



# **PARTS CATALOGUE**

# **XV1600AP (5JA9) AUSTRALIA**

---

**YAMAHA**  
**GENUINE**  
Parts & Accessories

2A5JA-700E1

CLICK HERE TO **DOWNLOAD** THE COMPLETE MANUAL

- Thank you very much for reading the preview of the manual.
- You can download the complete manual from: [www.heydownloads.com](http://www.heydownloads.com) by clicking the link below



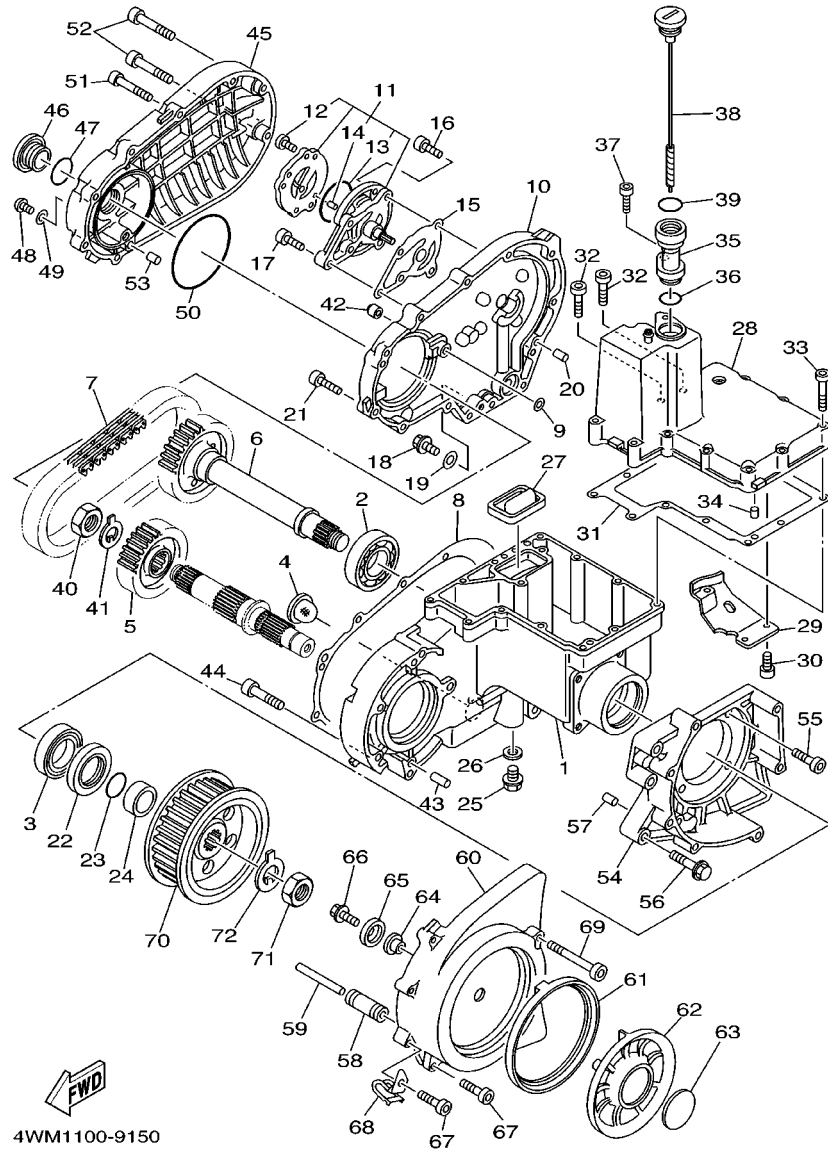
- Please note: If there is no response to CLICKING the link, please download this PDF first and then click on it.

CLICK HERE TO **DOWNLOAD** THE COMPLETE MANUAL





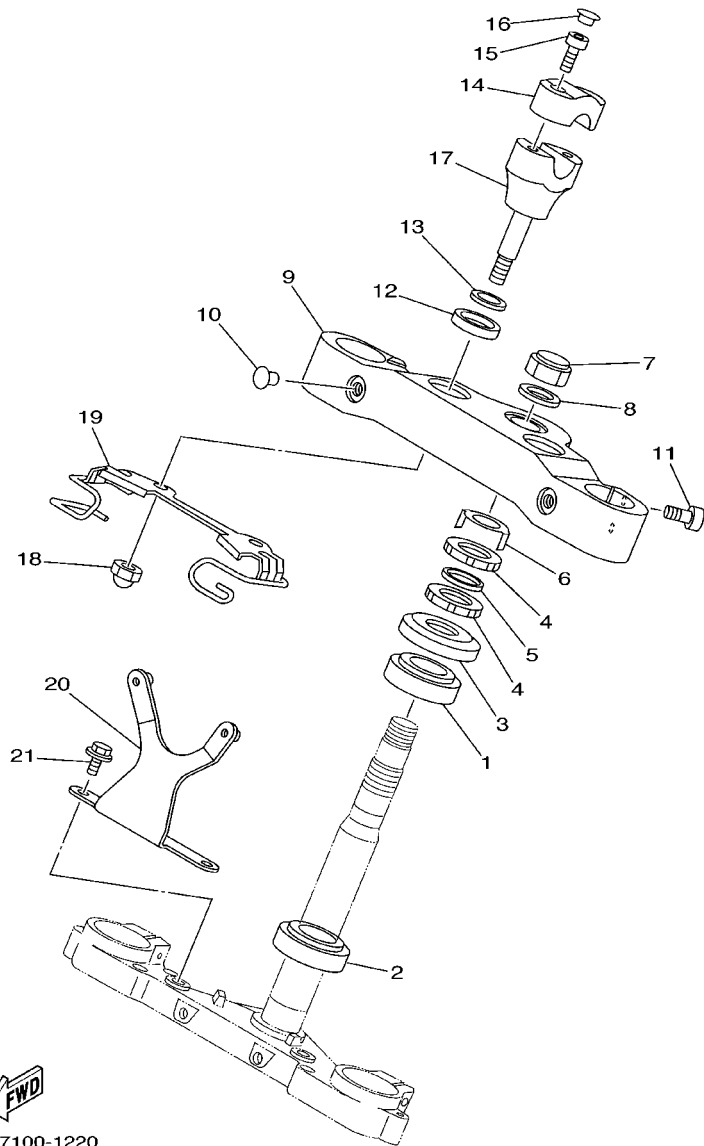
FIG. 15 MIDDLE DRIVE GEAR



4WM1100-9150

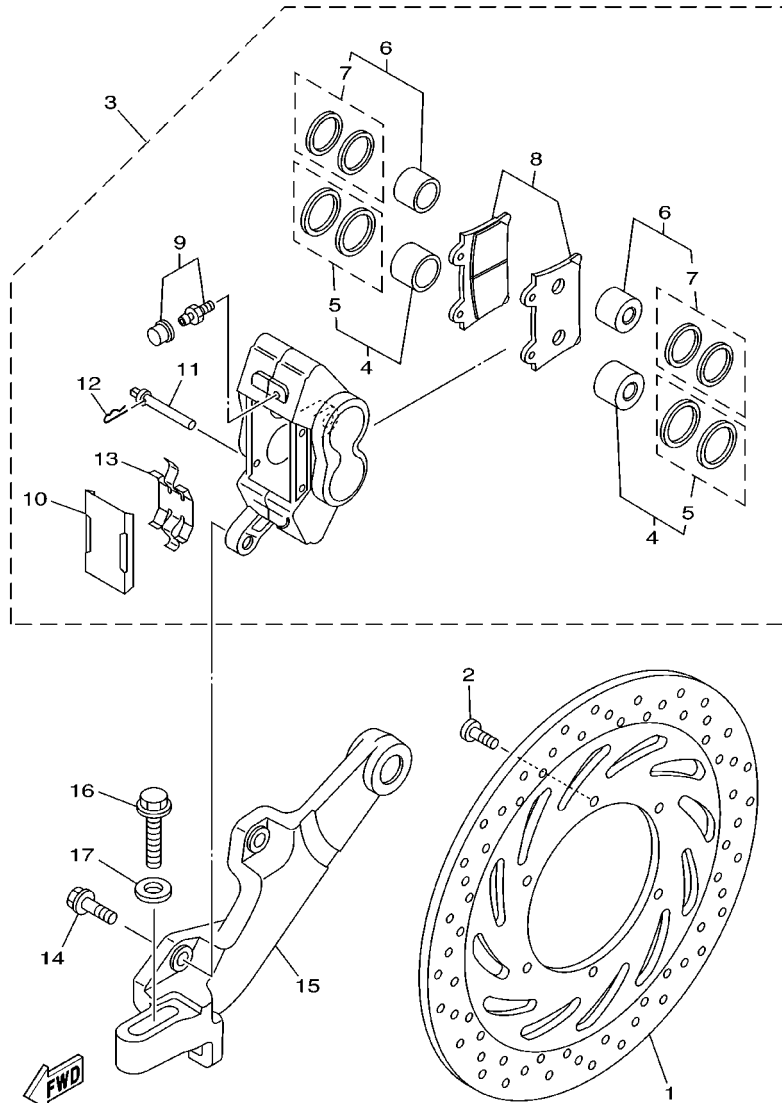
REF. NO.	PART NO.	DESCRIPTION	5JA9	REMARKS
55	91317-08030	BOLT	4	
56	95814-08050	BOLT, FLANGE	3	
57	99480-10018	PIN	2	
58	4WM-17653-00	SLIDER	2	
59	93606-76259	PIN, DOWEL	2	
60	4WM-17076-00	COVER	1	
61	4WM-15449-00	RING, RUBBER	1	
62	4WM-17665-01	PLATE 1	1	
63	4WM-17675-00	PLATE 2	1	
64	4H7-15486-00	GROMMET	1	
65	90209-06096	WASHER	1	
66	95807-06012	BOLT, FLANGE	1	
67	91314-06035	BOLT	5	
68	90462-06003	CLAMP	1	
69	90110-08002	BOLT, HEXAGON SOCKET HEAD	2	
70	4WM-17651-00	PULLEY, BELT	1	
71	90179-22698	NUT	1	
72	90215-30233	WASHER, LOCK	1	

FIG. 22 STEERING



REF. NO.	PART NO.	DESCRIPTION	5/JA9				REMARKS
1	93332-00001	BEARING	1				
2	93332-00008	BEARING	1				
3	1W1-23416-00	COVER, BALL RACE 2	1				
4	90179-25033	NUT	2				
5	90202-26142	WASHER, PLATE	1				
6	26H-23418-01	WASHER, SPECIAL	1				
7	90176-22081	NUT, CROWN	1				
8	90201-220T0	WASHER, PLATE	1				
9	4WM-W2341-00	CROWN, HANDLE	1				
10	4WM-23497-00	GROMMET	2				
11	91314-06030	BOLT	4				
12	3DM-23445-00	DAMPER	2				
13	90201-14220	WASHER, PLATE	2				
14	4VR-23441-00	HOLDER, HANDLE UPPER	2				
15	91314-08025	BOLT	4				
16	90338-08163	PLUG	4				
17	4VR-23442-00	HOLDER, HANDLE LOWER	2				
18	90176-12052	NUT, CROWN	2				
19	4WM-23389-00	GUIDE, CABLE	1				
20	4WM-23174-00	STAY, HEADLIGHT	1				
21	90105-06010	BOLT, FLANGE	2				

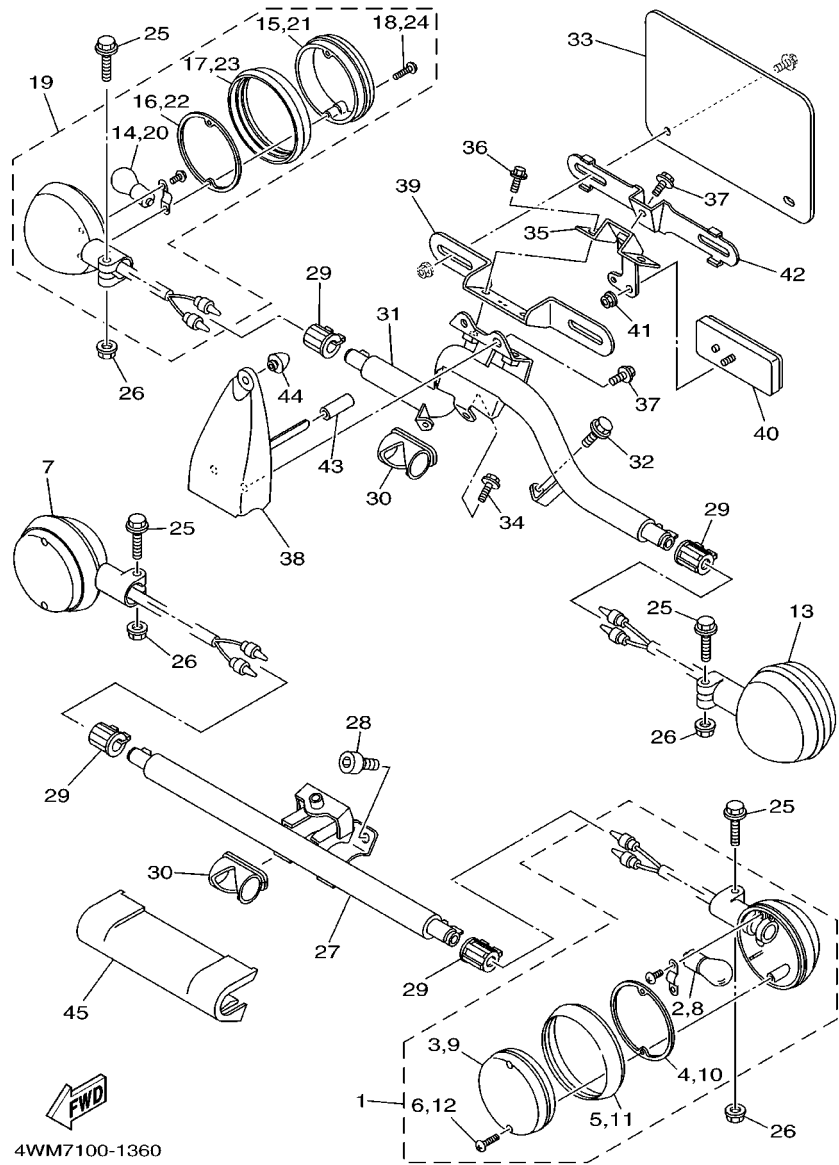
**FIG. 29 REAR BRAKE CALIPER**



4WM1100-9290

REF. NO.	PART NO.	DESCRIPTION	5JA9				REMARKS
1	4WM-2582W-00	DISC, REAR BRAKE 2	1				
2	90109-083G4	BOLT	6				
3	4WM-2580W-00	CALIPER ASSY, REAR 2	1				
4	1KT-W0057-00	.PISTON ASSY, CALIPER	1				
5	1KT-W0047-00	..CALIPER SEAL KIT	1				
6	4NK-W0057-00	.PISTON ASSY, CALIPER	1				
7	4NK-W0047-00	..CALIPER SEAL KIT	1				
8	4WM-W0046-00	.BRAKE PAD KIT 2	1				
9	1J3-W0048-00	.BLEED SCREW KIT	1				
10	1NL-25836-00	.COVER, DUST	1				
11	3HE-25924-00	.PIN, PAD	2				
12	3GM-25925-00	.CLIP	2				
13	1NL-25919-00	.SUPPORT, PAD	1				
14	90105-10638	BOLT, FLANGE	2				
15	4WM-25819-00	BRACKET, CALIPER	1				
16	95827-10050	BOLT, FLANGE	1				
17	90201-10140	WASHER, PLATE	1				

**FIG. 35 FLASHER LIGHT**



REF. NO.	PART NO.	DESCRIPTION	5JA9	REMARKS
28	91314-08016	BOLT	2	
29	4NK-83321-00	DAMPER, FLASHER 1	4	
30	4NK-83345-00	PLUG, BLIND	2	
31	5JA-2317W-20	STAY, 9	1	
32	95024-06012	BOLT, FLANGE	2	
33	4YU-8454F-00	APRON, NUMBER PLATE	1	
34	90119-06217	BOLT, WITH WASHER	1	
35	5JA-2113J-00	BRACKET, REFLECTOR 1	1	
36	95024-06012	BOLT, FLANGE	2	
37	95027-06010	BOLT, FLANGE	3	
38	5KS-84703-10	BRACKET	1	
39	5JA-84751-00	BRACKET, LICENSE	1	
40	3Y6-85130-02	REAR REFLECTOR ASSY	1	
41	95707-05500	NUT, FLANGE	1	
42	4WM-21685-10	BRACKET, LICENSE	1	
43	90446-07114	HOSE	1	
44	42U-21639-00	DAMPER 2	1	
45	4NK-23122-01	COVER, OUTER 1	1	

CLICK HERE TO **DOWNLOAD** THE COMPLETE MANUAL

- Thank you very much for reading the preview of the manual.
- You can download the complete manual from: [www.heydownloads.com](http://www.heydownloads.com) by clicking the link below



- Please note: If there is no response to CLICKING the link, please download this PDF first and then click on it.

CLICK HERE TO **DOWNLOAD** THE COMPLETE MANUAL