

Truck model  
 Carrello tipo  
 Chariot modele  
 Staplertyp  
 Tipo de carretilla  
 MT10-12-15  
 A867T1501U=>A867T1525Z

FIGURE	DESCRIPTION/DESCRIZIONE/DESIGNATION/BENENNUNG/DENOMINACIONES
FIGURE 1	LOAD WHEELS RUOTE DI CARICO ROUES DE CHARGEMENT BESCHICKUNGDR•DER RUEDAS DE CARGA
FIGURE 2	SIDE DRIVING ROLLERS RULLI LATERALI DI GUIDA ROULEAUX LAT•RAUX GUIDE SEITLICHE F•HRUNGSR•DER RODILLOS LATERALES DE GUIA
FIGURE 3	TRACTION GROUP GRUPPO TRAZIONE GROUPE DE TRACTION ANTRIEBSEINHEIT GRUPO TRACCION
FIGURE 4	REDUCTION UNIT RIDUTTORE REDUCTEUR GETRIEBEMOTOR MOTOREDUCTOR
FIGURE 5	TRACTION MOTOR MOTORE DI TRAZIONE MOTEUR DE TRACTION ZUGMOTOR MOTOR DE TRACCION
FIGURE 6	ELECTROMAGNETIC BRAKE FRENO ELETTROMAGNETICO FREIN •LECTROMAGNETIQUE ELEKTROMAGNETISCHE BREMSE FRENO ELECTROMAGN•TICO
FIGURE 7	STEERING MOTOR-POTENTIOMETER GROUP GRUPPO MOTORE STERZO-POTENZIOMETRO GROUPE MOTEUR DIRECTION-POTENTIOMETRE EINHEIT MOTOR LENKUNG-POTENTIOMETER GRUPO MOTOR MANUBRIO-POTENCIOMETRO
FIGURE 8	ELECTRIC STEERING GROUP GRUPPO STERZO ELETTRICO GROUPE DIRECTION •LECTRIQUE ELEKTROLENKUNGSGRUPPE GRUPO VOLANTE EL•CTRICO
FIGURE 9	RUDDER PEDALS ASS'Y ASSIEME PEDALIERA ENSEMBLE P•DALIER ACHSE DES FU•HEBELS EJE PEDALES

CLICK HERE TO **DOWNLOAD** THE COMPLETE MANUAL

- Thank you very much for reading the preview of the manual.
- You can download the complete manual from: [www.heydownloads.com](http://www.heydownloads.com) by clicking the link below



- Please note: If there is no response to CLICKING the link, please download this PDF first and then click on it.

CLICK HERE TO **DOWNLOAD** THE COMPLETE MANUAL

2	449022016	6	Lock washer	Rosetta elastica	Rondelle élastique	Federscheibe	Arandela elástica
3	273054400	1	OR Ring	Anello OR	Bague OR	O-Ring	Anillo Or
4	277141300	1	Drive wheel plate	Piastra motoruota	Support de roue motrice	Träger Motorrad	Soporte motorueda
5	580000325	2	Screw	Vite	Vis	Schraube	Tornillo
6	277128000	1	Kit retainer (right + left)	Kit fermi motoruota (destro + sinistro)	Kit arrêt de roue motrice (droite + gauche)	Satz-Feststellvorrichtung Motorrad (Recthe + Linke)	Kit sujetador motorueda (derecha + izquierda)
7	277207500	2	Axle	Perno	Axe	Stift	Perno
8	449001057	8	Screw	Vite	Vis	Schraube	Tornillo
9	449022020	8	Lock washer	Rosetta elastica	Rondelle élastique	Federscheibe	Arandela elástica
10	277828400	1	Protection	Protezione	Protection	Schutz	Protección
11	273054100	7	Nut and washer	Dado e rondella	Écrou et rondelle	Mutter und Unterlegscheibe	Tuerca y arandela
12	277058300	1	Polyurethane wheel (MT10-12)	Ruota in vulkollan (MT10-12)	Roue en vulkollan (MT10-12)	Adipren-Rad (MT10-12)	Rueda poliuretánica (MT10-12)
12	277219500	1	Polyurethane wheel (MT15)	Ruota in vulkollan (MT15)	Roue en vulkollan (MT15)	Adipren-Rad (MT15)	Rueda poliuretánica (MT15)
13	505966547	2	Screw	Vite	Vis	Schraube	Tornillo
14	449022021	2	Lock washer	Rosetta elastica	Rondelle élastique	Federscheibe	Arandela elástica

Item	Part N°	Q.ty	Description	Descrizione	Designation	Benennung	Denominaciones
1	277057000	1	Potentiometer	Potenziometro	Potentiomètre	Potentiometer	Potenciómetro
2	277224300	1	Potentiometer support	Supporto potenziometro	Support potentiomètre	Sockel für Potentiometer	Soporte potenciómetro
3	505974575	4	Screw	Vite	Vis	Schraube	Tornillo
4	277115200	1	Potentiometer anchor	Attacco potenziometro	Attaque potentiomètre	Anschluß Potentiometer	Enchufe potenciómetro
5	277115500	1	Motor pinion	Pignone motore	Pignon moteur	Motorritzel	Piñón motor
6	277444100	1	Chain ass'y	Ass. catena	Ens. chaine	Satz-Kette	Grupo cadena
7	277070200	3	Master link	Maglia di giunzione	Maine de jonction	Verbindungsglied	Malla de enlace
8	932201904	1	Screw	Vite	Vis	Schraube	Tornillo
9	277505400	1	Chain Anchor	Tendicatena	Tendeur de chaine	Kettenspanner	Estiracadena
10	449001015	4	Screw	Vite	Vis	Schraube	Tornillo
11	277269100	1	Switch support kit (right + left)	Kit supporto micro (destro+sinistro)	Kit support microinterrupteur (droite+gauche)	Lagersatz (Rechte+Linke)	Kit soporte microinterruptor (derecha+izquierda)
12	273050300	2	Switch	Microinterruttore	Microinterrupteur	Mikroschalter	Microinterruptor
13	449022013	4	Lock washer	Rosetta elastica	Rondelle élastique	Federscheibe	Arandela elástica
14	449021006	4	Washer	Rondella	Rondelle	Unterlegscheibe	Arandela
15	277258800	1	Dowel	Grano	Clavette	Stift	Espiga
16	277810200	1	Brushes + brushes holder kit	Kit spazzole + portaspazzole	Kit balais + porte balais	Satz-Bürste + Bürstenträger	Kit cepillos + portacepillos
17	277128100	1	Support	Supporto	Support	Lager	Soporte
18	277555700	1	Link	Maglia falsa	Maine fausse	Falsches Kettenglied	Malla falsa
19	277808200	1	Steering control unit	Motoriduttore sterzo elettrico	Motoreducteur direction électrique	Elektromotor Lenkung	Motor manubrio electrico
20	580008011	4	Screw	Vite	Vis	Schraube	Tornillo
21	449022019	4	Lock washer	Rosetta elastica	Rondelle élastique	Federscheibe	Arandela elástica
22	940004903	4	Washer	Rondella	Rondelle	Unterlegscheibe	Arandela
23	277431000	4	Nut	Dado	Écrou	Mutter	Tuerca
24	505966547	4	Screw	Vite	Vis	Schraube	Tornillo
25	449022021	4	Lock washer	Rosetta elastica	Rondelle élastique	Federscheibe	Arandela elástica
26	449021003	4	Washer	Rondella	Rondelle	Unterlegscheibe	Arandela

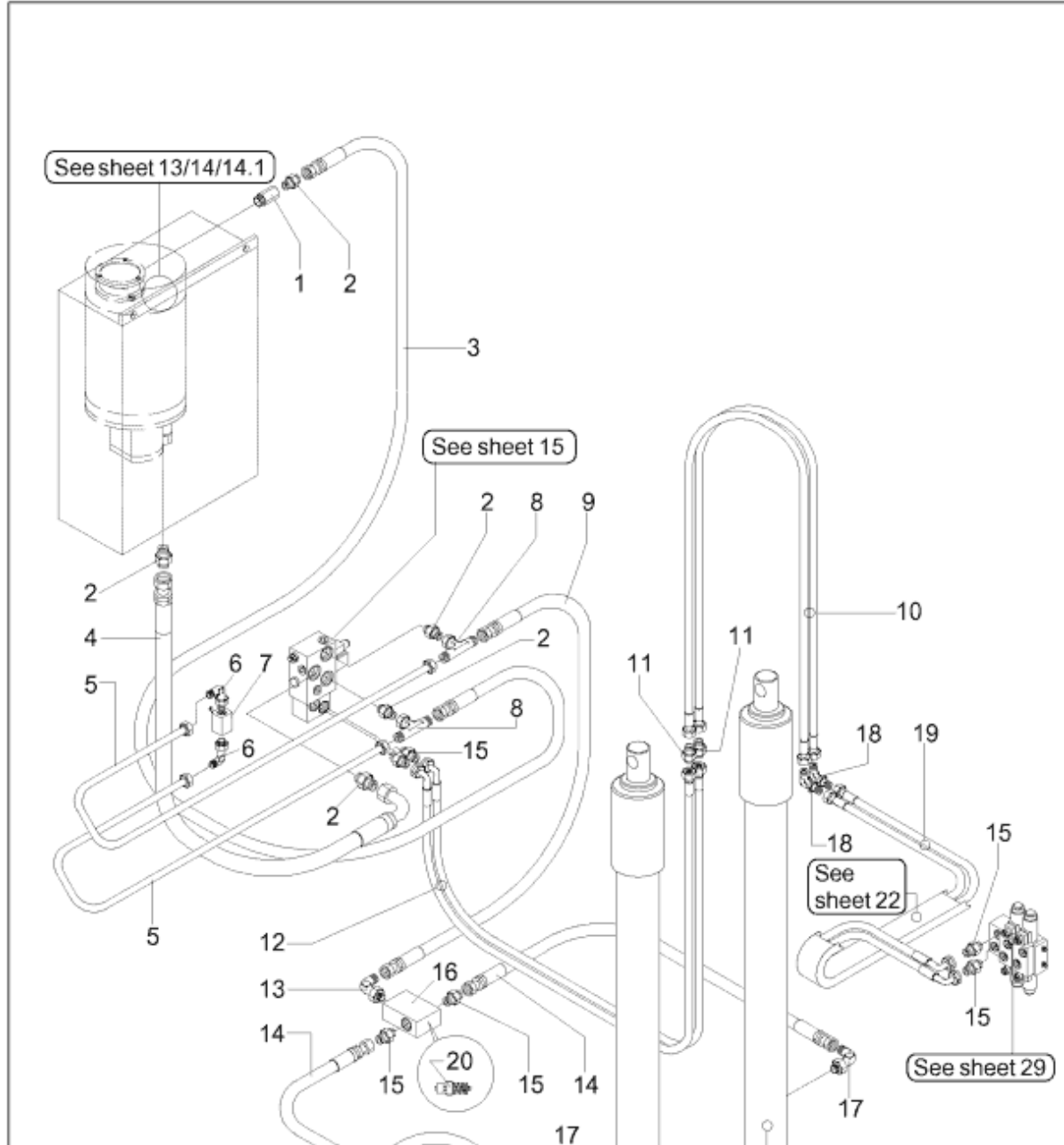


Truck model / Carrello tipo / Chariot modele / Staplertyp / Tipo de carretilla

**MT10-12-15**

LIFTING UNIT / GRUPPO SOLLEVAMENTO / GROUPE DE SOULEVEMENT /  
HEBE-GRUPPE / GRUPO ELEVACIÓN

SHEET 12



17	277228500	1	Plate	Plató porta spazzole	Plateau porte balais	Plateau Bürstenträger	Plato portacepillo
18	277173500	1	Ring	Anello	Bague	Ring	Anillo
19	277813700	8	Screw	Vite	Vis	Schraube	Tornillo
20	277179700	1	Housing	Carcassa	Carcasse	Rahmen	Carcasa
21	277228700	1	Key	Chiavetta	Clavette	Wellenstift	Chaveta
22	580012179	8	Screw	Vite	Vis	Schraube	Tornillo
23	277057400	2	Oil Seal	Paraolio	Joint	Dichtung	Guarnición
24	273087300	1	Snap ring	Seeger	Arretoi	Seeger	Anillo Seeger
25	277057500	1	Bearing	Cuscinetto	Roulement	Lager	Cojinete
26	273087200	1	Snap ring	Seeger	Arretoi	Seeger	Anillo Seeger
27	277175100	1	Armature	Indotto elettropompa	Induit électropompe	Anker Elektropumpe	Inductor electrobomba
28	277057600	1	Bearing	Cuscinetto	Roulement	Lager	Cojinete
29	277354300	8	Brush	Spazzola	Balai	Bürste	Cepillo
30	449021003	8	Washer	Rondella	Rondelle	Unterlegscheibe	Arandela
31	277143200	8	Screw	Vite	Vis	Schraube	Tornillo
32	277179600	1	Field coil	Campo elettropompe	Champ électropompa	Feld Elektropumpe	Campo electrobomba
33	277334100	1	Sensor	Sensore termico	Capteur thermique	Sensor	Sensor térmico
34	277186600	1	Pump	Pompa	Pompe	Pumpe	Bomba
35	277354200	1	Lifting motor ass'y	Ass. motore di sollevamento	Ens. moteur de soulevement	Hebemotor	Grupo motor de elevación
36	277833600	1	Seal kit	Kit guarnizioni	Kit joint	Dichtungssatz	Kit de guarniciones

CLICK HERE TO **DOWNLOAD** THE COMPLETE MANUAL

- Thank you very much for reading the preview of the manual.
- You can download the complete manual from: [www.heydownloads.com](http://www.heydownloads.com) by clicking the link below



- Please note: If there is no response to CLICKING the link, please download this PDF first and then click on it.

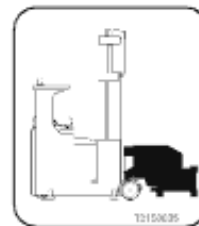
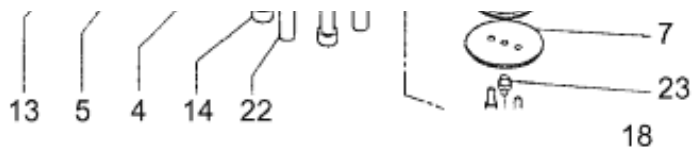
CLICK HERE TO **DOWNLOAD** THE COMPLETE MANUAL

12	277056400	1	Fuse 6.3A	Fusibile 6.3A	Fusible 6.3A	Sicherung 6.3A	Fusible 6.3A
13	277316300	1	EPS control assembly	Ass. scheda controllo sterzo	Ens. carte de contrôle direction	Einheit Steuerkarte	Grupo tarjeta control manubrio
★13	277316200	1	EPS + wire guidance control assembly 6.25 KHZ-78mA	Ass. scheda controllo sterzo filoguidato 6.25 KHZ-78mA	Ens. carte de contrôle direction guide-fil 6.25 KHZ-78mA	Einheit Steuerkarte lenksystem 6.25 KHZ-78mA	Grupo tarjeta control manubrio guia-hilos 6.25 KHZ-78mA
★13	277466900	1	EPS + wire guidance control assembly 5.2 KHZ-35mA	Ass. scheda controllo sterzo filoguidato 5.2 KHZ-35mA	Ens. carte de contrôle direction guide-fil 5.2 KHZ-35mA	Einheit Steuerkarte lenksystem 5.2 KHZ-35mA	Grupo tarjeta control manubrio control manubrio 5.2 KHZ-35mA
14	277341100	1	Proportional valve control electr. unit	Apparecchiatura elettr. controllo valvola proporzionale	Appareillage électrique contrôle soupape réglage de flux	Elektronische Durchflußregelsteuerungseinrichtung	Instalación electron. control válvula proporcional
★15	277593400	1	Resistor	Resistenza	Resistance	Widerstand	Resistencia
16	273032300	3	Fuse-holder	Portafusibile	Porte-fusible	Sicherungshalter	Portafusibile
17	277855800	1	Support	Supporto	Support	Lager	Soporte
18	277340800	1	Electronic panel	Apparecchiatura elettronica	Appareillage électronique	Elektronic	Equipo electrónico
19	932200907	2	Screw	Vite	Vis	Schraube	Tornillo
20	449021003	4	Washer	Rondella	Rondelle	Unterlegscheibe	Arandela
21	449015135	2	Nut	Dado	Ecrou	Mutter	Tuerca
22	932200904	2	Screw	Vite	Vis	Schraube	Tornillo
23	449022018	2	Lock washer	Rosetta elastica	Rondelle souple	Federring	Arandela elástica
24	449021003	2	Washer	Rondella	Rondelle	Unterlegscheibe	Arandela
25	932201905	3	Screw	Vite	Vis	Schraube	Tornillo
26	449022016	3	Lock washer	Rosetta elastica	Rondelle souple	Federring	Arandela elástica
27	449021001	6	Washer	Rondella	Rondelle	Unterlegscheibe	Arandela
★28	580006764	2	Screw	Vite	Vis	Schraube	Tornillo
★29	449022019	2	Lock washer	Rosetta elastica	Rondelle souple	Federring	Arandela elástica
30	277775600	5	Insulator	Isolatore	Isolateur	Isolator	Aislante
31	277568100	8	Connector (12 poles-male)	Connettore (12 poli-maschio)	Connecteur	Verbinder	Conector
32	277568200	1	Connector (12 poles-female)	Connettore (12 poli-femmina)	Connecteur	Verbinder	Conector
33	277568300	6	Connector (6 poles-male)	Connettore (6 poli-maschio)	Connecteur	Verbinder	Conector
34	277568400	1	Connector (6 poles-female)	Connettore (6 poli-femmina)	Connecteur	Verbinder	Conector
35	277747600	18	Crimp on pin terminals	Capicorda	Creux	Verbindungsklemme	Terminal
36	277747500	18	Crimp on pin terminals	Capicorda	Creux	Verbindungsklemme	Terminal
37	277369700	1	Fuse 32A	Fusibile 32A	Fusible 32A	Sicherung 32A	Fusible 32A
38	277509800	1	Connector (18 ways)	Connettore (18 vie)	Connecteur (18 voies)	Verbinder (18 wegig)	Conector (18 vias)
39	277509600	1	Connector (17 ways)	Connettore (17 vie)	Connecteur (17 voies)	Verbinder (17 wegig)	Conector (17 vias)
40	277369800	1	Fuse 3A	Fusibile 3A	Fusible 3A	Sicherung 3A	Fusible 3A
★41	277369900	1	Trolley-wire card 6.25 KHZ-78mA	Scheda elaborazione antenne 6.25 KHZ-78mA	Carte 6.25 KHZ-78mA	Karte 6.25 KHZ-78mA	Ficha 6.25 KHZ-78mA
★41	277466700	1	Trolley-wire card 5.2 KHZ-35mA	Scheda elaborazione antenne 5.2 KHZ-35mA	Carte 5.2 KHZ-35mA	Karte 5.2 KHZ-35mA	Ficha 5.2 KHZ-35mA
42	277509700	1	Connector (11 ways)	Connettore (11 vie)	Connecteur (11 voies)	Verbinder (11 wegig)	Conector (11 vias)
43	277384300	1	Connector	Connettore	Connecteur	Verbinder	Conector
44	277369600	1	Microprocessor	Microprocessore	Microprocesseur	Mikroprozessor	Microprocesador
45	277855900	1	Wired cable (P-)	Cavo cablato (P-)	Fil câblé (P-)	Verkabelter (P-)	Cable cablado (P-)
46	277856000	1	Wired cable (P+)	Cavo cablato (P+)	Fil câblé (P+)	Verkabelter (P+)	Cable cablado (P+)
47	277856100	1	Wired cable (PEM)	Cavo cablato (PEM)	Fil câblé (PEM)	Verkabelter (PEM)	Cable cablado (PEM)
48	277856200	1	Wired cable (M1)	Cavo cablato (M1)	Fil câblé (M1)	Verkabelter (M1)	Cable cablado (M1)
49	277856300	1	Wired cable (M2)	Cavo cablato (M2)	Fil câblé (M2)	Verkabelter (M2)	Cable cablado (M2)
50	277856400	1	Wired cable (M3)	Cavo cablato (M3)	Fil câblé (M3)	Verkabelter (M3)	Cable cablado (M3)
51	277856500	1	Wired cable (M4)	Cavo cablato (M4)	Fil câblé (M4)	Verkabelter (M4)	Cable cablado (M4)

★ Option / Optional / Optionnel / Wahlfrei / Opcional



Item	Part N°.	Q.ty	Description	Descrizione	Designation	Benennung	Denominaciones
1	277823800	1	Flat cable (MT10-12 lift height m4.0)	Cavo piatto (MT10-12 sollev. m4.0)	Câble plat (MT10-12 levée m4.0)	Flachkabel (MT10-12 Heben m4.0)	Cable aplanado (MT10-12 elev. m4.0)
1	277823900	1	Flat cable (MT10-12 lift height m4.5)	Cavo piatto (MT10-12 sollev. m4.5)	Câble plat (MT10-12 levée m4.5)	Flachkabel (MT10-12 Heben m4.5)	Cable aplanado (MT10-12 elev. m4.5)
1	277824000	1	Flat cable (MT10-12 lift height m5.0)	Cavo piatto (MT10-12 sollev. m5.0)	Câble plat (MT10-12 levée m5.0)	Flachkabel (MT10-12 Heben m5.0)	Cable aplanado (MT10-12 elev. m5.0)
1	277824100	1	Flat cable (MT10-12 lift height m5.5)	Cavo piatto (MT10-12 sollev. m5.5)	Câble plat (MT10-12 levée m5.5)	Flachkabel (MT10-12 Heben m5.5)	Cable aplanado (MT10-12 elev. m5.5)
1	277824200	1	Flat cable (MT10-12 lift height m6.0)	Cavo piatto (MT10-12 sollev. m6.0)	Câble plat (MT10-12 levée m6.0)	Flachkabel (MT10-12 Heben m6.0)	Cable aplanado (MT10-12 elev. m6.0)
1	277824300	1	Flat cable (MT10-12 lift height m6.5)	Cavo piatto (MT10-12 sollev. m6.5)	Câble plat (MT10-12 levée m6.5)	Flachkabel (MT10-12 Heben m6.5)	Cable aplanado (MT10-12 elev. m6.5)
1	277824400	1	Flat cable (MT10-12 lift height m7.0)	Cavo piatto (MT10-12 sollev. m7.0)	Câble plat (MT10-12 levée m7.0)	Flachkabel (MT10-12 Heben m7.0)	Cable aplanado (MT10-12 elev. m7.0)
1	277824500	1	Flat cable (MT10-12 lift height m7.5)	Cavo piatto (MT10-12 sollev. m7.5)	Câble plat (MT10-12 levée m7.5)	Flachkabel (MT10-12 Heben m7.5)	Cable aplanado (MT10-12 elev. m7.5)
1	277824600	1	Flat cable (MT10-12 lift height m8.0)	Cavo piatto (MT10-12 sollev. m8.0)	Câble plat (MT10-12 levée m8.0)	Flachkabel (MT10-12 Heben m8.0)	Cable aplanado (MT10-12 elev. m8.0)
1	277824700	1	Flat cable (MT10-12 lift height m8.5)	Cavo piatto (MT10-12 sollev. m8.5)	Câble plat (MT10-12 levée m8.5)	Flachkabel (MT10-12 Heben m8.5)	Cable aplanado (MT10-12 elev. m8.5)
1	277824800	1	Flat cable (MT15 lift height m4.0)	Cavo piatto (MT15 sollev. m4.0)	Câble plat (MT15 levée m4.0)	Flachkabel (MT15 Heben m4.0)	Cable aplanado (MT15 elev. m4.0)
1	277824900	1	Flat cable (MT15 lift height m4.5)	Cavo piatto (MT15 sollev. m4.5)	Câble plat (MT15 levée m4.5)	Flachkabel (MT15 Heben m4.5)	Cable aplanado (MT15 elev. m4.5)
1	277825000	1	Flat cable (MT15 lift height m5.0)	Cavo piatto (MT15 sollev. m5.0)	Câble plat (MT15 levée m5.0)	Flachkabel (MT15 Heben m5.0)	Cable aplanado (MT15 elev. m5.0)
1	277825100	1	Flat cable (MT15 lift height m5.5)	Cavo piatto (MT15 sollev. m5.5)	Câble plat (MT15 levée m5.5)	Flachkabel (MT15 Heben m5.5)	Cable aplanado (MT15 elev. m5.5)
1	277825200	1	Flat cable (MT15 lift height m6.0)	Cavo piatto (MT15 sollev. m6.0)	Câble plat (MT15 levée m6.0)	Flachkabel (MT15 Heben m6.0)	Cable aplanado (MT15 elev. m6.0)
1	277825300	1	Flat cable (MT15 lift height m6.5)	Cavo piatto (MT15 sollev. m6.5)	Câble plat (MT15 levée m6.5)	Flachkabel (MT15 Heben m6.5)	Cable aplanado (MT15 elev. m6.5)
1	277825400	1	Flat cable (MT15 lift height m7.0)	Cavo piatto (MT15 sollev. m7.0)	Câble plat (MT15 levée m7.0)	Flachkabel (MT15 Heben m7.0)	Cable aplanado (MT15 elev. m7.0)
1	277825500	1	Flat cable (MT15 lift height m7.5)	Cavo piatto (MT15 sollev. m7.5)	Câble plat (MT15 levée m7.5)	Flachkabel (MT15 Heben m7.5)	Cable aplanado (MT15 elev. m7.5)
1	277825600	1	Flat cable (MT15 lift height m8.0)	Cavo piatto (MT15 sollev. m8.0)	Câble plat (MT15 levée m8.0)	Flachkabel (MT15 Heben m8.0)	Cable aplanado (MT15 elev. m8.0)
1	277825700	1	Flat cable (MT15 lift height m8.5)	Cavo piatto (MT15 sollev. m8.5)	Câble plat (MT15 levée m8.5)	Flachkabel (MT15 Heben m8.5)	Cable aplanado (MT15 elev. m8.5)
2	277814500	2	Chain (MT10-12 lift height m4.0)	Catena (MT10-12 sollev. m4.0)	Chaîne (MT10-12 levée m4.0)	Kette (MT10-12 Heben m4.0)	Cadena (MT10-12 elev. m4.0)
2	277814600	2	Chain (MT10-12 lift height m4.5)	Catena (MT10-12 sollev. m4.5)	Chaîne (MT10-12 levée m4.5)	Kette (MT10-12 Heben m4.5)	Cadena (MT10-12 elev. m4.5)
2	277814700	2	Chain (MT10-12 lift height m5.0)	Catena (MT10-12 sollev. m5.0)	Chaîne (MT10-12 levée m5.0)	Kette (MT10-12 Heben m5.0)	Cadena (MT10-12 elev. m5.0)
2	277442600	2	Chain (MT10-12 lift height m5.5)	Catena (MT10-12 sollev. m5.5)	Chaîne (MT10-12 levée m5.5)	Kette (MT10-12 Heben m4.5)	Cadena (MT10-12 elev. m5.5)
2	277814800	2	Chain (MT10-12 lift height m6.0)	Catena (MT10-12 sollev. m6.0)	Chaîne (MT10-12 levée m6.0)	Kette (MT10-12 Heben m6.0)	Cadena (MT10-12 elev. m6.0)
2	277814400	2	Chain (MT10-12 lift height m6.5)	Catena (MT10-12 sollev. m6.5)	Chaîne (MT10-12 levée m6.5)	Kette (MT10-12 Heben m6.5)	Cadena (MT10-12 elev. m6.5)
2	277814900	2	Chain (MT10-12 lift height m7.0)	Catena (MT10-12 sollev. m7.0)	Chaîne (MT10-12 levée m7.0)	Kette (MT10-12 Heben m7.0)	Cadena (MT10-12 elev. m7.0)
2	277815000	2	Chain (MT10-12 lift height m7.5)	Catena (MT10-12 sollev. m7.5)	Chaîne (MT10-12 levée m7.5)	Kette (MT10-12 Heben m7.5)	Cadena (MT10-12 elev. m7.5)
2	277815100	2	Chain (MT10-12 lift height m8.0)	Catena (MT10-12 sollev. m8.0)	Chaîne (MT10-12 levée m8.0)	Kette (MT10-12 Heben m8.0)	Cadena (MT10-12 elev. m8.0)
2	277815200	2	Chain (MT10-12 lift height m8.5)	Catena (MT10-12 sollev. m8.5)	Chaîne (MT10-12 levée m8.5)	Kette (MT10-12 Heben m8.5)	Cadena (MT10-12 elev. m8.5)
2	277445200	2	Chain (MT15 lift height m4.0)	Catena (MT15 sollev. m4.0)	Chaîne (MT15 levée m4.0)	Kette (MT15 Heben m4.0)	Cadena (MT15 elev. m4.0)
2	277399000	2	Chain (MT15 lift height m4.5)	Catena (MT15 sollev. m4.5)	Chaîne (MT15 levée m4.5)	Kette (MT15 Heben m4.5)	Cadena (MT15 elev. m4.5)
2	277445400	2	Chain (MT15 lift height m5.0)	Catena (MT15 sollev. m5.0)	Chaîne (MT15 levée m5.0)	Kette (MT15 Heben m5.0)	Cadena (MT15 elev. m5.0)



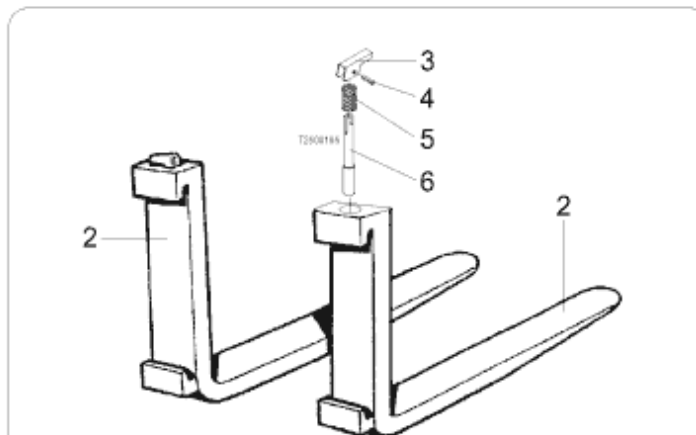
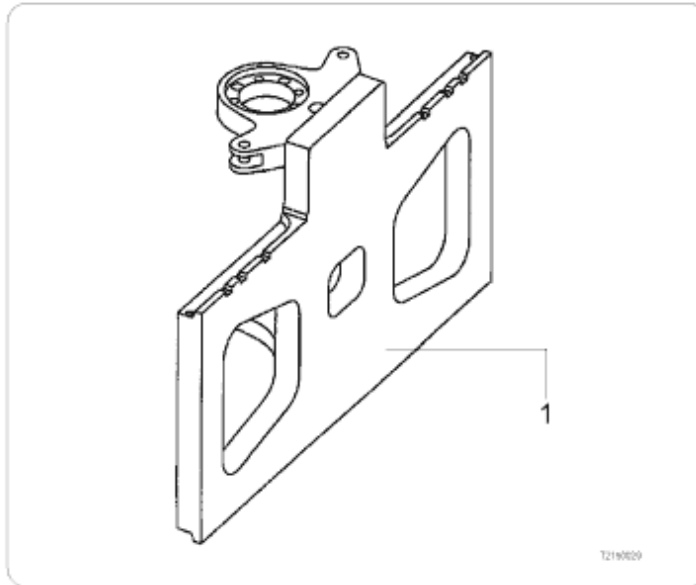
Item	Part N°.	Q.ty	Description	Descrizione	Designation	Benennung	Denominaciones
1	277244900	1	Adjustment chain	Attacco catena	Attelage chaîne	Kettenverschluß	Conexión cadena
2	277245000	2	Adjustment chain	Attacco catena	Attelage chaîne	Kettenverschluß	Conexión cadena
3	277245100	1	Cylinder support	Supporto cilindro	Support cylindre	Zylinderlager	Soporte cilindro
4	277245200	1	Flange	Flangia	Bride	Flansch	Brida
5	277245300	2	Antifriction washer	Rondella antifrizione	Rondelle antifriction	friktionsichere Federscheibe	Arandela
6	277245400	1	Rotation shaft	Albero di rotazione	Arbre de rotation	Rotationswelle	Álbor de rotación
7	277245500	1	Rotation shaft washer	Rondella albero di rotazione	Rondelle arbre de rotation	Scheibe von Rotationswelle	Arandella álbor de rotación
8	277245600	1	Rotation chain right	Catena rotazione destra	Chaîne de rotation droite	Rotationskette-Rechte	Cadena de rotación derecha
9	277245600	1	Rotation chain left	Catena rotazione sinistra	Chaîne de rotation gauche	Rotationskette-Linke	Cadena de rotación izquierda
10	277838300	1	Rotation carter left	Carter rotazione sinistro	Enveloppe de rotation gauche	Rotationgehäuse-Linke	Cárter rotación izquierda
11	277247100	1	Washer	Rondella	Rondelle	Scheibe	Arandela
12	277838700	1	Rotation carter right	Carter rotazione destro	Enveloppe de rotation droite	Rotationgehäuse-Rechte	Cárter rotación derecha
13	277245900	2	Bushing	Boccola	Douille	Büchse	Castillo
14	277246000	4	Screw	Vite	Vis	Schraube	Tornillo
15	277838400	4	Screw	Vite	Vis	Schraube	Tornillo
16	277246200	1	Screw	Vite	Vis	Schraube	Tornillo
17	277240000	4	Screw	Vite	Vis	Schraube	Tornillo
18	277246300	2	Screw	Vite	Vis	Schraube	Tornillo
19	277246400	6	Screw	Vite	Vis	Schraube	Tornillo
20	277838500	2	Tongue	Linguetta	Languette	Federkeil	Lengüeda



Truck model / Carrello tipo / Chariot modele / Staplertyp / Tipo de carretilla **MT10-12-15**

FORK CARRIAGE WITH FORKS / PIASTRA PORTA FORCHE CON FORCHE /  
PLAQUE PORTE-FOURCHES AVEC FOURCHES / GABELHALTERSPLATTE MIT GABELN /  
PLANCHA PORTE HORQUILLAS Y HORQUILLAS

SHEET 30



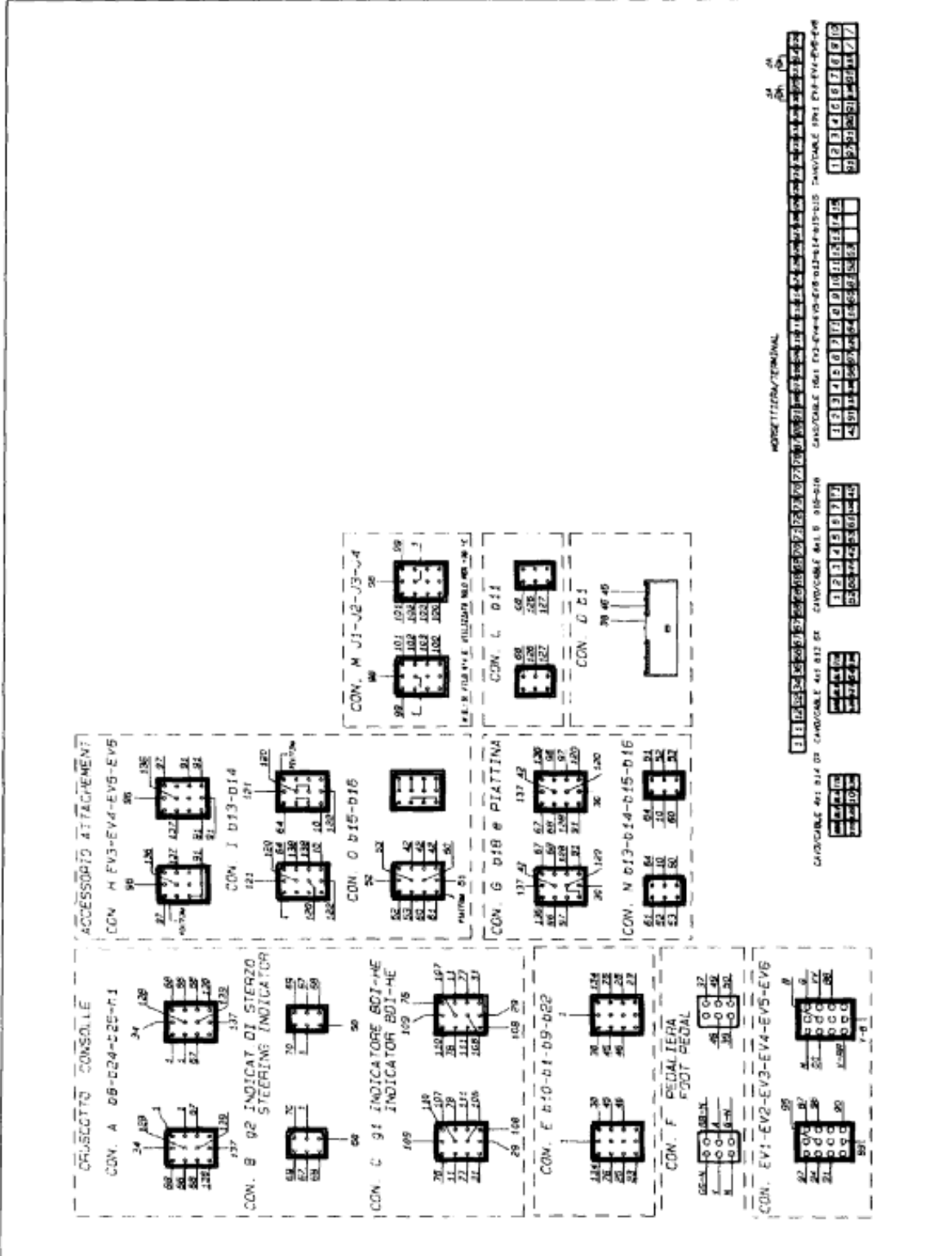


Truck model / Carrello tipo / Chariot modele / Staplertyp / Tipo de carretilla

MT10-12-15

ELECTRONIC DIAGRAM / SCHEMA ELETTRONICO / SCHÉMA ÉLECTRONIQUE / ELEKTRONIKSCHALTERPLAN / ESQUEMA ELECTRONICO

SHEET 32.3

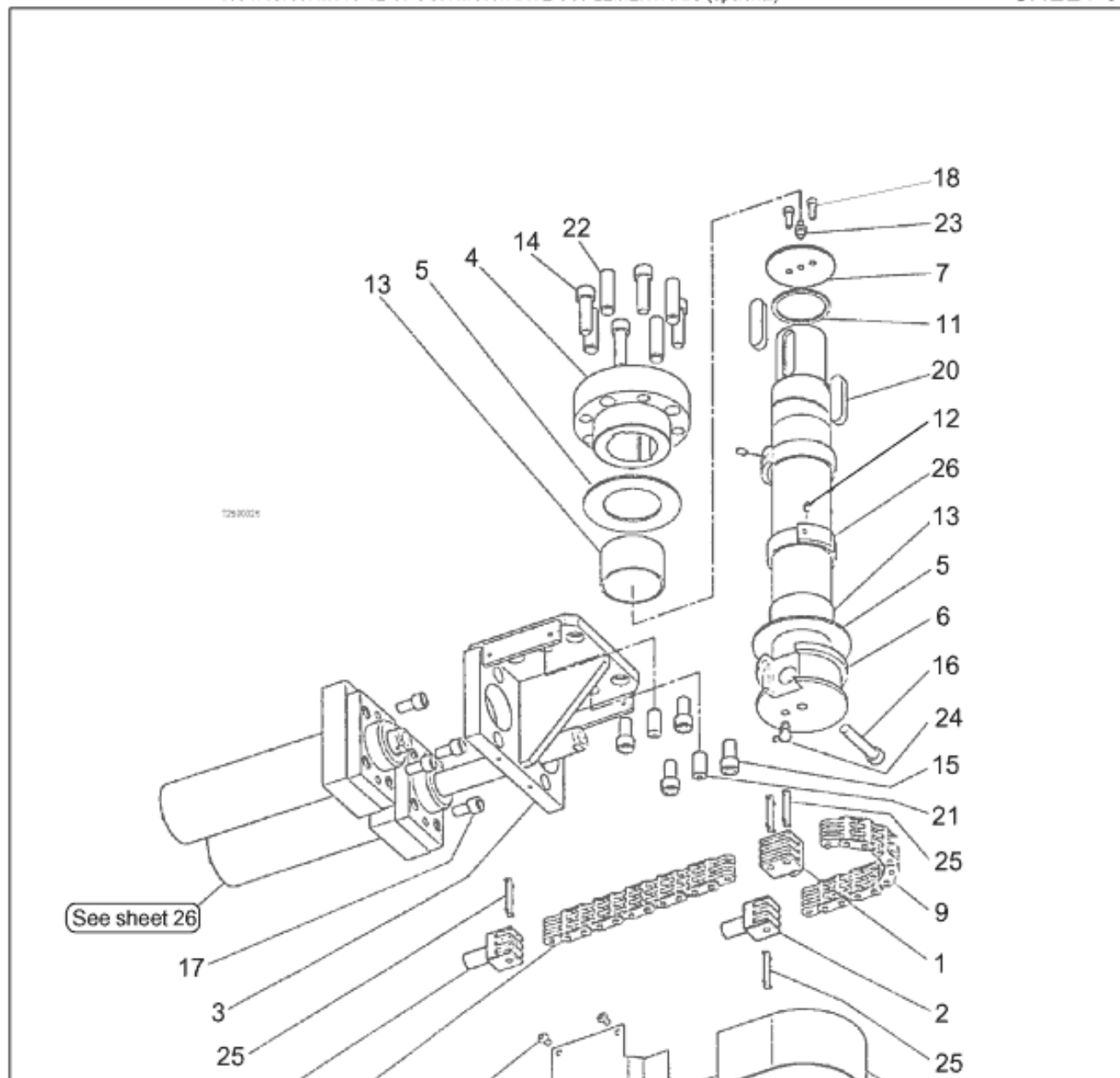




Truck model / Carrello tipo / Chariot modele / Staplertyp / Tipo de carretilla **MT10-12-15**

ROTATOR MT10-12-15 WITH AUXILIARY LIFT MAST (option) /  
 ROTAZIONE MT10-12-15 CON MONTANTE SUPPLEMENTARE (optional) /  
 ROTATION MT10-12-15 AVEC MONTANT SUPPLÉMENTAIRE (optionnel) /  
 ROTATION MT10-12-15 MIT ZUSATZ-PFOSTEN (wahlfrei) /  
 ROTACIÓN MT10-12-15 CON MONTANTE SUPLEMENTARIO (opcional)

SHEET 36



CLICK HERE TO **DOWNLOAD** THE COMPLETE MANUAL

- Thank you very much for reading the preview of the manual.
- You can download the complete manual from: [www.heydownloads.com](http://www.heydownloads.com) by clicking the link below



- Please note: If there is no response to CLICKING the link, please download this PDF first and then click on it.

CLICK HERE TO **DOWNLOAD** THE COMPLETE MANUAL