

Truck model
Carrello tipo
Chariot modele
Staplertyp
Tipo de carretilla
MT10-12-15
A867T01526Z

FIGURE	DESCRIPTION/DESCRIZIONE/DESIGNATION/BENENNUNG/DENOMINACIONES
FIGURE 1	LOAD WHEELS RUOTE DI CARICO ROUES DE CHARGEMENT BESCHICKUNGDR•DER RUEDAS DE CARGA (PART SHEET 1) (From serial N• / Da matr. / Du matr. / Ab. seriennummer / Desde la matr.: A867T01511W)
FIGURE 2	SIDE DRIVING ROLLERS RULLI LATERALI DI GUIDA ROULEAUX LAT•RAUX GUIDE SEITLICHE F•HRUNGSR•DER RODILLOS LATERALES DE GUIA (PART SHEET 2) (From serial N• / Da matr. / Du matr. / Ab. seriennummer / Desde la matr.: A867T01511W)
FIGURE 3	TRACTION GROUP GRUPPO TRAZIONE GROUPE DE TRACTION ANTRIEBSEINHEIT GRUPO TRACCION (PART SHEET 3) (From serial N• / Da matr. / Du matr. / Ab. seriennummer / Desde la matr.: A867T01511W)
FIGURE 4	REDUCTION UNIT RIDUTTORE REDUCTEUR GETRIEBEMOTOR MOTOREDUCTOR (PART SHEET 4) (From serial N• / Da matr. / Du matr. / Ab. seriennummer / Desde la matr.: A867T01511W)
FIGURE 5	TRACTION MOTOR MOTORE DI TRAZIONE MOTEUR DE TRACTION ZUGMOTOR MOTOR DE TRACCION (PART SHEET 5) (From serial N• / Da matr. / Du matr. / Ab. seriennummer / Desde la matr.: A867T01511W)
FIGURE 6	ELECTROMAGNETIC BRAKE FRENO ELETTROMAGNETICO FREIN •LECTROMAGNETIQUE ELEKTROMAGNETISCHE BREMSE FRENO ELECTROMAGN•TICO (PART SHEET 6) (From serial N• / Da matr. / Du matr. / Ab. seriennummer / Desde la matr.: A867T01511W)
FIGURE 7	STEERING MOTOR-POTENTIOMETER GROUP GRUPPO MOTORE STERZO-POTENZIOMETRO GROUPE MOTEUR DIRECTION-POTENTIOMETRE EINHEIT MOTOR LENKUNG-POTENTIOMETER GRUPO MOTOR MANUBRIO-POTENCIOMETRO (PART SHEET 7) (From serial N• / Da matr. / Du matr. / Ab. seriennummer / Desde la matr.: A867T01511W)
FIGURE 8	ELECTRIC STEERING GROUP GRUPPO STERZO ELETTRICO GROUPE DIRECTION •LECTRIQUE ELEKTROLENKUNGSGRUPPE GRUPO VOLANTE EL•CTRICO (PART SHEET 8) (From serial N• / Da matr. / Du matr. / Ab. seriennummer / Desde la matr.: A867T01511W)
FIGURE 9	RUDDER PEDALS ASS'Y ASSIEME PEDALIERA ENSEMBLE P•DALIER ACHSE DES FU•HEBELS EJE PEDALES (PART SHEET 9) (From serial N• / Da matr. / Du matr. / Ab. seriennummer / Desde la matr.: A867T01511W)

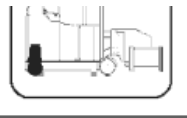
CLICK HERE TO **DOWNLOAD** THE COMPLETE MANUAL

- Thank you very much for reading the preview of the manual.
- You can download the complete manual from: www.heydownloads.com by clicking the link below

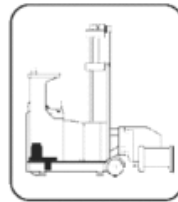


- Please note: If there is no response to CLICKING the link, please download this PDF first and then click on it.

CLICK HERE TO **DOWNLOAD** THE COMPLETE MANUAL



REF.	PART NO.	Q.TY	DESCRIPTION	DESCRIZIONE	DESIGNATION	BENENNUNG	DENOMINACIONES
1	932201905	6	Screw	Vite	Vis	Schraube	Tornillo
2	449022016	6	Lock washer	Rosetta elastica	Rondelle élastique	Federscheibe	Arandela elástica
3	273054400	1	OR Ring	Anello OR	Bague OR	O-Ring	Anillo Or
4	277141300	1	Drive wheel plate	Piastra motoruota	Support de roue motrice	Träger Motorrad	Soporte motorueda
5	580000325	2	Screw	Vite	Vis	Schraube	Tornillo
6	277128000	1	Kit retainer (right + left)	Kit fermi motoruota (destro + sinistro)	Kit arrêt de roue motrice (droite + gauche)	Satz-Feststellvorrichtung Motorrad (Recthe + Linke)	Kit sujetador motorueda (derecha + izquierda)
7	277207500	2	Axle	Perno	Axe	Stift	Perno
8	449001057	8	Screw	Vite	Vis	Schraube	Tornillo
9	449022020	8	Lock washer	Rosetta elastica	Rondelle élastique	Federscheibe	Arandela elástica
10	277828400	1	Protection	Protezione	Protection	Schutz	Protección
11	273054100	7	Nut and washer	Dado e rondella	Écrou et rondelle	Mutter und Unterlegscheibe	Tuerca y arandela
12	277058300	1	Polyurethane wheel (MT10-12)	Ruota in vulkollan (MT10-12)	Roue en vulkollan (MT10-12)	Adipren-Rad (MT10-12)	Rueda poliuretánica (MT10-12)
12	277219500	1	Polyurethane wheel (MT15)	Ruota in vulkollan (MT15)	Roue en vulkollan (MT15)	Adipren-Rad (MT15)	Rueda poliuretánica (MT15)
13	505966547	2	Screw	Vite	Vis	Schraube	Tornillo
14	449022021	2	Lock washer	Rosetta elastica	Rondelle élastique	Federscheibe	Arandela elástica



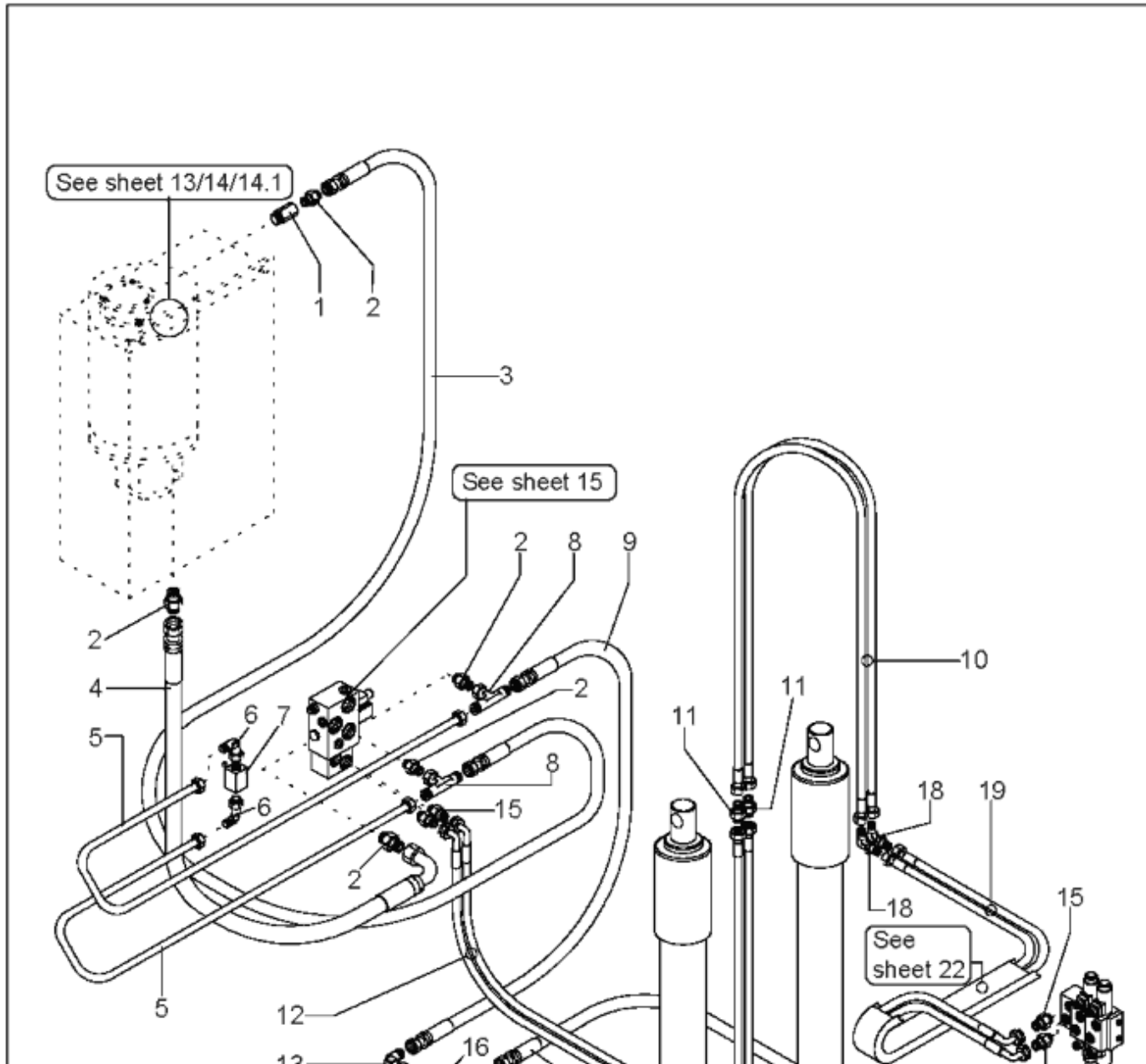
REF.	PART NO.	Q.TY	DESCRIPTION	DESCRIZIONE	DESIGNATION	BENENNUNG	DENOMINACIONES
1	277057000	1	Potentiometer	Potenziometro	Potentiomètre	Potentiometer	Potenciómetro
2	277224300	1	Potentiometer support	Supporto potenziometro	Support potentiomètre	Sockel für Potentiometer	Soporte potenciómetro
3	505974575	4	Screw	Vite	Vis	Schraube	Tornillo
4	277561600	1	Potentiometer anchor	Attacco potenziometro	Attaque potentiomètre	Anschluß Potentiometer	Enchufe potenciómetro
5	277115500	1	Motor pinion	Pignone motore	Pignon moteur	Motorritzel	Piñón motor
6	277444100	1	Chain ass'y	Ass. catena	Ens. chaine	Satz-Kette	Grupo cadena
7	277070200	3	Master link	Maglia di giunzione	Maine de jonction	Verbindungsglied	Malla de enlace
8	932201904	1	Screw	Vite	Vis	Schraube	Tornillo
9	277505400	1	Chain Anchor	Tendicatena	Tendeur de chaine	Kettenspanner	Estiracadena
10	449001015	4	Screw	Vite	Vis	Schraube	Tornillo
11	277269100	1	Switch support kit (right + left)	Kit supporto micro (destra+sinistra)	Kit support microinterrupteur (droite+gauche)	Lagersatz (Rechte+Linke)	Kit soporte microinterruptor (derecha+izquierda)
12	273050300	2	Switch	Microinterruttore	Microinterrupteur	Mikroschalter	Microinterruptor
13	449022013	4	Lock washer	Rosetta elastica	Rondelle élastique	Federscheibe	Arandela elástica
14	449021006	4	Washer	Rondella	Rondelle	Unterlegscheibe	Arandela
15	277258800	1	Dowel	Grano	Clavette	Stift	Espiga
16	277810200	1	Brushes + brushes holder kit	Kit spazzole + portaspazzole	Kit balais + porte balais	Satz-Bürste + Bürstenträger	Kit cepillos + portacepillos
17	277128100	1	Support	Supporto	Support	Lager	Soporte
18	277555700	1	Link	Maglia falsa	Maine fausse	Falsches Kettenglied	Malla falsa
19	277808200	1	Steering control unit	Motoriduttore sterzo elettrico	Motoreducteur direction électrique	Elektromotor Lenkung	Motor manubrio electrico
20	580008011	4	Screw	Vite	Vis	Schraube	Tornillo
21	449022019	4	Lock washer	Rosetta elastica	Rondelle élastique	Federscheibe	Arandela elástica
22	940004903	4	Washer	Rondella	Rondelle	Unterlegscheibe	Arandela
23	277431000	4	Nut	Dado	Écrou	Mutter	Tuerca
24	505966547	4	Screw	Vite	Vis	Schraube	Tornillo
25	449022021	4	Lock washer	Rosetta elastica	Rondelle élastique	Federscheibe	Arandela elástica
26	449021003	4	Washer	Rondella	Rondelle	Unterlegscheibe	Arandela



Truck model / Carrello tipo / Chariot modele / Staplertyp / Tipo de carretilla **MT10-12-15**

LIFTING UNIT / GRUPPO SOLLEVAMENTO / GROUPE DE SOULEVEMENT /
HEBE-GRUPPE / GRUPO ELEVACIÓN

SHEET 12



12	932200905	4	Screw	Vite	Vis	Schraube	Tornillo
13	273075200	2	Screw	Vite	Vis	Schraube	Tornillo
14	449021002	2	Washer	Rondella	Rondelle	Unterlegscheibe	Arandela
15	449001114	4	Screw	Vite	Vis	Schraube	Tornillo
16	277175200	4	Brush holder ass'y	Porta spazzole	Porte balai	Bürstenträger	Portacepillo
17	277228500	1	Plate	Plató porta spazzole	Plateau porte balais	Plateau Bürstenträger	Plato portacepillo
18	277173500	1	Ring	Anello	Bague	Ring	Anillo
19	277813700	8	Screw	Vite	Vis	Schraube	Tornillo
20	277179700	1	Housing	Carcassa	Carcasse	Rahmen	Carcasa
21	277228700	1	Key	Chiavetta	Clavette	Wellenstift	Chaveta
22	580012179	8	Screw	Vite	Vis	Schraube	Tornillo
23	277057400	2	Oil Seal	Paraolio	Joint	Dichtung	Guarnición
24	273087300	1	Snap ring	Seeger	Arretoi	Seeger	Anilo Seeger
25	277057500	1	Bearing	Cuscinetto	Roulement	Lager	Cojinete
26	273087200	1	Snap ring	Seeger	Arretoi	Seeger	Anillo Seeger
27	277175100	1	Armature	Indotto elettropompa	Induit électropompe	Anker Elektropumpe	Inductor electrobomba
28	277057600	1	Bearing	Cuscinetto	Roulement	Lager	Cojinete
29	277354300	8	Brush	Spazzola	Balai	Bürste	Cepillo
30	449021003	8	Washer	Rondella	Rondelle	Unterlegscheibe	Arandela
31	277143200	8	Screw	Vite	Vis	Schraube	Tornillo
32	277179600	1	Field coil	Campo elettropompe	Champ électropompa	Feld Elektropumpe	Campo electrobomba
33	277334100	1	Sensor	Sensore termico	Capteur thermique	Sensor	Sensor térmico
34	277186600	1	Pump	Pompa	Pompe	Pumpe	Bomba
35	277354200	1	Lifting motor ass'y	Ass. motore di sollevamento	Ens. moteur de soulevement	Hebemotor	Grupo motor de elevación
36	277833600	1	Seal kit	Kit guarnizioni	Kit joint	Dichtungssatz	Kit de guarniciones

20	449022016	2	Lock washer	Rosetta elastica	Rondelle souple	Federring	Arandela elastica
21	449001415	2	Screw	Vite	Vis	Schraube	Tornillo

CLICK HERE TO **DOWNLOAD** THE COMPLETE MANUAL

- Thank you very much for reading the preview of the manual.
- You can download the complete manual from: www.heydownloads.com by clicking the link below

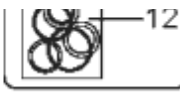


- Please note: If there is no response to CLICKING the link, please download this PDF first and then click on it.

CLICK HERE TO **DOWNLOAD** THE COMPLETE MANUAL

68	277971500	1	Cable (+)	Cavo (+)	Câble (+)	Kabel (+)	Cable (+)
69	277971400	1	Cable (-)	Cavo (-)	Cable (-)	Kabel (-)	Cable (-)
70	277908200	1	Kit battery retainer	Kit fermo batteria	Kit arret de batterie	Satz-Batteriehalteteller	Kit retén de la batería
71	277837100	1	Wired plug	Spina cablata	Fiche câblé	Satz-Stecker	Ficha cablada
72	277837200	1	Cable (+)	Cavo (+)	Câble (+)	Kabel (+)	Cable (+)
♣73	449021003	4	Washer	Rondella	Rondelle	Unterlegscheibe	Arandela
♣74	449022018	4	Lock washer	Rosetta elastica	Rondelle souple	Federring	Arandela elastica
♣75	277550000	1	Guard	Protezione	Protection	Schutz	Protección
♣76	277530000	4	Screw	Vite	Vis	Schraube	Tornillo
♣77	449022018	4	Lock washer	Rosetta elastica	Rondelle souple	Federring	Arandela elastica
♣78	277567500	1	Guard	Protezione	Protection	Schutz	Protección
♣79	900014293	2	Screw	Vite	Vis	Schraube	Tornillo
♣80	449022013	2	Lock washer	Rosetta elastica	Rondelle souple	Federring	Arandela elastica
♣81	277757000	1	Support	Supporto	Support	Lager	Soporte
♣82	580008824	2	Screw	Vite	Vis	Schraube	Tornillo
83	277747600	8	Crimp on pin terminals	Capicorda	Creux	Verbindungsklemme	Terminal
84	277512700	8	Crimp on pin terminals	Capicorda puntale	Creux	Verbindungsklemme	Terminal
85	277747500	8	Crimp on pin terminals	Capicorda	Creux	Verbindungsklemme	Terminal
86	277512700	8	Crimp on pin terminals	Capicorda puntale	Creux	Verbindungsklemme	Terminal
87	277747500	1	Crimp on pin terminals	Capicorda	Creux	Verbindungsklemme	Terminal
88	277512700	2	Crimp on pin terminals	Capicorda puntale	Creux	Verbindungsklemme	Terminal
89	277747500	1	Crimp on pin terminals	Capicorda	Creux	Verbindungsklemme	Terminal
90	277512700	2	Crimp on pin terminals	Capicorda puntale	Creux	Verbindungsklemme	Terminal
91	277768100	2	Crimp on blade terminals	Capicorda	Creux	Verbindungsklemme	Terminal
92	277512700	2	Crimp on pin terminals	Capicorda puntale	Creux	Verbindungsklemme	Terminal
♣93	932200904	4	Screw	Vite	Vis	Schraube	Tornillo
♣94	449022018	4	Lock washer	Rosetta elastica	Rondelle souple	Federring	Arandela elastica
95	932729909	2	Screw	Vite	Vis	Schraube	Tornillo
96	449015098	2	Nut	Dado	Écrou	Mutter	Tuerca
97	277852900	1	Switch bracket right	Supporto micro destro	Support microinterrupteur droite	Lager - Rechte	Soporte microinterruptor derecha
98	449022021	4	Lock washer	Rosetta elastica	Rondelle souple	Federring	Arandela elastica
99	449021002	4	Washer	Rondella	Rondelle	Unterlegscheibe	Arandela
100	277257800	4	Support	Supporto	Support	Lager	Soporte
101	273084100	4	Screw	Vite	Vis	Schraube	Tornillo
102	273101900	4	Washer	Rondella	Rondelle	Unterlegscheibe	Arandela
103	273087700	4	Snap ring	Seeger	Seeger	Seeger Ring	Anillo Seeger
104	449002041	8	Screw	Vite	Vis	Schraube	Tornillo

♣ Optional/ Optional/Optionnel / Wahlfrei / Opcional



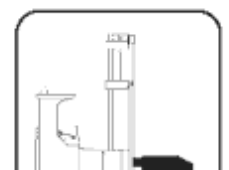
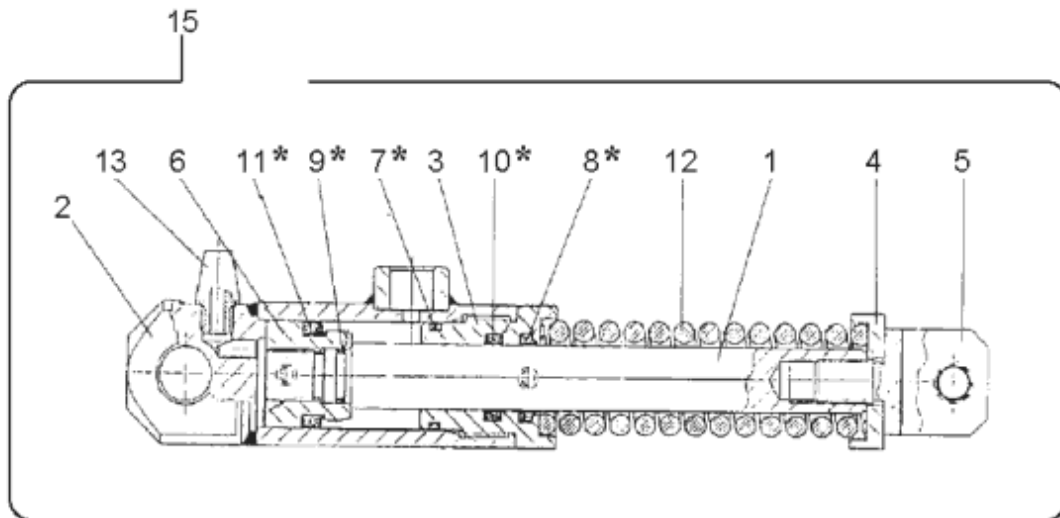
REF.	PART NO.	Q.TY	DESCRIPTION	DESCRIZIONE	DESIGNATION	BENENNUNG	DENOMINACIONES
1	277240600	4	Eccentric pin	Perno eccentrico	Goujon excéntriq.	ausmittiger Zapfen	Perno excéntrico
2	277240700	1	Bearing flange	Flangia cuscinetto	Bride du roulement	Lagersflansch	Brida cojinete
3	277240800	1	Upper pinion	Pignonesuperiore	Pignon supérieur	höher Ritzel	Piñon superior
4	277241000	1	Spacer	Distanziale	Entretoise	Distanzstück	Separador
5	277241100	1	Chain anchor	Fissaggio catena	Fixation de chaine	Kettenbefestigung	Sujeción cadena
6	277241300	1	Wiper seal	Raschiapista	Racleur de piste	Bahnstreifer	Rascador pista
7	277241400	1	Side-shift shaft	Albero traslazione	Arbre de traslation	Verchiebungswelle	Árbor traslación
8	277241500	1	Washer	Rondella	Rondelle	Unterlegscheibe	Arandela
9	277241600	1	Motor pinion	Pignone motore	Pignon moteur	Motorritzel	Piñon motor
10	277241700	1	Lower pinion	Pignone inferiore	Pignon inférieur	unterer Ritzel	Piñon inferior
11	277838000	1	Pivot boom	Braccio	Bras	Arm	Brazo
12	277481500	1	Seal kit	Kit guarnizioni	Kit joints	Dichtungssatz	Kit guarniciones
13	277241900	2	Bearing	Cuscinetto	Roulement	Lager	Cojinete
14	277242000	5	Roller	Rullo di contrasto	Galet de contraste	Gegenrolle	Rollo de contraste
15	277242400	1	Snap ring	Seeger	Seeger	Seeger Ring	Anillo Seeger
16	277242300	4	Snap ring	Seeger	Seeger	Seeger Ring	Anillo Seeger
17	277242200	1	Snap ring	Seeger	Seeger	Seeger Ring	Anillo Seeger
18	277242100	1	Snap ring	Seeger	Seeger	Seeger Ring	Anillo Seeger
19	277242500	2	Washer	Rondella	Rondelle	Unterlegscheibe	Arandela
20	277242600	8	Elastic washer	Rosetta elastica	Rondelle souple	Federscheibe	Arandela elastica
21	277242700	2	Elastic washer	Rosetta elastica	Rondelle souple	Federscheibe	Arandela elastica
22	277242900	5	Elastic washer	Rosetta elastica	Rondelle souple	Federscheibe	Arandela elastica
23	277243100	8	Screw	Vite	Vis	Schraube	Tornillo
24	277243200	2	Screw	Vite	Vis	Schraube	Tornillo
25	277243300	18	Screw	Vite	Vis	Schraube	Tornillo
26	277243400	1	Screw	Vite	Vis	Schraube	Tornillo
27	277243600	2	Screw	Vite	Vis	Schraube	Tornillo
28	277243800	2	Tongue	Linguetta	Languette	Federkeil	Lengüeda
29	277243900	1	Heavy force fitter	Calettatore	Calage	Verbindung	Ensamblador
30	277244000	2	Cylinder pin	Spina cilindrica	Cheville cylindrique	zylindrischer Stecker	Enchufe cilindrico
31	277244100	2	Tongue	Linguetta	Languette	Federkeil	Lengüeda
32	277244200	6	Grease ftg.	Ingrassatore	Graisser	Fettbüchse	Engrasador
33	277244300	1	Motor	Motore	Moteur	Motor	Motor
34	277838100	1	Motor flange	Flangia motore	Bride du moteur	Motorflansch	Brida motor



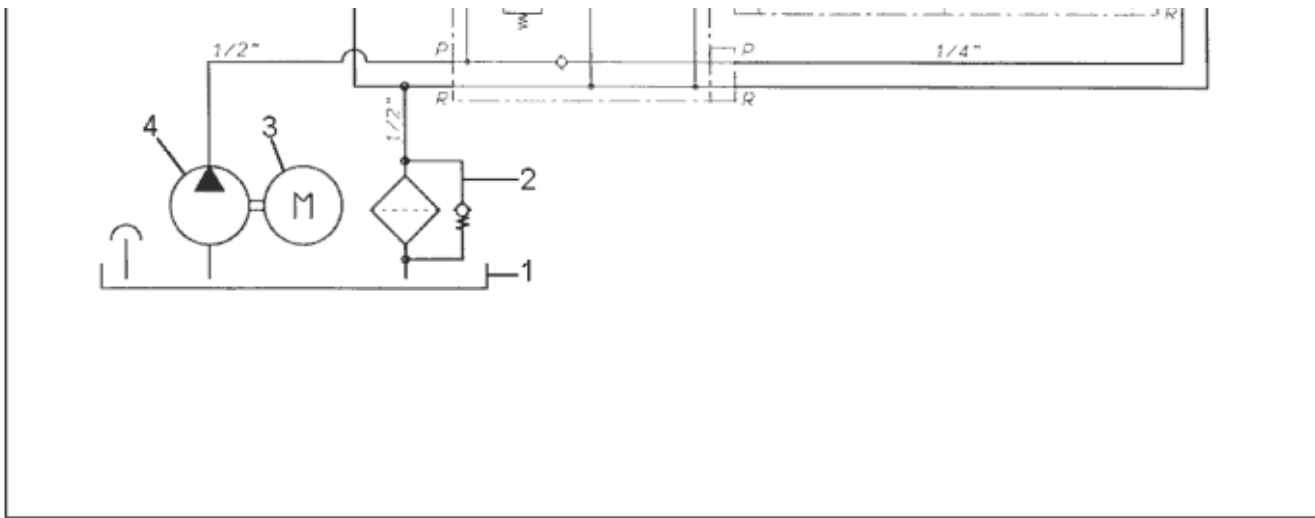
Truck model / Carrello tipo / Chariot modele / Staplertyp / Tipo de carretilla **MT10-12-15**

ROTATOR LATCH CYLINDER / CILINDRO GANCIO / CYLINDRE CROCHET /
HACKENZYLINDER / CILINDRO GANCHO

SHEET 28



r3	47ohm 50W resistor	Resistenza 47ohm 50W	Résistance 47ohm 50W	Widerstand 47ohm 50W	Resisten. 47 ohm 50W
u2	Timer card	Scheda temporizzata	Carte temporisée	Gedruckte Schaltung des Zeitgebers	Tarjeta temporizada



REF.	DESCRIPTION	DESCRIZIONE	DESIGNATION	BENENNUNG	DENOMINACIONES
1	Tank	Serbatoio	Reservoir	Tank	Depósito
2	Filter	Filtro	Filtre	Filter	Filtro
3	Motor	Motore	Moteur	Motor	Motor
4	Pump	Pompa	Pompe	Pumpe	Bomba
5	Solenoid valve	Elettrovalvola	Soupape électrique	Elektroventil	Electroválvula
6	Solenoid valve	Elettrovalvola	Soupape électrique	Elektroventil	Electroválvula
7	Manual release valve	Rubinetto a sfera	Robinet	Hahn	Grifo
8	Anti-shock valve	Valvola antiurto	Soupape anti-choc	Sicherheitsventil Absenkungsschutz	Válvula antichoque
9	Forks traslation hydraulic motor	Motore idraulico traslazione forche	Moteur hydraulique translation fourches	Motor zur hydraulischen Gabelversetzung	Motor hidráulico traslación horcas
10	Anti-shock valve	Valvola antiurto	Soupape anti-choc	Sicherheitsventil Absenkungsschutz	Válvula antichoque
11	Stop rotation cylinder	Martinetto fermo forche	Cylindre d'arrêt des fourches	Hebebock zur Gabelblockierung	Cilindro parada horcas
12	Valve	Valvola strozzamento registrabile	Soupape d'étranglement réglable	Einstellbare Drosselungsventil	Válvula estrangulam. registrable
13	Forks rotation cylinder	Martinetto rotazione forche	Cylindre de giration des fourches	Hebebock Gabelrotation	Cilindro rotación horcas
14	Flow control valve	Valvola regolatrice di flusso	Soupape réglage de flux	Durchflußregler	Válvula reguladora de flujo
15	Hose failure velve	Valvola di blocco	Soupape de blocage	Sperrventil	Válvula de cierre
16	Principal lift cylinder	Cilindro sollevamento principale	Cylindre principal de levée	Haupthubzylinder	Cilindro elevación principal
♣17	Flow control valve	Valvola regolatrice di flusso	Soupape réglage de flux	Durchflußregler	Válvula reguladora de flujo
♣18	Auxiliary lift cylinder	Cilindro sollevamento ausiliario	Cylindre auxiliaire de levée	Hilfshubzylinder	Cilindro elevación auxiliar
♣19	Valve	Valvola di sequenza	Soupape	Ventil	Válvula
♣ Optional/ Optional/Optionnel / Wahlfrei / Opcional					



Truck model /Carrello tipo/ Chariot modele /Staplertyp/ Tipo de carretilla **MT10-12-15**

HYDRAULIC CIRCUIT MT 10-12-15 WITH AUXILIARY LIFT MAST (option) /

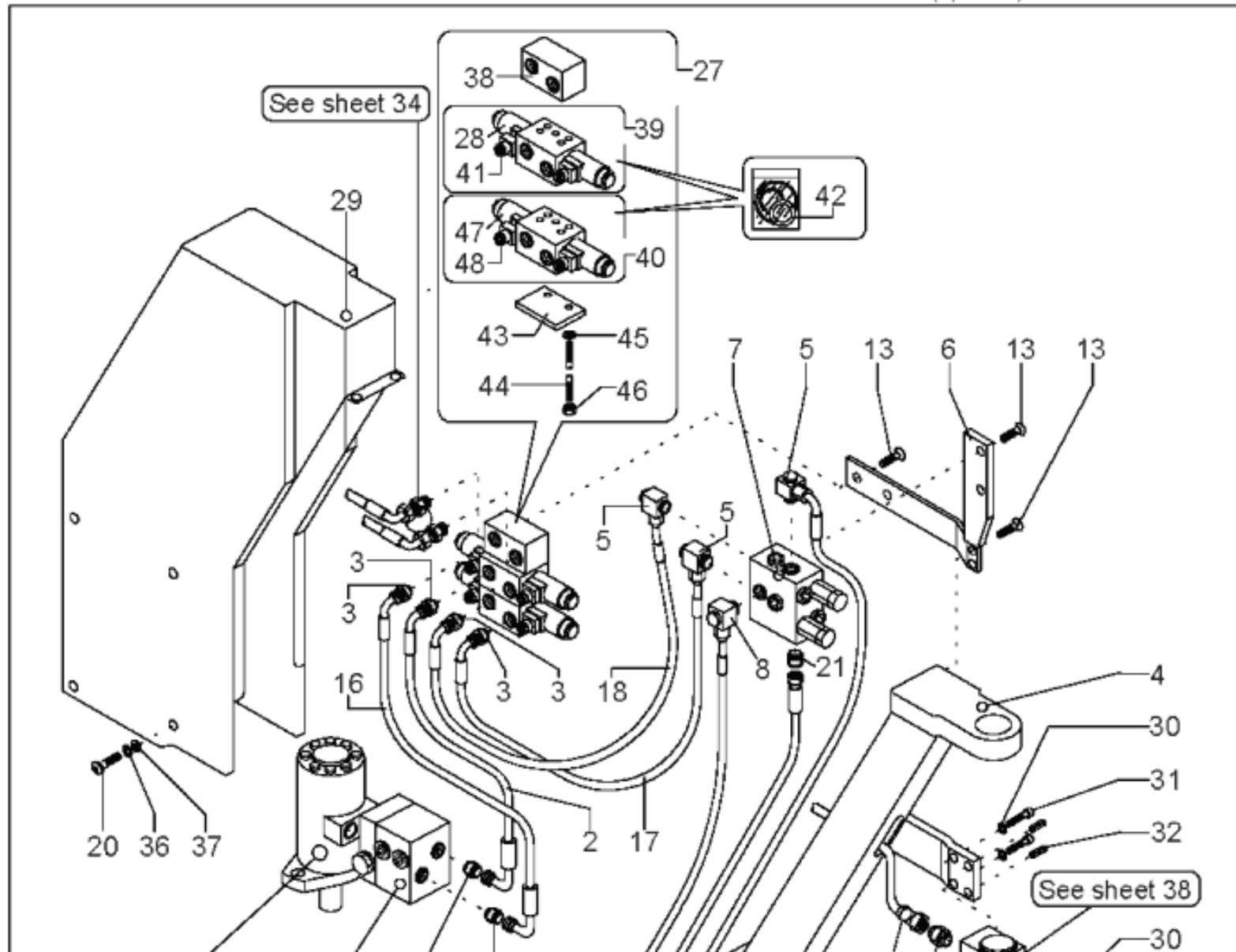
IMPIANTO IDRAULICO MT10-12-15 CON MONTANTE SUPPLEMENTARE (optional) /

INSTALLATION HYDRAULIQUE MT 10-12-15 AVEC MONTANT SUPPLÉMENTAIRE (optionnel) /

HYDRAULIKANLAGE MT 10-12-15 MIT ZUSATZ-PFOSTEN (wahlfrei) /

INSTALACIÓN HIDRÁULICA MT 10-12-15 CON MONTANTE SUPLEMENTARIO (opcional)

SHEET 37

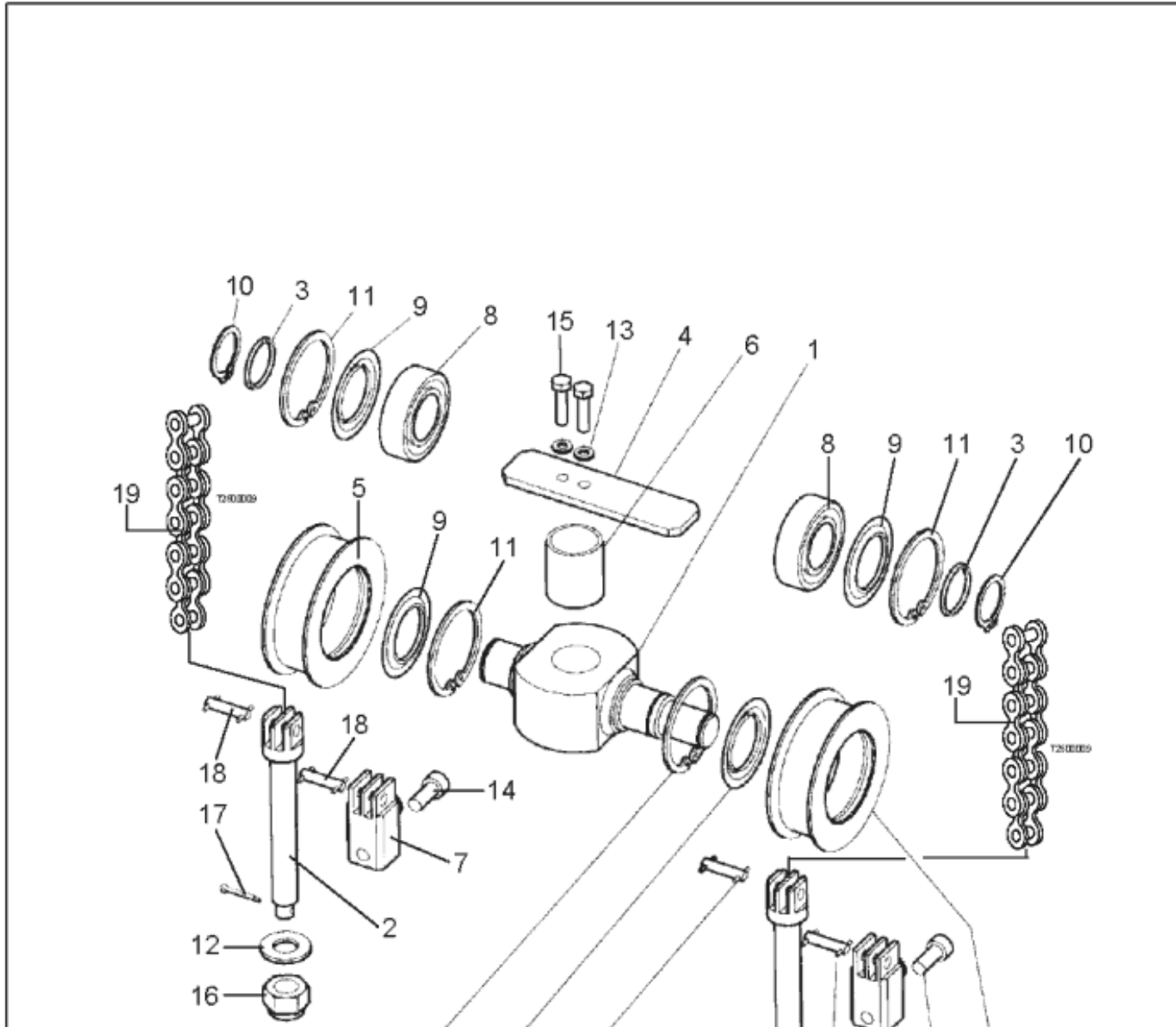




Truck model / *Carrello tipo* / Chariot modele / *Staplertyp* / Tipo de carretilla **MT10-12-15**

PULLEYS GROUP MT10-12-15 WITH AUXILIARY LIFT MAST (option) /
 GRUPPO CARRUCOLE MT10-12-15 CON MONTANTE SUPPLEMENTARE (optional) /
 GROUPE POUBLIES MT10-12-15 AVEC MONTANT SUPPLÉMENTAIRE (optionnel) /
 SATZ-KETTENSCHIBE MT10-12-15 MIT ZUSATZ-POSTEN (wahlfrei) /
 GRUPO POLÉA MT10-12-15 CON MONTANTE SUPLEMENTARIO (opcional)

SHEET 41



CLICK HERE TO **DOWNLOAD** THE COMPLETE MANUAL

- Thank you very much for reading the preview of the manual.
- You can download the complete manual from: www.heydownloads.com by clicking the link below



- Please note: If there is no response to CLICKING the link, please download this PDF first and then click on it.

CLICK HERE TO **DOWNLOAD** THE COMPLETE MANUAL