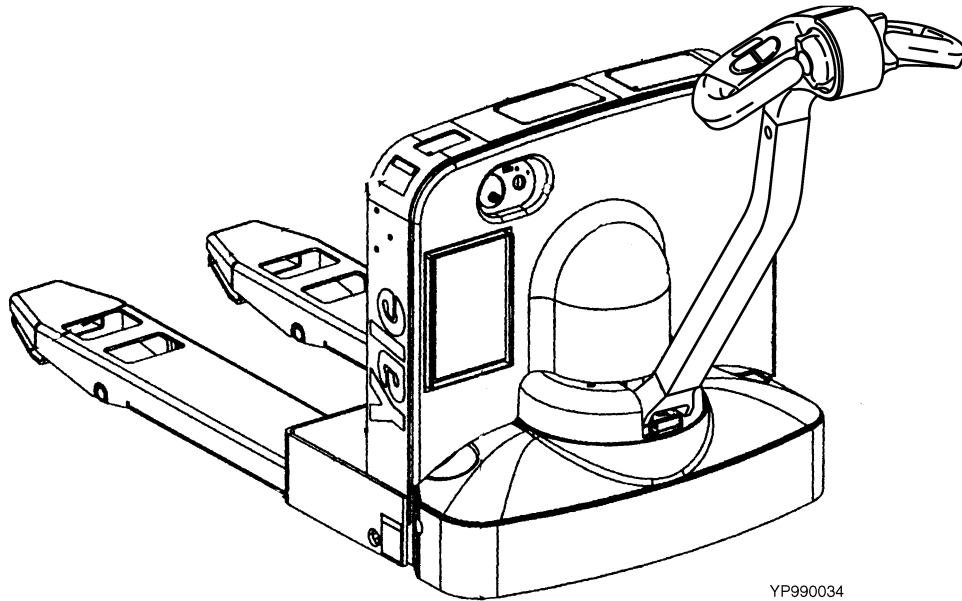


MPW 045 E (B802)

MPB 040 E (B827)



YP990034

CLICK HERE TO **DOWNLOAD** THE COMPLETE MANUAL

- Thank you very much for reading the preview of the manual.
- You can download the complete manual from: www.heydownloads.com by clicking the link below



- Please note: If there is no response to CLICKING the link, please download this PDF first and then click on it.

CLICK HERE TO **DOWNLOAD** THE COMPLETE MANUAL

MASTER PART SHEET CROSS-REFERENCE

NOTE: Throughout this manual are references to Part Sheet Numbers. These references are usually found after the description of a part or assembly. The Part Sheet Number is found on the upper left- or righthand corner of the parts pages.

EXAMPLE:

ITEM	PART NO.	DESCRIPTION	QTY
31	505965530	Steering Cylinder (☞ 6E67).....	1
32	504224261	Pin.....	4

Below is a numerical listing of Part Sheet Numbers found in this parts book and what page number they are on.

PART SHEET	PAGE NO.	PART SHEET	PAGE NO.	PART SHEET	PAGE NO.
G10464.....	2-6	G10552.....	2-8	G10566.....	5-10
G10474.....	6-8	G10553.....	7-14	G10568.....	5-2
G10477.....	1-2	G10555.....	3-2	G10568.....	5-8
G10478.....	1-4	G10556.....	6-6	G10569.....	5-4
G10483.....	7-16	G10557.....	6-2	G10570.....	5-6
G10486.....	7-12	G10558.....	7-10	G10571.....	7-8
G10489.....	7-6	G10560.....	5-14	G10573.....	7-2
G10498.....	1-6	G10562.....	4-2	G10574.....	2-4
G10532.....	2-10	G10563.....	6-12	G10575.....	7-4
G10548.....	4-4	G10564.....	6-10	G10576.....	2-2
G10551.....	2-12	G10565.....	5-12		

POWER HEAD ASSEMBLY

ITEM	PART NO.	DESCRIPTION	QTY
	524148613	Power Head Assembly (12V).....	1
	524142923	Power Head Assembly (24V).....	1
1	580025699	Master Drive Unit (12V).....	1
1	580025659	Master Drive Unit (24V).....	1
2	580032519	Bearing.....	1
3	524145182	Frame.....	1
4	580032520	Bearing.....	1
5	520012800	Sleeve.....	1
6	524149333	Seal.....	1
7	940801905	Lockwasher.....	1
8	940800905	Nut.....	1
9	953700901	Fitting.....	1
10	524149215	Lift Cylinder.....	1
10	524151086	Seal Kit.....	1
10	524151087	Bearing.....	2
10	524151088	Ring.....	4
11	524149324	Pivot Pin.....	2
12	585096801	Spiral Pin.....	2
13	524149331	Fitting.....	1
14	501710910	Hose.....	1
15	b 752830300	Static Strap.....	1
16	b 449021001	Washer.....	1
17	b 449022016	Washer.....	1
18	b 501729905	Capscrew.....	1
19	b 449015014	Nut.....	1
20	a 524162251	Clip.....	1

FOOTNOTES:

- a** Not Illustrated.
- b** Used with poly and non-marking rubber tires.

**CONTROL PANEL ASSEMBLY
(B802)**

ITEM	PART NO.	DESCRIPTION	QTY
	524149123	Control Panel Assembly (12V).....	1
	524149124	Control Panel Assembly (24V).....	1
1	524148455	Mounting Plate	1
2	524149128	Controller (12V)	1
2	524149129	Controller (24V)	1
3	449001204	Capscrew.....	2
4	520031801	Fuse (400 Amp) (12V).....	1
4	580032787	Fuse (24V).....	1
5	524148475	Battery Connector (Yellow) (12V)	1
5	524148474	Battery Connector (Red) (24V).....	1
6	501921903	Clamp	1
7	a 449022018	Lockwasher	8
8	d 524149517	DC-DC Converter	1
9	d 580008824	Capscrew.....	2
10	449001114	Capscrew.....	4
11	449021003	Washer	2
12	449021002	Washer	2
13	449022021	Lockwasher	2
14	932727901	Capscrew.....	2
15	b 449015002	Nut	4
16	580026708	Indicator (With MDI).....	1
16	504246201	Plug (Without MDI)	1
17	500863104	Ignition Switch	1
17	500863106	Key	1
17	e 752411301	Ignition Switch	1
18	506395587	Capscrew.....	3
19	449022016	Washer	3
20	449015014	Nut	3
21	580032787	Fuse	1
22	524143269	Horn.....	1
23	c 524149616	Wire Harness.....	1
24	cd 524152642	Wire Harness.....	1
25	c 524150928	Wire Harness.....	1
26	c 524149887	Wire Harness.....	1
27	c 524149909	Wire Harness.....	1
28	c 524149910	Wire Harness.....	1
29	c 524149914	Wire Harness.....	1
30	c 524163507	Wire Harness W/In-Line Fuse	1
31	c 501921912	Clamp	1
31	c 066002600	Clamp	1
32	cd 449021001	Washer	1

FOOTNOTES:

- a** 24V only uses six.
- b** 24V only uses two.
- c** Not Illustrated.
- d** Only used on 12V.
- e** Optional.

**SECTION 3
DRIVE UNIT AND BRAKE ASSEMBLY**

DESCRIPTION	PAGE
DRIVE UNIT AND BRAKE ASSEMBLY 12/24V.....	3-2

CLICK HERE TO **DOWNLOAD** THE COMPLETE MANUAL

- Thank you very much for reading the preview of the manual.
- You can download the complete manual from: www.heydownloads.com by clicking the link below



- Please note: If there is no response to CLICKING the link, please download this PDF first and then click on it.

CLICK HERE TO **DOWNLOAD** THE COMPLETE MANUAL

CONTROL HANDLE ASSEMBLY

ITEM	PART NO.	DESCRIPTION	QTY
	524138793	Control Handle Assembly (Standard)	1
	524138797	Control Handle Assembly (Cold Storage).....	1
1	580011989	Control Handle (Lower)	1
2	524139006	Control Handle (Upper)	1
3	580025595	Interface Single Board (Standard).....	1
3	580025596	Interface Single Board (Cold Storage)	1
4	580013106	Camshaft.....	1
5	580012962	Bushing	2
6	524139007	Butterfly Switch (LH)	1
7	940004902	Washer	2
8	580026296	Screw	2
9	580012970	Spring.....	1
10	524139008	Butterfly Switch (RH).....	1
11	580011991	Switch Cover	1
11	a 524139010	Cover	1
12	a 580012969	Spring Cover	2
13	580013128	Switch Cover	1
14	524148521	Switch Assembly	4
15	580026824	Switch.....	4
16	524139009	Cover.....	1
17	580012967	Label	1
18	580012968	Label	1
19	524139322	Label	1
20	580026824	Switch.....	2
	524153649	Creep Speed Kit (Includes Items 11-12)	1
	524139314	Ped Tiller Upper Kit (Includes Items 2-12, 14, 16-19).....	1
	b 524139315	Ped Tiller Upper Kit (Includes Items 2-12, 14, 16-19).....	1

FOOTNOTES:

- a** Turtle Option Only
- b** Used on Cold Storage.

HYDRAULIC POWER UNIT
(B827)

ITEM	PART NO.	DESCRIPTION	QTY
	580025912	Hydraulic Power Unit	1
1	580012669	Hydraulic Motor	1
2	580028971	Filler Tank	1
2	580028972	Clamp	1
2	580015604	Breather Filter	1
3	580012673	Poppet	1
3	580028973	Valve	1
3	580015614	Coil	1
3	580028974	Valve Seal Kit	1
4	580028979	Hydraulic Oil Tank	1
4	580028961	Tube	1
4	580015611	Strainer	1
4	a 580028963	Pump Seal Kit	1
5	580015602	Adapter	1
6	580032913	Fitting	1

FOOTNOTES:

a Not Illustrated.

6

LIFT LINKAGE AND LOAD WHEEL

**BATTERY AND CHARGER ASSEMBLY
(B827)**

ITEM	PART NO.	DESCRIPTION	QTY
1	585095702	Battery Tray	1
2	a 524149719	Spacer	1
3	a 449001415	Capscrew.....	2
4	a 449022016	Washer	2
5	580032545	Capscrew.....	2
6	016103700	Washer	2
7	504238298	Nut	2
8	a 580032544	Label.....	1
9	503954200	Handle	1
10	932728908	Capscrew.....	2
11	449022018	Lockwasher	2
12	449021003	Washer	2
13	449015002	Nut	2
14	a 524159458	Battery Connector	1
	723291304	Battery Connector (Red)	1
	050610500	Sleeve	2
	502164908	Wire Harness	AR
	580033770	Fitting	1
	012472000	Terminal Wire	1
	312850032	Strap Clamp	1

FOOTNOTES:

a Also used on Less GNB Pallet Pro.

**LOAD BACKREST
(B802)**

ITEM	PART NO.	DESCRIPTION	QTY
1	524149764	Load Backrest (48")	1
1	524149765	Load Backrest (60")	1
2	580022964	Capscrew.....	6
3	449022016	Washer	6
4	449021001	Washer	6

CLICK HERE TO **DOWNLOAD** THE COMPLETE MANUAL

- Thank you very much for reading the preview of the manual.
- You can download the complete manual from: www.heydownloads.com by clicking the link below



- Please note: If there is no response to CLICKING the link, please download this PDF first and then click on it.

CLICK HERE TO **DOWNLOAD** THE COMPLETE MANUAL