


Select a Truck

Truck Details

Mast Details [Search](#)[Publications](#)View Cart: Pick List 2 

Announcements

[Parts Info](#) [Service Manuals](#) [Software](#) [Support Items](#)

Parts Information

Assemblies Available For A910 (GLC20VX, GLC25VX, GLC30VX, GLC35VX Europe)

- 1. GENERAL TRUCK
 - 1. HOOD (=> S/N A910V15693H) 2. HOOD (S/N A910V15694H =>)
 - 3. FLOORPLATES AND COVERS (=> S/N A910V11924F)
 - 4. FLOORPLATES AND COVERS (S/N A910V11924F => INC. 01925, 01844, 01891, 01895, 01898, 01902, 01905)
 - 5. FENDERS 6. COWL MOUNT 7. COUNTERWEIGHT 8. COUNTERWEIGHT (4/2007 =>) 9. OVERHEAD GUARD
 - 10. NON-SUSPENSION SEAT 11. SEMI-SUSPENSION SEAT (=> S/N A910V15007H)
 - 12. SEMI-SUSPENSION SEAT (WITH AND WITHOUT ELECTRONIC CONTROLS) (S/N A910V15008H =>)
 - 13. FULL SUSPENSION SEAT 14. FULL SUSPENSION SWIVEL SEAT
 - 15. FULL SUSPENSION SEAT (WITH LIMITED BACK TILT) (S/N A910V07141D <=> S/N A910V01507H)
 - 16. FULL SUSPENSION SWIVEL SEAT (WITH LIMITED BACK TILT) (S/N A910V05930D <=> S/N A910V01507H)
 - 17. FULL SUSPENSION SEAT (MANUAL AND ELECTRO-HYDRAULIC) (SWIVEL AND NON-SWIVEL) (S/N A910V01508H =>)
 - 18. FULL SUSPENSION SEAT (SHEET 2 OF 2) (S/N A910V01508H =>)
 - 19. ARMREST ASSEMBLY (MINI-LEVER MODULES) (SEMI-SUSPENSION SEATS)
 - 20. ARMREST ASSEMBLY (MINI-LEVER MODULES) 21. LABELS (INTERIOR) 22. LABELS (EXTERIOR)
 - 23. CONTROL LEVER LABELS 24. ELECTRONIC LEVER LABELS (AUXILIARY SINGLE FUNCTION)
 - 25. ELECTRONIC LEVER LABELS (AUXILIARY DUAL FUNCTION)
 - 26. MINI LEVER MODULE LABELS (HYDRAULIC CONTROL FUNCTIONS)
- 2. LPG ENGINE (2.0 AND 2.2L)
 - 1. ENGINE MOUNT (MAZDA 2.0L AND 2.2L, LPG) 2. EXHAUST SYSTEM (MAZDA 2.0L AND 2.2L, LPG) (=> S/N A910V09108E)
 - 3. EXHAUST SYSTEM (MAZDA 2.0L AND 2.2L LPG) (S/N A910V09109E =>)
 - 4. COOLING SYSTEM (MAZDA 2.0L AND 2.2L, LPG) (SERPENTINE RADIATOR) (=> S/N A910V08450D)
 - 5. COOLING SYSTEM (MAZDA 2.0L AND 2.2L LPG) (SERPENTINE RADIATOR) (S/N A910V08451D <=> 4/2006)
 - 6. COOLING SYSTEM (MAZDA 2.0L AND 2.2L, LPG) (SQUARE WAVE WITH INTERNAL OIL COOLER) (=> S/N A910V08450D)
 - 7. COOLING SYSTEM (MAZDA 2.0L AND 2.2L LPG) (SQUARE WAVE WITH INTERNAL OIL COOLER) (S/N A910V08451D <=> S/N A910V09108E)
 - 8. COOLING SYSTEM (MAZDA 2.0L AND 2.2L, LPG) (SQUARE WAVE WITH EXTERNAL OIL COOLER) (=> S/N A910V08450D)
 - 9. COOLING SYSTEM (MAZDA 2.0L AND 2.2L LPG) (SQUARE WAVE WITH EXTERNAL OIL COOLER) (S/N A910V08451D <=> S/N A910V09109E)
 - 10. COOLING SYSTEM (MAZDA 2.0L AND 2.2L LPG) (S/N A910V09109E =>)
 - 11. FLYWHEEL AND HOUSING (MAZDA 2.0L AND 2.2L, LPG) (=> S/N A910V07725D)
 - 12. FLYWHEEL AND HOUSING (MAZDA 2.0L AND 2.2L LPG) (S/N A910V07726D =>)
 - 13. CYLINDER HEAD (MAZDA 2.0L AND 2.2L, LPG) (=> S/N A910V09108E)
 - 14. CYLINDER BLOCK (MAZDA 2.0L AND 2.2L, LPG) (=> S/N A910V09108E)
 - 15. TIMING GEAR COVER AND OIL PAN (MAZDA 2.0L AND 2.2L, LPG) (=> S/N A910V09108E)
 - 16. CAMSHAFT AND VALVES (MAZDA 2.0L AND 2.2L, LPG) (=> S/N A910V09108E)
 - 17. CRANKSHAFT AND PISTONS (MAZDA 2.0L AND 2.2L, LPG) (=> S/N A910V09108E)
 - 18. OIL PUMP AND FILTER (MAZDA 2.0L AND 2.2L, LPG) (=> S/N A910V09108E)
 - 19. EMISSIONS LINES (MAZDA 2.0L AND 2.2L, LPG) (=> S/N A910V09108E)
 - 20. ENGINE COOLING (MAZDA 2.0L AND 2.2L, LPG) (=> S/N A910V09108E)
 - 21. INTAKE MANIFOLD (MAZDA 2.0L AND 2.2L, LPG) (=> S/N A910V09108E)

CLICK HERE TO **DOWNLOAD** THE COMPLETE MANUAL

- Thank you very much for reading the preview of the manual.
- You can download the complete manual from: www.heydownloads.com by clicking the link below

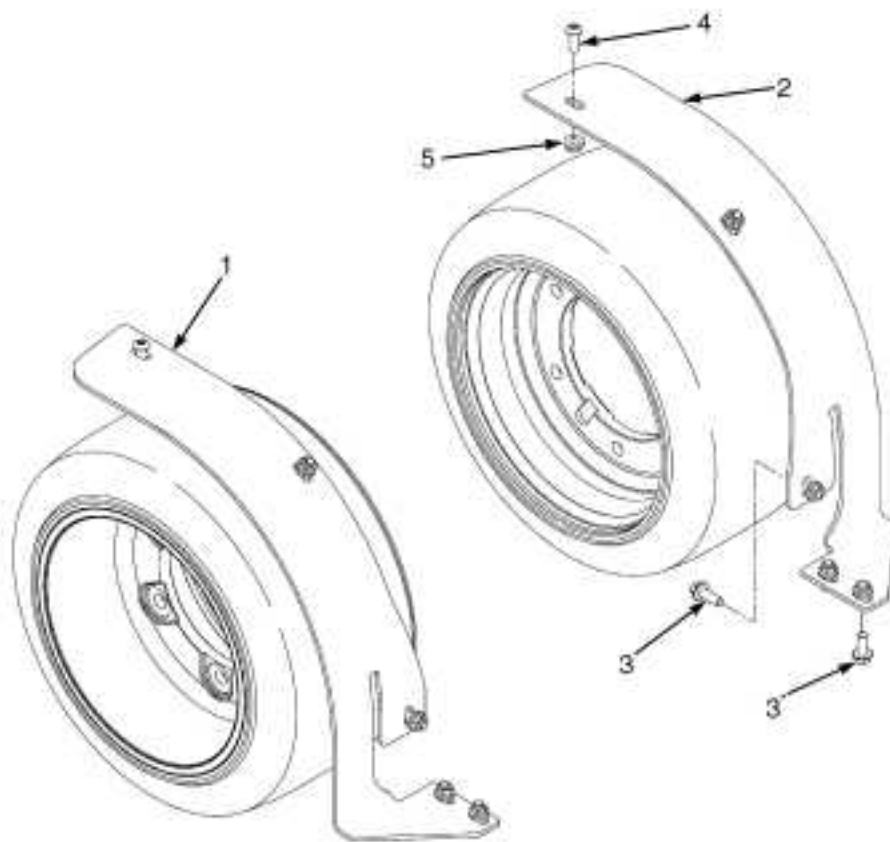


- Please note: If there is no response to CLICKING the link, please download this PDF first and then click on it.

CLICK HERE TO **DOWNLOAD** THE COMPLETE MANUAL

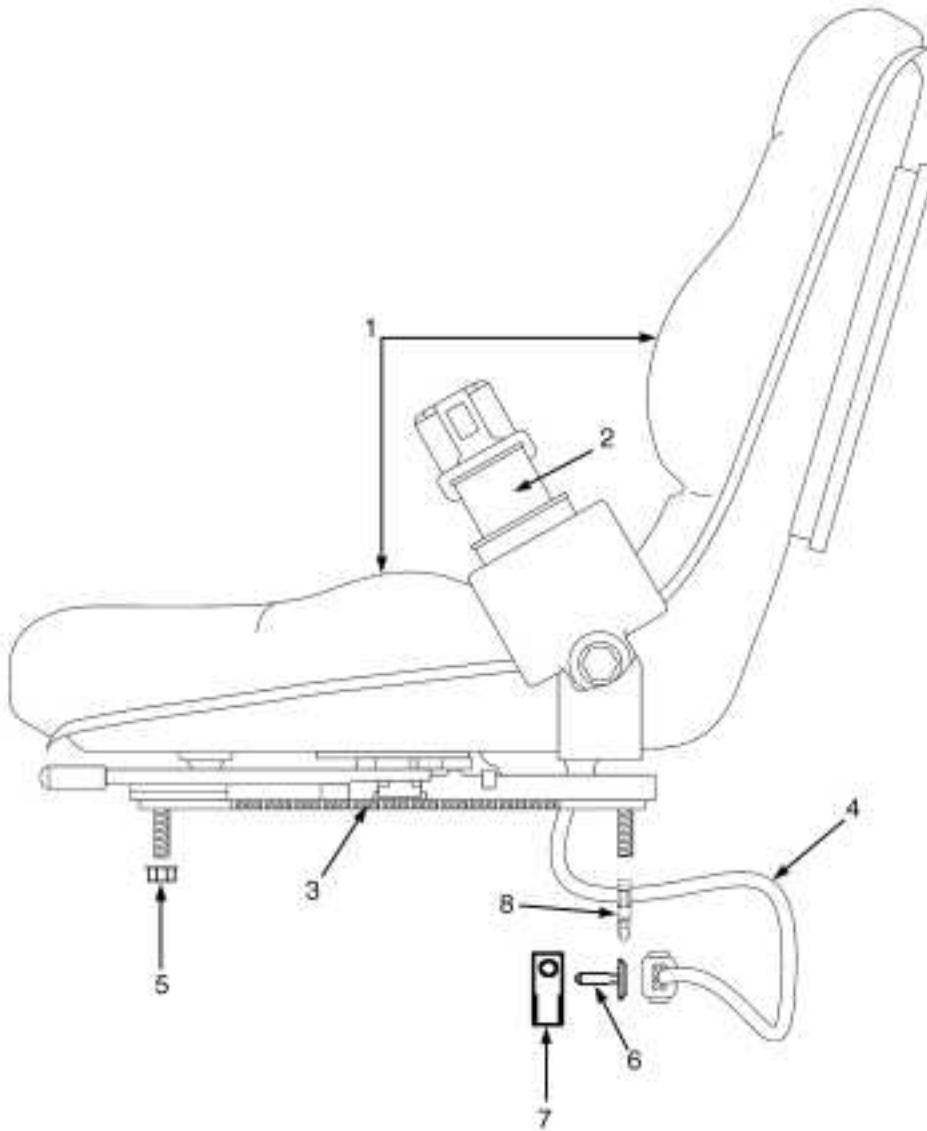
4	580070654	• Qty: 2	
	Plug (Yellow)		
5	580054195	• Qty: 2	
	Hinge		
6	580049231	• Qty: 10	
	Capscrew		
7	580084478	• Qty: 1	
	Latch		
8	580004592	• Qty: 2	
	Nut		
9	580058383	• Qty: 2	
	Bumper (Hood)		
10	580039900	• Qty: 6	
	Capscrew		
11	580087164	• Qty: 1	
	Seat Pan		
12	580065405	• Qty: 1	
	Hood Reinforcement		
13	580065388	• Qty: 2	
	Bracket		
14	518805632	• Qty: 10	
	Nut		
15	580058135	• Qty: 1	
	Bracket		

A910 (GLC20VX, GLC25VX, GLC30VX, GLC35VX Europe) > GENERAL TRUCK Assembly > FENDERS Figure



HP120731

Ref #	Part # Description / Notes	Qty Data Links	
1	524197171	• Qty: 1	
	Fender (LH) 21 X 9 X 10.5		
1	524197172	• Qty: 1	
	Fender (LH) Wide Rim		
2	524197169	• Qty: 1	
	Fender (RH) 21 X 9 X 10.5		
2	524197170	• Qty: 1	
	Fender (RH) Wide Rim		



HP12009

Ref #	Part # Description / Notes	Qty Data Links	

Arm

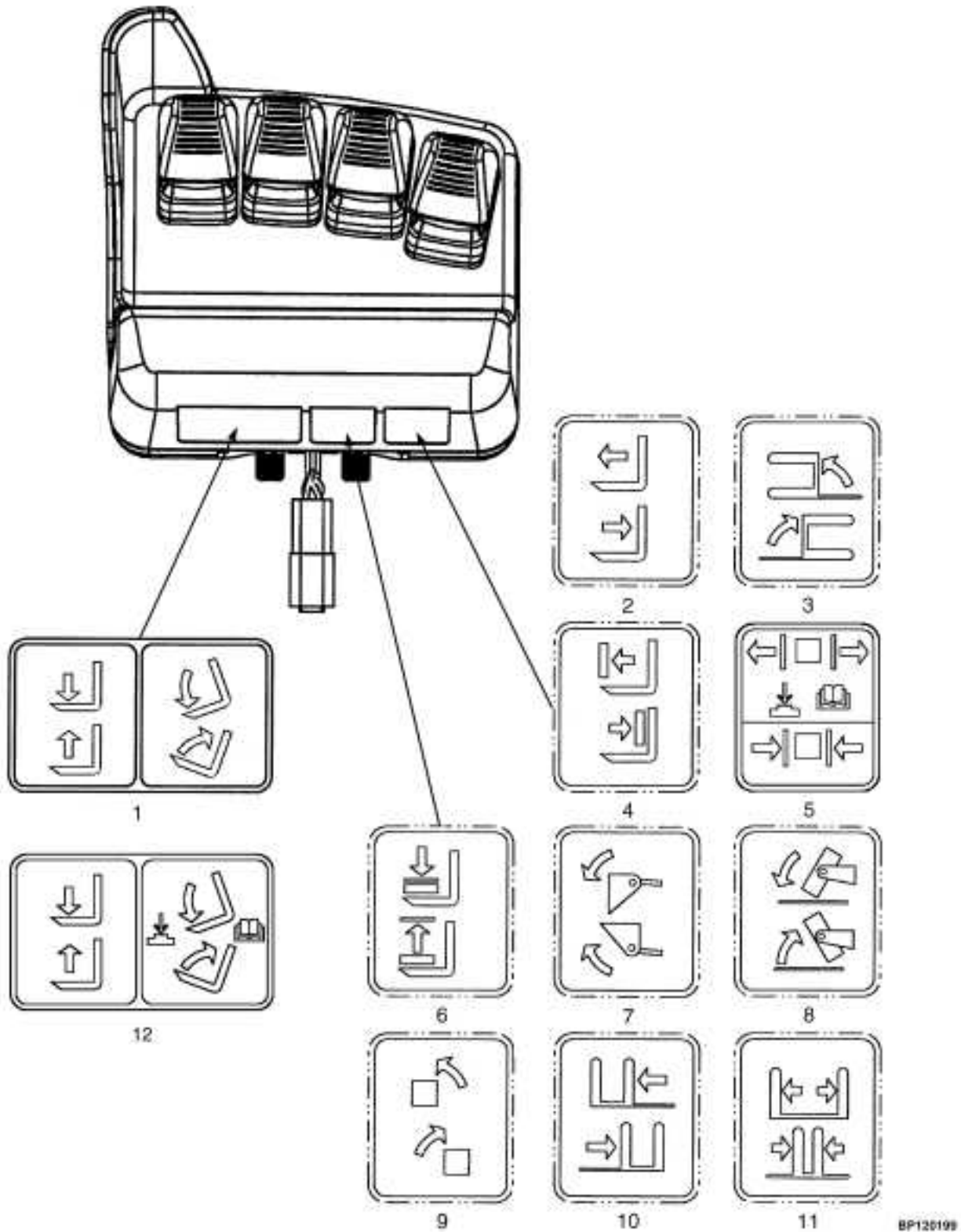
Ref #	Part # Description / Notes	Qty Data Links	
	582003804	<ul style="list-style-type: none"> Qty A: 1 Qty B: .. 	
	Seat-Semi Suspension (Vinyl)		
	582003805	<ul style="list-style-type: none"> Qty A: .. Qty B: 1 	
	Seat-Semi Suspension (Cloth)		
1	580051572	<ul style="list-style-type: none"> Qty A: 1 Qty B: 1 	
	Seat Cushion (Back Cushion) (Vinyl)		
2	580010467	<ul style="list-style-type: none"> Qty A: 1 Qty B: 1 	
	Armrest (LH)		
3	580051574	<ul style="list-style-type: none"> Qty A: 1 Qty B: 1 	
	Seat Cushion (Vinyl)		
4	580049900	<ul style="list-style-type: none"> Qty A: 1 Qty B: 1 	
	Knob		
5	580090678	<ul style="list-style-type: none"> Qty A: 1 Qty B: 1 	
	Kit-Seat Rail		
6	580097531	<ul style="list-style-type: none"> Qty A: 1 Qty B: 1 	
	Sensor (Operator Presence)		
7	582000813	<ul style="list-style-type: none"> Qty A: 1 Qty B: 1 	
	Bracket (Operator Presence Sensor)		

	Kit-Weight Adjuster		
6	580065961	<ul style="list-style-type: none"> • Qty A: 1 • Qty B: 1 • Qty C: 1 • Qty D: 1 	
	Handle		
6	580057259	<ul style="list-style-type: none"> • Qty A: 1 • Qty B: 1 • Qty C: 1 • Qty D: 1 	
	Knob		
7	580062078	<ul style="list-style-type: none"> • Qty A: 1 • Qty B: 1 • Qty C: 1 • Qty D: 1 	
	Kit-Seat Belt (Black)		
7	524281279	<ul style="list-style-type: none"> • Qty A: 1 • Qty B: 1 • Qty C: 1 • Qty D: 1 	
	Kit-Seat Belt (Red)		
8	580014471	<ul style="list-style-type: none"> • Qty A: 1 • Qty B: 1 • Qty C: 1 • Qty D: 1 	
	Kit-Seat Rail		
9	518793684	<ul style="list-style-type: none"> • Qty A: 4 • Qty B: 4 • Qty C: 4 • Qty D: 4 	
	Nut		
10	580040850	<ul style="list-style-type: none"> • Qty A: 1 • Qty B: 1 • Qty C: 1 • Qty D: 1 	
	Nut		
11	518791646	<ul style="list-style-type: none"> • Qty A: 1 • Qty B: 1 • Qty C: 1 • Qty D: 1 	

2	580051805	<ul style="list-style-type: none"> • Qty A: .. • Qty B: 1 • Qty C: .. • Qty D: 1 	
	Seat Cushion (Cloth)		
2	580049884	<ul style="list-style-type: none"> • Qty A: 1 • Qty B: 1 • Qty C: 1 • Qty D: 1 	
	Sensor (Operator Presence)		
3	580059816	<ul style="list-style-type: none"> • Qty A: 1 • Qty B: 1 • Qty C: .. • Qty D: .. 	
	Wire Harness		
3	580080127	<ul style="list-style-type: none"> • Qty A: .. • Qty B: .. • Qty C: 1 • Qty D: 1 	
	Wire Harness		
4	580049903	<ul style="list-style-type: none"> • Qty A: 1 • Qty B: 1 • Qty C: 1 • Qty D: 1 	
	Cushion (LH Armrest)		
4	580084952	<ul style="list-style-type: none"> • Qty A: 1 • Qty B: 1 • Qty C: 1 • Qty D: 1 	
	Armrest (LH) (Alternate Part)		
4	580049904	<ul style="list-style-type: none"> • Qty A: 1 • Qty B: 1 • Qty C: .. • Qty D: .. 	
	Cushion (RH)		
4	580084954	<ul style="list-style-type: none"> • Qty A: 1 • Qty B: 1 • Qty C: .. • Qty D: .. 	

24	580060018	• Qty: 2	
	Nut		
25	582003730	• Qty: 1	
	Cover		

A910 (GLC20VX, GLC25VX, GLC30VX, GLC35VX Europe) > GENERAL TRUCK Assembly > ELECTRONIC LEVER LABELS (AUXILIARY SINGLE FUNCTION) Figure



BP120199

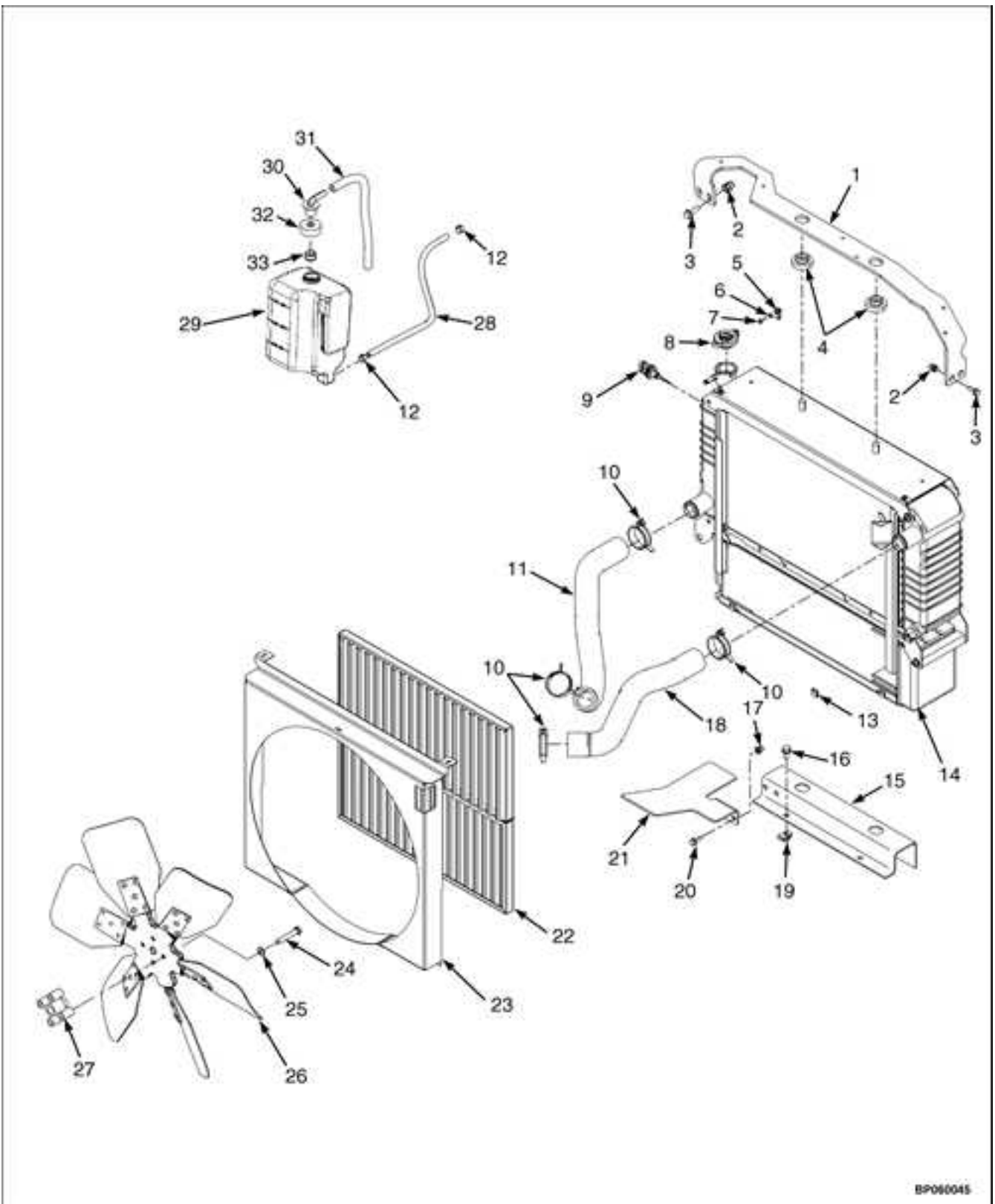
Ref #	Part # Description / Notes	Qty Data Links
-------	-------------------------------	-------------------

1	580056381	• Qty: 6	
	Locknut		
2	580039566	• Qty: 1	
	Washer => S/N A910V15530G		
3	580037328	• Qty: 2	
	Mount => S/N A910V15530G		
3	580097537	• Qty: 4	
	Isolator S/N A910V15531G =>		
4	580027572	• Qty: 2	
	Nut		
5	580046611	• Qty: 1	
	Bracket		
6	580037329	• Qty: 4	
	Washer		
7	580037488	• Qty: 2	
	Spacer		
7	582000157	• Qty: 2	
	Spacer S/N A910V15530G =>		
8	580030968	• Qty: 2	
	Capscrew		
9	580058885	• Qty: 1	
	Exhaust Pipe		

22	580069698	• Qty: 1	
	Screen Optional		
23	580060016	• Qty: 1	
	Shroud		
24	449001241	• Qty: 4	
	Capscrew		
25	502566901	• Qty: 4	
	Washer		
26	580056668	• Qty: 1	
	Fan		
27	NSS	• Qty: 1	
	Spacer		
28	580038194	• Qty: 1	
	Bracket		
29	505966595	• Qty: 2	
	Clamp		
30	580041132	• Qty: 1	
	Hose		
31	900001226	• Qty: 1	
	Reservoir		
32	580002885	• Qty: 1	
	Outlet Assembly		
33	900003260	• Qty: 1	
	Bushing		

26	580056668	• Qty: 1	
	Fan		
27	NSS		

A910 (GLC20VX, GLC25VX, GLC30VX, GLC35VX Europe) > LPG ENGINE (2.0 AND 2.2L) Assembly > COOLING SYSTEM (MAZDA 2.0L AND 2.2L LPG) (S/N A910V08451D <=> S/N A910V09109E) Figure



BP060045

Ref #	Part # Description / Notes	Qty Data Links	
-------	----------------------------------	-------------------	--

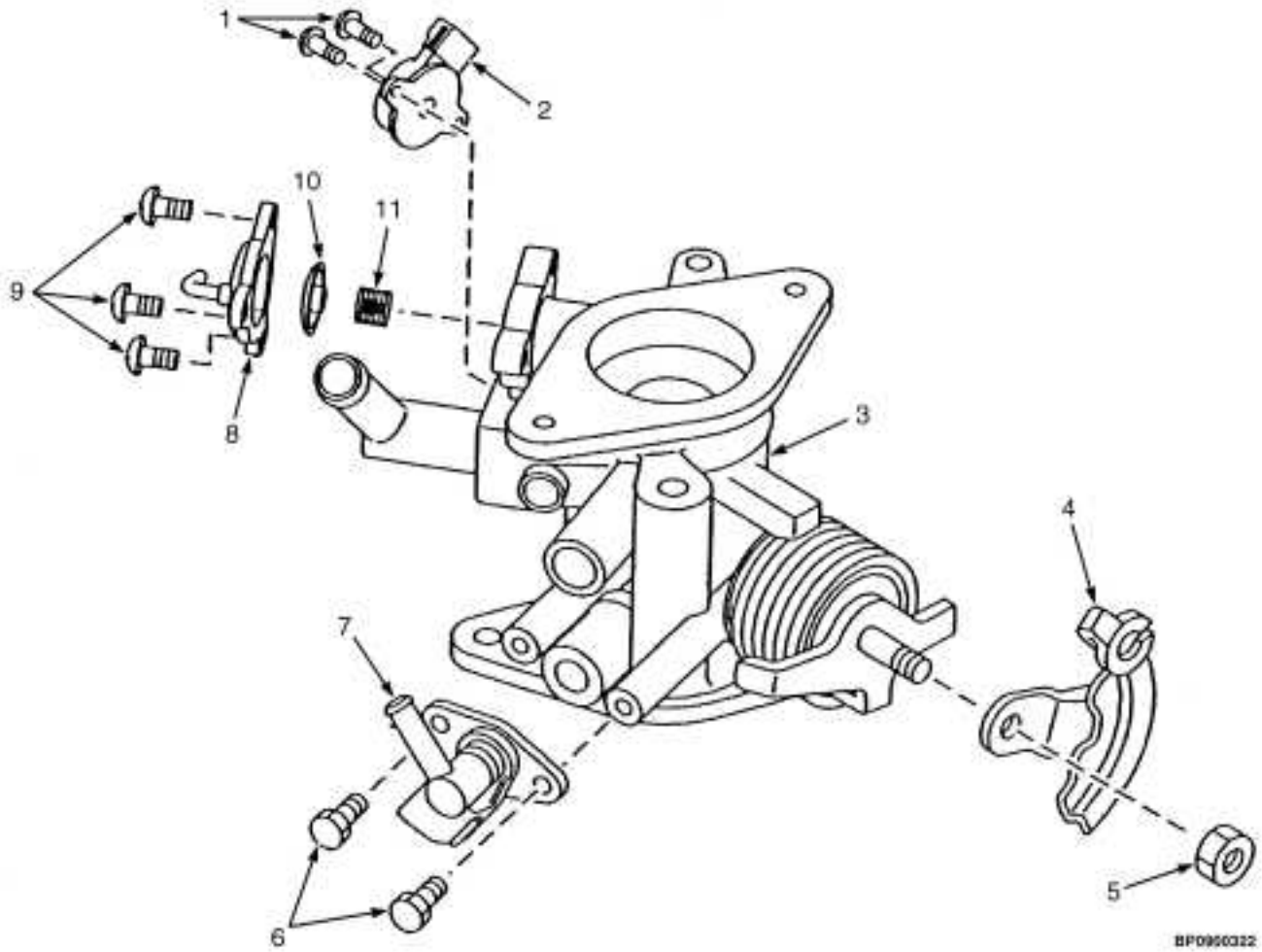
	Fan => S/N A910V13468F		
18	580086666	<ul style="list-style-type: none"> • Qty A: 1 • Qty B: 1 • Qty C: 1 	
	Fan S/N A910V13469F =>		
19	580089472	<ul style="list-style-type: none"> • Qty A: 1 • Qty B: 1 • Qty C: 1 	
	Spacer S/N A910V13469F =>		
20	502566901	<ul style="list-style-type: none"> • Qty A: 4 • Qty B: 4 • Qty C: 4 	
	Washer		
21	449001241	<ul style="list-style-type: none"> • Qty A: 4 • Qty B: 4 • Qty C: 4 	
	Capscrew		
22	505972572	<ul style="list-style-type: none"> • Qty A: .. • Qty B: 2 • Qty C: 2 	
	Clip		
23	580069698	<ul style="list-style-type: none"> • Qty A: 1 • Qty B: 1 • Qty C: .. 	
	Screen Optional With Basis Transmission		
23	580069699	<ul style="list-style-type: none"> • Qty A: 1 • Qty B: 1 • Qty C: .. 	
	Screen Optional With Electronic Transmission		

	Long Block (2.0L, LPG)		
	580058502	• Qty: 1	
	Long Block (2.2L, LPG)		
1	901290834	• Qty: 1	
	Engine Cover (LPG)		
2	901290808	• Qty: 1	
	Plate		
3	901848826	• Qty: 10	
	Screw		
4	901290811	• Qty: 1	
	Gasket		
5	901290819	• Qty: 1	
	PCV Valve		
5	580046873	• Qty: 1	
	PCV Valve (Alternate Part)		
6	901290818	• Qty: 1	
	Seal		
7	901270814	• Qty: 1	
	Cap		
8	901270815	• Qty: 1	
	Gasket		
9	901290803	• Qty: 10	
	Bolt		
10	901290824	• Qty: 2	

	580058502	• Qty: 1	
	Long Block (2.2L, LPG)		
1	901294827	• Qty: 1	
	Bolt		
2	901294828	• Qty: 1	
	Washer		
3	901577818	• Qty: 1	
	Pulley (Camshaft)		
4	901294838	• Qty: 4	
	Inlet Valve (Intake)		
5	901274801	• Qty: 4	
	Seal		
6	901294806	• Qty: 8	
	Valve Seat		
7	901294832	• Qty: 8	
	Spring (Intake Valve)		
8	901294833	• Qty: 8	
	Spring (Exhaust Valve)		
9	901294802	• Qty: 8	
	Valve Seat		
10	900284852	• Qty: 16	
	Keeper		
11	901294834	• Qty: 4	
	Rocker Arm		

11	580046941	• Qty: 1	
	Gasket		
12	580046926	• Qty: 2	
	Clamp		
13	580053359	• Qty: 1	
	Hose (Fuel)		
14	901301818	• Qty: 2	
	Screw		
15	580055159	• Qty: 1	
	Fuel Filter (LPG Vapor)		
15	580056792	• Qty: 1	
	Kit-Cover		
15	580055162	• Qty: 1	
	Setscrew		
15	580055161	• Qty: 3	
	Screw		
15	580055163	• Qty: 1	
	Fuel Filter (With O-Ring)		
15	580055160	• Qty: 1	
	Spring		
16	580045523	• Qty: 1	
	Sensor (Boost, M. A.P.)		
17	580056478	• Qty: 2	
	Screw		

A910 (GLC20VX, GLC25VX, GLC30VX, GLC35VX Europe) > LPG ENGINE (2.0 AND 2.2L) Assembly > CARBURETOR (LPG) (MAZDA 2.0L AND 2.2L) (=> S/N A910V09108E) Figure



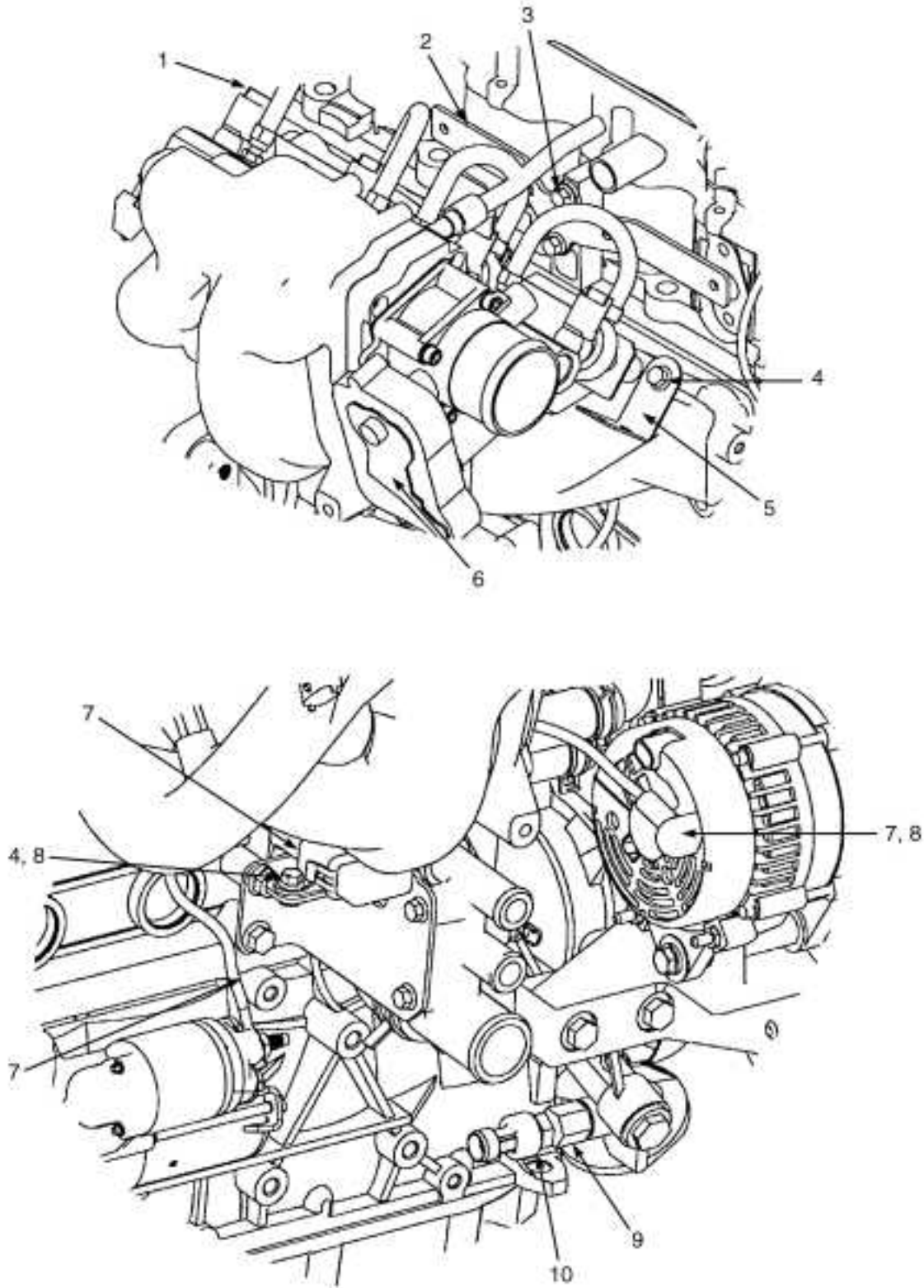
Ref #	Part # Description / Notes	Qty Data Links	
-------	----------------------------	----------------	--

	580078926	• Qty: 1	
	Long Block (2.2L, LPG)		
	580053154	• Qty: 1	
	Short Block (2.0L, LPG)		
	580053155	• Qty: 1	
	Short Block (2.2L, LPG)		
1	580046879	• Qty: 1	
	Cylinder Block (2.0L)		
1	901574802	• Qty: 1	
	Cylinder Block (2.2L)		
2	900542813	• Qty: 1	
	Plug		
3	900281820	• Qty: 2	
	Plug		
4	901015826	• Qty: 2	
	Plug		
5	901291803	• Qty: 1	
	Joint Fitting		
6	901271817	• Qty: 4	
	Plug		
7	901291801	• Qty: 2	
	Pin		
8	901291804	• Qty: 1	
	Tube Assy		

	Long Block (2.2L, LPG)		
1	901290825	• Qty: 5	
	Bolt		
2	580046886	• Qty: 1	
	Cover (Upper Timing Belt) (2.0L)		
2	901575809	• Qty: 1	
	Cover (Upper Timing Belt) (2.2L)		
3	580046887	• Qty: 1	
	Gasket (2.0L) Part of Kit 504259763		
3	901575810	• Qty: 1	
	Gasket (2.2L)		
4	901575827	• Qty: 1	
	Housing (2.2L)		
4	580046885	• Qty: 1	
	Housing (2.0L)		
5	901292811	• Qty: 1	
	Oil Seal Part of Kit 504259763		
6	505960594	• Qty: 1	
	Connector		
7	901292816	• Qty: 2	
	Stud		
8	900559852	• Qty: 2	

Intake Manifold (Alternate Part) S/N A910V12460F => INC. 03043, 03092, 03120, 03175, 03287-03290, 03330, 03337, 03372-03374, 03415, 03419		
---	--	--

A910 (GLC20VX, GLC25VX, GLC30VX, GLC35VX Europe) > LPG ENGINE (2.4L) Assembly > ASSEMBLED ENGINE (GM 2.4L, LPG) (SHEET 2 OF 4) Figure



HP091294

Ref #	Part # Description / Notes	Qty Data Links	

	Washer		
3	580037328	• Qty: 2	
	Mount		
4	580027572	• Qty: 4	
	Nut		
5	580046611	• Qty: 1	
	Bracket		
6	580037329	• Qty: 4	
	Washer		
7	580037488	• Qty: 2	
	Spacer		
8	580030968	• Qty: 2	
	Capscrew		
9	580058885	• Qty: 1	
	Exhaust Pipe		
10	057092500	• Qty: 2	
	Clamp		
11	580041116	• Qty: 1	
	Muffler		
11	580073416	• Qty: 1	
	Muffler (Crimped) (2010 Series)		
12	580040030	• Qty: 1	
	Exhaust Pipe		
13	580020060	• Qty: 2	
	Nut		
14	449022017	• Qty: 2	
	Lockwasher		
15	580015804	• Qty: 1	
	Gasket		
16	580039432	• Qty: 1	

	Nut		
12	580051710	• Qty: 1	
	Bracket		
13	580047714	• Qty: 4	
	Capscrew		
14	580046304	• Qty: 2	
	Clip		
15	931013906	• Qty: 4	
	Capscrew		
16	502566901	• Qty: 4	
	Washer		
17	580056668	• Qty: 1	
	Fan		
18	900011296	• Qty: 1	
	Spacer		
19	580036690	• Qty: 1	
	Hose Clamp		
20	580044222	• Qty: 1	
	Radiator Hose (Upper)		
21	900001226	• Qty: 1	
	Reservoir		
22	580041132	• Qty: 1	
	Hose		
23	505966595	• Qty: 2	
	Clamp		
24	580038194	• Qty: 1	
	Bracket		
25	580002885	• Qty: 1	
	Outlet Assembly		
26	580003199	• Qty: 1	

7	580058848	• Qty: 1	
	Adapter		
8	449001053	• Qty: 1	
	Capscrew		
9	580064479	• Qty: 1	
	Flywheel		
10	502566904	• Qty: 6	
	Washer		
11	505970591	• Qty: 6	
	Capscrew		
12	580058009	• Qty: 1	
	Capscrew		
13	580061742	• Qty: 1	
	Static Strap		
14	580051610	• Qty: 1	
	Bracket		
15	580027572	• Qty: 1	
	Nut		
16	449001296	• Qty: 10	
	Capscrew		
17	504057795 449022013	• Qty: 10	
	Lockwasher		
18	449001138	• Qty: 10	
	Capscrew		

	Screw		
90	580057187	• Qty: 1	
	Timing Belt		
91	NSS	• Qty: 1	
	Seal		
92	580057139	• Qty: 1	
	Cover (Timing Belt)		
93	580057134 582005742	• Qty: 5	
	Bolt		
94	580057200	• Qty: 4	
	Screw		
95	580055029	• Qty: 1	
	Crankshaft Pulley		
96	580057186	• Qty: 1	
	Washer		
97	580057182	• Qty: 1	
	Sprocket		
98	580057184	• Qty: 1	
	Key		

	Gasket		
11	580057129	• Qty: 1	
	Tube => S/N A910V06237D		
11	580072450	• Qty: 1	
	Tube S/N A910V06238D =>		
12	NSS	• Qty: 1	
	Seal		
13	580057091	• Qty: 1	
	Dipstick => S/N A910V06237D		
13	580072451	• Qty: 1	
	Indicator S/N A910V06238D =>		
14	580057133	• Qty: 2	
	Clamp (RH)		
15	580057132	• Qty: 1	
	Hose		
16	580057131	• Qty: 2	
	Screw		
17	580057194	• Qty: 1	
	Sensor (Crankshaft Position)		
18	NSS	• Qty: 1	
	Seal		
18	582005746	• Qty: 1	
	Seal (2010 Series)		
19	580057050	• Qty: 4	
	Bolt		
20	NSS	• Qty: 1	
	Bearing		
21	580057218	• Qty: 1	
	Seal (CR/SHF RR OIL)		
21	582005737	• Qty: 1	

	Elbow		
2	580055562	• Qty: 1	
	Retainer		
3	580042932	• Qty: 1	
	Grommet		
4	580000180	• Qty: 1	
	Hose Clamp		
5	580048576	• Qty: 1	
	Grill		
6	580041831	• Qty: 1	
	Hose (Dirty Air)		
7	062159700	• Qty: 2	
	Clamp		
8	580047714	• Qty: 2	
	Capscrew		
9	580054359	• Qty: 1	
	Bracket		
10	580044860	• Qty: 3	
	Insert		
11	580056815	• Qty: 3	
	Capscrew		
12	580035739	• Qty: 1	
	Air Filter	Bulletins	
13	580041820	• Qty: 1	
	Hose (Clean Air)		
14	505970524	• Qty: 1	
	Hose Clamp		

2	580052432	• Qty: 1	
	Air Duct => S/N A910V14069F		
2	580087853	• Qty: 1	
	Air Duct S/N A910V14070F =>		
3	932728908	• Qty: 2	
	Capscrew		
4	580029990	• Qty: 2	
	Washer		
5	580041704	• Qty: 2	
	Insert		
6	580087912	• Qty: 3	
	Screw (Pre- Cleaner Mounting) S/N A910V14070F =>		
7	580096361	• Qty: 1	
	End Plug		

7	580078759	<ul style="list-style-type: none"> Qty A: 1 Qty B: 1 	
	Lpg Tank Bracket (EZ-Tank) 11/2007 =>		
8	580052245	<ul style="list-style-type: none"> Qty A: 1 Qty B: 1 	
	Hose Assy (GLC20VX)		
8	580039598	<ul style="list-style-type: none"> Qty A: 1 Qty B: 1 	
	Hose Assy (GLC25-35VX)		
9	056623800	<ul style="list-style-type: none"> Qty A: 1 Qty B: 1 	
	Fitting		
10	501884905	<ul style="list-style-type: none"> Qty A: 1 Qty B: .. 	
	Fitting (Pipe Plug)		
10	019930000	<ul style="list-style-type: none"> Qty A: .. Qty B: 1 	
	Fitting Not Illustrated		
11	580008220	<ul style="list-style-type: none"> Qty A: 2 Qty B: 2 	
	Capscrew		
12	580074043	<ul style="list-style-type: none"> Qty A: 1 Qty B: .. 	
	Hose Assy		
12	580074044	<ul style="list-style-type: none"> Qty A: .. Qty B: 1 	
	Hose Assy		
13	580090374	<ul style="list-style-type: none"> Qty A: 1 Qty B: 1 	

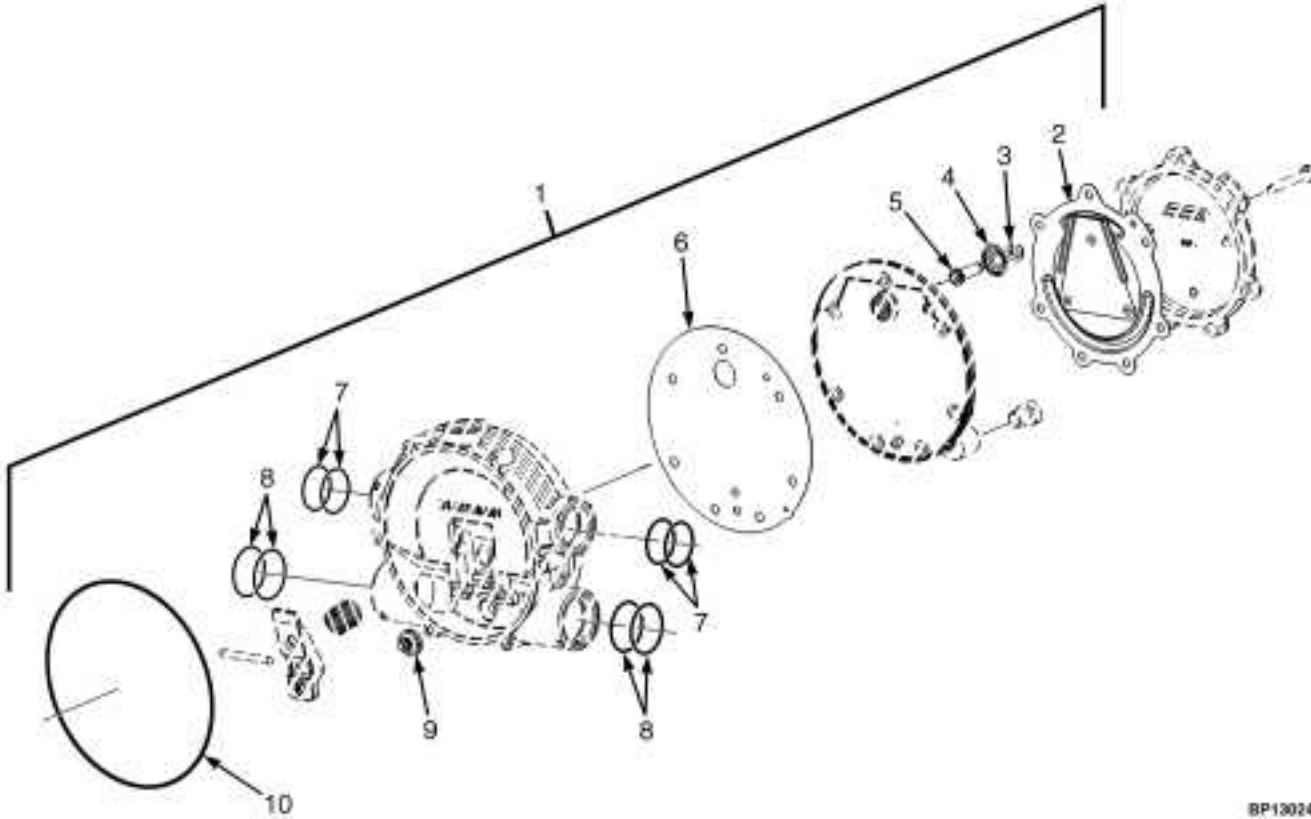
	Hose Assy		
43	258644700	• Qty: 1	
	Strap		

	Lpg Tank Bracket		
1	580072459	• Qty: 1	
	Pivot		
2	580052259	• Qty: 1	
	Snap Ring		
3	580052689	• Qty: 1	
	Washer (Pivot)		
4	502507901	• Qty: 2	
	Ball Bearing		
5	580052691	• Qty: 1	
	Thrust Washer		
6	580052693	• Qty: 1	
	Base Weldment		
7	580053497	• Qty: 1	
	Pin		
8	580041947	• Qty: 1	
	Spring		
9	580053498	• Qty: 1	
	Ring		
10	580051169	• Qty: 1	
	Gas Spring	MSDS	
11	580053496	• Qty: 2	
	E-Ring		
12	580055632	• Qty: 2	
	Washer		
13	580053495	• Qty: 1	
	Pin		
14	449034001	• Qty: 1	
	Roll Pin		
15	580038895	• Qty: 1	

	Governor		
15	580046941	• Qty: 1	
	Gasket		
16	901016819	• Qty: 2	
	Clamp		
17	580053506	• Qty: 1	
	Hose (PCV)		
18	901290828	• Qty: 2	
	Bolt		
19	580053309	• Qty: 1	
	Bracket (Throttle)		
20	580055159	• Qty: 1	
	Fuel Filter (LPG Vapor)		
20	580056792	• Qty: 1	
	Kit-Cover		
20	580055162	• Qty: 1	
	Setscrew		
20	580055163	• Qty: 1	
	Fuel Filter (With O-Ring)		
21	580046926	• Qty: 2	
	Clamp		
22	580053359	• Qty: 1	
	Hose (Fuel)		
23	901301818	• Qty: 2	
	Screw		
24	580060405	• Qty: 1	
	LPG Regulator		
	504258743	• Qty: 1	
	Valve (Delay) (Not Illustrated)		

2	580078224	• Qty: 1	
	Mixer		
3	518798654	• Qty: 6	
	Screw		
4	580078226	• Qty: 1	
	Cover		
5	580077954	• Qty: 1	
	O-Ring		
6	580048664	• Qty: 6	
	Bolt		
7	580078218	• Qty: 2	
	Nut		
8	580078288	• Qty: 1	
	Bracket (Relay)		
9	580078227	• Qty: 1	
	Adapter		
10	580048600	• Qty: 2	
	Screw		
11	580078221	• Qty: 1	
	O-Ring		
12	580078222	• Qty: 1	
	Sleeve		
13	580078220	• Qty: 1	
	Throttle Body		
14	580078285	• Qty: 1	
	Gasket (Throttle Body)		
15	580078223	• Qty: 4	
	Screw		

A910 (GLC20VX, GLC25VX, GLC30VX, GLC35VX Europe) > FUEL SYSTEM Assembly > ELECTRONIC PRESSURE REGULATOR KIT (MAZDA 2.0L AND 2.2L LPG) (2007-2010 EMISSION COMPLIANT ENGINES) (S/N A910V09109E =>) Figure



BP130247

Ref #	Part # Description / Notes	Qty Data Links	
1	580078244	• Qty: 1	
	Kit-Repair (Electronic Pressure Regulator)		
2	NSS	• Qty: 1	
	Diaphragm (Not Serviced Separately)		
3	580001734	• Qty: 1	
	E-Ring		
4	NSS	• Qty: 1	
	Spring (Not Serviced Separately)		
5	580004656	• Qty: 1	
	Pin (Primary)		
6	518807683	• Qty: 1	
	Gasket		
7	NSS	• Qty: 4	
	O-Ring (Not Serviced Separately)		

13	580049229	<ul style="list-style-type: none"> Qty A: 2 Qty B: 2 	
	Capscrew		
14	580044860	<ul style="list-style-type: none"> Qty A: 2 Qty B: 2 	
	Insert		
15	580037181 582001994	<ul style="list-style-type: none"> Qty A: 1 Qty B: 1 	
	LPG Converter		
15	580037181 582001994	<ul style="list-style-type: none"> Qty A: 1 Qty B: 1 	
	LPG Converter		
16	505966507	<ul style="list-style-type: none"> Qty A: 2 Qty B: 2 	
	Clamp		
17	580042330	<ul style="list-style-type: none"> Qty A: 3 Qty B: 3 	
	Clamp (Swivel)		
18	580041370	<ul style="list-style-type: none"> Qty A: 3 Qty B: 3 	
	Clamp		
19	580009778	<ul style="list-style-type: none"> Qty A: 1 Qty B: 1 	
	Hose		
20	062159500	<ul style="list-style-type: none"> Qty A: 2 Qty B: 2 	
	Clamp		
21	580037184	<ul style="list-style-type: none"> Qty A: 1 Qty B: 1 	
	Radiator Hose		

	O-Ring (Injector Adaptor)		
2	582005132	• Qty: 4	
	Adapter (Injector)		
3	582005127	• Qty: 4	
	O-Ring (Adaptor)		
4	582005129	• Qty: 4	
	Injector		
5	582005130	• Qty: 4	
	O-Ring (Spacer)		
6	582005131	• Qty: 4	
	O-Ring (Inlet)		
7	582005128	• Qty: 1	
	Fuel Rail		
8	580048274	• Qty: 1	
	Throttle Body		
9	580041711	• Qty: 4	
	Capscrew		
10	580048278	• Qty: 1	
	Gasket (Throttle Body)		
11	580039900	• Qty: 4	
	Capscrew		
12	580048279	• Qty: 1	
	Gasket (Throttle Plate)		
13	580048280	• Qty: 1	
	Plate (Throttle Adapter)		
14	580047714	• Qty: 2	
	Capscrew		
15	582005133	• Qty: 1	

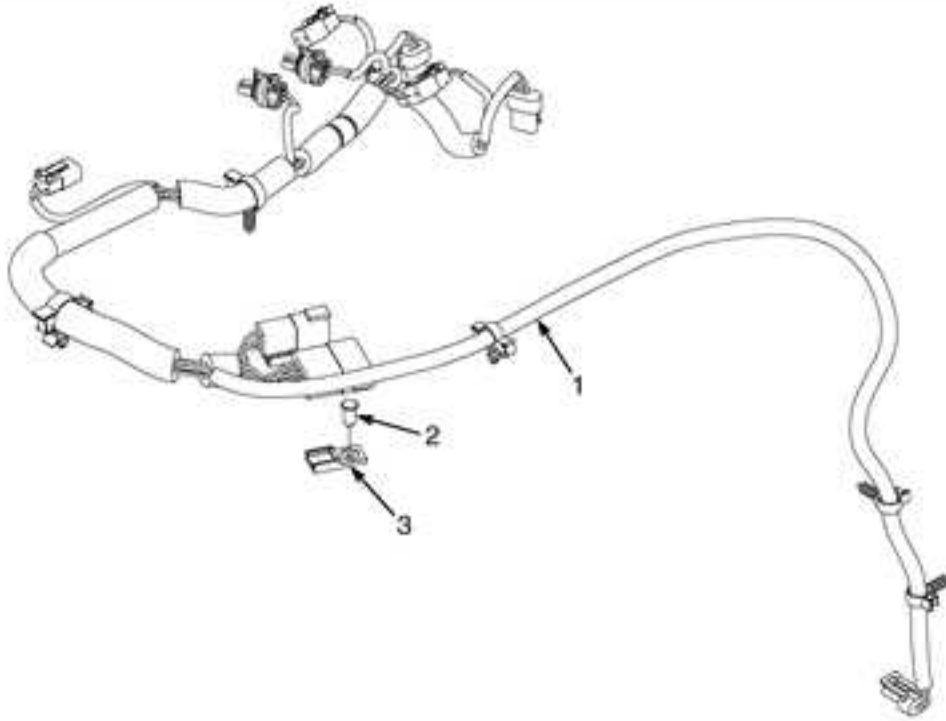
	Start Battery Wet	MSDS	
15	580076313	• Qty: 1	
	Start Battery Wet (Optional)		
16	580057821	• Qty: 1	
	Link (Battery Hold Down) => 8/2006		
16	580074110	• Qty: 1	
	Link (Battery Hold Down) 8/2006 <=> S/N A910V08450D		
16	580075004	• Qty: 1	
	Link (Battery Hold Down) S/N A910V08451D =>		
17	580046263	• Qty: 1	
	Link (Battery Hold Down)		
18	580041768	• Qty: 1	
	Cap		
19	580068079	• Qty: 1	
	Bracket (Hood Switch)		
20	580037180	• Qty: 1	
	Capscrew		
21	580047714	• Qty: 3	
	Capscrew => S/N A910V08450D		
21	580049231	• Qty: 3	
	Capscrew S/N A910V08451D =>		
22	940600908	• Qty: 1	
	Washer		
	582001376	• Qty: 1	
	Wire Harness (Seat Adapter) Not Illustrated		

6	582001209 582006378	• Qty: 1	
	Wire Harness (LPG Engine) (2010 Series)		
7	580027573	• Qty: 1	
	Nut (Flange)		
8	580049657	• Qty: 1	
	Bracket		
9	580041168	• Qty: 1	
	Battery Cable (Positive)		
9	580091916	• Qty: 1	
	Battery Cable (Positive) (Alternate Part)		
9	580063616	• Qty: 1	
	Terminal		
9	580063617	• Qty: 1	
	Terminal		
9	580006553	• Qty: 1	
	E-Ring		
9	580040374	• Qty: 1	
	Boot		
9	580049075	• Qty: 1	
	Boot		
10	580041153	• Qty: 1	
	Locknut (Not Illustrated) => 8/2006		
10	580026812	• Qty: 1	
	Clip 8/2006 =>		
11	580041154	• Qty: 1	
	Lockwasher (Not Illustrated) => 8/2006		
11	580056613	• Qty: 2	
	Fastener 8/2006 =>		
12	580037180	• Qty: 2	
	Capscrew		

	Sensor (Oxygen)		
--	-----------------	--	--

Ref #	Part # Description / Notes	Qty Data Links	
	580047016	• Qty: 1	
	Distributor		
1	580047018	• Qty: 1	
	Distributor Cap		
2	580047019	• Qty: 1	
	Rotor		
3	580047017	• Qty: 1	
	Cover		

A910 (GLC20VX, GLC25VX, GLC30VX, GLC35VX Europe) > ELECTRICAL SYSTEM Assembly > TRANSMISSION ELECTRICAL SYSTEM (S/N A910V07726D =>) Figure



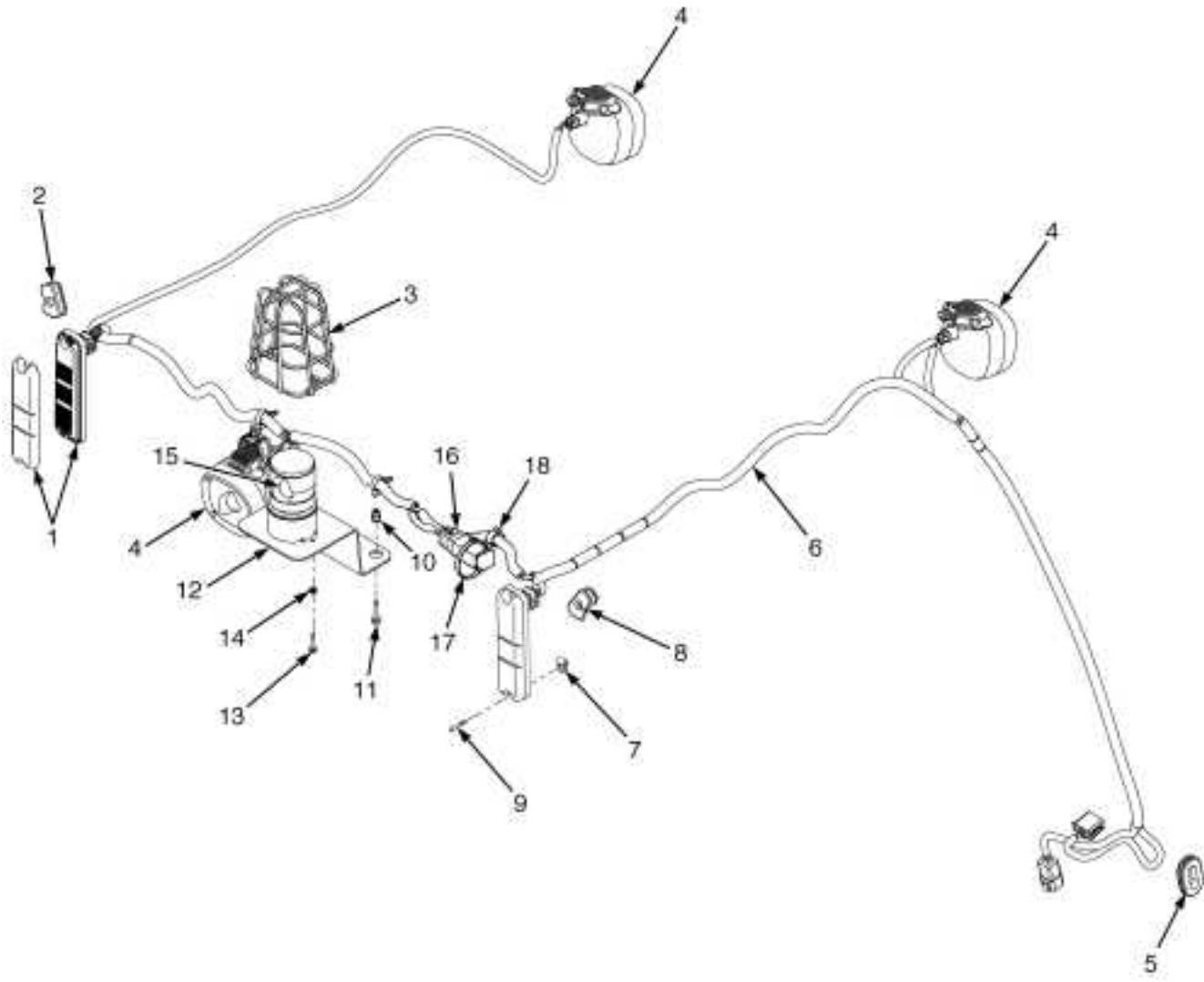
BP240182

Ref #	Part # Description / Notes	Qty Data Links	
1	580090521	• Qty: 1	
	Wire Harness (Transmission) (Mazda)		
1	580069841	• Qty: 1	
	Wire Harness (Transmission) (GM)		
2	580056613	• Qty: 2	
	Fastener		
3	580026812	• Qty: 2	
	Clip		

	Plug (Momentary Switch)		
3	NSS	• Qty: AR	
	Momentary Switch		
4	NSS	• Qty: AR	
	Mini-Lever		
4	580081812	• Qty: 1	
	Handle (Mini-Lever)		
5	NSS	• Qty: 1	
	Label (Shows Production Part Number)		
6	580062910	• Qty: 1	
	Plug (Mini-Lever)		
7		• Qty: 1	
	Control Labels		

	Momentary Switch		
3	NSS	• Qty: AR	
	Plug (Momentary Switch)		
4	NSS	• Qty: AR	
	Mini-Lever		
4	580081812	• Qty: 1	
	Handle (Mini-Lever)		
5	NSS	• Qty: 1	
	Label		
6		• Qty: 1	
	Control Labels		

A910 (GLC20VX, GLC25VX, GLC30VX, GLC35VX Europe) > ELECTRICAL SYSTEM Assembly > WORK, REAR DRIVE, AND BRAKE/ TAIL LIGHTS Figure



BP080216

Ref #	Part # Description / Notes	Qty Data Links	
1	580037207	• Qty: 2	
	Brake/Backup Light (Stop, Turn, Tail, And Back-Up)		

19	580054258	• Qty: 1	
	Switch		
20	NSS	• Qty: 1	
	Connector Assembly (Seat Harness)		
20	580042221	• Qty: 1	
	Connector	Bulletins	
20	580042222	• Qty: 1	
	Connector	Bulletins	
20	580039513	• Qty: 8	
	Terminal		
21	NSS	• Qty: 1	
	Connector Assembly (Alternate Horn Button)		
21	580021087	• Qty: 1	
	Connector		
21	580021088	• Qty: 1	
	Connector		
21	505968568	• Qty: 2	
	Terminal (Socket)		
22	520038820	• Qty: 1	
	Connector		
23	580030876	• Qty: 2	
	Clip		
24	520038820	• Qty: 1	
	Connector		
25	NSS	• Qty: 1	
	Connector Assembly (Back-Up Alarm)		
25	580021087	• Qty: 1	
	Connector		
25	580021088	• Qty: 1	
	Connector		

26	NSS	• Qty: 1	
	Connector (End Cap)		
26	520045068	• Qty: 1	
	Connector		
26	520045069	• Qty: 1	
	Terminal		
26	504288730	• Qty: 2	
	Seal		
27	NSS	• Qty: 1	
	Connector (Coolant Level)		
27	520045074	• Qty: 1	
	Plug		
27	520045069	• Qty: 1	
	Terminal		
27	504288733	• Qty: 2	
	Terminal		
27	580023845	• Qty: 2	
	Seal		
28	580037670	• Qty: 1	
	Connector (With Resistor) (End Cap)		
29	NSS	• Qty: 1	
	Connector Assembly (Bus Terminal)		
29	580020943	• Qty: 1	
	Connector (4-Way)		
29	580020944	• Qty: 1	
	Connector		
29	505968568	• Qty: 4	
	Terminal (Socket)		
30	NSS	• Qty: 1	
	Connector Assembly (Keyswitch)		

4	580036981	• Qty: 1	
	Connector	Bulletins	
4	580036986	• Qty: 1	
	Connector		
4	580039513	• Qty: 3	
	Terminal		
4	580019119	• Qty: 9	
	Plug		
5	NSS	• Qty: 1	
	Connector Assembly (Vehicle Systems manager)		
5	580047572	• Qty: 1	
	Pin		
5	580036986	• Qty: 1	
	Connector		
5	580039513	• Qty: 3	
	Terminal		
5	580019119	• Qty: 9	
	Plug		
6	910065119	• Qty: AR	
	Conduit		
7	580041641	• Qty: AR	
	Conduit		
8	NSS	• Qty: 1	
	Connector Assembly (Horn)		
8	580033515	• Qty: 1	
	Connector		
8	580033537	• Qty: 1	
	Connector Lock		
8	520045805	• Qty: 2	
	Seal		

	Connector	Bulletins	
54	580050627	• Qty: 2	
	Terminal	Bulletins	
55	NSS	• Qty: 1	
	Connector Assembly (Vehicle Systems Manager)		
55	580036984	• Qty: 1	
	Connector	Bulletins	
55	580039502	• Qty: 1	
	Connector		
55	580039513	• Qty: 8	
	Terminal		
55	580019119	• Qty: 4	
	Plug		
56	NSS	• Qty: 1	
	Connector Assembly (Vehicle Systems Manager)		
56	580036983	• Qty: 1	
	Connector	Bulletins	
56	580039502	• Qty: 1	
	Connector		
56	580039513	• Qty: 2	
	Terminal		
56	580019119	• Qty: 10	
	Plug		
57	NSS	• Qty: 1	
	Connector Assembly (Vehicle Systems Manager)		
57	580036982	• Qty: 1	
	Connector	Bulletins	
57	580039502	• Qty: 1	
	Connector		

	Terminal (Pin)		
31	NSS	• Qty: 1	
	Connector Assembly (Key Switch)		
31	580021087	• Qty: 1	
	Connector		
31	580021088	• Qty: 1	
	Connector		
31	505968568	• Qty: 2	
	Terminal (Socket)		
32	580039764	• Qty: 1	
	Clip		
33	NSS	• Qty: 1	
	Connector Assembly (Transmission Harness)		
33	580027208	• Qty: 1	
	Connector (Socket)		
33	505968568	• Qty: 17	
	Terminal (Socket)		
33	580019119	• Qty: 6	
	Plug		
34	580026808	• Qty: 1	
	Clip		
35	NSS	• Qty: 1	
	Connector Assembly (Engine Harness)		
35	580044931	• Qty: 1	
	Connector		
35	505968568	• Qty: 9	
	Terminal (Socket)		
35	580019119	• Qty: 10	
	Plug		
35	580039513	• Qty: 6	

CLICK HERE TO **DOWNLOAD** THE COMPLETE MANUAL

- Thank you very much for reading the preview of the manual.
- You can download the complete manual from: www.heydownloads.com by clicking the link below

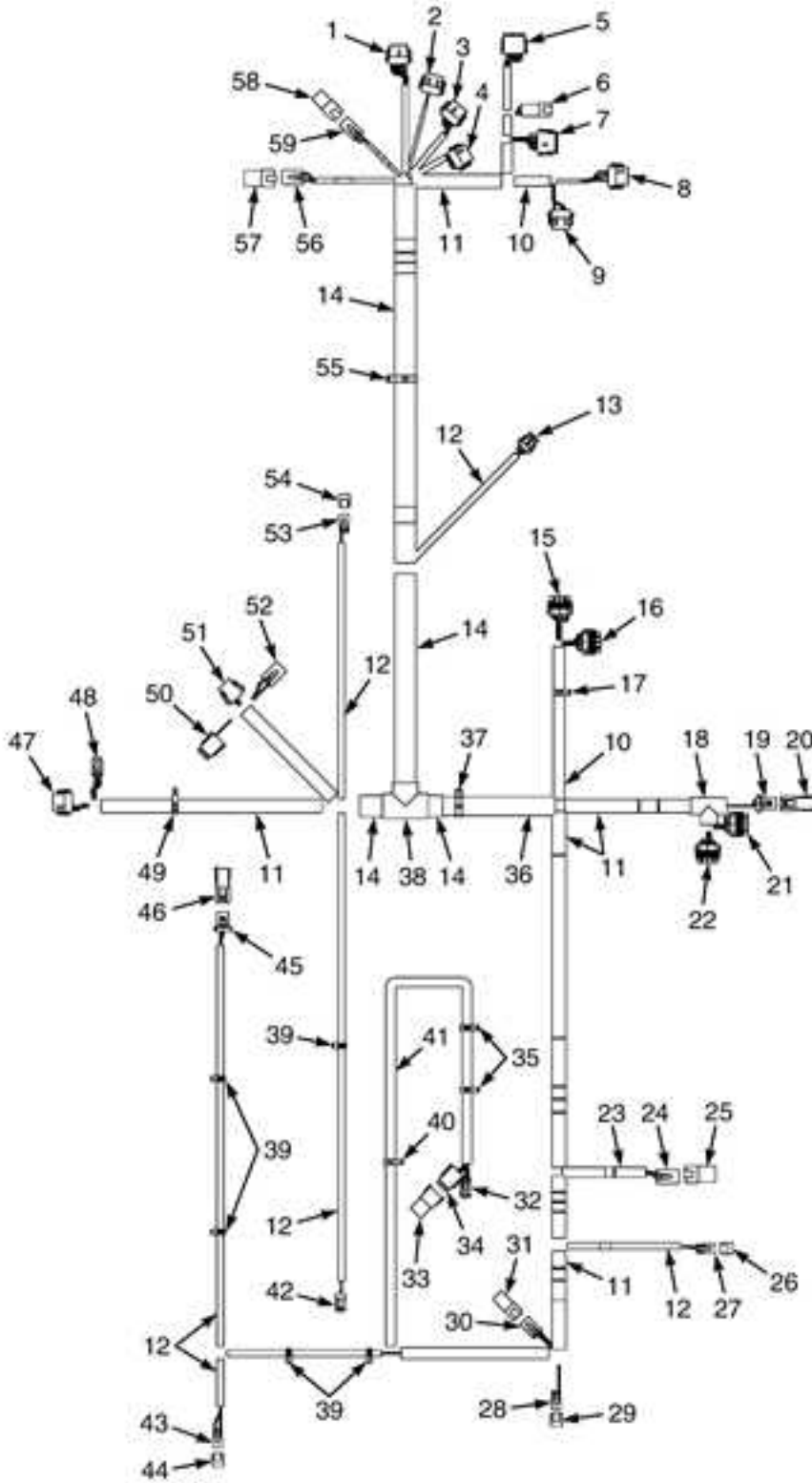


- Please note: If there is no response to CLICKING the link, please download this PDF first and then click on it.

CLICK HERE TO **DOWNLOAD** THE COMPLETE MANUAL

25	520045069	• Qty: 1	
	Terminal		
25	504288730	• Qty: 2	
	Seal		
26	NSS	• Qty: 1	
	Connector Assembly (Coolant Level)		
26	520045074	• Qty: 1	
	Plug		
26	520045069	• Qty: 1	
	Terminal		
26	504288733	• Qty: 2	
	Terminal		
26	580023845	• Qty: 2	
	Seal		
27	580037670	• Qty: 1	
	Connector (With Resistor) (End Cap)		
28	NSS	• Qty: 1	
	Connector Assembly		
28	580020943	• Qty: 1	
	Connector (4-Way)		
28	580020944	• Qty: 1	
	Connector		
28	505968568	• Qty: 4	
	Terminal (Socket)		
29	NSS	• Qty: 1	
	Connector Assembly (Hood Switch)		
29	580021087	• Qty: 1	
	Connector		
29	580021088	• Qty: 1	
	Connector		

A910 (GLC20VX, GLC25VX, GLC30VX, GLC35VX Europe) > ELECTRICAL SYSTEM Assembly > WIRE HARNESS (CHASSIS) (GM 2.4L) (S/N A910V15704H =>) Figure



80080982

Ref #	Part # Description / Notes	Qty Data Links	
	582004585	• Qty: 1	
	Wire Harness (Chassis)		

	Terminal		
45	504288733	• Qty: 2	
	Terminal		
45	580023845	• Qty: 2	
	Seal		
46	NSS	• Qty: 1	
	Connector Assembly (Endcap)		
46	520045068	• Qty: 1	
	Connector		
46	520045069	• Qty: 1	
	Terminal		
46	504288730	• Qty: 2	
	Seal		
47	NSS	• Qty: 1	
	Connector Assembly (To Transmission Harness)		
47	580036981	• Qty: 1	
	Connector	Bulletins	
47	580036986	• Qty: 1	
	Connector		
47	580039513	• Qty: 11	
	Terminal		
47	580019119	• Qty: 1	
	Plug		
48	NSS	• Qty: 1	
	Connector Assembly (To Transmission Harness)		
48	580039499	• Qty: 1	
	Connector	Bulletins	
48	580039500	• Qty: 1	
	Connector	Bulletins	
48	580039513	• Qty: 8	

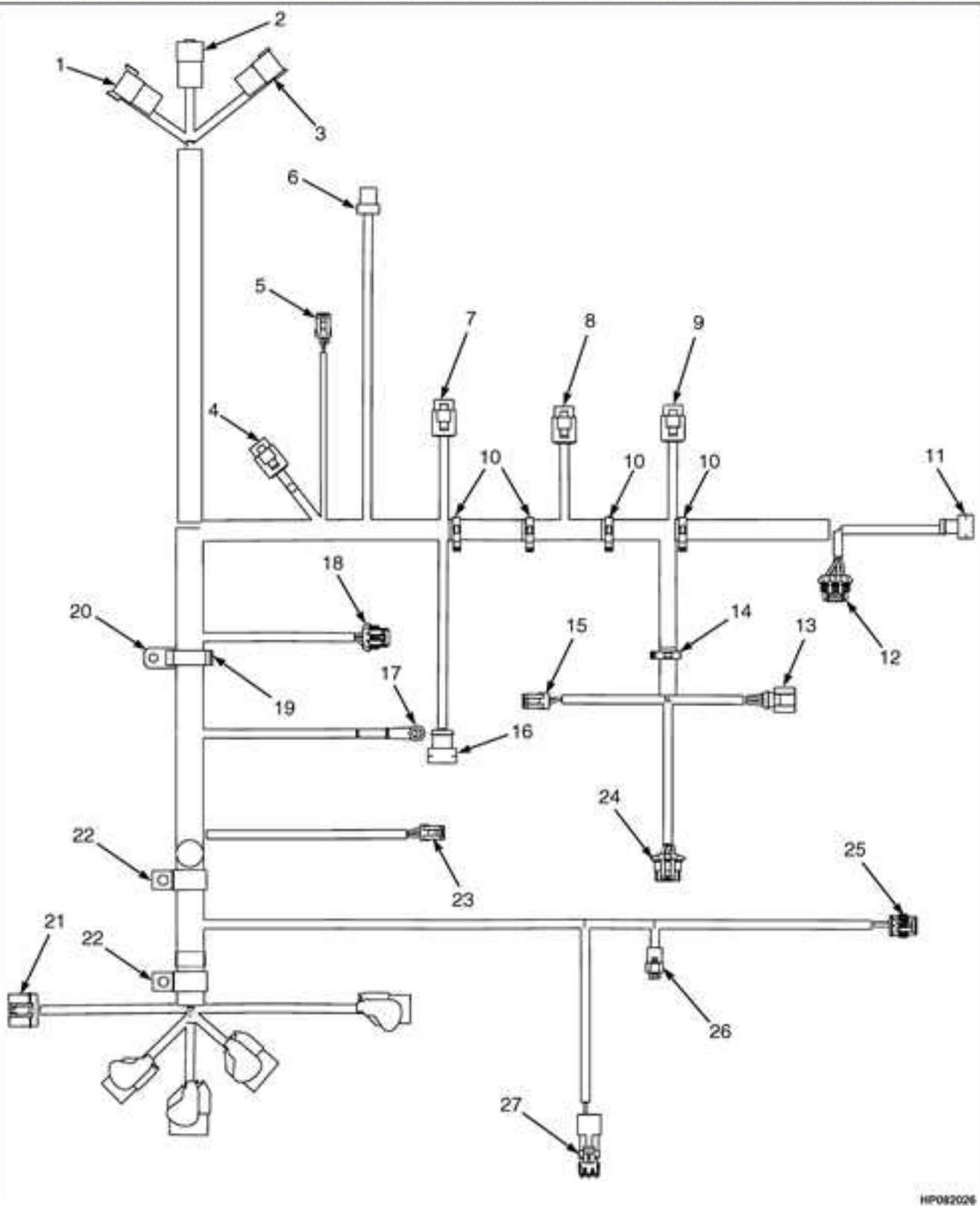
	Connector Body (Alternator)		
31	580049522	• Qty: 1	
	Connector Body (MAP Sensor)		
32	580049465	• Qty: 1	
	Connector (Throttle Position Sensor)		
33	580051001	• Qty: 1	
	Connector Body (Governor)		
34	580022996	• Qty: 1	
	Connector Body (Injector)		
35	580044126	• Qty: 1	
	Housing		
36	580026808	• Qty: 1	
	Clip		
37	580048721	• Qty: 2	
	Clip		
38	580046360	• Qty: 1	
	Connector (Chassis Harness)		
39	580055342	• Qty: 1	
	Connector (Starter)		
40	580055343	• Qty: 1	
	Terminal		

	Connector Assembly (Alternator)		
22	580025142	• Qty: 1	
	Fuse Holder		
23	NSS	• Qty: 1	
	Connector Assembly (Alternator)		
23	520044819	• Qty: 1	
	Fuse Connector		
23	580080024	• Qty: 1	
	Fuse Holder		
23	NSS	• Qty: 2	
	Terminal		
24	NSS	• Qty: 1	
	Connector Assembly (Pre-Catalytic O2 Sensor)		
24	580026649	• Qty: 4	
	Wire Seal		
24	580025799	• Qty: 1	
	Housing		
24	NSS	• Qty: 1	
	Lock		
24	NSS	• Qty: 4	
	Terminal		
24	505970586	• Qty: AR	
	Conduit		
25	580024032	• Qty: 1	
	Ring Terminal (Starter B+)		
26	NSS	• Qty: 1	
	Connector Assembly (Starter)		
26	580055342	• Qty: 1	
	Connector		
26	580055343	• Qty: 1	

6	505968566	• Qty: 10	
	Plug	Bulletins	
6	580019332	• Qty: 1	
	Washer (Spring)		
6	580019331	• Qty: 1	
	Locknut		
7	NSS	• Qty: 1	
	Connector Assembly (Injector)		
7	580064825	• Qty: 1	
	Connector		
7	580064826	• Qty: 2	
	Terminal		
7	580051026	• Qty: 2	
	Plug		
8	NSS	• Qty: 1	
	Connector Assembly (MAP Sensor)		
8	580064923	• Qty: 1	
	Connector		
8	580025558	• Qty: 4	
	Terminal		
8	580049815	• Qty: 4	
	Seal		
9	580026808	• Qty: 4	
	Clip		
10	NSS	• Qty: 1	
	Connector Assembly (Coolant Temperature Sensor)		
10	580064922	• Qty: 1	
	Connector		
10	580025558	• Qty: 2	
	Terminal		

	Terminal		
21	520045069	• Qty: 1	
	Terminal		
22	NSS	• Qty: 1	
	Connector Assembly (LPG Lockoff)		
22	580068120	• Qty: 1	
	Connector		
22	580051025	• Qty: 2	
	Terminal		
23	NSS	• Qty: 1	
	Connector Assembly (Air Restriction Sensor)		
23	580012324	• Qty: 1	
	Connector		
23	580012323	• Qty: 1	
	Connector		
23	520038875	• Qty: 2	
	Terminal		
23	580023845	• Qty: 2	
	Seal		
24	NSS	• Qty: 1	
	Connector Assembly (CPS "Peak And Hold")		
25	NSS	• Qty: 1	
	Connector Assembly (ECU "A")		
26	NSS	• Qty: 1	
	Connector Assembly (ECU "B")		
27	NSS	• Qty: 1	
	Connector Assembly (ECU "C")		
28	NSS	• Qty: 1	
	Connector Assembly (Latch Relay)		
28	580010545	• Qty: 1	

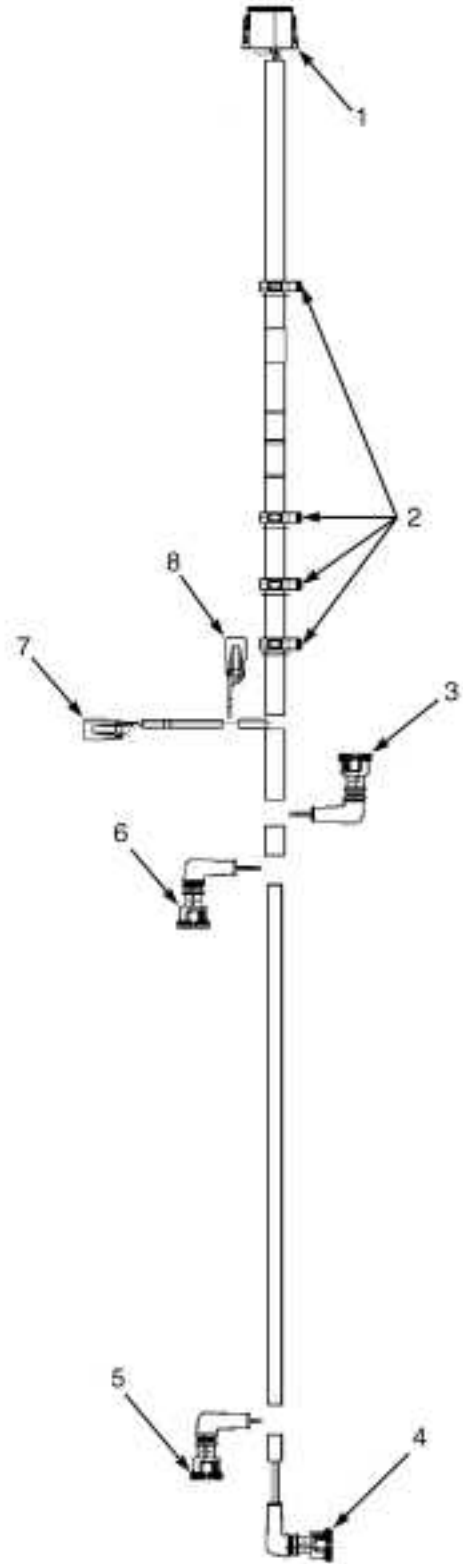
A910 (GLC20VX, GLC25VX, GLC30VX, GLC35VX Europe) > ELECTRICAL SYSTEM Assembly > WIRE HARNESS (GM 2.4L ENGINE, LPG) (WITH LOW FUEL SENSOR) Figure



HP082026

Ref #	Part # Description / Notes	Qty Data Links	
	582001420	• Qty: 1	
	Wire Harness (Engine, GM 2.4L, LPG)		

A910 (GLC20VX, GLC25VX, GLC30VX, GLC35VX Europe) > ELECTRICAL SYSTEM Assembly > WIRE HARNESS (ELECTRONIC CONTROL VALVE) (THREE FUNCTION) Figure

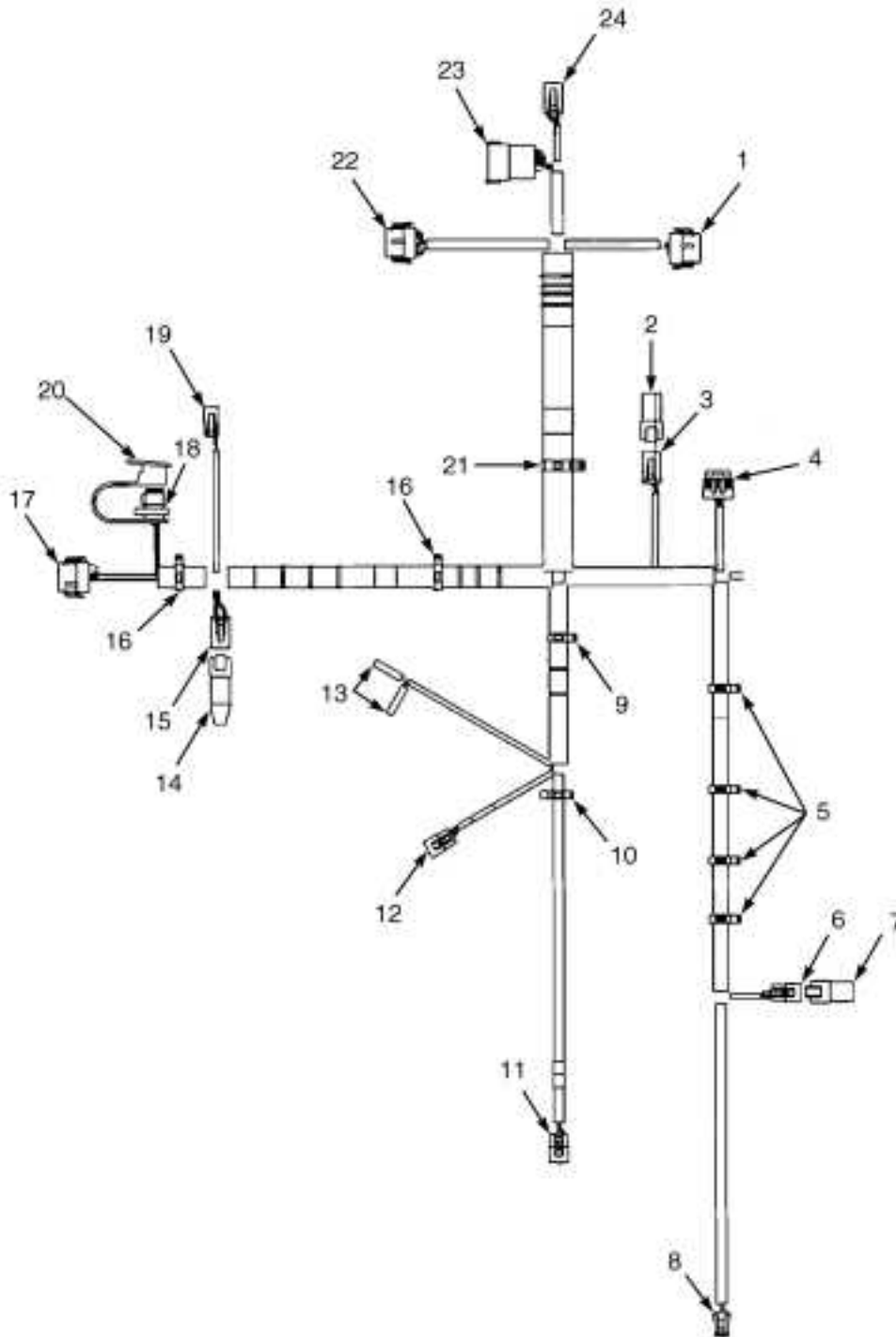


HP081704

Ref #	Part # Description / Notes	Qty Data Links	
	580040090	• Qty: 1	
	Wire Harness (Electronic Control Valve)		

1	NSS	• Qty: 1	
	Connector Assembly (To RH Chassis Harness)		
1	580069704	• Qty: 1	
	Connector	Bulletins	
1	580069705	• Qty: 1	
	Connector	Bulletins	
1	580041195	• Qty: 10	
	Terminal Pin		
1	580019119	• Qty: 2	
	Plug		
2	580025560	• Qty: 1	
	Clip		
3	580030876	• Qty: 2	
	Clip		
4	NSS	• Qty: 1	
	Connector Assembly (Temperature)		
4	580023944	• Qty: 1	
	Connector		
4	504288741	• Qty: 2	
	Terminal		
5	NSS	• Qty: 1	
	Connector Assembly (Clutch Forward/Reverse 1)		
5	580021087	• Qty: 1	
	Connector		
5	580021088	• Qty: 1	
	Connector		
5	505968568	• Qty: 2	
	Terminal (Socket)		
6	NSS	• Qty: 1	
	Connector Assembly (Forward/Reverse 1 Pressure)		

A910 (GLC20VX, GLC25VX, GLC30VX, GLC35VX Europe) > ELECTRICAL SYSTEM Assembly > WIRE HARNESS (COWL WITH FOOT DIRECTIONAL CONTROL PEDAL) (WITH RETURN TO SET TILT- E HYDRAULICS) (S/N A910V14519G <=> S/N A910V15920H) Figure

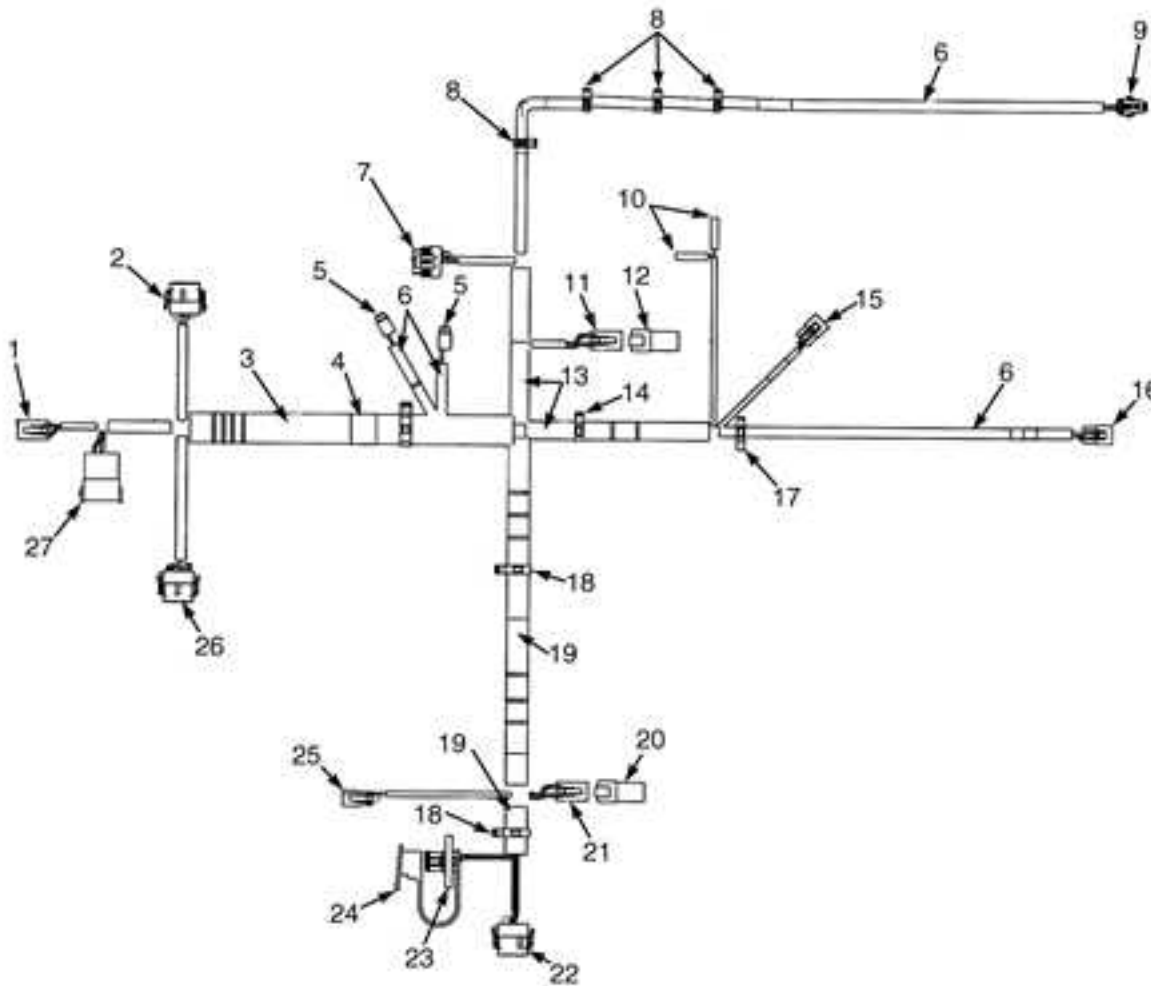


HP081702

Ref #	Part # Description / Notes	Qty Data Links
	580082486	• Qty: 1

1	NSS	• Qty: 1	
	Connector Assembly (Vehicle System Manager)		
1	580036982	• Qty: 1	
	Connector	Bulletins	
1	580039513	• Qty: 7	
	Terminal		
1	580019119	• Qty: 5	
	Plug		
1	580036986	• Qty: 1	
	Connector		
2	NSS	• Qty: 1	
	Connector Assembly (Accelerator Pedal Sensor)		
2	580038661	• Qty: 1	
	Connector		
2	580039158	• Qty: 6	
	Terminal		
3	580030876	• Qty: 4	
	Clip		
4	NSS	• Qty: 1	
	Connector Assembly (Brake Pressure)		
4	580063697	• Qty: 1	
	Connector		
4	580063751	• Qty: 1	
	Connector (Secondary Lock)		
4	580044852	• Qty: 3	
	Terminal (Socket)		
4	580044854	• Qty: 3	
	Seal		
5	580040120	• Qty: 1	
	Clip		

A910 (GLC20VX, GLC25VX, GLC30VX, GLC35VX Europe) > ELECTRICAL SYSTEM Assembly > WIRE HARNESS (COWL WITH FOOT DIRECTIONAL CONTROL PEDAL) (MANUAL WITH OPERATOR PRESENCE) (S/N A910V14519G <=> S/N A910V15920H) Figure



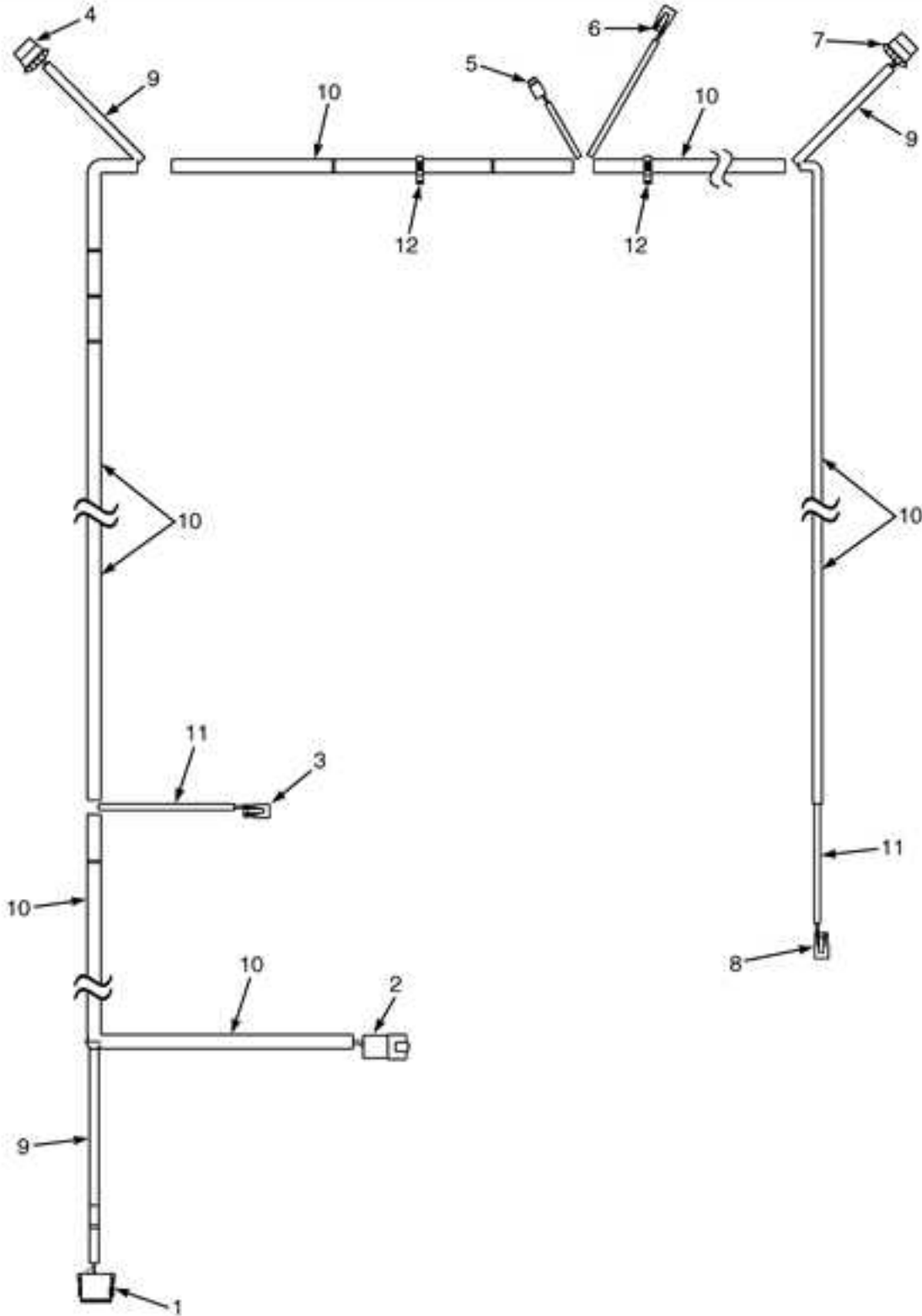
BP080710

Ref #	Part # Description / Notes	Qty Data Links	
	580089451	• Qty: 1	

12	580040120	• Qty: 1	
	Clip		
13	NSS	• Qty: 1	
	Park Brake		
13	580019139	• Qty: 1	
	Connector (3-Way)		
13	580019140	• Qty: 1	
	Connector		
13	505968568	• Qty: 3	
	Terminal (Socket)		
14	NSS	• Qty: 1	
	Brake Pedal		
14	580019139	• Qty: 1	
	Connector (3-Way)		
14	580019140	• Qty: 1	
	Connector		
14	505968568	• Qty: 3	
	Terminal (Socket)		
15	580025560	• Qty: 1	
	Clip		
16	580026808	• Qty: 1	
	Clip		
17	520045672	• Qty: AR	
	Conduit		
18	580037670	• Qty: 1	
	Connector (With Resistor)		
19	NSS	• Qty: 1	
	Bus Terminal		
19	580020943	• Qty: 1	
	Connector (4-Way)		

4	520045805	• Qty: 2	
	Seal		
4	580026649	• Qty: 1	
	Wire Seal		
5	NSS	• Qty: 1	
	Connector Assembly (Chassis Harness)		
5	580060784	• Qty: 1	
	Connector		
5	580033537	• Qty: 1	
	Connector Lock		
5	580023152	• Qty: 3	
	Connector Body (Male)		
5	520045805	• Qty: 2	
	Seal		
5	580026649	• Qty: 1	
	Wire Seal		
6	NSS	• Qty: 1	
	Connector Assembly (Hydraulic Oil Cooler Relay)		
6	580010545	• Qty: 1	
	Connector Body		
6	580027512	• Qty: 1	
	Lock		
6	580023845	• Qty: 4	
	Seal		
6	505968505	• Qty: 4	
	Seal		
6	504288730	• Qty: 1	
	Seal		

A910 (GLC20VX, GLC25VX, GLC30VX, GLC35VX Europe) > ELECTRICAL SYSTEM Assembly > WIRE HARNESS (LIGHTS) (6/2007 =>) Figure



BP080630

Ref #	Part # Description / Notes	Qty Data Links	
	580083051	• Qty: 1	
	Wire Harness (Lights)		

3	502566904	• Qty: 4	
	Washer		

	Hose Assy S/N A910V08954 => EXC. 8956-8957, 8961 (T133M01501)		
4	580049814	• Qty: 2	
	Clip		
5	580047714	• Qty: 2	
	Capscrew		
6	580026621	• Qty: 2	
	Nut		
7	580056465	• Qty: 1	
	Fitting		
7	052645400	• Qty: 1	
	O-Ring		
7	580019387	• Qty: 1	
	O-Ring		
8	514454800	• Qty: 1	
	Fitting		
8	052645400	• Qty: 1	
	O-Ring		

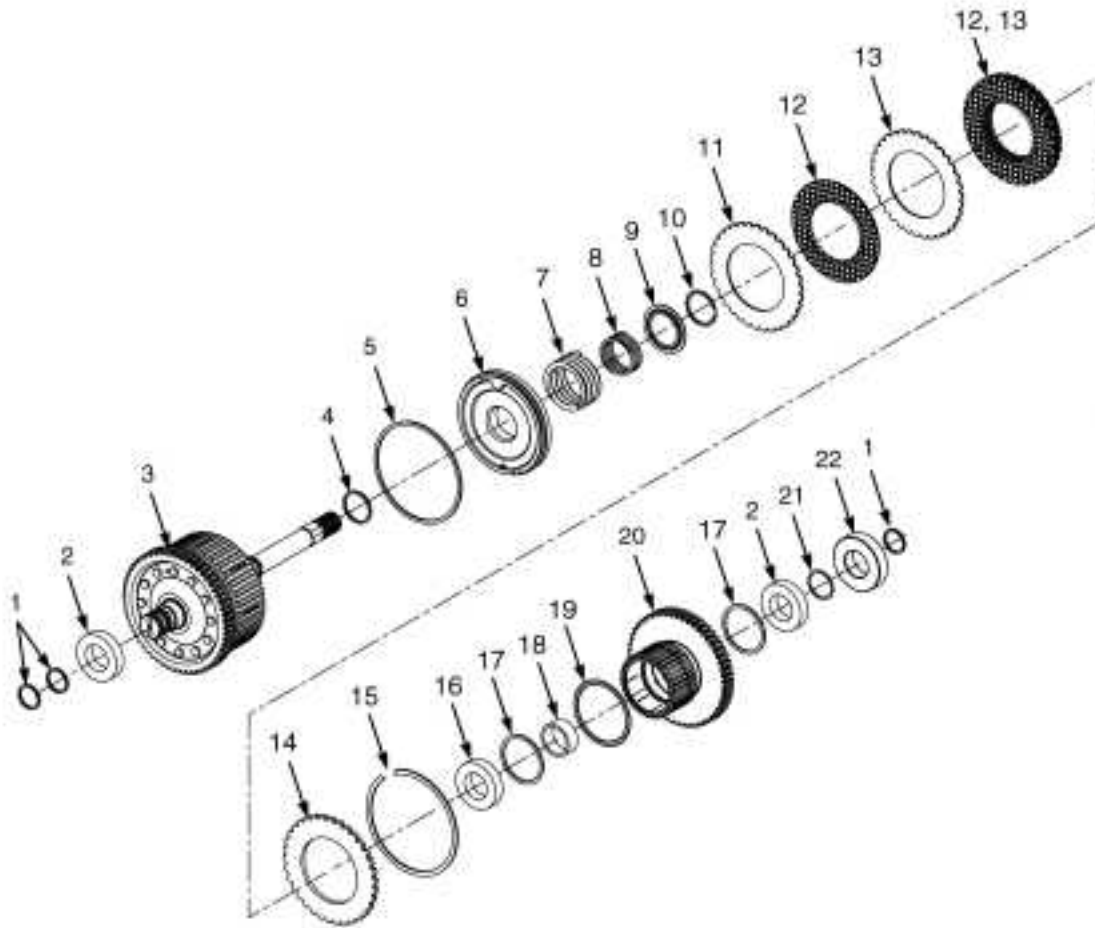
	Transmission Assy (Single Speed, Dry Brake)		
1	580066744	• Qty: 1	
	Hydraulic Control Valve		
2	449001050	• Qty: 11	
	Capscrew		
3	449021001	• Qty: 11	
	Washer		
4	580055553	• Qty: 1	
	Gasket		
5	514454800	• Qty: 1	
	Fitting		
6	580046285	• Qty: 1	
	Transmission Housing		
7	580046274	• Qty: 1	
	Oil Seal		
8	580046286	• Qty: 1	
	Yoke (24 Teeth)		
9	203153200	• Qty: 1	
	Capscrew		
10	015026600	• Qty: 1	
	Washer		
11	016110000	• Qty: 1	
	Washer		
12	580011108	• Qty: 1	
	Seal		
13	580060750	• Qty: 1	
	Clutch Pack (Input/ Forward)		
14	580045059	• Qty: 1	
	Sensor (Input Speed, TISS)		
15	580056272	• Qty: 1	

1	580070464	• Qty: 1	
	Converter Housing (Torque Converter)		
2	580059631	• Qty: 1	
	O-Ring		
3	580046273	• Qty: 1	
	Oil Seal (Torque Converter)		
4	580045064	• Qty: 1	
	Bearing		
5	580045062	• Qty: 1	
	Sprocket		
6	580046287	• Qty: 1	
	Stator		
6	580035701	• Qty: 1	
	Bushing		
6	NSS	• Qty: 1	
	Stator		
7	504057795 449022013	• Qty: 4	
	Lockwasher		
8	449001302	• Qty: 4	
	Capscrew		
9	580074889	• Qty: 1	
	Gasket (Torque Converter Housing To Cover)		
10	580046279	• Qty: 1	
	Screen (Suction)		
11	580070356	• Qty: 1	
	Baffle		
12	580046280	• Qty: 1	
	Spring (Suction Screen)		
13	580036023	• Qty: 1	
	Temperature Sensor		

38	500025905	• Qty: 1	
	Ball Bearing		
39	505967598	• Qty: 1	
	Magnet		
40	580074893	• Qty: 1	
	Shield (Upper) (Oil)		
41	449022018	• Qty: 8	
	Washer		
42	449001160	• Qty: 4	
	Capscrew		
43	580074894	• Qty: 1	
	Shield (Lower) (Oil)		
44	580074892	• Qty: 1	
	Baffle		
45	580074162	• Qty: 1	
	Converter Housing		
46	580036023	• Qty: 1	
	Temperature Sensor		
47	580046280	• Qty: 1	
	Spring (Suction Screen)		
48	580074890	• Qty: 1	
	Screen (Suction)		
49	810646400	• Qty: 1	
	Fitting		
49	052645800	• Qty: 1	
	O-Ring		
50	449001412	• Qty: 4	
	Capscrew		
51	580046277	• Qty: 1	
	Cover Plate		
52	580046273	• Qty: 1	

	Transmission Assy		
1	582011224	• Qty: 1	
	Transmission Housing		
2	580094879	• Qty: 1	
	Gasket		
3	580090094	• Qty: 1	
	Cover		
4	582004818	• Qty: 2	
	Roll Pin		
5	580074887	• Qty: 1	
	Spacer		
6	580035708	• Qty: 1	
	Nut		
7	550020335	• Qty: 1	
	Transmission Filter		
8	580087195	• Qty: 1	
	Clutch Pack (Reverse)		
9	580087194	• Qty: 1	
	Clutch Pack (Forward)		
10	502604901	• Qty: 1	
	O-Ring		
11	950409907	• Qty: 2	
	Ball Bearing		
12	514454800	• Qty: 3	
	Fitting		
13	580050042	• Qty: 2	
	Dowel		
14	580045451	• Qty: 26	
	Drive Axle		
15	500390901	• Qty: 1	

A910 (GLC20VX, GLC25VX, GLC30VX, GLC35VX Europe) > TRANSMISSION Assembly > FORWARD CLUTCH (SINGLE SPEED TRANSMISSION) (=> S/N A910V08953E INC. 08956-08957, 08961) Figure



HP240528

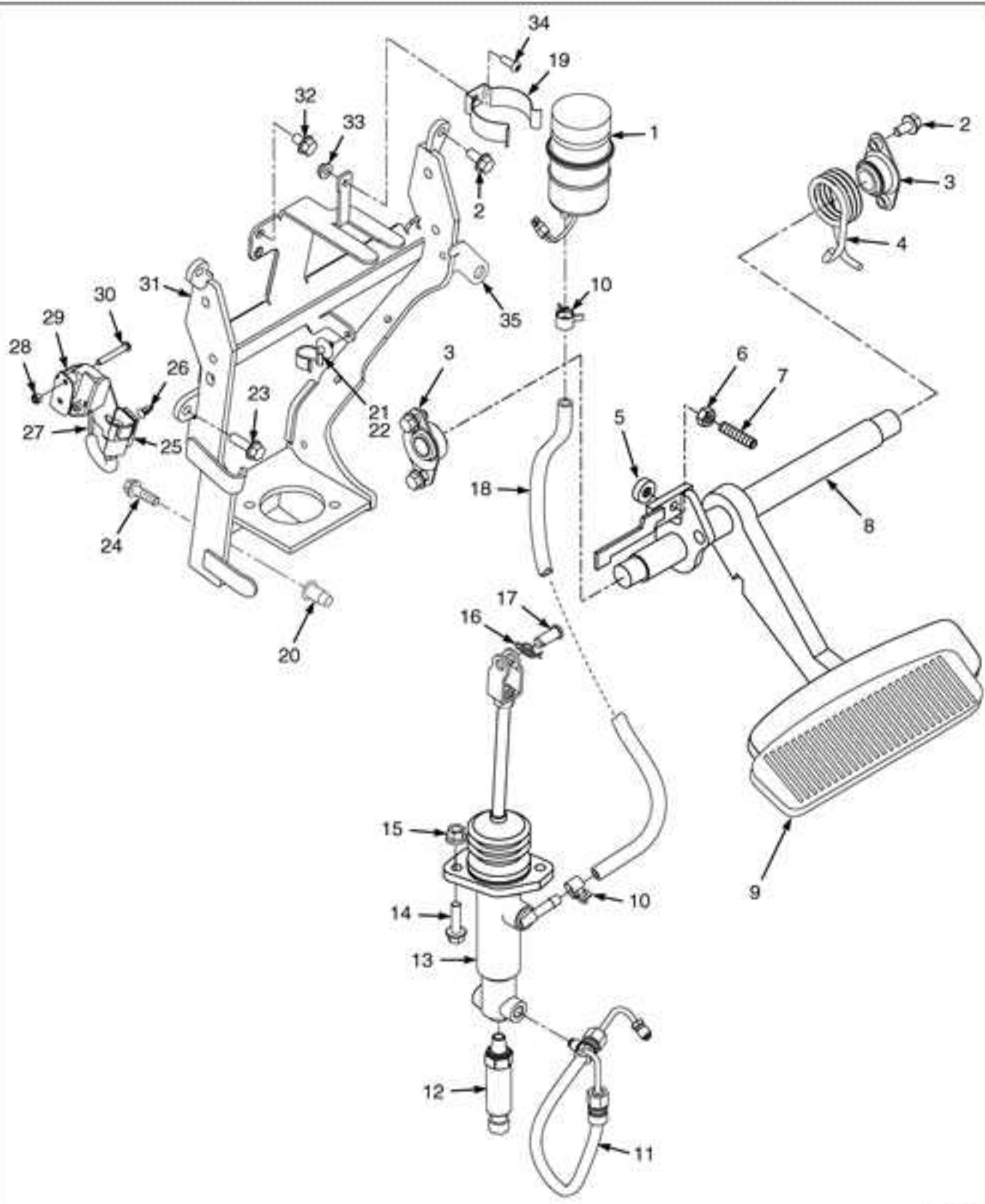
Ref #	Part # Description / Notes	Qty Data Links
	580060750	• Qty: 1

	Clutch Pack (Counter/ Reverse)		
1	NSS	• Qty: 2	
	Seal Part of Kit 580060755, 580060756		
2	580055213	• Qty: 2	
	Ball Bearing		
3	580055211	• Qty: 1	
	Shaft		
4	NSS	• Qty: 1	
	Seal Part of Kit 580060755, 580060756		
5	NSS	• Qty: 1	
	Seal Part of Kit 580060755, 580060756		
6	580048161	• Qty: 1	
	Piston		
7	580055204	• Qty: 1	
	Spring		
8	580055193	• Qty: 1	
	Spring		
9	580055195	• Qty: 1	
	Spring Guide		
10	580055196	• Qty: 1	
	Snap Ring		
11	NSS	• Qty: 1	
	Conical Plate Part of Kit 580042533, 580060756		
12	NSS	• Qty: 5	
	Friction Plate Part of Kit 580042533, 580060756		

	Spool (Regulator) T117M0014015 =>		
11	580066841	• Qty: 1	
	Spool (Regulator) T133M01501 =>		
12	580056466	• Qty: 1	
	Spring (Proportional Control Regulator)		
13	580043203	• Qty: 1	
	Spool (Proportional Supply Regulator)		
14	580035731	• Qty: 1	
	Spring (Proportional Supply Regulator)		
15	580056467	• Qty: 1	
	Clip => T117M0014014		
16	449022016	• Qty: 1	
	Lockwasher => T117M0014014		
17	449001013	• Qty: 1	
	Capscrew => T117M0014014		

	580037271	• Qty: 1	
	Steering Control Unit (GLC35VX)		
1	NSS	• Qty: 1	
	Dust Seal Part of Kit 580054569		
2	NSS	• Qty: 1	
	Housing		
3	NSS	• Qty: 1	
	Relief Valve		
4	NSS	• Qty: 1	
	Bushing		
5	NSS	• Qty: 1	
	Check Ball		
6	NSS	• Qty: 1	
	Check Ball		
7	NSS	• Qty: 1	
	Seat		
8	NSS	• Qty: 1	
	O-Ring Part of Kit 580054569		
9	NSS	• Qty: 1	
	Bearing Set		
10	NSS	• Qty: 1	
	Ring		
11	NSS	• Qty: 1	
	Spool		
12	NSS	• Qty: 1	
	Pin		
13	NSS	• Qty: 1	
	Sleeve		
14	NSS	• Qty: 1	
	Spring Set		

A910 (GLC20VX, GLC25VX, GLC30VX, GLC35VX Europe) > BRAKE SYSTEM Assembly > BRAKE LINKAGE (SINGLE PEDAL) (=> S/N A910V15920H) Figure



HP040435

Ref #	Part # Description / Notes	Qty Data Links
1	934403300	• Qty: 1

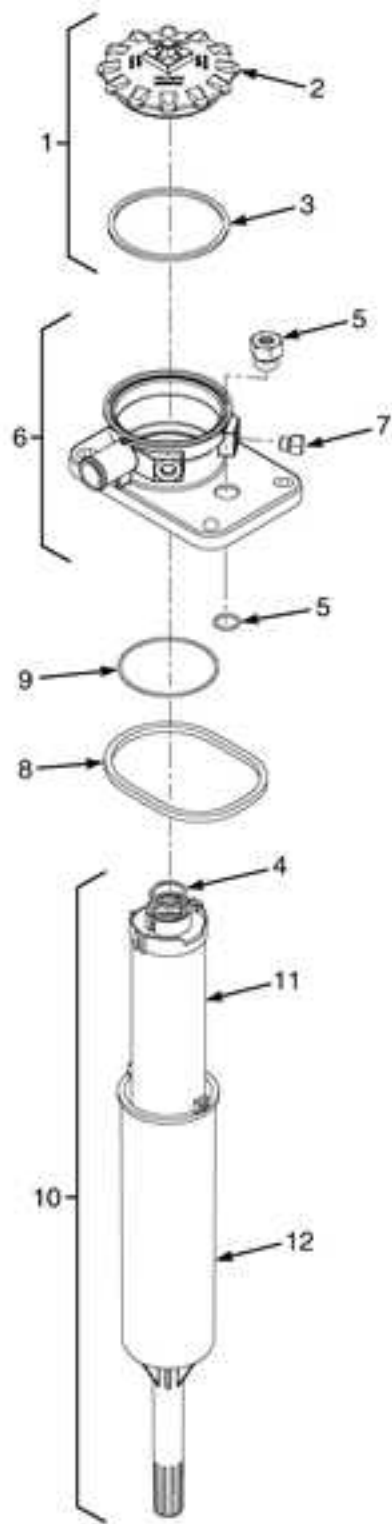
	Capscrew		
29	580026812	• Qty: 1	
	Clip (Connector) => S/N A910V15920H		
29	580026812	• Qty: ..	
	Clip S/N A910V15921H =>		
30	580050676	• Qty: 1	
	Clip (Key Hole) => S/N A910V15920H		
30	580050676	• Qty: ..	
	Clip (Key Hole) S/N A910V15921H =>		
31	580044785	• Qty: 1	
	Sensor (Brake Position) => S/N A910V15920H		
31	580044785	• Qty: 1	
	Sensor (Brake Position) S/N A910V15921H =>		
31	580095973	• Qty: 1	
	Capscrew S/N A910V15921H =>		
31	937100904	• Qty: 1	
	Nut S/N A910V15921H =>		
32	449015112	• Qty: 2	
	Locknut		
33	580056625	• Qty: 1	
	Bracket (Inching Sensor)		
33	582001972	• Qty: 1	
	Mount (Inching Sensor) (Alternate Part)		
34	580047034	• Qty: 2	
	Capscrew		
35	580052924	• Qty: 1	
	Bracket Wldmt		
36	580047742	• Qty: 1	

6	NSS	• Qty: 1	
	Housing		
7	580052379	• Qty: 1	
	Gasket		
8	580052378	• Qty: 1	
	Fitting		
9	NSS	• Qty: 1	
	Seal		
10	NSS	• Qty: 1	
	Piston		
11	NSS	• Qty: 1	
	Spacer		
12	NSS	• Qty: 1	
	Piston Cup		
13	NSS	• Qty: 1	
	Retainer		
14	NSS	• Qty: 1	
	Spring		

Adhesive		
----------	--	--

8	580055595	<ul style="list-style-type: none"> Qty A: 1 Qty B: .. 	
	Gear Set		
8	580057490	<ul style="list-style-type: none"> Qty A: .. Qty B: 1 	
	Gear Set		
8	NSS	<ul style="list-style-type: none"> Qty A: 1 Qty B: 1 	
	Drive Gear		
8	NSS	<ul style="list-style-type: none"> Qty A: 1 Qty B: 1 	
	Driven Gear		
9	NSS	<ul style="list-style-type: none"> Qty A: 1 Qty B: 1 	
	Gear Plate		
10	582000617	<ul style="list-style-type: none"> Qty A: 1 Qty B: 1 	
	Cover		
11	580054027	<ul style="list-style-type: none"> Qty A: 4 Qty B: .. 	
	Screw		
11	580054034	<ul style="list-style-type: none"> Qty A: .. Qty B: 4 	
	Screw		
	580012159	<ul style="list-style-type: none"> Qty A: 1 Qty B: 1 	
	Kit-Seal		

A910 (GLC20VX, GLC25VX, GLC30VX, GLC35VX Europe) > HYDRAULIC SYSTEM Assembly > HYDRAULIC FILTER (S/N A910V15436G =>) Figure

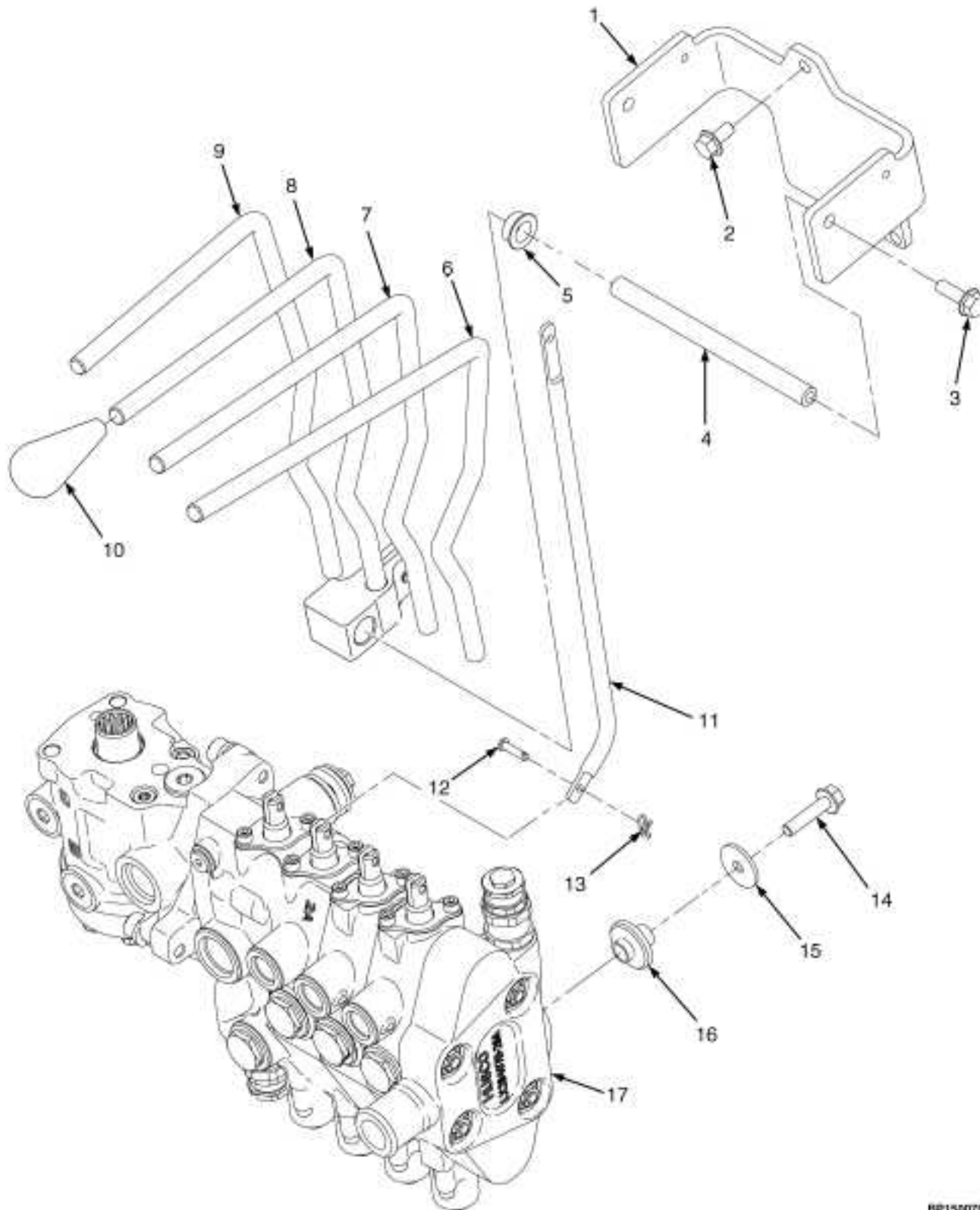


IP150355

Ref #	Part # Description / Notes	Qty Data Links
	582000047	• Qty: 1

	Lever (Auxiliary One and Two) S/N A910V12014F => EXC. 12022-12024, 12037		
19	580067667	• Qty: 1	
	Lever (Tilt) => S/N A910V12013F		
19	580084412	• Qty: 1	
	Lever (Tilt) S/N A910V12014F => EXC. 12022-12024, 12037		
20	580067666	• Qty: 1	
	Lever (Lift) => S/N A910V12013F		
20	580084411	• Qty: 1	
	Lever (Lift) S/N A910V12014F => EXC. 12022-12024, 12037		
21	580056844	• Qty: 3	
	Knob		
22	580058269	• Qty: 3	
	Capscrew		
23	580056666	• Qty: 3	
	Washer		
24	580044129	• Qty: 3	
	Isolator		
25	580045014	• Qty: 1	
	Hydraulic Control Valve (Manual) (GLC20, 25, 30VX) => S/N A910V10536E		
25	580079053	• Qty: 1	
	Hydraulic Control Valve (Manual) (GLC20, 25, 30VX) S/N A910V10537E <=> PENDING PER ECN 105330		
25	580090439	• Qty: 1	
	Hydraulic Control Valve (Manual) (GLC20, 25, 30VX) PENDING PER ECN 105330 =>		
25	580045018	• Qty: 1	
	Hydraulic Control Valve (Manual) (GLC35VX) => S/N A910V10924E		

A910 (GLC20VX, GLC25VX, GLC30VX, GLC35VX Europe) > HYDRAULIC SYSTEM Assembly > HAND LEVERS (FOUR FUNCTION) (WITHOUT DETENTED LEVERS) Figure



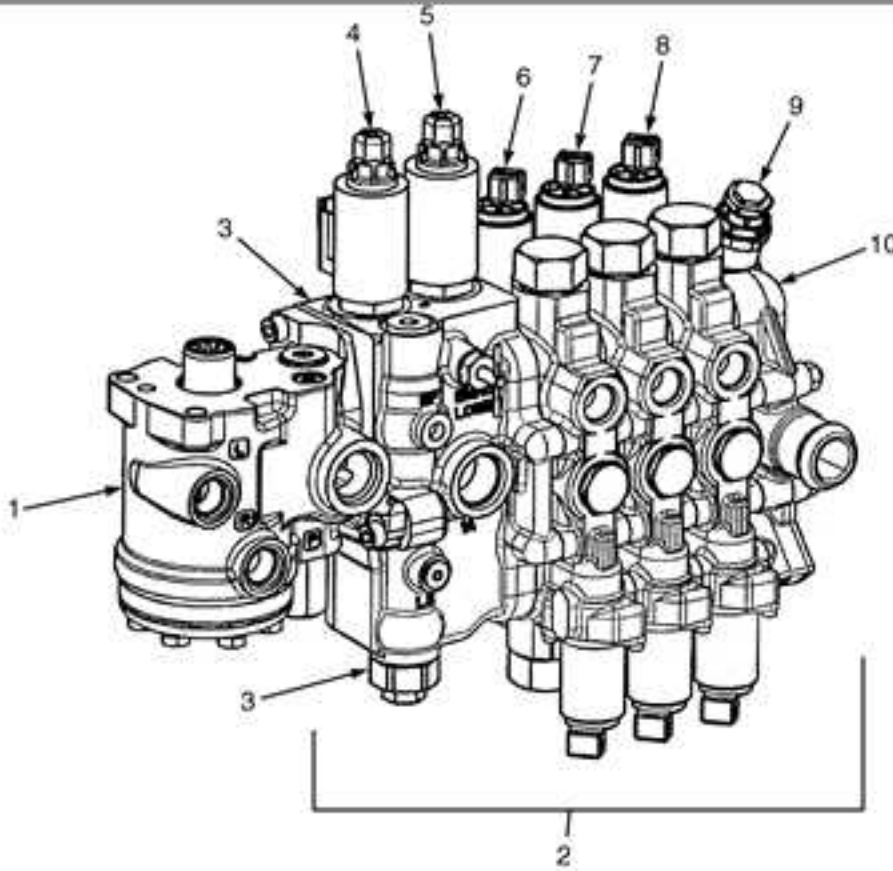
BP150078

Ref #	Part # Description / Notes	Qty Data Links	
1	580067891	• Qty: 1	
	Bracket => S/N A910V10536E		

1	580088718	<ul style="list-style-type: none"> • Qty A: 1 • Qty B: 2 	
	Solenoid Assembly (Double Function)		
2	580088729	<ul style="list-style-type: none"> • Qty A: 1 • Qty B: .. 	
	Solenoid Assembly (Single Function)		
3	580052297	<ul style="list-style-type: none"> • Qty A: 4 • Qty B: 4 	
	Capscrew		
4	580085134	<ul style="list-style-type: none"> • Qty A: 3 • Qty B: 4 	
	Needle Roller		
5		<ul style="list-style-type: none"> • Qty A: 1 • Qty B: 1 	
	Manual Control Valve		

	Relief Valve (3400 PSI) (Main Relief)		
19	580054995	• Qty: 1	
	Plug		
20	580054998	• Qty: 1	
	Screw		
21	580054999	• Qty: 1	
	Nut		
22	580054996	• Qty: 1	
	Washer		
23	580054997	• Qty: 1	
	Poppet		
24	580054672	• Qty: 1	
	Kit-Seal		

A910 (GLC20VX, GLC25VX, GLC30VX, GLC35VX Europe) > HYDRAULIC SYSTEM Assembly > HYDRAULIC CONTROL VALVE (ELECTRONIC VALVE ASSEMBLY) (THREE AND FOUR FUNCTION) (S/N A910V10146E => (4 Function, Low Relief)) (S/N A910V10191E => (3 Function, Low Relief)) (S/N A910V10522E => (4 Function, High Relief)) (S/N A910V10963E => (3 Function, High Relief)) Figure



BP140112

View All Qtys

A: Three Function Valve, Low Relief

D: Four Function Valve, High Relief

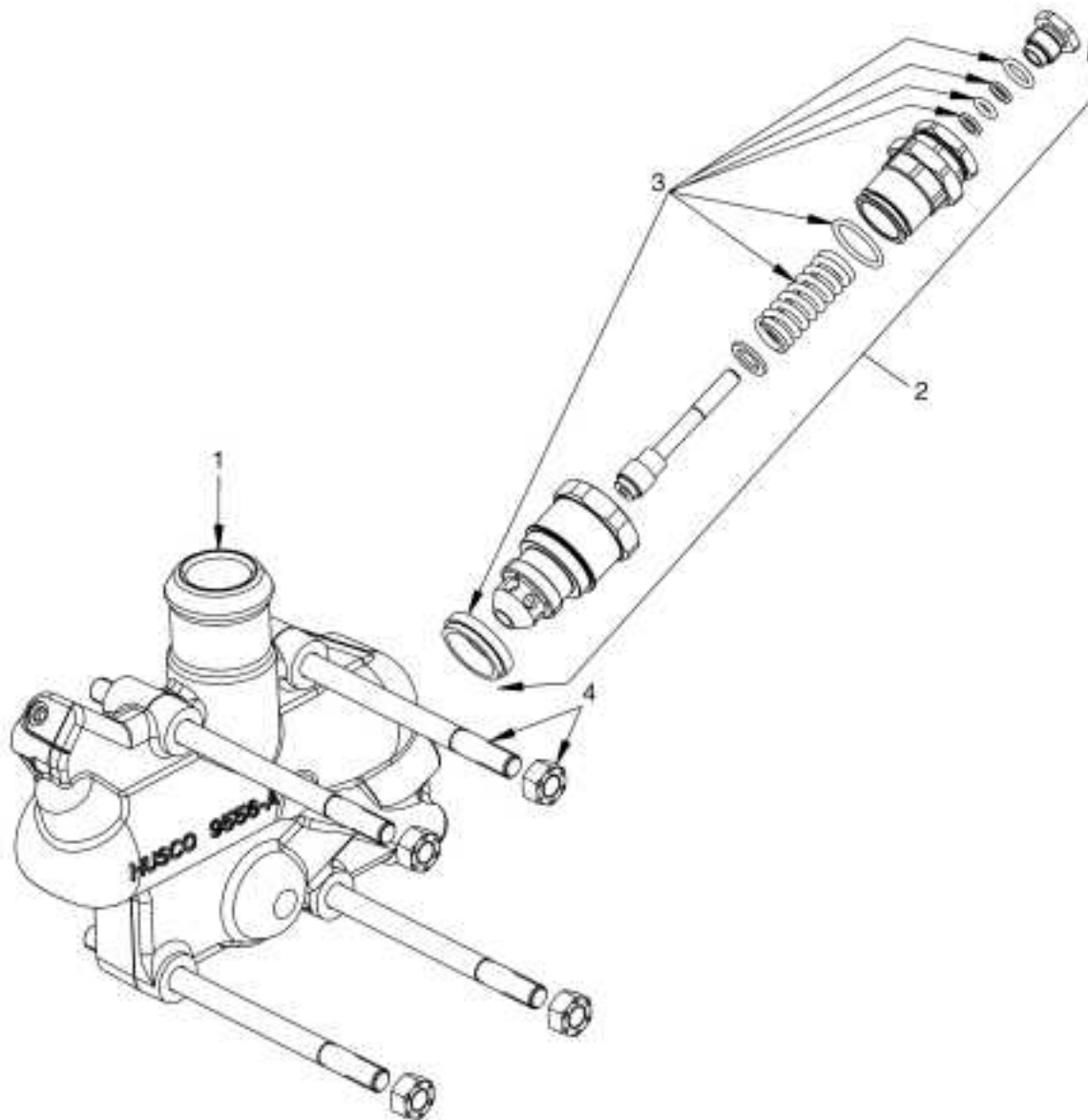
B: Four Function Valve, Low Relief

C: Three Function Valve, High Relief

Ref #	Part # Description / Notes	Qty Data Links	
	580079400	<ul style="list-style-type: none"> Qty A: 1 Qty B: .. Qty C: .. Qty D: .. 	
	Hydraulic Control Valve (Electronic) => 6/2009		
	580087422	<ul style="list-style-type: none"> Qty A: 1 Qty B: .. Qty C: .. Qty D: .. 	
	Hydraulic Control Valve (Electronic) 7/2009 =>		

	Poppet Valve (Lower) => PENDING PER ECN 10532211		
1	580094288	• Qty: 1	
	Poppet Valve PENDING PER ECN 10532211 =>		
2	580072347	• Qty: 1	
	Nut		
3	580054933	• Qty: 1	
	Coil		
4	580054935	• Qty: 1	
	Tube Assy (Solenoid)		
5	580054936	• Qty: 1	
	Spring		
6	580058016	• Qty: 1	
	Poppet => PENDING PER ECN 10532211		
6	580094305	• Qty: 1	
	Poppet Valve PENDING PER ECN 10532211 =>		
7	580058015	• Qty: 1	
	Sleeve		
8	580059270	• Qty: 1	
	Poppet Valve (Lift)		
9	580072347	• Qty: 1	
	Nut		
10	580054933	• Qty: 1	
	Coil		
11	580058014	• Qty: 1	
	Tube Assy (Solenoid)		
12	580058012	• Qty: 1	
	Spring		
13	580058011	• Qty: 1	

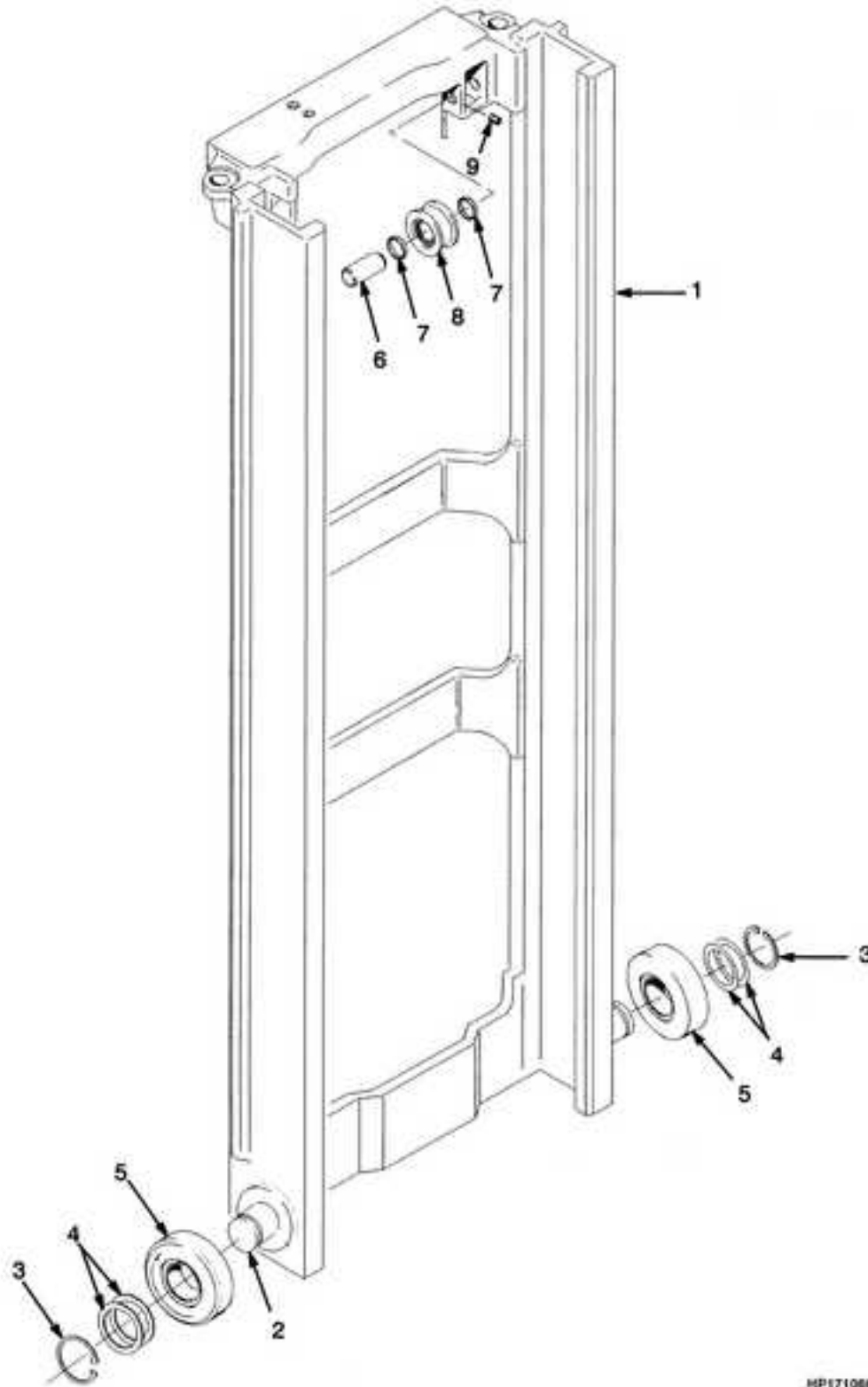
A910 (GLC20VX, GLC25VX, GLC30VX, GLC35VX Europe) > HYDRAULIC SYSTEM Assembly > HYDRAULIC CONTROL VALVE (ELECTRONIC VALVE OUTLET SECTION) (THREE AND FOUR FUNCTION) Figure



BP140075

Ref #	Part # Description / Notes	Qty Data Links
1	580054043	<ul style="list-style-type: none"> Qty: 1

A910 (GLC20VX, GLC25VX, GLC30VX, GLC35VX Europe) > MAST-TWO STAGE LIMITED FREE-LIFT Assembly > INNER MAST (TWO STAGE LIMITED FREE-LIFT) Figure

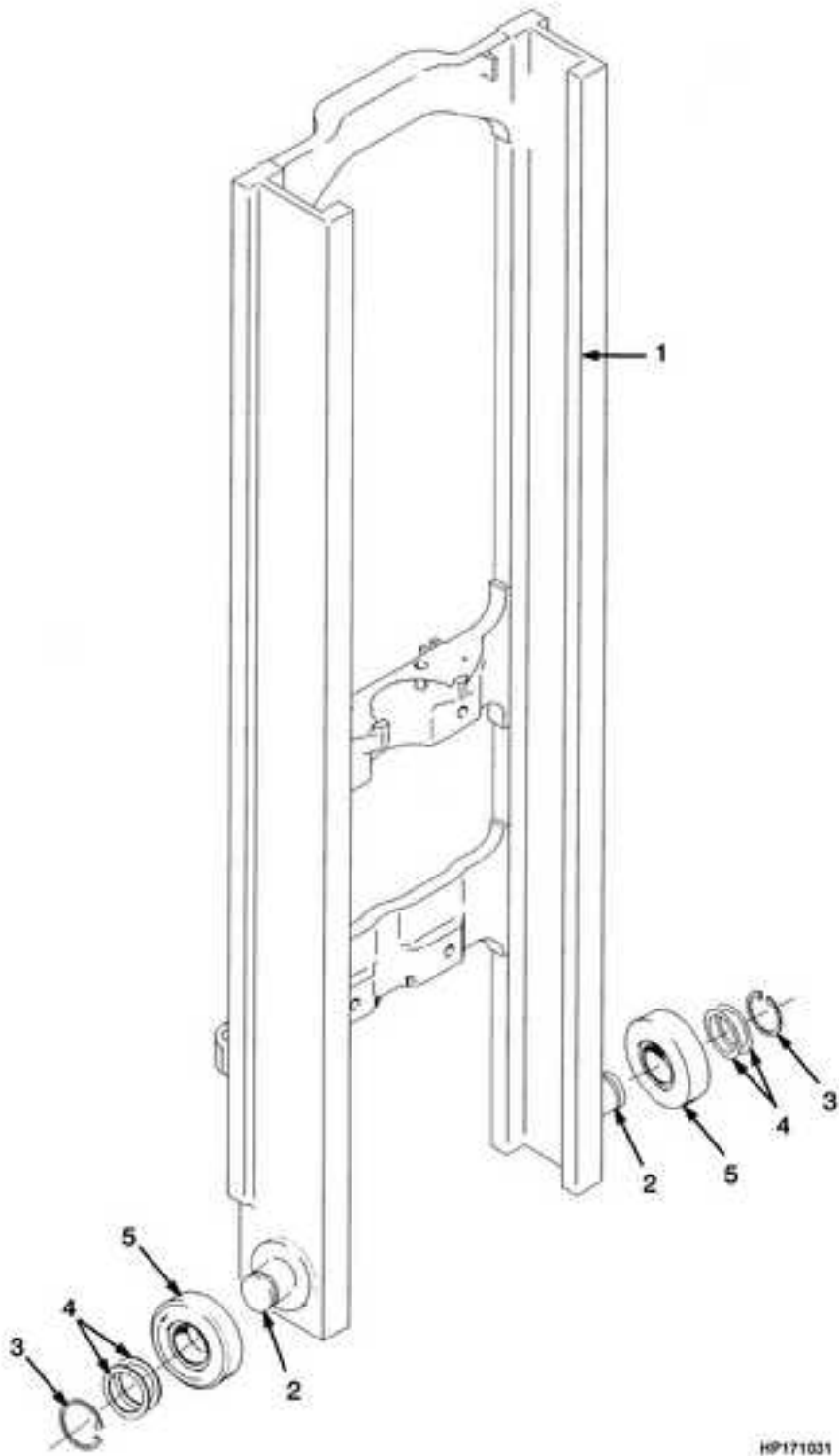


HP171066

Ref #	Part # Description / Notes	Qty Data Links
	580035465	• Qty: 1

	Tube Wldmt-Cylinder (LEFT HAND) D562-3659 / 3659 mm (144.1 in.) Bottom of Forks		
8	524169465	<ul style="list-style-type: none"> Qty A: .. Qty B: 1 	
	Tube Wldmt-Cylinder (RIGHT HAND) D562-3659 / 3659 mm (144.1 in.) Bottom of Forks		
9	519457609	<ul style="list-style-type: none"> Qty A: 1 Qty B: .. 	
	Cylinder Rod (LEFT HAND) D507-3252 / 3252 mm (128.0 in.) Bottom of Forks		
9	519457609	<ul style="list-style-type: none"> Qty A: 1 Qty B: .. 	
	Cylinder Rod (RIGHT HAND) D507-3252 / 3252 mm (128.0 in.) Bottom of Forks		
9	519461601	<ul style="list-style-type: none"> Qty A: 1 Qty B: .. 	
	Cylinder Rod (RIGHT HAND) D507-4792 / 4792 mm (188.7 in.) Bottom of Forks		
9	518831610	<ul style="list-style-type: none"> Qty A: .. Qty B: 1 	
	Cylinder Rod (LEFT HAND) D562-3159 / 3159 mm (124.4 in.) Bottom of Forks		
9	518831610	<ul style="list-style-type: none"> Qty A: .. Qty B: 1 	
	Cylinder Rod (RIGHT HAND) D562-3159 / 3159 mm (124.4 in.) Bottom of Forks		
9	518831615	<ul style="list-style-type: none"> Qty A: .. Qty B: 1 	
	Cylinder Rod (LEFT HAND) D562-3659 / 3659 mm (144.1 in.) Bottom of Forks		
9	518831615	<ul style="list-style-type: none"> Qty A: .. Qty B: 1 	

A910 (GLC20VX, GLC25VX, GLC30VX, GLC35VX Europe) > MAST-THREE STAGE FULL FREE-LIFT Assembly > INNER MAST (THREE STAGE FULL FREE-LIFT) Figure



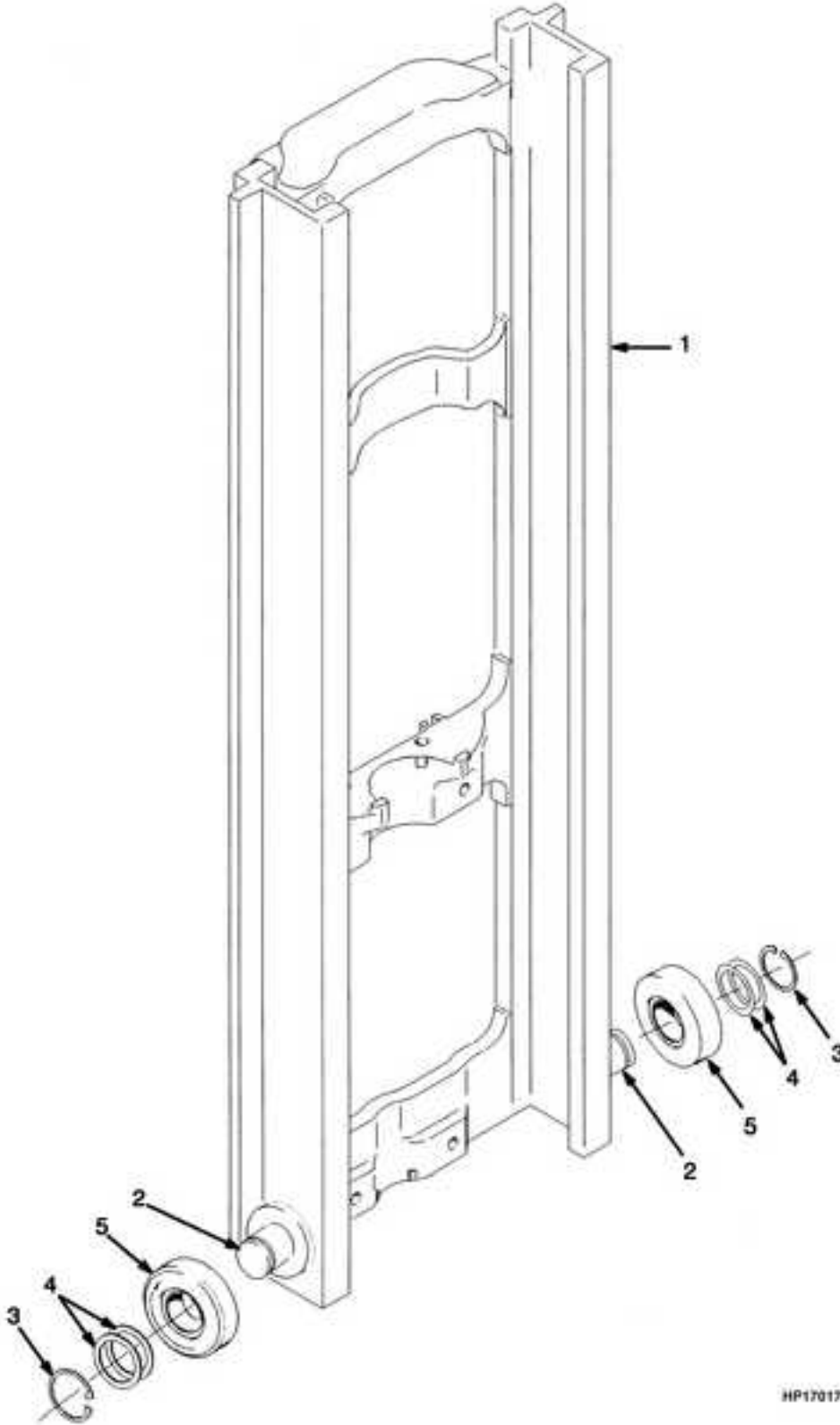
HP171031

Ref #	Part # Description / Notes	Qty Data Links
	580045797	<ul style="list-style-type: none"> Qty: 1

9	524168511	<ul style="list-style-type: none"> Qty A: .. Qty B: 1 	
	Tube Wldmt-Cylinder (LEFT HAND) D563-4868 / 4868 mm (191.7 in.) Bottom of Forks		
9	524176009	<ul style="list-style-type: none"> Qty A: 1 Qty B: .. 	
	Tube Wldmt-Cylinder (LEFT HAND) D508-4910 / 4910 mm (193.3 in.) Bottom of Forks		
9	524176013	<ul style="list-style-type: none"> Qty A: 1 Qty B: .. 	
	Tube Wldmt-Cylinder (LEFT HAND) D508-5510 / 5510 mm (216.9 in.) Bottom of Forks		
9	524168518	<ul style="list-style-type: none"> Qty A: .. Qty B: 1 	
	Tube Wldmt-Cylinder (LEFT HAND) D563-5918 / 5918 mm (233.0 in.) Bottom of Forks		
9	524176016	<ul style="list-style-type: none"> Qty A: 1 Qty B: .. 	
	Tube Wldmt-Cylinder (LEFT HAND) D508-5960 / 5960 mm (234.6 in.) Bottom of Forks		
9	524168560	<ul style="list-style-type: none"> Qty A: .. Qty B: 1 	
	Tube Wldmt-Cylinder (RIGHT HAND) D563-4718 / 4718 mm (185.7 in.) Bottom of Forks		
9	524168561	<ul style="list-style-type: none"> Qty A: .. Qty B: 1 	
	Tube Wldmt-Cylinder (RIGHT HAND) D563-4868 / 4868 mm (191.7 in.) Bottom of Forks		
9	524176059	<ul style="list-style-type: none"> Qty A: 1 Qty B: .. 	

31	580056002	<ul style="list-style-type: none"> Qty A: 1 Qty B: 1 	
	Washer		
32	524147648	<ul style="list-style-type: none"> Qty A: 1 Qty B: .. 	
	Tube Assy (GLC20, 25VX) D508-4910 / 4910 mm (193.3 in.) Bottom of Forks		
32	524147682	<ul style="list-style-type: none"> Qty A: 1 Qty B: .. 	
	Tube Assy (GLC20, 25VX) D508-5510 / 5510 mm (216.9 in.) Bottom of Forks		
32	524147685	<ul style="list-style-type: none"> Qty A: 1 Qty B: .. 	
	Tube Assy (GLC20, 25VX) D508-5960 / 5960 mm (234.6 in.) Bottom of Forks		
32	524147649	<ul style="list-style-type: none"> Qty A: .. Qty B: 1 	
	Tube Assy (GLC30, 35VX) D563-4718 / 4718 mm (185.7 in.) Bottom of Forks		
32	524147680	<ul style="list-style-type: none"> Qty A: .. Qty B: 1 	
	Tube Assy (GLC30, 35VX) D563-4868 / 4868 mm (191.7 in.) Bottom of Forks		
32	524147687	<ul style="list-style-type: none"> Qty A: .. Qty B: 1 	
	Tube Assy (GLC30, 35VX) D563-5918 / 5918 mm (233.0 in.) Bottom of Forks		
33	580039382	<ul style="list-style-type: none"> Qty A: 1 Qty B: 1 	
	Fitting		
33	580039390	<ul style="list-style-type: none"> Qty A: 1 Qty B: 1 	
	O-Ring		
33	580039389	<ul style="list-style-type: none"> Qty A: 1 Qty B: 1 	
	O-Ring		
34	505966510	<ul style="list-style-type: none"> Qty A: 1 Qty B: 1 	
	Clamp		
34	582010243	<ul style="list-style-type: none"> Qty A: 1 Qty B: 1 	
	Clamp (Alternate Part)		
35	580055651	<ul style="list-style-type: none"> Qty A: 2 Qty B: 2 	

A910 (GLC20VX, GLC25VX, GLC30VX, GLC35VX Europe) > MAST-TWO STAGE FULL FREE-LIFT Assembly > INNER MAST (TWO STAGE FULL FREE-LIFT) Figure



HP170175

View All Qtys

A: GLC20,
25VX

B: GLC30,
35VX

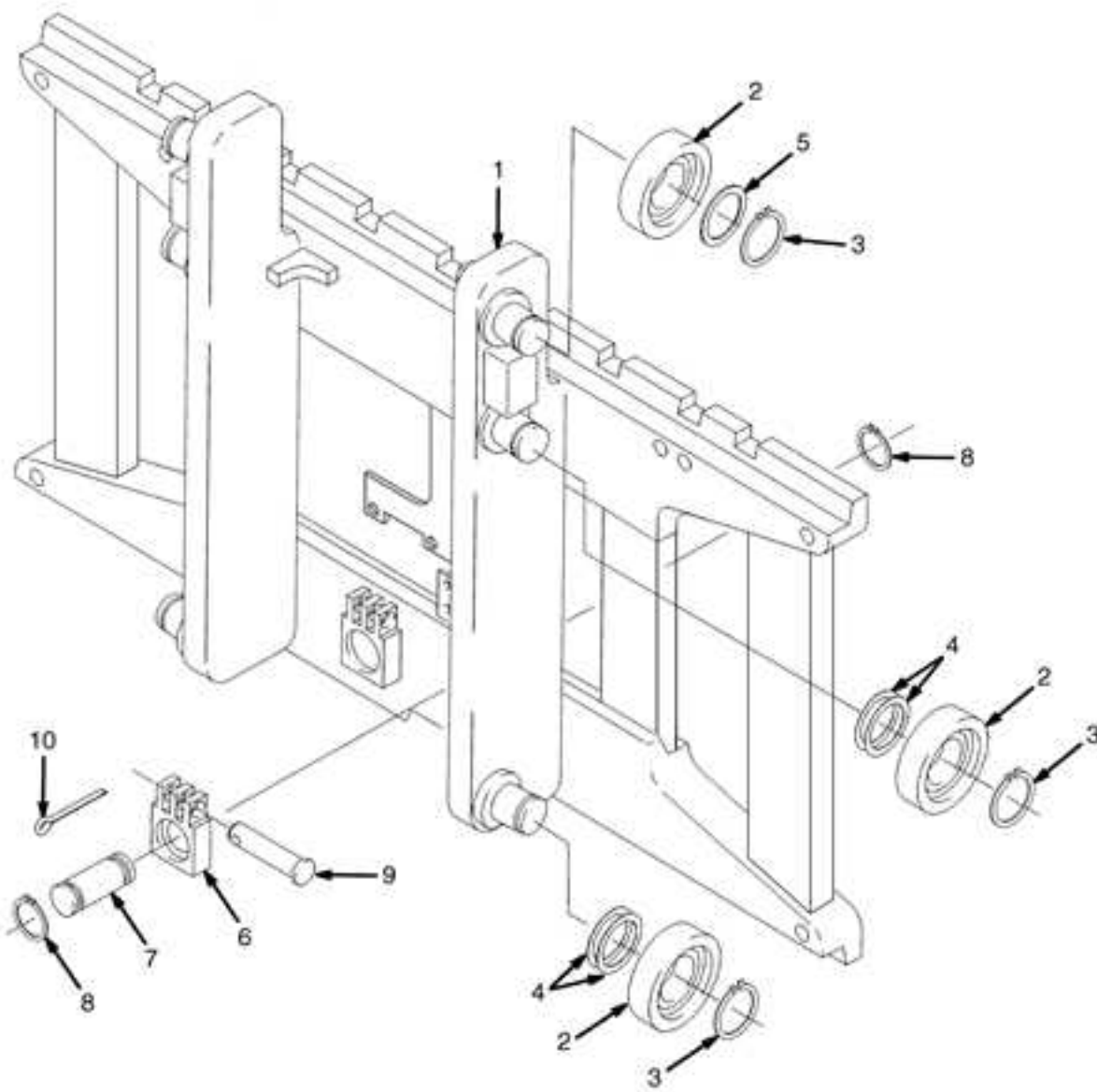
Ref #	Part # Description / Notes	Qty Data Links
	580045868	<ul style="list-style-type: none"> Qty A: .. Qty B: 1

12	505587501	<ul style="list-style-type: none"> • Qty A: 1 • Qty B: 1 	
	Gland		
	504154200	<ul style="list-style-type: none"> • Qty A: 1 • Qty B: 1 	
	Back-Up Ring Not Illustrated		
	518794659	<ul style="list-style-type: none"> • Qty A: 1 • Qty B: 1 	
	Wear Ring Not Illustrated		
	580025048	<ul style="list-style-type: none"> • Qty A: 1 • Qty B: 1 	
	Kit-Seal		

	Fork (1200 mm)		
2	580034999	<ul style="list-style-type: none"> Qty A: 1 Qty B: 1 	
	Knob Part of Kit 580035002, 580035017		
3	580016728	<ul style="list-style-type: none"> Qty A: 1 Qty B: .. 	
	Wedge Band Part of Kit 580035002		
3	580016736	<ul style="list-style-type: none"> Qty A: .. Qty B: 1 	
	Wedge Band Part of Kit 580035017		
4	580016727	<ul style="list-style-type: none"> Qty A: 1 Qty B: 1 	
	Washer Part of Kit 580035002, 580035017		
5	580026749	<ul style="list-style-type: none"> Qty A: 1 Qty B: .. 	
	Spring Part of Kit 580035002		
5	580026751	<ul style="list-style-type: none"> Qty A: .. Qty B: 1 	
	Spring Part of Kit 580035017		
6	580035000	<ul style="list-style-type: none"> Qty A: 1 Qty B: .. 	
	Pin Part of Kit 580035002		
6	580035011	<ul style="list-style-type: none"> Qty A: .. Qty B: 1 	
	Pin Part of Kit 580035017		

	524140798	<ul style="list-style-type: none"> Qty A: .. Qty B: 1 	
	Carriage		
1	518795608	<ul style="list-style-type: none"> Qty A: 1 Qty B: .. 	
	Carriage Wldmt (978 mm)		
1	524141693	<ul style="list-style-type: none"> Qty A: .. Qty B: 1 	
	Carriage Wldmt		
1	504066700	<ul style="list-style-type: none"> Qty A: 6 Qty B: 6 	
	Stubshaft		
2	520036816	<ul style="list-style-type: none"> Qty A: 6 Qty B: 6 	
	Load Roller ("B") (111.48/111.22) (0,76 mm)		
3	504072717	<ul style="list-style-type: none"> Qty A: 2 Qty B: 2 	
	Spacer		
4	015916500	<ul style="list-style-type: none"> Qty A: 6 Qty B: 6 	
	Snap Ring		
5	500227907	<ul style="list-style-type: none"> Qty A: 4 Qty B: 4 	
	Snap Ring		
6	504071779	<ul style="list-style-type: none"> Qty A: AR Qty B: AR 	
	Shim (0.508 mm)		
7	504075781	<ul style="list-style-type: none"> Qty A: 2 Qty B: 2 	
	Pin		
8	505978544	<ul style="list-style-type: none"> Qty A: 2 Qty B: .. 	
	Chain Anchor (Dual Hole)		
8	580027878	<ul style="list-style-type: none"> Qty A: 2 Qty B: .. 	
	Chain Anchor (Single Hole) (Optional)		
8	505978527	<ul style="list-style-type: none"> Qty A: .. Qty B: 2 	
	Chain Anchor (Dual Hole)		
8	580027879	<ul style="list-style-type: none"> Qty A: .. Qty B: 2 	

A910 (GLC20VX, GLC25VX, GLC30VX, GLC35VX Europe) > ATTACHMENTS AND HEADER HOSE GROUP Assembly > CARRIAGE (HEAVY DUTY) (THREE STAGE FULL FREE-LIFT) Figure



BP170310

View All Qtys

A: GC/GLC040-055VX

B: GC/GLC060-070VX

Ref #	Part # Description / Notes	Qty Data Links	

	Capscrew		
22	580009288	<ul style="list-style-type: none"> • Qty A: 1 • Qty B: 1 	
	Bracket		
23	580009290	<ul style="list-style-type: none"> • Qty A: 1 • Qty B: 2 	
	Stubshaft		
24	580023124	<ul style="list-style-type: none"> • Qty A: 1 • Qty B: 2 	
	Hose Sheave		
25	580055636	<ul style="list-style-type: none"> • Qty A: 1 • Qty B: 2 	
	Washer		
26	504070716	<ul style="list-style-type: none"> • Qty A: 1 • Qty B: 2 	
	Washer		
27	909882405	<ul style="list-style-type: none"> • Qty A: 1 • Qty B: 2 	
	Nut		
28	580009289	<ul style="list-style-type: none"> • Qty A: .. • Qty B: 1 	
	Bracket		
29	504070790	<ul style="list-style-type: none"> • Qty A: 2 • Qty B: 2 	
	Strap Clamp		

CLICK HERE TO **DOWNLOAD** THE COMPLETE MANUAL

- Thank you very much for reading the preview of the manual.
- You can download the complete manual from: www.heydownloads.com by clicking the link below



- Please note: If there is no response to CLICKING the link, please download this PDF first and then click on it.

CLICK HERE TO **DOWNLOAD** THE COMPLETE MANUAL