

# Yale

# PARTS MANUAL

## GDP 040 RG, GDP 050 RG (A875)



YP990083

# Yale

Yale Materials Handling Corporation  
1400 Sullivan Drive  
Caller No. 12011  
Greenville, NC 27834-2011

P/N 520371741  
© Yale Corp.  
10/2002

CLICK HERE TO **DOWNLOAD** THE COMPLETE MANUAL

- Thank you very much for reading the preview of the manual.
- You can download the complete manual from: [www.heydownloads.com](http://www.heydownloads.com) by clicking the link below



- Please note: If there is no response to CLICKING the link, please download this PDF first and then click on it.

CLICK HERE TO **DOWNLOAD** THE COMPLETE MANUAL

**ABBREVIATIONS QUICK REFERENCE SHEET**

Listed below are abbreviations used in parts manuals to denote the following expressions:

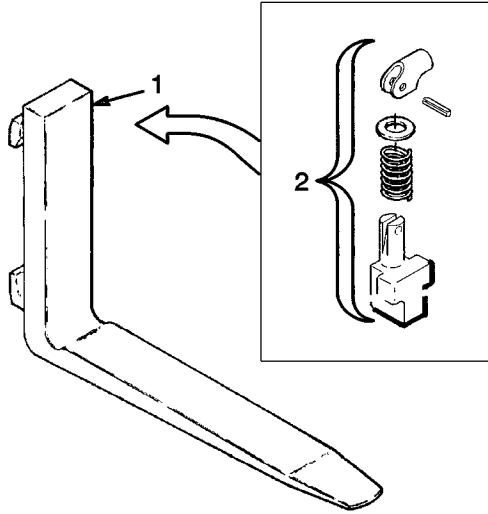
<b>TERM</b>	<b>DEFINITION</b>	<b>TERM</b>	<b>DEFINITION</b>
Amp	Amperes	MSTS	Microprocessor Spark Timing System
AR	As Required	NPT	National Pipe Threads
BDI	Battery Discharge Indicators	O/S	Oversize
BWI	Brush Wear Indicator	PTO	Power Take Off
CE	Communicator End	RPM	Revolutions per Minute
CRE	Corrosive Environment	S/N	Serial Number
D/B	Date Break	TMM	Truck Management Module
dbA	Decibel "A" Scale	UL Type D	Diesel-Powered Safety Rating
DE	Drive End	UL Type DS	Diesel-Powered Safety Rating
ECM	Electronic Control Module	UL Type E	Battery-Powered Safety Rating
ECN	Engineering Change Notice	UL Type EE	Battery-Powered Safety Rating
EEPROM	Electrically Erasable Programmable Read Only Memory	UL Type ES	Battery-Powered Safety Rating
EPROM	Electrically Programmable Read Only Memory	UL Type G	Gasoline-Powered Safety Rating
FRE	Freezer Environment	UL Type GS	Gasoline-Powered Safety Rating
in.	inches	UL Type LP	Gas-Powered Safety Rating
LPG	Liquefied Petroleum Gas	UL Type LPS	LP Gas-Powered Safety Rating
MAP	Manifold Absolute Pressure	U/S	Undersize
mm	millimeters	UL	Underwriters Laboratory
		V	Volts

**SECTION 1  
GENERAL TRUCK**

DESCRIPTION	PAGE
COUNTERWEIGHT .....	1-12
FORKS	
GDP 040 RG.....	1-20
GDP 045 RG.....	1-21
GDP 050 RG.....	1-22
FRAME AND FLOORPLATES.....	1-4
GENERAL TRUCK .....	1-2
HOOD.....	1-8
HOOD LINER .....	1-10
LABEL AND PLATE LOCATION.....	1-15
LOAD BACKREST WELDMENT .....	1-18
LOW NOISE .....	1-34
SEAT	
FULL SUSPENSION	
SHEET 1 OF 2	
S/N A875B-12161⇒ .....	1-26
SHEET 2 OF 2	
S/N A875B-12161⇒ .....	1-28
NON-SUSPENSION .....	1-32
SEMI SUSPENSION	
⇒S/N A875B-12161.....	1-24
SUSPENSION WITH HIP RESTRAINT.....	1-30

**HOOD LINER**

ITEM	PART NO.	DESCRIPTION	QTY
1	504241701	Liner (Hood).....	1
2	504246763	Liner (Front Cover) .....	1
3	504241724	Liner (LH Door).....	1
4	504241725	Liner (RH Door) .....	1
5	900003273	Button .....	3
6	518793609	Fastener .....	14
7	580001090	Fastener .....	1
8	014195600	Grommet.....	2



YP260500

**KEY:**

- A: Standard Taper (100 mm x 45 mm [4.00 x 1.75])**
- B: Polished Fork with Full Top Taper (125 mm x 45 mm [5.00 x 1.75])**
- C: Polished Fork with Full Bottom Taper (125 mm x 45 mm [5.00 x 1.75])**

ITEM	PART NO.	DESCRIPTION	QTY		
			A	B	C
1	752780422	Fork (30 in.) .....	2	..	..
1	504110201	Fork (36 in.) .....	2	..	..
1	504110202	Fork (42 in.) .....	2	..	..
1	504110203	Fork (48 in.) .....	2	..	..
1	504110204	Fork (54 in.) .....	2	..	..
1	504110205	Fork (60 in.) .....	2	..	..
1	518649601	Fork (36 in.) .....	..	2	..
1	518649602	Fork (42 in.) .....	..	2	..
1	518649603	Fork (48 in.) .....	..	2	..
1	752780402	Fork (36 in.) .....	..	..	2
1	518647602	Fork (42 in.) .....	..	..	2
1	518647603	Fork (48 in.) .....	..	..	2
1	518647604	Fork (54 in.) .....	..	..	2
1	518647605	Fork (60 in.) .....	..	..	2
2	580016784	Latch .....	1	1	1

**SEAT  
(SUSPENSION WITH HIP RESTRAINT)**

ITEM	PART NO.	DESCRIPTION	QTY
	504245777	Seat Assembly (Vinyl) .....	1
1	505974567	Seat (Vinyl).....	1
2	440066253	Knob .....	1
3	440066256	Back Cushion (Vinyl).....	1
4	504224203	Shock Absorber .....	1
5	504224286	Spring .....	1
6	504224273	Spring .....	2
7	504224254	Spindle (Adjuster) .....	1
8	150019502	Seat Pan .....	1
9	504237273	Lever .....	1
10	504575276	Switch .....	1
11	505975564	Hip Restraint .....	1
12	505974541	Seat Rail (LH).....	1
13	505974582	Seat Rail (RH).....	1
14	505974509	Spacer.....	2
15	501753902	Capscrew .....	2
16	505974536	Capscrew .....	2
17	504238298	Nut.....	8
18	505974591	Capscrew .....	2
19	504226209	Plug.....	4
20	016103700	Washer .....	4
21	074259300	Capscrew .....	2
22	505974524	Plate .....	1
23	062232800	Capscrew .....	4
24	023604600	Washer .....	4
25	504223224	Nut.....	2
26	518796683	Seat Belt.....	1
27	504223249	Capscrew .....	2
28	504223217	Washer .....	4
29	519996803	Cover (Information Case) .....	1
30	501904909	Rivet .....	1
31	519996802	Base (Information Case) .....	1

CYLINDER BLOCK

ITEM	PART NO.	DESCRIPTION	QTY
	504259759	Engine .....	1
1	901084851	Cylinder Block .....	1
2	901083807	Washer.....	10
3	901084803	Pin.....	10
4	901084809	Bolt.....	8
5	901084810	Bolt.....	2
6	901084821	Stud .....	9
7	901083826	Plug.....	3
8	901084812	Pin.....	1
9	900710820	Pin.....	2
10	900542813	Plug.....	8
11	900542826	Plug.....	1
12	901084814	Pin.....	2
13	901084808	Plug.....	1
14	901084817	Plug.....	1
15	901015826	Plug.....	3
16	901271817	Plug.....	1
17	901084820	Stud .....	1
18	901084819	Stud .....	1
19	901084855	Liner.....	4

**OIL PUMP AND FILTER**

ITEM	PART NO.	DESCRIPTION	QTY
1	901095850	Oil Pump.....	1
2	901095851	Gear.....	1
3	901095806	Shaft.....	1
4	901095807	Pin.....	2
5	901095805	Cover.....	1
6	901095872	Spring.....	1
7	901095873	Plug.....	1
8	900554817	Plunger.....	1
9	901095823	Strainer.....	1
10	901095817	Bolt.....	2
11	901095818	Bolt.....	4
12	901095875	Gasket.....	1
13	901095877	Filter.....	1
14	901095868	Plug.....	1
15	901095869	Packing.....	1
16	901095866	O-Ring.....	1
17	901095867	Plug.....	1
18	901095857	Cartridge Filter.....	1
19	901095858	Gasket.....	1
20	901095862	Plug.....	1
21	900721805	O-Ring.....	1
22	901095864	Spring.....	1
23	900554817	Plunger.....	1
24	900559852	Nut.....	3
25	901095874	Gasket.....	1
26	900526819	Bolt.....	2
27	901095812	O-Ring.....	1
28	901095811	Pipe.....	1
29	504259705	Gasket.....	1
30	901095817	Bolt.....	2
	504258768	Gasket Kit (Includes Item 12).....	1

MANIFOLDS

ITEM	PART NO.	DESCRIPTION	QTY
1	901089860	Manifold (Inlet).....	1
2	900549888	Stud.....	2
3	504258762	Gasket .....	1
4	504259738	Gasket .....	1
5	900526814	Capscrew.....	3
6	900559852	Nut.....	1
7	900526819	Bolt .....	4
8	900546825	Washer .....	8
9	504258759	Manifold (Exhaust).....	1
10	901089865	Stud.....	4
11	505959536	Nut.....	8
12	504259739	Gasket .....	2
13	504258761	Gasket .....	2
	504259734	Gasket Kit (Includes Items 4, 12) .....	1
	504258768	Gasket Kit (Includes Items 4, 12) .....	1

**WATER PUMP**

ITEM	PART NO.	DESCRIPTION	QTY
1	901096872	Water Pump Kit .....	1
2	900723812	Bearing .....	1
3	901096810	Pulley .....	1
4	900292857	Snap Ring .....	1
5	900723808	Spacer .....	1
6	901096870	Bearing .....	1
7	900556820	Retaining Ring .....	1
8	900723810	Plate .....	1
9	900556826	Seal .....	1
10	901096871	Plate .....	1
11	901096827	Bolt .....	6
12	900526814	Capscrew .....	3
13	504259740	Gasket .....	1
14	901085833	Bolt .....	2
15	901096805	Gasket .....	1
16	901096856	Body (Water Pump) .....	1
17	901085821	Pin .....	2
18	901096804	Gasket .....	1
19	901089867	Gasket .....	1
20	900906822	Bolt .....	3
21	901096852	Pipe .....	1
22	901085829	Bolt .....	3
23	901096868	Cover .....	1
24	901096881	Thermostat .....	1
25	901859807	Gasket .....	1
26	901096864	Pulley .....	1
26	901096813	Pulley .....	1
27	901096866	Spacer .....	1
28	901302844	Fan .....	1
29	901083832	Bolt .....	2
30	901096858	Spacer .....	1
31	900526819	Bolt .....	2
	504259734	Gasket Kit (Includes Items 13, 15, 18-19, 25) .....	1
	504258768	Gasket Kit (Includes Items 13, 15, 18-19, 25) .....	1

**SECTION 5  
FUEL SYSTEM**

<b>DESCRIPTION</b>	<b>PAGE</b>
AIR CLEANER AND MOUNTING	
⇒S/N A875B-13057 .....	5-10
S/N A875B-13058⇒ .....	5-12
DIRECTIONAL CONTROL PEDAL .....	5-18
DIRECTIONAL CONTROL PEDAL LINKAGE.....	5-16
FUEL .....	5-2
FUEL SYSTEM	
DIESEL .....	5-8
INJECTION PUMPS.....	5-6
NOZZLE HOLDER .....	5-4
THROTTLE LINKAGE .....	5-14

**AIR CLEANER AND MOUNTING**  
(⇒S/N A875B-13057)

ITEM	PART NO.	DESCRIPTION	QTY
1	505972575	Air Filter .....	1
2	504240863	Element .....	1
3	907271604	Nut and Gasket .....	1
4	505967510	Clamp .....	1
5	907271605	Baffle .....	1
6	505967549	Cup .....	1
7	505967516	Valve .....	1
8	919334400	Grill .....	1
9	960100925	Clamp .....	5
10	449001023	Capscrew .....	2
11	449022013	Lockwasher .....	4
12	505972556	Plug .....	1
13	504240842	Hose .....	1
14	504258724	Hose (Low Noise) .....	1
14	504240829	Hose .....	1
15	504240830	Tube .....	1
16	504240840	Hose .....	1
17	930908904	Capscrew .....	2
18	502056906	Clamp .....	1
19	504225227	Washer .....	2
20	960100934	Clamp .....	1
21	504246764	Silencer (Low Noise) .....	1

6

ELECTRICAL SYSTEM

**STARTER**

ITEM	PART NO.	DESCRIPTION	QTY
	901098891	Starter.....	1
1	901098801	Yoke.....	1
2	901098826	Brush .....	2
3	901098825	Switch.....	1
4	901098810	Lever .....	1
5	901098803	Bracket (Front).....	1
6	901098827	Bearing .....	1
7	901098828	Armature .....	1
8	901098807	Bearing .....	1
9	901098815	Bearing .....	1
10	901098817	Shaft.....	1
11	901098814	Cover .....	1
12	901098816	Gear Set .....	1
13	901028812	Shaft .....	1
14	901098818	Gear.....	1
15	901098802	Pinion.....	1
16	901028815	Retainer .....	1
17	901098806	Bracket (Center) .....	1
18	901098809	Screw .....	3
19	901028823	Gasket.....	2
20	901028825	Spring.....	1
21	901098808	Gasket.....	2
22	901098819	Brush Holder .....	1
23	901098820	Brush Spring.....	4
24	901098812	Bracket (Rear).....	1
25	901098811	Bolt Kit.....	1
26	901028822	Ring.....	2

**WIRE HARNESS  
(INSTRUMENT CLUSTER)**

ITEM	PART NO.	DESCRIPTION	QTY
	524135566	Wire Harness.....	1
1	505972544	Connector Body .....	1
2	505972589	Secondary Lock .....	1
3	505972554	Pin .....	20
4	505968566	Plug .....	6
5	505972593	Connector.....	1
6	505972507	Secondary Lock .....	1
7	518803678	Connector.....	1
8	518806641	Secondary Lock .....	1
9	913213410	Connector Body .....	1
10	505968511	Connector Body .....	2
11	505966522	Terminal.....	11
12	924130411	Connector.....	1
13	924130412	Connector.....	1
14	505972531	Connector Body .....	1
15	520045061	Connector Body .....	1
16	913213402	Electrical Fitting.....	6
17	952408904	Electrical Fitting.....	2
18	952405902	Sleeve .....	1
19	952408901	Sleeve .....	1
20	952405901	Electrical Fitting.....	2
21	924130401	Terminal.....	10
22	924130402	Connector.....	9

**WIRE HARNESS  
(CHASSIS)  
(D/B 08/1999⇒)**

ITEM	PART NO.	DESCRIPTION	QTY
	580012675	Wire Harness (Chassis) .....	1
1	505968588	Connector Body (Cluster Harness) .....	1
2	505968568	Socket .....	11
3	505968568	Socket .....	8
4	505968536	Lock.....	1
5	505972593	Connector (Cowl Harness).....	1
6	505972507	Secondary Lock .....	1
7	505968514	Pin .....	7
8	912906311	Connector.....	1
9	912906332	Seal .....	1
10	505968501	Connector (Seat Switch) .....	1
11	505968535	Lock.....	1
12	505968555	Connector (Fuel Sender).....	1
13	505968572	Terminal.....	1
14	505968505	Seal .....	1
15	580012323	Plug .....	1
16	580012468	Seal .....	1
17	504064701	Connector.....	1
18	580006141	Connector.....	2

**KEY:**

**A:** Gasoline

**B:** LPG

ITEM	PART NO.	DESCRIPTION	QTY	
			A	B
	<b>b</b> 907077701	Instrument Panel .....	1	..
	<b>a</b> 907077703	Instrument Panel .....	1	1
	<b>a</b> 907077703	Instrument Panel .....	1	..
	<b>b</b> 907077702	Instrument Panel .....	..	1
	<b>a</b> 907077704	Instrument Panel .....	..	1
	<b>b</b> 907077701	Instrument Panel .....	1	1
1	901506861	Hourmeter .....	1	1
1	901506861	Hourmeter .....	1	1
2	901506862	Gauge .....	1	1
2	901506862	Gauge .....	1	1
3	901506863	Temperature Gauge .....	1	1
4	901506841	Hood.....	1	1
5	901506864	Case.....	1	1
6	901506817	Glass.....	1	1
7	<b>b</b> 901506866	Plate.....	1	..
7	<b>a</b> 901506869	Plate.....	..	1
7	<b>b</b> 901506867	Plate.....	..	1
7	<b>a</b> 901506868	Plate.....	1	..
7	901506868	Plate.....	1	1
8	901506870	Plate.....	1	1
8	901506870	Plate.....	1	..
8	901506871	Plate.....	..	1
9	901506872	Case.....	1	1
10	901506839	Bracket .....	1	1
11	900411802	Bulb .....	6	6
12	901506840	Socket .....	6	6
13	449001091	Capscrew.....	2	2
14	504226242	Washer .....	2	2

**FOOTNOTES:**

**a** Premium

**b** Standard

ITEM	PART NO.	DESCRIPTION	QTY
	<b>a</b> 580001154	Transmission.....	1
	<b>be</b> 580009349	Transmission.....	1
	<b>cg</b> 580020389	Transmission.....	1
	<b>d</b> 580024522	Transmission.....	1
1	201638000	Ball Bearing.....	1
2	580001123	Washer.....	1
3	505967520	Snap Ring.....	1
4	580001122	Washer.....	3
5	580001121	Bearing (Thrust).....	2
6	580012280	O-Ring.....	1
7	<b>i</b> 580001119	Gear.....	1
7	<b>g</b> 580020380	Gear.....	1
8	580001120	Bearing.....	2
9	505967545	O-Ring (Forward).....	3
9	505967545	O-Ring (Reverse).....	2
10	<b>i</b> 580001138	Clutch Assembly (Forward).....	1
10	<b>f</b> 580020385	Clutch Assembly (Forward).....	1
10	<b>h</b> 580024491	Clutch Assembly (Forward).....	1
11	<b>i</b> 580001140	Clutch Assembly (Reverse).....	1
11	<b>f</b> 580020386	Clutch Assembly (Reverse).....	1
11	<b>h</b> 580024492	Clutch Assembly (Reverse).....	1
12	015125800	Ball Bearing.....	1
13	580001124	Spacer (Reverse Clutch Only).....	1

**FOOTNOTES:**

- a** ⇒ S/N A875B-02678
- b** S/N A875B-02679 ⇒
- c** ⇒ S/N A875B-15478 EXC. 15474-15476
- d** S/N A875B-15479 ⇒ INC. 15474-15476
- e** ⇒ S/N T080M-04189
- f** S/N T080M-04189⇔S/N T080M-04775
- g** S/N T080M-04190 ⇒
- h** S/N T080M-04776 ⇒
- i** ⇒ S/N T080M-4189

**FORWARD AND REVERSE CLUTCH**  
(⇒S/N T080M-04189)

ITEM	PART NO.	DESCRIPTION	QTY
	580001138	Clutch Assembly (Forward) .....	1
	580001140	Clutch Assembly (Reverse) .....	1
1	580001146	Shaft (Forward, Long Shaft) .....	1
1	580001149	Shaft (Reverse, Short Shaft) .....	1
2	580001161	O-Ring.....	1
3	505971555	Seal .....	1
4	580001165	Piston .....	1
5	580001163	Spring.....	1
6	580001167	Guide.....	1
7	580001169	Snap Ring .....	1
8	505971578	Plate (Separator).....	5
9	505971559	Plate (Friction).....	5
9	580019516	Plate (Friction).....	1
10	580001691	Plate (Pressure) .....	1
11	505971572	Snap Ring .....	1

ITEM	PART NO.	DESCRIPTION	QTY
1	580001479	Gear (Output) .....	1
2	505967587	Washer .....	1
3	505967556	Nut .....	1
4	072387331	Bearing Cone .....	1
5	505967572	Spacer .....	1
6	504223244	Shim (0.022 in.) .....	3
6	504223269	Shim (0.025 in.) .....	3
6	504227210	Shim (0.014 in.) .....	2
6	504227275	Shim (0.016 in.) .....	4
6	504227287	Shim (0.020 in.) .....	4
6	504227295	Shim (0.015 in.) .....	2
7	504226235	Lock Plate .....	2
8	449001415	Capscrew .....	2
9	449022016	Lockwasher .....	2
10	580018443	Gear Set (Hypoid).....	1
11	505970520	Bolt .....	12
12	580015366	Washer .....	12
13	505971557	Housing .....	1
14	505969532	Capscrew .....	4
15	502012902	Washer .....	4
16	505971518	Bearing Cup .....	2
17	504226268	Pin .....	4
18	449034079	Pin .....	1
19	449001302	Capscrew .....	8
20	449022013	Lockwasher .....	10
21	505971527	Nut .....	2
22	065124700	Bearing Cone .....	2
23	054590500	Bearing Cup .....	2
24	504229295	Bearing Cone .....	1
25	505970549	Roller Bearing.....	1
26	502759901	Snap Ring .....	1
27	449001069	Capscrew .....	2
28	580001783	Differential .....	1
29	580001792	Spider .....	2
30	580001788	Pinion .....	4
31	580001790	Washer .....	4
32	580001786	Gear .....	2
33	580001787	Washer .....	2
34	580001784	Housing .....	1
35	580001785	Housing .....	1
36	580001793	Washer .....	8
37	931015915	Capscrew .....	8
38	072387332	Bearing Cup .....	1
39	505967550	Seal .....	1
40	054803600	Bearing Cup .....	1

**SECTION 8  
DRIVE AXLE**

<b>DESCRIPTION</b>	<b>PAGE</b>
DRIVE AXLE .....	8-2
WHEEL AND TIRE	
DRIVE WHEEL .....	8-6

**SECTION 9  
STEERING SYSTEM**

<b>DESCRIPTION</b>	<b>PAGE</b>
SHIFT LINKAGE	
⇒S/N A875B-10943X.....	9-8
S/N A875B-10944X⇒.....	9-10
STEERING AXLE.....	9-12
STEERING CONTROL UNIT	
⇒S/N A875B-10943.....	9-16
S/N A875B-10944⇒.....	9-18
STEERING CYLINDER.....	9-20
STEERING POD	
⇒S/N A875B-10943.....	9-2
S/N A875B-10944⇒.....	9-4
WHEEL AND TIRE	
STEER WHEEL.....	9-14

CLICK HERE TO **DOWNLOAD** THE COMPLETE MANUAL

- Thank you very much for reading the preview of the manual.
- You can download the complete manual from: [www.heydownloads.com](http://www.heydownloads.com) by clicking the link below



- Please note: If there is no response to CLICKING the link, please download this PDF first and then click on it.

CLICK HERE TO **DOWNLOAD** THE COMPLETE MANUAL

**KEY:**

**A:** Single Shift Lever

**B:** Dual Shift Lever

ITEM	PART NO.	DESCRIPTION	QTY	
			A	B
	504574275	Shift Lever Assembly .....	..	1
	520038825	Shift Lever Assembly .....	1	..
1	504574276	Base .....	1	1
2	504574277	Link.....	1	1
3	505977569	Crank.....	1	1
4	505977542	Crank.....	1	1
5	505977598	Shift Lever .....	1	2
6	505977590	Capscrew .....	2	4
7	449015112	Nut.....	2	4
8	<b>a</b> 505977526	Spring Plunger .....	2	2
8	<b>b</b> 580022130	Spring Plunger .....	2	2
9	505977516	Bolt.....	2	2
10	449015002	Nut.....	2	2
11	505977500	Washer.....	4	4

**FOOTNOTES:**

**a** ⇒ S/N A875B-11645

**b** S/N A875B-11646 ⇒

**STEERING CYLINDER**

ITEM	PART NO.	DESCRIPTION	QTY
	505965530	Steering Cylinder.....	1
1	505975505	Rod.....	1
2	505975513	Tube .....	1
3	502011903	Back-Up Ring .....	2
4	505970555	O-Ring.....	2
5	505970509	Ring.....	1
6	580011968	Seal .....	1
7	505975582	End Cap .....	2
8	504225211	Seal .....	2
9	504225226	Wiper Ring .....	2
	580026958	Seal Kit (Includes Items 3-6, 8-9) .....	1

MASTER CYLINDER

ITEM	PART NO.	DESCRIPTION	QTY
	505963537	Master Cylinder .....	1
1	505963544	Piston .....	1
2	505963540	Pin .....	1
3	505963519	Reservoir .....	1
4	505963583	Cap .....	1
5	505964540	Rod.....	1
6	505964578	Cover.....	1
7	505964586	Washer .....	1
8	505964597	Snap Ring .....	1
9	505964577	Clevis .....	1
10	505963565	Piston .....	1
11	.....	Seal .....	2
12	.....	Seal .....	2
	505963564	Seal Kit (Includes Items 11-12) .....	1

ITEM	PART NO.	DESCRIPTION	QTY
1	505966504	Seal .....	1
2	504060774	Screw.....	2
3	518794681	Breather.....	1
4	504264764	Cover .....	1
5	504240741	Dipstick.....	1
6	449021001	Washer .....	13
7	514214804	O-Ring .....	2
8	502056904	Clamp .....	6
9	505973507	Fitting.....	1
10	505973580	Filter .....	1
11	449001134	Capscrew.....	2
12	449015014	Nut .....	12
13	449022016	Lockwasher .....	8
14	505973542	Fitting.....	1
15	505969598	Hose .....	1
16	580000910	Hose .....	1
17	<b>g</b> 505970533	Fitting.....	1
17	<b>h</b> 580014237	Screen .....	1
18	<b>g</b> 505973557	Screen .....	1
18	<b>h</b> 580014237	Screen .....	1
19	580008527	Hose .....	1
20	504240234	Clamp .....	1
21	505973510	Fitting.....	1
22	505972514	Capscrew.....	2
23	449022013	Lockwasher .....	2
24	449021006	Washer .....	2
25	524135091	Hose .....	1
26	504240788	Hose .....	1
27	520052842	Hose .....	1
28	055729800	Fitting.....	2
29	900003205	Fitting.....	1
30	500179904	Fitting.....	1
31	052642200	Hydraulic Fitting.....	3
32	500412904	Clamp .....	2
33	524136650	Hose .....	2
34	501921910	Clamp .....	2
35	312850034	Strap Clamp.....	4
36	500428902	Fitting.....	1
37	056363100	Fitting.....	4
37	056363300	O-Ring.....	4
38	505973522	Hose .....	1
39	505973574	Hose .....	1
40	505973511	Hose .....	1
41	505973568	Hose .....	1
42	505975532	Hose .....	1
43	505971501	Clamp .....	1
44	518841601	Tilt Cylinder (☞ P10828) .....	2
45	505965530	Steering Cylinder (☞ P10826) .....	1
46	580001398	Hose .....	2
47	<b>a</b> 580000026	Control Valve (Three Function) (☞ P10157) .....	1



**VALVE  
(FLOW)**

ITEM	PART NO.	DESCRIPTION	QTY
	518806631	Valve.....	1
1	505964529	Spring.....	1
2	505964564	Plug.....	3
3	505964513	Plug.....	1
4	518806626	Adjuster Kit.....	1
5	518806648	Spring.....	1
6	.....	O-Ring.....	1
7	052645400	O-Ring.....	3
8	.....	O-Ring.....	1
9	.....	O-Ring.....	1
10	.....	Housing.....	1
11	.....	Poppet.....	1
	518806615	Seal Kit (Includes Items 10-11) .....	1
	518806673	Seal Kit (Includes Items 7-9) .....	1

**VALVE ATTACHING PARTS  
(THREE FUNCTION)  
(S/N A875B-10872⇒)**

ITEM	PART NO.	DESCRIPTION	QTY
1	505962557	Plate .....	1
2	505972585	Lock .....	2
3	505972523	Spring .....	1
4	449001239	Capscrew .....	2
5	931013901	Capscrew .....	2
6	449001028	Capscrew .....	1
7	449015098	Nut .....	5
8	449021001	Washer .....	2
9	449001015	Capscrew .....	3
10	449022013	Lockwasher .....	3
11	449015044	Nut .....	3
12	505972568	Bracket (RH) .....	1
13	505972549	Bracket (LH) .....	1
14	505972561	Pivot .....	1
15	505972503	Capscrew .....	2
16	500583902	Rod End Pin .....	3
17	015414700	Cotter Pin .....	3
18	504241737	Crank .....	2
19	504241771	Screw .....	6
20	505970500	Nut .....	6
21	449001014	Capscrew .....	7
22	504226242	Washer .....	8
23	449022016	Lockwasher .....	9
24	449015014	Nut .....	7
25	449001134	Capscrew (With Detent) .....	2
25	449001134	Capscrew (Without Detent) .....	3
26	504241730	Boot .....	2
27	505974586	Bracket .....	1
28	504240954	Bracket .....	1
29	504240953	Bracket .....	1
30	504240952	Bracket .....	1
31	916054401	Knob .....	1
32	916054402	Knob .....	1
33	<b>a</b> 580000026	Control Valve (P10157) .....	1
33	<b>b</b> 580018326	Control Valve (P10157) .....	1
34	504241731	Boot .....	1
35	504240729	Lever (Hoist) .....	1
36	504240730	Lever (Tilt) .....	1
37	504240731	Lever (Third Function) .....	1
38	504241737	Crank (Without Detent) .....	1
38	504241739	Bellcrank (With Detent) .....	1
39	504241742	Cover .....	1
40	916054403	Knob .....	1
41	720307903	Fitting .....	2
42	500421901	Fitting .....	2
43	057300800	Fitting .....	2
43	052645300	O-Ring .....	2
44	052643300	Fitting .....	2
44	052645300	O-Ring .....	2
45	504240732	Tube .....	1



**SECTION 12  
LIFTING MECHANISM**

DESCRIPTION	PAGE
CARRIAGE	
THREE STAGE FULL FREE-LIFT .....	12-38
TWO STAGE FULL FREE-LIFT .....	12-54
TWO STAGE LIMITED FREE-LIFT .....	12-14
FREE LIFT	
THREE STAGE FULL FREE-LIFT .....	12-26
FREE-LIFT	
TWO STAGE FULL FREE-LIFT .....	12-46
FREE-LIFT CYLINDER	
THREE STAGE FULL FREE-LIFT	
SHEET 1 OF 2 .....	12-34
SHEET 2 OF 2 .....	12-36
TWO STAGE FULL FREE-LIFT .....	12-52
INNER MAST	
THREE STAGE FULL FREE-LIFT .....	12-20
TWO STAGE FULL FREE-LIFT .....	12-42
TWO STAGE LIMITED FREE-LIFT .....	12-4
INTERMEDIATE MAST	
THREE STAGE FULL FREE-LIFT .....	12-18
LIFT	
TWO STAGE LIMITED FREE-LIFT .....	12-6
LIFT CYLINDER	
TWO STAGE LIMITED FREE-LIFT .....	12-10
MAIN CYLINDER	
LEFT HAND	
TWO STAGE FULL FREE-LIFT	
S/N PENDING PER ECN 73680⇒ .....	12-49
⇒S/N PENDING PER ECN 73680 .....	12-48
RIGHT HAND	
TWO STAGE FULL FREE-LIFT	
S/N PENDING PER ECN 73680⇒ .....	12-51
⇒S/N PENDING PER ECN 73680 .....	12-50
THREE STAGE FULL FREE-LIFT .....	12-30
MAIN LIFT	
THREE STAGE FULL FREE-LIFT .....	12-22
TWO STAGE FULL FREE-LIFT .....	12-44
OUTER MAST	
THREE STAGE FULL FREE-LIFT .....	12-16
TWO STAGE FULL FREE-LIFT .....	12-40
TWO STAGE LIMITED FREE-LIFT .....	12-2

**LIFT CYLINDER  
(TWO STAGE LIMITED FREE-LIFT)**

**LEFT HAND**

ITEM	DESCRIPTION	OALH		
		78.0 in.	84.0 in.	94.0 in.
	Mast Group Number	B507 2992	B507 3292	B507 3692
Cylinder Group Number	8600006	8600009	8600013	
	Cylinder	519459606	519459609	519459613
1	Shell	519458606	519458609	519458613
2	Rod	519457606	519457609	519457613

**LEFT HAND (CONT.)**

ITEM	DESCRIPTION	OALH		
		96.0 in.	110.0 in.	119.0 in.
	Mast Group Number	B507 3792	B507 4292	B507 4792
Cylinder Group Number	8600014	8600020	8600101	
	Cylinder	519459614	519459620	519463601
1	Shell	519458614	519458620	519462601
2	Rod	519457614	519457620	519461601

**RIGHT HAND**

ITEM	DESCRIPTION	OALH		
		78.0 in.	84.0 in.	94.0 in.
	Mast Group Number	B507 2992	B507 3292	B507 3692
Cylinder Group Number	8600056	8600059	8600063	
	Cylinder	519459656	519459659	519459663
1	Shell	519458656	519458659	519458663
2	Rod	519457606	519457609	519457613

**INNER MAST  
(THREE STAGE FULL FREE-LIFT)**

ITEM	DESCRIPTION	OALH		
		76.0 in.	80.0 in.	82.0 in.
		Mast Group Number	B508 4310	B508 4460
1	Inner Mast	520039802	520039800	520039877

ITEM	DESCRIPTION	OALH		
		84.0 in.	88.0 in.	94.0 in.
		Mast Group Number	B508 4910	B508 5060
1	Inner Mast	520039852	520039832	520039848

ITEM	PART NO.	DESCRIPTION	QTY
1	a . . . . .	Inner Mast .....	1
2	504066700	Stubshaft .....	2
3	015916300	Snap Ring .....	2
4	504233232	Shim (0.020 in.) .....	AR
5	520036837	Load Roller .....	2

**FOOTNOTES:**

a Refer to Table

**MAIN CYLINDER  
(THREE STAGE FULL FREE-LIFT)**

**LEFT HAND**

ITEM	DESCRIPTION	OALH		
		76.0 in.	80.0 in.	82.0 in.
		Mast Group Number	B508 4310	B508 4460
	Cylinder Group Number	8600405	8600406	8600408
	Cylinder	519467605	519467606	519467608
1	Tube	519466605	519466606	519466608
2	Rod	519465605	519465606	519465608

**LEFT HAND (CONT.)**

ITEM	DESCRIPTION	OALH		
		84.0 in.	88.0 in.	94.0 in.
		Mast Group Number	B508 4910	B508 5060
	Cylinder Group Number	8600409	8600410	8600413
	Cylinder	519467609	519467610	519467613
1	Tube	519466609	519466610	519466613
2	Rod	519465609	519465610	519465613

**RIGHT HAND**

ITEM	DESCRIPTION	OALH		
		76.0 in.	80.0 in.	82.0 in.
		Mast Group Number	B508 4310	B508 4460
	Cylinder Group Number	8600455	8600456	8600458
	Cylinder	519467655	519467656	519467658
1	Tube	519466655	519466656	519466658
2	Rod	519465605	519465606	519465608

**OUTER MAST  
(TWO STAGE FULL FREE-LIFT)**

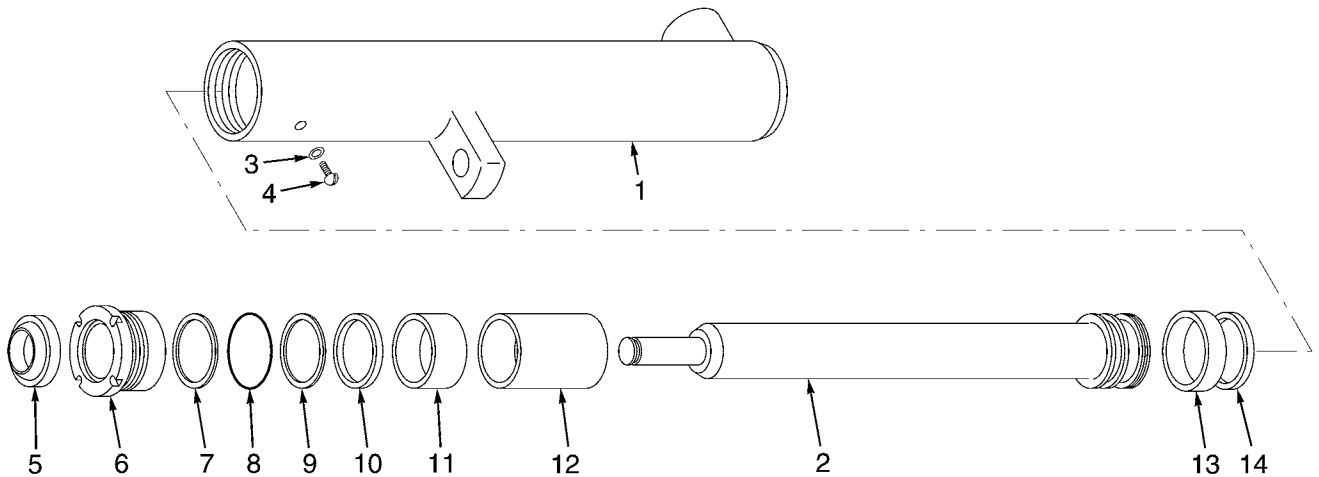
ITEM	DESCRIPTION	OALH		
		78.0 in.	84.0 in.	94.0 in.
		B509 2962	B509 3262	B509 3762
1	Outer Mast	504065758	504065762	504065777

ITEM	PART NO.	DESCRIPTION	QTY
1	<b>a</b> . . . . .	Outer Mast.....	1
2	504066700	Stubshaft.....	2
3	012824300	O-Ring.....	4
4	504234265	Shim (0.020 in.).....	4
4	504234265	Shim (0.020 in.).....	AR
5	504233279	Bearing Strip.....	2
6	520036837	Load Roller.....	2
7	504233232	Shim (0.020 in.).....	AR
8	015916300	Snap Ring.....	2

**FOOTNOTES:**

**a** Refer to Table

**MAIN CYLINDER  
(RIGHT HAND) (TWO STAGE FULL FREE-LIFT)  
(S/N PENDING PER ECN 73680⇒)**



BP170003

ITEM	DESCRIPTION	OALH		
		78.0 in.	84.0 in.	94.0 in.
	Mast Group Number	B509 2962	B509 3262	B509 3762
	Cylinder Group Number	8509606	8509609	8509614
	Cylinder (LH)	580025315	580025229	580025234
1	Shell	519681606	519681609	519681614
2	Rod	519680606	519680609	519680614

ITEM	PART NO.	DESCRIPTION	QTY
	a . . . . .	Cylinder (LH) .....	1
1	a . . . . .	Shell .....	1
2	a . . . . .	Rod.....	1
3	502687901	Seal .....	1
4	501753914	Capscrew .....	1
5	504163200	Wiper Ring .....	1
6	580006341	Gland.....	1
7	500167920	Back-Up Ring .....	1
8	015492900	O-Ring.....	1
9	504154200	Back-Up Ring .....	1
10	580022502	Rod Seal .....	1
11	518794659	Wear Ring .....	1
12	505657513	Spacer.....	1
13	504017203	Wear Ring .....	1
14	502895201	Piston Ring.....	1
	580025048	Seal Kit (Includes Items 3, 5, 7-11, 13) .....	1

**FOOTNOTES:**

a Refer to Table

**SIDE-SHIFT CARRIAGE**

ITEM	PART NO.	DESCRIPTION	QTY
	<b>d</b> 506250524	Side-Shift Carriage (38 in.).....	1
	<b>c</b> 504243714	Side-Shift Carriage (38 in.).....	1
	<b>c</b> 504243712	Side-Shift Carriage (42 in.).....	1
	<b>d</b> 506250525	Side-Shift Carriage (42 in.).....	1
	<b>c</b> 504263788	Side-Shift Carriage (48 in.).....	1
	<b>d</b> 506250526	Side-Shift Carriage (48 in.).....	1
1	900003215	Apron (38 in.) .....	1
1	504071728	Apron (42 in.) (Top).....	1
1	518801652	Apron (48 in.) (Top).....	1
2	518807605	Apron (38 in.) .....	1
2	580010507	Shim (38 in.) (Lower Bearing).....	6
2	518807699	Apron (42 in.) (Lower).....	1
2	580010509	Shim (42 in.) (Lower Bearing).....	6
2	518807682	Apron (48 in.) (Lower).....	1
2	580010512	Shim (48 in.) (Lower Bearing).....	6
3	<b>c</b> 580002518	Support (38 in.) .....	1
3	<b>d</b> 580010525	Support (38 in.) .....	1
3	<b>c</b> 580002520	Support (42 in.) .....	1
3	<b>d</b> 580010527	Support (42 in.) (42 in.).....	1
3	<b>c</b> 580002522	Support (48 in.) .....	1
3	<b>d</b> 580010529	Support (48 in.) (48 in.).....	1
4	<b>c</b> 900003218	Bearing (Top).....	1
4	<b>d</b> 580010516	Bearing (Top).....	1
4	<b>c</b> 504071799	Bearing (Top).....	1
4	<b>d</b> 580010518	Bearing (Top) (42 in.) .....	1
4	<b>c</b> 518801665	Bearing (Top).....	1
4	<b>d</b> 580010520	Bearing (Top) (48 in.) .....	1
5	518808609	Bearing (Lower).....	1
5	518808644	Bearing (Lower).....	1
5	504071778	Bearing (Lower).....	1
6	519666601	Side-Shift Cylinder (P10196) .....	1
7	504061740	Capscrew .....	4
8	504061794	Washer .....	4
9	504061746	Rod (Optional).....	2
10	518801602	Capscrew .....	2
11	504230271	Nut (Optional).....	4
12	504230271	Nut.....	4
12	015628700	Lube Fitting .....	3
13	504061795	Shim (0.020 in.).....	AR
14	504061728	Fitting.....	2
14	056363300	O-Ring.....	1
15	<b>b</b> 504071718	Tube.....	1
16	<b>b</b> 504071727	Tube.....	1
17	<b>a</b> 520049875	Hose .....	1
18	<b>a</b> 520049876	Hose .....	1
19	<b>a</b> 312850042	Strap Clamp.....	1

**SIDE-SHIFT CARRIAGE  
(INTEGRAL) (THREE STAGE FULL FREE-LIFT)**

ITEM	PART NO.	DESCRIPTION	QTY
	580023766	Side-Shift Carriage (38 in.).....	1
	580023770	Side-Shift Carriage (42 in.).....	1
	580023773	Side-Shift Carriage (48 in.).....	1
1	580023797	Frame (42 in., 48 in.) (Inner).....	1
1	580023793	Frame (38 in.) (Inner).....	1
2	580023801	Frame (48 in.) (Outer).....	1
2	580023800	Frame (42 in.) (Outer).....	1
2	580023799	Frame (38 in.).....	1
3	580020708	Cylinder Assembly (P12574).....	1
4	580020724	Bearing (Upper).....	2
5	580020726	Bearing (Lower).....	2
6	580020723	Hook (Lower).....	2
7	449001400	Capscrew.....	4
8	061278300	Washer.....	4
9	580026721	Pin.....	2
10	580026723	Cotter Pin.....	2
11	580026725	Pin.....	1
12	015628700	Lube Fitting.....	2
13	580023595	Pin.....	2
14	505978544	Chain Anchor (Dual Hole).....	2
14	580027878	Chain Anchor (Single Hole).....	2
15	500227907	Snap Ring.....	4
16	580033718	Pin.....	2
17	015415900	Cotter Pin.....	2
18	520036852	Load Roller.....	6
19	504233232	Shim (0.020 in.).....	28
20	504235278	Spacer.....	6
21	015916300	Snap Ring.....	6
22	580026720	Shim.....	AR

**HOSE TAKE-UP  
(THREE STAGE FULL FREE-LIFT)**

**GDP 040 RG**

ITEM	DESCRIPTION	OALH		
		76.0 in.	80.0 in.	82.0 in.
	Mast Group Number	B508 4310	B508 4460	B508 4760
1	Hose	c 504070700 d 505969572	c 505968542 d 505969557	cd 505968581
2	Bracket	504297721	504297721	504297721

**GDP 040 RG (CONT.)**

ITEM	DESCRIPTION	OALH		
		84.0 in.	88.0 in.	94.0 in.
	Mast Group Number	B508 4910	B508 5060	B508 5510
1	Hose	c 504070785 d 505969548	c 504070703 d 518799644	c 505968541 d 518799631
2	Bracket	504297721	504297721	504297721

**GDP 050 RG**

ITEM	DESCRIPTION	OALH				
		76.0 in.	82.0 in.	84.0 in.	88.0 in.	94.0 in.
	Mast Group Number	B563 4118	B563 4568	B563 4718	B563 4868	B563 5318
1	Hose	c 504070700 d 505969572	c 505968581 d 518799673	c 504070785 d 505969548	c 504070703 d 518799644	c 505968541 d 518799631
2	Bracket	504297722	504297722	504297722	504297722	504297722
30	Hose	d 900004233	d 506256551	d 518799665	d 505968570	d 506254595

**KEY:**

**A: Three Function**

**B: Four Function**

ITEM	PART NO.	DESCRIPTION	QTY	
			A	B
1	a . . . . .	Hose .....	2	2
2	a . . . . .	Bracket .....	1	1
3	909882404	Nut .....	1	1
4	504068704	Clamp .....	4	4
5	504068737	Strap Clamp .....	2	2
6	504068790	Hose (RH) .....	2	2
6	505959506	Nut (LH) .....	..	2
7	449001014	Capscrew .....	8	8
8	504230271	Nut .....	9	9
9	504070756	Hose Guide .....	2	2
10	504070721	Snap Ring .....	2	2
11	505962533	Spacer .....	1	1
12	505961568	Stubshaft .....	1	1

ITEM	PART NO.	DESCRIPTION	QTY
1	505974566	Lifting Eye (Front) .....	2
2	504240858	Lifting Eye (Rear).....	2
3	311321035	Capscrew.....	16
4	449022017	Lockwasher .....	16
5	505974597	Label (Lifting Eye).....	4

**STROBE LIGHT**

ITEM	PART NO.	DESCRIPTION	QTY
1	580000037	Strobe Light .....	1
2	.....	Screw .....	3
3	.....	O-Ring.....	3
4	580000039	Lens .....	1
5	.....	O-Ring.....	1
6	504232212	Bulb .....	1
7	504232297	Guard .....	1
8	<b>a</b> 900003230	Bracket .....	1
8	<b>b</b> 900003240	Bracket .....	1
9	<b>a</b> 449007052	Screw.....	4
9	<b>b</b> 449007052	Screw.....	2
10	<b>b</b> 900003241	Bar .....	1
11	<b>a</b> 504231270	Nut .....	4
11	<b>b</b> 504231270	Nut .....	3
12	900003247	Screw.....	2
13	059482800	Nut .....	2
14	016103300	Washer .....	2
15	900003231	Clamp .....	1
16	<b>b</b> 449021003	Washer .....	3
16	<b>a</b> 449021003	Washer .....	1
17	<b>b</b> 449007018	Screw.....	1
18	900003244	Wire Harness.....	1
19	516905800	Clamp .....	4
20	900003243	Fuse (25 Amp).....	1

**FOOTNOTES:**

**a** High Mount

**b** Low Mount

**CONTROL VALVE CONVERSION KITS**

DESCRIPTION	PART NUMBER
Three Function (without Clamp Attachment) to Three Function (with Clamp Attachment)	504262763
Three Function (with Clamp Attachment) to Three Function (without Clamp Attachment)	504262764
Three Function (with Clamp Attachment) to Four Function	504262765
Three Function (without Clamp Attachment) to Four Function	504262766

**MIRROR CONVERSION KITS**

DESCRIPTION	PART NUMBER
Raised Overhead Guard (without Cab Mirror Mount)	504264751
Cab Mirror Mount	504264752

**RADIATOR CONVERSION KITS**

DESCRIPTION	PART NUMBER
Radiator Conversion Kit	524143346

**MAST TILT CONVERSION KITS**

DESCRIPTION	PART NUMBER
Mast Tilt (5° Forward/4° Back) (Without Rod End) (With Backtilt Spacers 580000395)	504288754
Mast Tilt (5° Forward/5° Back)	504284766
Non-Rotator Kit (Four Function)	504265705

**TUBE EXTENSION CONVERSION KITS TWO STAGE LIMITED FREE-LIFT**

DESCRIPTION	PART NUMBER
Rotator Kit (Three Function) (0.5 in. Tube Diameter)	504276759

**TUBE EXTENSION CONVERSION KITS TWO AND THREE STAGE FULL FREE-LIFT**

DESCRIPTION	PART NUMBER
Rotator Kit (Three Function) (0.5 in. Tube Diameter)	504276755
Non-Rotator Kit (Three Function) (0.5 in. Tube Diameter)	504265702
Non-Rotator Kit (Four Function) (0.5 in. Tube Diameter)	504265703

**NUMERICAL INDEX**

<b>PART NO.</b>	<b>PG.</b>	<b>ITEM</b>	<b>PART NO.</b>	<b>PG.</b>	<b>ITEM</b>	<b>PART NO.</b>	<b>PG.</b>	<b>ITEM</b>	<b>PART NO.</b>	<b>PG.</b>	<b>ITEM</b>
	12-47	8		9-3	4		11-11	6		2-17	14
449001389	10-9	8		10-5	14		11-29	8		3-7	4
	12-27	10		11-3	12		11-33	8		4-5	12
	13-19	11		11-7	12		11-37	37		5-11	11
	13-24	16		11-8	56		11-41	37		5-13	12
449001398	1-13	2		11-11	12		12-7	14		5-17	5
449001400	13-9	7		11-12	60		12-23	18		6-11	5
	13-11	7		11-29	24		12-28	37		6-15	6
	13-13	7		11-33	24		12-45	10		7-3	22
449001405	1-13	2		11-37	16		13-27	15		7-23	20
449001412	5-15	18		11-41	16	449021002	5-15	8		7-27	20
	6-11	42	449015018	8-3	31		6-13	4		9-3	17
	9-6	41	449015020	9-3	7		6-17	26		9-6	45
	14-17	2		10-9	6		9-5	20		9-9	3
449001415	1-9	27	449015029	11-27	9		14-18	4		10-5	4
	5-17	23	449015044	1-5	28	449021003	5-9	31		10-5	23
	6-11	7		1-9	18		5-15	3		10-9	21
	7-23	8		1-35	8		5-15	27		10-11	3
	7-27	8		4-5	15		5-17	12		11-3	23
449001453	8-3	33		5-17	6		6-17	13		11-7	23
449004080	9-5	17		9-6	46		9-6	43		11-11	23
449007013	6-11	27		10-9	22		11-8	53		11-29	10
449007016	14-5	3		10-11	4		11-12	57		11-33	10
	14-5	6		11-29	11		14-5	9		11-37	2
	14-7	5		11-33	11		14-5	9		11-41	2
449007018	5-15	2		11-37	3		14-7	8		14-9	12
	14-13	17		11-41	3		14-13	16	449022016	1-9	24
449007035	6-17	37		14-9	13		14-13	16		1-13	11
449007050	9-9	8	449015098	1-35	4	449021006	1-9	20		1-35	3
449007052	14-5	6		9-5	12		3-5	6		4-5	17
	14-5	13		10-11	14		3-7	5		4-9	24
	14-7	10		11-4	57		4-5	13		5-9	37
	14-13	9		11-29	7		5-15	21		5-13	4
	14-13	9		11-33	7		9-3	14		5-17	7
449015002	5-9	18		11-37	17		10-5	22		6-11	8
	5-15	5		11-41	17		10-9	20		7-4	50
	6-11	12	449015112	9-11	7		11-3	24		7-23	9
	6-17	4	449021001	1-9	22		11-7	24		7-27	9
	9-11	10		4-7	3		11-11	24		7-30	9
449015009	2-7	38		4-9	31		12-47	7		7-33	9
449015014	1-9	26		5-13	5		14-5	11		9-3	3
	1-13	9		5-15	13		14-5	12		9-5	10
	4-5	16		6-11	38		14-7	11		10-5	15
	4-7	4		7-9	35	449021010	1-5	14		10-9	14
	4-9	29		7-13	38		9-13	3		11-3	13
	5-9	36		7-30	8		12-27	23		11-7	13
	5-15	7		7-33	8		12-47	15		11-8	58
	5-17	8		9-9	23	449022010	8-3	32		11-11	13
	6-11	39		10-5	16	449022013	1-5	25		11-12	62
	7-30	10		11-3	6		1-9	39		11-29	23
	7-33	10		11-7	6		1-35	7		11-33	23

PART NO.	PG.	ITEM	PART NO.	PG.	ITEM	PART NO.	PG.	ITEM	PART NO.	PG.	ITEM
518842601	11-25	1	519466605	12-32	1	519682614	12-50		520038850	14-9	29
518852600	11-25	2	519466606	12-32	1	519996802	1-31	31	520038856	14-9	29
518985600	12-48	3	519466608	12-32	1		1-33	19	520038861	6-13	3
	12-50	3	519466609	12-32	1	519996803	1-31	29	520038864	6-17	20
518988606	12-48	2	519466610	12-32	1		1-33	20	520038865	14-10	29
	12-49	2	519466613	12-32	1	520024802	6-7	10	520038868	6-25	14
518988609	12-48	2	519466655	12-32	1	520024803	6-7	12	520038872	14-9	29
	12-49	2	519466656	12-32	1	520024804	6-7	18	520038893	9-5	36
518988614	12-48	2	519466658	12-32	1	520024807	6-7	7	520038895	6-35	15
	12-49	2	519466659	12-32	1	520024808	6-7	11	520039800	12-21	1
518989606	12-48	1	519466660	12-32	1	520024809	6-7	8	520039801	11-4	53
	12-49	1	519466663	12-32	1	520024810	6-7	17	520039802	12-21	1
518989609	12-48	1	519467605	12-32		520024811	6-7	25	520039810	13-24	24
	12-49	1	519467606	12-32		520024812	6-7	19	520039830	11-4	58
518989614	12-48	1	519467608	12-32		520024816	6-7	5	520039832	12-21	1
	12-49	1	519467609	12-32		520024817	6-7	24	520039848	12-21	1
519457606	12-12	2	519467610	12-32		520024818	6-7	21	520039852	12-21	1
519457609	12-12	2	519467613	12-32		520024819	6-7	16	520039872	13-24	24
519457613	12-12	2	519467655	12-32		520024820	6-7	20	520039877	12-21	1
519457614	12-12	2	519467656	12-32		520024822	6-7	14	520039880	6-35	9
519457620	12-12	2	519467658	12-32		520024823	6-7	23	520040805	12-39	
519458606	12-12	1	519467659	12-32		520024825	6-7	13	520040834	12-39	
519458609	12-12	1	519467660	12-32		520036816	12-15	2	520040899	12-5	8
519458613	12-12	1	519467663	12-32			12-55	2		12-19	12
519458614	12-12	1	519492607	12-53	2		13-9	13		12-27	29
519458620	12-12	1	519492610	12-53	2		13-11	18		12-47	23
519458656	12-12	1	519492615	12-53	2	520036837	12-3	6	520041644	1-25	19
519458659	12-12	1	519493600	12-35	3		12-5	5	520041804	12-39	1
519458663	12-12	1		12-37	3		12-17	6	520041809	14-9	22
519458670	12-12	1		12-53	3		12-19	6	520041822	1-25	13
519459606	12-12		519510606	12-48			12-21	5	520041829	1-25	15
519459609	12-12		519510609	12-48			12-41	6	520041836	1-25	3
519459613	12-12		519510614	12-48			12-43	5	520041842	12-39	1
519459614	12-12		519664601	13-7	2	520036852	12-39	2	520041844	1-25	5
519459620	12-12		519665601	13-7	1		13-13	18	520041849	1-25	16
519459656	12-12		519666601	13-3	6	520036868	7-30	2	520041852	1-25	12
519459659	12-12			13-7		520036895	1-5	31	520041870	1-25	6
519459663	12-12		519680606	12-50	2	520037801	9-5	6	520041881	11-15	2
519459664	12-12			12-51	2	520037804	12-3	4		11-17	2
519459670	12-12		519680609	12-50	2		12-17	4	520041883	1-25	20
519461601	12-12	2		12-51	2	520037856	11-8	55	520041896	1-25	7
519462601	12-12	1	519680614	12-50	2		11-12	59	520042810	10-11	5
519462651	12-12	1		12-51	2	520037871	6-37	23	520042831	7-3	2
519463601	12-12		519681606	12-50	1	520037888	6-37	24		7-33	12
519463651	12-12			12-51	1	520037895	6-37	22		8-3	25
519465605	12-32	2	519681609	12-50	1	520038825	9-5	34	520043886	6-11	1
519465606	12-32	2		12-51	1		9-11		520044802	12-47	3
519465608	12-32	2	519681614	12-50	1	520038827	6-21	23	520044803	12-7	16
519465609	12-32	2		12-51	1		6-25	23		12-45	13
519465610	12-32	2	519682606	12-50		520038838	6-17	32	520044815	9-13	25
519465613	12-32	2	519682609	12-50		520038845	14-14	6	520044822	6-21	21

CLICK HERE TO **DOWNLOAD** THE COMPLETE MANUAL

- Thank you very much for reading the preview of the manual.
- You can download the complete manual from: [www.heydownloads.com](http://www.heydownloads.com) by clicking the link below



- Please note: If there is no response to CLICKING the link, please download this PDF first and then click on it.

CLICK HERE TO **DOWNLOAD** THE COMPLETE MANUAL