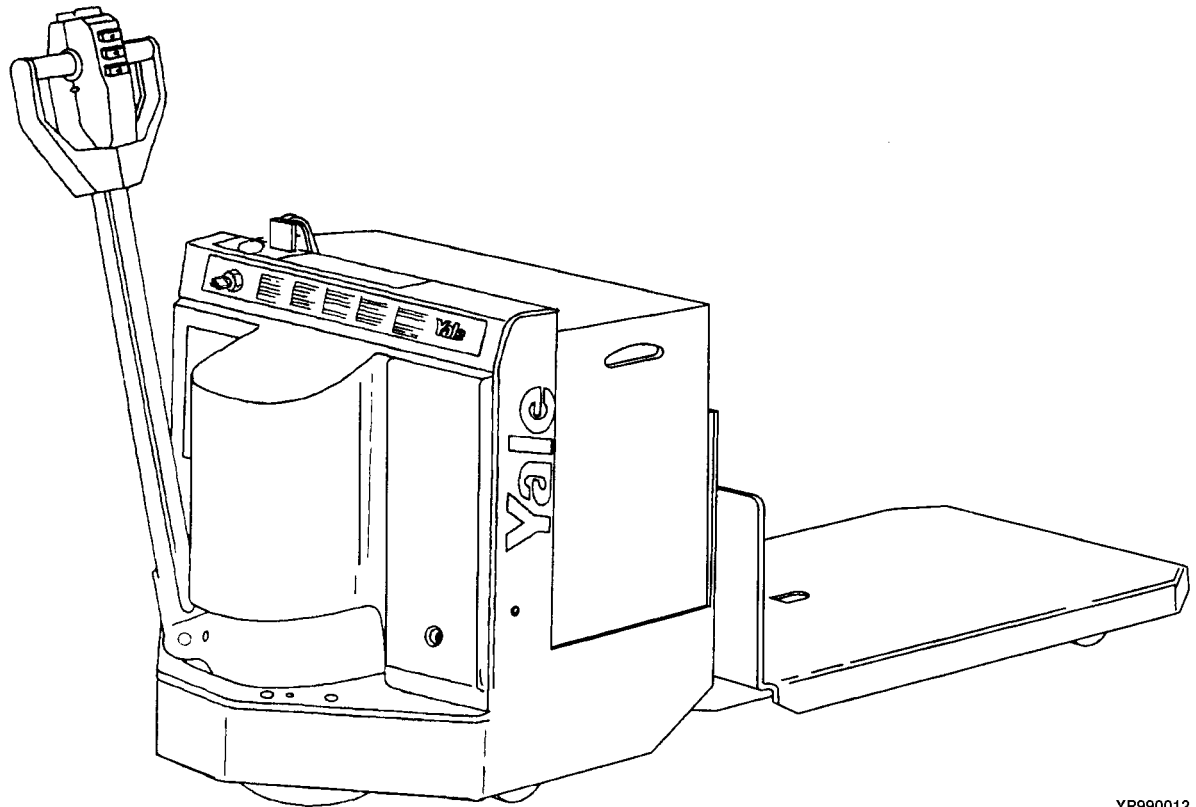


## MLW 040, MLW 060 (B828)



YP990012

CLICK HERE TO **DOWNLOAD** THE COMPLETE MANUAL

- Thank you very much for reading the preview of the manual.
- You can download the complete manual from: [www.heydownloads.com](http://www.heydownloads.com) by clicking the link below



- Please note: If there is no response to CLICKING the link, please download this PDF first and then click on it.

CLICK HERE TO **DOWNLOAD** THE COMPLETE MANUAL

**MASTER PART SHEET CROSS-REFERENCE**

**NOTE:** Throughout this manual are references to Part Sheet Numbers. These references are usually found after the description of a part or assembly. The Part Sheet Number is found on the upper left- or righthand corner of the parts pages.

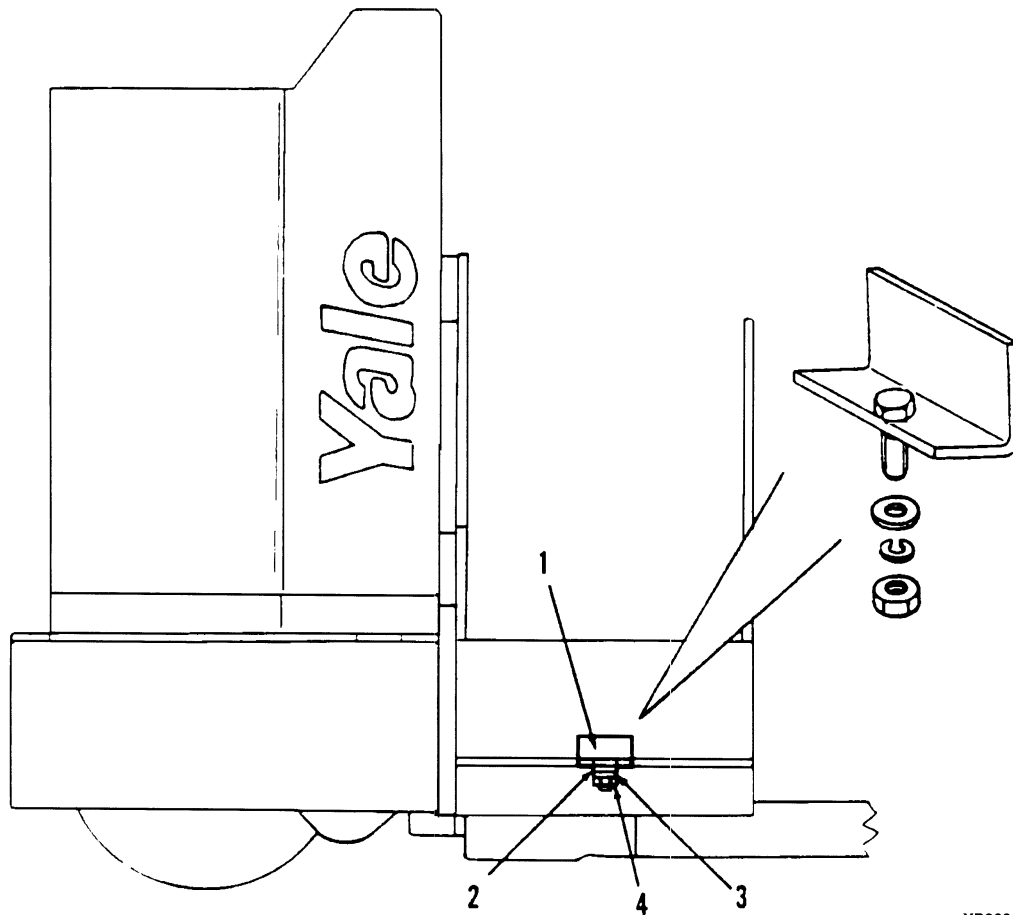
EXAMPLE:

ITEM	PART NO.	DESCRIPTION	QTY
31	505965530	Steering Cylinder (☞ 6E67).....	1
32	504224261	Pin.....	4

Below is a numerical listing of Part Sheet Numbers found in this parts book and what page number they are on.

PART SHEET	PAGE NO.	PART SHEET	PAGE NO.	PART SHEET	PAGE NO.
1C60.....	1-4	9G117.....	4-6	G10012.....	2-12
2Z65.....	3-6	11B61.....	6-4	G10021.....	1-2
5B493.....	2-2	11B80.....	3-8	G10151.....	4-2
5C215.....	2-4	12B135.....	2-18	G10152.....	5-6
6J222.....	5-5	14G89.....	1-8	G10153.....	6-2
6L3CP.....	5-8	15A84.....	1-7	G10288.....	2-6
6R18.....	5-2	G10008.....	3-2	G10345.....	2-16
7H6.....	7-2	G10010.....	2-8	G10362.....	3-10

BATTERY RETENTION



YP260135

ITEM	PART NO.	DESCRIPTION	QTY
1	501921200	Bracket .....	2
2	016110000	Washer .....	2
3	015026600	Lockwasher .....	2
4	014939900	Nut .....	2

**DRIVE MOTOR ASSEMBLY  
(12 VOLT)  
(S/N PENDING PER ECN 83816⇒)**

ITEM	PART NO.	DESCRIPTION	QTY
	580027585	Motor .....	1
1	504574292	Clamp Screw .....	4
2	580028315	Cover .....	1
3	580029718	End Shield .....	1
4	504574294	Lead and Terminal .....	2
5	504230261	Washer .....	4
6	504574295	Bushing .....	2
7	504574296	O-Ring .....	4
8	504574297	Washer .....	2
9	504574298	Washer .....	4
10	015026200	Lockwasher .....	4
11	504230217	Nut .....	8
12	580000285	Brush Holder .....	1
13	580030529	Brush .....	1
14	519432624	Spring .....	1
15	504574285	Screw.....	4
16	504574299	Screw.....	4
17	580029720	Stator Shell .....	1
18	504575200	Bushing .....	2
19	504230216	Washer .....	2
20	062151200	Capscrew.....	8
21	504575203	Main Pole.....	4
22	580029721	Field Coil.....	1
23	580028323	Washer .....	2
24	580028324	Washer .....	1
25	580028325	Shim Washer .....	1
26	580030530	Ball Bearing .....	1
27	580029722	Armature.....	1
28	580030531	Bearing .....	1
29	580030532	Ball Bearing .....	1
30	580028328	End Shield .....	1
31	900014278	Capscrew.....	4
32	580028330	Screw.....	3

**DRIVE MOTOR  
(24 VOLT)  
(S/N PENDING PER ECN 83960⇒)**

ITEM	PART NO.	DESCRIPTION	QTY
	580027584	Drive Motor (24 Volt).....	1
1	504574292	Clamp Screw.....	4
2	580028315	Cover.....	1
3	580028316	Shield End.....	1
4	580028317	Terminal.....	2
5	504230261	Washer.....	4
6	504574295	Bushing.....	2
7	504574296	O-Ring.....	4
8	504574297	Washer.....	2
9	504574298	Washer.....	4
10	015026200	Lockwasher.....	4
11	504230217	Nut.....	8
12	580028319	Brush Holder.....	1
13	580030697	Brush.....	4
14	580007603	Spring.....	1
15	520053837	Screw.....	4
16	504574299	Screw.....	4
17	580028321	Stator.....	1
18	504575200	Bushing.....	2
19	504230216	Washer.....	2
20	062151200	Capscrew.....	8
21	504575202	Pole Piece.....	4
22	580028322	Field Coil.....	1
23	580028323	Washer.....	2
24	580028324	Washer.....	1
25	580028325	Shim Washer.....	1
26	580030530	Ball Bearing.....	1
27	580028326	Armature.....	1
28	580030531	Bearing.....	1
29	580030532	Ball Bearing.....	1
30	580028328	End Shield.....	1
31	580028329	Screw.....	4
32	580028330	Screw.....	3
33	<b>a</b> 580028320	Brushes.....	4

**FOOTNOTES:**

**a** Not Illustrated

**BRAKE SHOE AND LINKAGE**

ITEM	PART NO.	DESCRIPTION	QTY
1	014936900	Nut .....	2
2	505108201	Rod .....	1
3	620005100	Spring Seat .....	2
4	506511500	Spring .....	1
5	150021305	Brake Shoe (With Bonded Lining) .....	2
6	722316100	Screw .....	2
7	130207100	Pivot .....	2
8	620003100	Link .....	1
9	015918200	Snap Ring .....	2
10	015631300	Lube Fitting .....	2
11	504882701	Screw .....	2
12	620007100	Stud .....	1
13	751729300	Camshaft .....	1
14	620008100	Roller Bearing .....	1
15	720000902	Nut .....	1
16	620001400	Brake Release .....	1
17	620001401	Arm .....	1
18	720272100	Support .....	1
19	015914900	Snap Ring .....	1
20	015628700	Lube Fitting .....	1
21	014936500	Nut .....	2
22	502711901	Bolt .....	1
23	620287100	Switch .....	1
24	724198300	Bracket .....	1
25	062151100	Capscrew .....	1
26	062151300	Capscrew .....	1
27	015026000	Lockwasher .....	2
28	016103500	Washer .....	1
29	751789303	Spacer .....	1
30	500412901	Clamp .....	1
	<b>ab</b> 751922301	Resistor (Heater) (25W-12 Volt) .....	1
	<b>ab</b> 751922302	Resistor (Heater) (25W-24 Volt) .....	1
	<b>ab</b> 750888800	Bracket .....	1
	<b>ab</b> 502552100	Insulator .....	2
	<b>ab</b> 014868600	Screw .....	1
	<b>ab</b> 015026000	Lockwasher .....	1
	<b>ab</b> 014936500	Nut .....	1
	<b>ab</b> 585064900	Clip .....	1

**FOOTNOTES:**

- a** Cold Storage
- b** Not Illustrated

CONTROL HANDLE ASSEMBLY

ITEM	PART NO.	DESCRIPTION	QTY
1	505487500	Actuator .....	1
2	501067206	Spring .....	2
3	503956200	Stopper .....	1
4	505346501	Cover .....	1
5	505712501	Actuator (Lift).....	1
6	505713500	Actuator (Horn) .....	1
7	505712502	Actuator (Lower).....	1
8	501067207	Spring.....	6
9	503896200	Switch Retainer .....	1
10	519296800	Switch.....	4
11	.....	Switch Support.....	1
12	502023905	Capscrew .....	2
13	051545300	Lockwasher .....	4
14	502023904	Capscrew .....	2
15	504058200	Label (Directional Arrow).....	1
	<b>a</b> 504585700	Wire Harness.....	1
16	.....	Cover (Top).....	1
17	500026913	Screw.....	1
18	500026912	Screw.....	1
19	016103500	Washer .....	4
20	015026200	Lockwasher .....	2
21	014936600	Nut .....	2
22	060816600	Capscrew.....	2
23	016104000	Washer .....	2
24	015026400	Lockwasher .....	2
25	504981702	Arm.....	2
26	503894200	Plate .....	1
27	504167200	Eye Bolt .....	2
28	519305803	Grip.....	2
29	503766200	Shaft .....	1
30	507118500	Switch.....	1
31	502205101	Control Lever.....	2
32	061214000	Spring Pin.....	2
33	504449783	Screw .....	1
34	505247201	Standoff .....	1
35	505242200	Gear Spur.....	1
36	518791680	Screw .....	2
37	505263200	Spacer.....	1
38	751199100	Insulator .....	3
39	580004704	Switch.....	2
40	507078500	Potentiometer .....	1
41	505264200	Plate .....	1
42	.....	Base .....	1
43	502023906	Screw.....	2
44	015035700	Lockwasher .....	4
45	502635904	Screw.....	2
46	015035900	Lockwasher .....	2
47	502023907	Screw.....	2
48	016103700	Washer .....	2
49	015015200	Nut .....	2

HYDRAULIC UNIT

ITEM	PART NO.	DESCRIPTION	QTY
	<b>a</b> 580009971	Hydraulic Unit .....	1
	<b>b</b> 580009973	Hydraulic Unit .....	1
1	<b>b</b> 518140605	Pump Motor (☞ 12B135) .....	1
1	<b>a</b> 518140606	Hydraulic Lift Pump Motor (☞ 12B135) .....	1
2	<b>a</b> 518818834	Switch .....	1
2	<b>b</b> 518818835	Switch .....	1
3	61065340C	Coupling .....	1
4	518818801	Adapter .....	1
5	052645100	O-Ring .....	1
6	518818844	Valve Seat .....	1
7	518818818	Plunger .....	1
8	518818817	Spring .....	1
9	518818836	Gasket .....	1
10	518818837	Cap .....	1
11	518818808	O-Ring .....	1
12	518818838	Screw .....	1
13	518818802	Retainer .....	1
14	.....	Screw .....	2
15	012823200	O-Ring .....	1
16	518818825	Snap Ring .....	1
17	518818827	Shim .....	1
18	518818839	Tube .....	1
19	518818832	O-Ring .....	1
20	506138801	Snap Ring .....	1
21	449021006	Washer .....	1
22	518818840	Tube .....	1
23	518818805	O-Ring .....	1
24	503147800	Capscrew .....	4
25	506133800	Breather Cap .....	1
26	.....	Screw .....	4
27	518818841	Reservoir .....	1
28	515912802	Magnet .....	1
29	518818830	Strainer .....	1
30	518818842	Tube .....	1
31	518818810	O-Ring .....	1
32	518818811	Retainer .....	1
33	518818812	Retainer .....	1
34	.....	Screw .....	1
35	<b>a</b> 516595602	Hydraulic Pump (☞ 6J222) .....	1
35	<b>b</b> 516596602	Hydraulic Pump (☞ 6J222) .....	1
36	518818813	O-Ring .....	1
37	518818843	O-Ring .....	1
38	518818808	O-Ring .....	2
39	<b>a</b> 517160602	Solenoid Valve .....	1
39	<b>b</b> 517161602	Solenoid Valve .....	1
40	518818819	Hydraulic Control Valve .....	1
41	518818820	Spring .....	1
42	518818806	Check Valve Kit .....	1

**SECTION 6  
LIFT LINKAGE AND LOAD WHEEL**

<b>DESCRIPTION</b>	<b>PAGE</b>
PLATFORM LIFT LINKAGE .....	6-2
REAR AXLE AND LOAD WHEEL GROUP .....	6-4

**BATTERY ROLLER ASSEMBLY**

ITEM	PART NO.	DESCRIPTION	QTY
	521367002	Battery Roller (13.5 in. Wide Compartment) .....	1
	521367001	Battery Roller (8.12 in. Wide Compartment) .....	1
1	505129501	Roller (8.12 in. Battery Compartment) .....	1
1	505129502	Roller (13.5 in. Battery Compartment) .....	1
2	720089101	Shaft (6-11/16 in. Lg.) (8.12 in. Wide Compartment) .....	5
2	720089102	Shaft (9-11/16 in. Lg.) (13.5 in. Wide Compartment) .....	5
3	015918200	Snap Ring .....	10
4	750807303	Roller (8.12 in. Well) .....	5
4	750807304	Roller Bearing (13.5 in. Well) .....	5
5	500625901	Bushing (Bronze) .....	10
6	502640200	Support .....	2
7	015026200	Lockwasher .....	4
7	059716300	Capscrew .....	4

CLICK HERE TO **DOWNLOAD** THE COMPLETE MANUAL

- Thank you very much for reading the preview of the manual.
- You can download the complete manual from: [www.heydownloads.com](http://www.heydownloads.com) by clicking the link below



- Please note: If there is no response to CLICKING the link, please download this PDF first and then click on it.

CLICK HERE TO **DOWNLOAD** THE COMPLETE MANUAL