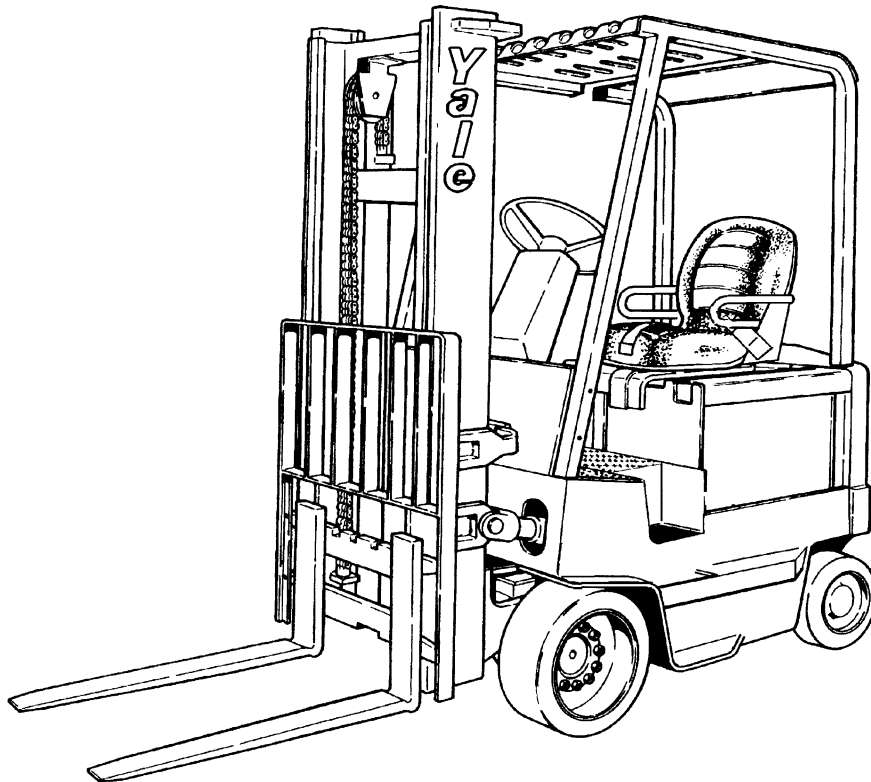


Yale

PARTS MANUAL

ERC 100 HG, ERC 120 HG, ERC 70 HG, ERC 80 HG (A839)



YP990015

Yale

Yale Materials Handling Corporation
1400 Sullivan Drive
Caller No. 12011
Greenville, NC 27834-2011

P/N 524143401
© Yale Corp.
08/2002

CLICK HERE TO **DOWNLOAD** THE COMPLETE MANUAL

- Thank you very much for reading the preview of the manual.
- You can download the complete manual from: www.heydownloads.com by clicking the link below



- Please note: If there is no response to CLICKING the link, please download this PDF first and then click on it.

CLICK HERE TO **DOWNLOAD** THE COMPLETE MANUAL

ABBREVIATIONS QUICK REFERENCE SHEET

Listed below are abbreviations used in parts manuals to denote the following expressions:

TERM	DEFINITION	TERM	DEFINITION
Amp	Amperes	MSTS	Microprocessor Spark Timing System
AR	As Required	NPT	National Pipe Threads
BDI	Battery Discharge Indicators	O/S	Oversize
BWI	Brush Wear Indicator	PTO	Power Take Off
CE	Communicator End	RPM	Revolutions per Minute
CRE	Corrosive Environment	S/N	Serial Number
D/B	Date Break	TMM	Truck Management Module
dbA	Decibel "A" Scale	UL Type D	Diesel-Powered Safety Rating
DE	Drive End	UL Type DS	Diesel-Powered Safety Rating
ECM	Electronic Control Module	UL Type E	Battery-Powered Safety Rating
ECN	Engineering Change Notice	UL Type EE	Battery-Powered Safety Rating
EEPROM	Electrically Erasable Programmable Read Only Memory	UL Type ES	Battery-Powered Safety Rating
EPROM	Electrically Programmable Read Only Memory	UL Type G	Gasoline-Powered Safety Rating
FRE	Freezer Environment	UL Type GS	Gasoline-Powered Safety Rating
in.	inches	UL Type LP	Gas-Powered Safety Rating
LPG	Liquefied Petroleum Gas	UL Type LPS	LP Gas-Powered Safety Rating
MAP	Manifold Absolute Pressure	U/S	Undersize
mm	millimeters	UL	Underwriters Laboratory
		V	Volts

**SECTION 1
GENERAL TRUCK**

DESCRIPTION	PAGE
CONTROL PEDAL LINKAGE	1-30
COUNTERWEIGHT	1-16
FLOOR PLATES AND COVERS	1-8
FOOT DIRECTIONAL CONTROL PEDAL	1-32
FORK	
ERC 100-120 HG	
2.0 IN. X 6.0 IN.	1-36
ERC 70-80 HG	
2.0 IN. X 5.0 IN.	1-34
GENERAL TRUCK	1-2
HOOD	1-12
LABELS	1-5
LOAD BACKREST EXTENSION	
S/N PENDING PER ECN 73815⇒	1-40
⇒S/N PENDING PER ECN 73815	1-38
NON-SUSPENSION SEAT	
SEARS	1-26
OVERHEAD GUARD	1-14
SUSPENSION SEAT	
GRAMMER	1-22
SEARS	1-18

CONTROL PEDAL LINKAGE

ITEM	PART NO.	DESCRIPTION	QTY
1	524138354	Pedal Assembly (☞ P11483)	1
1	520046821	Pedal	1
2	449001386	Capscrew.....	1
3	449015002	Nut	2
4	504228272	Spring	1
5	449001233	Capscrew.....	1
6	449021006	Washer	2
7	504228258	Tube.....	1
8	504228293	Crank.....	1
9	015025600	Lockwasher	1
10	516987826	Screw.....	1
11	504228269	Holder.....	1
12	449001014	Capscrew.....	2
13	504226242	Washer	2
14	580015903	Potentiometer	1
15	580008019	Wire Harness	1
16	504228241	Pad	1
17	504228285	Bracket	1
18	449001302	Capscrew.....	2
19	449021006	Washer	2
20	449022013	Lockwasher	2
21	449015044	Nut	4
22	501702904	Adhesive.....	AR
23	449022013	Lockwasher	2
24	449015014	Nut	2
25	449022016	Lockwasher	2
26	014936000	Nut	2
27	502137903	Lockwasher	2
28	580010427	Insulator.....	1
29	504228295	Switch.....	1
30	014862000	Screw.....	2
31	504228249	Pedal Stop	1
32	940600909	Lockwasher	1
33	449001302	Capscrew.....	1
34	016103200	Washer	2
35	a 520046820	Accelerator Pedal	1
35	a 520046821	Pedal	1
36	a 504228276	Bushing	2
37	a 504227236	Pin	1
38	a 520046822	Pad	1
38	520046823	Plate.....	1
38	520046824	Pad.....	1
38	a 520046825	Pad (Optional)	1
39	a 449007038	Screw.....	2
40	a 940004903	Washer	2
41	a 449022019	Lockwasher	2
42	a 937100903	Nut	2

FOOTNOTES:

a Forward/Reverse Lever

**LOAD BACKREST EXTENSION
(S/N PENDING PER ECN 73815⇒)**

KEY:

A: ERC 070-080 HG

B: ERC 100-120 HG

ITEM	PART NO.	DESCRIPTION	QTY	
			A	B
1	504314700	Load Backrest Extension (42 in.).....	1	..
1	a 524139477	Load Backrest Extension (42 in.).....	..	1
1	504314701	Load Backrest Extension (48 in.).....	1	..
1	a 524139478	Load Backrest Extension (48 in.).....	..	1
1	504314704	Load Backrest Extension (42 in.).....	1	..
1	504314705	Load Backrest Extension (48 in.).....	..	1
2	505960567	Capscrew.....	4	4
3	504233271	Washer	4	4
4	909882405	Nut	4	4

FOOTNOTES:

a For Polished Forks with Full Bottom Taper

**CONTACTOR HYDRAULICS ELECTRICAL
(WITH SINGLE PUMP)**

ITEM	PART NO.	DESCRIPTION	QTY
1	580018785	Wire Harness (Main) (☞ P11496)	1
2	449001014	Capscrew.....	1
3	504230271	Nut.....	1
4	449021001	Washer	1
5	520044880	Clamp	2
6	312850032	Tie Strap.....	AR
7	580014203	Power Cable	1
8	580014210	Wire Harness.....	1
9	580014204	Power Cable	1
10	580014211	Wire Harness.....	1
11	580011639	Grease.....	AR
12	b 580014217	Battery Connector (36 Volt)	1
12	c 580014219	Battery Connector (36 Volt)	1
12	b 580014218	Battery Connector (48 Volt)	1
12	c 580014220	Battery Connector (48 Volt)	1
12	b 514268333	Battery Connector	1
12	c 520045574	Connector (36 Volt)	1
12	b 514268335	Battery Connector	1
12	c 520045576	Connector (48 Volt)	1
12	580023094	Terminal.....	2
12	520045570	Cable.....	1
12	580023095	Cable.....	1
13	449001202	Capscrew.....	2
14	449022018	Lockwasher	2
15	449021003	Washer	4
16	449015002	Nut.....	2
17	c 504231299	Battery Disconnect	1
17	b 530313401	Battery Disconnect	1
18	d 580019504	Timer	1
19	d 449022018	Lockwasher	1
20	d 449015002	Nut.....	1
21	d 449001056	Capscrew.....	1
22	d 449021003	Washer	1
23	a 449001202	Capscrew.....	2
24	a 449022018	Lockwasher	2
25	a 449021003	Washer	4
26	a 449015002	Nut.....	2
27	a 520052888	Spacer	1
28	g 520049833	Horn (36 Volt)	1
28	g 520049835	Horn (48 Volt)	1
28	h 580018832	Horn (36/48 Volt)	1
29	g 580007840	Tab.....	AR
30	580015518	Power Cable	1
31	580015519	Power Cable	1
32	580018796	Controller (☞ P11489)	1
32	580012607	Contactor Driver Module	1
33	524137581	Dash Display (Without Function Keys)	1

**CONTACTOR HYDRAULICS CONTROL PANEL
(WITH SINGLE PUMP)**

ITEM	PART NO.	DESCRIPTION	QTY
1	580018796	Controller (Traction)	1
1	580012489	Plug	1
2	504223239	Silicon Grease	AR
3	449015014	Nut	20
4	449021001	Washer	26
5	449022016	Lockwasher	24
6	932201914	Capscrew.....	17
7	580020939	Power Cable Assembly.....	1
8	580007455	Fuse Block.....	1
9	580007456	Spacer	1
10	504226299	Fuse (325 Amp).....	1
11	504235284	Fuse (500 Amp).....	2
12	518995600	Fuse (60 Amp).....	1
13	449001013	Capscrew.....	5
14	504223252	Label.....	1
15	504223270	Label.....	1
16	580019506	Label.....	1
17	580019500	Bus Bar.....	1
18	504233261	Contactora (Power Steering On-Demand) (☞ P11493)	1
19	449007011	Screw.....	2
20	449022019	Lockwasher	4
21	580011651	Washer	3
22	449001038	Capscrew.....	1
23	580012866	Power Cable	1
24	580012681	Contactora Panel (☞ P11492)	1
25	580012875	Power Cable	1
26	580012860	Plate	1
27	580012607	Contactora Driver Module.....	1
28	449007040	Screw.....	2
29	940004903	Washer	2
30	580019501	Bus Bar.....	1

**CONTACTOR
(PUMP AND 1A)**

ITEM	PART NO.	DESCRIPTION	QTY
	505075504	Contactors	1
1	516857805	Base (Magnet).....	1
2	516856810	Coil	1
3	516865803	Frame	1
4	516869837	Contact (Fixed).....	2
5	516862805	Clamp	2
6	516859806	Spring.....	1
7	516866809	Armature	1
8	519787801	Base	1
9	516861803	Carrier	1
10	519786801	Bushing	1
11	516858806	Contact (Moving).....	1
12	512443801	Spring Seat	1
13	516859802	Spring.....	1
14	516870801	Retainer.....	1
15	Washer	1
16	059482000	Nut.....	1
	520049816	Contact Kit (Includes Items 4, 9-14, 16)	1

STEERING COLUMN
(⇒S/N PENDING PER ECN 64790)

ITEM	PART NO.	DESCRIPTION	QTY
1	b 504236221	Steering Column.....	1
1	a 580019507	Steering Column.....	1
2	b 504227284	Switch.....	2
2	b 524135278	Switch.....	2
3	b 504225278	Handle.....	2
4	504227241	Bearing.....	1
5	064570500	Snap Ring (Internal).....	1
6	504227204	Snap Ring (External).....	1
7	504227269	Steering Wheel.....	1
8	932200902	Capscrew.....	4
9	504224279	Rod.....	1
10	504236292	Nut.....	1
11	504227216	Cap.....	1
12	504227274	Base.....	1
13	504227209	Retaining Ring.....	1
14	504227207	Cap.....	1
15	504225289	Pin.....	1
16	504224256	Shaft.....	1
17	504225224	Tube.....	1
18	504225283	Washer.....	1
19	504225295	Spring.....	1
20	015915300	Snap Ring.....	1
21	501831908	Nut.....	4
22	504300761	Steering Control Unit (⇐ P11747).....	1
22	580017286	Steering Control Unit (⇐ P11748).....	1
23	504225249	Bracket.....	2
24	504224248	Bracket.....	1
25	b 504224243	Lever.....	1
26	504225202	Screw.....	2
27	504227284	Switch.....	1
27	524135278	Switch.....	1
28	032643500	Nut.....	2
29	a 580013910	Wire Harness.....	1
29	b 580013911	Wire Harness.....	1
30	449001343	Capscrew.....	2
31	504225291	Cover.....	1
32	518821816	Screw.....	6
33	504239227	Rod End Pin.....	1
34	449001028	Capscrew.....	2
35	504225245	Bracket.....	1
36	504225228	Latch.....	1
37	504225204	Spring.....	1
38	504225288	Bar.....	1
39	504225287	Plate.....	2
40	449001013	Capscrew.....	4
41	b 504224290	Block.....	4
42	504225263	Plate.....	1
43	b 449001121	Capscrew.....	4
44	b 504225201	Screw.....	4
45	b 032643500	Nut.....	4

STEERING AXLE

ITEM	PART NO.	DESCRIPTION	QTY
	a 520045585	Steering Axle Assembly.....	1
	b 580030005	Steering Axle Assembly.....	1
1	520045586	Axle	1
2	504224271	Cover.....	2
3	502056904	Clamp.....	2
4	062159700	Clamp.....	2
5	504224261	Pin.....	2
6	015918200	Snap Ring	4
7	a 504224219	Tie Rod.....	2
7	b 580030004	Tie Rod.....	2
7	504224264	Bushing.....	1
8	065267300	Nut.....	2
9	015420100	Cotter Pin	2
10	311323023	Capscrew	8
11	580001875	Cap.....	2
12	072387301	Bearing Cone	2
13	072387302	Bearing Cup	2
14	504224298	Seal.....	2
15	504224231	Wear Sleeve.....	2
16	a 520045587	Spindle (RH).....	1
16	b 580029637	Spindle (RH).....	1
17	a 520045588	Spindle (LH)	1
17	b 580029366	Spindle (LH)	1
18	065001000	Bearing Cone	2
19	520045589	Seal.....	2
20	504224242	Seal.....	2
21	504225236	O-Ring.....	2
22	504224222	Shim (0.005 in.).....	AR
22	504224232	Shim (0.007 in.).....	AR
22	504224292	Shim (0.020 in.).....	AR
23	520045591	Cap.....	2
24	065000900	Bearing Cup	2
25	015628100	Lube Fitting	2
26	931014904	Screw	6
27	520039889	Sealant	AR
28	504804763	Steering Cylinder (☞ P11749)	1
29	502175920	Bearing Cone	2
30	520049820	Bearing Cone	2
31	504224218	Oil Seal.....	2
32	502175921	Bearing Cup	2
33	053236500	Bearing Cup	2
34	504224217	Wear Sleeve	2
35	504240211	Nut.....	2
36	015418400	Cotter Pin	2
37	504227283	Hub Cap	2
38	520045592	Washer	2
39	520045593	Mount	2
40	520045594	Mount	2
41	504224214	Plate	2
42	502565903	Capscrew.....	4

**SECTION 5
BRAKE SYSTEM**

DESCRIPTION	PAGE
BRAKE ASSEMBLY	5-6
BRAKE LINKAGE	5-2
MASTER CYLINDER	5-5
PARK BRAKE	5-8
PARK BRAKE LINKAGE WITH SEAT BRAKE	5-10
SEAT BRAKE 11.0-INCH MOTOR	5-14
13.0-INCH MOTOR	5-16

**PARK BRAKE LINKAGE
(WITH SEAT BRAKE)**

KEY:

A: 11.0 in. Motor

B: 13.0 in. Motor

ITEM	PART NO.	DESCRIPTION	QTY	
			A	B
1	580025785	Switch	1	1
2	504225201	Screw.....	2	2
3	500552902	Lockwasher	2	2
4	032643500	Nut	2	2
5	751199100	Insulator.....	1	1
6	580027135	Wire Harness.....	1	1
7	504223254	Lever.....	1	1
8	504235220	Rod.....	1	1
9	504235267	Thrust Bearing.....	2	2
10	504235219	Cup.....	2	2
11	504235241	Spring	1	1
12	580010735	Bracket	1	1
13	504225284	Ball Joint.....	2	2
14	014972900	Nut	6	6
15	014939700	Nut	4	4
16	504226237	Washer	1	1
17	504225230	Nut	2	2
18	504225225	Screw.....	1	1
19	504226282	Washer	1	1
20	015026400	Lockwasher	2	2
21	520046811	Spring	1	1
22	520046812	Spacer	1	1
23	504236244	Bushing	1	1
24	504225227	Washer	2	2
25	311321033	Capscrew.....	1	1
26	909882405	Nut	1	1
27	504225276	Nut	1	1
28	449021042	Washer	1	1
29	520046813	Ball Joint.....	1	1
30	015026200	Lockwasher	1	1
31	014939600	Nut	1	1
32	504574261	Rod End	1	1
33	504239227	Rod End Pin	1	1
34	015416200	Cotter Pin	1	1
35	449022016	Lockwasher	6	6
36	062236400	Capscrew.....	4	4
37	015026400	Lockwasher	4	4
38	449001013	Capscrew.....	6	6
39	014972700	Nut	2	2
40	504223204	Brake Assembly (↔ P11743)	1
40	520046814	Brake Assembly (↔ P11742)	1	..
41	504224274	Spacer	1	..
41	580015817	Spacer	1
42	504223263	Hub.....	1	..
42	520046815	Hub.....	..	1
43	520046808	Rod.....	1	..

**SINGLE PUMP AND MOTOR HYDRAULICS
(ERC 70-80 HG)**

ITEM	PART NO.	DESCRIPTION	QTY
1	520051802	Plug	1
2	520050828	Hose	1
3	520051804	Hose	1
4	203331400	Fitting.....	2
5	012827000	O-Ring	1
6	449001302	Capscrew.....	8
7	449022013	Lockwasher	8
8	064426800	Fitting.....	2
9	080560100	O-Ring	1
10	504228263	Fitting (Optional).....	1
10	504229291	Fitting.....	2
11	580006831	Pump (Hydraulic) (☞ P11782)	1
11	580003863	Hydraulic Pump (KAYABA) (Hydraulic) (☞ P11782)	1
12	504229285	Hydraulic Motor (☞ P11783)	1
12	730047001	Hydraulic Motor (☞ P11784)	1
12	730047002	Hydraulic Motor (☞ P11784)	1
12	504229277	Hydraulic Motor (☞ P11785)	1
12	520052882	Hydraulic Motor (☞ P11785)	1
13	504228265	Bracket	1
14	504229270	Rod	1
15	504228297	Grommet.....	2
16	502398904	Washer	2
17	504223299	Clamp	2
18	449001013	Capscrew.....	3
19	449022016	Lockwasher	7
20	449015014	Nut	4
21	a 504228203	Coupling	1
21	a 504235277	Insert (White)	1
21	b 580001071	Coupling	1
22	055486800	Capscrew.....	2
23	015026400	Lockwasher	2
24	642308800	Fitting.....	2
25	449001014	Capscrew.....	4
26	449021001	Washer	1
27	504228207	Bumper.....	1
28	504229298	Nut	2
29	023604600	Washer	3
30	502056903	Clamp	4
31	520045431	Hose	1
32	449001014	Capscrew.....	1
33	449022016	Lockwasher	1
34	449015014	Nut	2
35	500412904	Clamp	2
36	502546903	Fitting.....	1
36	052645200	O-Ring.....	1
37	504060741	Tube.....	1
38	520045435	Tube.....	1
39	520045436	Screen	1
40	520045437	Hose	1
41	960100925	Clamp	2

**HYDRAULIC MOTOR
(CLOSED CONSTRUCTION WITH BWI AND TEMP SENSOR)
(S/N A839N-01711⇒)**

ITEM	PART NO.	DESCRIPTION	QTY
	580024696	Hydraulic Motor	1
1	580029653	Shield (D).....	1
2	580027008	Ball Bearing	1
3	580027009	Lockring	1
4	580029651	Armature.....	1
5	580029652	Frame	1
6	580027010	Screw.....	6
7	580027011	Spring Washer.....	6
8	580027013	Brush Holder	1
9	580027014	Screw.....	8
10	580027015	Screw.....	4
11	580027016	Washer	4
12	580027017	Washer (Spring)	4
13	580027019	Ball Bearing	1
14	580027027	Washer	1
15	580029645	Shield (N).....	1
16	580029664	Key (Woodruff).....	1
17	580029661	Connector	1
18	580029663	Brush	8
19	580029660	Housing	1
20	580027018	Connection	1
21	580027024	Nut	1
22	580027022	Lockwasher	1
23	580027026	Nut	1
24	580027025	Spring Disc	1
25	580027020	Bushing	2
26	580027021	Washer (Tooth)	1
27	580027028	Screw.....	4
28	580027011	Spring Washer.....	10
29	580028433	Cover (Commutator End)	1
30	502635903	Screw.....	2
31	721368101	Nut	2
32	580028505	Cover (Drive End).....	1

**CONTROL VALVE ATTACHING PARTS
(FIVE FUNCTION)**

ITEM	PART NO.	DESCRIPTION	QTY
1	062487500	Fitting.....	1
1	052645300	O-Ring.....	1
2	052643400	Fitting.....	1
2	052645400	O-Ring.....	1
3	520045427	Clamp	1
4	055746400	Fitting.....	2
4	052645300	O-Ring.....	1
5	449001014	Capscrew.....	1
6	449022016	Lockwasher	1
7	504226242	Washer	1
8	449015014	Nut	1
9	054368800	Fitting.....	6
9	052645300	O-Ring.....	1
10	520045406	Fitting.....	6
11	520045407	Bracket	2
12	520045408	Grommet.....	6
13	449001014	Capscrew.....	3
14	449022016	Lockwasher	3
15	449015014	Nut	3
16	580010718	Tube.....	1
17	580010717	Tube.....	1
18	580010716	Tube.....	1
19	580010715	Tube.....	1
20	500412904	Clamp	2
21	a 520045426	Hose	1
21	b 580032995	Hose	1
22	580010714	Tube.....	1
23	580010713	Tube.....	1
24	122392115	Fitting.....	1
24	052645400	O-Ring.....	1
25	520045434	Hose	1
26	062159500	Clamp	1
27	580010720	Tube.....	1
28	580010719	Tube.....	1

FOOTNOTES:

a ⇒ S/N PENDING PER ECN 73815

b S/N PENDING PER ECN 73815 ⇒

**CONTROL VALVE
(THREE FUNCTION)**

ITEM	PART NO.	DESCRIPTION	QTY
	520045409	Valve Assembly	1
1	Rod.....	1
2	Nut.....	2
3	Nut.....	4
4	Rod.....	2
5	504230254	Outlet Section.....	1
6	504230263	Spool Section	1
6	Housing.....	1
7	Spool.....	1
8	504230246	Seal Plate	2
9	504235263	O-Ring	2
9	504236247	Wiper	2
10	012823300	O-Ring	1
11	504230298	Spring Seat.....	2
12	504230204	Spring	1
13	504230282	Cap	1
14	504234226	Capscrew.....	2
15	504230209	Spool End	1
16	504230255	Spring	1
17	504230234	Poppet.....	1
18	502635907	Screw	2
19	520051838	Spool Section	1
19	Housing.....	1
20	Spool.....	1
21	504230246	Seal Plate	2
22	504235263	O-Ring	2
22	504236247	Wiper	2
23	012823300	O-Ring	1
24	Piston.....	1
25	504230236	Spring Seat.....	2
26	504230204	Spring	1
27	504230207	Spring	1
28	504230282	Cap	1
29	504234226	Capscrew.....	2
30	504230234	Poppet.....	1
31	504230255	Spring	1
32	502635907	Screw	2
33	062128400	O-Ring	1
34	504230205	Spool End.....	1
35	504230293	Relief Valve	2
35	504232220	Seal Kit	1
36	504230267	Spool Section	1
36	Housing.....	1
37	Spool.....	1
38	504230246	Seal Plate	2
39	504235263	O-Ring	2
39	504236247	Wiper	2
40	504230298	Spring Seat.....	2
41	504230204	Spring	1
42	504230282	Cap	1

CLICK HERE TO **DOWNLOAD** THE COMPLETE MANUAL

- Thank you very much for reading the preview of the manual.
- You can download the complete manual from: www.heydownloads.com by clicking the link below



- Please note: If there is no response to CLICKING the link, please download this PDF first and then click on it.

CLICK HERE TO **DOWNLOAD** THE COMPLETE MANUAL

INNER MAST
(TWO STAGE LIMITED FREE-LIFT)
(⇒S/N PENDING PER ECN 73815)

ERC 100-120 HG

ITEM	DESCRIPTION	OALH			
		84.0 in.	96.0 in.	108.0 in.	126.0 in.
	Mast Group Number	A510 2760	A510 3390	A510 3990	A510 4690
	Mast Assembly	520048895	520048896	520048897	520048898
1	Inner Mast	520050889	520050890	520050891	520050892

ERC 70-80 HG

ITEM	DESCRIPTION	OALH			
		84.0 in.	96.0 in.	108.0 in.	126.0 in.
	Mast Group Number	A510 3020	A510 3650	A510 4250	A510 4950
	Mast Assembly	520048889	520048890	520048891	520048892
1	Inner Mast	520050889	520050890	520050891	520050892

ITEM	PART NO.	DESCRIPTION	QTY
	a	Mast Assembly	1
1	a	Inner Mast	1
2	520045197	Stubshaft.....	2
3	520045277	Stubshaft (RH)	1
3	520045278	Stubshaft (LH).....	1
4	520045153	Shim (0.020 in.).....	AR
5	031202200	Snap Ring	2
6	015916500	Snap Ring	2
7	520045179	Sheave	2
8	520045189	Bearing	1
9	500343915	Snap Ring.....	2
10	520045184	Spacer.....	2
11	520045370	Load Roller (Standard).....	2
11	520045371	Load Roller (0.030 in.).....	2
11	520045372	Load Roller (0.060 in.).....	2

FOOTNOTES:

a Refer to Table

**OUTER MAST
(THREE STAGE FULL FREE-LIFT)
(⇒S/N PENDING PER ECN 73815)**

ERC 100-120 HG

ITEM	DESCRIPTION	OALH				
		84.0 in.	92.0 in.	96.0 in.	100.0 in.	108.0 in.
	Mast Group Number	A511 4060	A511 4620	A511 4940	A511 5240	A511 5690
	Mast Assembly	520048906	520048907	520048908	520048909	520048910
1	Outer Mast	520051883	520051884	520051885	520051886	520051887
12	Chain	520045192	520045208	520050865	520052800	520052802

ERC 70-80 HG

ITEM	DESCRIPTION	OALH				
			92.0 in.	96.0 in.	100.0 in.	108.0 in.
	Mast Group Number	A511 4320	A511 4880	A511 5200	A511 5500	A511 5950
	Mast Assembly	520048901	520048902	520048903	520048904	520048905
1	Outer Mast	520051883	520051884	520051885	520051886	520051887
12	Chain	518804658	518804662	518804669	518804692	518804693

KEY:

**A: ERC 70-80 HG
B: ERC 100-120 HG**

ITEM	PART NO.	DESCRIPTION	QTY	
			A	B
	a	Mast Assembly	1	1
1	a	Outer Mast	1	1
2	520045197	Stubshaft.....	2	2
3	031202200	Snap Ring	2	2
4	012824300	O-Ring.....	4	4
5	520045156	Shim (0.007 in.).....	AR	AR
5	520045157	Shim (0.020 in.).....	AR	AR
6	520045151	Bearing Strip	2	2
7	520045163	Nut.....	2	2
8	520045367	Washer	2	2
9	504234208	Chain Anchor	2	..
9	520045238	Chain Anchor	2
10	520045183	Pin	2	..
10	520045195	Pin	2
11	015417900	Cotter Pin	2	2
12	a	Chain.....	2	2
13	520045370	Load Roller (Standard).....	2	2
13	520045371	Load Roller (0.030 in.).....	2	2
13	520045372	Load Roller (0.060 in.).....	2	2
14	520045153	Shim (0.020 in.).....	AR	AR

FOOTNOTES:

a Refer to Table

**INNER MAST
(THREE STAGE FULL FREE-LIFT)
(S/N PENDING PER ECN 73815⇒)**

ERC 100-120 HG

ITEM	DESCRIPTION	OALH		
	Mast Group Number	A705 4087	A705 4640	A705 5240
	Mast Assembly	8512450	8512453	8512457
1	Inner Mast	580009883	580009902	580009909

ERC 70-80 HG

ITEM	DESCRIPTION	OALH			
	Mast Group Number	A704 4365	A704 4665	A704 4900	A704 5500
	Mast Assembly	8512400	8512402	8512403	8512407
1	Inner Mast	580009883	580009898	580009902	580009909

ITEM	PART NO.	DESCRIPTION	QTY
	a	Mast Assembly	1
1	a	Inner Mast	1
2	580026922	Stub Shaft	2
3	580031672	Load Roller	2
4	520045153	Shim (0.020 in.)	12
5	580012093	Snap Ring	2
6	520045362	Chain Anchor (ERC 70-80 HG)	2
6	580009893	Chain Anchor (ERC 100-120 HG)	2
7	520045195	Pin	2
8	015417900	Cotter Pin	2
9	520045163	Nut	4
10	015418300	Cotter Pin	2

FOOTNOTES:

a Refer to Table

FREE-LIFT
(THREE STAGE FULL FREE-LIFT)
(⇒S/N PENDING PER ECN 73815)

ERC 100-120 HG

ITEM	DESCRIPTION	OALH				
		84.0 in.	92.0 in.	96.0 in.	100.0 in.	108.0 in.
	Mast Group Number	A511 4060	A511 4620	A511 4940	A511 5240	A511 5690
	Mast Assembly	520048906	520048907	520048908	520048909	520048910
1	Chain	520045193	520050865	520050836	520050865	520050836
19	Hose	520045286	520045301	520045313	520050882	520045313

ERC 70-80 HG

ITEM	DESCRIPTION	OALH				
			92.0 in.	96.0 in.	100.0 in.	108.0 in.
	Mast Group Number	A511 4320	A511 4880	A511 5200	A511 5500	A511 5950
	Mast Assembly	520048901	520048902	520048903	520048904	520048905
1	Chain	520050829	518804673	504233212	518804673	504233212
19	Hose	520045286	520045301	520050882	520050883	520045313

KEY:

A: ERC 70-80 HG
B: ERC 100-120 HG

ITEM	PART NO.	DESCRIPTION	QTY	
			A	B
	a	Mast Assembly	1	1
1	a	Chain	1	1
2	015417900	Cotter Pin	2	2
3	520045183	Pin	2	..
3	520045183	Pin	2	..
4	520045361	Chain Anchor	2	..
4	520045361	Chain Anchor	2	..
5	520045367	Washer	2	2
6	520045163	Nut.....	2	2
7	504225276	Nut.....	2	2
8	504061794	Washer	4	4
9	449001026	Capscrew	2	2
10	Free-Lift Cylinder (☞ P11766)	1	1
11	520045303	Washer	1	1
12	520045152	Spring.....	1	1
13	520045176	Fitting	1	1
14	909882404	Nut.....	1	1
15	504226237	Washer	1	1
16	520045154	Bushing.....	1	1
16	520045203	Sheave	1	1
17	504236240	Stubshaft.....	1	1
18	449001138	Capscrew	1	1
19	a	Hose.....	1	1
20	520045246	Tube	1	1

FREE-LIFT CYLINDER
(THREE STAGE FULL FREE-LIFT)
(S/N PENDING PER ECN 73815⇒)

ERC 100-120 HG

ITEM	DESCRIPTION	OALH		
	Mast Group Number	A705 4087	A705 4640	A705 5240
Cylinder Group Number	8605551	8605554	8605558	
	Lift Cylinder	580009057	580009056	580009059
1	Shell	520579601	520579604	520579608
2	Rod	520580601	520580604	520580608

ERC 70-80 HG

ITEM	DESCRIPTION	OALH			
	Mast Group Number	A704 4365	A704 4665	A704 4900	A704 5500
Cylinder Group Number	8605501	8605503	8605504	8605508	
	Lift Cylinder	580009050	580009049	580009051	580009053
1	Shell	520575601	520575603	520575604	520575608
2	Rod	520576601	520576603	520576604	520576608

KEY:

- A: ERC 70 -80 HG
- B: ERC 100-120 HG

ITEM	PART NO.	DESCRIPTION	QTY	
			A	B
	a	Lift Cylinder.....	1	1
1	a	Shell	1	1
2	a	Rod.....	1	1
3	520585600	Gland.....	1	..
3	520586600	Gland.....	..	1
4	501753904	Screw	1	1
5	504235239	Check Valve	1	1
6	504148200	Washer	1	1
7	501850904	Snap Ring	1	1
8	500381519	Wiper Ring	1	1
9	520045326	Rod Seal	1	1
10	502011923	Back-Up Ring	1	..
10	502011915	Back-Up Ring	1
11	066415900	O-Ring.....	1	..
11	015492400	O-Ring.....	..	1
12	520045324	Wear Ring	1	..
12	520045325	Wear Ring	1
13	520045327	Seal	1	..
13	520045328	Seal	1
14	520045331	Back-Up Ring	1	..

**INNER MAST AND FREE-LIFT
(TWO STAGE FULL FREE-LIFT)
(S/N PENDING PER ECN 73815⇒)**

KEY:

A: ERC 100-120 HG (A707)

B: ERC 70-80 HG (A706)

ITEM	PART NO.	DESCRIPTION	QTY	
			A	B
	008512350	Mast Assembly (2790 MM)	1	..
	008512300	Mast Assembly (3050 MM)	1
	008512306	Mast Assembly (3650 MM)	1
1	524142050	Inner Mast	1	1
1	524142056	Inner Mast	1
2	580010278	Load Roller	2	2
3	580012093	Snap Ring	2	2
4	520045153	Shim (0.020 in.)	12	12
5	580007843	Chain Sheave	2	2
6	500227914	Snap Ring	2	2
7	580007857	Pin.....	1	1
8	449034054	Pin.....	2	2
9	580009890	Guard	2	2
10	449034038	Pin.....	1	1
11	580009889	Crosshead	1	1
12	449021010	Washer.....	2	2
13	449022017	Lockwasher	2	2
14	449001024	Capscrew	2	2
15	Lift Cylinder (☞ P13231)	1	1
16	580032775	Chain	2	..
16	580033291	Chain	2	..
16	580033292	Chain	2
17	502981504	Velocity Fuse.....	..	1
17	502981505	Velocity Fuse.....	1	..
18	520045195	Pin.....	2	2
19	015417900	Cotter Pin	2	2
20	520045362	Chain Anchor	2	2
21	520045163	Nut	4	4
22	015914900	Snap Ring	1	1
23	580009793	Clamp	2	2
24	580009892	Shim.....	AR	AR
25	449001401	Capscrew	2	2
26	504225240	Nut	2	2

**MAIN LIFT CYLINDER
(RIGHT HAND) (TWO STAGE FULL FREE-LIFT)
(⇒S/N PENDING PER ECN 73815)**

ERC 100-120 HG

ITEM	DESCRIPTION	OALH	
		84.0 in.	96.0 in.
	Mast Group Number	A512 2760	A512 3390
	Cylinder Group Number	8605804	8605802
	Lift Cylinder	580011871	580011869
1	Rod	520045255	520050867
14	Tube	520045214	520050845

ERC 70-80 HG

ITEM	DESCRIPTION	OALH	
		84.0 in.	96.0 in.
	Mast Group Number	A512 3020	A512 3650
	Cylinder Group Number	8603632	8603634
	Lift Cylinder	580011861	580011864
1	Rod	520045254	520050866
14	Tube	520045214	520050845

KEY:

- A: ERC 70-80 HG**
- B: ERC 100-120 HG**

ITEM	PART NO.	DESCRIPTION	QTY	
			A	B
	a	Lift Cylinder.....	1	1
1	a	Rod.....	1	1
2	504450753	Wiper Ring	1	..
2	520045346	Wiper Ring	1
3	520045347	Oil Seal.....	1	..
3	520045348	Oil Seal.....	..	1
4	580011758	Retainer.....	1	..
4	580011858	Retainer.....	..	1
5	502011911	Back-Up Ring	1	1
6	504232252	O-Ring.....	1	1
7	502687901	Seal.....	1	1
8	504232217	Back-Up Ring	1	1
9	504232292	Rod Seal	1	1
10	504232291	Wear Ring	1	1
11	520045258	Piston (Free Lift).....	1	1
12	504162200	Piston (Floating).....	1	1
13	064570300	Snap Ring	1	1
14	a	Tube	1	1
15	520045253	Spacer.....	..	1
16	501753914	Capscrew	1	1

FREE-LIFT CYLINDER
(TWO STAGE FULL FREE-LIFT)
(⇒S/N PENDING PER ECN 73815)

ERC 100-120 HG

ITEM	DESCRIPTION	OALH	
		84.0 in.	96.0 in.
	Mast Group Number	A512 2760	A512 3390
	Cylinder Group Number	8602440	8602441
	Lift Cylinder	520083840	520083841
1	Rod	520045235	520050848
15	Tube	520045260	520050871

ERC 70-80 HG

ITEM	DESCRIPTION	OALH	
		84.0 in.	96.0 in.
	Mast Group Number	A512 3020	A512 3650
	Cylinder Group Number	8602457	8602458
	Lift Cylinder	520083857	520083858
1	Rod	520045231	520050846
15	Tube	520045259	520050870

KEY:

- A: ERC 70-80 HG
- B: ERC 100-120 HG

ITEM	PART NO.	DESCRIPTION	QTY	
			A	B
	a	Lift Cylinder.....	1	1
1	a	Rod.....	1	1
2	520045323	Wiper Ring	1	1
3	520045331	Back-Up Ring	1	..
3	520045332	Back-Up Ring	1
4	520045326	Rod Seal	1	1
5	520045161	Wear Ring	1	1
6	520045233	Retainer.....	1	1
7	015492400	O-Ring.....	1	..
7	066415900	O-Ring.....	..	1
8	520045330	Back-Up Ring	1	1
9	520045327	Seal.....	1	..
9	520045328	Seal.....	..	1
10	520045324	Wear Ring	1	..
10	520045325	Wear Ring	1
11	504232230	O-Ring.....	1	1
12	504235239	Check Valve	1	1
13	504233257	Washer	1	1
14	501850904	Snap Ring	1	1
15	a	Tube	1	1

HEADER HOSE
(THREE STAGE FULL FREE-LIFT)
(⇒S/N PENDING PER ECN 73815)

ERC 100-120 HG

ITEM	DESCRIPTION	OALH				
		84.0 in.	92.0 in.	96.0 in.	100.0 in.	108.0 in.
		Mast Group Number	A511 4060	A511 4620	A511 4940	A511 5240
1	Tube	520048844	520048846	520048848	520048850	520048852
2	Hose	520048845	520048847	504063701	520048851	520048853
4	Hose	520045273	520045273	520045273	520045273	520045304
5	Hose	520048834	520048854	520048835	520048857	520048836

ERC 70-80 HG

ITEM	DESCRIPTION	OALH				
			92.0 in.	96.0 in.	100.0 in.	108.0 in.
		Mast Group Number	A511 4320	A511 4880	A511 5200	A511 5500
1	Tube	520048844	520048846	520048848	520048850	520048852
2	Hose	520048845	520048847	504063701	520048851	520048852
4	Hose	520045273	520045273	520045273	520045273	520045304
5	Hose	520048834	520048854	520048835	520048857	520048836

KEY:

- A: Three Function
- B: Four Function
- C: Five Function

ITEM	PART NO.	DESCRIPTION	QTY		
			A	B	C
1	b	Tube.....	2	2	2
2	b	Hose	2	2	2
3	520048840	Hose	2	2	2
4	b	Hose	1	2
5	b	Hose	2	4
6	520045345	Stubshaft	1	1	1
7	449001302	Capscrew.....	1	1	1
7	449022013	Lockwasher	1	1	1
8	015915200	Snap Ring.....	1	1	1
9	520045181	Washer	1	1	1
10	520045368	Sheave	1	1	1
10	520045187	Bushing	1	1	1
11	520045315	Plate	1	1	1
12	520045239	Screw.....	6	6	6
13	520045169	Sheave	2	2	2
14	520045276	Bracket	2	2	2
15	520045275	Shaft.....	1	1	1
16	501921910	Clamp.....	2	2	2
17	013398000	Fitting.....	2	2	2
18	520045196	Spacer	2	2	2

CARRIAGE
(TWO STAGE LIMITED FREE-LIFT)
(⇒S/N PENDING PER ECN 73815)

KEY:

A: E70-80XL3, E100XL3S

B: E100-120XL3

ITEM	PART NO.	DESCRIPTION	QTY	
			A	B
	504286753	Carriage (42.0 in.)	1	..
	504286754	Carriage (48.0 in.)	1	..
	504286757	Carriage (48.0 in.)	1
1	520051874	Carriage (42.0 in.)	1	..
1	520051889	Carriage (48.0 in.)	1	..
1	520051890	Carriage (48.0 in.)	1
2	520045197	Stubshaft.....	6	6
3	031202200	Snap Ring	6	6
3	504072717	Spacer.....	2	2
4	520045369	Load Roller (Standard).....	6	6
4	520045373	Load Roller (0.030 in.).....	6	6
4	520045374	Load Roller (0.060 in.).....	6	6
5	520045153	Shim (0.020 in.).....	AR	AR
6	504234286	Nut.....	2	2
7	504236213	Base Ring.....	2	2
8	504234208	Chain Anchor	2	..
8	520051816	Chain Anchor	2
9	520045183	Pin.....	2	..
9	520045195	Pin.....	..	2
10	015417900	Cotter Pin	2	2
11	a 520045159	Shim (0.030 in.)	AR	AR
11	a 520045395	Shim (0.062 in.)	AR	AR
12	a 520045166	Bracket	2	2
13	a 449001058	Capscrew.....	4	4
14	a 015627900	Lube Fitting.....	2	2
15	a 520045167	Pin	2	2
16	a 520045165	Roller	2	2
17	a 520045150	Pin	2	4
18	a 449022017	Lockwasher	4	4

FOOTNOTES:

a Optional

CARRIAGE
(TWO STAGE FULL FREE-LIFT)
(S/N PENDING PER ECN 73815⇒)

KEY:

A: ERC 70-80 HG

B: ERC 100-120 HG

ITEM	PART NO.	DESCRIPTION	QTY	
			A	B
	504207210	Carriage Assembly (42 in.)	1	..
	504207212	Carriage Assembly (42 in.)	1
1	504407240	Carriage (42 in.)	1	..
1	504407242	Carriage (42 in.)	1
2	580026922	Stub Shaft	6	6
3	580012185	Bracket	2	2
4	580012184	Bearing	2	2
5	580012183	Pin	2	2
6	449022017	Lockwasher	4	4
7	449001058	Capscrew	4	4
8	520045178	Guard (LH)	1	1
9	520045177	Guard (RH)	1	1
10	580025146	Chain Anchor	2	2
11	520045195	Pin	2	2
12	015417900	Cotter Pin	2	2
13	580012093	Snap Ring	6	6
14	580011609	Spacer	2	2
15	520045153	Shim (0.020 in.)	24	24
16	580031672	Load Roller	6	6
17	520045171	Spacer	4	4
18	062144100	Capscrew	4	1
18	203146300	Capscrew	3
19	015026200	Lockwasher	4	4
20	580025656	Pin	2	2
21	500227907	Snap Ring	2	2
22	520045150	Pin	2	2
23	015627900	Lube Fitting	2	2
24	520045395	Shim (0.062 in.)	AR	AR
25	520045159	Shim (0.030 in.)	AR	AR

**INTEGRAL SIDE-SHIFT
(TWO STAGE LIMITED FREE-LIFT) (1067MM (42 IN.) CLASS III)**

ITEM	PART NO.	DESCRIPTION	QTY
	504407245	Carriage (42 in.)	1
1	580033558	Frame	1
2	580013208	Bearing Strip	1
3	580013209	Bearing Strip	1
4	015628700	Lube Fitting	4
5	580013210	Seal	2
6	580013212	Bushing	2
7	580013211	Wiper Ring	2
8	580013480	Snap Ring	2
9	580013213	Rod.....	2
10	315711202	O-Ring.....	2
11	580013204	Bearing Strip	1
12	580013207	Bearing Strip	1
13	580033557	Apron.....	1
14	580013214	Hook.....	2
15	580013481	Screw	6

**INTEGRAL SIDE-SHIFT CARRIAGE
(THREE STAGE FULL FREE-LIFT) (1219 MM (48 IN.) CLASS III) (ERC 70-8- HG)**

ITEM	PART NO.	DESCRIPTION	QTY
	504407250	Carriage (48 in.)	1
1	580033562	Frame	1
2	580013208	Bearing Strip	1
3	580013204	Bearing Strip	1
4	580013209	Bearing Strip	1
5	015628700	Lube Fitting	4
6	580013210	Seal	2
7	580013212	Bushing	2
8	580013211	Wiper Ring	2
9	580013480	Snap Ring	2
10	580013213	Rod.....	2
11	315711202	O-Ring.....	2
12	580013207	Bearing Strip	2
13	580033559	Apron.....	1
14	580013214	Hook.....	2
15	580013481	Screw	6

**INTEGRAL SIDE-SHIFT CARRIAGE
(TWO STAGE FULL FREE-LIFT) (1219 MM (48 IN.) CLASS III)**

ITEM	PART NO.	DESCRIPTION	QTY
	504407254	Carriage (48 in.)	1
1	580033564	Frame	1
2	580013208	Bearing Strip	1
3	580013204	Bearing Strip	1
4	580013209	Bearing Strip	1
5	015628700	Lube Fitting	4
6	580013210	Seal	2
7	580013212	Bushing	2
8	580013211	Wiper Ring	2
9	580013480	Snap Ring	2
10	580013213	Rod.....	2
11	315711202	O-Ring.....	2
12	580013207	Bearing Strip	2
13	580033559	Apron.....	1
14	580013214	Hook.....	2
15	580013481	Screw	6

KEY:

A: Overhead Guard Mounted

B: Mast Mounted

ITEM	PART NO.	DESCRIPTION	QTY	
			A	B
1	580028956	Headlight Assembly	2	2
1	900003246	Headlight	1	1
1	518798659	Flood Lens	1	1
1	520041809	Bulb	1	1
2	520053857	Wire Harness (Headlight)	2	2
3	520046893	Bracket	2
4	903259104	Strap Clamp	6
4	903259104	Strap Clamp	2	..
5	449001418	Capscrew	4
6	449022013	Lockwasher	4
7	312850034	Strap Clamp	6
8	504449702	Light Switch	1	1
9	504232264	Conduit	2	..
10	504226242	Washer	2	..
11	518801606	Bracket (LH)	1	..
11	518801699	Bracket (RH)	1	..
12	504230231	Screw	4	..
13	900003245	Grommet	2	..
14	520045122	Plate	2	..
15	518801686	Bolt	4	..
16	502566901	Washer	4	..
17	504229298	Nut	4	..

NUMERICAL INDEX

PART NO.	PG.	ITEM	PART NO.	PG.	ITEM	PART NO.	PG.	ITEM	PART NO.	PG.	ITEM
	8-69	25		6-31	4		8-43	18	74259300	1-23	19
	8-75	26		6-33	4		8-59	23	80143400	4-11	13
	8-75	27	56056700	8-18	21		8-65	24	80437000	7-14	23
	9-11	4		8-21	2		8-69	23		7-18	22
52645400	6-7	4		8-25	30		8-75	24		7-75	27
	6-27	2		8-31	2	62159500	4-11	8		7-81	17
	6-27	12		8-49	19		6-27	14	80560100	6-3	9
	6-29	2		8-59	26		6-29	23	122392115	6-27	12
	6-29	21		8-65	28		6-31	25		6-29	21
	6-31	2		8-69	26		6-33	26		6-31	23
	6-31	23		8-75	28	62159700	4-13	4		6-33	24
	6-33	2	56363300	6-44	53	62236400	5-11	36	131635419	4-25	1
	6-33	24		6-48	53		8-6	23	135650145	6-17	8
	6-44	52		6-51	5		8-11	28	138583101	6-11	14
	6-48	52		8-45	15		8-14	24	147246000	1-9	11
	6-52	52	57040500	8-59	25		8-18	37	150019502	1-23	8
	7-75	32		8-69	25		8-22	21	150019505	1-23	2
52645500	7-14	23	57048200	5-9	13		8-26	34	150102131	4-30	2
	7-18	22	58801100	5-3	11	62239900	6-55	20	150102633	3-17	2
	7-41	17	59482000	2-25	5		6-57	18	150112324	1-20	63
	7-45	20		2-27	16	62306700	1-20	53		1-24	68
	7-75	27	59711500	4-11	5	62487500	6-27	1		1-28	58
	7-81	17	59716200	1-24	57		6-29	1	150119809	1-19	41
	9-11	12		1-28	47		6-31	1		1-24	45
52645700	6-25	6	59716300	1-24	57		6-33	1		1-27	35
	7-81	20		1-28	47	64426800	6-3	8	203078700	1-19	30
53236500	4-13	33	59719100	4-7	22	64570300	7-58	13		1-23	34
54084100	3-3	45	59986600	8-18	22		7-89	13		1-27	24
54085200	3-4	46		8-59	27		7-93	13	203146300	8-39	18
54368800	6-29	9		8-65	29	64570500	4-3	5		8-43	18
	6-31	9		8-69	27	64824400	7-18	23		8-65	23
	6-33	9		8-75	29		7-45	19		8-75	23
54390900	3-7	20	60050500	9-5	3		7-75	21	203331400	6-3	4
54391000	3-7	19	60269500	8-31	19	65000900	4-13	24	203758700	5-7	7
54820000	6-25	17	61278000	1-9	21	65001000	4-13	18	203758900	5-7	9
	6-44	49	61278200	1-9	12	65267300	4-13	8	253792100	6-35	24
	6-48	49		1-39	3	65619300	1-33	5		6-37	24
	6-52	49		3-7	13	66002400	6-25	2		6-39	24
	7-17	19		3-7	18	66049400	3-8	38		6-41	24
	7-45	22	61278500	1-16	3		6-55	11	296320455	2-23	2
	7-75	23	61554400	4-11	25		6-57	11	296320456	2-23	3
55289900	3-3	44	61643400	6-51	5	66415900	6-55	12	296321148	2-23	8
55485700	6-55	27	61948500	4-11	14		7-65	7	311321033	5-11	25
	6-57	24	62128400	6-43	33		7-69	11	311323021	3-4	51
55486800	1-9	20		6-47	33		7-99	7	311323023	4-13	10
	6-3	22		6-51	33		7-103	11	312850032	2-3	6
	6-7	22	62128500	9-5	15	66417000	7-27	8		2-7	6
	6-7	40	62143700	1-20	53		7-57	7		2-11	6
55746400	4-11	6	62144100	8-37	13		7-61	8		8-21	8
	6-27	4		8-39	18	72387301	4-13	12		8-31	8
	6-29	4		8-41	13	72387302	4-13	13	312850034	9-3	7

NUMERICAL INDEX

PART NO.	PG.	ITEM	PART NO.	PG.	ITEM	PART NO.	PG.	ITEM	PART NO.	PG.	ITEM
	7-79	4		7-31	13		8-65	20	520045192	7-29	12
	8-33	5		7-39	9		8-69	20	520045193	7-49	1
	8-35	3		7-49	6		8-75	20		7-53	23
	8-37	3		7-53	22	520045178	8-37	11		7-85	7
	8-39	15		7-79	21		8-39	8	520045194	7-33	5
	8-41	5		8-35	9		8-43	8	520045195	7-13	3
	8-43	15		8-49	9		8-59	21		7-18	35
	8-49	3		8-51	9		8-65	21		7-29	10
	8-51	3	520045164	7-41	17		8-69	21		7-31	11
	8-59	3	520045165	8-33	16		8-75	21		7-37	10
	8-65	3		8-37	17	520045179	7-9	7		7-39	7
	8-69	3		8-41	20	520045180	7-13	20		7-53	20
	8-75	3	520045166	8-33	12		7-18	21		7-79	18
520045154	7-49	16		8-37	20		7-41	14		7-85	9
520045155	7-13	1		8-41	16		7-46	23		8-33	9
520045156	7-5	5	520045167	8-33	15		7-75	28		8-37	9
	7-7	7		8-37	15		7-81	14		8-39	11
	7-29	5		8-41	19	520045181	8-13	9		8-43	11
	7-31	7	520045168	7-14	24		8-17	7		8-51	7
	7-73	4		7-41	18		8-25	14		8-59	7
	7-75	7		7-81	18	520045182	8-37	6		8-65	7
520045157	7-5	5	520045169	8-13	13		8-41	6		8-69	7
	7-7	6		8-21	5	520045183	7-13	3		8-75	7
	7-29	5		8-31	5		7-18	35	520045196	8-5	8
	7-31	6	520045170	7-13	20		7-29	10		8-13	18
	7-73	4		7-17	21		7-31	11		8-22	18
	7-75	6		7-41	14		7-37	10		8-29	12
520045158	7-31	14		7-45	23		7-49	3		8-31	18
520045159	8-33	11		7-75	28		7-49	3	520045197	7-5	2
	8-37	21		7-81	14		7-85	9		7-9	2
	8-39	25	520045171	8-37	12		8-33	9		7-29	2
	8-41	15		8-39	17		8-35	7		7-33	2
	8-43	25		8-41	12		8-37	9		7-73	2
	8-49	15		8-43	17		8-41	10		7-77	2
	8-51	15		8-59	22		8-41	10		8-33	2
	8-59	16		8-65	22		8-49	7		8-37	2
	8-65	16		8-69	22	520045184	7-9	10		8-41	2
	8-69	16		8-75	22	520045185	7-33	3	520045203	7-49	16
	8-75	16	520045172	7-50	23	520045186	7-33	4	520045204	8-21	10
520045160	7-57	5		7-85	5	520045187	8-5	1		8-31	10
	7-61	4	520045173	7-37	2		8-13	10	520045205	8-22	16
520045161	7-65	5	520045174	7-50	33		8-29	5		8-31	16
	7-99	5	520045175	7-49	21	520045188	7-13	8	520045206	8-37	8
520045162	7-21	5	520045176	7-49	13		7-17	6		8-41	8
	7-23	4		7-85	16		7-41	2		8-41	8
	7-25	5	520045177	8-37	11		7-45	6	520045207	7-13	1
	7-57	5		8-39	9		7-75	15		7-17	2
	7-61	4		8-41	11		7-81	2	520045208	7-29	12
520045163	7-13	6		8-41	11	520045189	7-9	8	520045209	8-22	17
	7-18	33		8-43	9	520045190	7-33	6		8-31	17
	7-29	7		8-59	20	520045191	7-13	1	520045214	7-89	14

CLICK HERE TO **DOWNLOAD** THE COMPLETE MANUAL

- Thank you very much for reading the preview of the manual.
- You can download the complete manual from: www.heydownloads.com by clicking the link below



- Please note: If there is no response to CLICKING the link, please download this PDF first and then click on it.

CLICK HERE TO **DOWNLOAD** THE COMPLETE MANUAL