



Marina, your selected truck is **C846 (MS10 MS12)**

Select a Truck

### Truck Details

Mast Details Search

Publications

View Cart: Pick List 2

Announcements

[Parts Info](#) [Service Manuals](#) [Software](#) [Support](#) [Items](#)

## Parts Information



### Assemblies Available For C846 (MS10 MS12)

- [-] 1. FRAME/DRIVE UNIT
  - 1. COVERS AND ADHESIVE LABELS
  - 2. SUPPORTS AND CASTER WHEELS      3. TRACTION UNIT
  
  - 4. TRACTION MOTOR      5. ELECTROMAGNETIC BRAKE
  
  - 6. DRAWBAR CONTROL BOX (ON-OFF SWITCH VERSION)
  
  - 7. DRAWBAR CONTROL BOX (PROPORTIONAL SWITCH VERSION)
  
- [-] 2. ELECTRICAL SYSTEM
  - 1. ELECTRONIC SYSTEM
  - 2. POWER CABLES DIAGRAM

CLICK HERE TO **DOWNLOAD** THE COMPLETE MANUAL

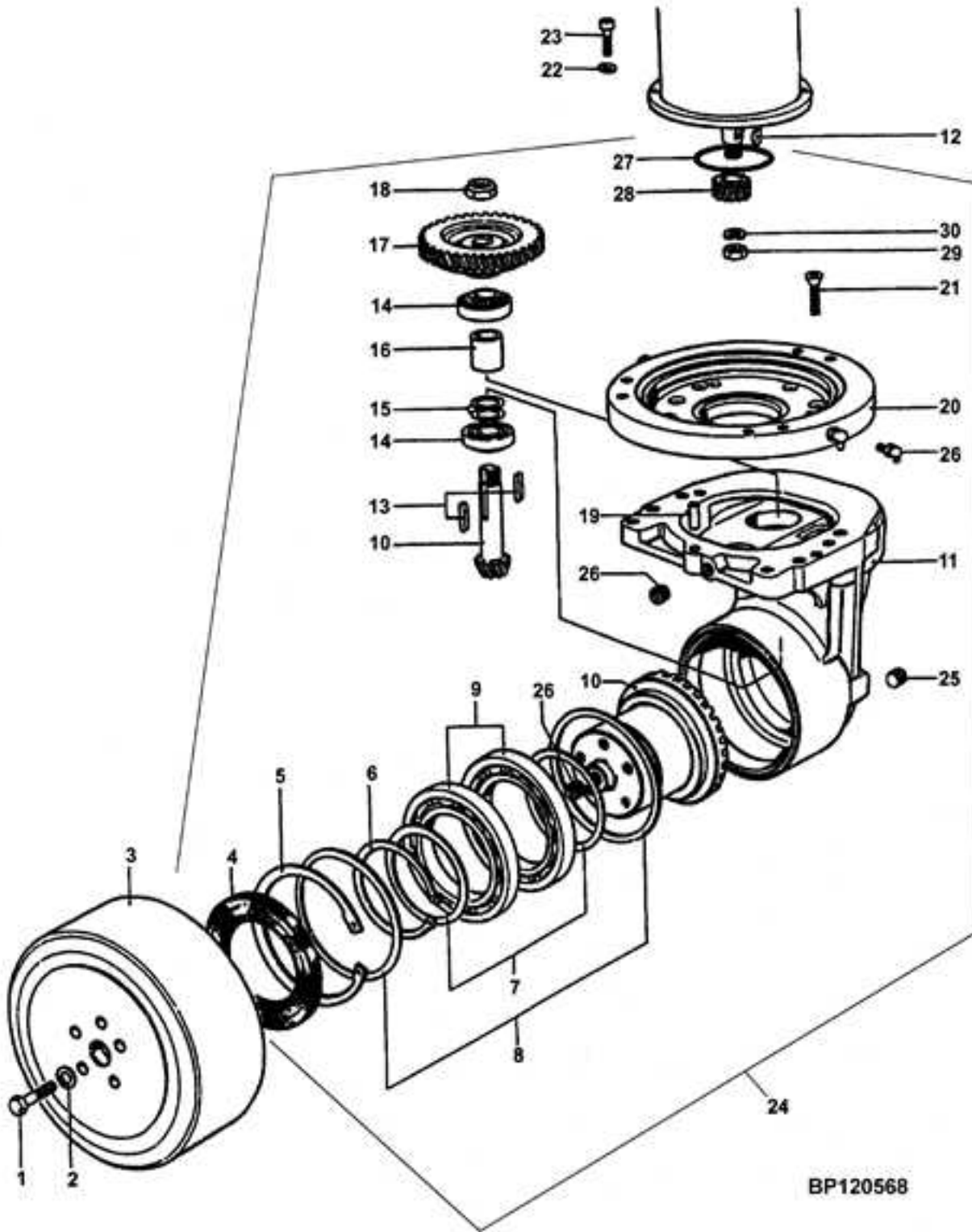
- Thank you very much for reading the preview of the manual.
- You can download the complete manual from: [www.heydownloads.com](http://www.heydownloads.com) by clicking the link below



- Please note: If there is no response to CLICKING the link, please download this PDF first and then click on it.

CLICK HERE TO **DOWNLOAD** THE COMPLETE MANUAL

C846 (MS10 MS12) > FRAME/DRIVE UNIT Assembly > TRACTION UNIT Figure



BP120568

Ref #	Part # Description / Notes	Qty Data Links	
1	449001058	• Qty: 5	
	Capscrew		

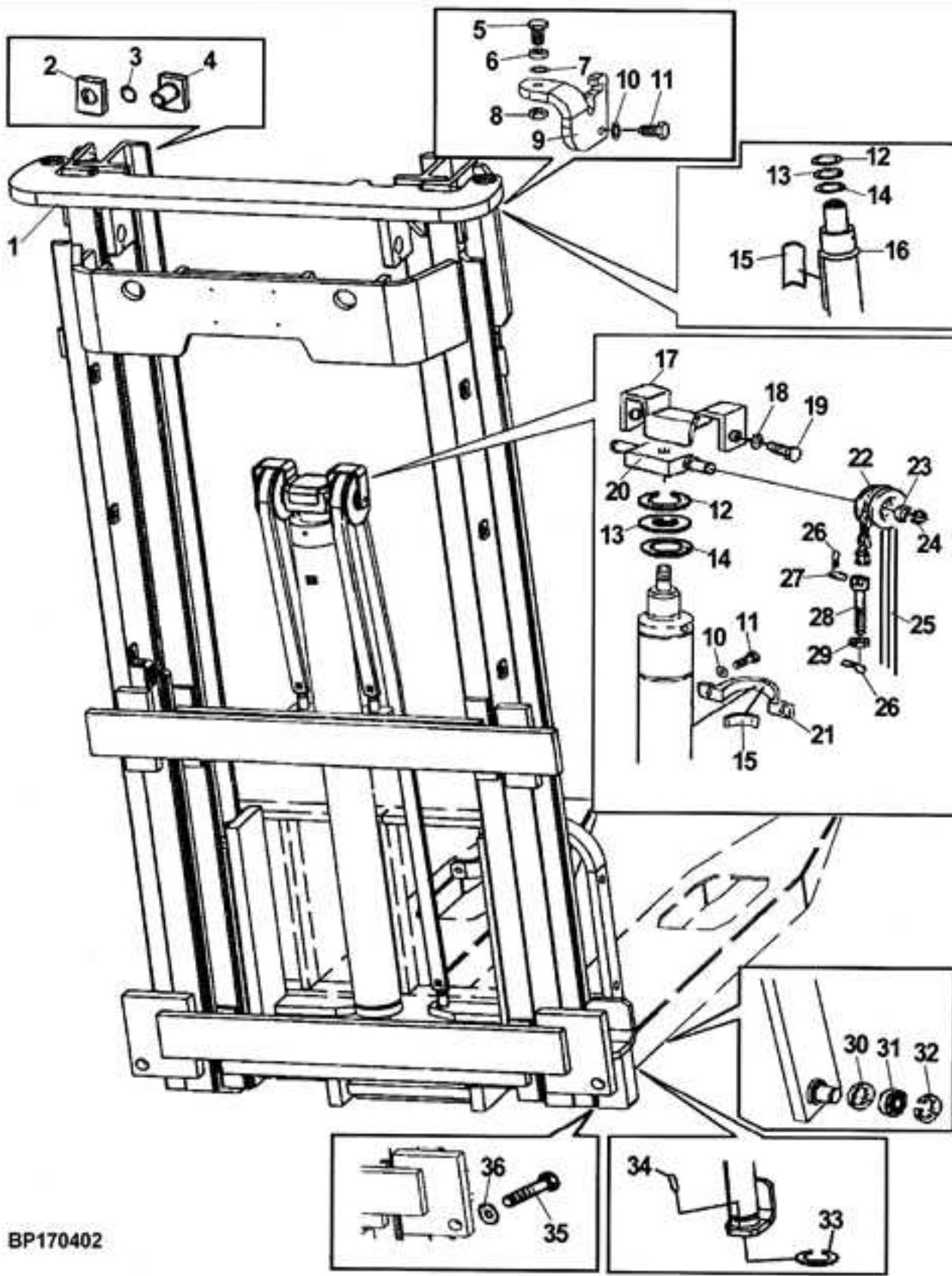
17	580026296	• Qty: 2	
	Capscrew		
18	524236628	• Qty: 1	
	LH Butterfly		
19	580012962	• Qty: 2	
	Bushing		
20	580012970	• Qty: 1	
	Spring gray color		
21	524139006	• Qty: 1	
	Tiller Head (Upper)		
22	580026824	• Qty: 4	
	Microswitch		
23	524139319	• Qty: 4	
	Switch Assembly (2-Wires)		
24	580012969	• Qty: 1	
	Spring		
25	524139009	• Qty: 1	
	Cover (Horn)		
26	524236627	• Qty: 1	
	RH Butterfly		
27	582010514 580011991	• Qty: 1	
	Cover (Belly Switch)		
28	580094457	• Qty: 1	
	Control Card		
29	580013106	• Qty: 1	
	Camshaft		
30	272076200	• Qty: 1	
	Plug		
31	940004902	• Qty: 2	
	Washer		

7	580039031	• Qty: 1	
	Battery Cable		
8	580039030	• Qty: 1	
	Battery Cable		
9	580092138	• Qty: 1	
	Switch		
10	580013300	• Qty: 1	
	Battery Charger		
11	580077549	• Qty: 1	
	Fuse (300 Amp)		
12	580093316	• Qty: 1	
	Power Cable		
13	580093317	• Qty: 1	
	Power Cable		
14	580093318	• Qty: 1	
	Power Cable		
15	580093320	• Qty: 1	
	Power Cable		
16	580093319	• Qty: 1	
	Power Cable		
17	580093537	• Qty: 1	
	Power Cable		
18	580093321	• Qty: 1	
	Power Cable		

1	277263200	<ul style="list-style-type: none"> <li>• Qty <b>A</b>: 1</li> <li>• Qty <b>B</b>: 2</li> <li>• Qty <b>C</b>: 2</li> <li>• Qty <b>D</b>: 1</li> </ul>	
	Fitting		
2	580013476	<ul style="list-style-type: none"> <li>• Qty <b>A</b>: 1</li> <li>• Qty <b>B</b>: 1</li> <li>• Qty <b>C</b>: 1</li> <li>• Qty <b>D</b>: 1</li> </ul>	
	Hydraulic Tube		
3	580013345	<ul style="list-style-type: none"> <li>• Qty <b>A</b>: ..</li> <li>• Qty <b>B</b>: 1</li> <li>• Qty <b>C</b>: 1</li> <li>• Qty <b>D</b>: 1</li> </ul>	
	Tube Assy		
4	277264300	<ul style="list-style-type: none"> <li>• Qty <b>A</b>: 1</li> <li>• Qty <b>B</b>: ..</li> <li>• Qty <b>C</b>: ..</li> <li>• Qty <b>D</b>: ..</li> </ul>	
	Union		
5	277263400	<ul style="list-style-type: none"> <li>• Qty <b>A</b>: ..</li> <li>• Qty <b>B</b>: 2</li> <li>• Qty <b>C</b>: 3</li> <li>• Qty <b>D</b>: 3</li> </ul>	
	Fitting		
6	580026886	<ul style="list-style-type: none"> <li>• Qty <b>A</b>: ..</li> <li>• Qty <b>B</b>: ..</li> <li>• Qty <b>C</b>: 1</li> <li>• Qty <b>D</b>: ..</li> </ul>	
	Tube Assy		
7	580026887	<ul style="list-style-type: none"> <li>• Qty <b>A</b>: ..</li> <li>• Qty <b>B</b>: ..</li> <li>• Qty <b>C</b>: 1</li> <li>• Qty <b>D</b>: ..</li> </ul>	
	Tube Assy h=2603mm		

1	580026907	• Qty: 2	
	Cylinder Assy h=4003mm		
2	580026908	• Qty: 2	
	Kit-Seal		
3	580015694	• Qty: 1	
	Cylinder Assy h=2603mm		
3	580015693	• Qty: 1	
	Cylinder Assy h=2803mm		
3	580015696	• Qty: 1	
	Cylinder Assy h=3003mm		
3	580015697	• Qty: 1	
	Cylinder Assy h=3203mm		
3	580017914	• Qty: 1	
	Cylinder Assy h=3403mm		
3	580015698	• Qty: 1	
	Cylinder Assy h=3603mm		
3	580017904	• Qty: 1	
	Cylinder Assy h=4003mm		
4	580016919	• Qty: 1	
	Kit-Seal		
5	580015508	• Qty: 1	
	Flow Valve		
6	580015507	• Qty: 2	
	Flow Valve		

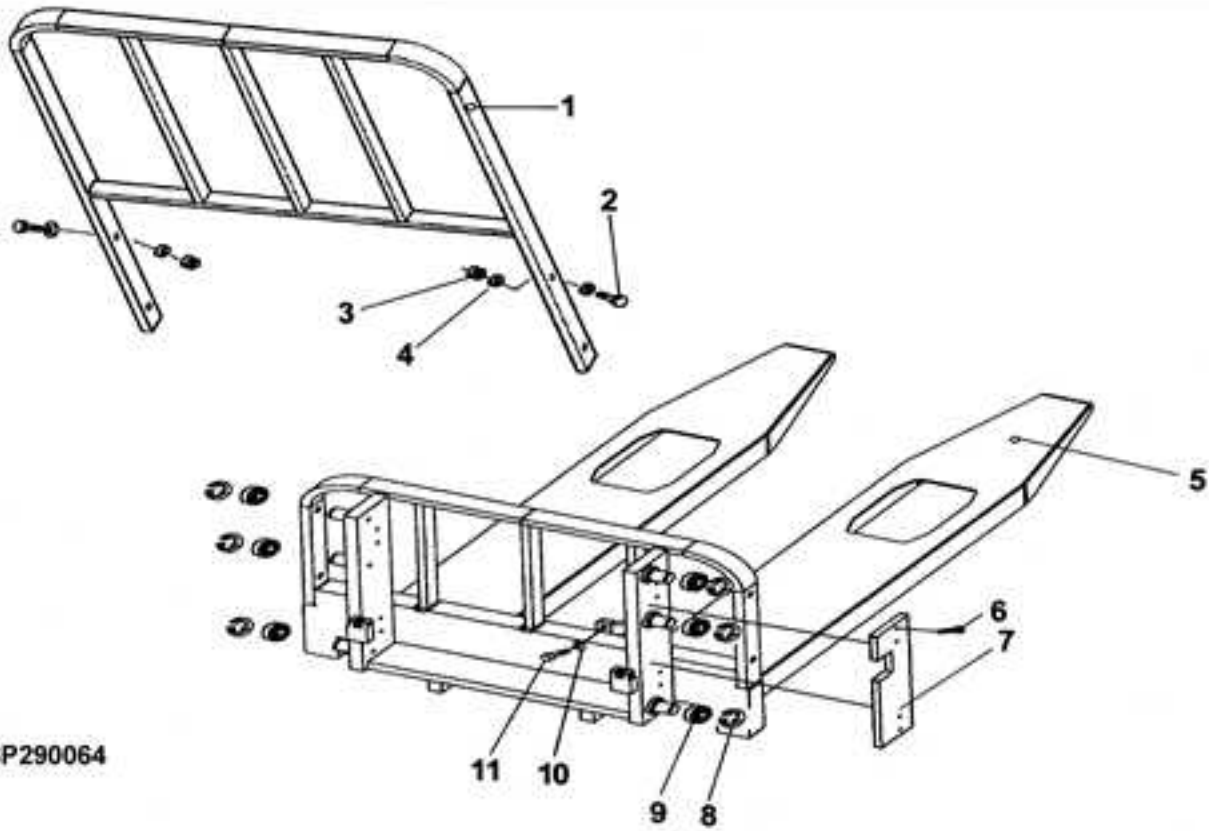
C846 (MS10 MS12) > MAST-TWO STAGE LIMITED FREE-LIFT Assembly > MAST 2 STAGE (FFL) Figure



BP170402

Ref #	Part # Description / Notes	Qty Data Links

C846 (MS10 MS12) > MAST-TWO STAGE LIMITED FREE-LIFT Assembly > FORK 2 STAGE (HI VI) Figure



BP290064

Ref #	Part # Description / Notes	Qty Data Links	
1	580065150	• Qty: 1	
	Load Backrest		
2	580061459	• Qty: 4	
	Screw		
3	580013371	• Qty: 4	
	Nut		
4	449021010	• Qty: 8	
	Washer		
5	524138882	• Qty: 1	
	Carriage 570x65 L=1160mm		
5	524138886	• Qty: 1	
	Carriage 570x55 L=1160mm		
5	524138890	• Qty: 1	
	Carriage 570x65 L=980mm		

6	504233232	• Qty: 100	
	Shim (0.508 mm)		
7	518797634	• Qty: 4	
	Load Roller (82.18 mm) Ø=82,3mm		
8	015916300	• Qty: 4	
	Snap Ring		

CLICK HERE TO **DOWNLOAD** THE COMPLETE MANUAL

- Thank you very much for reading the preview of the manual.
- You can download the complete manual from: [www.heydownloads.com](http://www.heydownloads.com) by clicking the link below



- Please note: If there is no response to CLICKING the link, please download this PDF first and then click on it.

CLICK HERE TO **DOWNLOAD** THE COMPLETE MANUAL