



[Notepad](#) [About](#) [User Settings](#) [Feedback](#) [Help](#) [Log Out](#)

Marina, your selected truck is **C843 (MP20X)**

Select a Truck

### Truck Details

Mast Details Search

Publications

View Cart: Pick List 2

Announcements

[Parts Info](#) [Service Manuals](#) [Software](#) [Support Items](#)

## Parts Information



### Assemblies Available For C843 (MP20X)

1. FRAME/DRIVE UNIT

1. COVERS    2. LABELS AND DECALS

3. BATTERY COMPARTMENT (VERTICAL BATTERY REM)

4. BATTERY COMPARTMENT (LATERAL BATTERY REM)

5. STEERING (ELECTRIC)    6. DRIVE UNIT (ELECTRIC STEERING)

7. STEERING CONTROL UNIT (S/N C843X01500C <=> S/N C843X02022D)

8. STEERING CONTROL UNIT (S/N C843X02023D =>)

CLICK HERE TO **DOWNLOAD** THE COMPLETE MANUAL

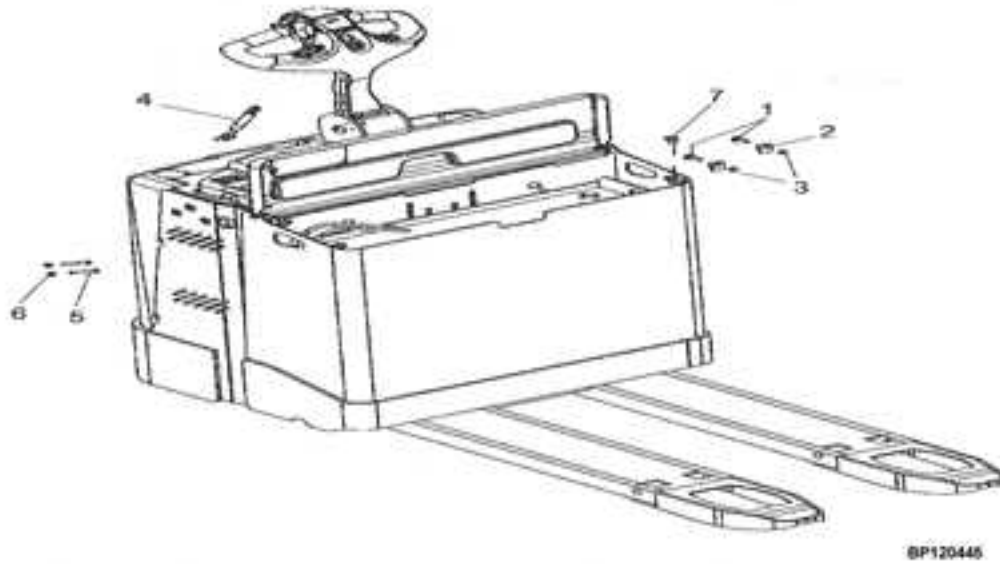
- Thank you very much for reading the preview of the manual.
- You can download the complete manual from: [www.heydownloads.com](http://www.heydownloads.com) by clicking the link below



- Please note: If there is no response to CLICKING the link, please download this PDF first and then click on it.

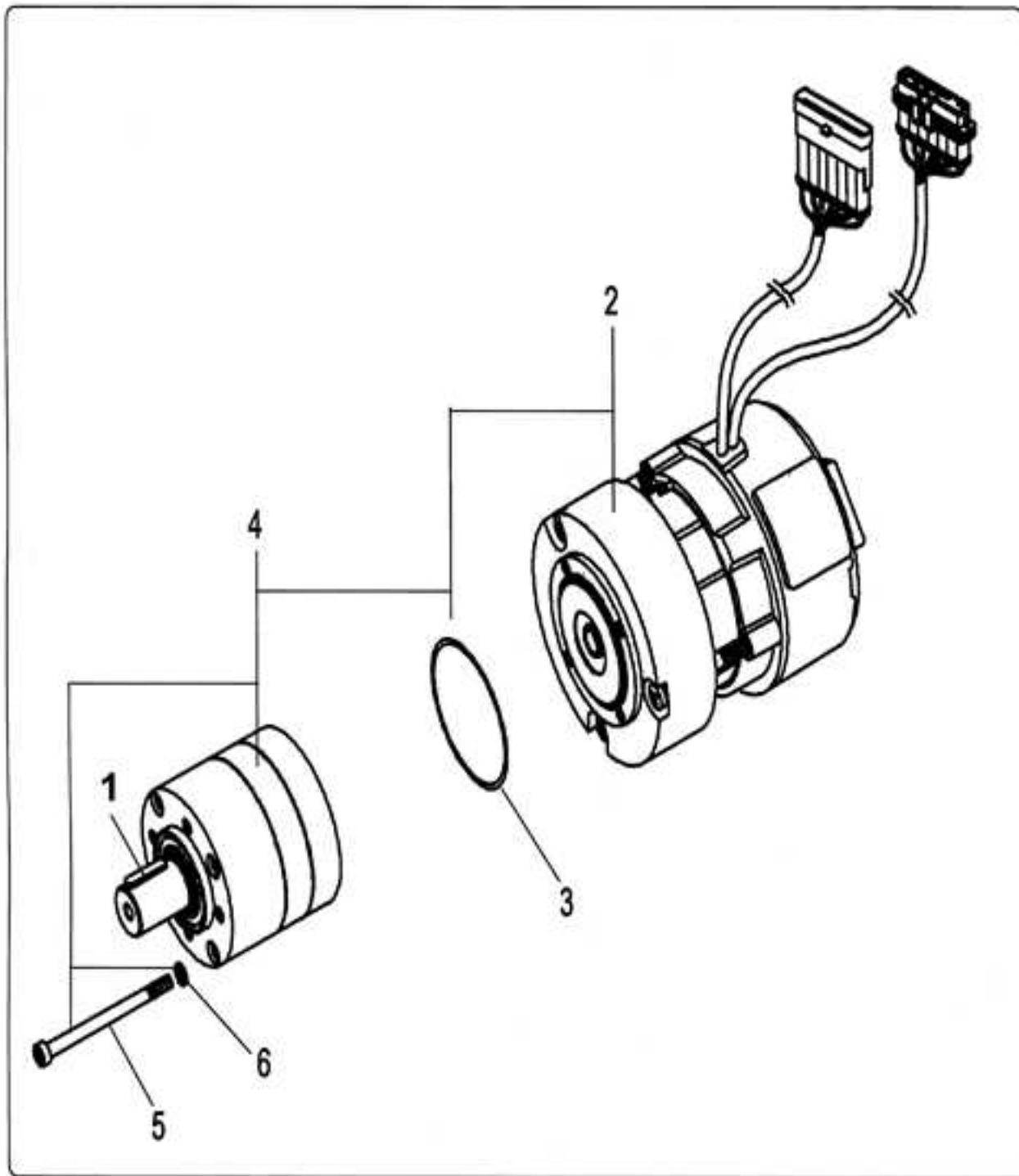
CLICK HERE TO **DOWNLOAD** THE COMPLETE MANUAL

C843 (MP20X) > FRAME/DRIVE UNIT Assembly > BATTERY COMPARTMENT (VERTICAL BATTERY REM) Figure



Ref #	Part # Description / Notes	Qty Data Links	
1	580061261	• Qty: 2	
	Screw		
2	272369100	• Qty: 2	
	Battery		
3	272459800	• Qty: 2	
	Locknut		
4	580058549	• Qty: 1	
	Gas Spring	MSDS	
5	580066002	• Qty: 2	
	Capscrew		
6	449015135	• Qty: 2	
	Nut		
7	277304000	• Qty: 2	

2	580017124	• Qty: 1	
	Seal		
3	580064673	• Qty: 1	
	Support		
4	580039687	• Qty: 4	
	Bushing		
5	580039688	• Qty: 2	
	Bearing		
6	580039689	• Qty: 1	
	Gasket		
7	580039692	• Qty: 4	
	Bolt		
8	580041775	• Qty: 1	
	Housing		
9	580025303	• Qty: 1	
	Plug		
10	580025305	• Qty: 1	
	Gasket		
11	580039694	• Qty: 1	
	Bearing		
12	580039695	• Qty: 1	
	Plate		
13	580039696	• Qty: 14	
	Bolt		
14	580039697	• Qty: 2	
	Bushing		
15	580039767	• Qty: 1	
	Housing		
16	580039699	• Qty: 1	
	Cover		
17	580017125	• Qty: 1	

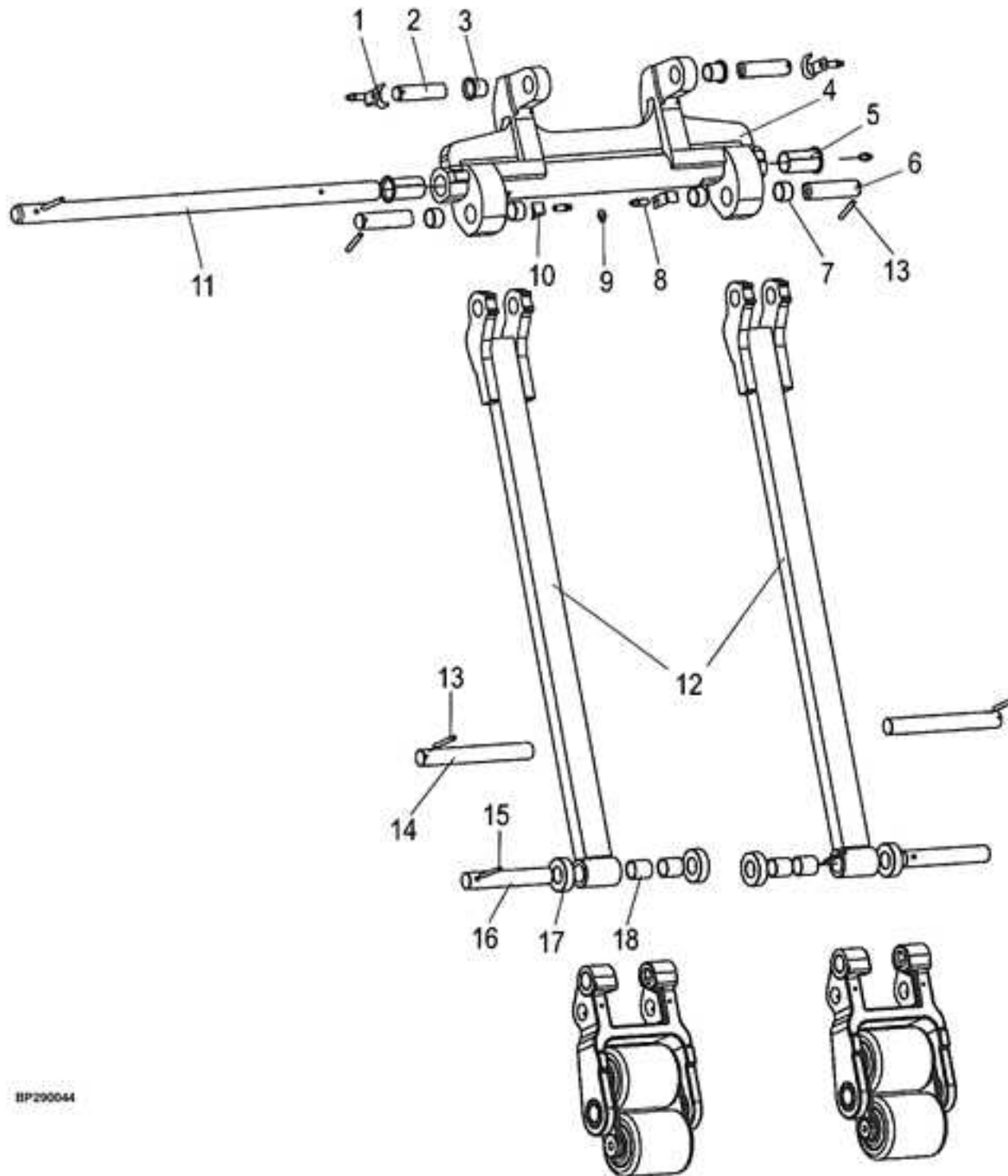


BP220136

Ref #	Part # Description / Notes	Qty Data Links	
1	580065295	• Qty: 1	
	Key		

	Motor Available for mechanical steering only		
2	580064640	• Qty: 1	
	Flange		
3	580064641	• Qty: 1	
	Armature		
4	015915100	• Qty: 3	
	Snap Ring		
5	580064694	• Qty: 1	
	Screw -Kit (4 pieces)		
6	449022018	• Qty: 4	
	Washer		
7	580064645	• Qty: 1	
	Brake Flange		
8	278130800	• Qty: 1	
	Connector (4 Way)		
9	580064643	• Qty: 1	
	Terminal Board		
10	449007043	• Qty: 2	
	Screw		
11	580064642	• Qty: 1	
	Housing		
12	519609804	• Qty: 6	
	Nut		
13	449022016	• Qty: 3	
	Lockwasher		
14	278131200	• Qty: 1	
	Connector (2 Way)		

C843 (MP20X) > FRAME/DRIVE UNIT Assembly > TIE RODS (L<1600mm) (S/N C843X02043D =>) Figure



BP290044

Ref #	Part # Description / Notes	Qty Data Links	
1	580065517	• Qty: 2	
	Clip		

	Pin W=560mm		
12	580019538	• Qty: 1	
	Pin W=650mm		
13	449034030	• Qty: 5	
	Roll Pin		
14	580059941	• Qty: 2	
	Rod End Battery 300Ah L=2350mm S		
14	580059942	• Qty: 2	
	Rod End Battery 400Ah L=2350mm S		
14	580063468	• Qty: 2	
	Rod End Battery 500Ah L=2350mm S		
14	580059943	• Qty: 2	
	Rod End Battery 300Ah L=2350mm L		
14	580059944	• Qty: 2	
	Rod End Battery 400Ah L=2350mm L		
14	580059945	• Qty: 2	
	Rod End Battery 500Ah L=2350mm L		
14	580059946	• Qty: 2	
	Rod End Battery 300Ah L=2350mm UK		
14	580059947	• Qty: 2	
	Rod End Battery 400Ah L=2350mm UK		
14	580059948	• Qty: 2	
	Rod End Battery 500Ah L=2350mm UK		

CLICK HERE TO **DOWNLOAD** THE COMPLETE MANUAL

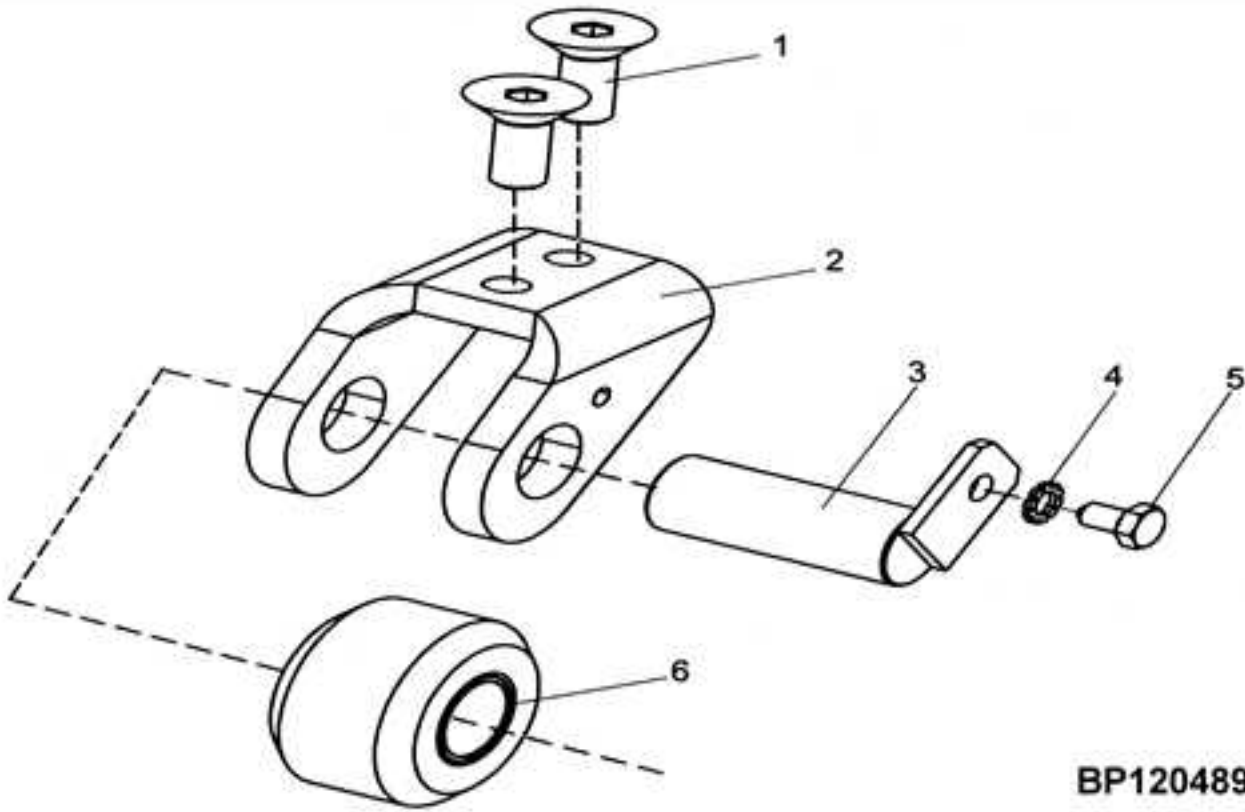
- Thank you very much for reading the preview of the manual.
- You can download the complete manual from: [www.heydownloads.com](http://www.heydownloads.com) by clicking the link below



- Please note: If there is no response to CLICKING the link, please download this PDF first and then click on it.

CLICK HERE TO **DOWNLOAD** THE COMPLETE MANUAL

C843 (MP20X) > FRAME/DRIVE UNIT Assembly > LEAD-IN ROLLERS Figure



BP120489

Ref #	Part # Description / Notes	Qty Data Links	
1	900010217	• Qty: 2	
	Capscrew		
2	273045900	• Qty: 1	
	Support		
3	273002600	• Qty: 1	
	Drive Axle		
4	940600907	• Qty: 1	
	Washer		
5	449001160	• Qty: 1	
	Capscrew		
6	273045600	• Qty: 1	
	Roller		

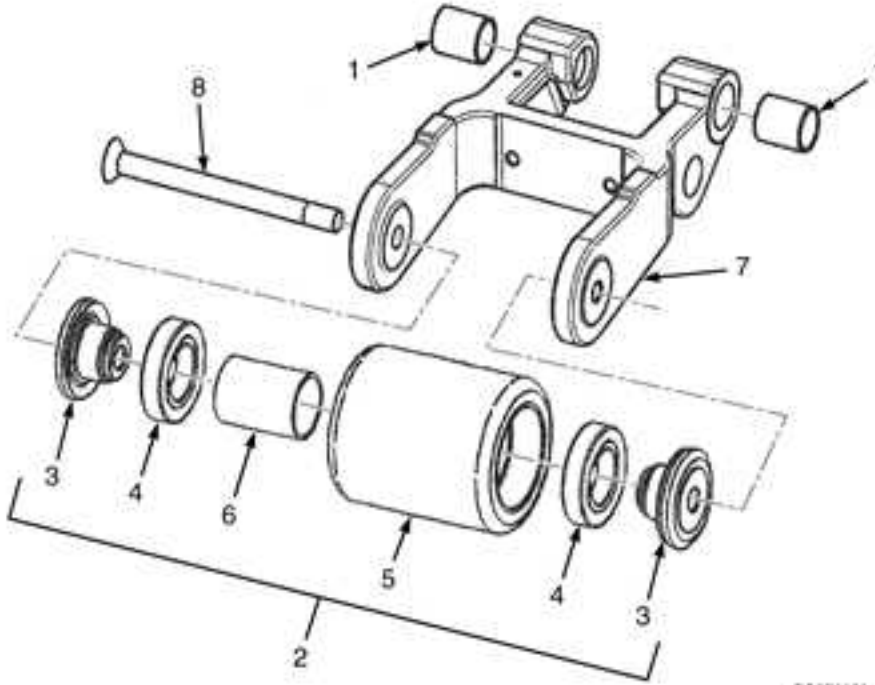
2	580061114	• Qty: 2	
	Dowel		
3	501802902	• Qty: 2	
	O-Ring	Bulletins	
4	580073754	• Qty: 4	
	Bushing	Bulletins	
5	580061115	• Qty: 1	
	Guard		
6	518791613	• Qty: 8	
	Capscrew		
7	580057732	• Qty: 4	
	Shim		
8	580040811	• Qty: 4	
	Plate		
9	580058771	• Qty: 1	
	Support (RH)		
10	580058549	• Qty: 2	
	Gas Spring	MSDS	
11	580058745	• Qty: 1	
	Support (LH)		
12	932730905	• Qty: 6	
	Capscrew		

2	272501700	• Qty: 1	
	Ignition Key		
3	580058678	• Qty: 1	
	MDI		
4	580058399	• Qty: 1	
	Harness		
5	580017058	• Qty: 1	
	Sensor		
6	580054989	• Qty: 1	
	Wire Harness		

16	580063549	• Qty: 2	
	Pin		
17	580004592	• Qty: 4	
	Nut		
18	580065064	• Qty: 1	
	Support		
19	053293800	• Qty: 1	
	Snap Ring		
20	580047636	• Qty: 2	
	Ball Bearing		
21	580040811	• Qty: 2	
	Plate		
22	932200902	• Qty: 6	
	Capscrew		
23	580065076	• Qty: 1	
	Support		
24	580060907	• Qty: 8	
	Capscrew		
25	580046203	• Qty: 1	
	Bumper		
26	580069255	• Qty: 1	
	Knob		
27	272330200	• Qty: 1	
	Support		
28	580008011	• Qty: 2	
	Capscrew		
29	449007010	• Qty: 2	
	Screw		

	Bearing		
33	580039741	• Qty: 100	
	Shim (0,90 mm)		
33	580039742	• Qty: 100	
	Shim (0,950 mm)		
33	580039743	• Qty: 100	
	Shim (1,00 mm)		
33	580039744	• Qty: 100	
	Shim (1,05 mm)		
33	580039745	• Qty: 100	
	Shim (1,10 mm)		
33	580039746	• Qty: 100	
	Shim (1,20 mm)		
33	580039747	• Qty: 100	
	Shim (1,22 mm)		
33	580039748	• Qty: 100	
	Shim (1,24 mm)		
33	580039749	• Qty: 100	
	Shim (1,26 mm)		
33	580039750	• Qty: 100	
	Shim (1,28 mm)		
33	580039751	• Qty: 100	
	Shim (1,30 mm)		
34	580039752	• Qty: 1	
	Spacer		
35	580025303	• Qty: 1	
	Plug		
36	580025305	• Qty: 1	
	Gasket		

C843 (MP20X) > OPTIONS Assembly > LOAD WHEELS (SINGLE) Figure



BP270029

Ref #	Part # Description / Notes	Qty Data Links	
1	273011400	• Qty: 4	
	Bushing		
2	580064668	• Qty: 2	
	Load Wheel		
3	580064749	• Qty: 2	
	Bushing		
4	950433907	• Qty: 2	
	Bearing Ball		
5	580059474	• Qty: 1	
	Load Wheel		
6	580064754	• Qty: 1	
	Spacer		
7	580059454	• Qty: 2	
	Lever		

2	580055266	• Qty: 1	
	Support		
3	580060793	• Qty: 2	
	Cushion		
4	580060907	• Qty: 2	
	Capscrew		
5	580013314	• Qty: 4	
	Screw		
6	900014293	• Qty: 2	
	Capscrew		
7	518791613	• Qty: 4	
	Capscrew		
8	449015044	• Qty: 4	
	Nut		
9	449015135	• Qty: 4	
	Nut		
10	449015036	• Qty: 2	
	Locknut		
11	580049745	• Qty: 2	
	Spring		
12	272347600	• Qty: 1	
	Plate		
13	580055264	• Qty: 1	
	Support		
14	580060908	• Qty: 4	
	Spring		
15	580055265	• Qty: 4	
	Compression Spring		

CLICK HERE TO **DOWNLOAD** THE COMPLETE MANUAL

- Thank you very much for reading the preview of the manual.
- You can download the complete manual from: [www.heydownloads.com](http://www.heydownloads.com) by clicking the link below



- Please note: If there is no response to CLICKING the link, please download this PDF first and then click on it.

CLICK HERE TO **DOWNLOAD** THE COMPLETE MANUAL