

# **XR7038 Parts Manual**

CLICK HERE TO **DOWNLOAD** THE COMPLETE MANUAL

- Thank you very much for reading the preview of the manual.
- You can download the complete manual from: [www.heydownloads.com](http://www.heydownloads.com) by clicking the link below



- Please note: If there is no response to CLICKING the link, please download this PDF first and then click on it.

CLICK HERE TO **DOWNLOAD** THE COMPLETE MANUAL

Item	Part No.	Name	Qty	Uom
1	32729-000	WELDMENT, FUEL TANK	1	EA
2	13506-000	CAP 3" FILLER VENTED NON-LOCKING	1	EA
3	12852-000	FUEL LEVEL SENDER	1	EA
4	12355-000	SHOCK MOUNT 1-3/8 DIA.	10	EA
5	29729-044	KIT, FTG 7038 FUEL TANK	1	EA
5.1	11568-003	Plug 3/8" NPT hex SOC pipe	3	EA
5.2	11564-015	FITTING ELBOW 90 3/4 NPT X 5/8 BARB	1	EA
5.3	11564-014	FITTING ELBOW 90 3/4 NPT X 1/2 BARB	1	EA
REF	25096-000	FUEL SENDER WIRE HARNESS	1	EA

1. USE (4) HHCS .313-18 F GR8 C .500 TO MOUNT SOLARGIZER INTO (4) TAP BLOCKS ON TOP OF BOOM (SEE PIC)



4. ATTACH THE SOLARGIZER CONTROL BOX WITH INDUSTRIAL ADHESIVE TO A FLAT SURFACE. (SEE PIC. SURFACE AND ADHESIVE YET TO BE DETERMINED)



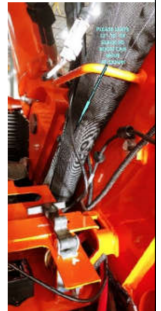
2. ADD (1) 5/16 X .500" P CLAMP USING THE EXISTING 5/16" BOLT ON THE RIGHT SIDE OF THE BOOM. MAKE SURE TO KEEP THE SLACK OUT OF THE WIRES ON THE BACK OF THE BOOM. (SEE PIC).



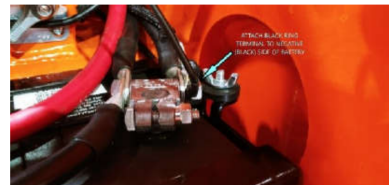
5. ATTACH RED RING TERMINAL END TO POSITIVE (RED) SIDE OF BATTERY (A) USING EXISTING BATTERY TERMINAL. (SEE PIC)



3. FEED THE WIRES THROUGH THE SQUARE "RING" (FOLLOWING THE HYDROLIC HOSES) AND DOWN TO THE BATTERIES. AFTER FEEDING THE WIRES THROUGH THE SQUARE "RING", MAKE SURE TO LEAVE 12" - 18" OF SLACKOUT TO ALLOW THE BOOM TO RAISE AND LOWER W/O BREAKING THE SOLARGIZER WIRES (SEE PIC)



6. ATTACH BLACK RING TERMINAL TO NEGATIVE (BLACK) SIDE OF BATTERY (B) USING THE EXISTING BATTERY TERMINAL. (THE SOLARGIZER RUNS POWER IN PARRELEL)



7. ATTACH RED PLUG WIRE FROM SOLARGIZER ON TOP OF THE BOOM TO THE RED PLUG WIRE FROM THE BATTERY TERMINAL. (SEE PIC)



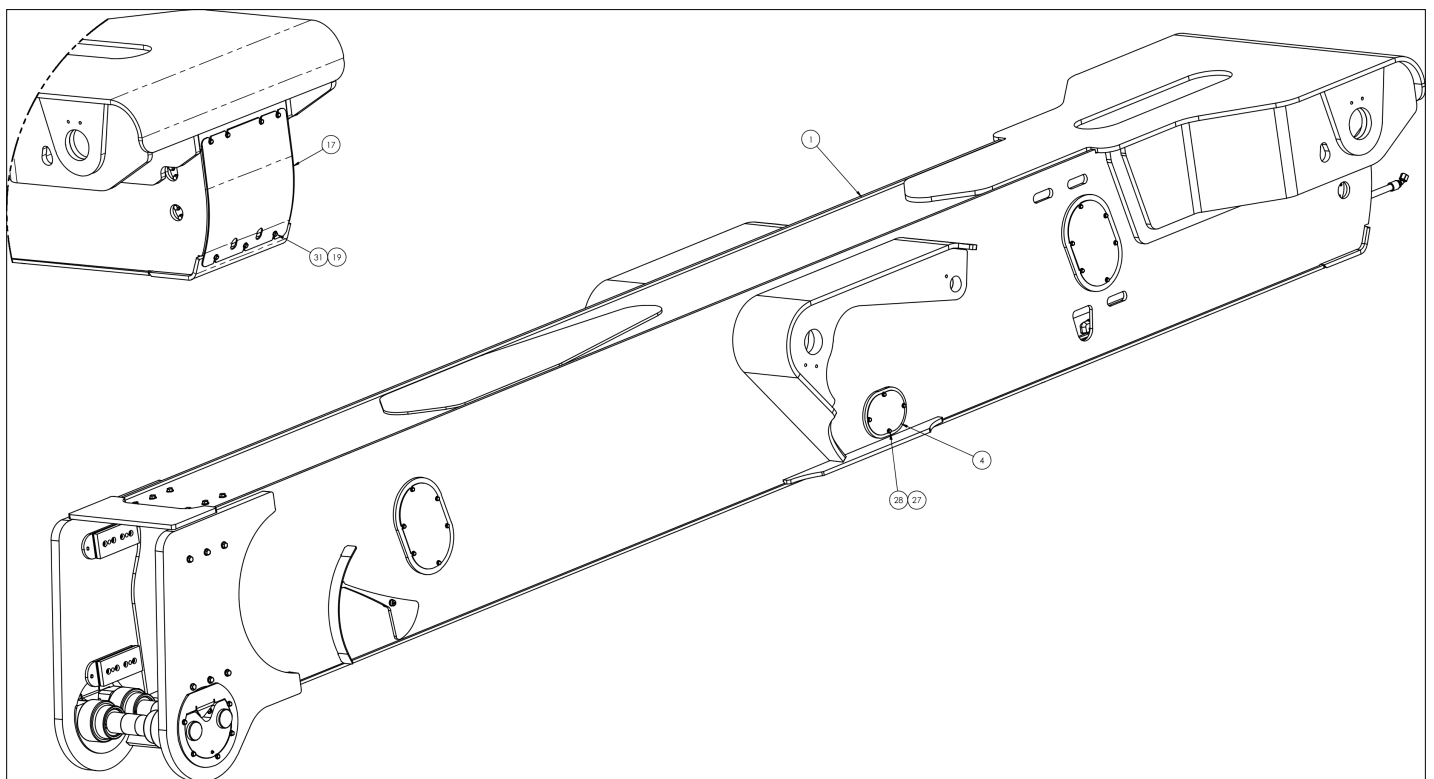
8. ATTACH BLACK PLUG WIRE FROM SOLARGIZER ON TOP OF THE BOOM TO THE BLACK PLUG WIRE FROM THE BATTERY TERMINAL. (SEE PIC)



9. USE A ZIP TIE TO ATTACH THE LEFTOVER WIRE TO A BATTERY CABLE (SEE PIC)



BOOM

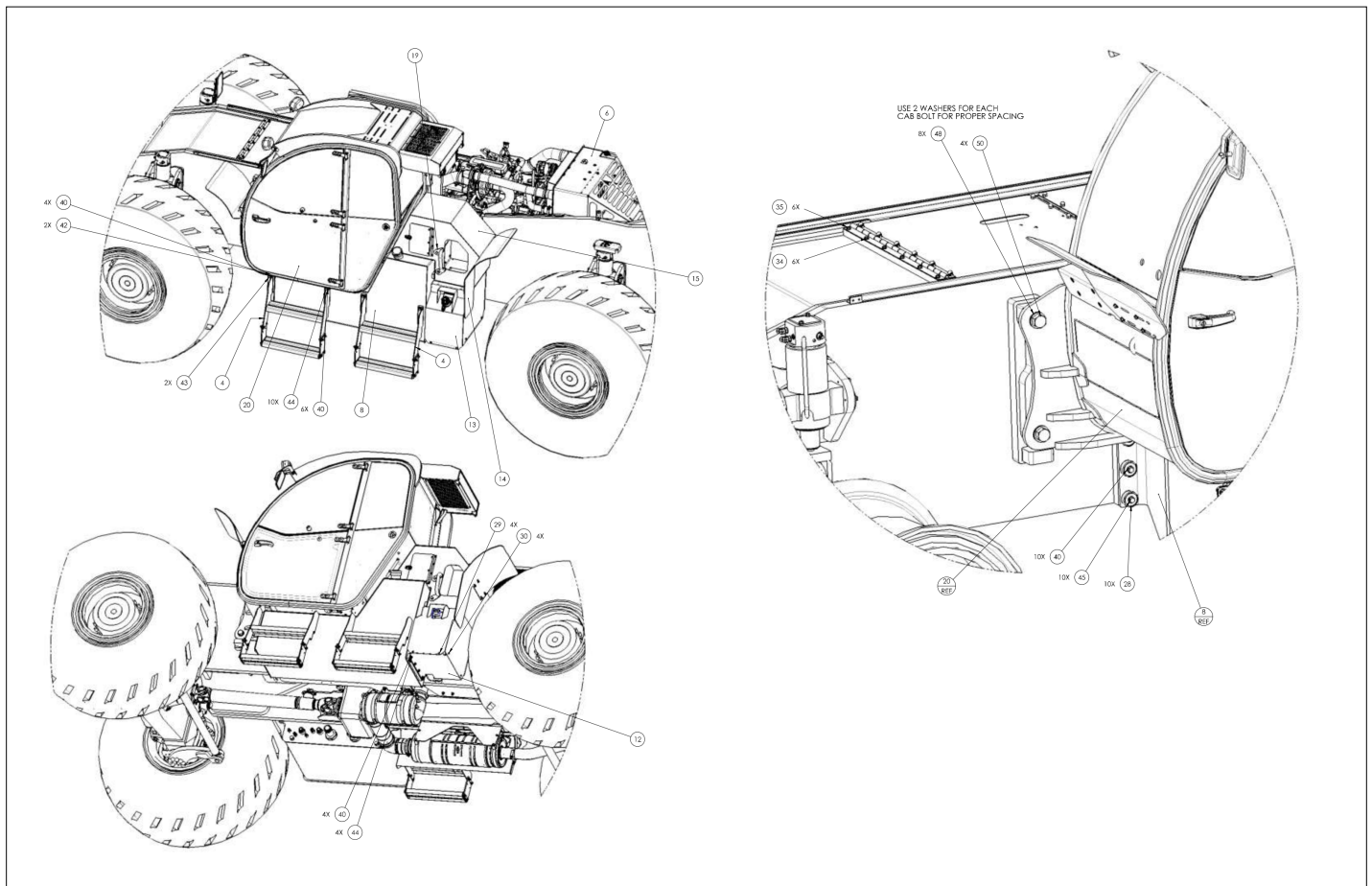


Item	Part No.	Name	Qty	Uom
-	26951-000	ROLLER ASSY		EA
1	26915-000	ROLLER	1	EA
2	26916-000	BEARING RETAINER	1	EA
3	26917-000	BEARING RETAINER	1	EA
4	13809-000	BEARING OUTER CAGEROLL MR56RSS	1	EA
5	13810-000	BEARING INNER RACE MI-48	1	EA
6	11400-450	RETAINING RING 4-1/2 DIA INT	2	EA
7	13760-003	WASHER THRST 3.00 X3.75 X.125	7	EA

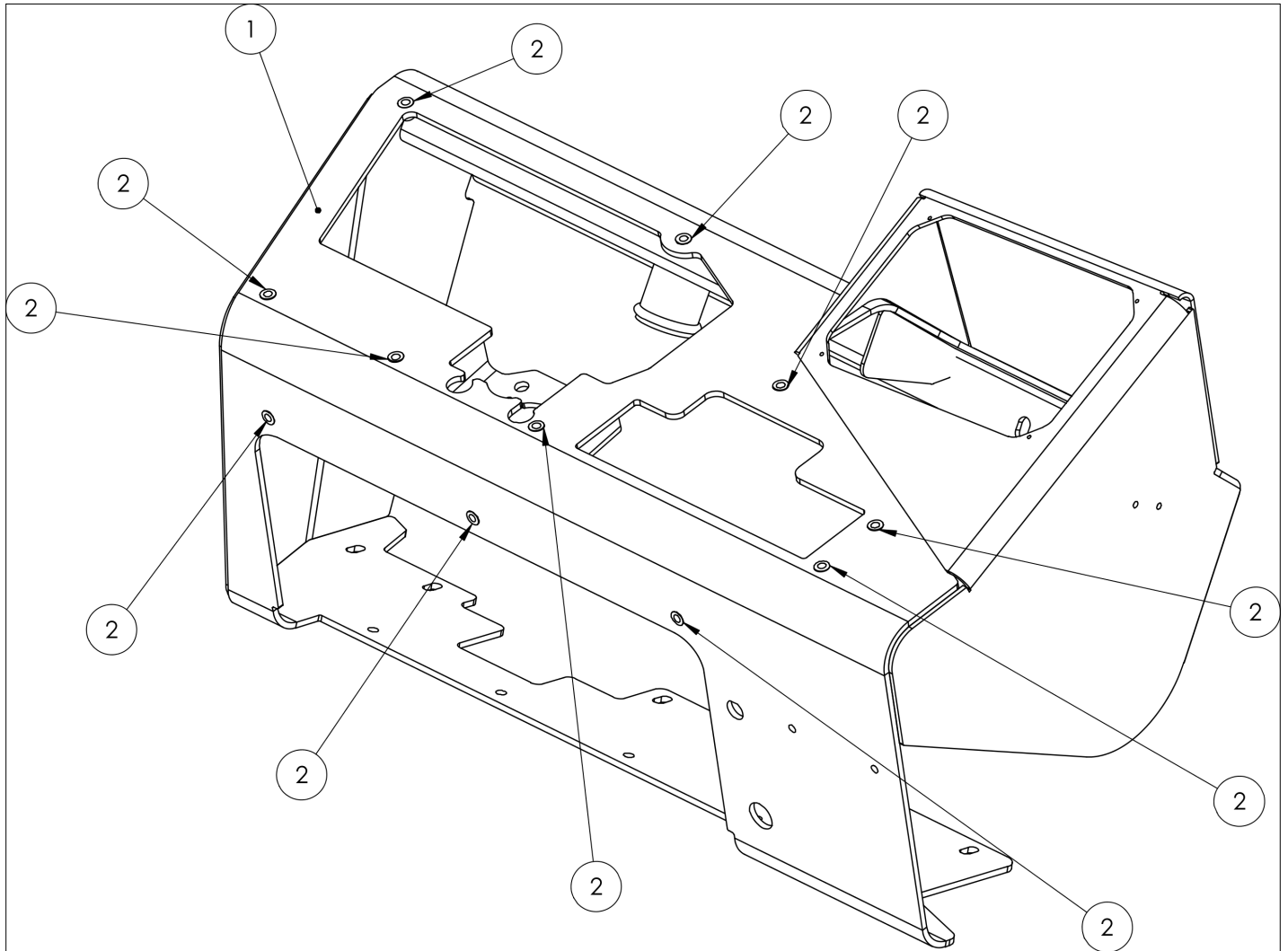
Item	Part No.	Name	Qty	Uom
1	11356-000	STIRRUP-TUBE CLAMP #2	1	EA
2	11355-002	BODY-TUBE CLAMP #2 X 3/4	1	EA
3	11354-000	SLEEVE-TUBE CLAMP	1	EA
4	11357-000	SCREW #6x25 HEX HEAD	1	EA

Item	Part No.	Name	Qty	Uom
37	12056-003	REDUCER HOSE 2x1-1/2 DNLDSN	2	EA
38	32694-000	TUBE- EXHAUST EJECTOR BLK	7	EA
39	11369-006	CLAMP 1.25-2.13 C-TORQ CT200	9	EA
40	11369-004	CLAMP 3.75-4.63 C-TORQ P532928	2	EA
41	27121-000	ISOLAROR RETAINER PLATE	2	EA
42	12330-999	EXHAUST WRAP 4in 325400	1	EA
43	12331-001	TIE-WRAP 3/16x14 SS METAL	3	EA
44	12331-002	TIE-WRAP 3/16x20 SS METAL	1	EA
45	14421-000	CLAMP EXHST 4.0 BK7335752	3	EA
46	12072-001	HOSE INTK 1.5 DIA X 144	2	EA
47	32169-000	HOSE 2.25 ID INTAKE X 3.0 LG	1	EA
48	11350-008	CLAMP "P" 1/2 DIA LOOP 8876T41	1	EA
49	14647-000	DRIVE SHAFT 6538 REAR 136292	1	EA
50	14646-000	DRIVE SHAFT 6538 FRNT 136293	1	EA
51	12319-022-50	TRIM SEAL .04-.12 X .31 BULB X 22.50"	1	EA
52	12052-014	ELBOW 90 AIR INT ENGN AIR x1.75	1	EA
53	32735-000	DEF DOSER MOD BRKT GRY	1	EA
54	32684-000	BRKT- TAILPIPE           ORG	1	EA
55	32911-000	AIR DEFLECTOR BRKT       BLK	1	EA
56	12052-003	ELBOW 90 AIR/COOLANT x1.50	4	EA
57	FLW025008CZ	WASHER FLAT .250 GR8 C	14	EA
58	HH0420F08CZ008	HHCS .250-20 F GR8 C .500	8	EA
59	NL042008CZ	NUT HEX NL .250-20 GR8 C	3	EA
61	FLW050008CZ	WASHER FLAT .500 GR8 C	14	EA
62	HH0813P08CZ044	HHCS .500-13 P GR8 C 2.750	2	EA

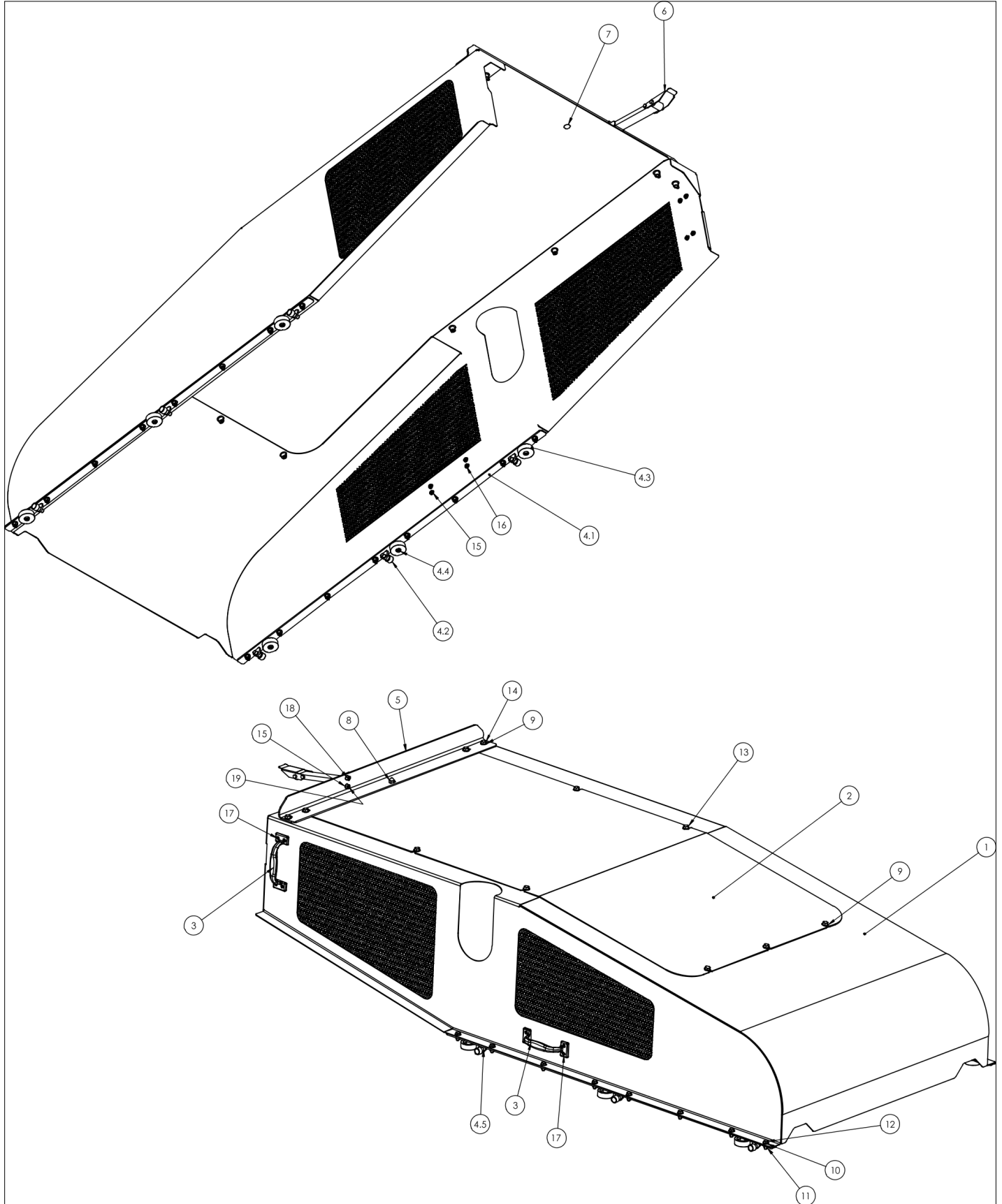
Item	Part No.	Name	Qty	Uom
1	32826-000	WELDMENT, FLEX PIPE	1	EA
2	32825-000	PIPE, EXHAUST DOC	1	EA
3	11373-005	CLAMP, V-BAND 4IN	1	EA
4	11373-007	CLAMP, V-BAND 5 IN	1	EA



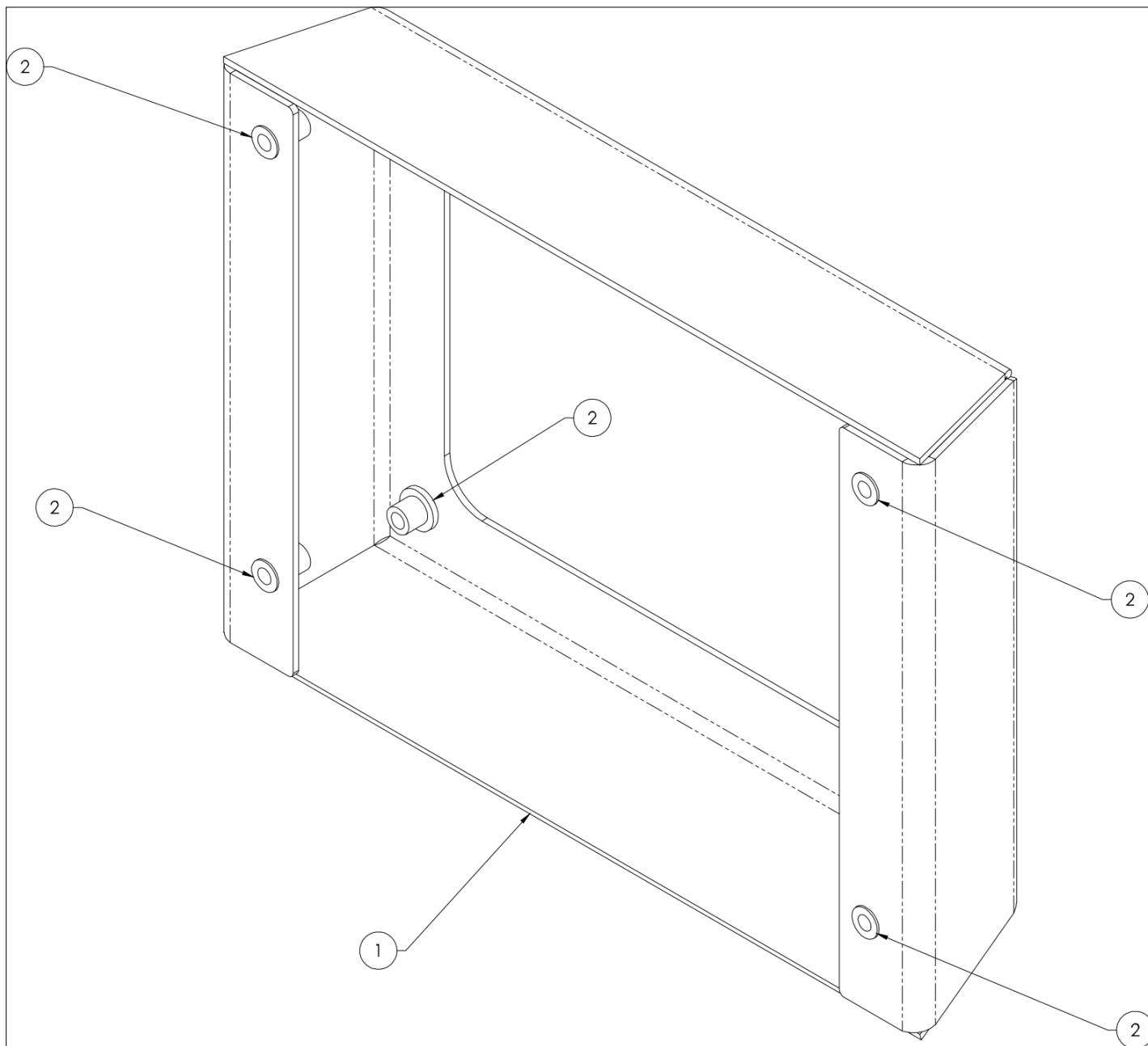
CABIN AND COVERS



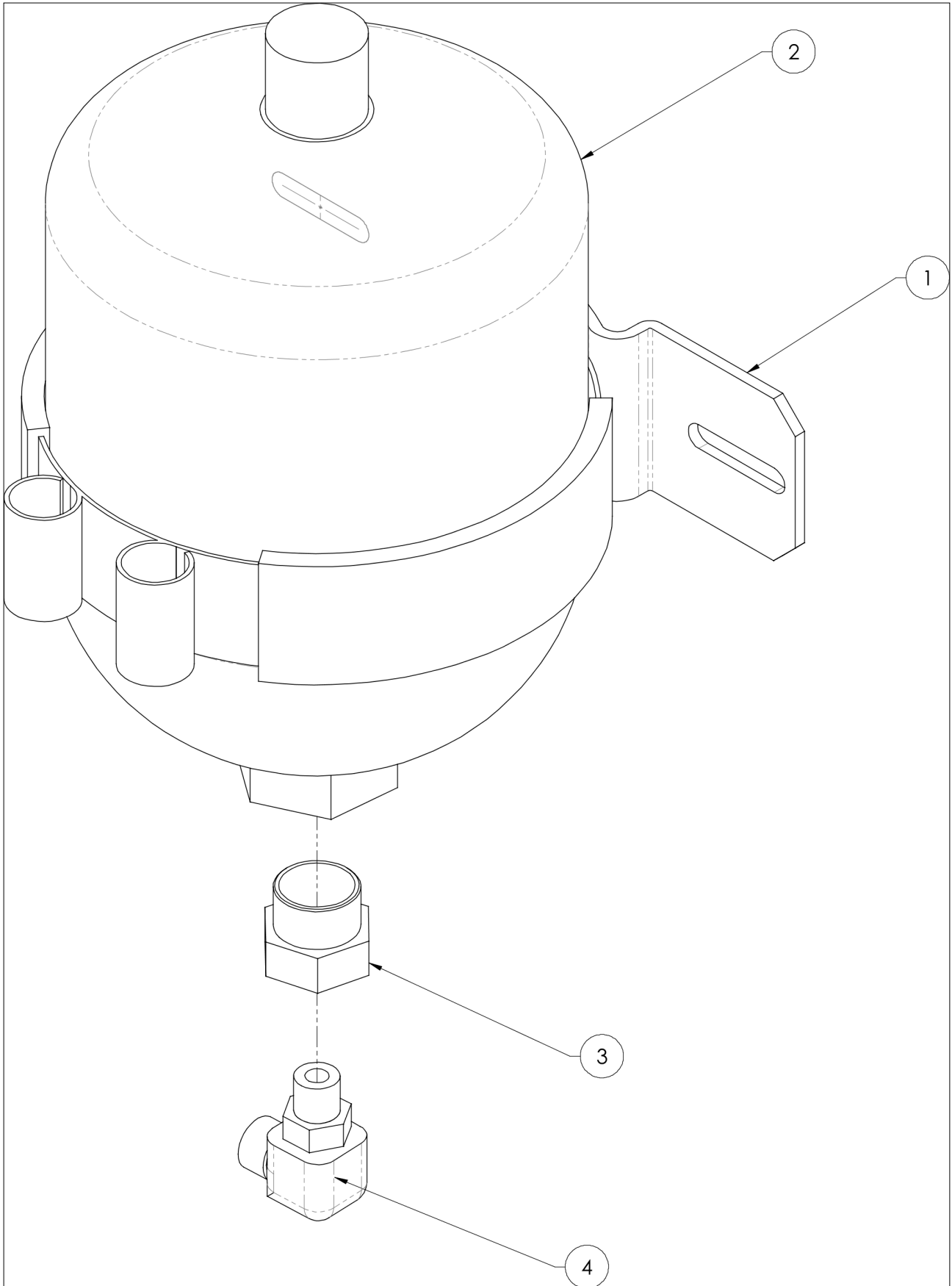
CABIN AND COVERS



CABIN AND COVERS



HYDRAULIC SYSTEM



Item	Part No.	Name	Qty	Uom
1	32523-000	HYD TANK ASSEMBLY PURCHASED	1	EA
2	12355-000	SHOCK MOUNT 1-3/8 DIA.	10	EA
3	32657-000	KIT, FTG HYD TANK	1	EA
3.1	11698-008	PLUG EXT HEX HD -12MB	2	EA
3.2	11700-030	FITTING STR -20MB-20MFS	2	EA
3.3	11700-018	FITTING STR -08MB-10MFS	1	EA
3.4	11700-010	FITTING STRAIGHT 06MFS- 08MB	1	EA
3.5	11700-023	FITTING STR -12MB-12MFS	1	EA
3.6	11558-014	NIPPLE 2 NPT PIPE X 3-1/2 LG	1	EA
3.7	11560-009	FTG 45 DEG ELBOW 2" FNPT	1	EA
3.8	11567-006	FTG HOSE BARB 2NPT 2" HOSE	1	EA
3.9	11577-006	FTG HOSE BARB 2NPT 2" HOSE LG	1	EA
4	12856-000	TEMPERATURE SWITCH	1	EA

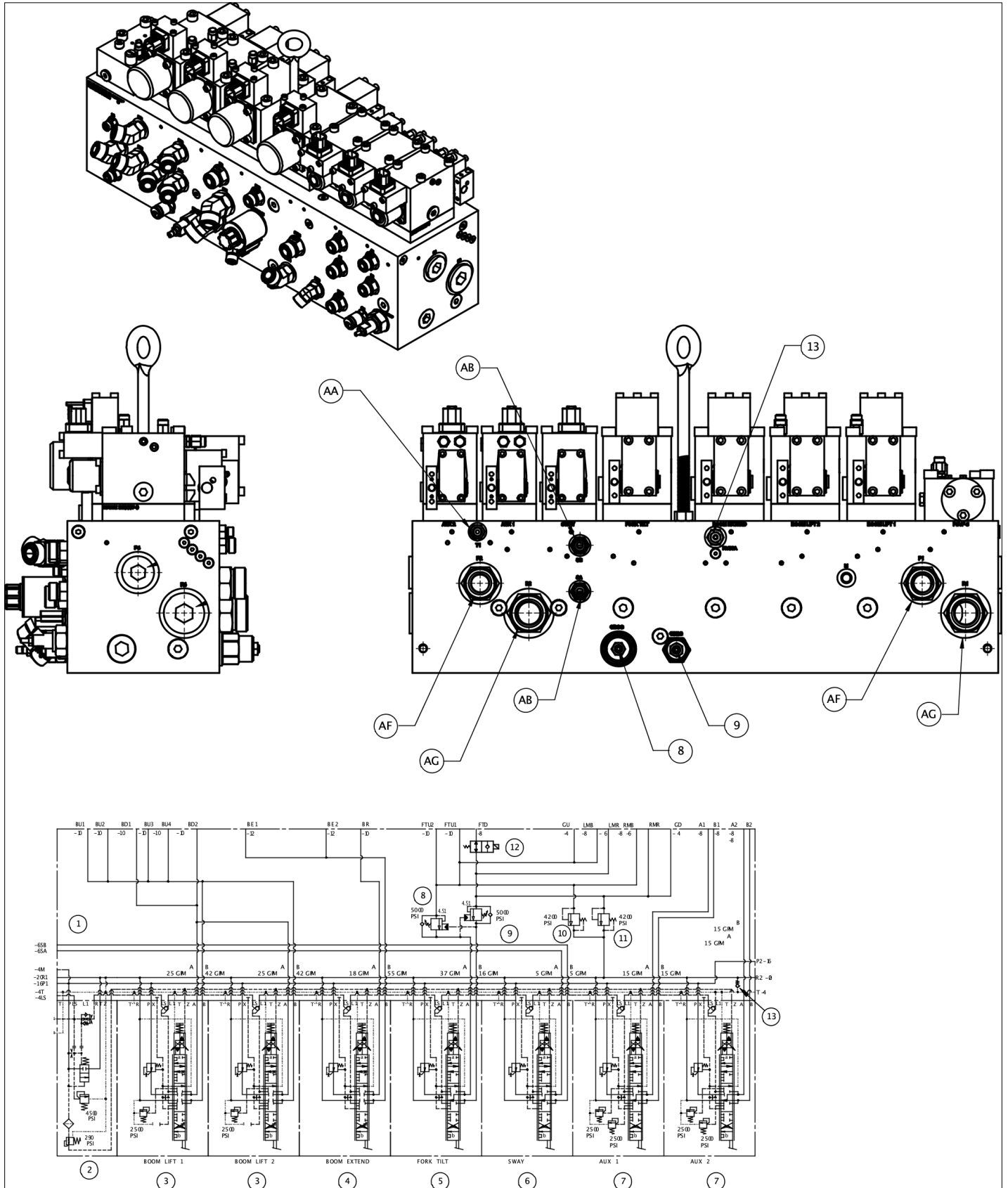
CLICK HERE TO **DOWNLOAD** THE COMPLETE MANUAL

- Thank you very much for reading the preview of the manual.
- You can download the complete manual from: [www.heydownloads.com](http://www.heydownloads.com) by clicking the link below

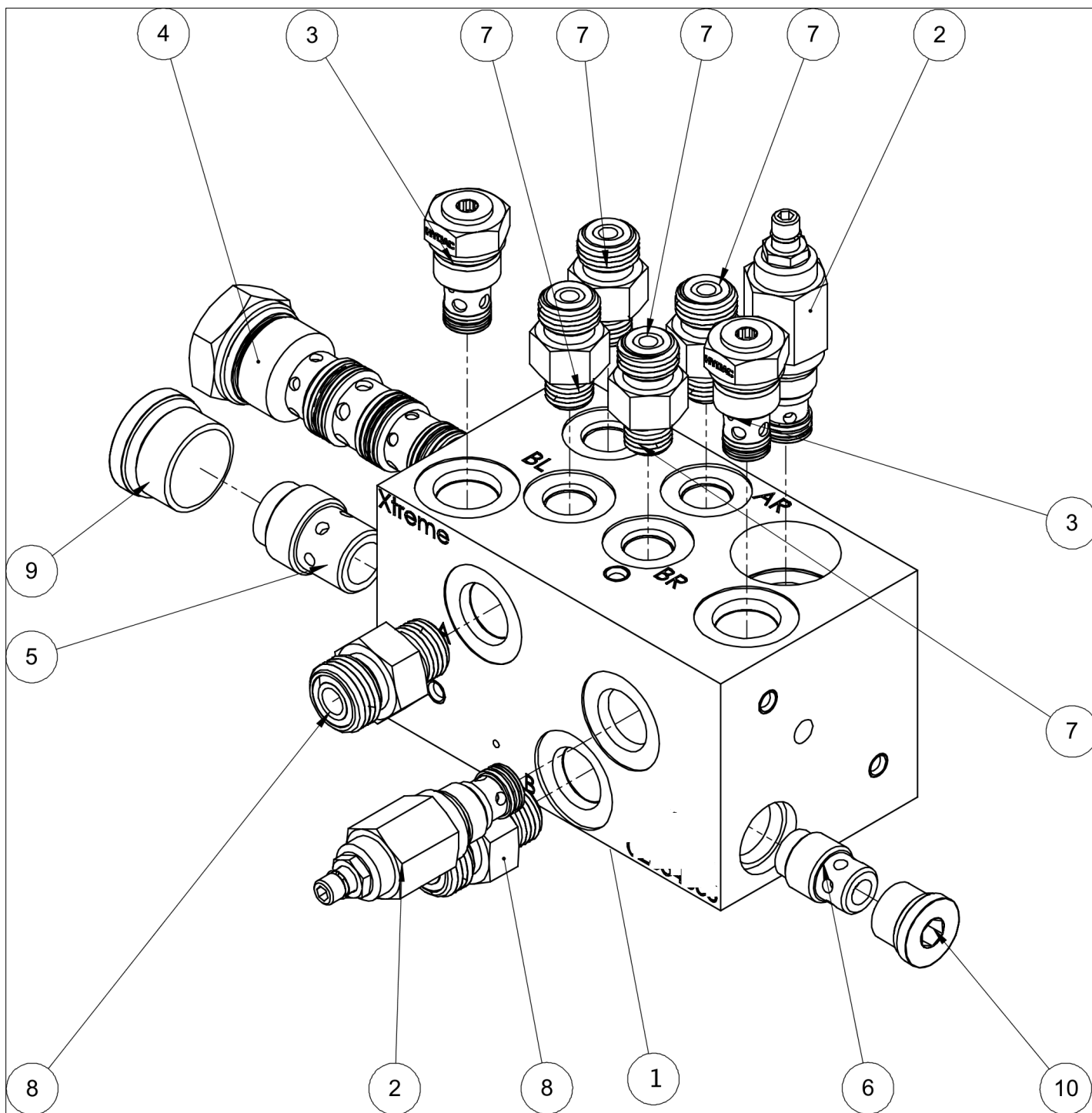


- Please note: If there is no response to CLICKING the link, please download this PDF first and then click on it.

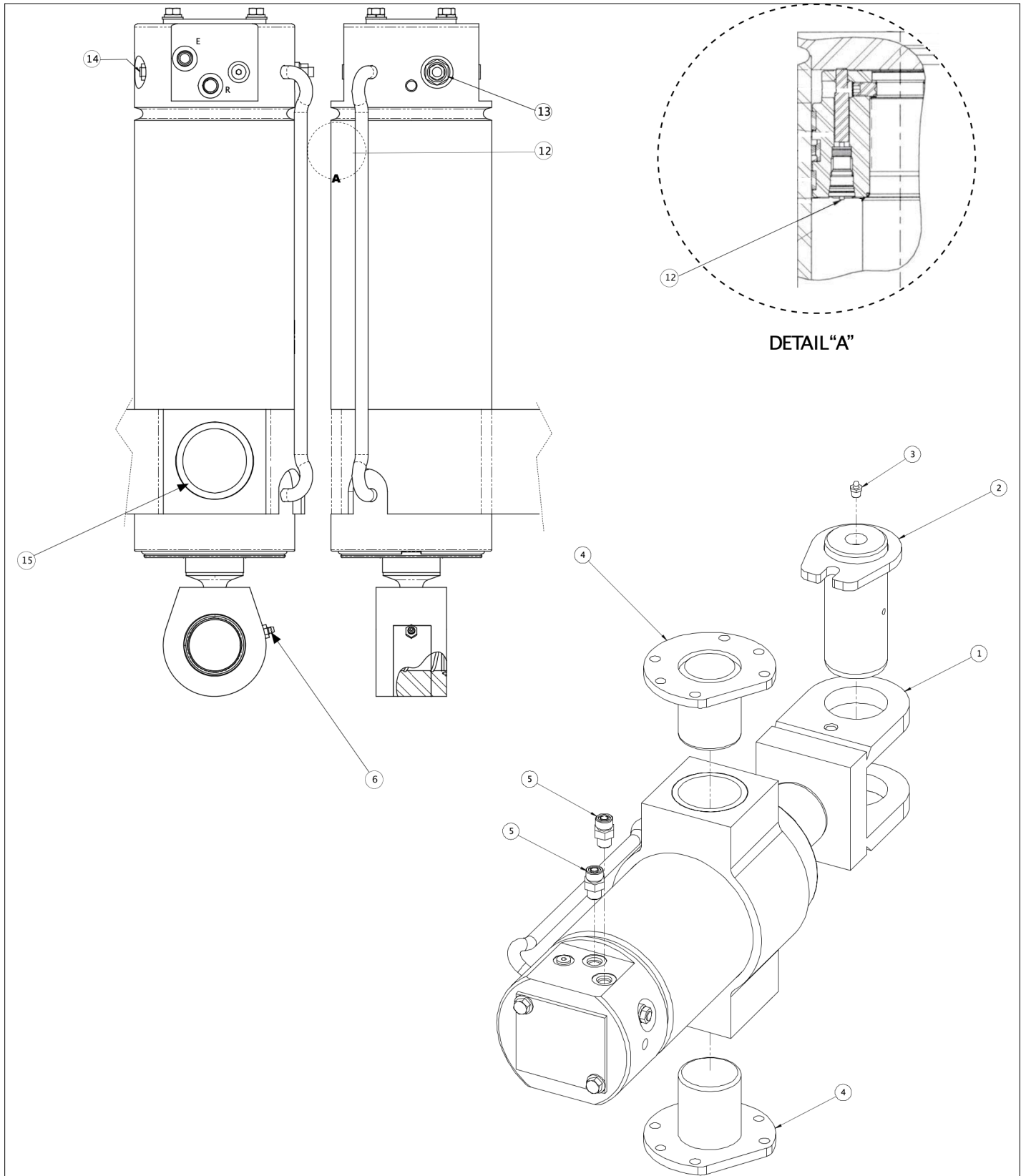
CLICK HERE TO **DOWNLOAD** THE COMPLETE MANUAL



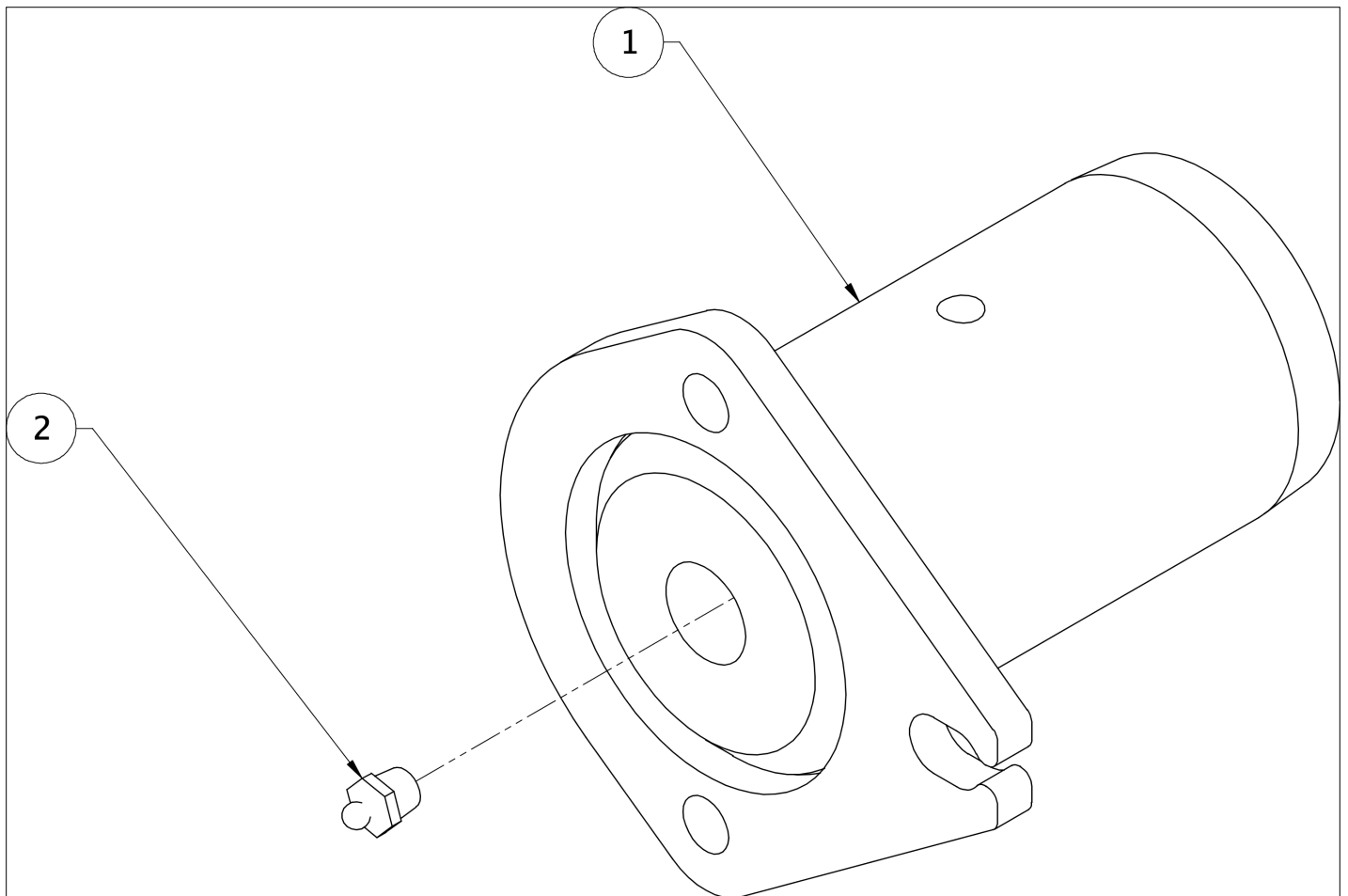
HYDRAULIC SYSTEM



HYDRAULIC SYSTEM

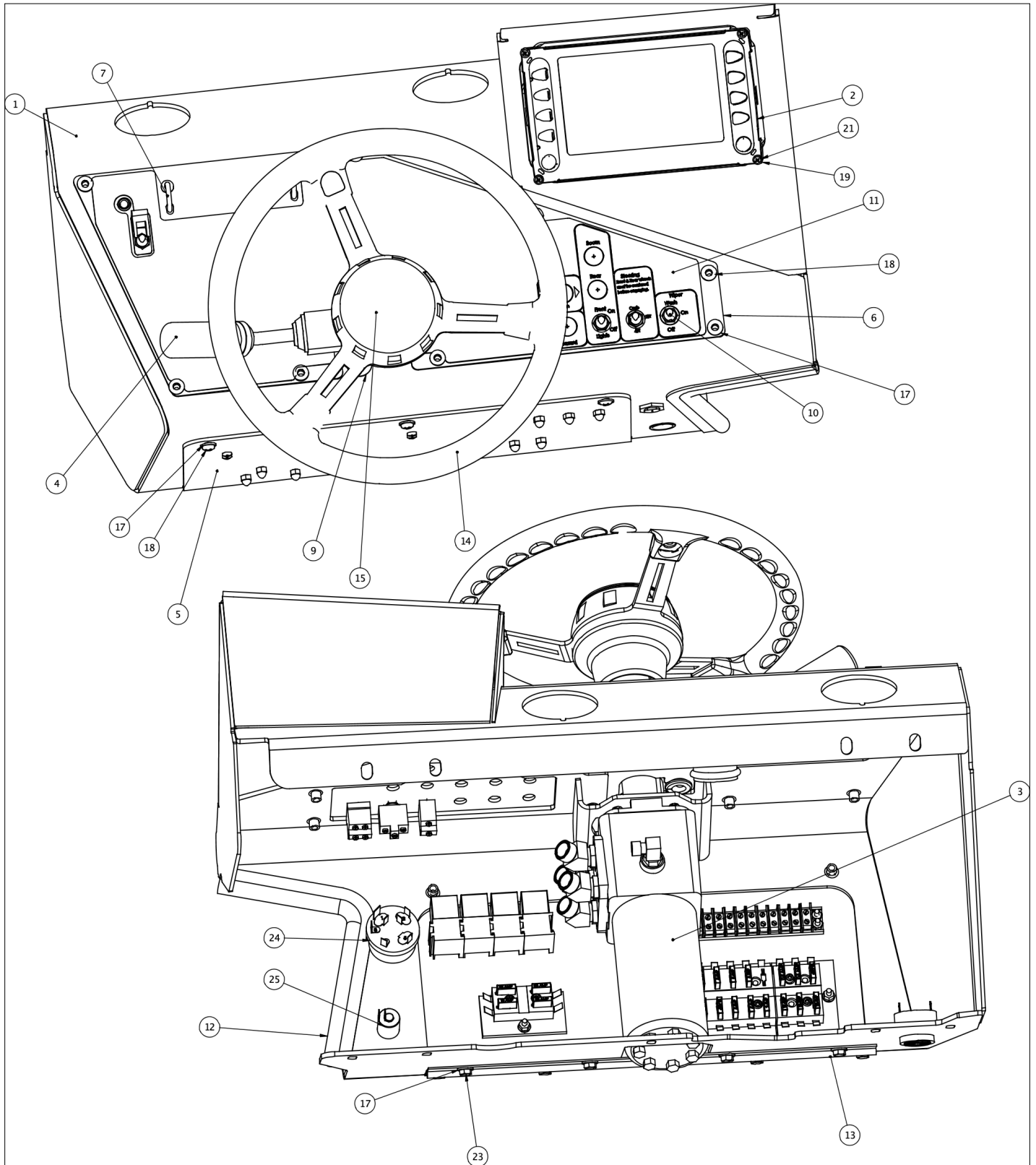


HYDRAULIC SYSTEM

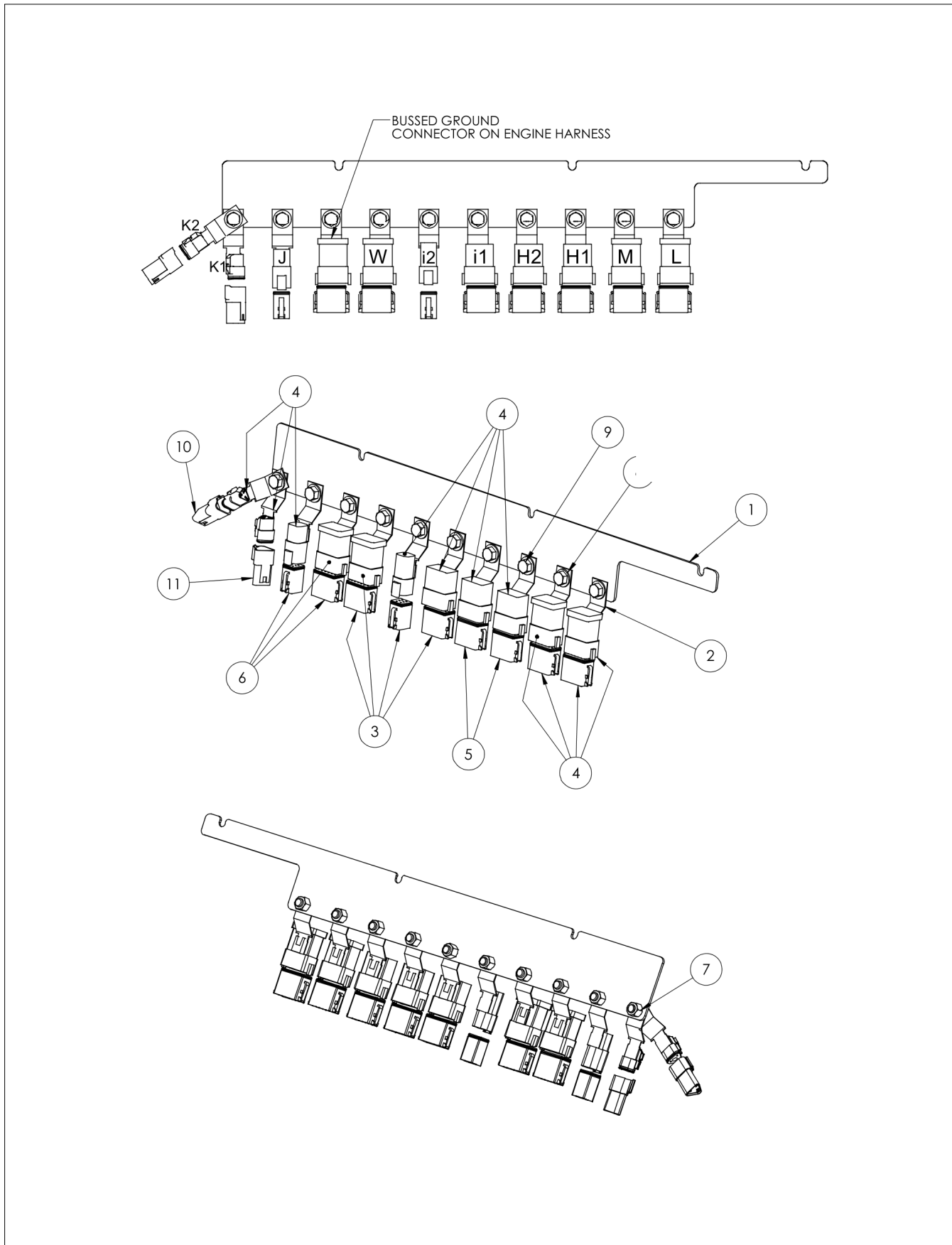


Item	Part No.	Name	Qty	Uom
65	12018108	Main Control Valve BE2 to LH 12 boom BULKHEAD 90	1	EA
66	12018120	Main Control Valve BE1 to RH 12 boom BULKHEAD 90	1	EA
67	12021027	Pump 2 H.P filter 2	1	EA
68	12021058	Pump 1 H.P filter 1	1	EA
69	12021189	Brake Priority Valve EF Main Control Valve P1	1	EA
70	12023017	Steer Priority Valve EF to Dist Manifold P1	1	EA
71	12023166	Main Control Valve P2 TO P2 ON DIST MANIFOLD	1	EA
72	12046055	RETURN FROM FILTER TO TRANSMISSION	1	EA
73	12046069	Trans line, BOTTOM	1	EA
74	16115079	FROM TRANSMISSION TO FILTER	1	EA
75	16115080	Trans line, TOP	1	EA
76	16111034	Dist Manifold T1 Tank	1	EA
77	16116181	Main Control Valve R1 Dist Manifold T6	1	EA
78	16117074	Return Filter to Tank	1	EA
79	16117155	Main Control Valve R2 Return Filter	1	EA
80	12090999	Suction, Pump 1	3 FT	EA
81	12090999	Suction, Pump 1	4 FT	EA
82	12007038	REAR SwayTEE's to Sway Cylinders ALS	2	EA

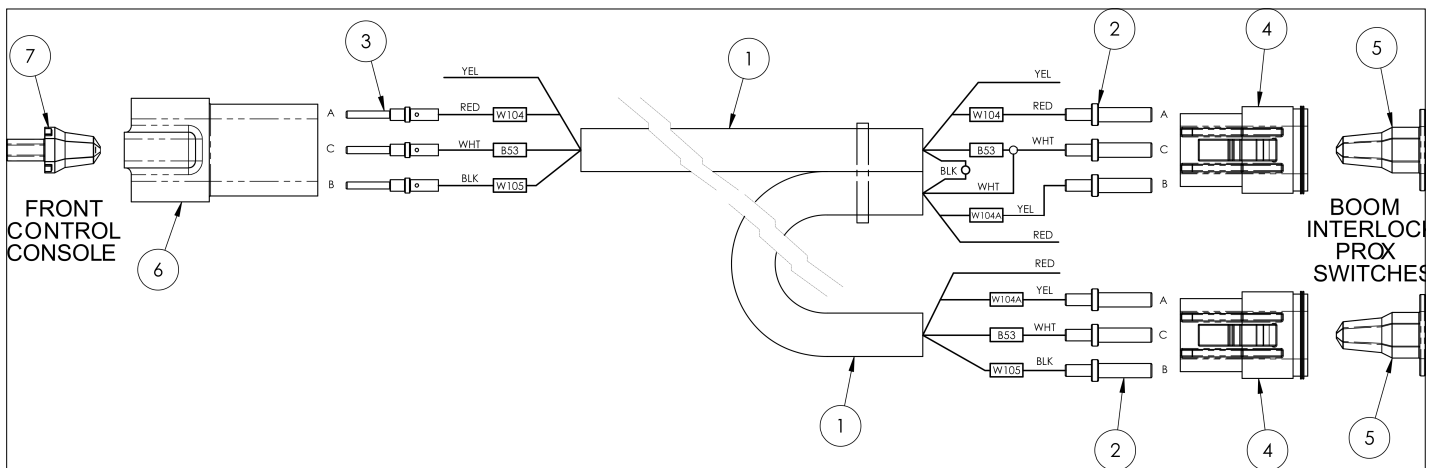
ELECTRICAL SYSTEM



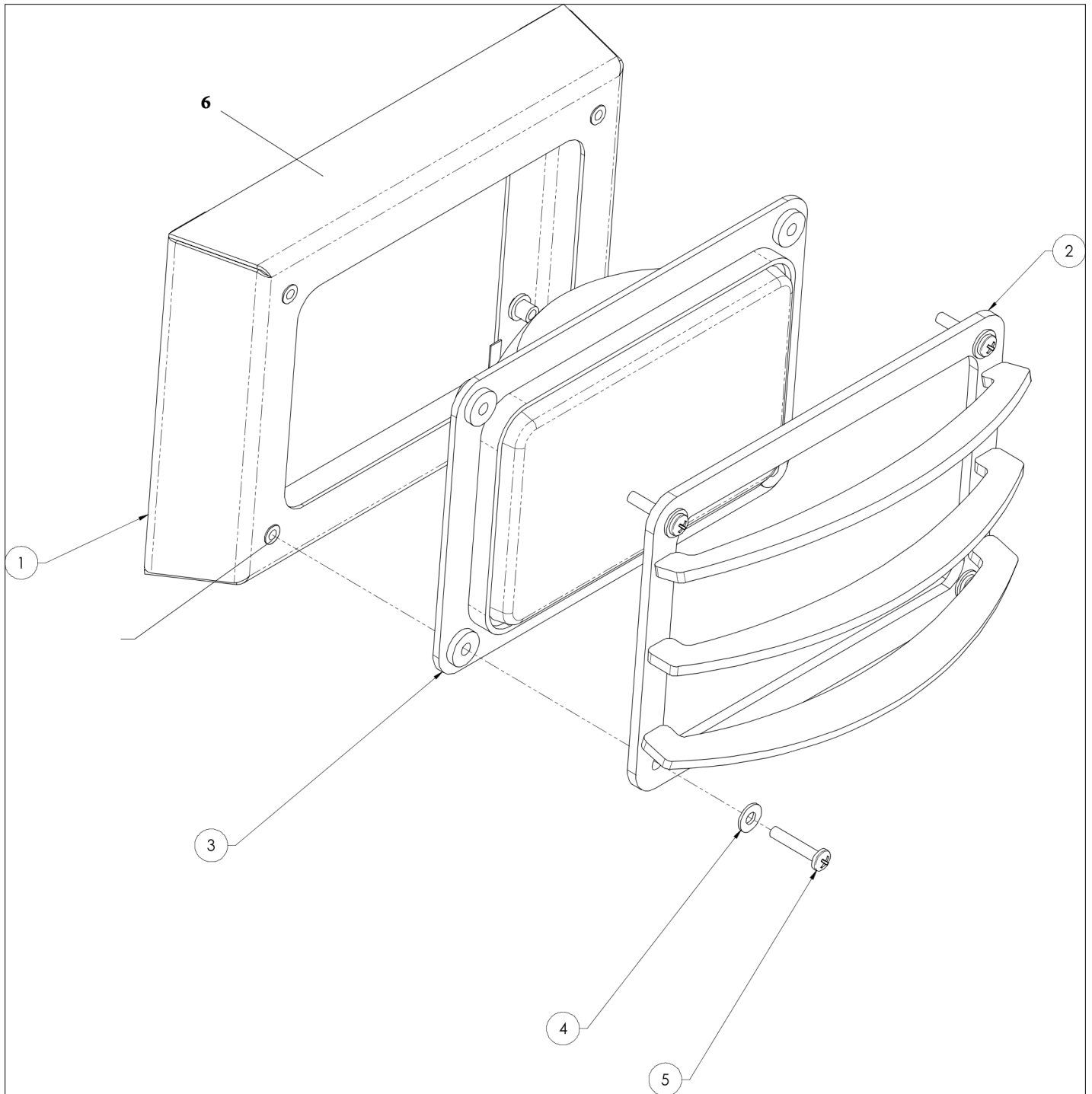
ELECTRICAL SYSTEM



ELECTRICAL SYSTEM



ELECTRICAL SYSTEM

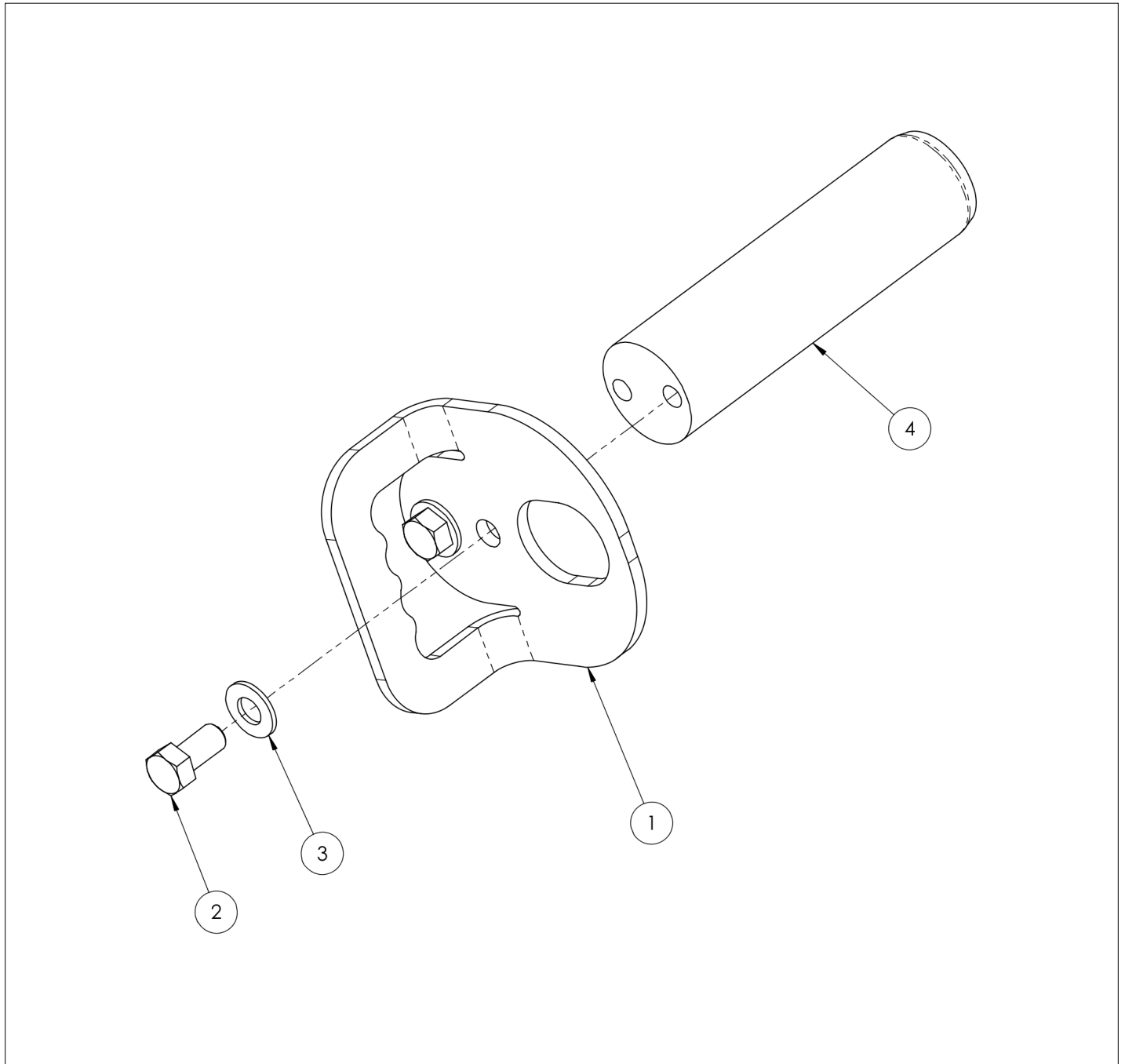


Item	Part No.	Name	Qty	Uom
26	27448-002	BRAKE CHGE VLV ASSY R/B - 003	1	EA
27	27448-003	CHARGE VALVE 14-05053-US	1	EA
28	27926-002	HP FILTER/STRNG VLV ASSY-2900*	1	EA
29	32245-000	FILTER BRACKET SUB-ASY	1	EA
30	32881-000	ROPS MOUNT SUB-WELD GRY	1	EA
31	27924-005	DISTRIBUTION MANIFOLD ASY 7038	1	EA
32	32787-000	BRACKET VALVE MOUNT BLK	2	EA
33	32650-100	MAIN CONTROL, MANIFOLD	1	EA
34	14700-000	TIRE/WHEEL ASSY 29.5R29 E3 AF	4	EA
35	34662-000	CVR, FUSEBLOCK	1	EA
36	34664-000	LANYARD, STL	1	EA
37	0600012-000	PLATE, SECONDARY AXLE PIN CAP	2	EA
38	SB1024FF8CZ012	SBHCS 10-24 F F835 C .750	2	EA
39	FLW0010STCZ	WASHER FLAT #10 STL C	4	EA
40	10900-003	NUT 10-24UNC REG HEX	2	EA
41	FLW025008CZ	WASHER FLAT .250 GR8 C	4	EA
42	HH0420P08CZ048	HHCS .250-20 P GR8 C 3.000	2	EA
43	HH0420F08CZ016	HHCS .250-20 F GR8 C 1.000	2	EA
44	FLW031308CZ	WASHER FLAT .313 GR8 C	8	EA
45	HH0518F08CZ010	HHCS .313-18 F GR8 C .625	6	EA
46	HH0518P08CZ048	HHCS .313-18 P GR8 C 3.000	2	EA
47	10928-009	NUTSERT 5/16-18UNC X .150 GRIP	2	EA
48	FLW037508CZ	WASHER FLAT .375 GR8 C	69	EA
49	972479	BLT HEXHD .375-16 1.25 GR5	4	EA
50	NL061608CZ	NUT HEX NL .375-16 GR8 C	1	EA

Item	Part No.	Name	Qty	Uom
1	14006-012	STEERING CONTROL UNIT 35.9 C/	1	EA
2	14650-010	STRNG COLUMN HAWE RR10011	1	EA
3	11705-008	FTNG ELBOW 45 -08MBA-08MFS	4	EA
4	11702-001	FITTING ELBOW 90 -04MBA- 04MFS	1	EA
	14006-005	SEAL KIT STRNG MTR 9900287- 000		EA
	14006-015	SEAL KIT STRNG MTR SK415137200		EA

Item	Part No.	Name	Qty	Uom
1	14702-000	WHEEL 25 X 25 5 PC	1	EA
2	14701-000	29.5R25 TIRE	1	EA

ATTACHMENTS



11018-010	4-5	11568-003	3-1
11070-008	10-3	11577-006	7-7
11071-008	10-3	11591-003	9-1
11205-024	12-3	11626-004	5-2
11217-008	4-3	11627-004	5-2
11232-002	12-1	11651-009	7-10, 7-11
11236-006	4-3	11671-017	7-4
11237-007	12-1	11691-003	4-13
11350-008	5-1, 5-2	11691-004	4-4, 5-2
11354-000	4-12	11691-005	4-4
11355-002	4-12	11696-001	7-27
11356-000	4-12	11698-003	7-13
11357-000	4-12	11698-006	7-13
11363-002	6-3	11698-007	7-13, 7-24, 7-25
11363-003	4-2	11698-008	7-7
11365-000	7-4	11698-011	7-9
11369-001	5-3	11699-005	7-14, 7-15
11369-002	5-1, 5-3	11699-006	7-15
11369-004	5-1, 5-2, 5-3	11700-001	7-3, 7-13, 7-16, 12-1
11369-006	5-1	11700-003	7-1, 7-5
11369-009	5-2	11700-009	7-1, 7-3, 7-12, 7-13, 7-16, 7-21, 7-22, 7-23,
11372-000	5-1, 5-1, 8-2	10-5	
11373-005	5-4	11700-010	7-7, 12-1
11373-007	5-4	11700-014	7-1, 7-13, 7-14, 7-15
11400-450	4-7, 4-8	11700-016	7-2, 7-11, 9-2
11402-300	4-6	11700-018	7-7
11548-005	5-1	11700-019	7-14, 7-15, 7-18
11549-007	5-1	11700-020	7-10
11549-008	5-3	11700-023	7-7, 7-14, 7-15
11558-014	7-7	11700-027	7-13, 9-1
11560-009	7-7	11700-028	7-10, 7-11
11564-014	3-1	11700-029	7-13
11564-015	3-1	11700-030	7-7
11567-006	7-7	11701-006	5-3

CLICK HERE TO **DOWNLOAD** THE COMPLETE MANUAL

- Thank you very much for reading the preview of the manual.
- You can download the complete manual from: [www.heydownloads.com](http://www.heydownloads.com) by clicking the link below



- Please note: If there is no response to CLICKING the link, please download this PDF first and then click on it.

CLICK HERE TO **DOWNLOAD** THE COMPLETE MANUAL