

XR619 PARTS MANUAL

CLICK HERE TO **DOWNLOAD** THE COMPLETE MANUAL

- Thank you very much for reading the preview of the manual.
- You can download the complete manual from: www.heydownloads.com by clicking the link below

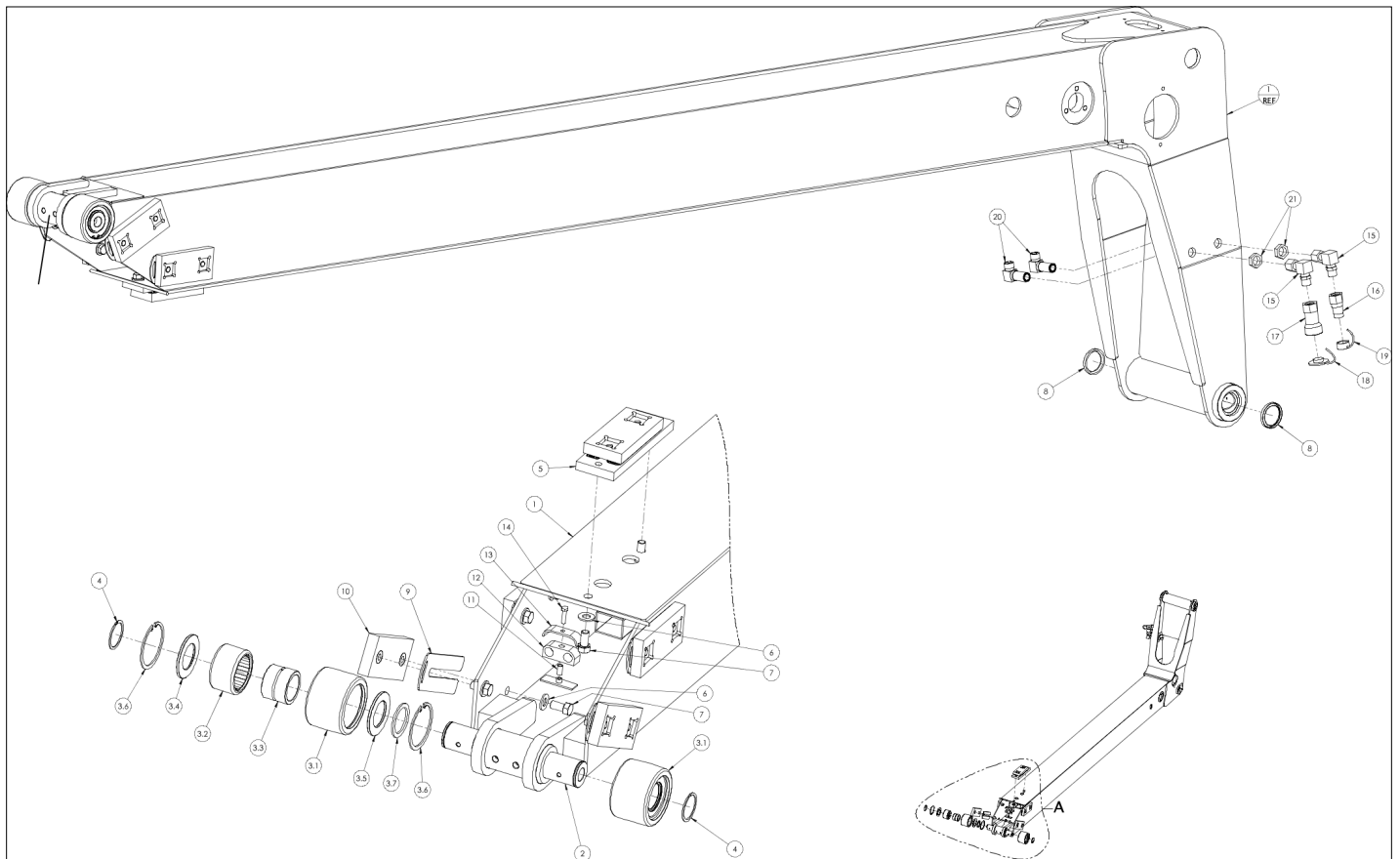


- Please note: If there is no response to CLICKING the link, please download this PDF first and then click on it.

CLICK HERE TO **DOWNLOAD** THE COMPLETE MANUAL

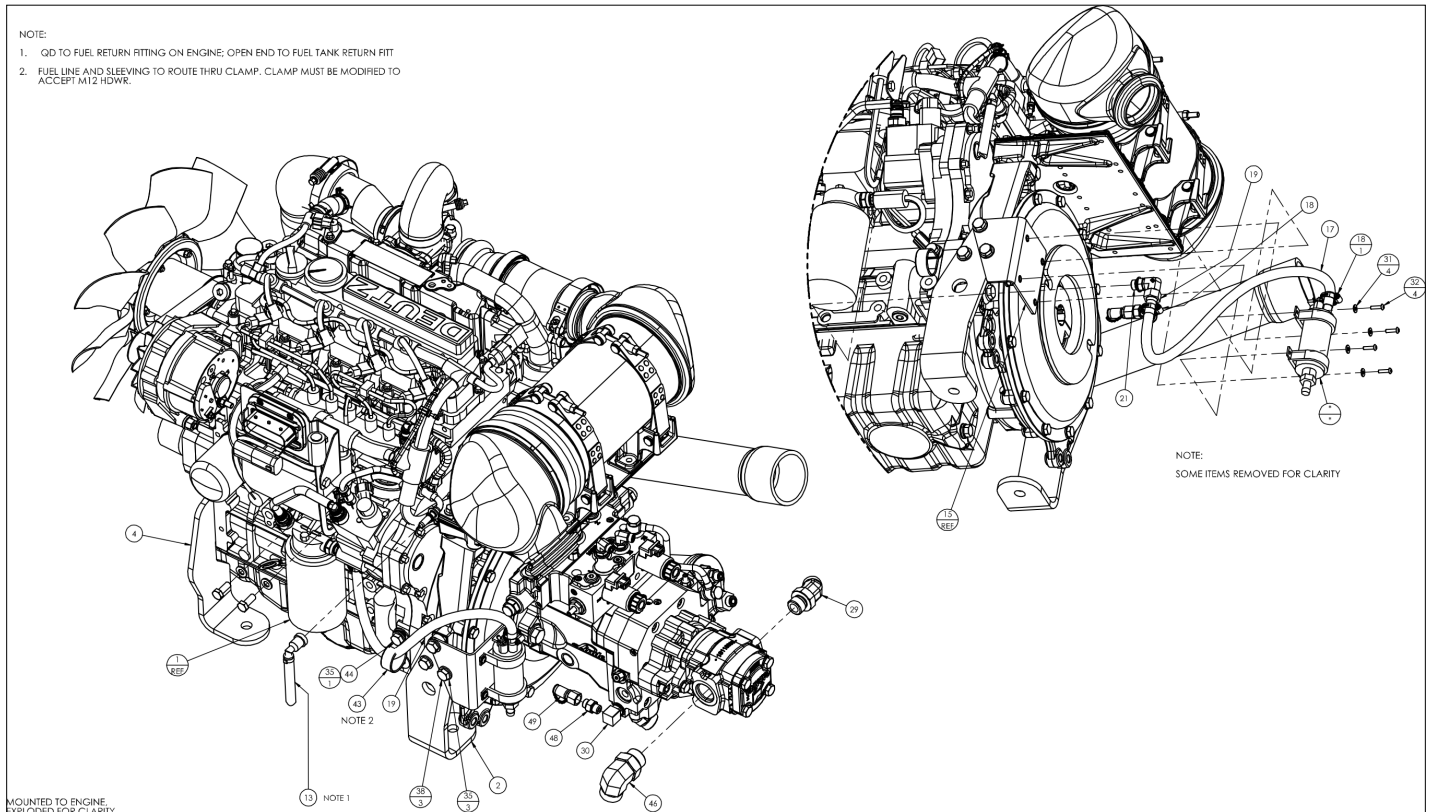
Item	Part No.	Name	Qty	Uom
-	31178-000 R02	FUEL TANK ASSEMBLY		EA
1	31179-000	FUEL TANK WELDMENT 5919 GRY	1	EA
2	12355-000	ISOLATOR MOUNT LORD BUSHNG	3	EA
3	29729-063	FITTING KIT FUEL TANK 5919 DTZ	1	EA
3.1	11568-003	Plug 3/8" NPT hex SOC pipe	1	EA
3.2	11564-013	FTNG EL90 3/8MP-1/2 BARB HOSE	1	EA
3.3	11564-010	FITTING ELBOW 90 3/8" NPT X 3/8" BARB	1	EA
4	13506-000	CAP 3" FILLER VENTED NON- LOCKING	1	EA
5	31281-000	FUEL SENDER COVER	1	EA
6	12852-003	FUEL LEVEL SENDER	1	EA
7	FLW025008CZ	WASHER FLAT .250 GR8 C	4	EA
8	FLW0010STCZ	WASHER FLAT #10 STL C	5	EA
9	HH0420F08CZ008	HHCS .250-20 F GR8 C .500	4	EA
10	10253-010	SCREW 10-24UNC PHM X 1-1/4	5	EA

BOOM



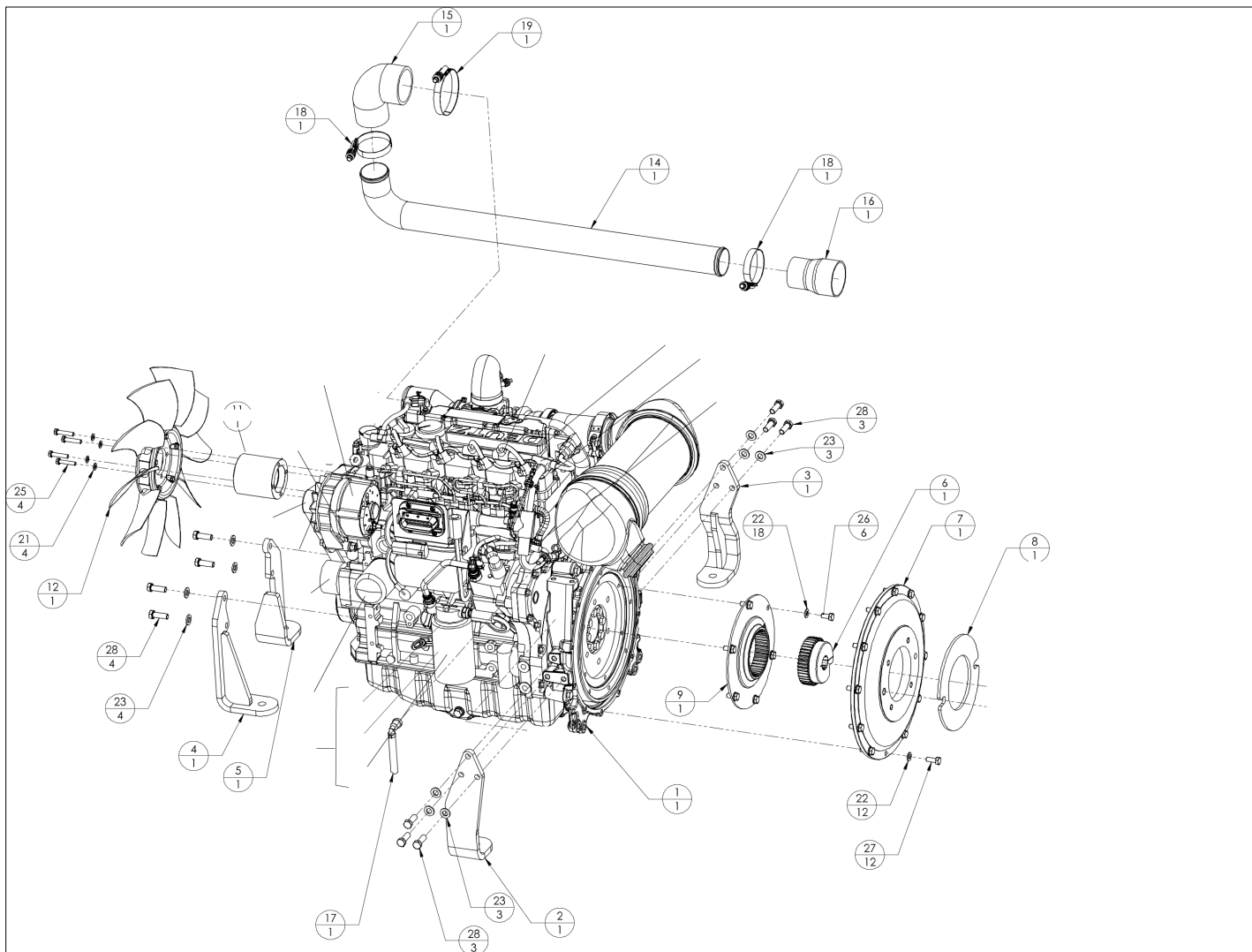
Item	Part No.	Name	Qty	Uom
-	25122-000 05	SLIDE BLOCK ASSEMBLY		EA
1	25271-000	SLIDE BLOCK	-	EA
2	25272-000	SLIDE BLOCK INSERT	-	EA

Item	Part No.	Name	Qty	Uom
73	11369-003	CLAMP 3.25-4.13 C-TORQ P532927	3	EA
74	11369-008	CLAMP .81-1.50 C-TORQ CT-9416	2	EA
75	1580016	CABLE, FUSE 2 TO ALT	1	EA
76	1580017	CABLE, FUSE 4 TO CONTACTOR	1	EA
77	1580018	CABLE, FUSE PANEL TO BATT (+)	1	EA
78	1580019	CABLE, FUSE PANEL TO STARTER	1	EA
79	1580020	CABLE, BATT (-) TO DISCONNECT	1	EA
80	1580021	CABLE, DISCONNECT SW TO CHASIS	1	EA
81	14475-001	CLAMP BATT POST POS 23399-4	1	EA
82	14475-002	CLAMP BATT POST NEG 23399-3	1	EA
83	11702-023	FTNG ELBOW 90 -16MBA-16MFS	1	EA
84	30810-000	A/C SPACER, MECHANICAL ENGINE	2	EA
85	0700026-000	WLDMT, CHASSIS RT SIDE, FRONT	1	EA
86	0700023-000	HEAT SHIELD, XR619	1	EA
87	0700056-000	ELBOW 90 AIR 3.0 (4.50X5.25 LG	1	EA
88	HH0616F08CZ012	HHCS .375-16 F GR8 C .750	6	EA
89	FLW037508CZ	WASHER FLAT .375 GR8 C	32	EA
90	FLW031308CZ	WASHER FLAT .313 GR8 C	18	EA
91	HH0518F08CZ008	HHCS .313-18 F GR8 C .500	2	EA

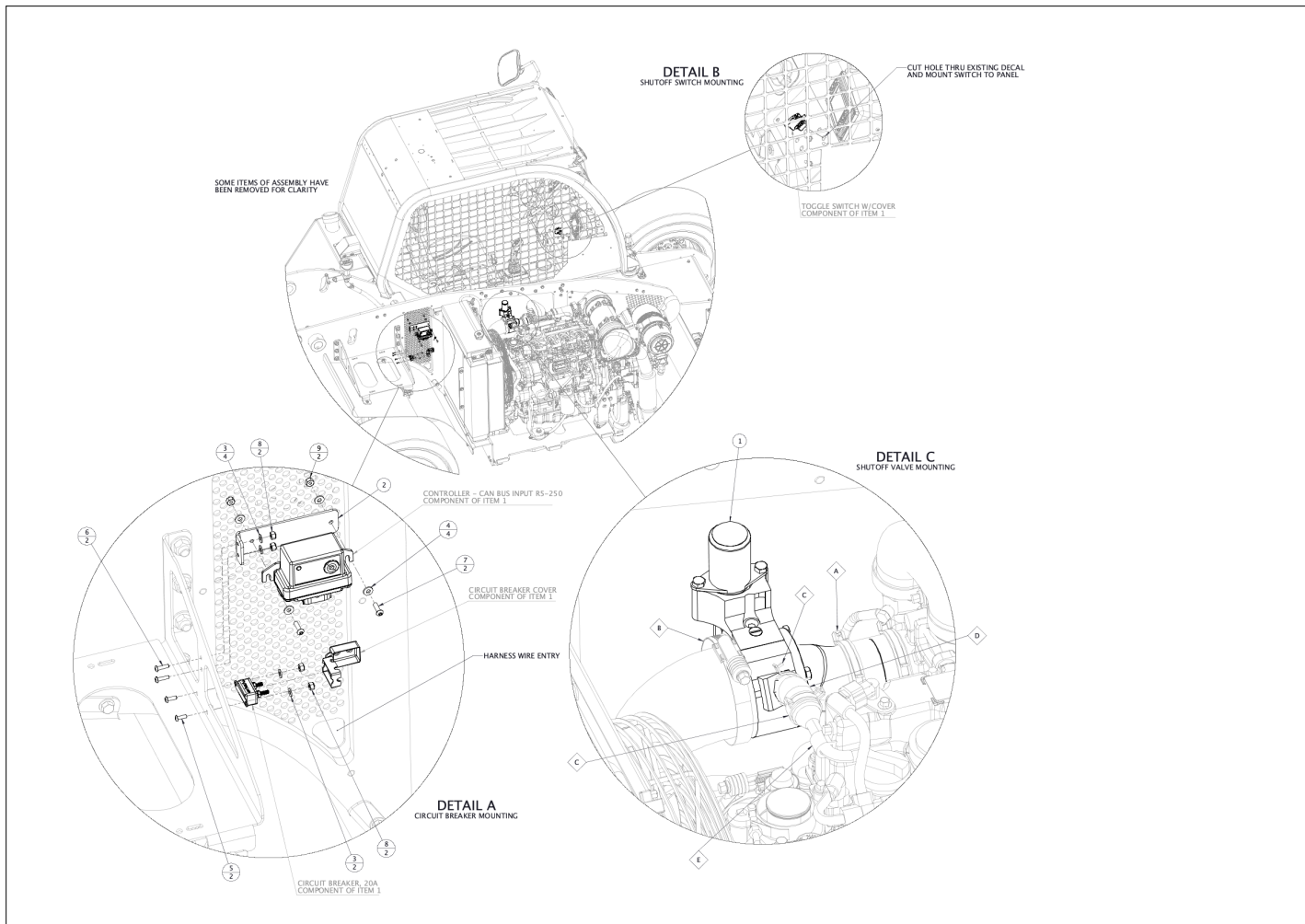


Item	Part No.	Name	Qty	Uom
-	31812-011C	ENGINE/PUMP ASSEMBLY, WITH A/C		EA
1	13969-000	ENGINE 74HP DEUTZ TD2.9L4- EAT	1	EA
2	31862-000	PLATE, MOTOR MT REAR LEFT	1	EA
3	31863-000	PLATE, MOTOR MT REAR RIGHT	1	EA
4	31861-000	PLATE, MOTOR MT FRONT	1	EA
5	14115-020	COUPLER, DRIVE	1	EA
6	14115-001	PLATE, PUMP MOUNT	1	EA
7	31354-000	PLATE, PUMP MOUNT SPACER	1	EA
8	14115-010	PLATE, FLEX DRIVE	1	EA
9	14020-000	PUMP, HYDROSTAT	1	EA
10	31375-000	SPACER, FAN	1	EA
11	11369-003	CLAMP 3.25-4.13 C-TORQ P532927	1	EA
12	11599-008	HYDAC 1620 TST POINT M14X1.5 (00632248)	2	EA
13	31547-000	ASSY, FUEL RETURN HOSE	1	EA
14	14018-000	PUMP, GEAR FIXED CASAPPA 1.61	1	EA
15	31822-000	ASSY, FUEL PUMP MNT	1	EA
16	31936-000	FAN, 16.5" PULLER	1	EA
17	12069-999	HOSE 3/8 ID FUEL	1	EA
18	11352-009	HOSE CLAMP #10 9/16 - 1-1/16 DIA	2	EA
19	11578-003	FTG, STRT, -8FJIC X 3/8 HOSE BARB	1	EA
20	11594-001	FITTING ELBOW 45 -12 CODE 62 -12MFS	2	EA
21	11620-004	FTG, 90 ELBOW M16-1.5 X - 8MJIC	1	EA
22	11743-003	FITTING STRAIGHT 04MFS- 14MDIN	1	EA

ENGINE

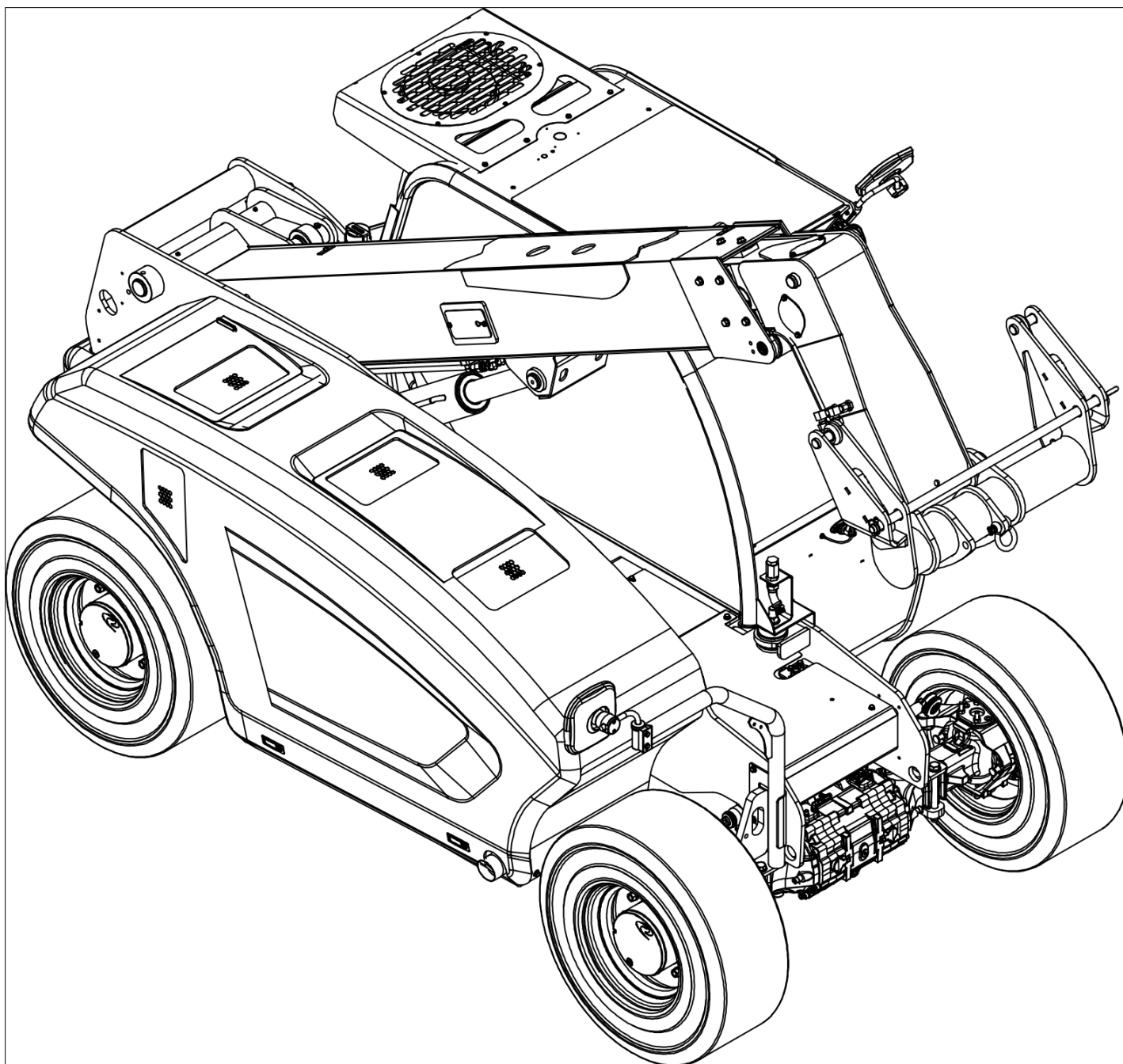


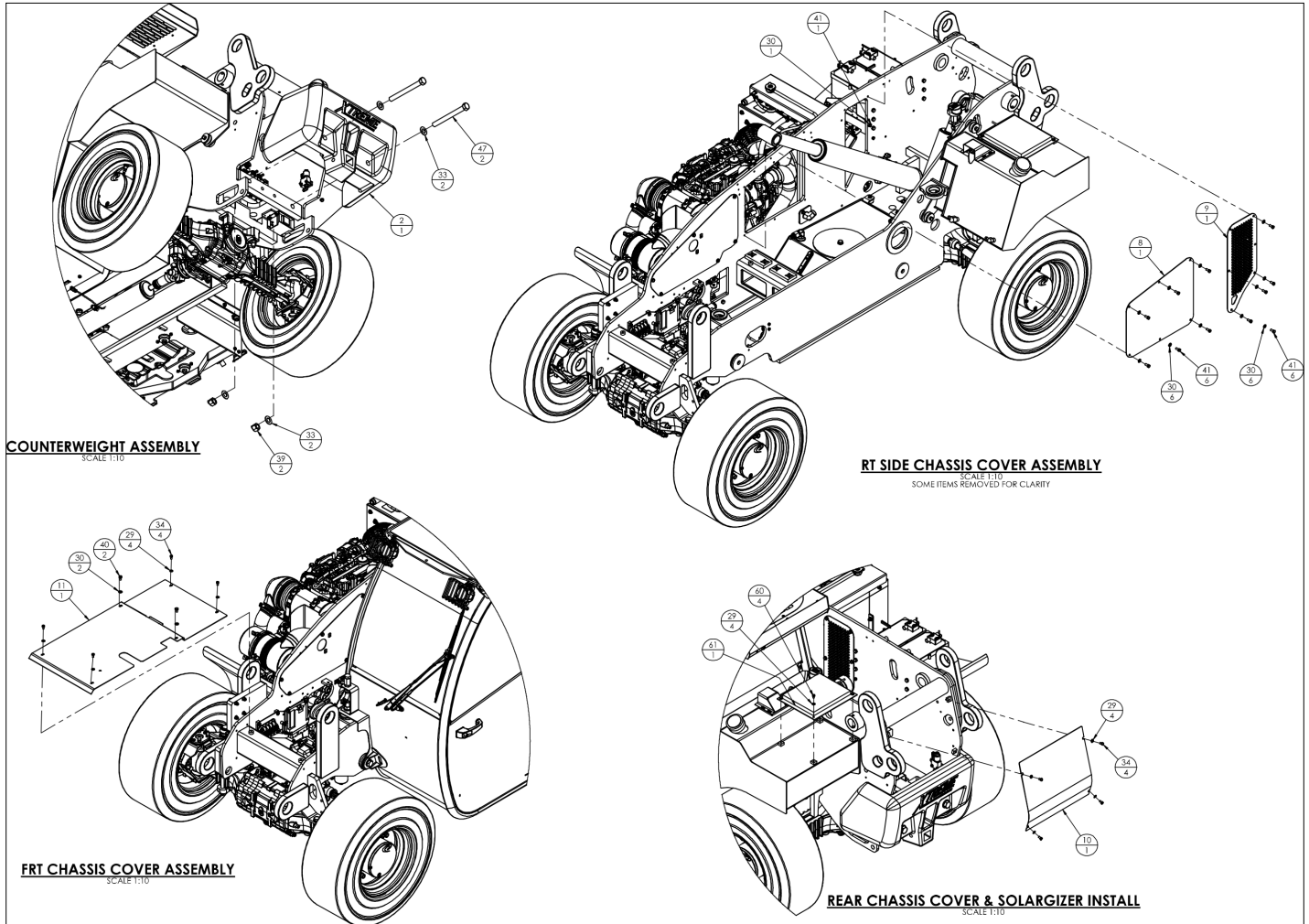
ENGINE



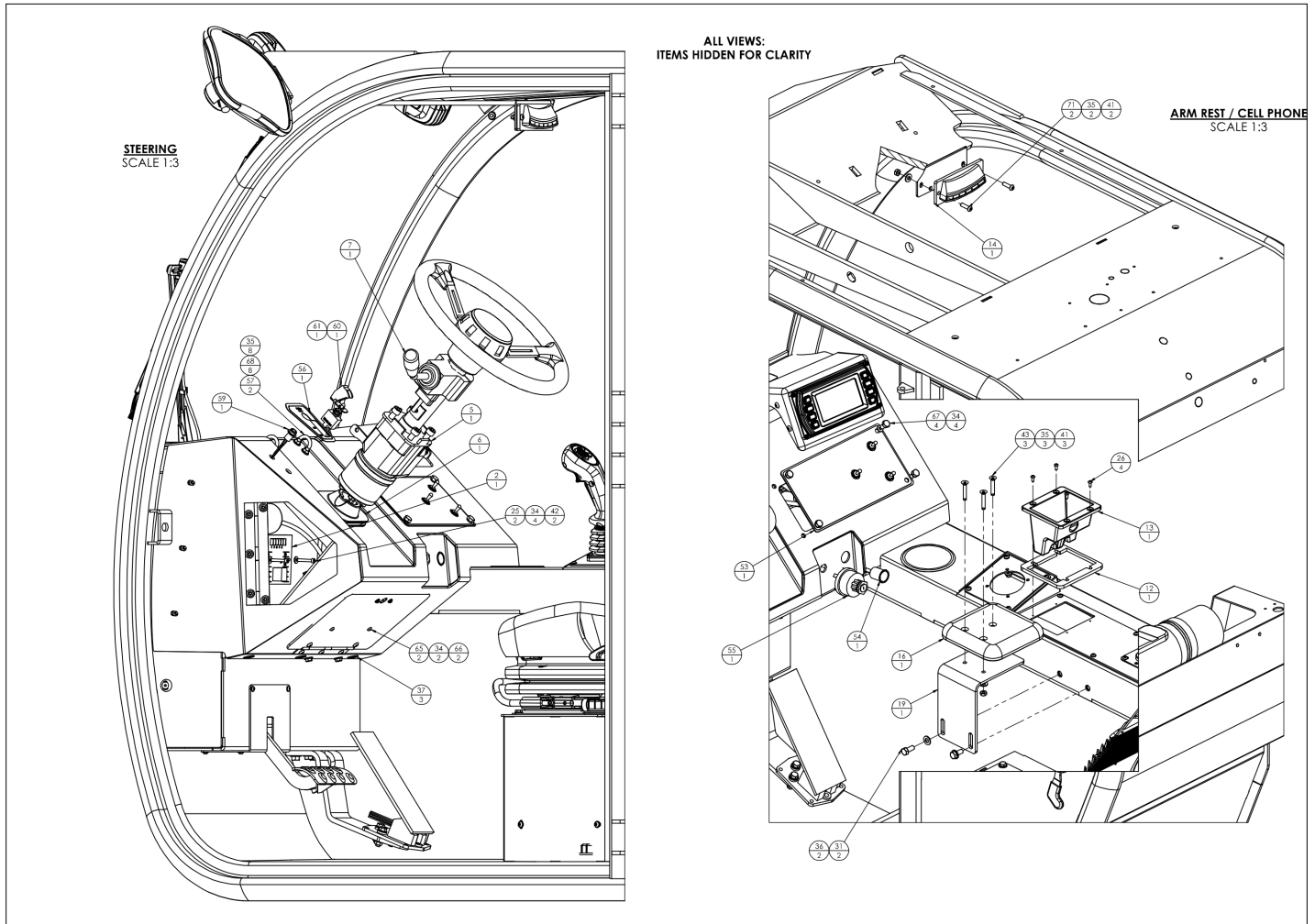
Item	Part No.	Name	Qty	Uom
27	10010175	ARM, L BREAKAWAY MIRROR	1	EA
28	10010176	MIRROR 6X9 (CAB)	1	EA
29	FLW031308CZ	WASHER FLAT .313 GR8 C	20	EA
30	FLW037508CZ	WASHER FLAT .375 GR8 C	29	EA
31	FLW050008CZ	WASHER FLAT .500 GR8 C	4	EA
32	11001-014	WASHER 7/8 SAE FLAT ASTM	7	EA
33	FLW100008CZ	WASHER FLAT 1.000 GR8 C	4	EA
34	HH0518F08CZ010	HHCS .313-18 F GR8 C .625	8	EA
35	HH0518F08CZ014	HHCS .313-18 F GR8 C .875	8	EA
36	10914-005	NUT HEX DISTORTED LOCK.312-18	4	EA
37	10914-006	NUT HEX DISTORT LOCK.375- 16UNC	5	EA
38	10914-008	NUT HEX DISTORTED LOCK.50- 13	2	EA
39	NL160808CZ	NUT HEX NL 1.000-8 GR8 C	2	EA
40	HH0616F08CZ008	HHCS .375-16 F GR8 C .500	2	EA
41	HH0616F08CZ014	HHCS .375-16 F GR8 C .875	16	EA
42	10182-026	BOLT, HHCS, .375-16 UNC, STL, GR 8, 3.25 LG, PLTD - FULL THREAD	1	EA
43	HH0813P08CZ080	HHCS .500-13 P GR8 C 5.000	1	EA
44	HH0813P08CZ064	HHCS .500-13 P GR8 C 4.000	1	EA
45	HH1414P08CZ088	HHCS .875-14 P GR8 C 5.500	4	EA
46	10915-014	NUT, HEX, DISTORTED LOCK, .875-14 UNF, GR8, PLTD	3	EA
47	HH1608P08CZ160	HHCS 1.000-8 P GR8 C 10.000	2	EA
48	11015-010	WASHER M8 FLAT METRIC	2	EA
49	HH0812F10CZ016	HHCS M8X1.25 F 10.9 C 16	2	EA
50	11684-005	ADAPTER, STR BH, -12MJ X - 12MB	1	EA
51	11689-006	NUT, BULKHEAD -12MJ	1	EA

CABIN & COVERS

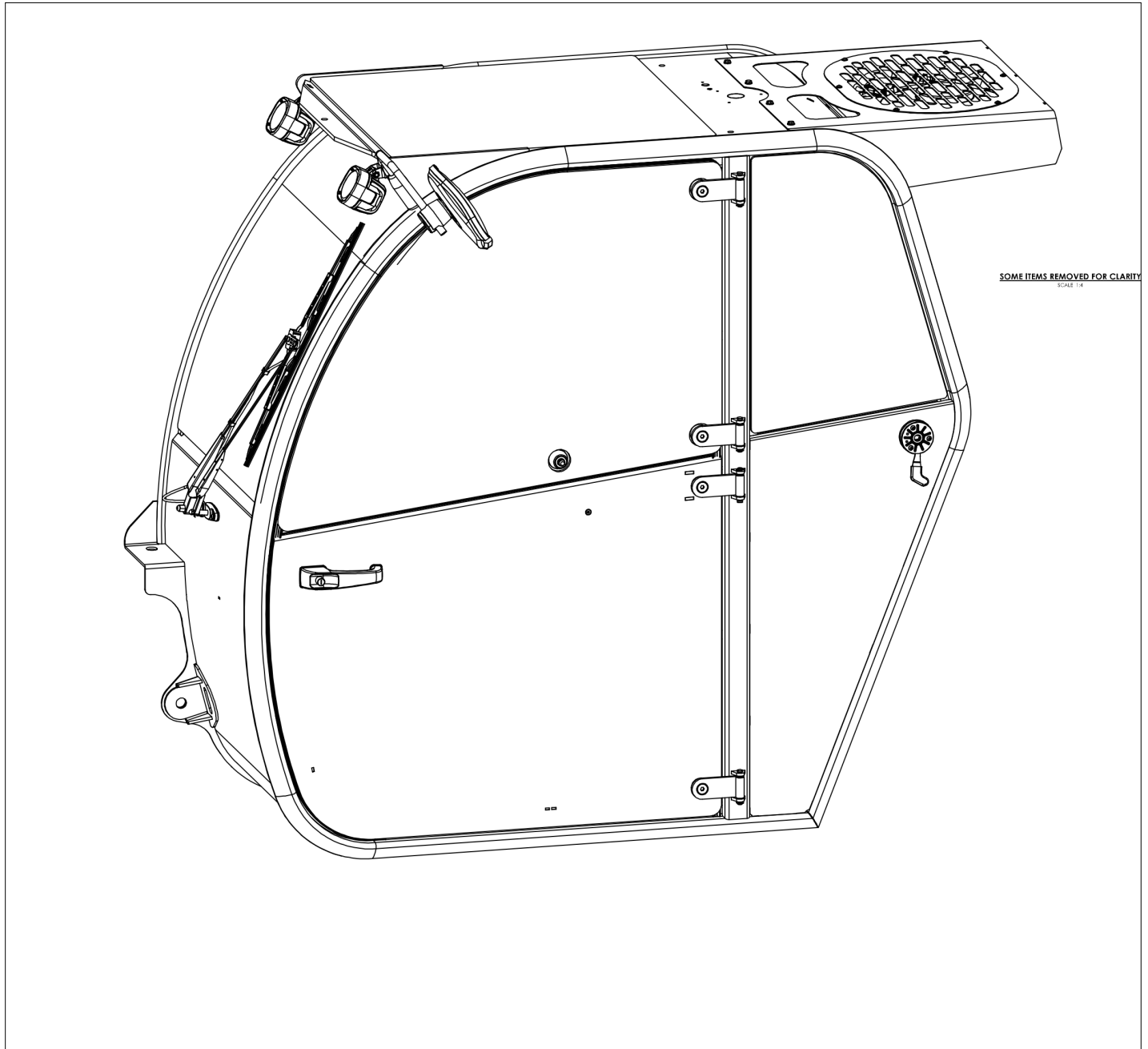




Item	Part No.	Name	Qty	Uom
25	18004-120	DECAL, DASH OVERLAY, COMPACT TELEHANDLERS	1	EA
26	13159-000	SWITCH GUARD EATON L/TSC1	1	EA
27	13157-000	SWITCH KEYKEYED-ALIKE PERKINS	1	EA
28	13110-000	AUX OUTLET	1	EA
29	10251-004	MACHN SCRW PAN HD, PHILLIPS, #6-32 UNC X .500 MTS 16, 18 PLT	4	EA
30	33501-000	DISPLAY MOUNT	1	EA
31	31351-010	BRKT, FUSE BLOCK MTG.	1	EA
32	A31295-015	FUSE BOX, COOPER- BUSSMANN	1	EA
33	31053-000	STEERING COLUMN ASSY	1	EA
34	10011113	BOOT, STEERING COLUMN	1	EA
35	12820-000	F-N-R SHIFTER	1	EA
36	14673-001	BRAKE PEDAL ASSEMBLY W/FTG 630	1	EA
37	27412-002	ACCELERATOR PEDAL ASSY	1	EA
38	12762-000	DISPLAY PANEL PV450 DEUTZ 2.9L	1	EA
39	158-0098-000	PLT, CELL PHONE SPACER	2	EA
40	10012520	HOLDER CELL PHONE	1	EA
41	14659-000	INDICATOR SIDE SLOPE	1	EA
42	30610-000	OPERATOR MANUAL - TUBE	1	EA
43	25652-000	ARM REST PAD	1	EA
44	10010242	ASSY ARM OPT #2	1	EA
45	10010176	MIRROR 6X9 (CAB)	1	EA
46	31350-000	BRACKET, ARM REST PAD	1	EA
47	10013000	SEAT, 2.50 SUSPENSION (5519)	1	EA
48	12836-000	JOYSTICK, DUAL AXIS	1	EA
49	10011110	LAMP, LED WORK, 1850 LUMEN TYRI 0909PI-1850	2	EA



CABIN & COVERS



Item	Part No.	Name	Qty	Uom
25	10100-007	BOLT, BHCS, #10-24 UNC X .875, GR8, PLTD	6	EA
26	10101-006	BOLT, BHCS, .250-20 UNC X .75, PLTD	4	EA
27	10000-003	SCREW 1/4-20UNC HHC X 7/16	2	EA
28	HH0420F08CZ012	HHCS .250-20 F GR8 C .750	2	EA
29	HH0518F08CZ012	HHCS .313-18 F GR8 C .750	6	EA
30	HH0616F08CZ016	HHCS .375-16 F GR8 C 1.000	4	EA
31	11001-001	WASHER #6 SAE FLAT ASTM	12	EA
32	FLW0010STCZ	WASHER FLAT #10 STL C	16	EA
33	FLW025008CZ	WASHER FLAT .250 GR8 C	36	EA
34	FLW031308CZ	WASHER FLAT .313 GR8 C	14	EA
35	FLW037508CZ	WASHER FLAT .375 GR8 C	7	EA
36	11015-008	WASHER M6 FLAT*	2	EA
37	11015-010	WASHER M8 FLAT METRIC	4	EA
38	DL0632STCZ	NUT HEX DL #6-32 STL C	4	EA
39	10914-004	NUT, HEX, DISTORTED LOCK, .250-20 UNC, GR8, PLTD	9	EA
40	NL1024STCZ	NUT HEX NL 10-24 STL C	6	EA
41	10154-012	SCREW 1/4-20UNC FSHC X 1-1/2	3	EA
42	HH0610F10CZ020	HHCS M6X1 F 10.9 C 20	2	EA
43	10940-010	NUT, HEX, M8-1.25mm, CLASS 10.9, PLTD	4	EA
44	30292-000	ACCESS DOOR HINGE	2	EA
45	31284-000	BRAKE ACCESS DOOR WELD GRY	1	EA
46	14674-000	RESERVOIR, BRAKE MASTER CYLINDER	1	EA
47	11403-062	RING, RETAINING E RING 5/8	1	EA
48	10101-005	SCREW 1/4-20UNC SBHC X 5/8	10	EA
49	13567-000	QUARTER TURN SPRING LATCH	2	EA

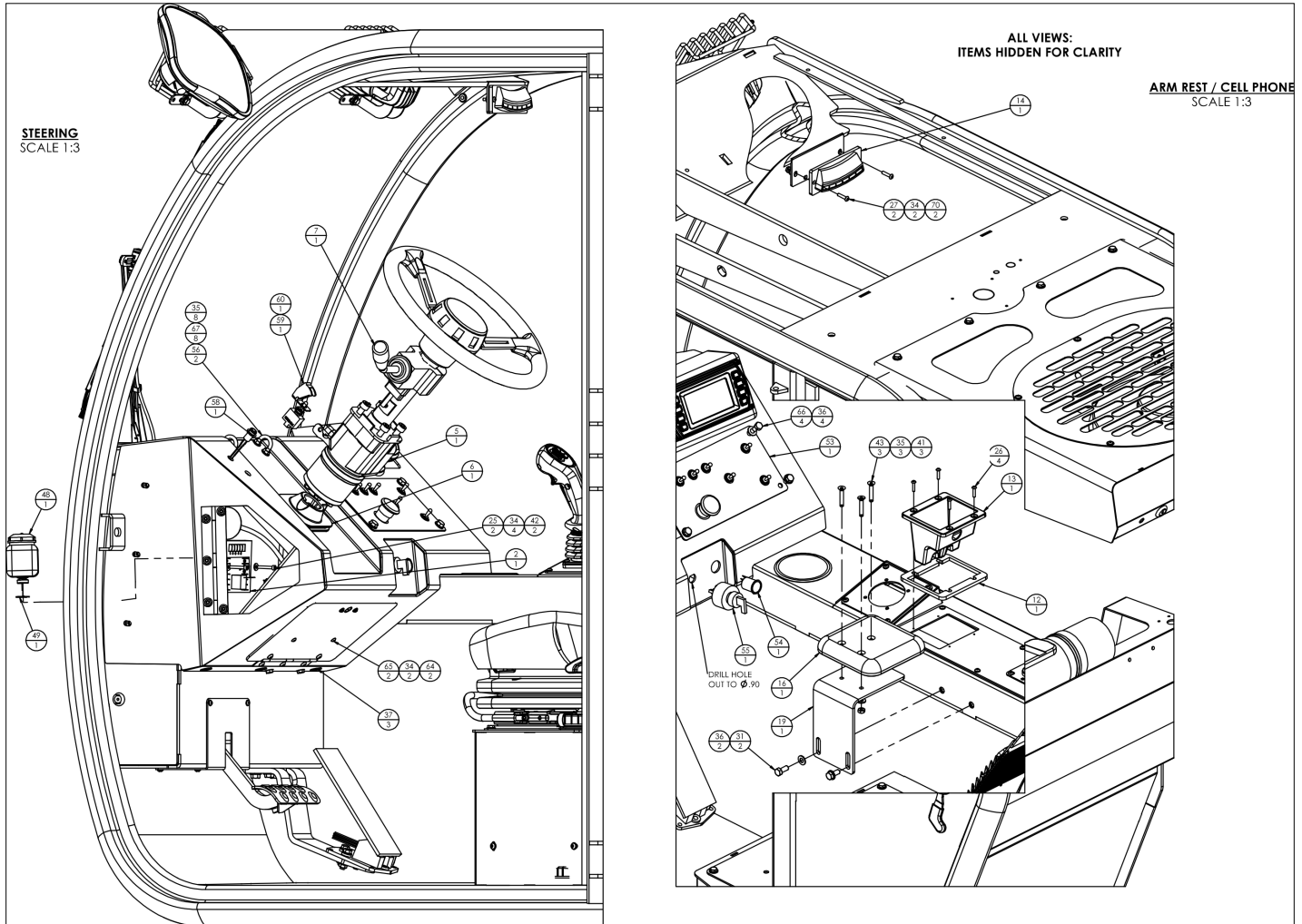
CLICK HERE TO **DOWNLOAD** THE COMPLETE MANUAL

- Thank you very much for reading the preview of the manual.
- You can download the complete manual from: www.heydownloads.com by clicking the link below

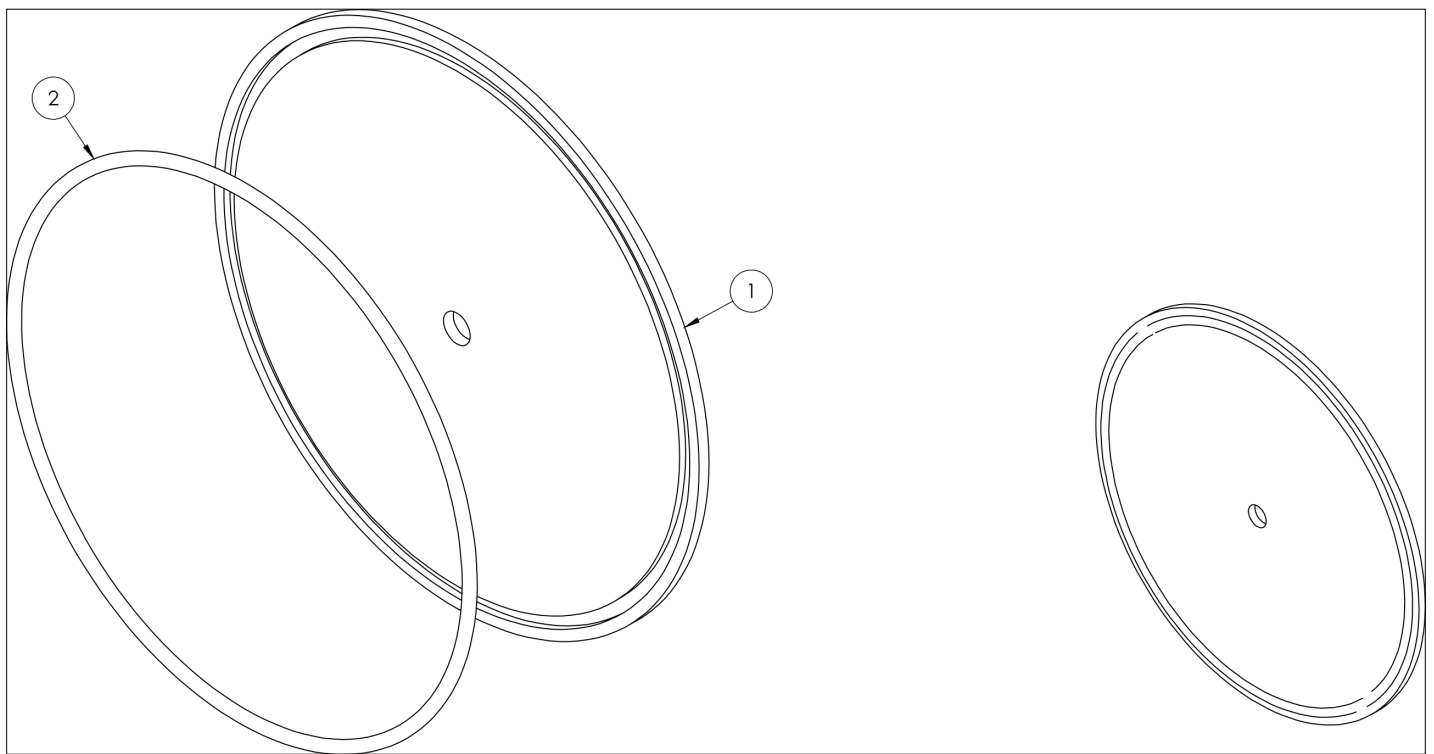


- Please note: If there is no response to CLICKING the link, please download this PDF first and then click on it.

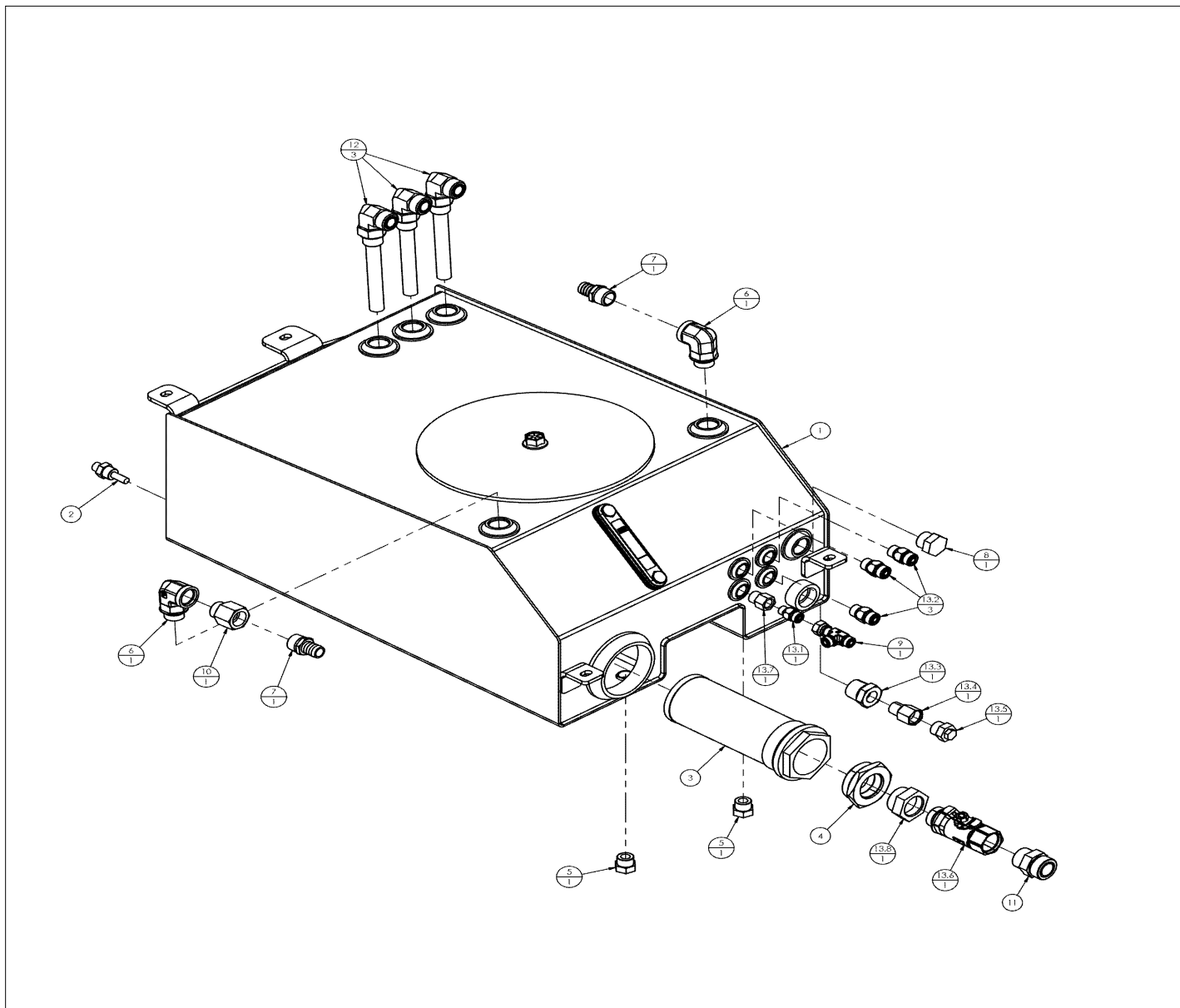
CLICK HERE TO **DOWNLOAD** THE COMPLETE MANUAL

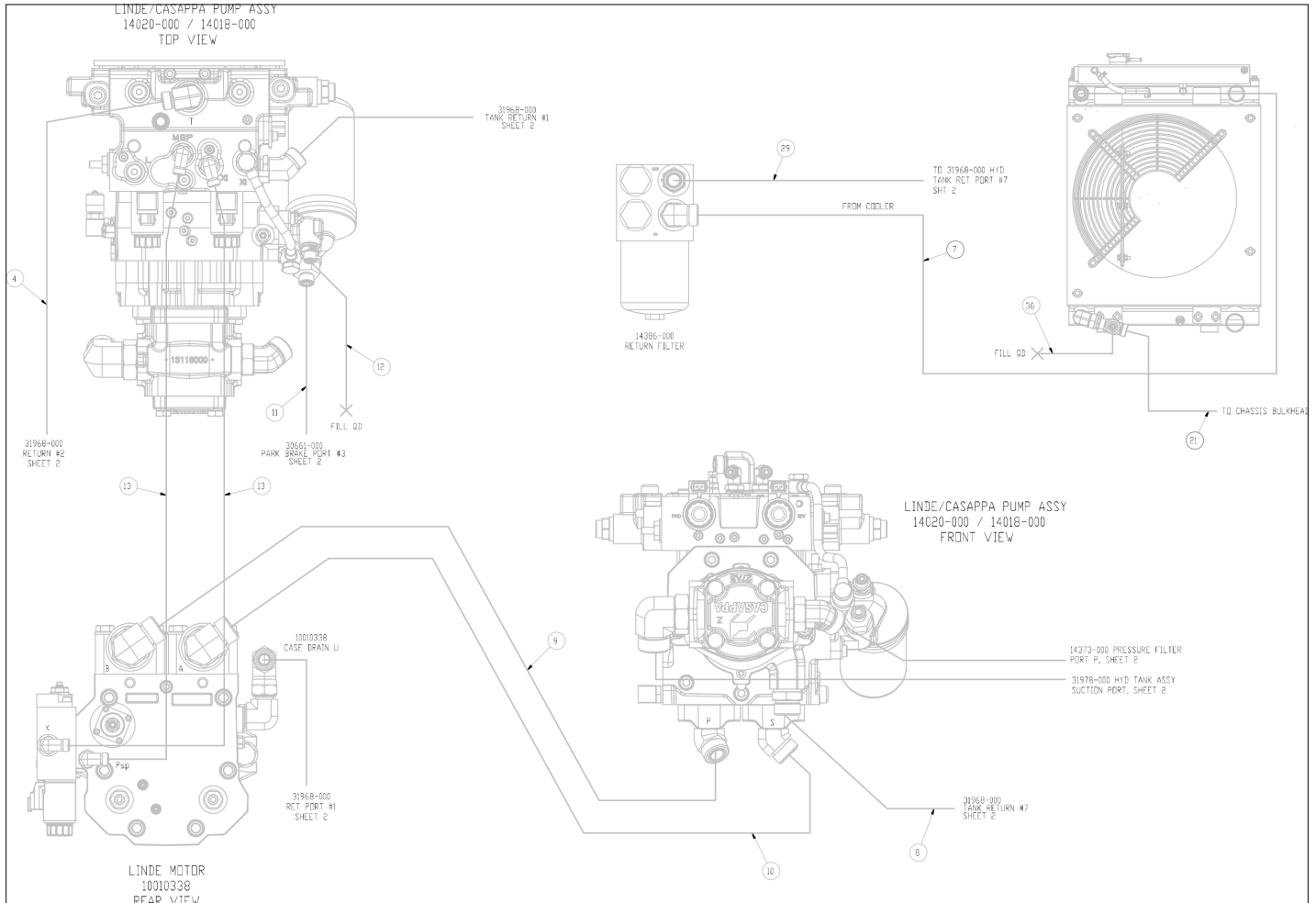


CABIN & COVERS

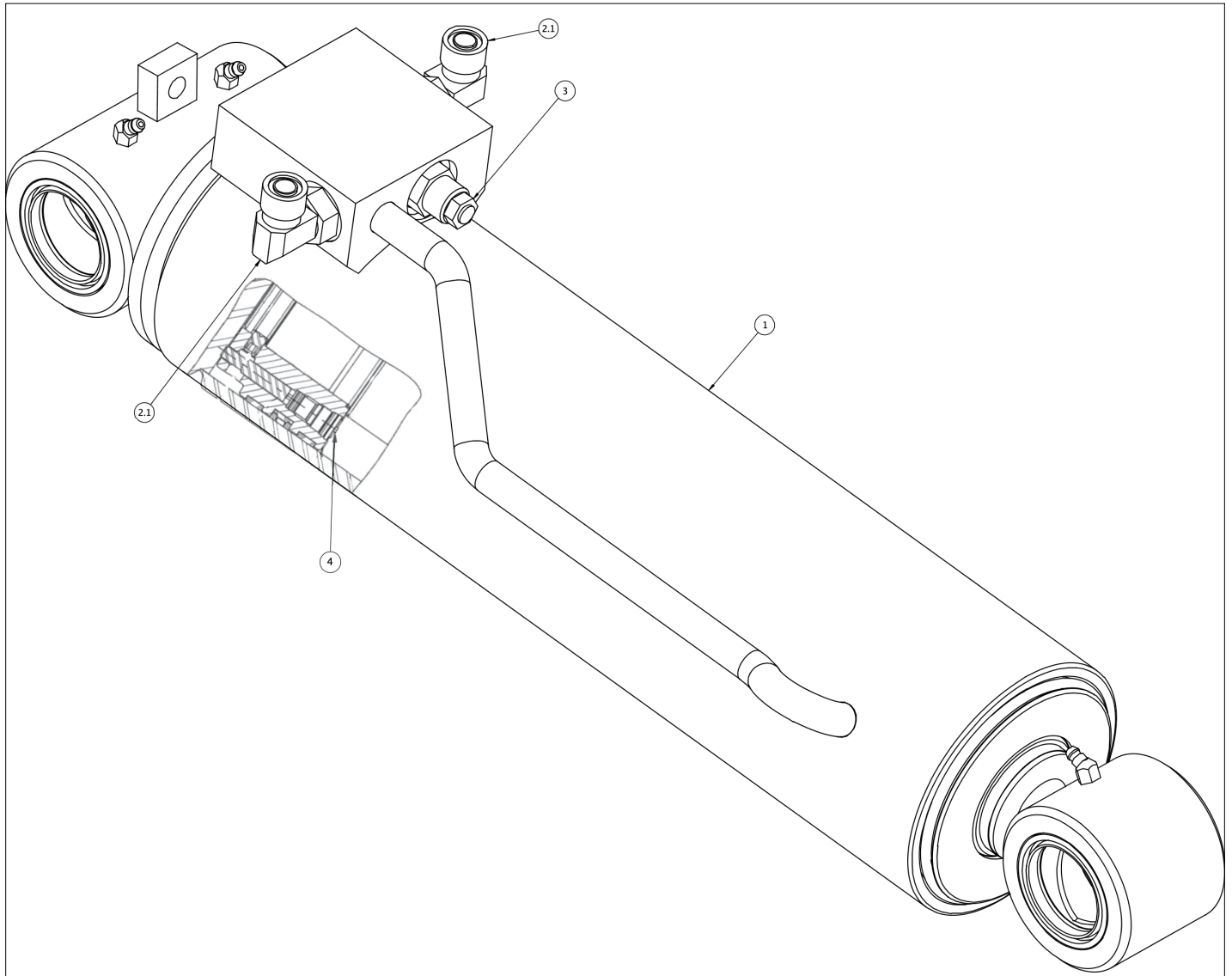


HYDRAULIC SYSTEM





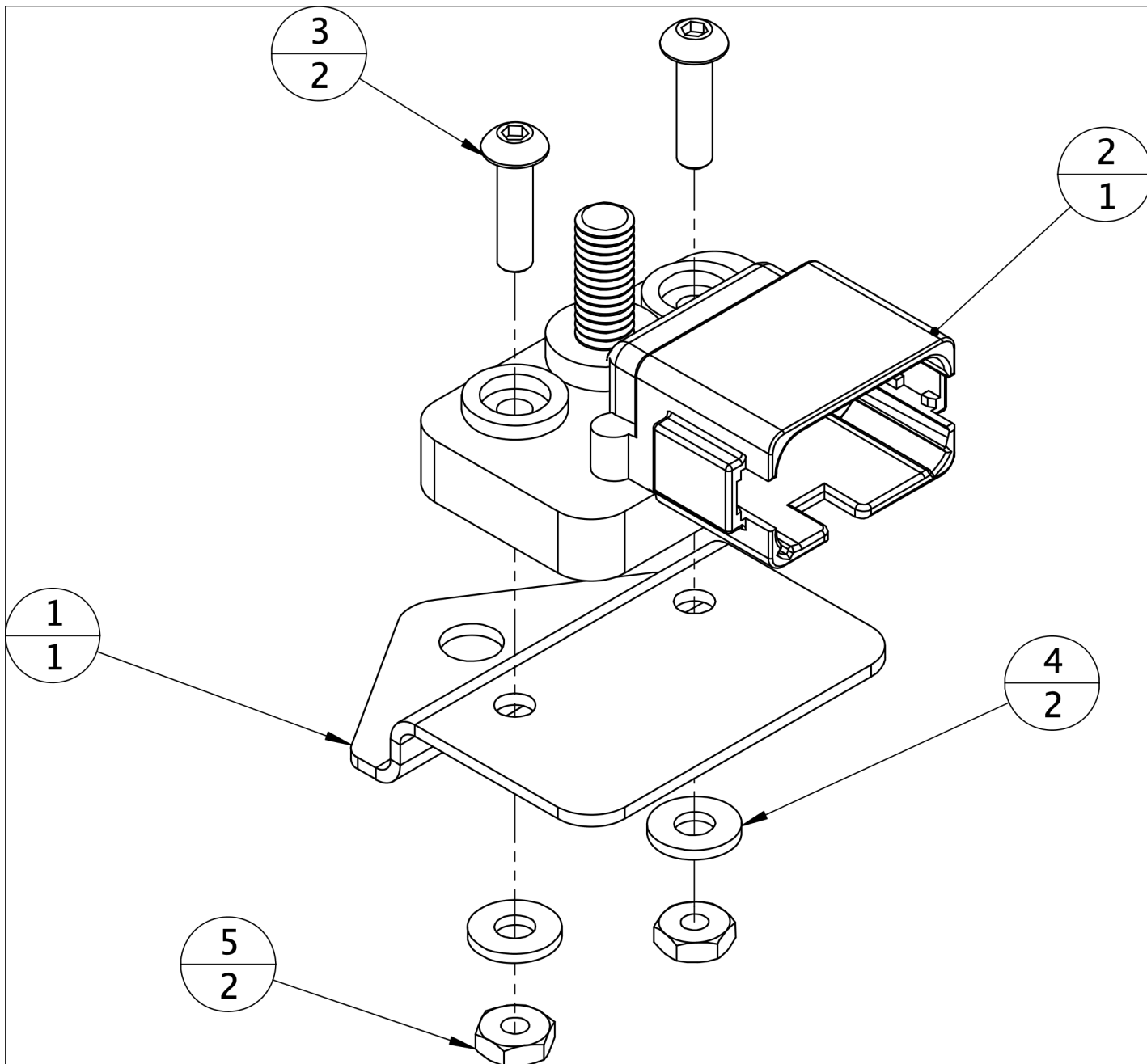
Item	Part No.	Name	Qty	Uom
1	31020-001	LIFT CYLINDER ASSEMBLY	1	EA
2.1	11702-011	FITTING, ELBOW 90 -08MBA-08MFS	1	EA
2.2	11702-015	FITTING ELBOW 90 -10MBA-10MFS	1	EA
3	14185-000	VALVE CB	1	EA
4	14245-000	NEEDLE VALVE	1	EA
5	31020-040	GARMAX JPURNAL BEARING	4	EA
REF	31020-011	SEAL KIT	1	EA



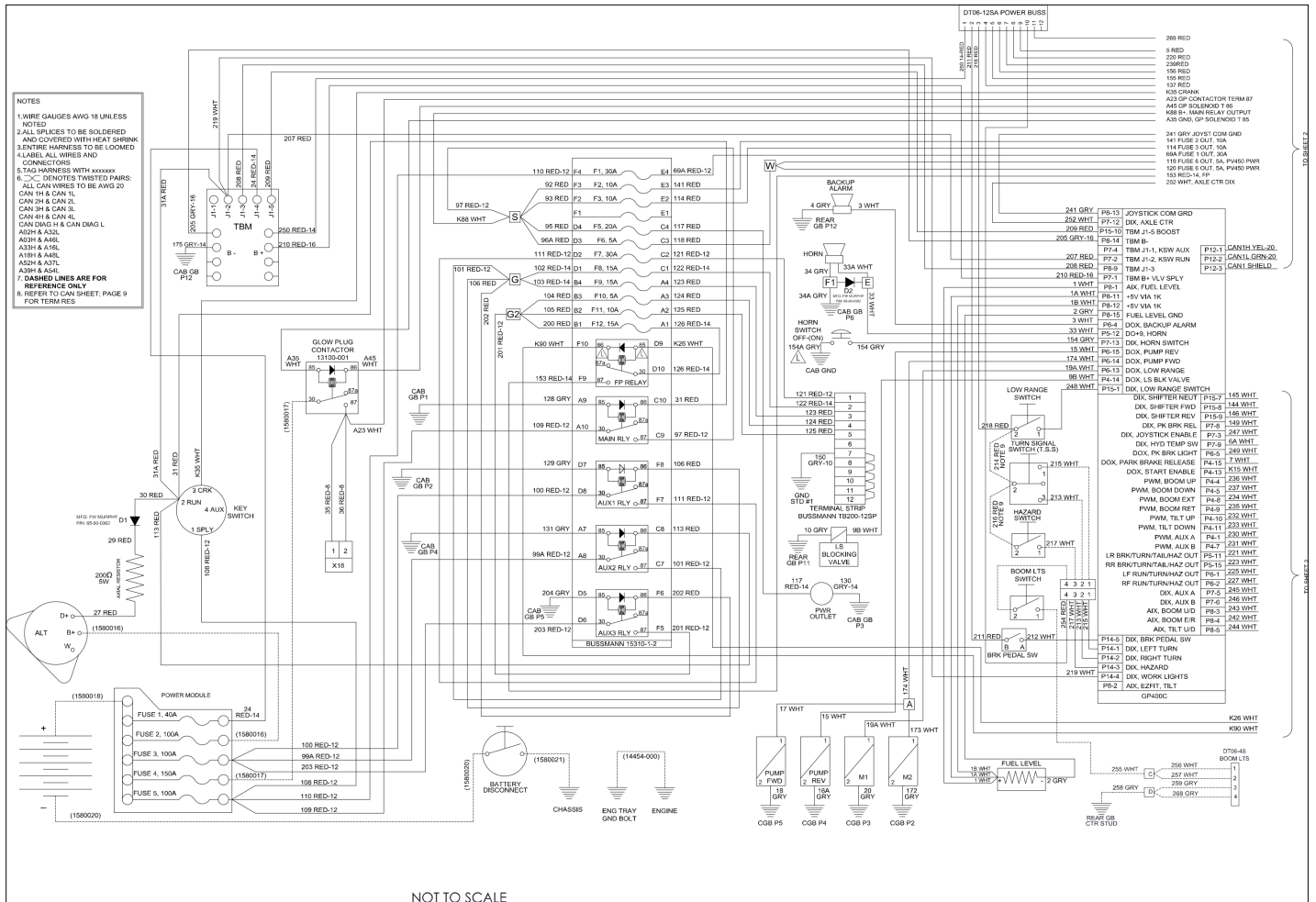
SIGNAL

SIGNAL						
Wire	AWG	Color	CONNECTOR 1		CONNECTOR 2	
			Term 1	DESCRIPTION	Term 2	DESCRIPTION
1	18	Wht	GP400 P8-1	SOCKET	Fuel Sender +	#10 RT
3	18	Wht	GP400 P6-4	SOCKET	BU Alarm +	#10 RT
7	18	Wht	GP400C P4-15	SOCKET	Pk Brk Vlv 1	DEUTSCH SOCKET
15	18	Wht	GP400 P6-15	SOCKET	Pump Rev Sol, P1	DEUTSCH SOCKET
17	18	Wht	Junction A	SPLICE	Pump Fwd Sol, P1	DEUTSCH SOCKET
33	18	Wht	GP400 P5-12	SOCKET	Junction E	SPLICE
144	18	Wht	Shifter C (F)	FEMALE 280 METRIPACK	GP400 P15-8	SOCKET
145	18	Wht	Shifter B (N)	FEMALE 280 METRIPACK	GP400 P15-7	SOCKET
146	18	Wht	Shifter A (R)	FEMALE 280 METRIPACK	GP400 P15-9	SOCKET
149	18	Wht	Pk Brk SW 1	#6 RT	GP400 P7-8	SOCKET
157	18	Wht	Cab Lt Sw 1	#6 RT	Junction F	SPLICE
158	18	Wht	Junction F	SPLICE	Front Cab Light + P2	DEUTSCH SOCKET
159	18	Wht	Junction F	SPLICE	Front Cab Light + P1	DEUTSCH SOCKET
173	18	Wht	Junction A	SPLICE	M2 Sol 1	DEUTSCH SOCKET
174	18	Wht	GP400 P6-14	SOCKET	Junction A	SPLICE
212	18	Wht	Brake Pedal SW A	DEUTSCH SOCKET	GP400 P14-5	SOCKET
213	18	Wht	OPTION HARNESS P2	DEUTSCH SOCKET	GP400 P14-2	SOCKET
215	18	Wht	OPTION HARNESS P1	DEUTSCH SOCKET	GP400 P14-1	SOCKET
217	18	Wht	OPTION HARNESS P3	DEUTSCH SOCKET	GP400 P14-3	SOCKET
219	18	Wht	TBM J1-2	#6 RT	GP400 P14-4	SOCKET
221	18	Wht	GP400 P5-11	SOCKET	Rear Chassis Lts P1	DEUTSCH SOCKET
223	18	Wht	GP400 P5-15	SOCKET	Rear Chassis Lts P2	DEUTSCH SOCKET
225	18	Wht	GP400 P6-1	SOCKET	Front Chassis Lts P1	DEUTSCH SOCKET
227	18	Wht	GP400 P6-2	SOCKET	Front Chassis Lts P2	DEUTSCH SOCKET
230	18	Wht	GP400 P4-1	SOCKET	AUX A P1	DEUTSCH SOCKET
231	18	Wht	GP400 P4-7	SOCKET	AUX B P4	DEUTSCH SOCKET
232	18	Wht	GP400 P4-10	SOCKET	TILT UP P1	DEUTSCH SOCKET
233	18	Wht	GP400 P4-11	SOCKET	TILT DOWN P4	DEUTSCH SOCKET
234	18	Wht	GP400 P4-8	SOCKET	BOOM EXTEND P1	DEUTSCH SOCKET
235	18	Wht	GP400 P4-9	SOCKET	BOOM RETRACT P4	DEUTSCH SOCKET
236	18	Wht	GP400 P4-4	SOCKET	BOOM LIFT P4	DEUTSCH SOCKET
237	18	Wht	GP400 P4-5	SOCKET	BOOM LOWER P1	DEUTSCH SOCKET
242	18	Wht	Joystick J1-3	DEUTSCH SOCKET	GP400 P8-4	SOCKET
243	18	Wht	Joystick J1-4	DEUTSCH SOCKET	GP400 P8-3	SOCKET
244	18	Wht	Joystick J3-1	DEUTSCH PIN	GP400 P8-5	SOCKET
245	18	Wht	Joystick J3-3	DEUTSCH PIN	GP400 P7-5	SOCKET
246	18	Wht	Joystick J3-4	DEUTSCH PIN	GP400 P7-6	SOCKET
247	18	Wht	Joystick J3-6	DEUTSCH PIN	GP400 P7-3	SOCKET
248	18	Wht	Low Range SW 1	#6 RT	GP400 P15-1	SOCKET
249	18	Wht	GP400 P6-5	SOCKET	Pk Brk Light 1	DEUTSCH SOCKET
252	18	Wht	Axle Ctr Sw 1	DEUTSCH SOCKET	GP400 P7-12	SOCKET

ELECTRICAL SYSTEM

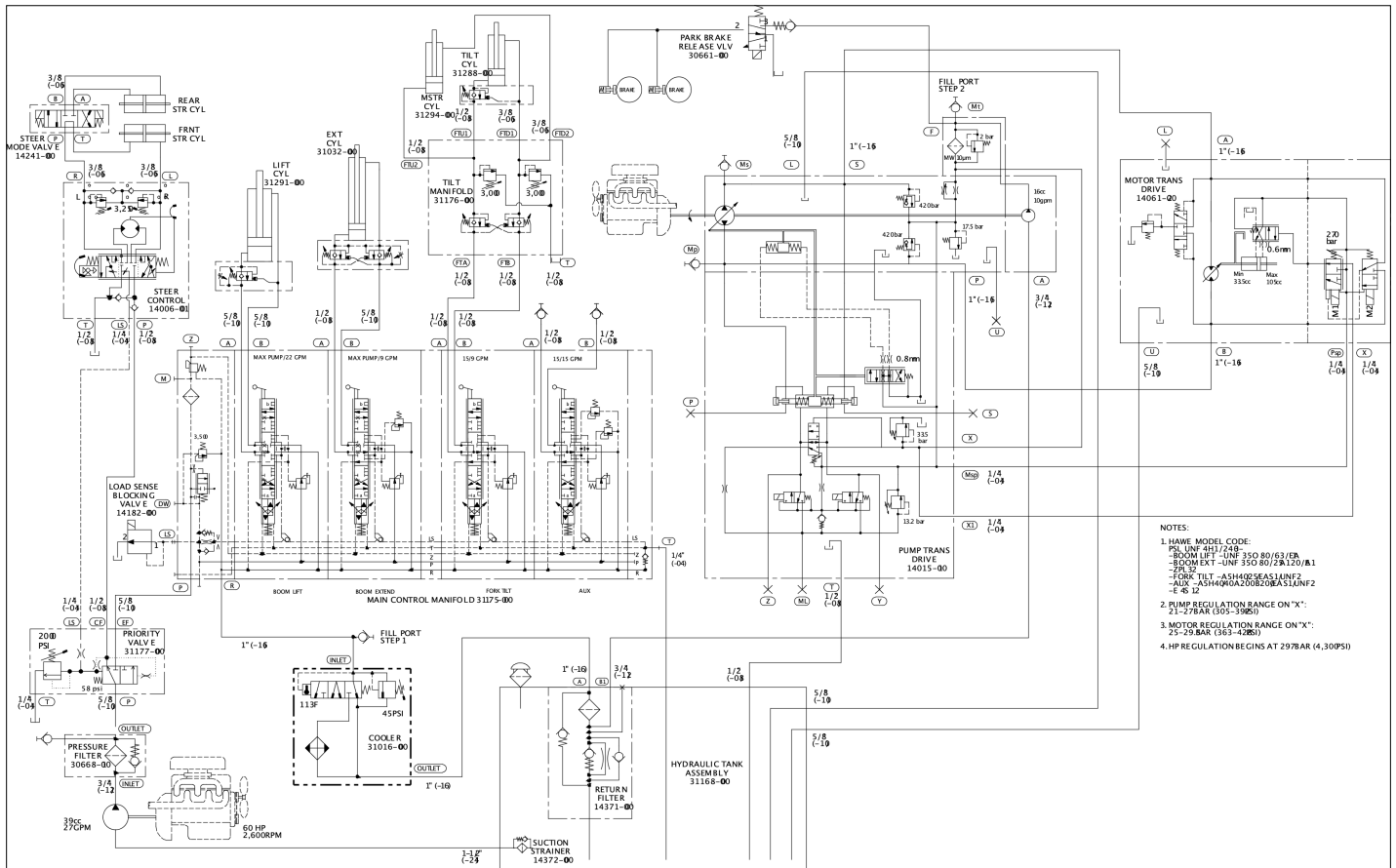


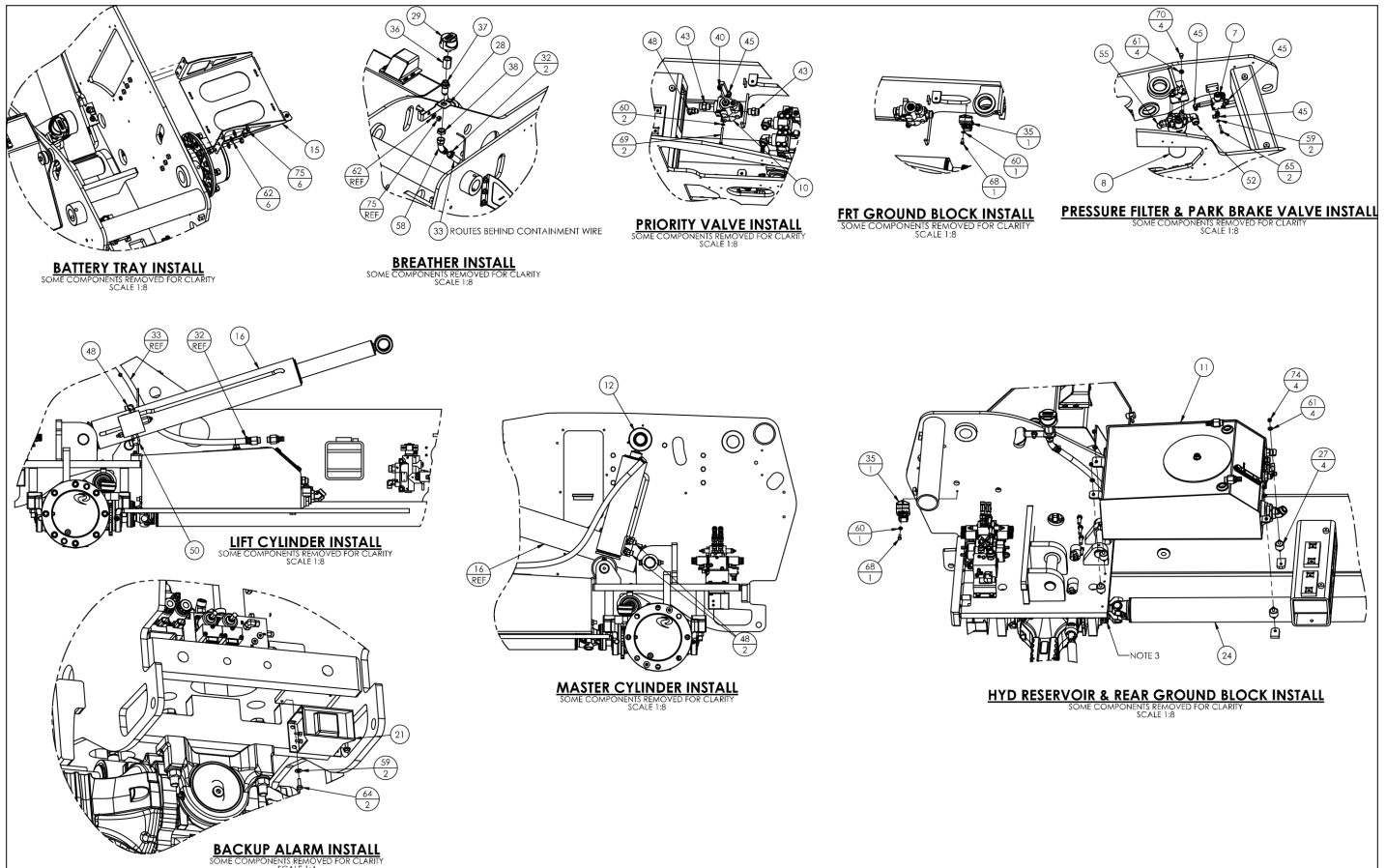
ELECTRICAL SYSTEM



NOT TO SCALE

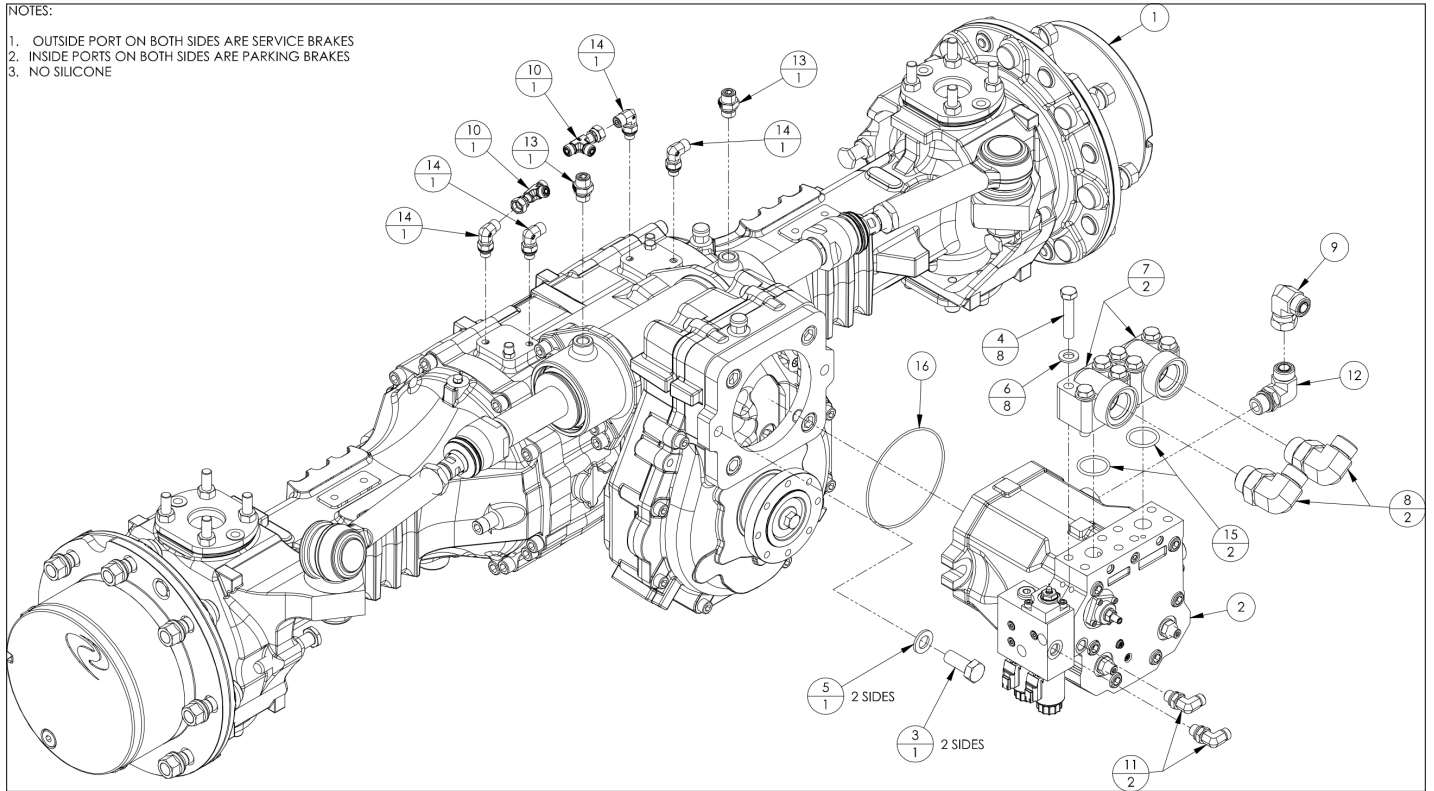
ELECTRICAL SYSTEM



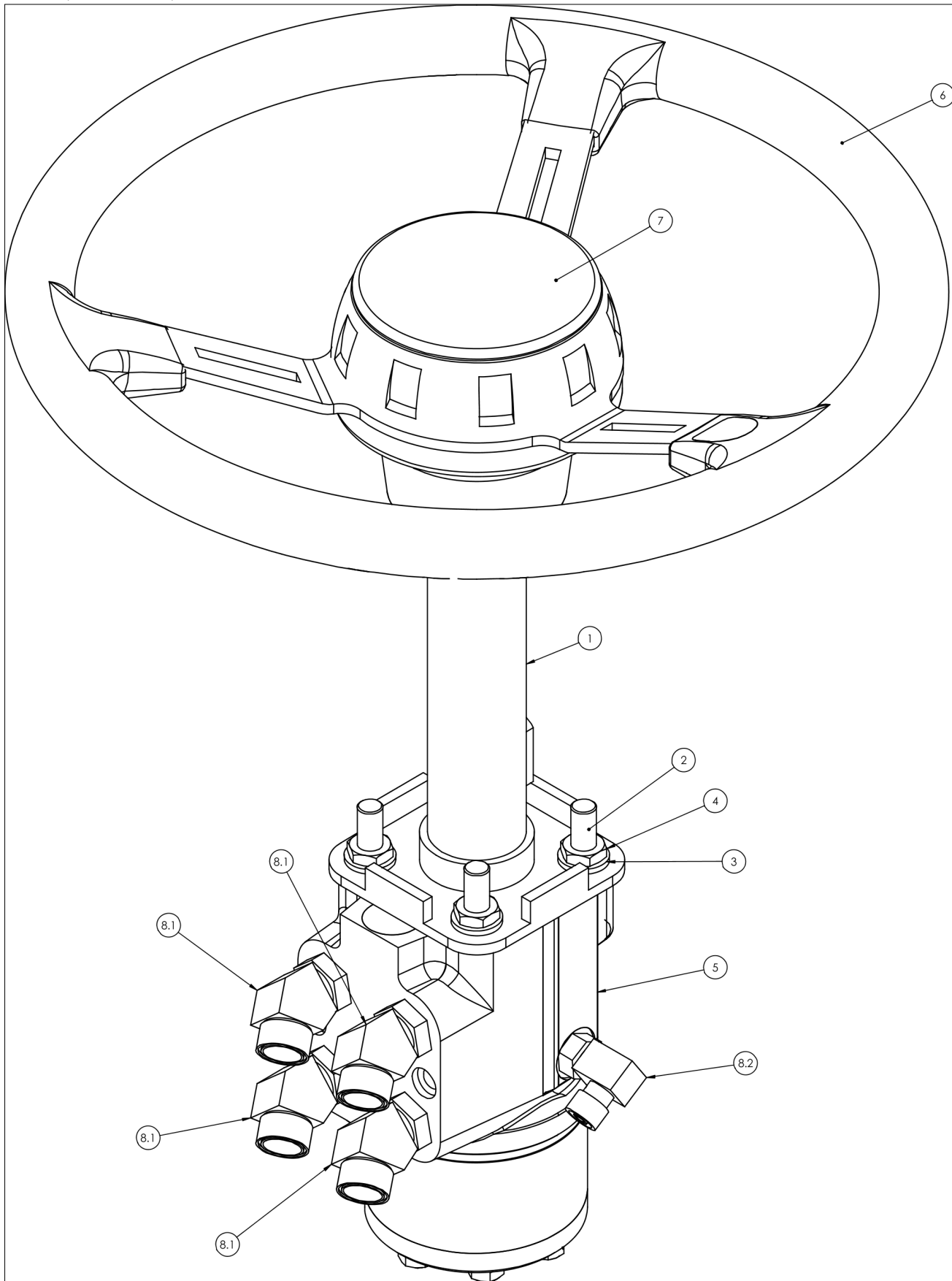


Item	Part No.	Name	Qty	Uom
48	11702-012	FTG, 90° ELBOW, 8MORFS X 10MORB	1	EA
49	11702-015	FTNG ELBOW 90 -10MBA-10MFS C5OLO	1	EA
50	11702-016	FITTING ELBOW 90 -12MBA-10MFS	1	EA
51	11702-019	FITTING ELBOW 90 -12MBA-12MFS	1	EA
52	11705-008	FTNG ELBOW 45 -08MBA-08MFS	4	EA
53	11705-009	FTNG ELBOW 45 -10MBA-08MFS V5OLO	1	EA
54	11705-011	FTNG ELBOW	2	EA
55	11712-008	FITTING ELBOW 90 BH -16MFS-16MFS	1	EA
56	11729-003	FTNG TEE -08FFSS-08MFS-08MFS	2	EA
57	11939-001	FTG, HOSE, 45 DEG -12JIC	1	EA
58	FLW025008CZ	WASHER FLAT .250 GR8 C	14	EA
59	FLW031308CZ	WASHER FLAT .313 GR8 C	10	EA
60	FLW037508CZ	WASHER FLAT .375 GR8 C	18	EA
61	FLW050008CZ	WASHER FLAT .500 GR8 C	9	EA
62	FLW075008CZ	WASHER FLAT .750 GR8 C	12	EA
63	HH0420F08CZ012	HHCS .250-20 F GR8 C .750	6	EA
64	HH0420P08CZ024	HHCS .250-20 P GR8 C 1.500	4	EA
65	10054-012	BOLT, SHCS, .250-20 UNC X 1.50, GR8, PLTD	2	EA
66	NL042008CZ	NUT HEX NL .250-20 GR8 C	4	EA
67	HH0518F08CZ010	HHCS .313-18 F GR8 C .625	6	EA
68	HH0518F08CZ012	HHCS .313-18 F GR8 C .750	2	EA
69	HH0518P08CZ048	HHCS .313-18 P GR8 C 3.000	2	EA
70	HH0616F08CZ012	HHCS .375-16 F GR8 C .750	11	EA
71	HH0616F08CZ016	HHCS .375-16 F GR8 C 1.000	2	EA

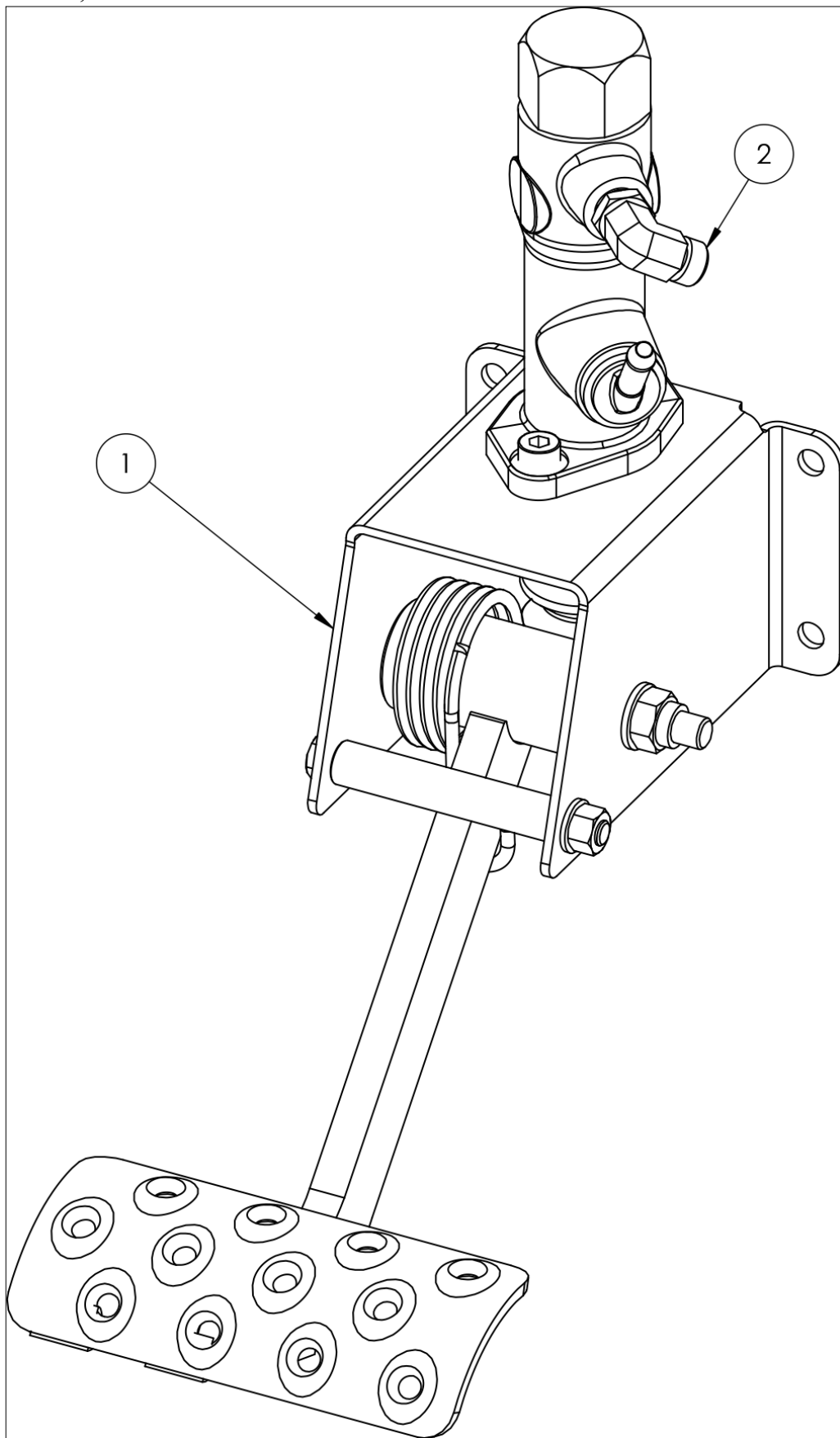
TRANSMISSION, AXLES & DRIVESHAFTS



STEERING, BRAKES, TIRES & WHEELS

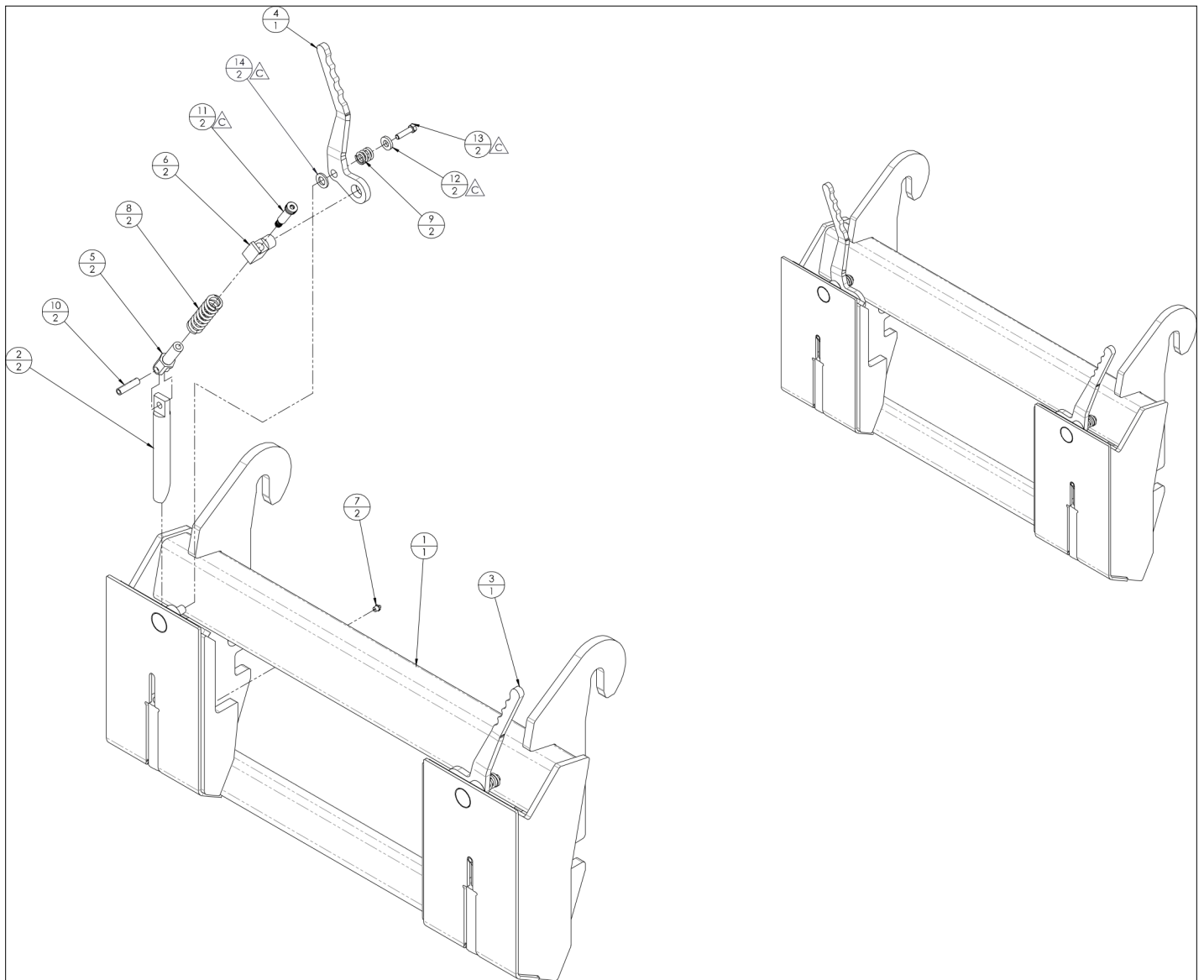


STEERING, BRAKES, TIRES & WHEELS



Item	Part No.	Name	Qty	Uom
52	18300-001	WARNING, FALLING HAZARD	2	EA
53	18402-000	DECAL, XID XTREME SMALL GREEN	1	EA

ATTACHMENTS



10304-006	4-1	11002-008	12-4
10404-040	5-7	11003-005	5-1, 5-2, 5-3
10404-130	5-6	11004-012	9-1, 9-2
10404-130-NS	5-4, 5-5	11015-008	6-5, 6-6, 6-7, 6-8, 6-9, 6-10, 6-11, 6-12
10405-020	5-4, 5-5, 5-6, 5-7	11015-010	5-4, 5-5, 5-6, 5-7, 6-1, 6-2, 6-3, 6-4, 6-5, 6-6, 6-7, 6-8, 6-9, 6-10, 6-11, 6-12
10826-016	12-6	11015-011	5-4, 5-5, 5-6, 5-7, 10-1
10830-001	6-5, 6-6, 6-7, 6-8, 6-9, 6-10, 6-11, 6-12	11015-012	5-1, 5-2, 5-3, 5-4, 5-5, 5-6, 5-7, 9-6
10867-003	10-1	11015-014	9-6
10900-003	5-1, 5-2, 5-3, 6-7, 6-8, 6-9, 6-10, 6-11, 6-12, 8-5	11018-010	4-1
10900-008	12-1, 12-3, 12-5	11034-000	5-4, 5-5, 5-6
10914-003	5-8, 6-9, 6-10, 6-11, 6-12	11205-025	12-4
10914-004	6-5, 6-6, 6-7, 6-8, 6-9, 6-10, 6-11, 6-12	11217-002	4-1, 12-1
10914-005	5-1, 5-2, 5-3, 6-1, 6-2, 6-3, 6-4, 8-7	11217-003	12-6
10914-006	4-1, 4-2, 5-1, 5-2, 5-3, 6-1, 6-2, 6-3, 6-4, 9-1, 9-2, 12-3	11258-001	12-4
10914-008	5-1, 5-2, 5-3, 6-1, 6-2, 6-3, 6-4, 9-1, 9-2	11258-002	12-4
10914-010	5-1, 5-2, 5-3	11352-009	5-1, 5-2, 5-3, 5-4, 5-5, 5-6, 6-1, 6-2, 6-3, 6-4, 9-1, 9-2
10915-012	9-1, 9-2	11352-031	5-1, 5-2, 5-3
10915-014	6-1, 6-2, 6-3, 6-4	11352-032	5-1, 5-2, 5-3
10928-005	6-14	11354-000	4-1, 4-2, 4-3, 4-8
10928-007	6-14	11355-000	4-1, 4-3, 4-8
10928-009	6-18	11355-002	4-2
10940-010	6-7, 6-8, 6-9, 6-10, 6-11, 6-12	11356-000	4-1, 4-2, 4-3, 4-8
10941-011	10-1	11357-000	4-8
11000-003	5-1, 5-2, 5-3, 5-4, 5-5, 5-6	11357-001	4-1, 4-2, 4-3
11000-004	4-1	11361-000	5-4, 5-5, 5-6
11000-005	4-1	11369-001	5-7
11001-001	6-5, 6-6, 6-7, 6-8, 6-9, 6-10, 6-11, 6-12	11369-003	5-1, 5-2, 5-3, 5-4, 5-5, 5-6, 5-7
11001-014	6-1, 6-2, 6-3, 6-4	11369-008	5-1, 5-2, 5-3
		11377-000	5-1, 5-2, 5-3
		11400-300	4-3, 4-6
		11402-175	4-3
		11403-062	6-5, 6-6, 6-7, 6-8, 6-9, 6-10, 6-11, 6-12

CLICK HERE TO **DOWNLOAD** THE COMPLETE MANUAL

- Thank you very much for reading the preview of the manual.
- You can download the complete manual from: www.heydownloads.com by clicking the link below



- Please note: If there is no response to CLICKING the link, please download this PDF first and then click on it.

CLICK HERE TO **DOWNLOAD** THE COMPLETE MANUAL