

# **XR1147 PARTS MANUAL**

CLICK HERE TO **DOWNLOAD** THE COMPLETE MANUAL

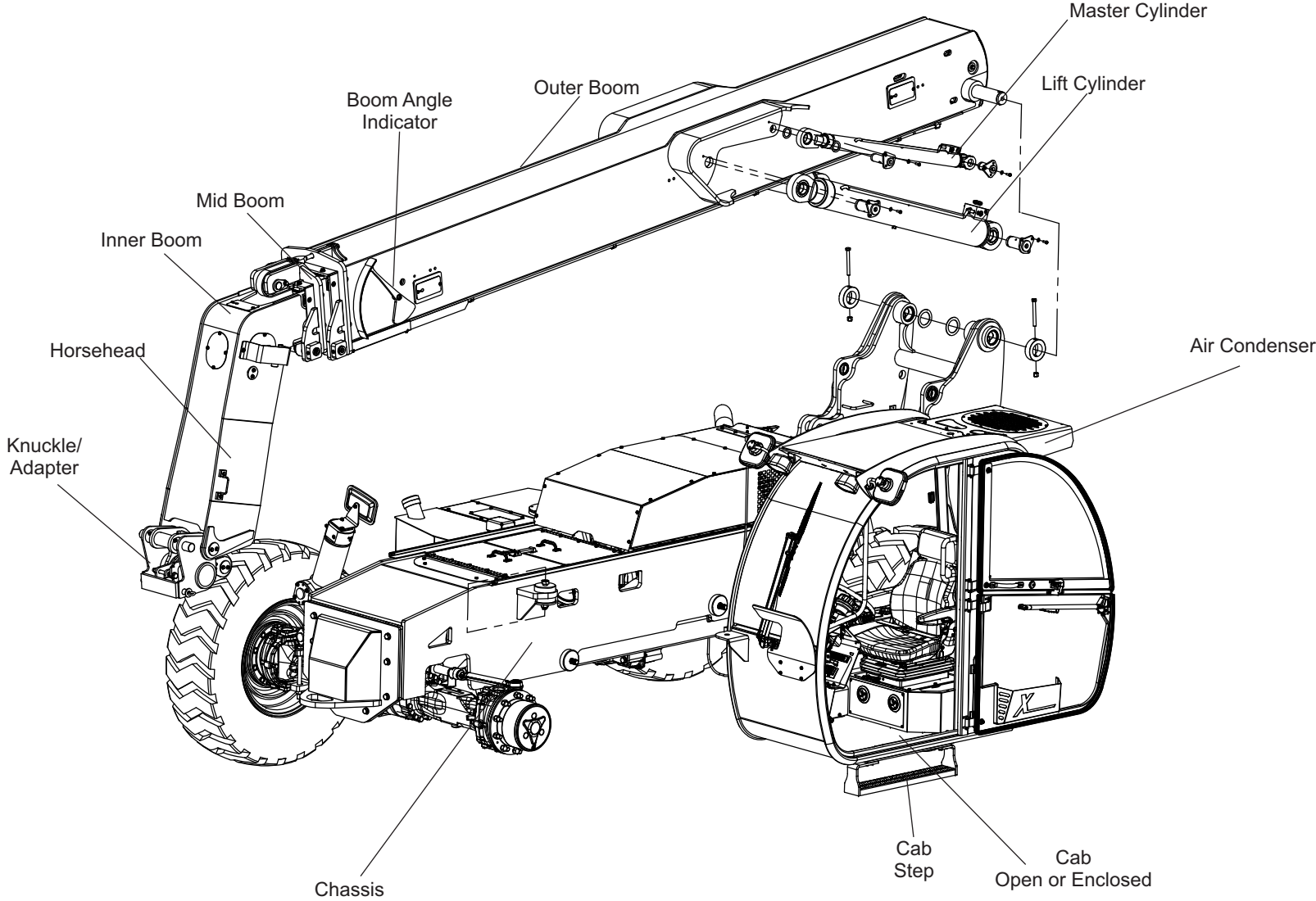
- Thank you very much for reading the preview of the manual.
- You can download the complete manual from: [www.heydownloads.com](http://www.heydownloads.com) by clicking the link below



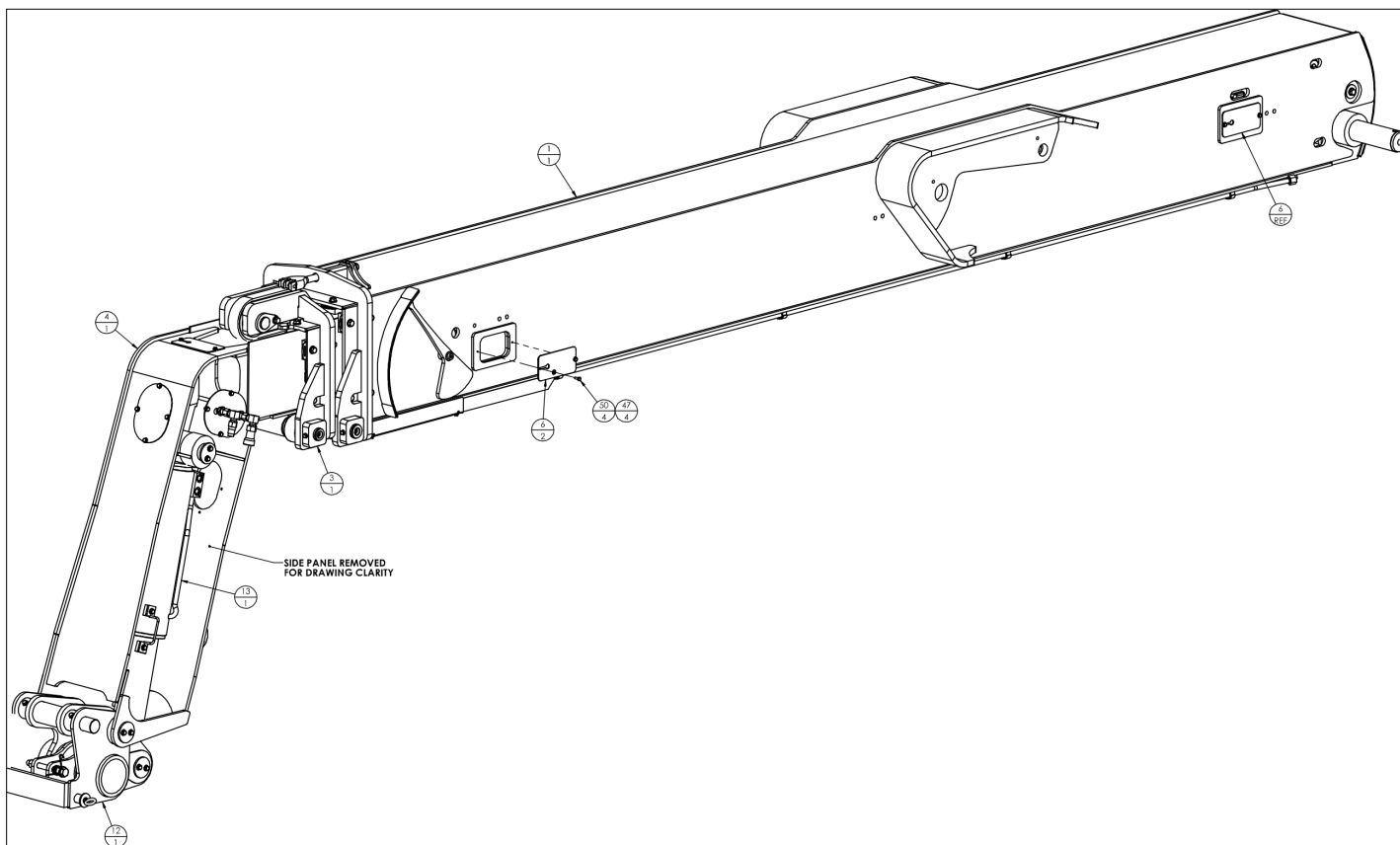
- Please note: If there is no response to CLICKING the link, please download this PDF first and then click on it.

CLICK HERE TO **DOWNLOAD** THE COMPLETE MANUAL

# XR1147 Component Identification



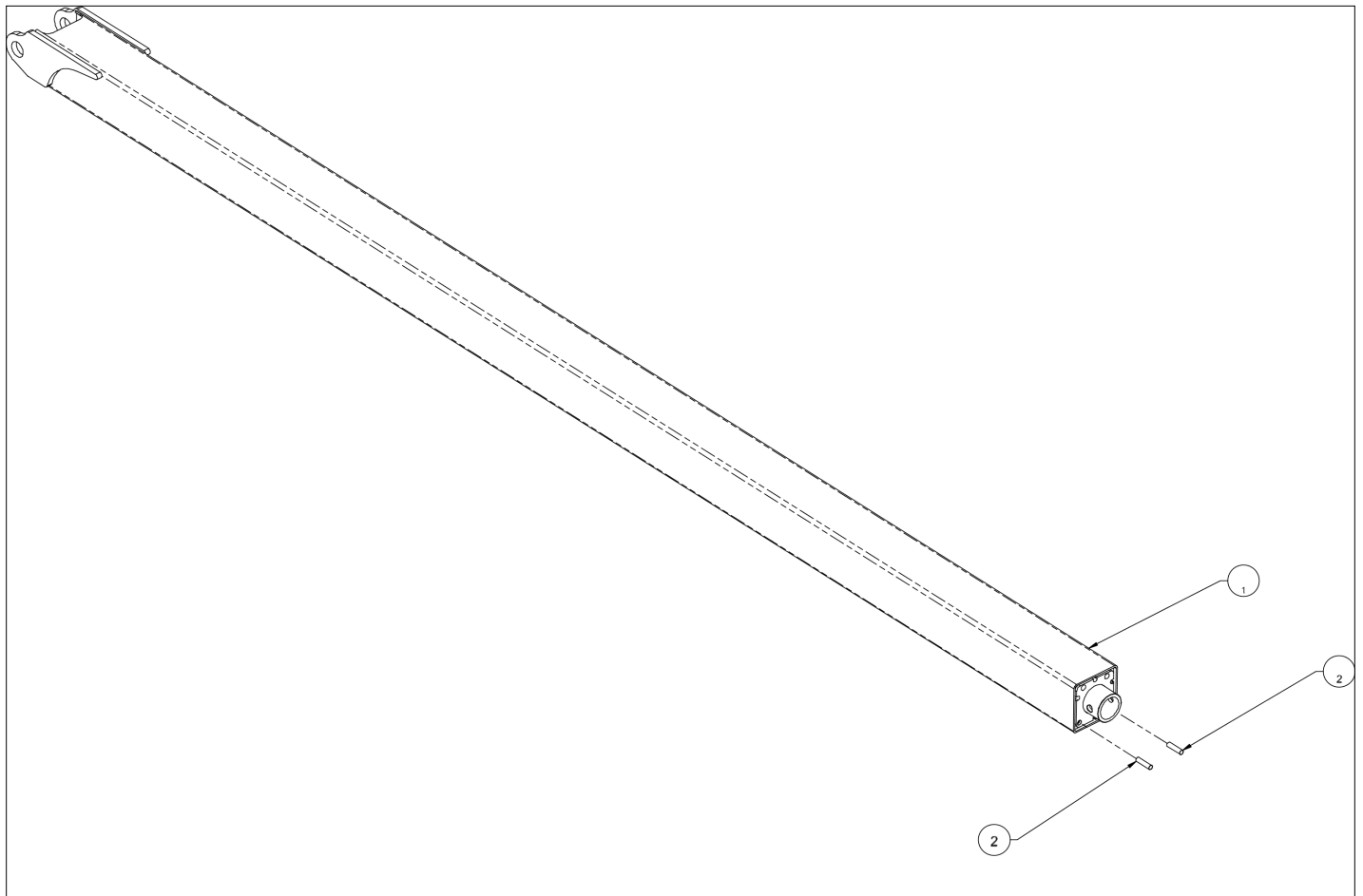
BOOM



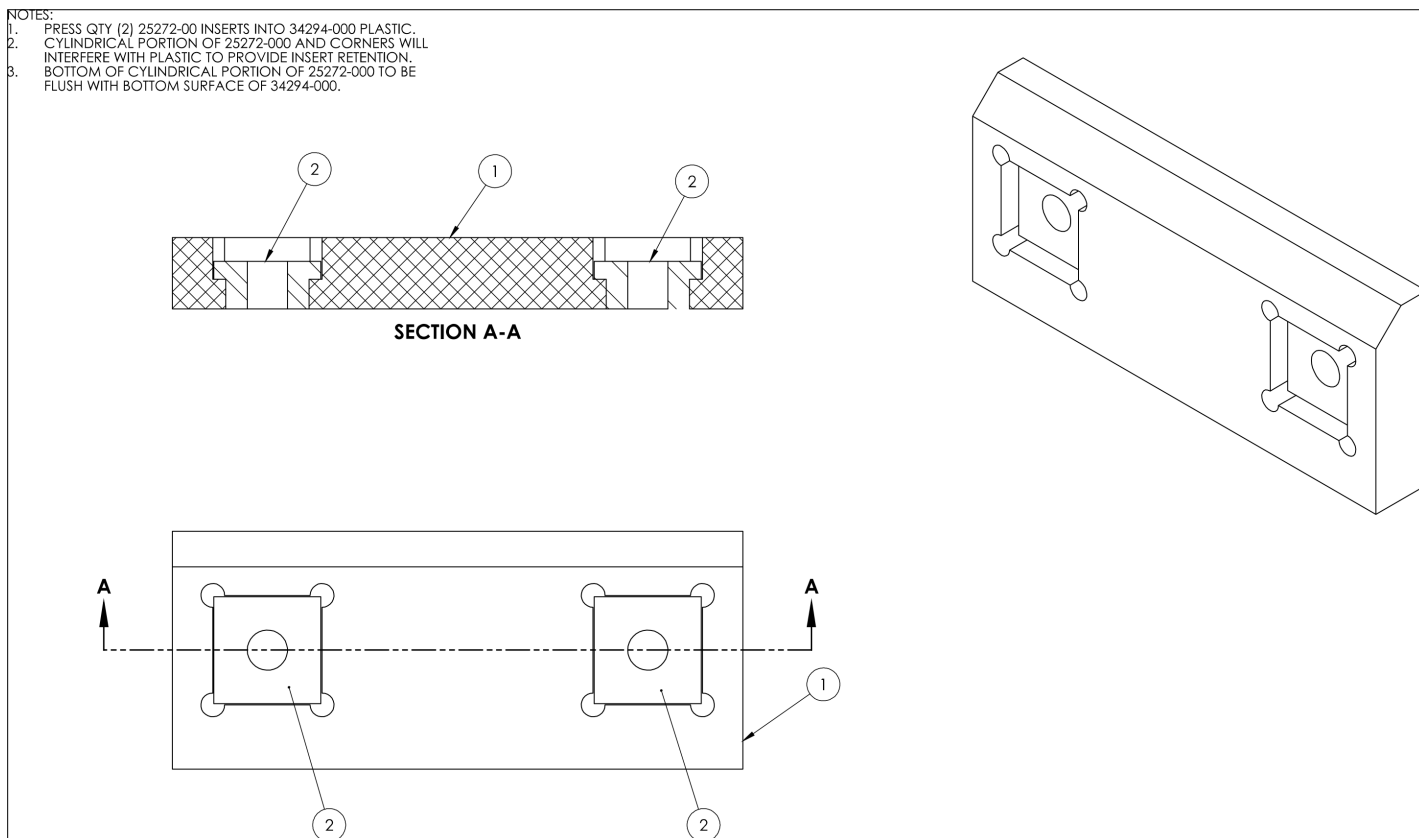
Item	Part No.	Name	Qty	Uom
-	35259-000 A	OPTION - SOLARGIZER 12V ALDEN		EA
1	31202-000	BAR 1 DIA C1018 MACH	4	EA
2	11363-003	CLAMP CUSHIONED 1/2 MCM 3225T4	2	EA
3	HH0518F08CZ008	HHCS .313-18 F GR8 C .500	4	EA
4	SOLARGIZER	SOLARGIZER		EA
5	FLW031308CZ	WASHER FLAT .313 GR8 C	4	EA

Item	Part No.	Name	Qty	Uom
1	33651-000	INNER BOOM SUB-ASSY	1	EA
2	25268-000	HOSE GUIDE	2	EA
3	25122-000	SLIDE BLOCK ASSEMBLY	6	EA
4	26075-000	INNER BOOM ROLLER PIN	1	EA
5	25133-000	ROLLER ASSEMBLY	2	EA
6	25289-000	SLIDE BLOCK SHIM	6	EA
7	26972-000	HOSE CLAMP ASSEMBLY	2	EA
8	11402-175	RETAINING RING EXT SPIRAL 1-3/4 DIA	2	EA
9	11910-000	FITTING GREASE 1/8 NPT STRAIGHT	2	EA
10	10900-006	NUT 3/8-16UNC REG HEX	2	EA
11	NL061608CZ	NUT HEX NL .375-16 GR8 C	2	EA
12	10002-028	SCREW 3/8-16UNC HHC X 3-1/2	2	EA
13	10002-018	SCREW 3/8-16UNC HHC X 2-1/4	2	EA
14	972479	BLT HEXHD .375-16 1.25 GR5	2	EA
15	HH0518P08CZ048	HHCS .313-18 P GR8 C 3.000	4	EA
16	FLW050008CZ	WASHER FLAT .500 GR8 C	14	EA
17	FLW037508CZ	WASHER FLAT .375 GR8 C	8	EA
18	FLW031308CZ	WASHER FLAT .313 GR8 C	4	EA
19	HH0813F08CZ020	HHCS .500-13 F GR8 C 1.250	4	EA
20	HH0813P08CZ076	HHCS .500-13 P GR8 C 4.750	2	EA
21	10105-007	SCREW 1/2-13UNC SBHC X 7/8	8	EA
22	25269-000	CHAIN ANCHOR	1	EA
23	25273-000	CHAIN ANCHOR	1	EA
24	26368-000	PIN BOOM HOOK	1	EA
25	12213-008	HOOK, LIFTING	1	EA
26	11204-020	ROLLPIN 3/8 X 2-1/2	2	EA
27	32144-000	KIT, INNER BOOM FITTING 4030	1	EA
28	11728-000	FITTING, ELBOW 90 -08MFS - 08FFSS	2	EA

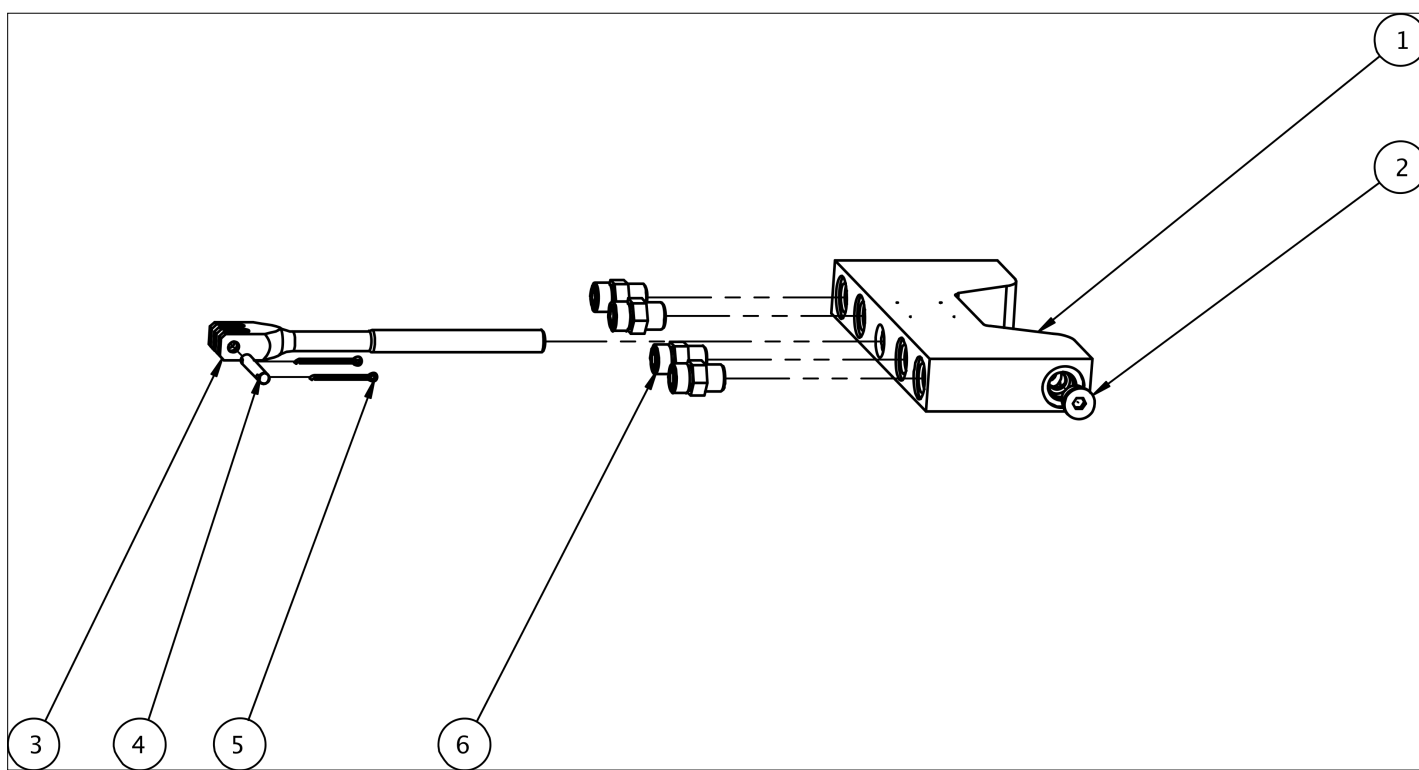
BOOM



BOOM



BOOM

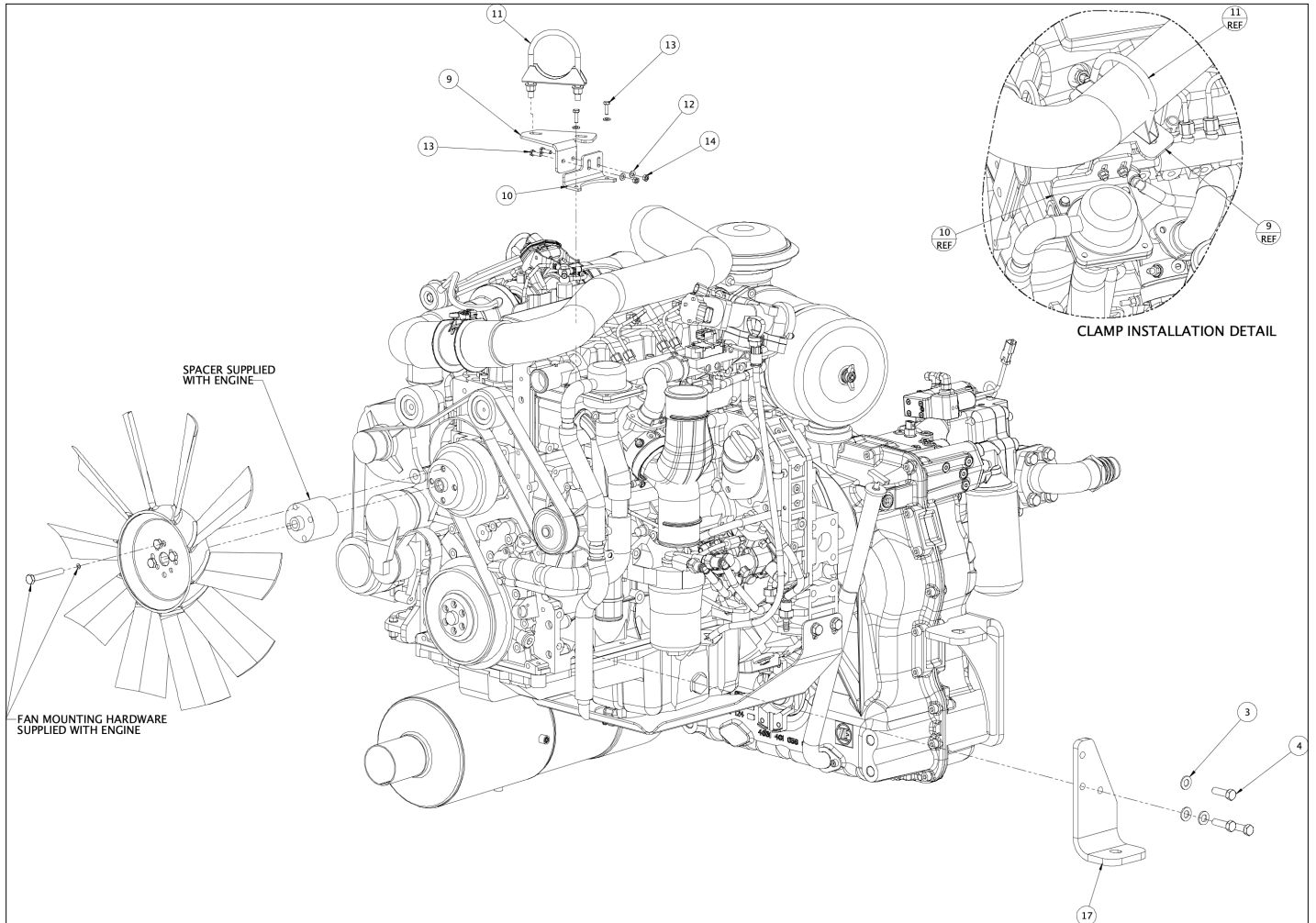


Item	Part No.	Name	Qty	Uom
-	34716-000 A	TRANSDUCER MOUNT, BASE ASSEMBLY		EA
1	34715-000	MOUNT, ROTA SENSOR, BASE MACHINED	1	EA
2	25272-000	SLIDE BLOCK INSERT	2	EA

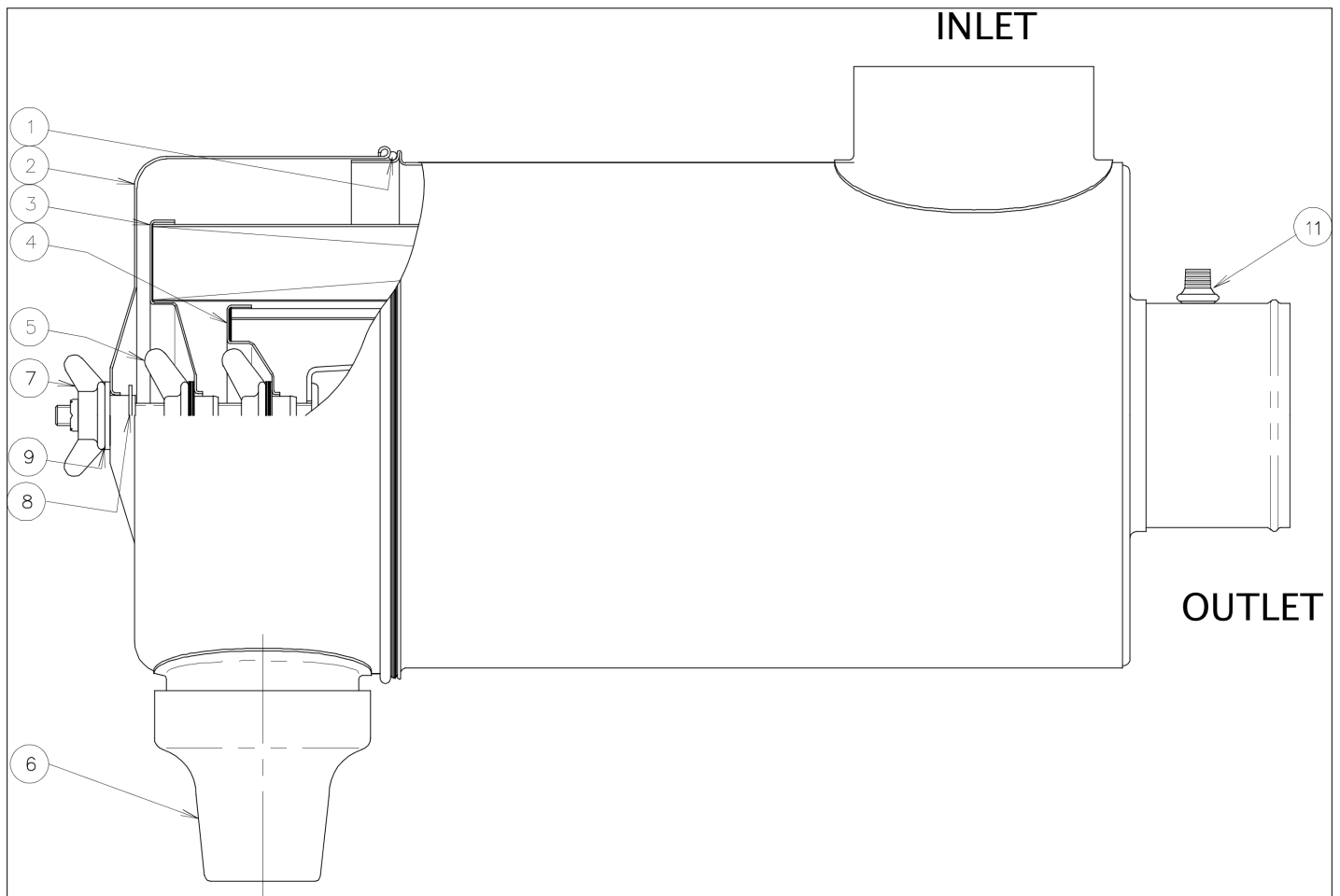
Item	Part No.	Name	Qty	Uom
-	34002-010 R6	CHASSIS ASSEMBLY - ENGINE, 74HP		EA
1	34003-010	CHASSIS ASSY AXLES 1147	1	EA
2	14590-001	DRIVE SHAFT FRONT 1055	1	EA
3	A14590-001-10	FUEL FILTER	4	EA
4	14591-000	DRIVE SHAFT 842/1045 RR 139888	1	EA
5	34366-000	WELD'T, ENGINE MOUNT, 74HP XR1056	1	EA
6	12353-000	ISOLATOR MOUNT 51510-3	3	EA
7	34361-000	BRKT, COOLER MNT, 74HP XR1056 CU, RH	1	EA
8	34434-000	WELD'T, COOLER MNT, XR1055 74HP CU	1	EA
9	34361-001	BRKT, COOLER MNT, 74HP XR1056 CU, LH	1	EA
10	12350-000	ISOLATOR MOUNT BARRY*	2	EA
11	A13988-010	FUEL FILTER	1	EA
12	A13988-030	ENGINE OIL FILTER REMOTE MNT	1	EA
13	14117-001	TRANSMISSION ECU	1	EA
14	A13988-020	ENGINE ECU	1	EA
15	33426-000	BRACKET ASSEMBLY, ECM MOUNT, CUMMINS	1	EA
16	13100-001	CONTACTOR RELAY NO SPST	1	EA
17	11549-008	FTNG 1/4NPT 3/8BARB	2	EA
18	11580-020	FTNG STR 3/4MP-3/4 BARB HOSE	2	EA
19	33444-001	WELD'T, UPPER COOLER MNT, XR1055 74HP	1	EA
20	12354-000	ISOLATOR MOUNT	1	EA
21	34067-001	COOLER COVER ASSY	1	EA
22	NL042008CZ	NUT HEX NL .250-20 GR8 C	6	EA
23	33418-000	WELD'T, DOC MOUNT, 842 CUMMINS	1	EA

Item	Part No.	Name	Qty	Uom
23	14451-000	BATTERY J-BOLT 10 DEKA 06155	2	EA
24	26613-000	BATTERY DISCONNECT SWITCH ASSY	1	EA
25	33445-000	ENGINE/TRAN 74HP 3.8 CU/ZF	1	EA
26	26167-001	BATTERY HOLD DOWN DBL	1	EA
27	33424-000	CROSS-OVER PIPE, 842 CUMMINS	1	EA
28	33104-002	BRKT, TAILPIPE SUPPORT	1	EA
29	14419-000	CLAMP EXH 3.0 DIA 733-5772	4	EA
30	33423-000	TUBE, TAILPIPE 842 CUMMINS	1	EA
31	FLW025008CZ	WASHER FLAT .250 GR8 C	14	EA
32	NL042008CZ	NUT HEX NL .250-20 GR8 C	4	EA
33	HH0420P08CZ022	HHCS .250-20 P GR8 C 1.375	4	
34	FLW037508CZ	WASHER FLAT .375 GR8 C	38	EA
35	NL061608CZ	NUT HEX NL .375-16 GR8 C	10	EA
36	10002-011	SCREW 3/8-16UNC HHC X 1-3/8	6	EA
37	FLW050008CZ	WASHER FLAT .500 GR8 C	10	EA
38	HH0616F08CZ016	HHCS .375-16 F GR8 C 1.000	8	EA
39	12358-000	RUBBER ISOLATOR	4	EA
40	HH0420F08CZ020	HHCS .250-20 F GR8 C 1.250	4	EA
41	HH0616F08CZ008	HHCS .375-16 F GR8 C .500	4	EA
42	11015-010	WASHER M8 FLAT METRIC	4	EA
43	HH0812F10CZ020	HHCS M8X1.25 F 10.9 C 20	4	EA
44	972479	BLT HEXHD .375-16 1.25 GR5	6	EA
45	FLW031308CZ	WASHER FLAT .313 GR8 C	10	EA
46	HH0518F08CZ010	HHCS .313-18 F GR8 C .625	8	EA
47	HH0518F08CZ012	HHCS .313-18 F GR8 C .750	2	EA
48	HH0813F08CZ022	HHCS .500-13 F GR8 C 1.375	4	EA
49	FLW0010STCZ	WASHER FLAT #10 STL C	8	EA
50	NL1024STCZ	NUT HEX NL 10-24 STL C	4	EA

Item	Part No.	Name	Qty	Uom
82	33503-004	BRKT, ZF TRANS CONT MNT BLK	1	EA
83	34462-000	BRKT, HOSE SUPPORT	1	EA
84	11361-000	CLAMP 1-1/2 LOOP McM 8863T81	1	EA
85	HH0616F08CZ016	HHCS .375-16 F GR8 C 1.000	1	EA
86	11549-008	FTNG 1/4NPT 3/8BARB	2	EA
87	11705-014	FITTING ELBOW 45 -12MBA- 12MFS	2	EA
88	34464-000	SPACER, .50 THK X 4.25 LG	2	EA
89	A13988-010	FUEL FILTER	1	EA
90	25622-002	AIR COOLER HOSE - OUT	2	EA
91	986009	WSHR FLAT 10	6	EA
92	3220325	BOOT EYELET TERM 4-1 AWG RED	2	EA

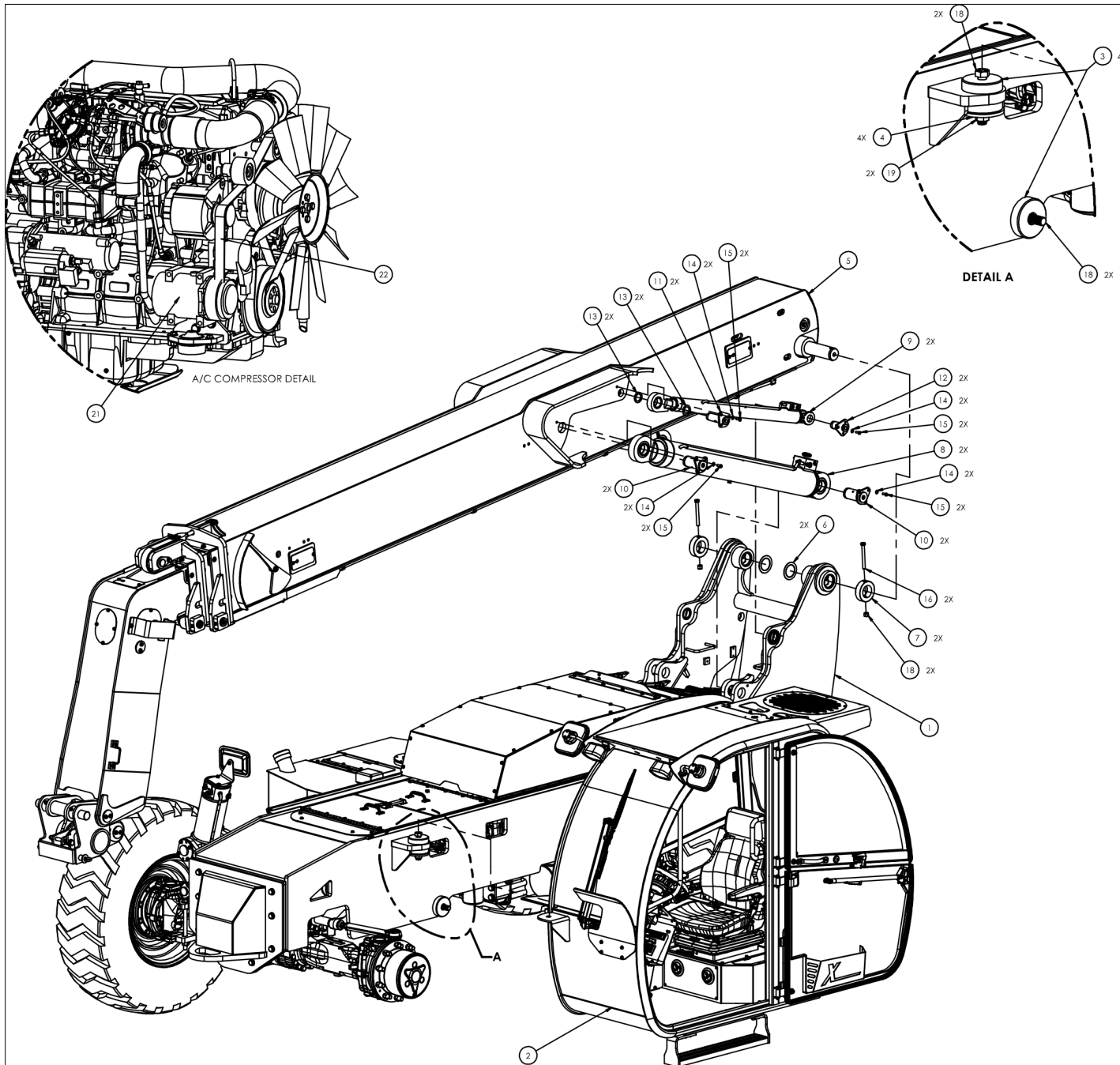


ENGINE

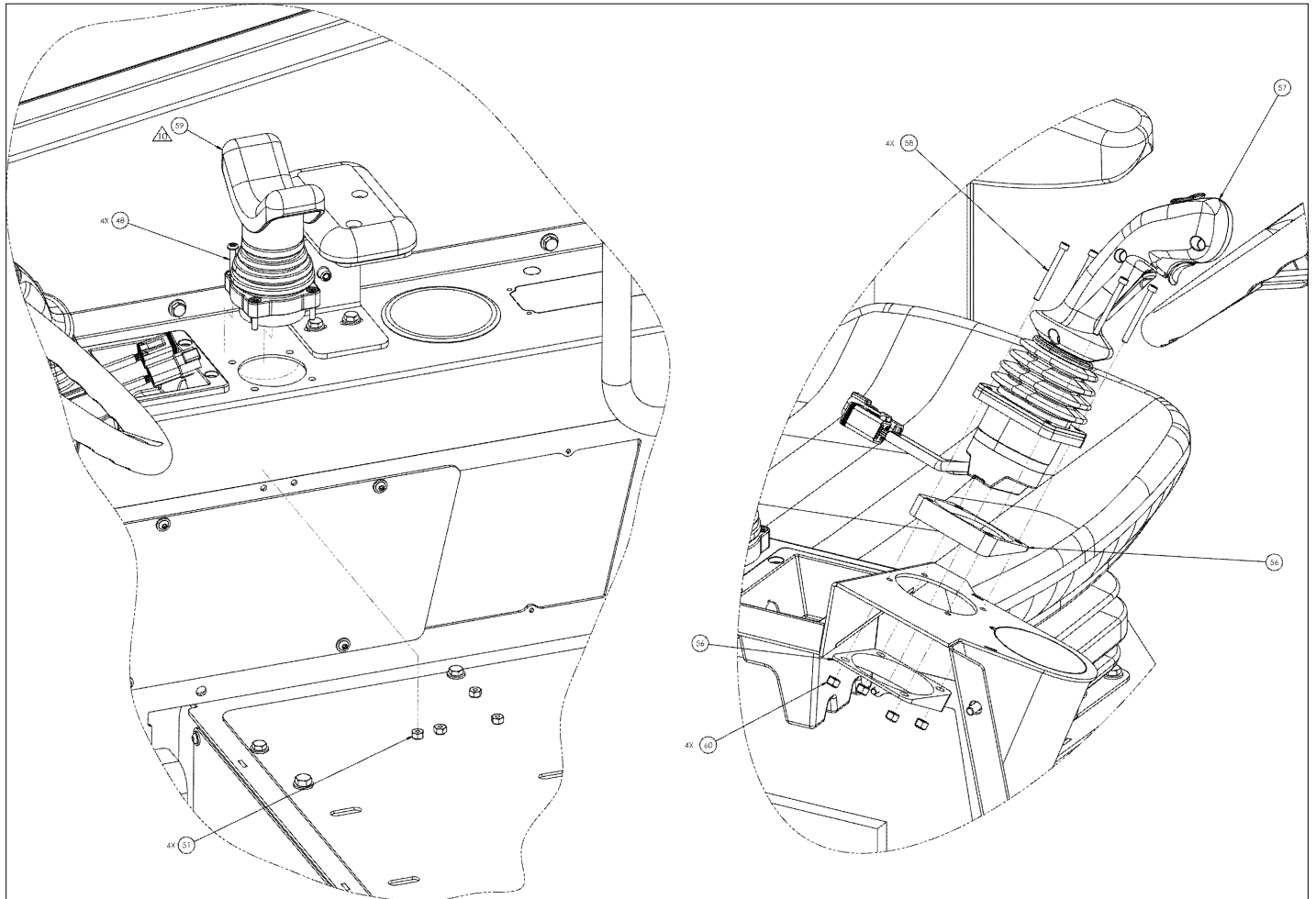


Item	Part No.	Name	Qty	Uom
23	50441-999	WIRE 16AWG BLACK THHN*	A/R	EA
24	34313-200	CHASSIS HOSE KIT 74 HP XR1147	1	EA
25	12120-999	GUARD HOSE TEXS31 (1.22)	A/R	EA
26	12142-999	GUARD HOSE WRAP SL-4.0- 1050B	A/R	EA
27	12231-999	UNIVIS N 46	69.85	EA
28	12146-999	OIL ENG 15W40 LOW ASH CJ-4	A/R	EA
29	12152-999	OIL ATF DEXTRON III	A/R	EA
30	12153-999	COOLANT ANTIFRZE 50/50 PINK	A/R	EA
31	13511-999	DEF FLUID	A/R	EA
32	24969-000	MANUAL OPERATIONS XR1147	1	EA
33	24997-000	MANUAL, AEM SAFETY	1	EA
34	24998-000	MANUAL RT SAFETY	1	EA

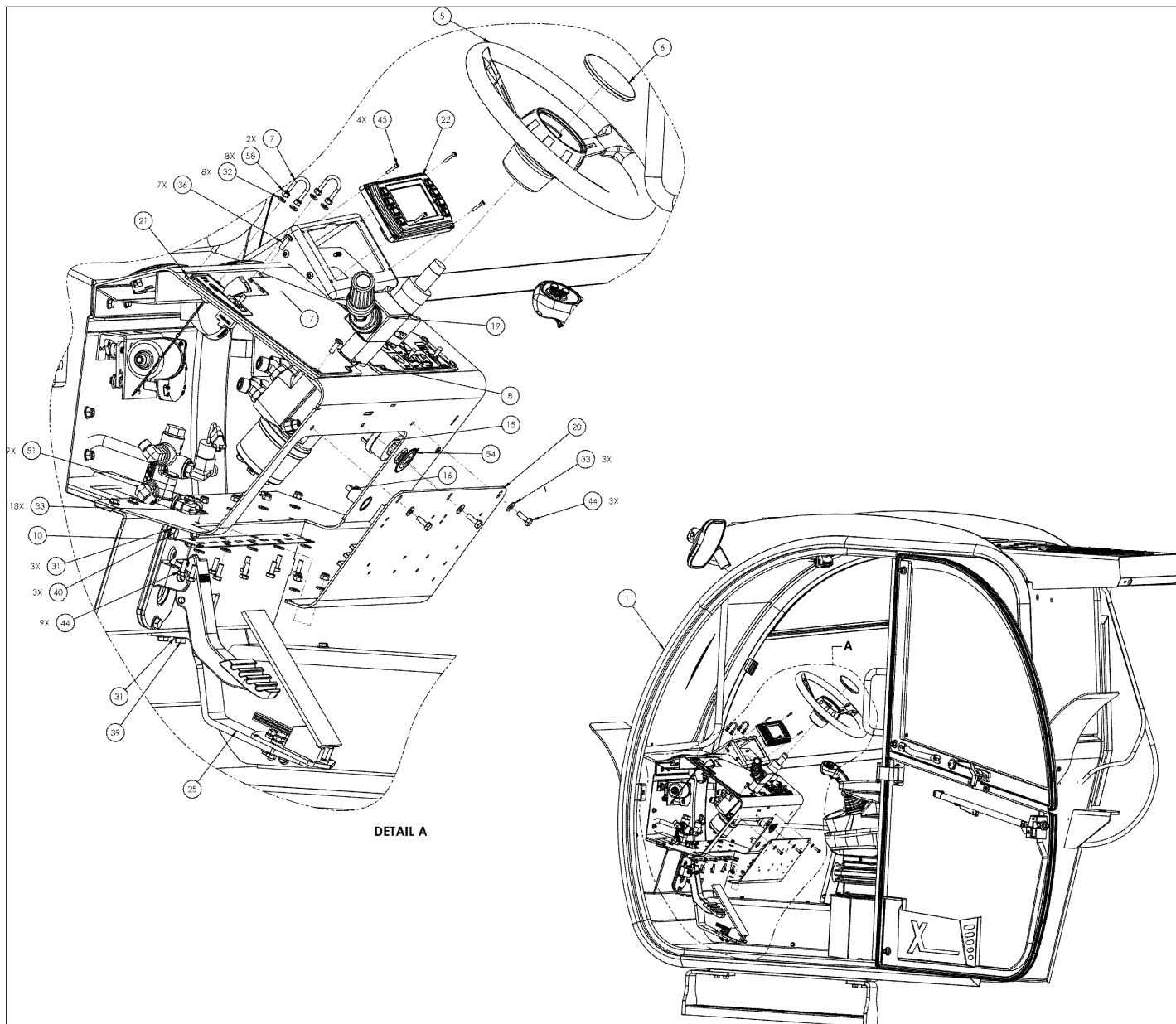
CABIN & COVERS



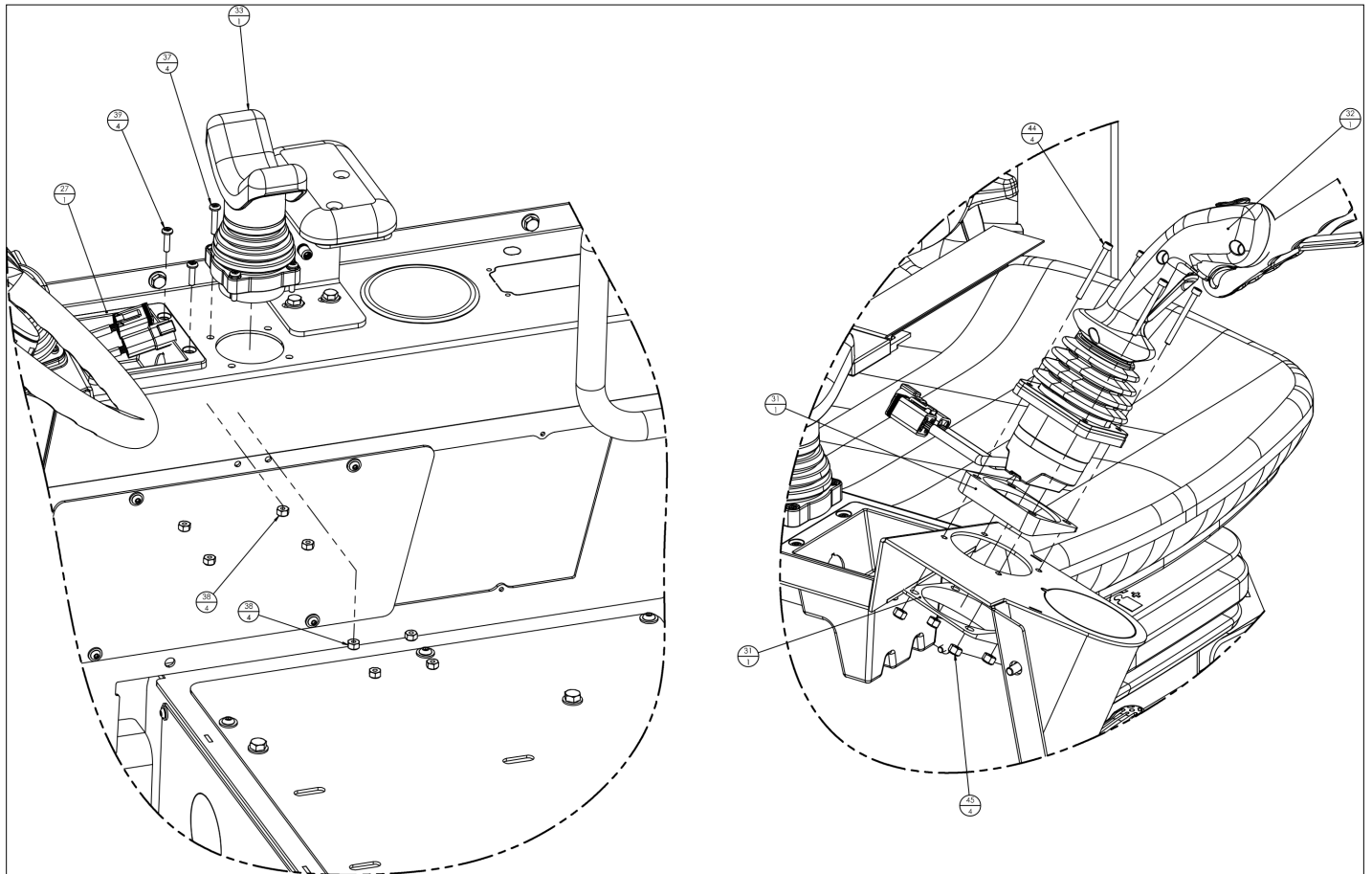
Item	Part No.	Name	Qty	Uom
25	13300-000	MANUAL CASE-LARGE	1	EA
26	14659-000	INDICATOR SIDE SLOPE	1	EA
27	25215-004	BRAKE VALVE ASSEMBLY	1	EA
28	10255-006	SCREW, #12-24 X .75 LG, SS BH HEX DRIVEN	4	EA
29	25646-000	SPLASH GUARD GRY	2	EA
30	10012520	HOLDER CELL PHONE	1	EA
31	13163-000	PLATE KEY SWITCH HOBBS*	1	EA
32	34661-000	SPACER, MOUNTING WEDGE	2	EA
33	12836-000	JOYSTICK, DUAL AXIS	1	EA
34	10254-006	SCREW 1/4-20UNC PHM X 3/4	10	EA
35	FLW037508CZ	WASHER FLAT .375 GR8 C	7	EA
36	FLW0010STCZ	WASHER FLAT #10 STL C	14	EA
37	FLW025008CZ	WASHER FLAT .250 GR8 C	23	EA
38	FLW031308CZ	WASHER FLAT .313 GR8 C	24	EA
39	11015-008	WASHER M6 FLAT*	4	EA
40	10251-005	SCREW #6-32 UNC PAN HD X 5/8LG	3	EA
41	10253-005	SCREW 10-24UNC PHM X 5/8	2	EA
42	10053-016	BOLT, SCHS #10-24 UNC X 1" GR8 PLATED	6	EA
43	HH0610F10CZ020	HHCS M6X1 F 10.9 C 20	4	EA
44	HH0420F08CZ012	HHCS .250-20 F GR8 C .750	14	EA
45	HH0518F08CZ020	HHCS .313-18 F GR8 C 1.250	8	EA
46	HH0518F08CZ012	HHCS .313-18 F GR8 C .750	4	EA
47	HH0616F08CZ016	HHCS .375-16 F GR8 C 1.000	4	EA
48	972479	BLT HEXHD .375-16 1.25 GR5	3	EA
49	10051-006	SCREW #6-32UNC SHC X 3/4	4	EA
50	10253-008	SCREW 10-24UNC PHM X 1	4	EA
51	10908-001	NUT 6-32UNC HEX LOCK REG	5	EA
52	NL1024STCZ	NUT HEX NL 10-24 STL C	14	EA



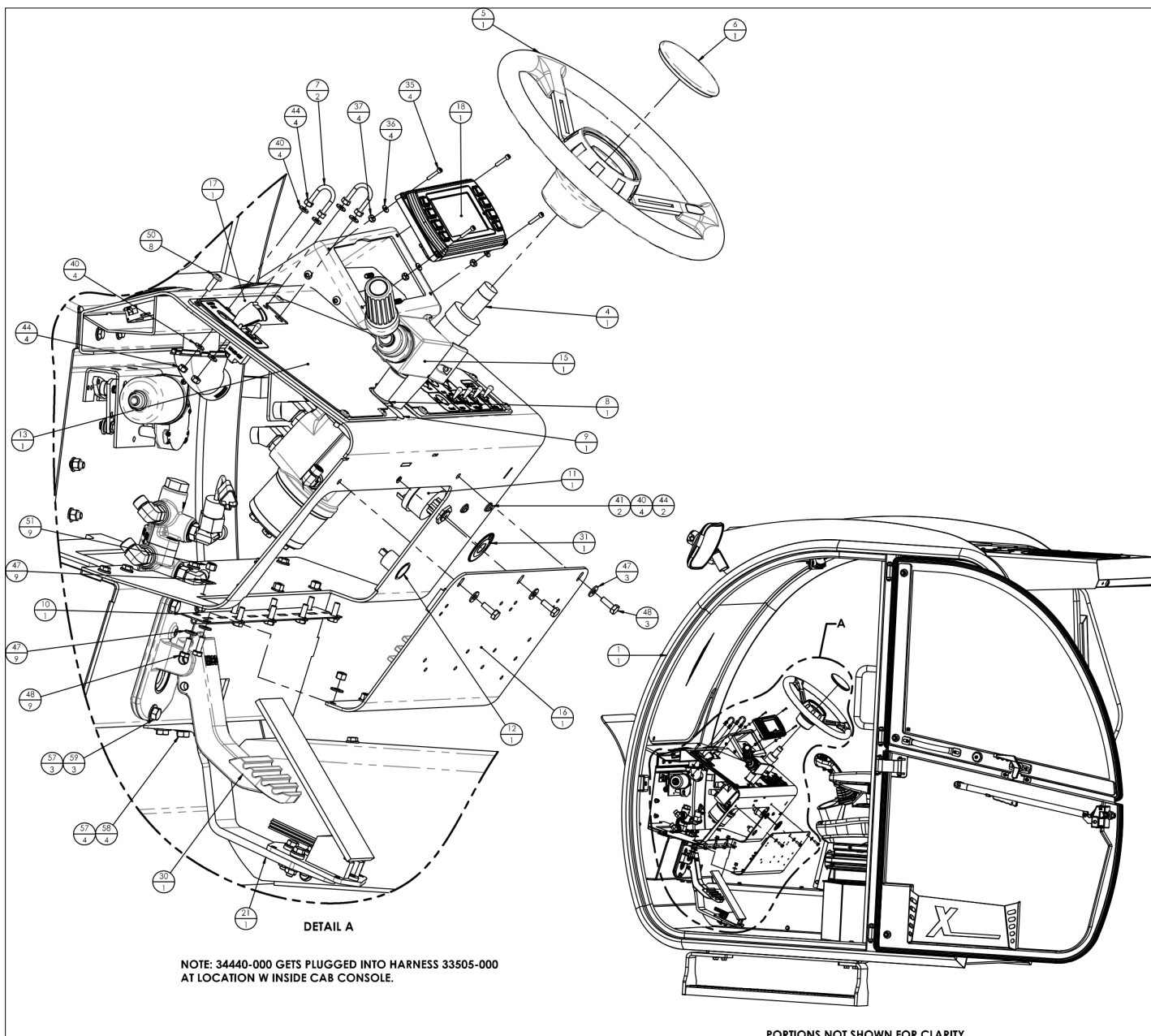
CABIN & COVERS



Item	Part No.	Name	Qty	Uom
24	13417-000	LIGHT WORK DMK #CLD-131-2 SVC USE -SP	2	EA
25	13300-000	MANUAL CASE-LARGE	1	EA
26	14659-000	INDICATOR SIDE SLOPE	1	EA
27	13163-000	PLATE KEY SWITCH HOBBS*	1	EA
28	34661-000	SPACER, MOUNTING WEDGE	2	EA
29	12836-000	JOYSTICK, DUAL AXIS	1	EA
30	25646-000	SPLASH GUARD GRY	1	EA
31	25646-003	SPLASH GUARD, ENCLOSED CAB, FRONT GRY	1	EA
32	10012520	HOLDER CELL PHONE	1	EA
33	25215-004	BRAKE VALVE ASSEMBLY	1	EA
34	34681-000	ASSY GT JOYSTICK SWAY	1	EA
35	10051-006	SCREW #6-32UNC SHC X 3/4	4	EA
36	11001-001	WASHER #6 SAE FLAT ASTM	4	EA
37	10908-001	NUT 6-32UNC HEX LOCK REG	4	EA
38	SH0832PA5CZ028	SHCS 8-32 P A574 C 1.750	4	
39	NL0832STCZ	NUT HEX NL #8-32 STL C	4	EA
40	FLW0010STCZ	WASHER FLAT #10 STL C	18	EA
41	10253-005	SCREW 10-24UNC PHM X 5/8	2	EA
42	10053-016	BOLT, SCHS #10-24 UNC X 1" GR8 PLATED	6	EA
43	10253-008	SCREW 10-24UNC PHM X 1	4	EA
44	NL1024STCZ	NUT HEX NL 10-24 STL C	18	EA
45	10253-006	SCREW 10-24UNC PHM X 3/4	4	EA
46	10255-006	SCREW, #12-24 X .75 LG, SS BH HEX DRIVEN	4	EA
47	FLW025008CZ	WASHER FLAT .250 GR8 C	31	EA
48	HH0420F08CZ012	HHCS .250-20 F GR8 C .750	12	EA
49	HH0420F08CZ016	HHCS .250-20 F GR8 C 1.000	6	EA
50	10254-006	SCREW 1/4-20UNC PHM X 3/4	8	EA



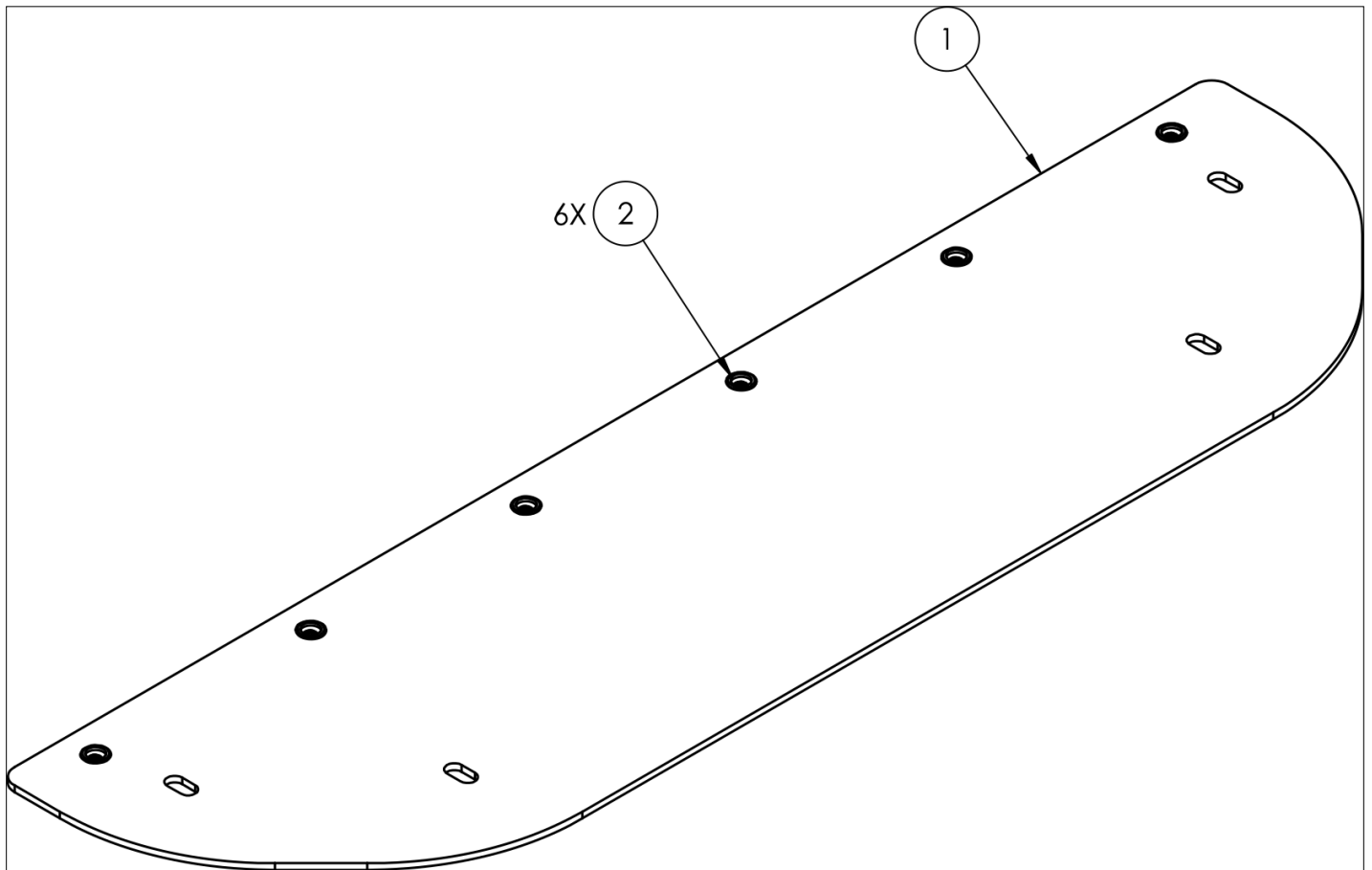
CABIN & COVERS

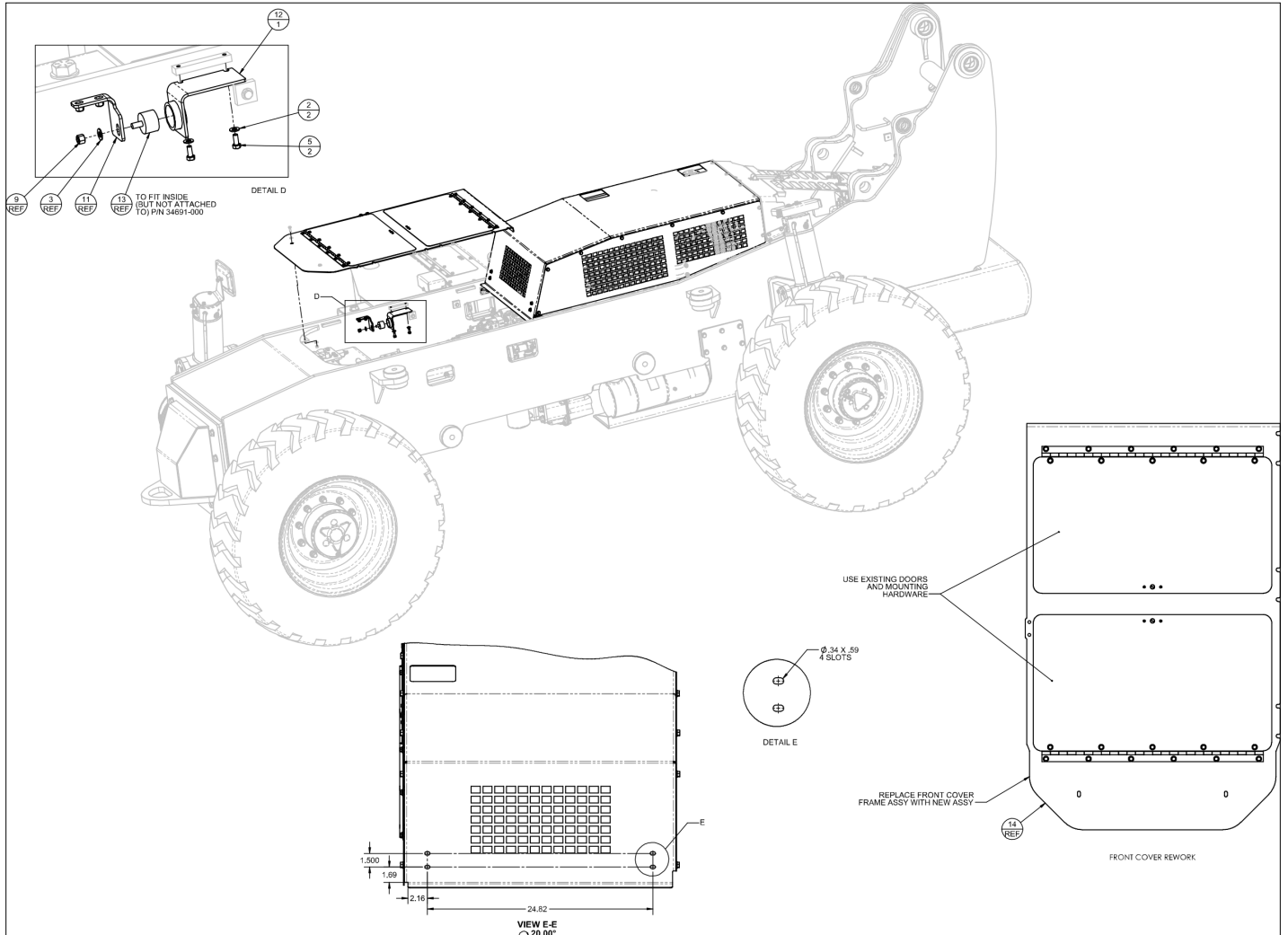




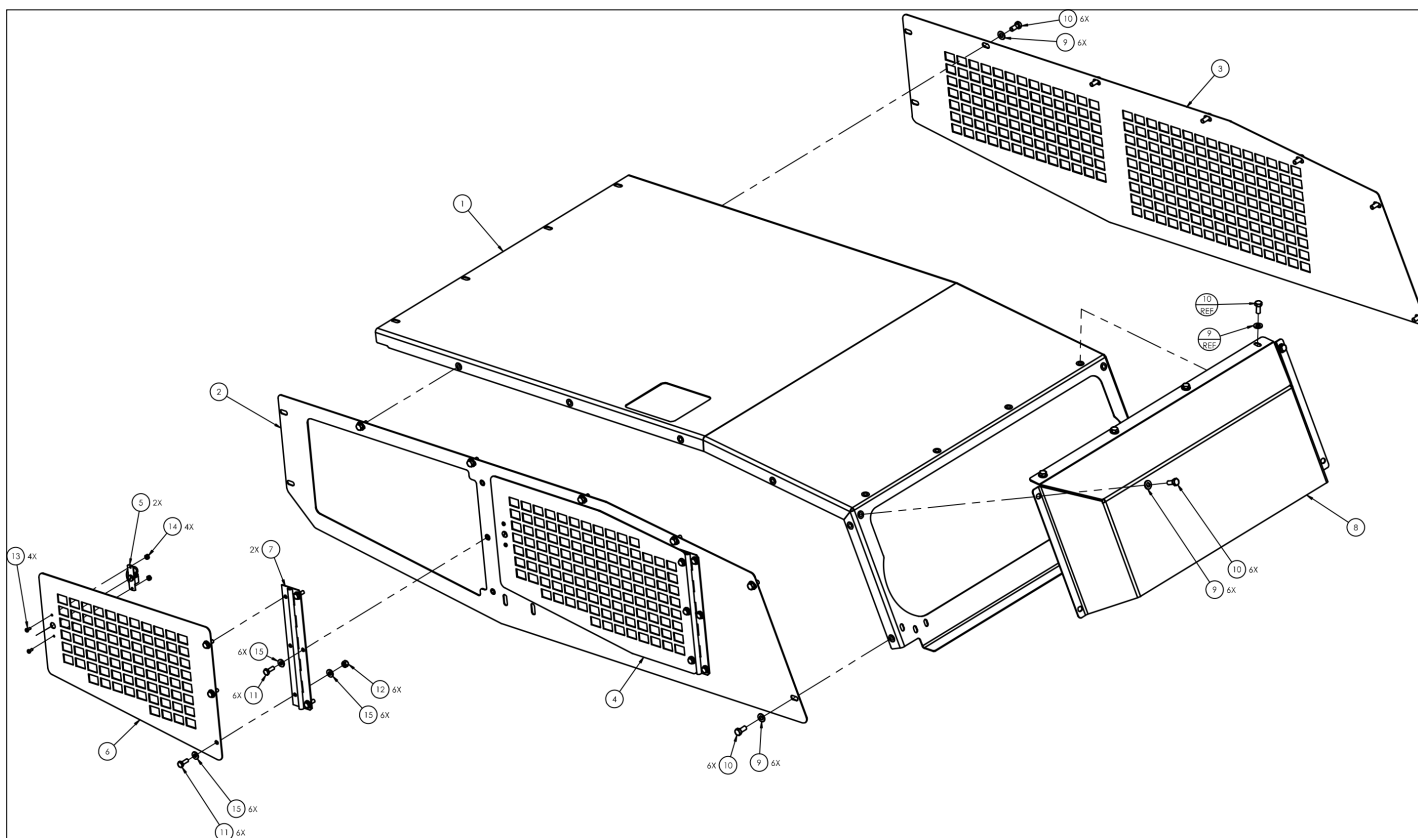
Item	Part No.	Name	Qty	Uom
-	34011-010 R3	CHASSIS ASSEMBLY - COVERS 120 HP XR1147		EA
1	34012-010	ASSY CHASSIS ENGINE 1147 120HP	1	EA
2	34694-000	ASSY, FRONT COVER W/DOORS	1	EA
3	34405-000	BRKT, ENG COVER MNT, 120HP XR1055	1	EA
4	34395-000	ASSY COOLER COVER, 120HP 1055	1	EA
5	12354-000	ISOLATOR MOUNT	2	EA
6	34398-000	UPPER COOLER MOUNT WELD BLK	1	EA
7	34083-000	BATTERY COVER ASSY 1056	1	EA
8	34076-001	ASSY, REAR COVER	1	EA
9	12364-000	ISOLATOR MOUNT LORD BUSHNG	4	EA
10	12365-000	ISOLATOR WASHER LORD BUSHNG	4	EA
11	34413-000	HYD/FUEL TANK ASSY 1055 120HP	1	EA
12	FLW031308CZ	WASHER FLAT .313 GR8 C	32	EA
13	HH0518F08CZ016	HHCS .313-18 F GR8 C 1.000	2	EA
14	NL051808CZ	NUT HEX NL .313-18 GR8 C	4	EA
15	HH0518F08CZ010	HHCS .313-18 F GR8 C .625	6	EA
16	HH0420F08CZ016	HHCS .250-20 F GR8 C 1.000	2	EA
17	FLW025008CZ	WASHER FLAT .250 GR8 C	14	EA
18	NL042008CZ	NUT HEX NL .250-20 GR8 C	7	EA
19	HH0420F08CZ012	HHCS .250-20 F GR8 C .750	5	EA
20	FLW100008CZ	WASHER FLAT 1.000 GR8 C	4	EA
21	NL160808CZ	NUT HEX NL 1.000-8 GR8 C	4	EA
22	27262-000	BRACKET, MIRROR MOUNTING	1	EA
23	13425-000	MIRROR 10 X 6-1/2 RECTANGULAR	1	EA

CABIN & COVERS





CABIN & COVERS



Item	Part No.	Name	Qty	Uom
1	34272-000	ASSY, COVER, COOLER	1	EA
2	26014-000	SHROUD MOUNTING BRACKET	2	EA
3	13552-000	TOGGLE LATCH ASSY DE-STA- CO	1	EA
4	FLW0010STCZ	WASHER FLAT #10 STL C	4	EA
5	10253-005	SCREW #10-24UNC PHM X 5/8	2	EA
6	FLW031308CZ	WASHER FLAT .313 GR8 C	8	EA
7	HH0518F08CZ016	HHCS .313-18 F GR8 C 1.000	4	EA
8	HN051808CZ	NUT HEX .313-18 GR8 C	4	EA
9	NL1024STCZ	NUT HEX NL 10-24 STL C	2	EA

CLICK HERE TO **DOWNLOAD** THE COMPLETE MANUAL

- Thank you very much for reading the preview of the manual.
- You can download the complete manual from: [www.heydownloads.com](http://www.heydownloads.com) by clicking the link below



- Please note: If there is no response to CLICKING the link, please download this PDF first and then click on it.

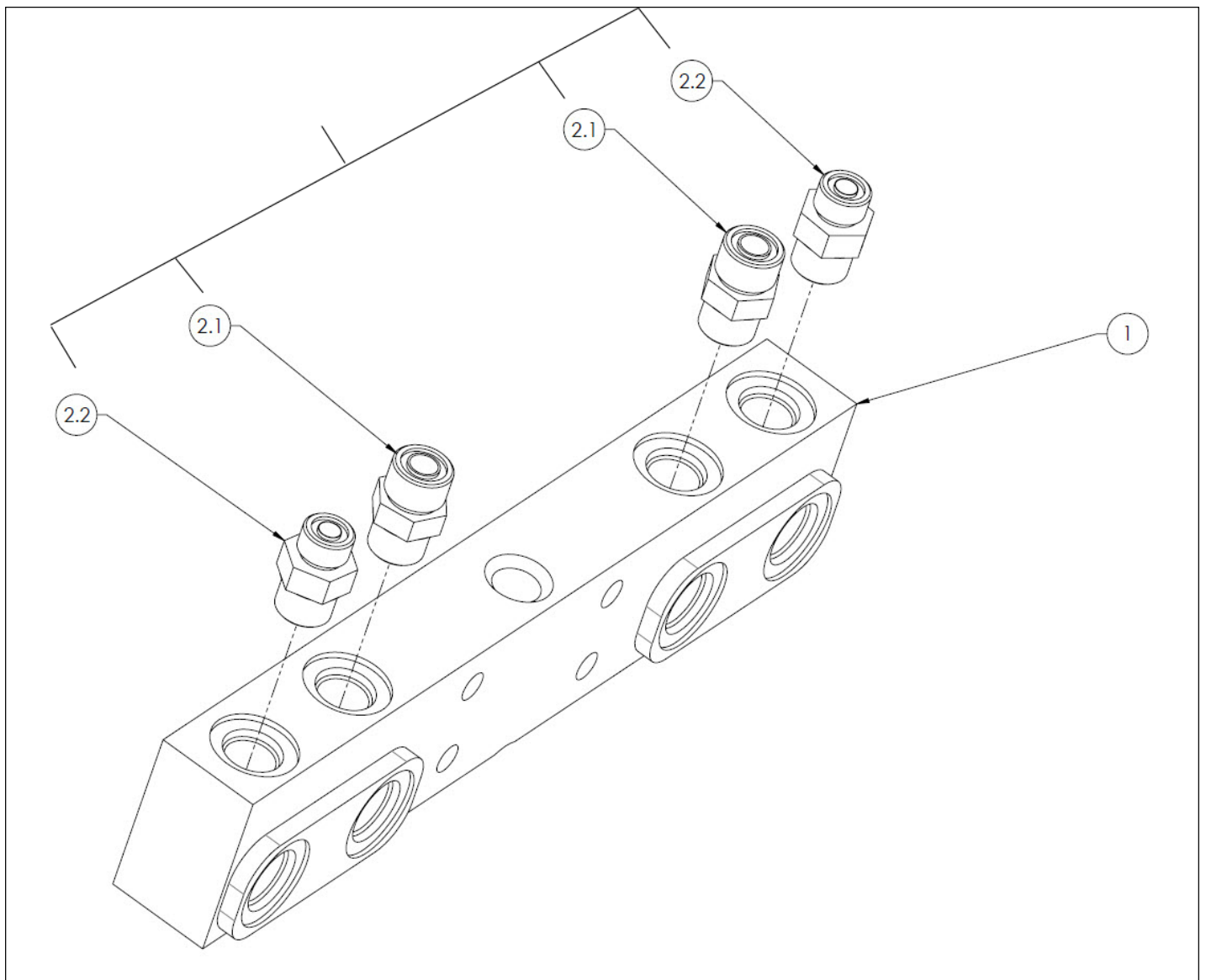
CLICK HERE TO **DOWNLOAD** THE COMPLETE MANUAL

Item	Part No.	Name	Qty	Uom
-	34076-001 R01	REAR COVER ASSEMBLY, 120HP		EA
1	25507-000	COVER BRACKET	1	EA
2	13558-000	HANDLE 6" PULL	2	EA
3	13552-002	KEEPER LATCH DE-STA-CO	1	EA
4	13556-000	DRAW LATCH ASSY MED DE- STA-CO	2	EA
5	HH0616F08CZ012	HHCS .375-16 F GR8 C .750	4	EA
6	10900-006	NUT 3/8-16UNC REG HEX	4	EA
7	NL1024STCZ	NUT HEX NL 10-24 STL C	14	EA
8	10273-006	SCREW 10-24UNC OHM X 3/4	8	EA
9	34075-001	REAR COVER	1	EA
10	FLW037508CZ	WASHER FLAT .375 GR8 C	8	EA
11	FLW0010STCZ	WASHER FLAT #10 STL C	20	EA
12	10253-004	SCREW 10-24UNC PHM X 1/2	6	EA

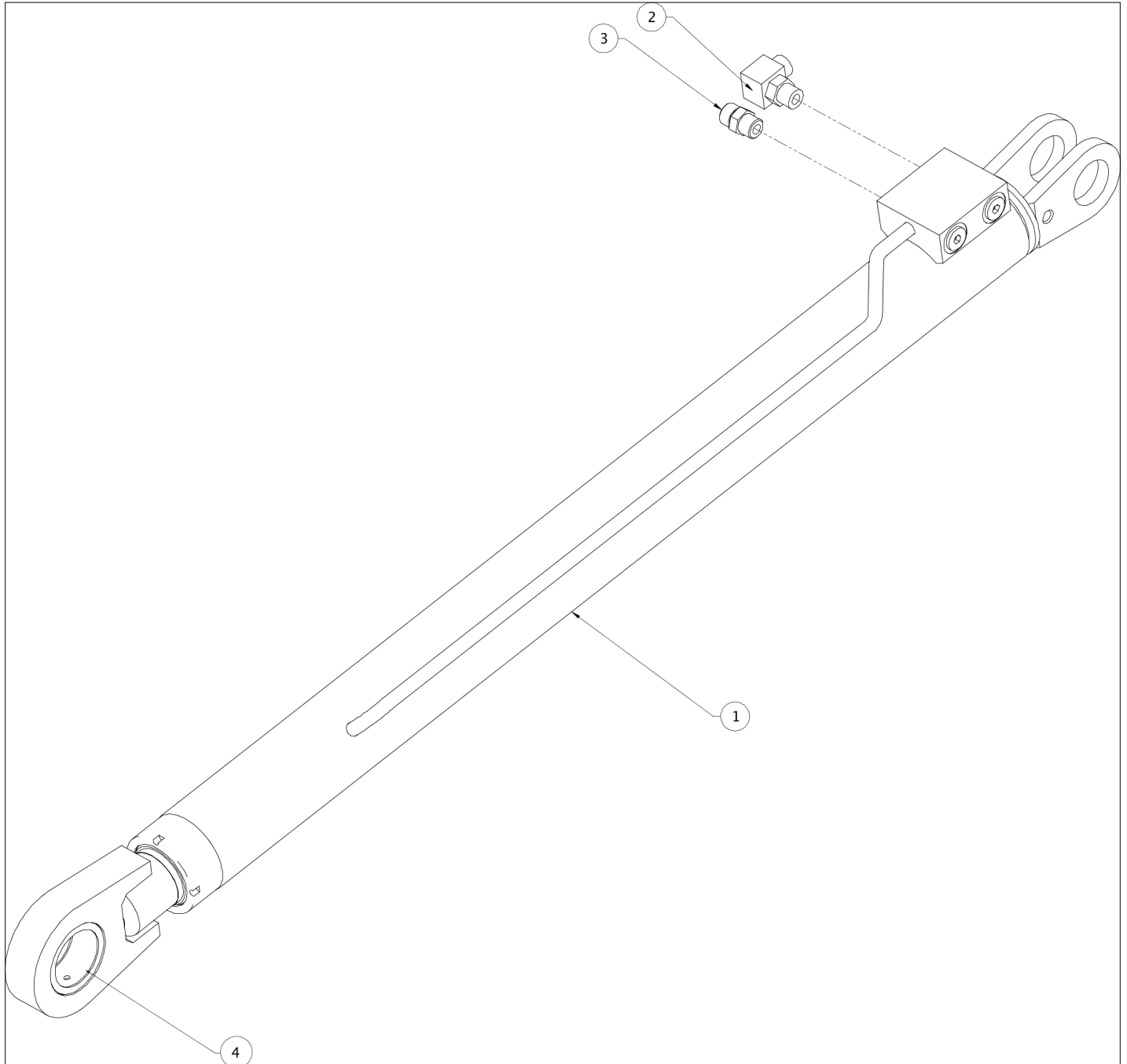
Item	Part No.	Name	Qty	Uom
-	33811-010 A	OPTION - SLOW MOVING VEHICLE SIGN		
1	FLW025008CZ	WASHER FLAT .250 GR8 C	10	EA
2	26346-010	BRKT, SMV SIGN	1	EA
3	18204-000	SMV SIGN	1	EA
4	SB0420FF8CZ012	SBHCS .250-20 F F835 C .750	2	EA
5	HH0420F08CZ014	HHCS .250-20 F GR8 C .875	3	EA
6	NL042008CZ	NUT HEX NL .250-20 GR8 C	5	EA

Item	Part No.	Name	Qty	Uom
1	REF	ORING 84.4×3.1	1	EA
2	REF	ORING 7.8×1.9	6	EA
3	REF	ORING 8.92×1.83	2	EA
4	REF	ORING 16.36×2.21	3	EA
5	REF	ORING 44.4×3.1	1	EA
6	REF	ORING 29.4×3.1	2	EA
7	REF	BACKUP RING 10.8×2.4	1	EA
8	REF	ORING 14.8×2.4	1	EA
9	REF	ORING 15.3×2.2	1	EA
10	REF	ORING 49.4×3.1	1	EA
11	REF	ORING 8.1×1.6	3	EA
12	REF	ORING 15.8×2.4	1	EA
13	REF	ORING 22.5×3	1	EA
14	REF	ORING 13.8×2.4	1	EA
15	REF	ORING 5.8×1.9	4	EA
16	REF	ORING 124.4×3.1	1	EA
17	REF	ORING MPO35F15	1	EA

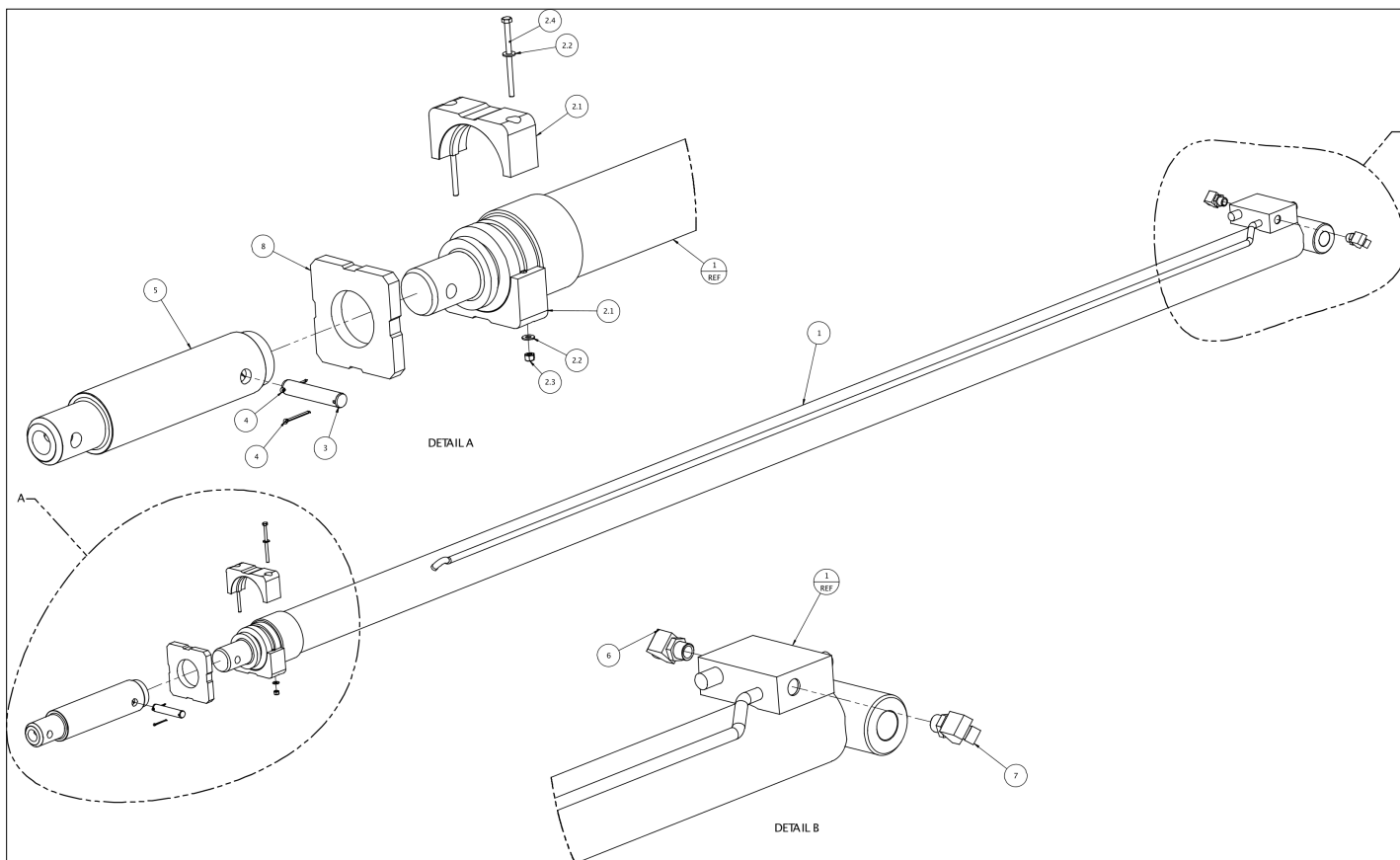
HYDRAULIC SYSTEM



HYDRAULIC SYSTEM



HYDRAULIC SYSTEM



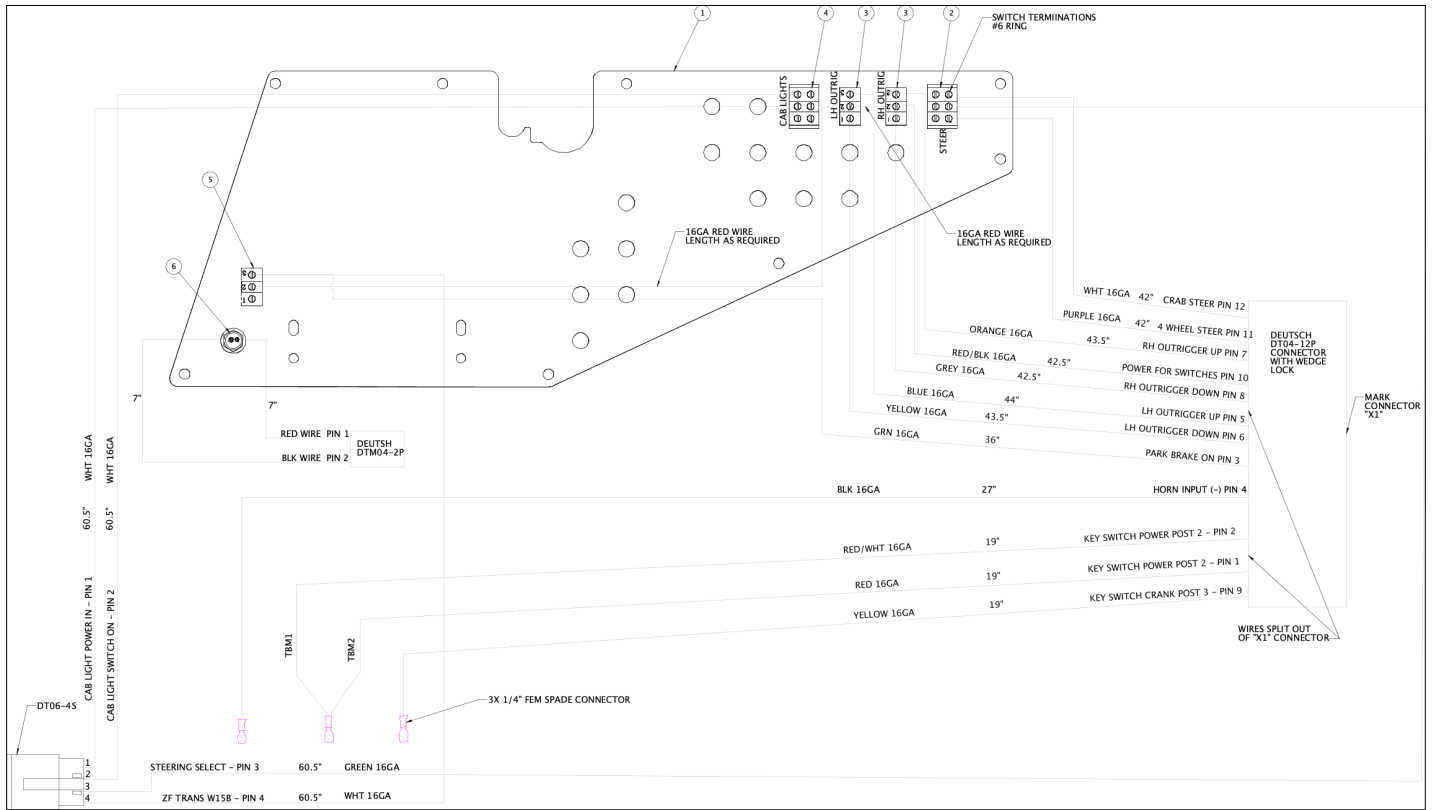
Item	Part No.	Name	Qty	Uom
REF	34240-010	SEAL KIT	1	EA
1	34240-000	ASSY, XR1055 TILT CYLINDER	1	EA
2	REF	BRONZE BEARING	2	EA
3	REF	BRONZE BEARING	2	EA
4	29729-000	FITTING KIT, CARRIAGE TILT CYLINDER	1	EA
4.1	11702-001	FITTING ELBOW 90 -04MBA-04MFS	3	EA
4.2	11709-001	FITTING ELBOW 90 -04MBA-04FFSS	1	EA
4.3	11700-001	FITTING STRAIGHT -04MB-04MFS	2	EA
5	REF	45* GREASE FITTING, 1/80-027 SELF TAP	1	EA
6	14220-001	VALVE CB CACG-LGN-5000	1	EA
7	5570004	GREASE FITTING, 1/4 - 28 STR	2	EA

Item	Part No.	Name	Qty	Uom
1	11702-001	FITTING ELBOW 90 -04MBA-04MFS	3	EA
2	11709-001	FITTING ELBOW 90 -04MBA-04FFSS	1	EA
3	11700-001	FITTING STRAIGHT -04MB-04MFS	2	EA

Item	Part No.	Name	Qty	Uom
69	5018929-013	HOSE ASY-4 4/90x4STR x 13	1	EA
70	12007-038	HOSE ASY-6 6/90Lx6STR x 38	1	EA
71	5018931-037	HOSE ASY-6 6STRx6STR x 37	1	EA
72	5018933-202	HOSE ASY-6 6/90x6STR x 202	1	EA
73	5018933-047	HOSE ASY-6 6/90x6STR x 47	1	EA
74	5018933-048	HOSE ASY-6 6/90x6STR x 48	1	EA
75	5018933-202	HOSE ASY-6 6/90x6STR x 202	1	EA

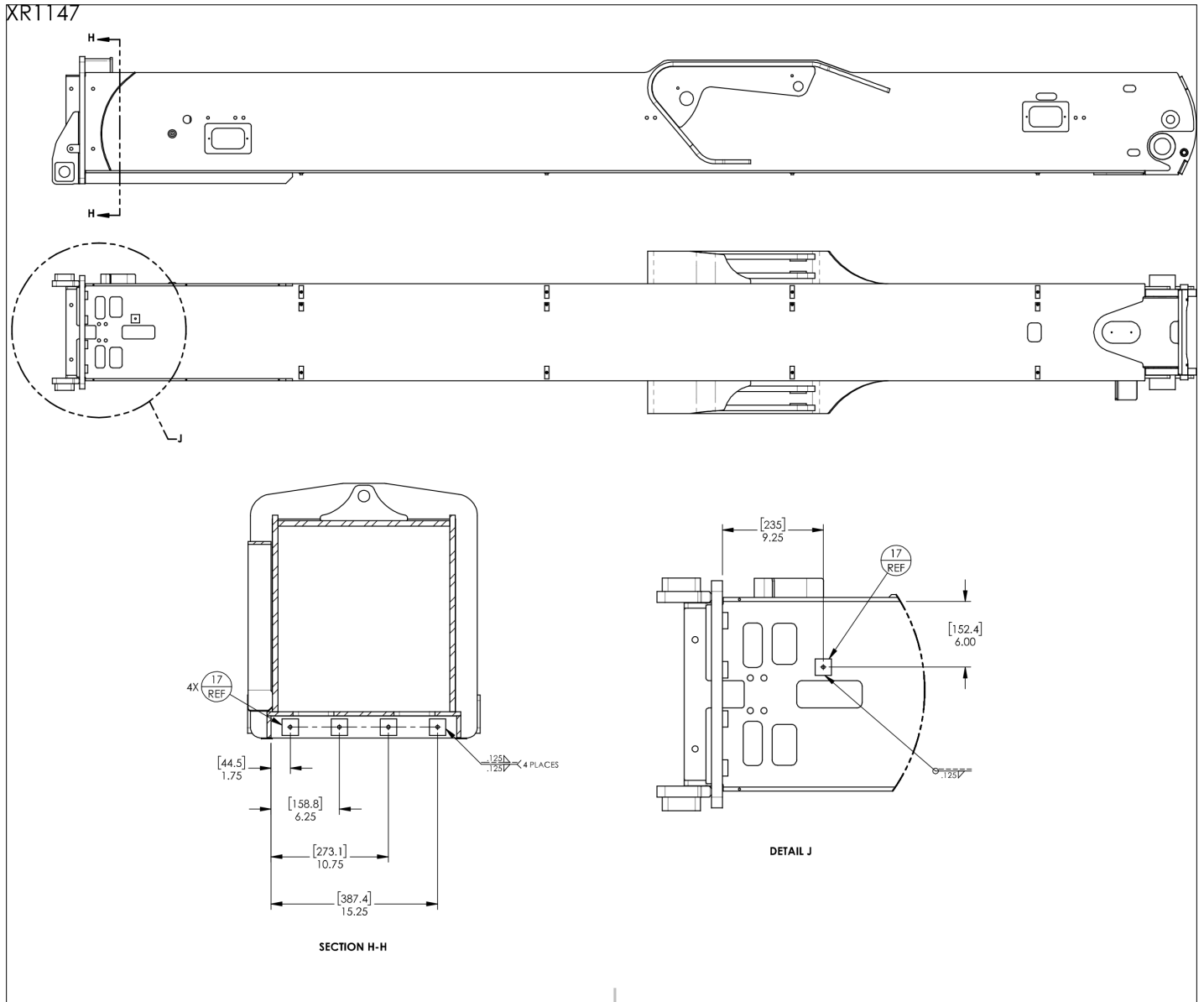
Item	Part No.	Name	Qty	Uom
1	34538-100 A	KIEWIT LHP TELEMATICS HARNESS		

Item	Part No.	Name	Qty	Uom
50	PNNA	WIRE SEAL, GRAY, TYCO	2	EA
53	PNNA	SECONDARY LOCK, 3 POS, DEUTSCH	1	EA
54	PNNA	TERMINAL, SOCKET, 16-14 GA, SIZE 16, DEUTSCH	3	EA
55	PNNA	TERMINAL, PIN, 16-14 GA, SIZE 16, DEUTSCH	2	EA
59	PNNA	PLUG, SEALING, NBLUE, DELPHI	56	EA
61	PNNA	TERMINAL, QDF 1/4, 16-14GA PANDUIT	2	EA
62	PNNA	RELAY, 12V, SPDT, 50A NO/30A NC, DIODE, S.C	2	EA
63	PNNA	SOCKET, RELAY, TYCO	2	EA
64	PNNA	TERMINAL SOCKET, 18-14 GA, AMP	9	EA
69	PNNA	CAVITY PLUG, 5.2MM, SILICONE, PACKARD	2	EA
70	PNNA	CABLE SEAL, 2.85 TO 2.03MM, PACKARD	17	EA
72	PNNA	FUSE HOLDER, DELPHI	2	EA
73	PNNA	FUSE COVER, WAYTEK	2	EA
74	PNNA	TERMINAL, SOCKET 12-10 GA, DELPHI	2	EA
75	PNNA	WIRE SEAL, 10GA, DELPHI	2	EA
76	PNNA	SECONDARY LOCK, DELPHI	2	EA
77	PNNA	FUSE, MINI, 30A LITTLEFUSE / BUSSMAN	1	EA
78	PNNA	CAVITY PLUG, GREEN, DELPHI	2	EA
79	PNNA	CONNECTOR, PLUG, 6POS, GRAY, DEUTSCH	1	EA
80	PNNA	SECONDARY LOCK, 6 POS, DEUTSCH	1	EA
81	PNNA	CONNECTOR, PLUG, 4 POS, DEUTSCH	1	EA
82	PNNA	WEDGELOCK, 4 POS, DEUTSCH	1	EA



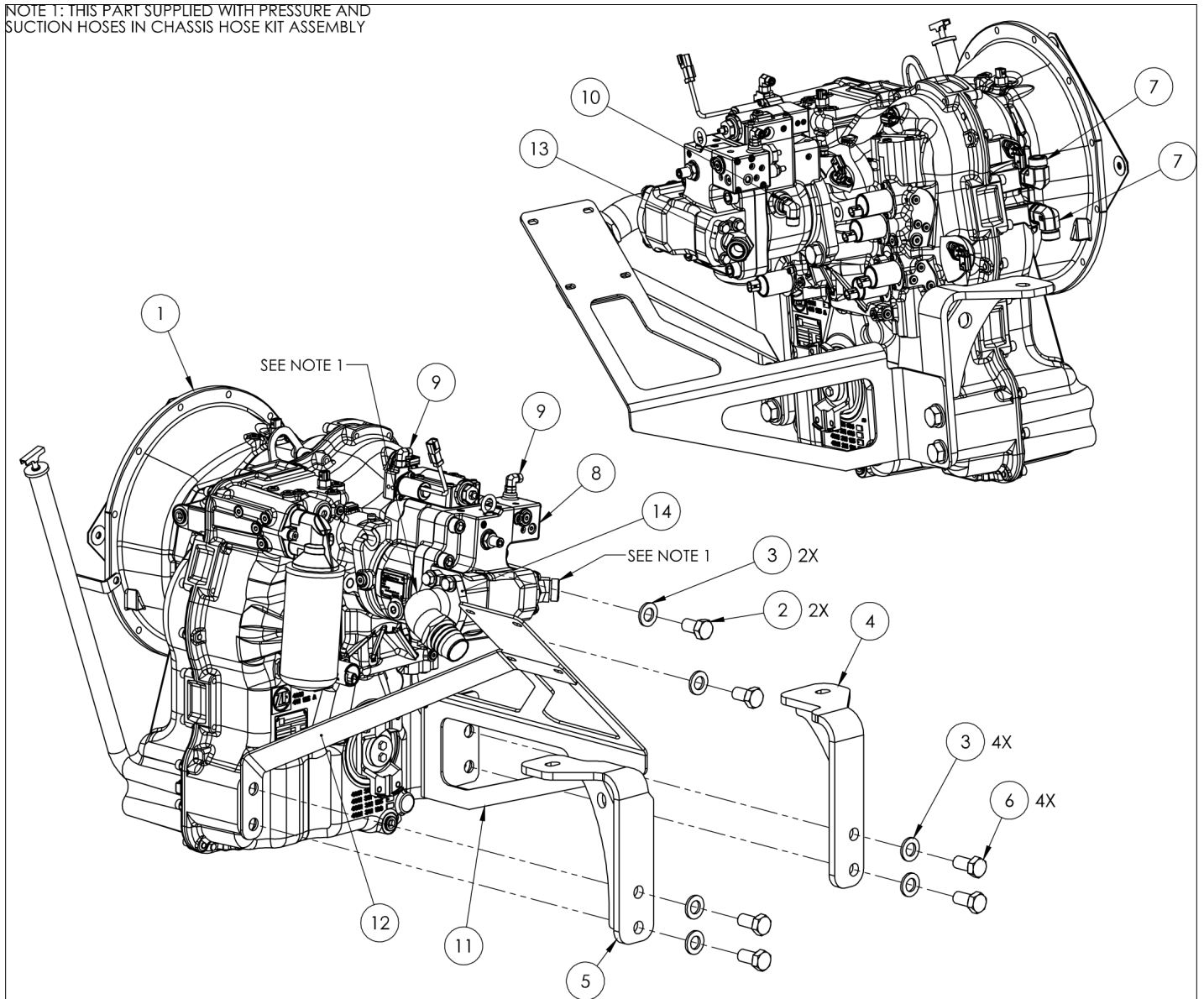
Item	Part No.	Name	Qty	Uom
-	34200-000 21	JOYSTICK PG CAN I/O HARNESS		EA
1	34200-000	HARNESS-JOYSTICK	1	EA

Item	Part No.	Name	Qty	Uom
1	13255-001	TERMINAL BLOCK STRIP #6 X 7 LG	1	EA
2	13256-000	TERMINAL BLOCK #6	14	EA
3	13257-000	END STOP #6 TERMINAL BLOCK	2	EA



TRANSMISSION, AXLES & DRIVESHAFTS

NOTE 1: THIS PART SUPPLIED WITH PRESSURE AND SUCTION HOSES IN CHASSIS HOSE KIT ASSEMBLY

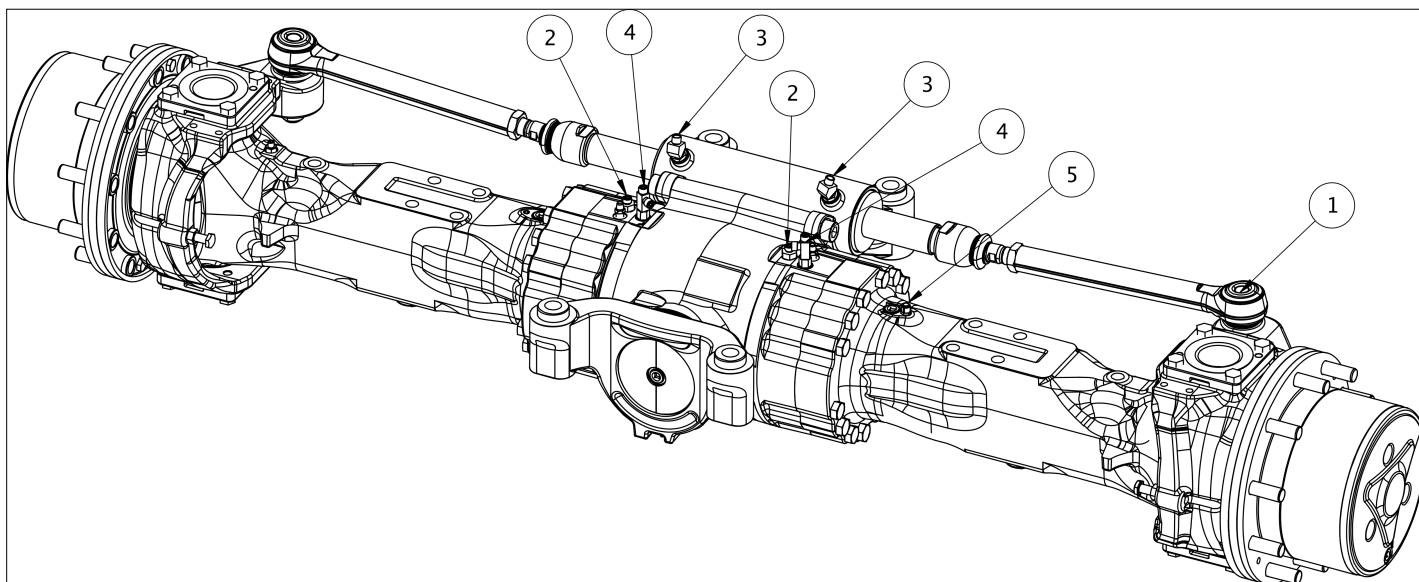


Item	Part No.	Name	Qty	Uom
23	34301-000	BRKT, HYD FILTER BLK	1	EA
24	14383-000	FILTER RETURN 10MICRON HYDAC 2	1	EA
25	11729-006	FTNG TEE -16FFSS-16MFS- 16MFS	1	EA
26	34099-000	BRACKET HAWE VALVE MNT BLK	1	EA
27	14170-001	VALVE, MAIN CONTROL HAWE	1	EA
28	29989-002	HOSE GUIDE BRACKET 842/1045	1	EA
29	33105-004	BRKT, HOSE GUIDE XR1056	1	EA
30	11715-003	FTNG TEE BH -08MFS-08MFS- 08MFS	2	EA
31	11729-003	FTNG TEE -08FFSS-08MFS- 08MFS	2	EA
32	13253-000	FUSE BLOCK BUSS LMG-5E-1- 001**	1	EA
33	13004-006	FUSE 250 AMP BOLT-IN 9180K97	1	EA
34	13006-005	FUSE 125 AMP BOLT-IN LITTLE	1	EA
35	13006-007	FUSE 175 AMP BOLT-IN LITTLE	1	EA
36	11729-004	FTNG TEE -10FFSS-10MFS- 10MFS	2	EA
37	11731-008	FTNG REDUCER -06MFS-12FFS	2	EA
38	11691-003	NUT BULKHEAD -08FS WLNL	2	EA
39	11691-005	NUT BULKHEAD -12FS WLNL	2	EA
40	11728-003	FTNG ELBOW 90 -08MFS-08FFSS	4	EA
41	11712-007	FTNG ELBOW 90 BH -12MFS- 12MFS	2	EA
42	11729-005	FTNG TEE -12FFSS-12MFS- 12MFS	2	EA
43	11731-013	FTNG REDUCER -10MFS-16FFS	1	EA
44	11729-002	FTNG TEE -06FFSS-06MFS- 06MFS	1	EA
45	34452-000	WLDMNT TIE DOWN 1147 ORG	1	EA
46	14298-000	MANIFOLD, SWAY MODE	1	EA

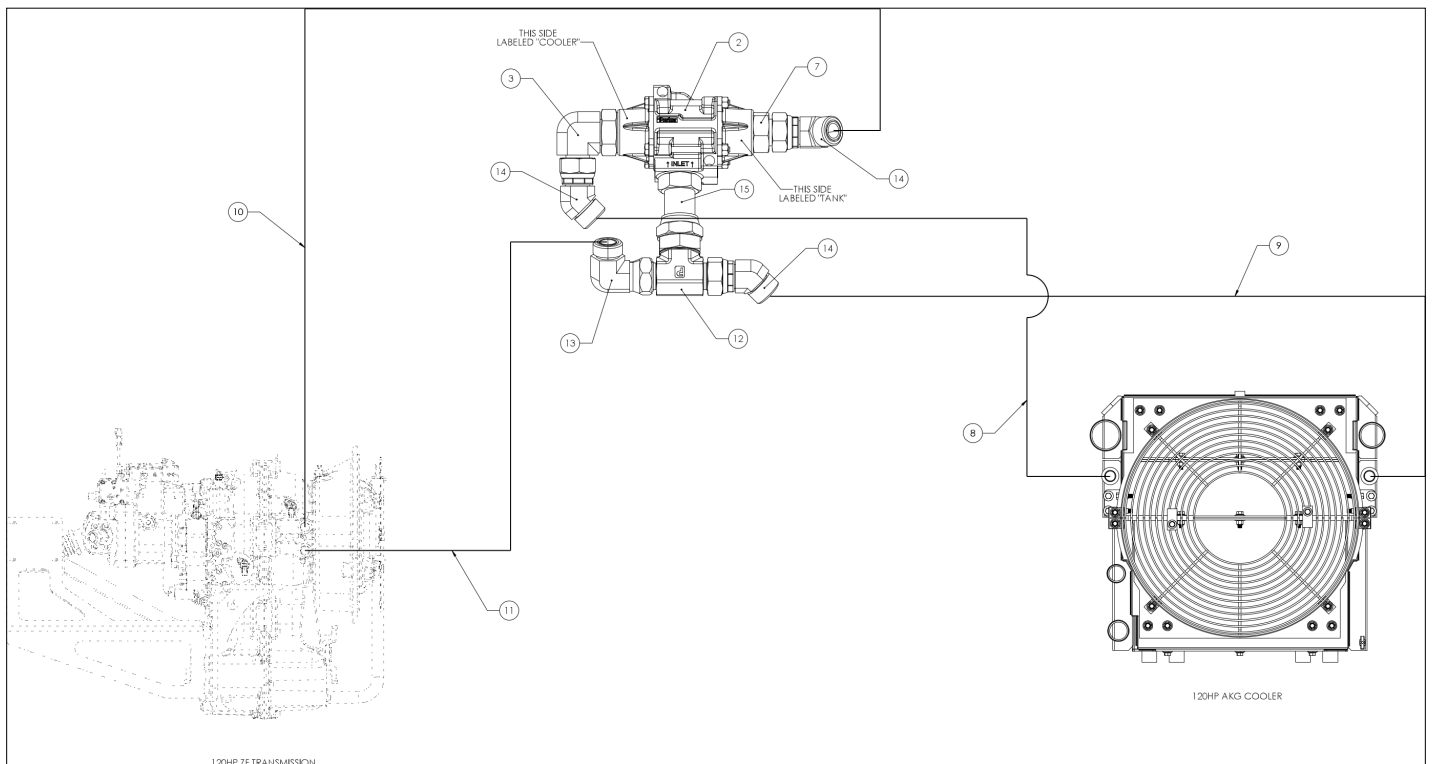
Item	Part No.	Name	Qty	Uom
73	HH0518P08CZ080	HHCS .313-18 P GR8 C 5.000	4	EA
74	HH0518F08CZ008	HHCS .313-18 F GR8 C .500	3	EA
75	HH0616F08CZ016	HHCS .375-16 F GR8 C 1.000	4	EA
76	10002-012	SCREW 3/8-16UNC HHC X 1-1/2	20	EA
77	10002-011	SCREW 3/8-16UNC HHC X 1-3/8	2	EA
78	10002-036	SCREW 3/8-16UNC HHC X 4-1/2	1	EA
79	10002-014	SCREW 3/8-16UNC HHC X 1-3/4	4	EA
80	HH0616F08CZ012	HHCS .375-16 F GR8 C .750	2	EA
81	11015-010	WASHER M8 FLAT METRIC	4	EA
82	HH0812F10CZ016	HHCS M8X1.25 F 10.9 C 16	4	EA
83	NL081308CZ	NUT HEX NL .500-13 GR8 C	4	EA
84	NL051808CZ	NUT HEX NL .313-18 GR8 C	2	EA
85	NL042008CZ	NUT HEX NL .250-20 GR8 C	2	EA
86	NL061608CZ	NUT HEX NL .375-16 GR8 C	3	EA
87	NL121008CZ	NUT HEX NL .750-10 GR8 C	4	EA
88	NL160808CZ	NUT HEX NL 1.000-8 GR8 C	4	EA
89	HH0813F08CZ024	HHCS .500-13 F GR8 C 1.500	4	EA
90	HH0813F08CZ020	HHCS .500-13 F GR8 C 1.250	2	EA
91	HH0813F08CZ012	HHCS .500-13 F GR8 C .750	2	EA
92	HH0420F08CZ016	HHCS .250-20 F GR8 C 1.000	2	EA
93	HH0420P08CZ024	HHCS .250-20 P GR8 C 1.500	2	EA
94	11002-006	WASHER 3/8 SAE HVY FLAT ASTM	5	EA
95	HH1210P08CZ052	HHCS .750-10 P GR8 C 3.250	4	EA
96	10007-012	SCREW 3/4-10UNC HHC X 1-1/2	4	EA
97	HH1608P08CZ080	HHCS 1.000-8 P GR8 C 5.000	4	EA
98	FLWM2210CZ	WASHER FLAT M22 10.9 C	8	EA
99	HH2215F10CZ060	HHCS M22X1.5 F 10.9 C 60	8	EA
100	SB1024FF8CZ012	SBHCS 10-24 F F835 C .750	2	EA
101	10900-003	NUT 10-24UNC REG HEX	2	EA

Item	Part No.	Name	Qty	Uom
101	FLW037508CZ	WASHER FLAT .375 GR8 C	2	EA
102	HH0813F08CZ012	HHCS .500-13 F GR8 C .750	2	EA
103	FLW050008CZ	WASHER FLAT .500 GR8 C	2	EA
104	14613-000	LUG NUT M22x1.5 GL-006554	40	EA
105	10908-017	LOCKNUT 1-14 GR8	8	EA

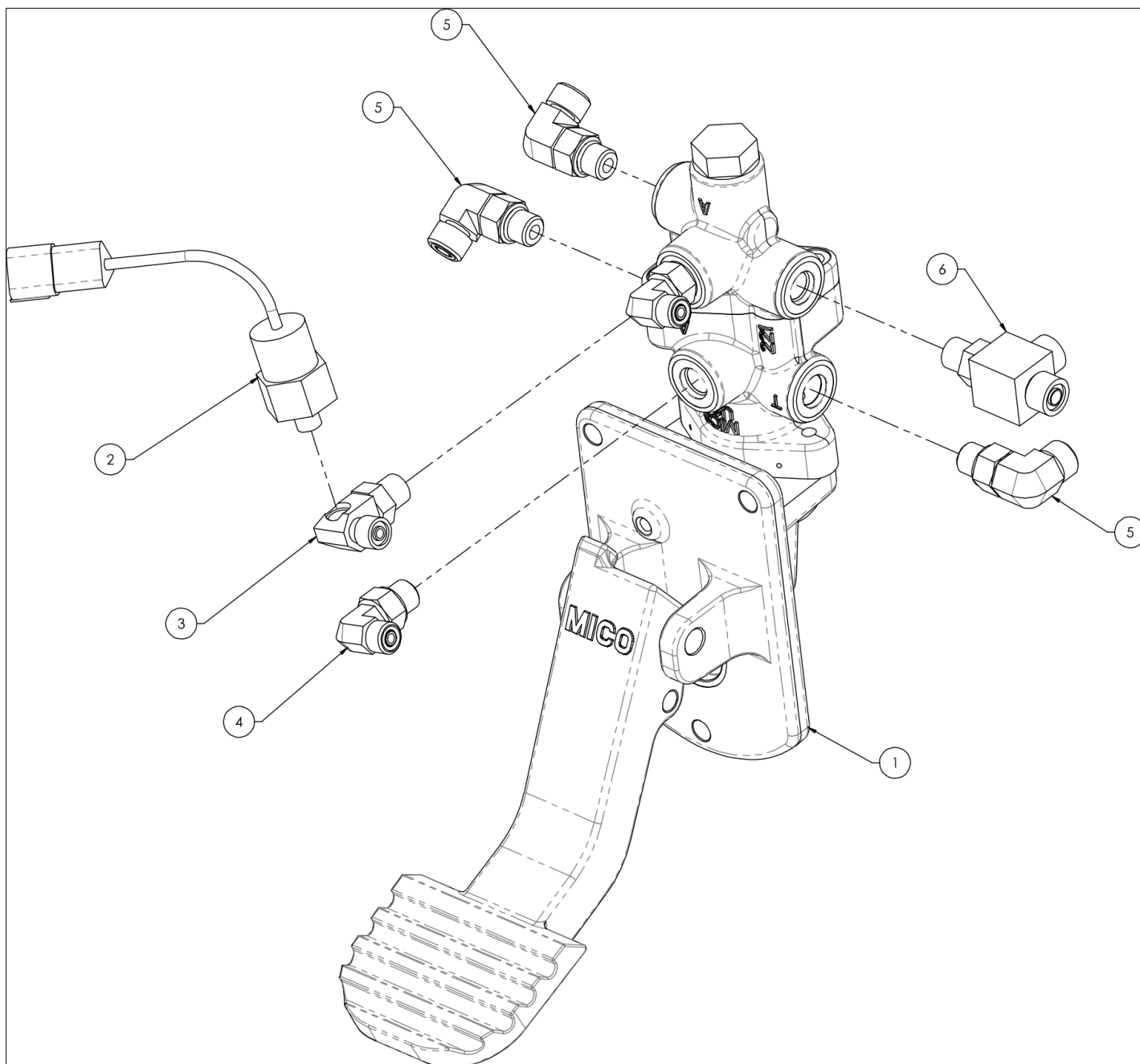
TRANSMISSION, AXLES & DRIVESHAFTS



Item	Part No.	Name	Qty	Uom
10	14593-010	CROWN WHEEL	1	EA
20	14593-011	PINION	1	EA
50	REF	ADJUSTMENT PLATE	1	EA
80	14592-012	TAPERED ROLLER BEARING 53,975X104,775X36,512	1	EA
110	REF	Ring	1	EA
150	14592-013	TAPER ROLLER BEARING 44,450X88,900X30,162	1	EA
190	14592-014	SHAFT SEAL 65,0X105,0X10,0/14,5	1	EA
270	14592-015	WASHER A=6,00	1	EA
290	14592-016	HEXAGON NUT M30X1,5	1	EA



STEERING, BRAKES, TIRES & WHEELS



Item	Part No.	Name	Qty	Uom
1	27434-002	BRAKE CHARGE VALVE ASSEMBLY	1	EA
2	11700-001	FITTING STRAIGHT -04MB-04MFS	1	EA
3	11700-009	FITTING - ORFS #6 X SAE #6 STRAIGHT	3	EA
4	11700-010	FITTING STRAIGHT 06MFS-08MB	1	EA
5	11702-010	FITTING ELBOW 90 -06MBA-08MFS	1	EA
6	11705-005	FITTING ELBOW 45 -8MBA-6MFS	1	EA
7	REF	DIRECTIONAL CONTROL VALVE	1	EA
8	27118-011	3-WAY PILOT OPERATED DIRECTIONAL VALVE	1	EA
9	REF	CHECK VALVE	1	EA
10	14188-010	PRESSURE SWITCH	1	EA
REF	25056-003	CHARGE VALVE FITTING KIT	1	EA

Item	Part No.	Name	Qty	Uom
-	35251-100 A	OPTION, TELEMATICS KEYPAD XR742/843/944/1055/1147/1255- B/1347/1547/1555/1734		
1	3030325-000	KEYPAD FOR TRACKUNIT	1	EA
2	SH0832FA5CZ012	SHCS 8-32 F A574 C .750	2	

Item	Part No.	Name	Qty	Uom
1	25184-001	CARRIAGE PIN	1	EA
2	10822-010	SHOULDER EYE-BOLT 3/8-16UNC X 1-1/4	1	EA
3	25383-000	PIN RETAINER PLATE	1	EA
4	FLW037508CZ	WASHER FLAT .375 GR8 C	1	EA

SWAY CYLINDER ASSEMBLY - REAR . 7-22  
SWAY CYLINDER ASSEMBLY-FRONT . 7-21  
SWITCH PANEL ASSEMBLY ..... 8-6  
SWITCH PANEL ASSEMBLY NO  
OUTRIGGERS ..... 8-8  
TRANSDUCER MOUNT, BASE ASSEMBLY .  
4-23  
TRANSDUCER MOUNT, TIP ASSEMBLY 4-  
24  
TRANSMISSION AND PUMP ASSEMBLY ZF  
9-1  
TRANSMISSION ASSEMBLY, 120 HP XR1055  
..... 9-2  
TRANSMISSION FILTER ASSEMBLY .... 9-3  
TRANSMISSION ZF, 120HP, COLD  
WEATHER INSTALLATION ..... 9-17  
TUBE CLAMP ASSEMBLY #2 ..... 4-17  
VALVE MAIN CONTROL ASSEMBLY 7-10  
VALVE, MAIN CONTROL HAWE ..... 7-8  
VALVE, MAIN CONTROL HAWE,  
COORDINATED MOTION ..... 7-9  
XR1147 COMPONENT IDENTIFICATION 2-1  
XR1147 GENERAL INFORMATION ..... 1-1  
ZF TRANSMISSION THERMAL BYPASS 9-  
19

14592-033	10-2	14592-078	9-13
14592-034	10-2	14592-079	9-13
14592-035	10-2	14592-080	9-13
14592-037	10-2	14592-081	9-13
14592-038	10-2	14592-082	9-13
14592-039	10-2	14592-083	9-13
14592-040	10-2	14592-084	9-15
14592-041	10-2	14592-085	9-15
14592-042	10-2	14592-086	9-15
14592-043	10-2	14592-087	9-15
14592-044	10-2	14592-088	9-15
14592-045	10-2	14592-089	9-15
14592-046	10-2	14592-090	9-15
14592-047	10-2	14592-091	9-15
14592-048	10-2	14592-092	9-15
14592-049	10-2	14592-099	9-15
14592-050	10-2	14592-100	9-15
14592-051	10-2	14592-101	9-15
14592-059	9-13	14592-102	9-15
14592-060	9-13	14592-115	9-13, 9-16, 10-2
14592-061	9-13	14593-000	9-10
14592-062	9-13	14593-010	9-12
14592-063	9-13	14593-011	9-12
14592-064	9-13	14593-014	9-13
14592-065	9-13	14593-015	9-13
14592-066	9-13	14593-016	10-2
14592-067	9-13	14593-018	10-2
14592-068	9-13	14593-019	10-2
14592-069	9-13	14593-020	10-2
14592-071	9-13	14593-021	10-2
14592-072	9-13	14593-022	10-2
14592-073	9-13	14593-023	10-2
14592-075	9-13	14593-024	9-16
14592-077	9-13	14594-000	9-9

CLICK HERE TO **DOWNLOAD** THE COMPLETE MANUAL

- Thank you very much for reading the preview of the manual.
- You can download the complete manual from: [www.heydownloads.com](http://www.heydownloads.com) by clicking the link below



- Please note: If there is no response to CLICKING the link, please download this PDF first and then click on it.

CLICK HERE TO **DOWNLOAD** THE COMPLETE MANUAL