

**XR1054-S T3 FORWARD
REACH FORKLIFT PARTS
MANUAL**

CLICK HERE TO **DOWNLOAD** THE COMPLETE MANUAL

- Thank you very much for reading the preview of the manual.
- You can download the complete manual from: www.heydownloads.com by clicking the link below



- Please note: If there is no response to CLICKING the link, please download this PDF first and then click on it.

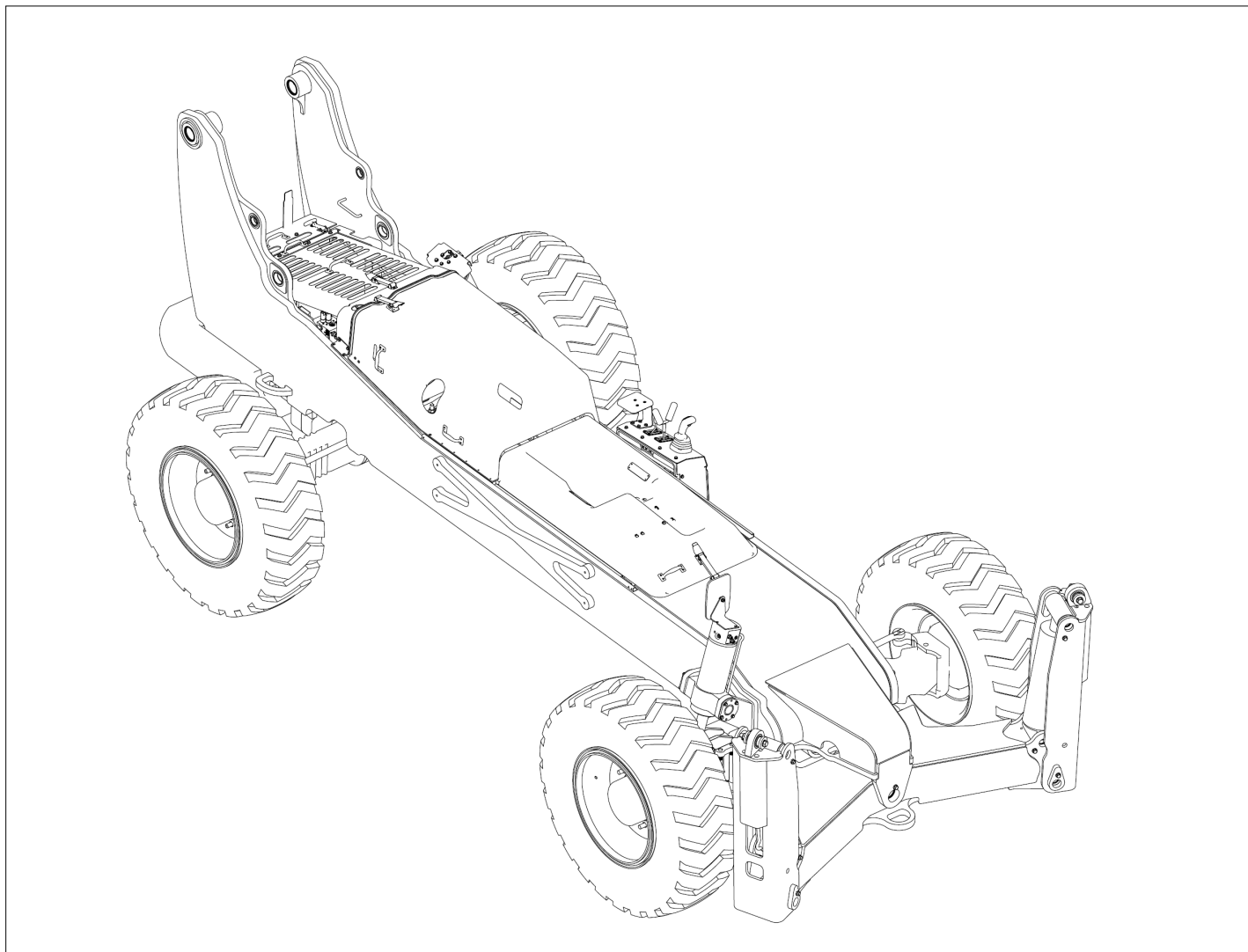
CLICK HERE TO **DOWNLOAD** THE COMPLETE MANUAL

Item	Part No.	Name	Qty	Uom
REF	26687-002	CHASSIS ASSEMBLY – ENGINE	1	EA
1	26686-000	CHASSIS ASSEMBLY AR AXLES	1	EA
2	25857-002	ENGINE / TRANSMISSION ASSEMBLY	1	EA
3	12353-000	ISOLATOR MOUNT - ENGINE/TRANS	4	EA
4	25946-000	ISOLATOR WASHER	2	EA
5	12350-000	ISOLATOR MOUNT	2	EA
6	25728-000	RADIATOR ASSEMBLY	1	EA
7	14450-000	BATTERY 12VDC GRP31	1	EA
8	14452-000	BATTERY HOLD-DOWN	1	EA
9	14451-000	BATTERY J-BOLT	2	EA
10	25868-000	RADIATOR SHROUD ASSEMBLY	1	EA
11	13051-000	BACK-UP ALARM	1	EA
12	25769-000	ACCUMULATOR ASSEMBLY	2	EA
13	25763-002	HIGH-PRESSURE FILTER / STEERING VALVE ASSEMBLY	1	EA
14	25212-004	ISOLATION MANIFOLD ASSEMBLY	1	EA
15	25214-001	DISTRIBUTION MANIFOLD ASSEMBLY	1	EA
16	26613-000	BATTERY DISCONNECT SWITCH ASSEMBLY	1	EA
17	27434-000	BRAKE CHARGE VALVE ASSEMBLY	1	EA
18	14369-000	FUEL WATER SEPARATOR	1	EA
19	14623-000	DRIVE SHAFT (FRONT)	1	EA
20	14621-000	DRIVE SHAFT REAR/1045 FRONT	1	EA
21	11003-006	WASHER 3/8 FLAT FENDER	2	EA
22	FLW062508CZ	WASHER FLAT .625 GR8 C	8	EA
23	HH1011P08CZ064	HHCS .625-11 P GR8 C 4.000	4	EA

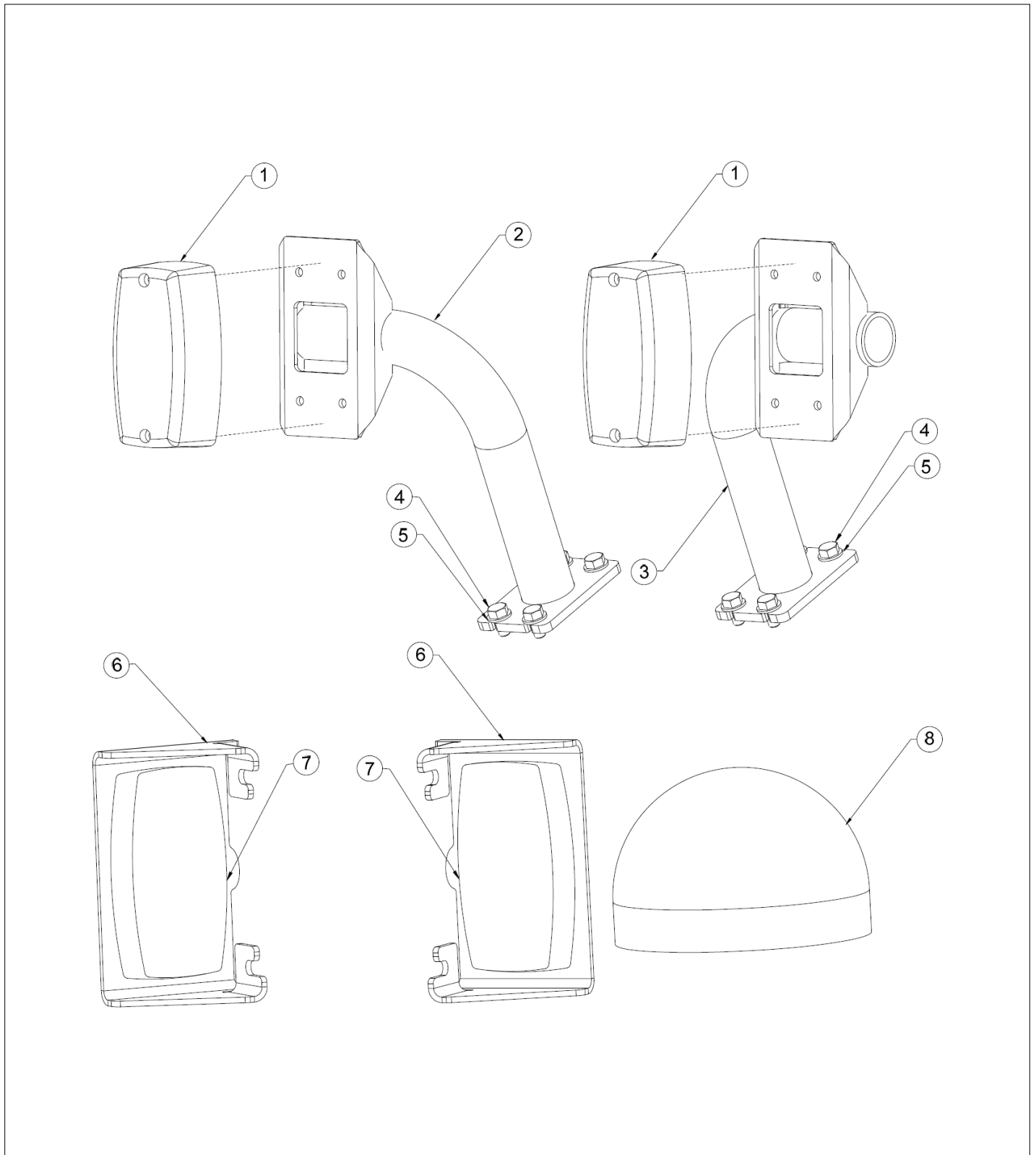
Item	Part No.	Name	Qty	Uom
24	10900-010	NUT 5/8-11UNC REG HEX	4	EA
25	FLW037508CZ	WASHER FLAT .375 GR8 C	29	EA
26	972479	BLT HEXHD .375-16 1.25 GR5	10	EA
27	10900-006	NUT 3/8-16UNC REG HEX	8	EA
28	10002-012	SCREW 3/8-16 UNC HHC X 1-1/2	2	EA
29	FLW0010STCZ	WASHER FLAT #10 STL C	12	EA
30	10303-006	SCREW #10-24UNC SBHC X 3/4	4	EA
31	NL1024STCZ	NUT HEX NL 10-24 STL C	6	EA
32	FLW031308CZ	WASHER FLAT .313 GR8 C	8	EA
33	HH0518F08CZ012	HHCS .313-18 F GR8 C .750	4	EA
34	HH0616F08CZ016	HHCS .375-16 F GR8 C 1.000	7	EA
35	HH0624F08CZ020	HHCS .375-24 F GR8 C 1.250	4	EA
36	HH0518F08CZ016	HHCS .313-18 F GR8 C 1.000	4	EA
37	FLW025008CZ	WASHER FLAT .250 GR8 C	11	EA
38	10120-006	SCREW 1/4-20UNC SBHC X 3/4	3	EA
39	HH0420F08CZ012	HHCS .250-20 F GR8 C .750	4	EA
40	HN042008CZ	NUT HEX .250-20 GR8 C	4	EA
41	10253-006	SCREW #10-24UNC PHM X 3/4	2	EA
42	FLW037508CZ	WASHER FLAT .375 GR8 C	2	EA
43	FLW031308CZ	WASHER FLAT .313 GR8 C	2	EA
44	10021-024	SCREW 5/16-24UNF HHC X 3	2	EA

Item	Part No.	Name	Qty	Uom
27	26079-000	PUMP SHIELD	1	EA
28	26053-000	FRONT COVER STRUT MT RH	1	EA
29	26053-001	FRONT COVER STRUT MT, LH	1	EA
30	25958-000	HOSE SUPPORT	1	EA
31	26096-000	HOSE SUPPORT	1	EA
32	26364-000	PLATE (FAN PROTECTION)	1	EA
33	29363-000	SWAY CYLINDER ASSEMBLY- FRONT	1	EA
34	29364-000	SWAY CYLINDER ASSEMBLY - REAR	1	EA
35	26757-002	SIDE CONSOLE ASSEMBLY	1	EA
36	27262-000	BRACKET, MIRROR MOUNTING	1	EA
37	13425-000	MIRROR 10 X 6-1/2 RECTANGULAR	1	EA
38	11910-000	FITTING GREASE 1/8 NPT STRAIGHT	2	EA
39	11002-016	EXTRA THICK GRADE 8 SAE WASHER	12	EA
40	10029-088	SCREW 1-14UNF HHC X 11	12	EA
41	11002-012	3/4" EXTRA HEAVY GRADE 8 SAE WASHER	24	EA
42	HN121608CZ	NUT HEX .750-16 GR8 C	12	EA
43	HH1216P08CZ112	HHCS .750-16 P GR8 C 7.000	12	EA
44	11002-008	2 EXTRA HEAVY GRADE 8 SAE WASHER	3	EA
45	HH0813P08CZ032	HHCS .500-13 P GR8 C 2.000	1	EA
46	HH0813F08CZ020	HHCS .500-13 F GR8 C 1.250	2	EA
47	FLW100008CZ	WASHER FLAT 1.000 GR8 C	16	EA
48	HH1608P08CZ080	HHCS 1.000-8 P GR8 C 5.000	8	EA
49	HN160808CZ	NUT HEX 1.000-8 GR8 C	8	EA
50	FLW031308CZ	WASHER FLAT .313 GR8 C	16	EA
51	HH0518F08CZ010	HHCS .313-18 F GR8 C .625	16	EA

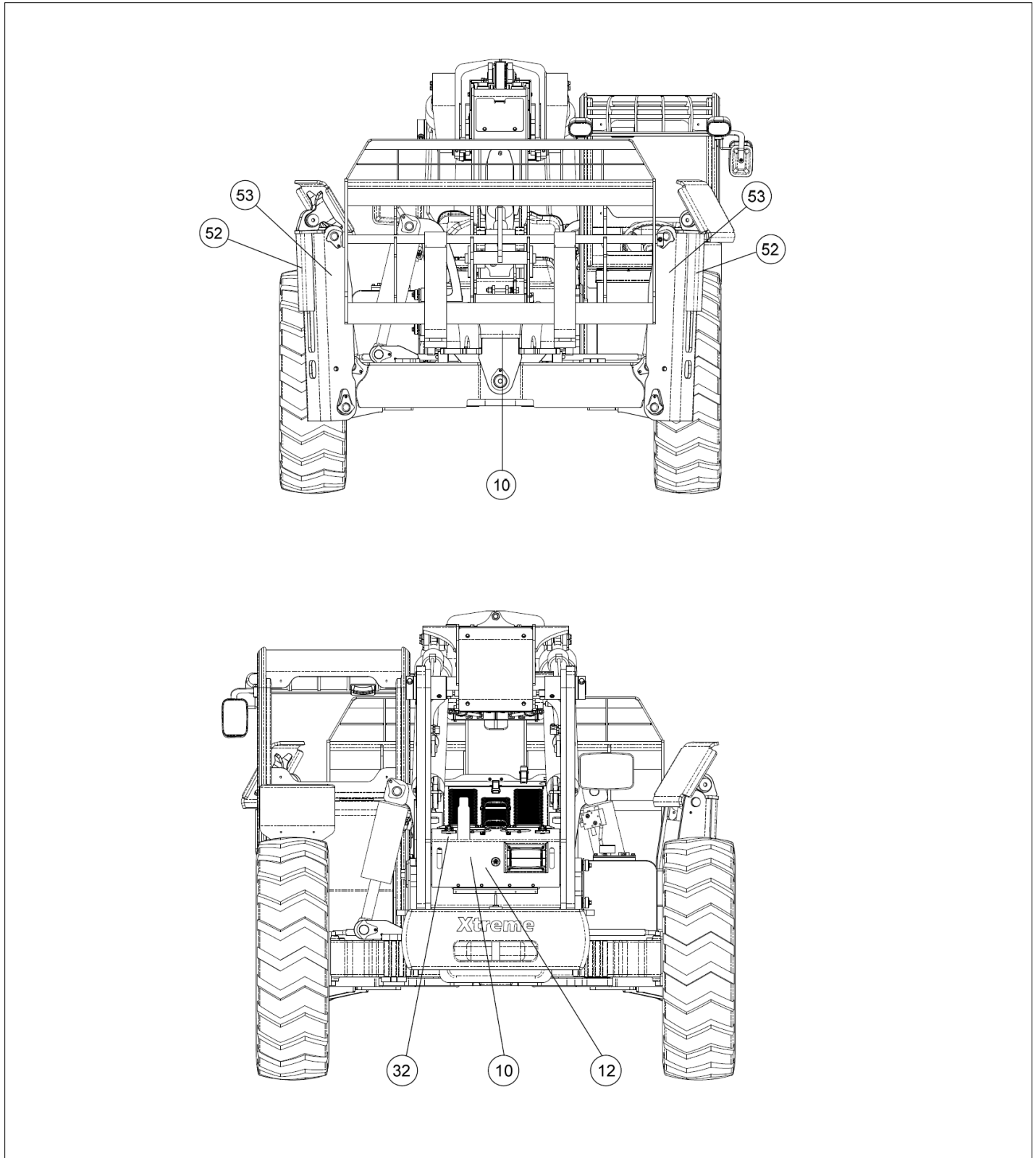
CHASSIS



CHASSIS



DECALS AND LOAD CHARTS



Item	Part No.	Name	Qty	Uom
25	18041-001	WARNING, PINCH POINT HAZARD	6	EA
26	18042-000	XTREME LOGO (CHASSIS)	3	EA
27	18066-001	CAUTION, CRUSHING HAZARD	2	EA
28	18067-000	FRAME SWAY HANDLE	1	EA
29	18334-001	HANDLE, AUXILIARY CONTROLS	1	EA
30	18069-000	HYDRAULIC TANK FLUID LEVEL	1	EA
31	18082-001	WARNING, INJECTION HAZARD	1	EA
32	18083-001	WARNING, EXPLOSION HAZARD	2	EA
33	18086-001	LABEL, HYDRAULIC FLUID, USE DEXRON III	1	EA
34	18090-001	WARNING, TIP OVER HAZARD	4	EA
35	18300-001	WARNING, FALLING HAZARD	2	EA
36	18312-000	WARNING, FALLING HAZARD	2	EA
37	18315-000	TIE DOWN POINT	4	EA
38	18043-000	XTREME LOGO	2	EA
39	18044-000	XTREME X	3	EA
40	18046-000	BOOM SWOOSH LEFT FRONT	1	EA
41	18047-000	BOOM SWOOSH LEFT REAR	1	EA
42	18048-000	BOOM SWOOSH RIGHT FRONT	1	EA
43	18049-000	BOOM SWOOSH RIGHT REAR	1	EA
44	18372-000	DECAL XR-ID-1255 LARGE	2	EA
45	18056-000	BOOM LETTERING, A-B-C-D	1	EA
46	18057-000	BOOM LETTERING, E-F	1	EA
47	18058-000	BOOM LETTERING, G-H	1	EA
48	18311-002	BOOM HOOK, 12K (OPTIONAL)	1	EA
49	18331-000	LABEL CARRIAGE DAMAGE	1	EA
50	18332-000	WARNING, TOW CAPACITY	1	EA

DECALS AND LOAD CHARTS



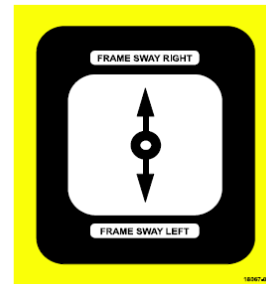
25



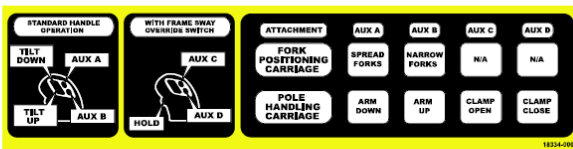
26



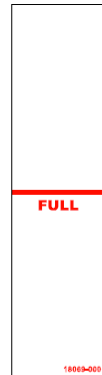
27



28



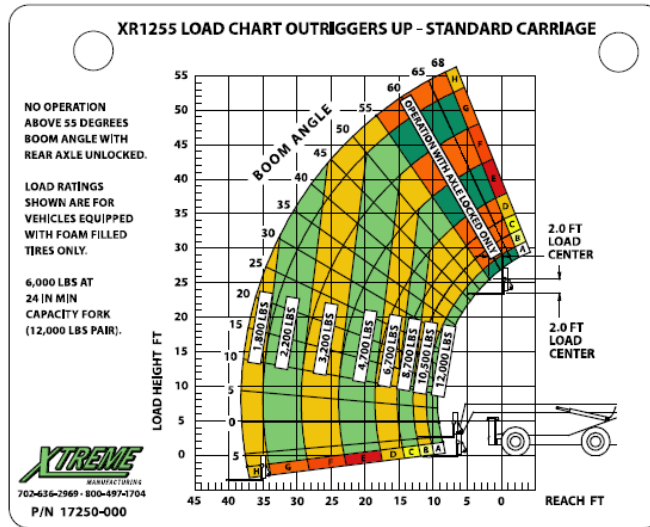
29



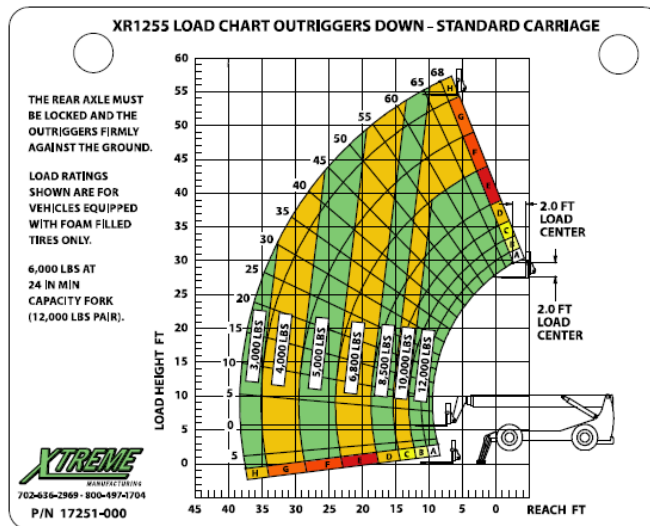
30

Item	Part No.	Name	Qty	Uom
25	18041-001	WARNING, PINCH POINT HAZARD	6	EA
26	18042-000	XTREME LOGO (CHASSIS)	3	EA
27	18066-001	CAUTION, CRUSHING HAZARD	2	EA
28	18067-000	FRAME SWAY HANDLE	1	EA
29	18334-001	HANDLE, AUXILIARY CONTROLS	1	EA
30	18069-000	HYDRAULIC TANK FLUID LEVEL	1	EA
31	18082-001	WARNING, INJECTION HAZARD	1	EA
32	18083-001	WARNING, EXPLOSION HAZARD	2	EA
33	18086-001	LABEL, HYDRAULIC FLUID, USE DEXRON III	1	EA
34	18090-001	WARNING, TIP OVER HAZARD	4	EA
35	18300-001	WARNING, FALLING HAZARD	2	EA
36	18312-000	WARNING, FALLING HAZARD	2	EA
37	18315-000	TIE DOWN POINT	4	EA
38	18043-000	XTREME LOGO	2	EA
39	18044-000	XTREME X	3	EA
40	18046-000	BOOM SWOOSH LEFT FRONT	1	EA
41	18047-000	BOOM SWOOSH LEFT REAR	1	EA
42	18048-000	BOOM SWOOSH RIGHT FRONT	1	EA
43	18049-000	BOOM SWOOSH RIGHT REAR	1	EA
44	18372-000	DECAL XR-ID-1255 LARGE	2	EA
45	18056-000	BOOM LETTERING, A-B-C-D	1	EA
46	18057-000	BOOM LETTERING, E-F	1	EA
47	18058-000	BOOM LETTERING, G-H	1	EA
48	18311-002	BOOM HOOK, 12K (OPTIONAL)	1	EA
49	18331-000	LABEL CARRIAGE DAMAGE	1	EA
50	18332-000	WARNING, TOW CAPACITY	1	EA

DECALS AND LOAD CHARTS

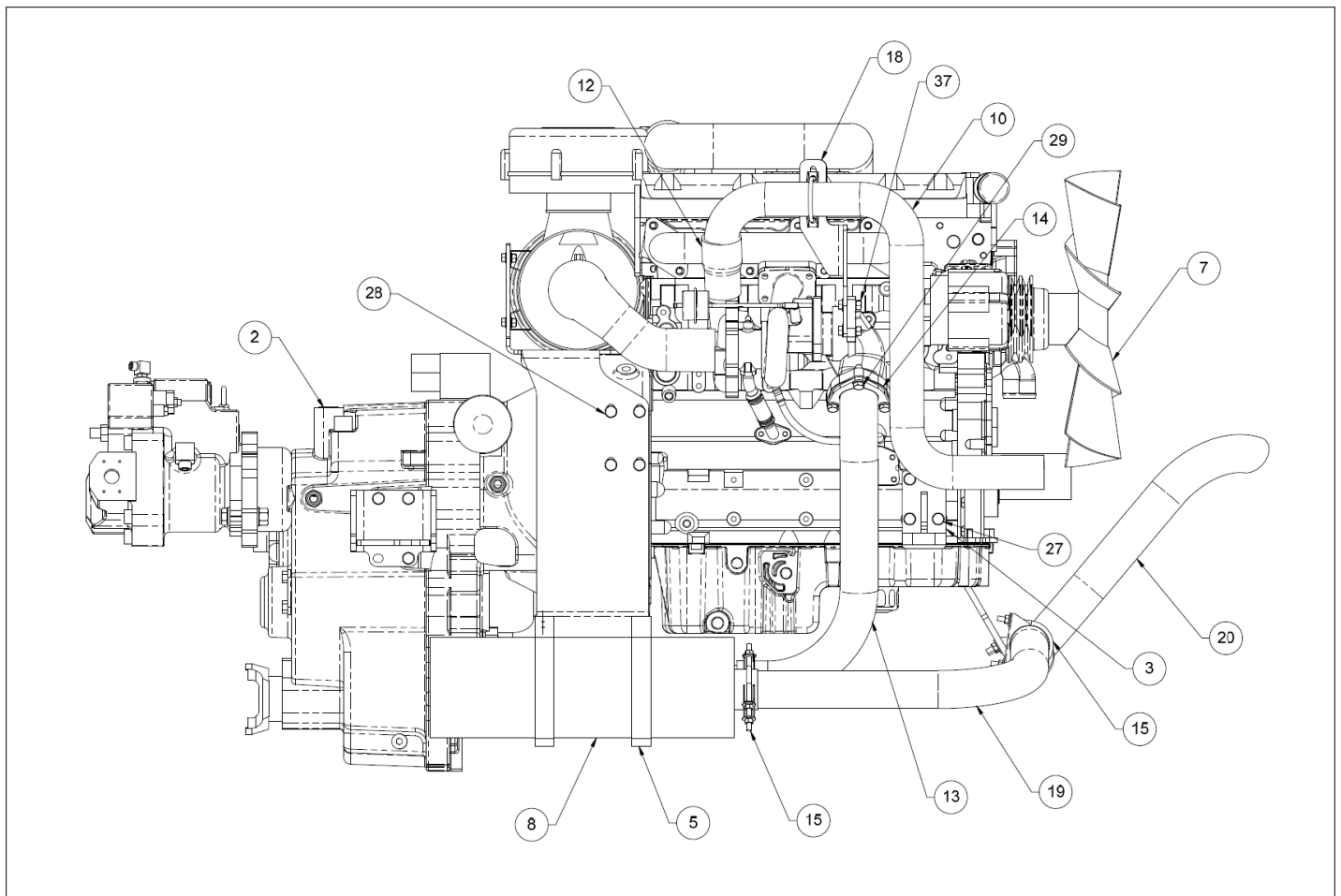


54



55

ENGINE



Item	Part No.	Name	Qty	Uom
REF	25727-000	AIR CLEANER ASSEMBLY	AR	EA
REF	14362-010	AIR FILTER, PRIMARY	1	EA
REF	14362-011	AIR FILTER, SECONDARY	1	EA
1	14362-000	AIR CLEANER	1	EA
2	11370-000	CLAMP MOUNT 8" DIA	2	EA
3	14363-000	AIR PRE-CLEANER	1	EA
4	14364-000	ADAPTER SLEEVE	1	EA
5	25539-000	AIR CLEANER BRACKET	1	EA
6	FLW031308CZ	WASHER FLAT .313 GR8 C	8	EA
7	HH0518F08CZ012	HHCS .313-18 F GR8 C .750	4	EA
8	HN051808CZ	NUT HEX .313-18 GR8 C	4	EA

Item	Part No.	Name	Qty	Uom
REF	27091-000	FRONT AXLE ASSEMBLY	AR	EA
1	14615-000	FRONT AXLE	1	EA
2	11729-001	FITTING TEE -04MFS-04FFSS-04MFS	2	EA
3	11740-001	Fitting STR 04MFS-10MMORB	4	EA
4	11740-011	FITTING STR 08MFS-18MMORB	2	EA
5	14605-011	STEERING CYLINDER ASSEMBLY	1	EA

Item	Part No.	Name	Qty	Uom
REF	25215-000	BRAKE VALVE ASSY	AR	EA
1	25219-001-SP	MICO BRAKE PEDAL ASSY 842	1	EA
2	13154-000	PRESSURE SWITCH SPDT	1	EA
3	26057-000	FITTING-ELBOW MODIFIED	1	EA
4	512978-000	O-RING FACE SEAL ELBOW FF6801-04-06	1	EA
5	11702-006	FITTING ELBOW 90 -06MBA- 06MFS	3	EA
6	11707-004	FITTING TEE -6MFS-6MBA-6MFS	1	EA

Item	Part No.	Name	Qty	Uom
REF	26641-001	HYDRAULIC TANK ASSEMBLY	AR	EA
1	26640-001	HYDRAULIC TANK SUBASSEMBLY	1	EA
2	12856-000	TEMPERATURE SWITCH	1	EA
3	11700-014	FITTING STRAIGHT 08MFS- 08MB	1	EA
4	11700-028	FITTING STRAIGHT 16MFS- 20MB	1	EA
5	11702-007	FITTING ELBOW 90 -08MBA- 06MFS	1	EA
6	11698-008	PLUG EXT HEX HD -12MB	3	EA
7	12355-000	SHOCK MOUNT 1-3/8 DIA.	4	EA

Item	Part No.	Name	Qty	Uom
REF	25214-001	DISTRIBUTION MANIFOLD ASSEMBLY	AR	EA
1	14268-000	DISTRIBUTION MANIFOLD	1	EA
2	11700-001	FITTING STRAIGHT -04MB-04MFS	6	EA
3	11700-009	FITTING - ORFS #6 X SAE #6 STRAIGHT	7	EA
4	11700-014	FITTING STRAIGHT 08MFS-08MB	5	EA
5	11700-024	FITTING STRAIGHT 12MFS-16MB	1	EA
6	11702-027	FITTING STR 16MFS-16MB	2	EA
7	11702-001	FITTING ELBOW 90 -04MBA-04MFS	1	EA
8	11702-023	FITTING ELBOW 90 -16MBA-16MFS	1	EA
9	11700-015	FITTING STRAIGHT 08MFS-10MB	4	EA
10	14361-000	FILTER	1	EA
11	14255-020	RELIEF VALVE	1	EA
12	14255-019	CHECK VALVE	5	EA
13	14268-027	DIRECTIONAL VALVE	2	EA
14	14255-016	CARTRIDGE	1	EA
15	14255-010	PRESSURE REDUCTION VALVE	1	EA
16	14255-016	CARTRIDGE	1	EA
17	14255-027	ORIFICE, 1MM DIA	3	EA
18	14255-012	CARTRIDGE	2	EA
19	14255-018	CARTRIDGE	1	EA
20	14255-013	CARTRIDGE	1	EA
21	14268-014	DIRECTIONAL VALVE	4	EA

CLICK HERE TO **DOWNLOAD** THE COMPLETE MANUAL

- Thank you very much for reading the preview of the manual.
- You can download the complete manual from: www.heydownloads.com by clicking the link below



- Please note: If there is no response to CLICKING the link, please download this PDF first and then click on it.

CLICK HERE TO **DOWNLOAD** THE COMPLETE MANUAL

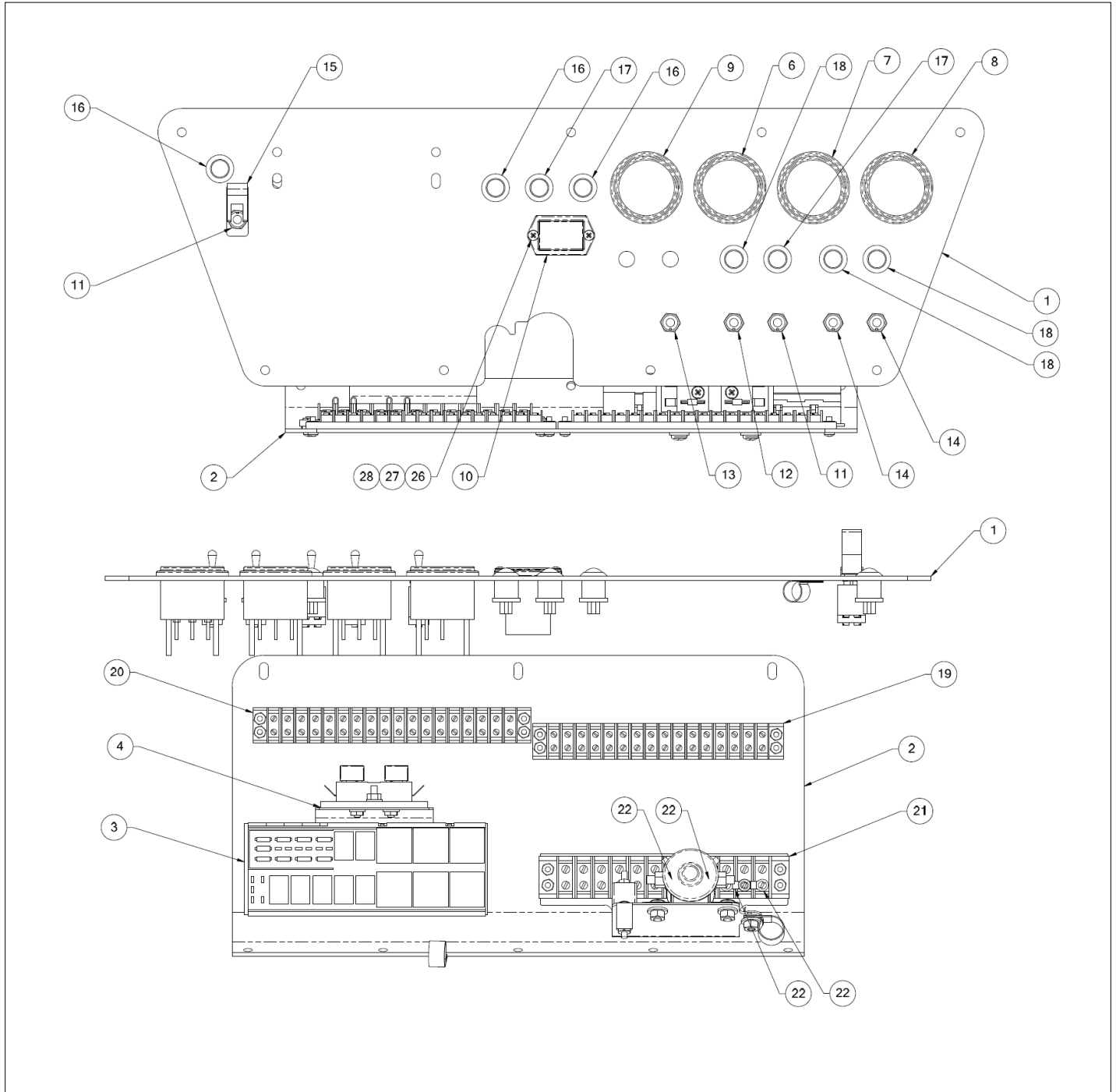
Item	Part No.	Name	Qty	Uom
REF	26651-001	CONTROL VALVE ASSEMBLY	AR	EA
1	14224-001	VALVE OPERATOR CONTROL-K12	1	EA
2	25772-003	FRONT HANDLE ASSEMBLY	1	EA
3	25773-000	REAR HANDLE ASSEMBLY	1	EA
4	50508-000	SWAY HANDLE ASSEMBLY	1	EA
5	11700-001	FITTING STRAIGHT -04MB-04MFS	1	EA
6	11700-011	FITTING STRAIGHT 06MFS-10MB	4	EA
7	11700-015	FITTING STRAIGHT 08MFS-10MB	4	EA
8	11700-019	FITTING STRAIGHT 10MFS-10MB	1	EA
9	11705-013	Fitting elbow 45 -10MBA-12MFS	1	EA
10	11699-003	PLUG HEX SOC -04MB	2	EA
11	11702-019	FITTING ELBOW 90 -12MBA-12MFS	1	EA
12	11702-022	FITTING 90 ELBOW -12MBA-16MFS	1	EA

Item	Part No.	Name	Qty	Uom
REF	26676-000	EXTEND CYLINDER ASSEMBLY	AR	EA
REF	26677-010	SEAL KIT	1	EA
1	26677-000	EXTEND CYLINDER	1	EA
2	26591-000	EXTEND CYLINDER COLLAR ASSEMBLY	1	EA
3	11700-019	FITTING STRAIGHT 10MFS- 10MB	2	EA

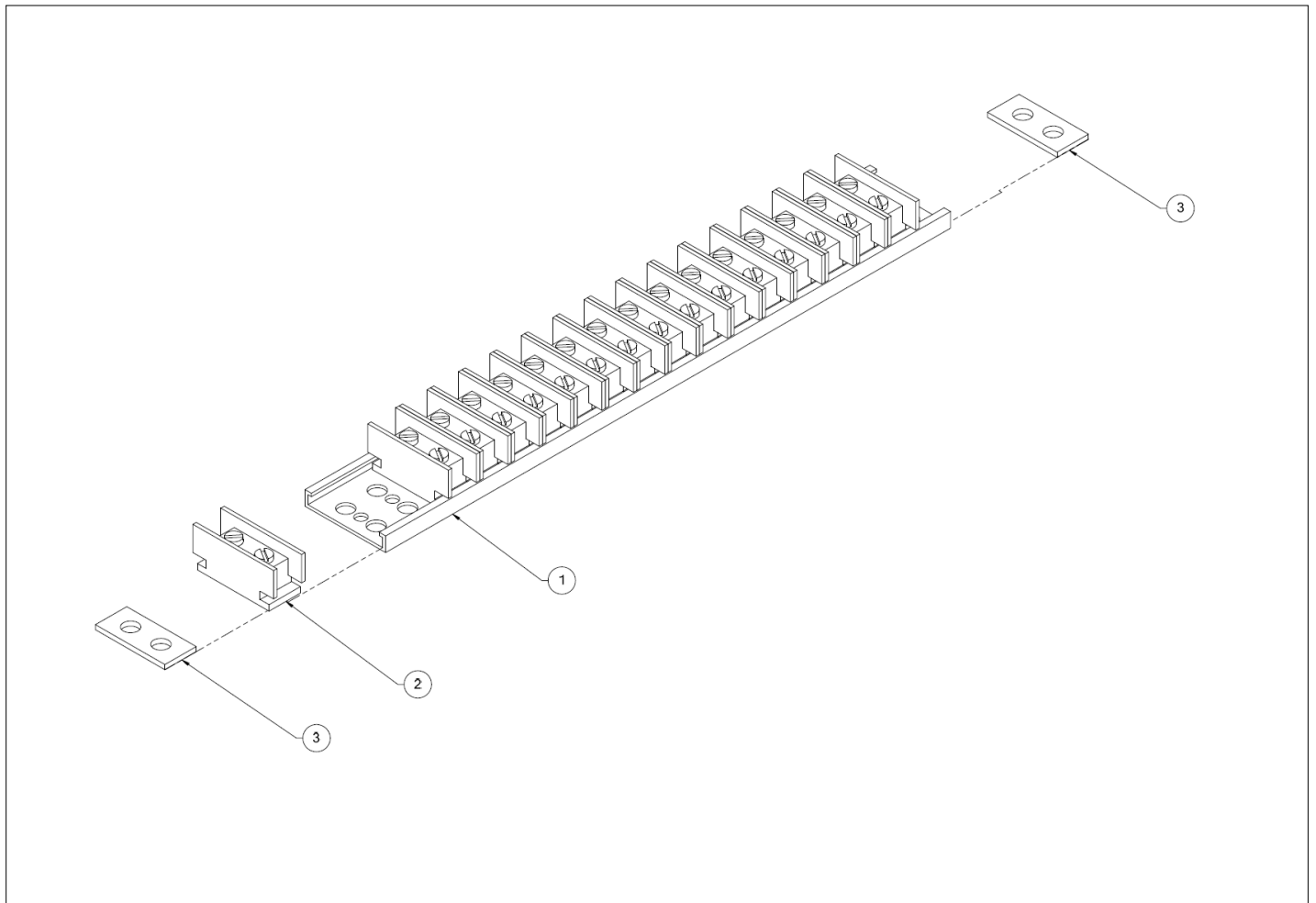
Item	Part No.	Name	Qty	Uom
REF	29363-000	SWAY CYLINDER ASSEMBLY-FRONT	AR	EA
1	29362-000	SWAY CYLINDER, REPLACED BY 29362-003 AFTER 1/7/19)	1	EA
2	11700-009	FITTING - ORFS #6 X SAE #6 STRAIGHT	2	EA

Item	Part No.	Name	Qty	Uom
REF	25817-001	OUTRIGGER CYLINDER ASSEMBLY	AR	EA
1	25848-000	OUTRIGGER CYLINDER ASSEMBLY	1	EA
2	12855-001	PRESSURE SWITCH, 1500PSI	1	EA
3	11702-011	FITTING, ELBOW 90 -08MBA-08MFS	2	EA
4	11910-000	FITTING GREASE 1/8 NPT STRAIGHT	2	EA
5	11915-000	FITTING GREASE 1/8 NPT 45	2	EA
6	14246-000	COUNTERBALANCE VALVE	1	EA
7	14237-000	CHECK VALVE	1	EA

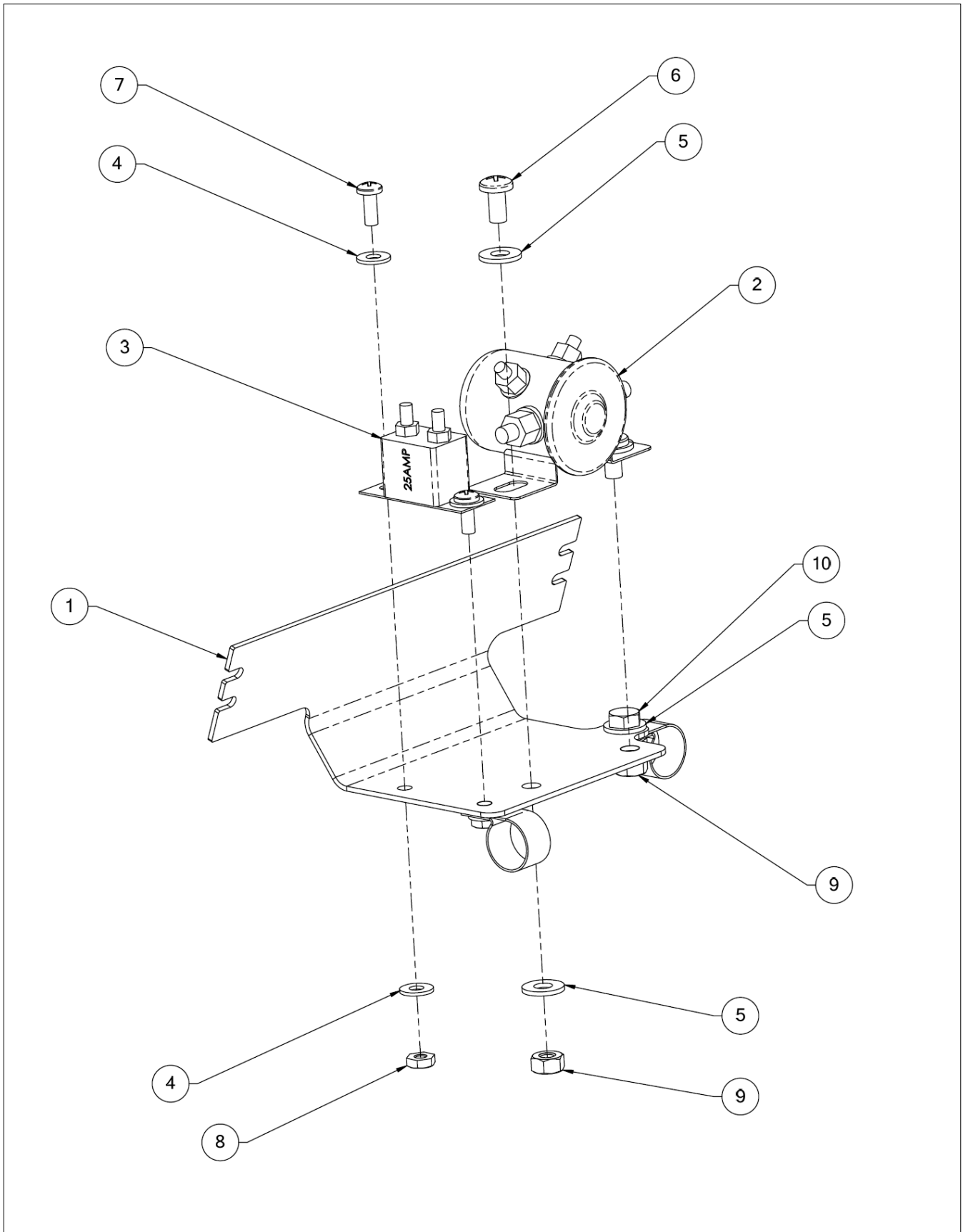
ELECTRICAL SYSTEM



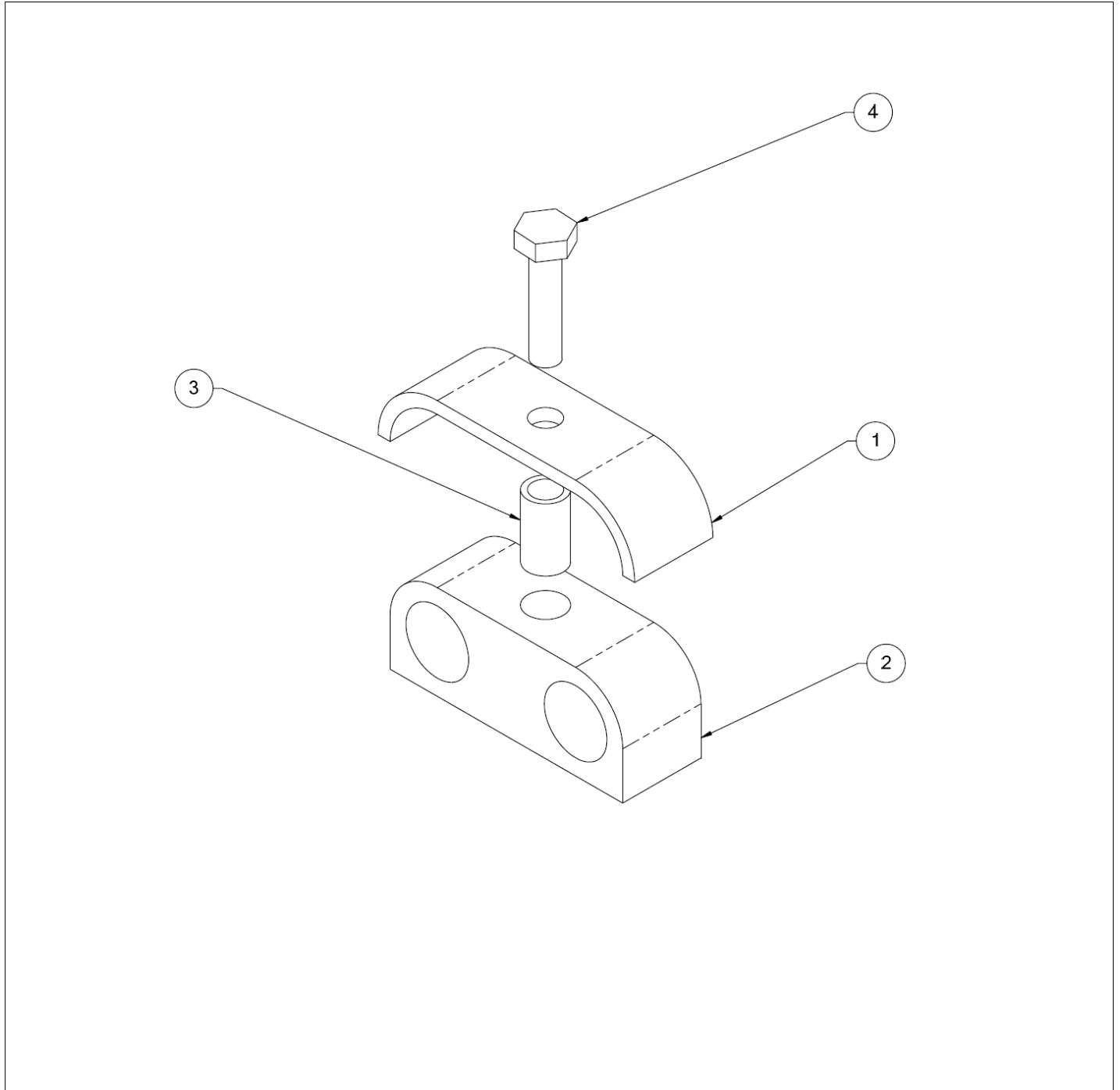
ELECTRICAL SYSTEM



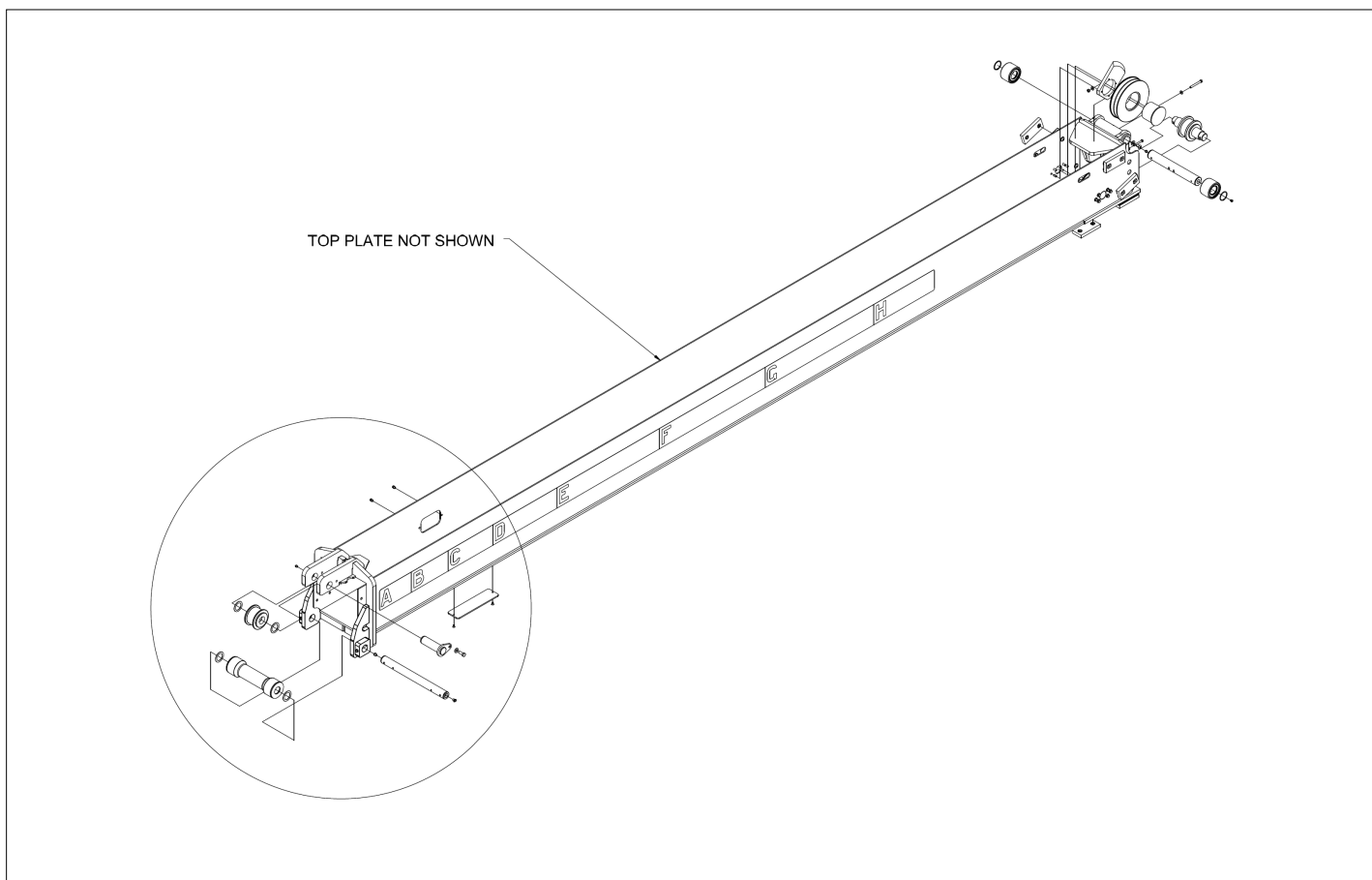
ELECTRICAL SYSTEM



BOOM

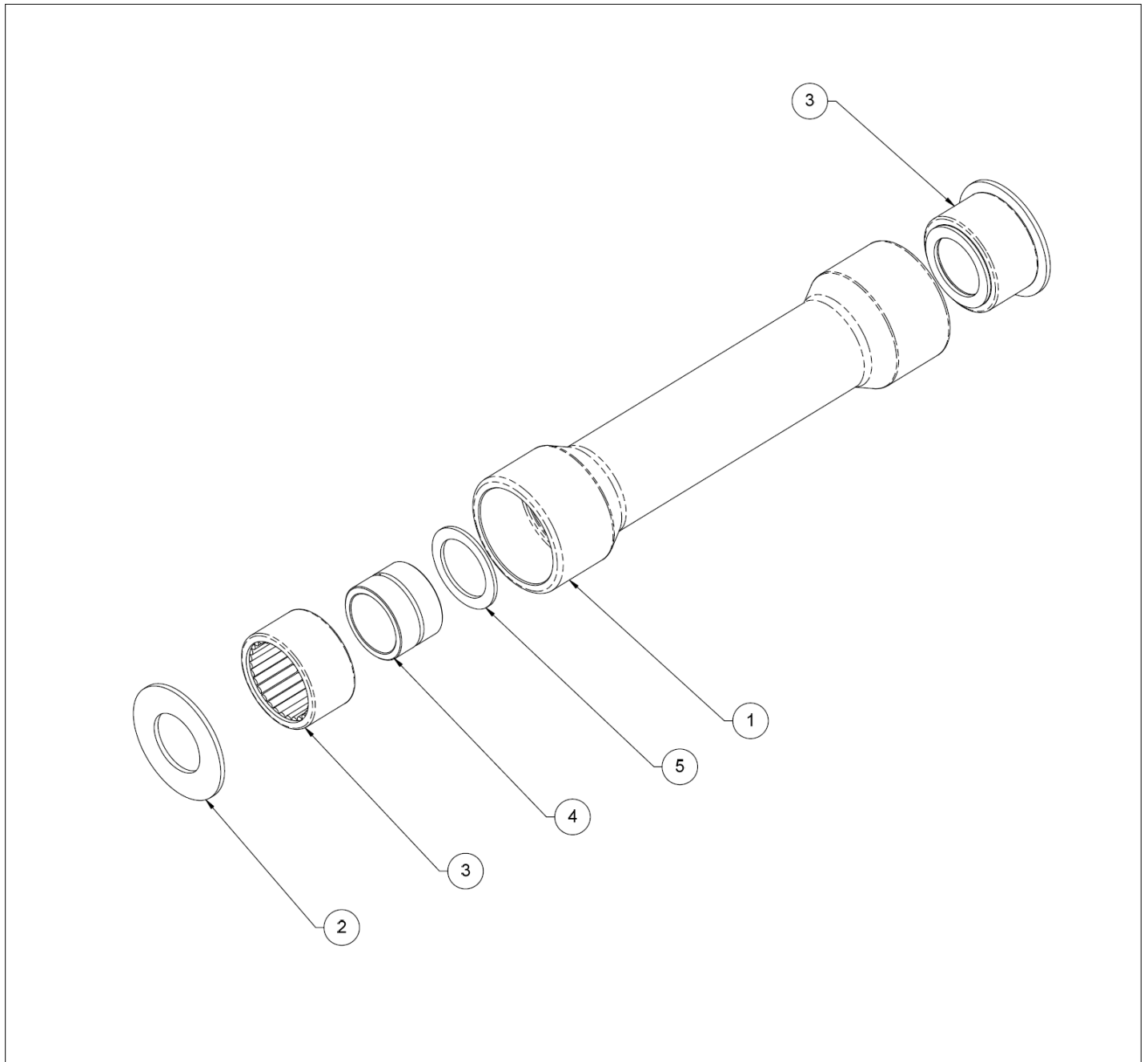


BOOM

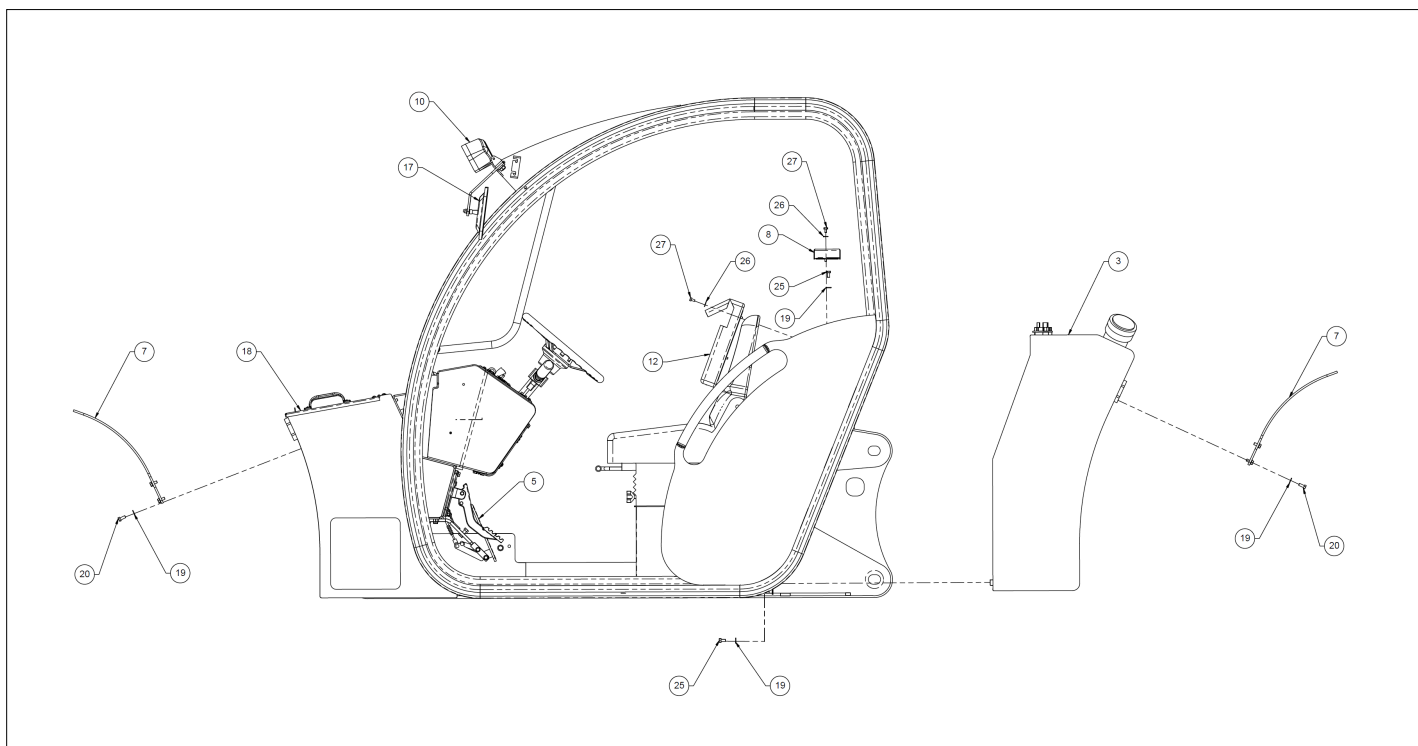


Item	Part No.	Name	Qty	Uom
REF	26664-000	MID BOOM ASSEMBLY	AR	EA
1	26665-000	1154 MID BOOM WELDMENT	1	EA
2	25270-000	HOSE GUIDE	2	EA
3	25284-000	HOSE SHEAVE	2	EA
4	25282-000	SHEAVE HUB	2	EA
5	25116-000	CHAIN SHEAVE ASSEMBLY	1	EA
6	25115-000	SHEAVE PIN WELDMENT	1	EA
7	25114-000	CHAIN SHEAVE ASSEMBLY	1	EA
8	13751-017	MACHINERY BUSHING 2-1/2 X 1-3/4	4	EA
9	25289-000	SLIDE BLOCK SHIM	8	EA
10	25283-000	SLIDE BLOCK SHIM	2	EA
11	25288-000	SLIDE BLOCK SPACER	2	EA
12	25122-000	SLIDE BLOCK ASSEMBLY	6	EA
13	10928-008	NUTSERT 1/4-20UNC X .260	2	EA
14	26009-000	ROLLER PIN	1	EA
15	25839-000	MID ROLLER ASSEMBLY	1	EA
16	26074-000	ROLLER PIN	1	EA
17	25865-000	ROLLER ASSEMBLY	2	EA
18	11402-200	RETAINING RING EXT SPIRAL 2 DIA	2	EA
19	11910-000	FITTING GREASE 1/8 NPT STRAIGHT	3	EA
20	11913-000	FITTING GREASE 1/4NPT STRAIGHT	2	EA
21	26068-000	MID BOOM COVER PLATE	1	EA
22	11002-008	2 EXTRA HEAVY GRADE 8 SAE WASHER	1	EA
23	FLW031308CZ	WASHER FLAT .313 GR8 C	6	EA
24	HH0518P08CZ040	HHCS .313-18 P GR8 C 2.500	2	EA
25	FLW050008CZ	WASHER FLAT .500 GR8 C	12	EA

BOOM



CAB AND COVERS



Item	Part No.	Name	Qty	Uom
REF	25757-002	ENGINE COVER ASSEMBLY	AR	EA
1	25540-001	ENGINE COVER	1	EA
2	24756-000	HOOD ROLLER ASSEMBLY (LHS)	2	EA
3	25669-000	HANDLE BACKING PLATE	2	EA
4	26017-000	ENGINE COVER GUIDE	2	EA
5	13552-002	LATCH KEEPER REF 13552-000	1	EA
6	13558-000	PULL HANDLE 6"	2	EA
7	12310-045	TRIM SEAL 1/4" X 44-1/2" LG	1	EA
8	FLW0010STCZ	WASHER FLAT #10 STL C	36	EA
9	10253-006	SCREW #10-24UNC PHM X 3/4	14	EA
10	NL1024STCZ	NUT HEX NL 10-24 STL C	22	EA
11	10273-008	SCREW 10-24UNC OHM X 1	8	EA
12	10292-008	SCREW #10 PWH TYPE-A X 3/4"	4	EA

Item	Part No.	Name	Qty	Uom
REF	25846-001	FILLER PLATE ASSEMBLY	AR	EA
1	10928-007	NUTSERT 1/4-20UNC X 0.165 GRIP	2	EA
2	25985-001	FILLER PLATE-REAR	1	EA

Item	Part No.	Name	Qty	Uom
REF	25859-000	FRONT CONTROL CONSOLE ASSEMBLY	AR	EA
1	25780-001	CONTROL ENCLOSURE SUB-ASSY	1	EA
2	25858-000	FRONT CONTROL PANEL ASSEMBLY	1	EA
3	26745-000	1145/54 STEERING COLUMN ASSEMBLY	1	EA
4	14656-000	SHIFTER	1	EA
5	25642-000	CONSOLE ACCESS PANEL HINGE	1	EA
6	14651-000	STEERING WHEEL	1	EA
7	14652-000	STEERING WHEEL NUT	1	EA
8	14653-000	HORN BUTTON	1	EA
9	12400-012	HOLE PLUG 3/4 DIA	1	EA
10	13110-000	OUTLET POWER	1	EA
11	12400-008	HOLE PLUG 1/2" DIAMETER	1	EA
12	13157-000	KEY SWITCH LUCAS 128 SA	1	EA
13	12311-003	TRIM SEAL 1/8" EDGE X 9" LG	1	EA
14	10101-006	SCREW 1/4-20UNC SBHC-SECURITY X 3/4"	8	EA
15	11015-011	WASHER M10 FLAT METRIC	4	EA
16	11940-011	NUT M10 REG HEX METRIC	2	EA
17	SH1015F12CZ030	SHCS M10X1.5 F 12.9 C 30	2	EA
18	FLW025008CZ	WASHER FLAT .250 GR8 C	21	EA
19	HH0420F08CZ012	HHCS .250-20 F GR8 C .750	12	EA
20	HN042008CZ	NUT HEX .250-20 GR8 C	9	EA

Item	Part No.	Name	Qty	Uom
REF	26758-000	ASSEMBLY, TOP CONSOLE COVER	AR	EA
1	26761-000	ASSY, TOP ACCESS COVER	1	EA
2	27258-000	BRACKET, ARM REST	1	EA
3	25665-001	REAR HANDLE SEAL	2	EA
4	25664-001	RETAINER, HANDLE SEAL	2	EA
5	25904-001	CONTROL BOOT	1	EA
6	25652-000	ARM REST PAD	1	EA
7	FLW031308CZ	WASHER FLAT .313 GR8 C	4	EA
8	HH0518F08CZ016	HHCS .313-18 F GR8 C 1.000	4	EA
9	SF0420PF8CZ028	SFHCS .250-20 P F835 C 1.750	3	EA
10	FLW025008CZ	WASHER FLAT .250 GR8 C	3	EA
11	NL042008CZ	NUT HEX NL .250-20 GR8 C	3	EA
12	10253-006	SCREW #10-24UNC PHM X 3/4	8	EA
13	FLW0010STCZ	WASHER FLAT #10 STL C	8	EA

Item	Part No.	Name	Qty	Uom
REF	25106-001	CARRIAGE PIN ASSEMBLY	AR	EA
1	25184-001	CARRIAGE PIN	1	EA
2	10822-010	SHOULDER EYE-BOLT 3/8-16UNC X 1-1/4	1	EA
3	25383-000	PIN RETAINER PLATE	1	EA
4	FLW037508CZ	WASHER FLAT .375 GR8 C	1	EA

XR1054-S T3 FORWARD REACH FORKLIFT PARTS
MANUAL

11910-000 .. 1-8, 1-9, 1-10, 1-11, 6-25, 6-26, 8-9, 8-10, 8-11, 8-12	12010-063	6-28
11913-000 8-9, 8-10, 8-11, 8-12, 8-13	12010-101	6-28
11915-000 6-19, 6-23, 6-26	12010-129	6-28
11940-011 9-15, 9-16	12010-130	6-28, 6-28
11956-000 8-6, 8-7, 8-8	12010-207	6-28
11957-000 8-6, 8-7, 8-8	12011-051	6-28
12000-013 6-28	12011-080	6-28
12000-024 6-28	12011-103	6-28
12000-042 6-28	12014-016	6-27
12002-015 6-28	12014-208	6-28
12002-064 6-28	12018-065	6-28
12002-098 6-28	12018-130	6-28
12002-120 6-28	12022-014	6-28
12003-008 6-28	12027-018	6-28
12003-015 6-28	12029-050	6-28
12003-017 6-28	12029-061	6-28
12003-020 6-28, 6-28	12036-065	6-28, 6-28
12003-045 6-28	12036-489	6-27
12004-022 6-28	12037-042	6-28, 6-28
12005-020 6-28, 6-28	12037-476	6-27
12006-042 6-28	12038-042	6-28, 6-28
12006-045 6-28, 6-28	12041-211	6-28, 6-28
12006-049 6-28	12046-021	6-28
12006-078 6-28	12048-052	6-28
12006-123 6-28	12049-031	6-28
12006-149 6-28, 6-28	12056-000	3-1, 3-2, 3-3
12007-149 6-28	12200-333	8-1, 8-2
12008-040 6-28	12201-179	8-1, 8-2
12008-082 6-28, 6-28	12210-000	1-15
12008-135 6-28, 6-28, 6-28, 6-28	12250-001	6-2
12010-019 6-28	12250-004	4-3
12010-046 6-28	12252-000	6-25
	12253-000	6-20

CLICK HERE TO **DOWNLOAD** THE COMPLETE MANUAL

- Thank you very much for reading the preview of the manual.
- You can download the complete manual from: www.heydownloads.com by clicking the link below



- Please note: If there is no response to CLICKING the link, please download this PDF first and then click on it.

CLICK HERE TO **DOWNLOAD** THE COMPLETE MANUAL