

# **XR1045 TIER III**

CLICK HERE TO **DOWNLOAD** THE COMPLETE MANUAL

- Thank you very much for reading the preview of the manual.
- You can download the complete manual from: [www.heydownloads.com](http://www.heydownloads.com) by clicking the link below



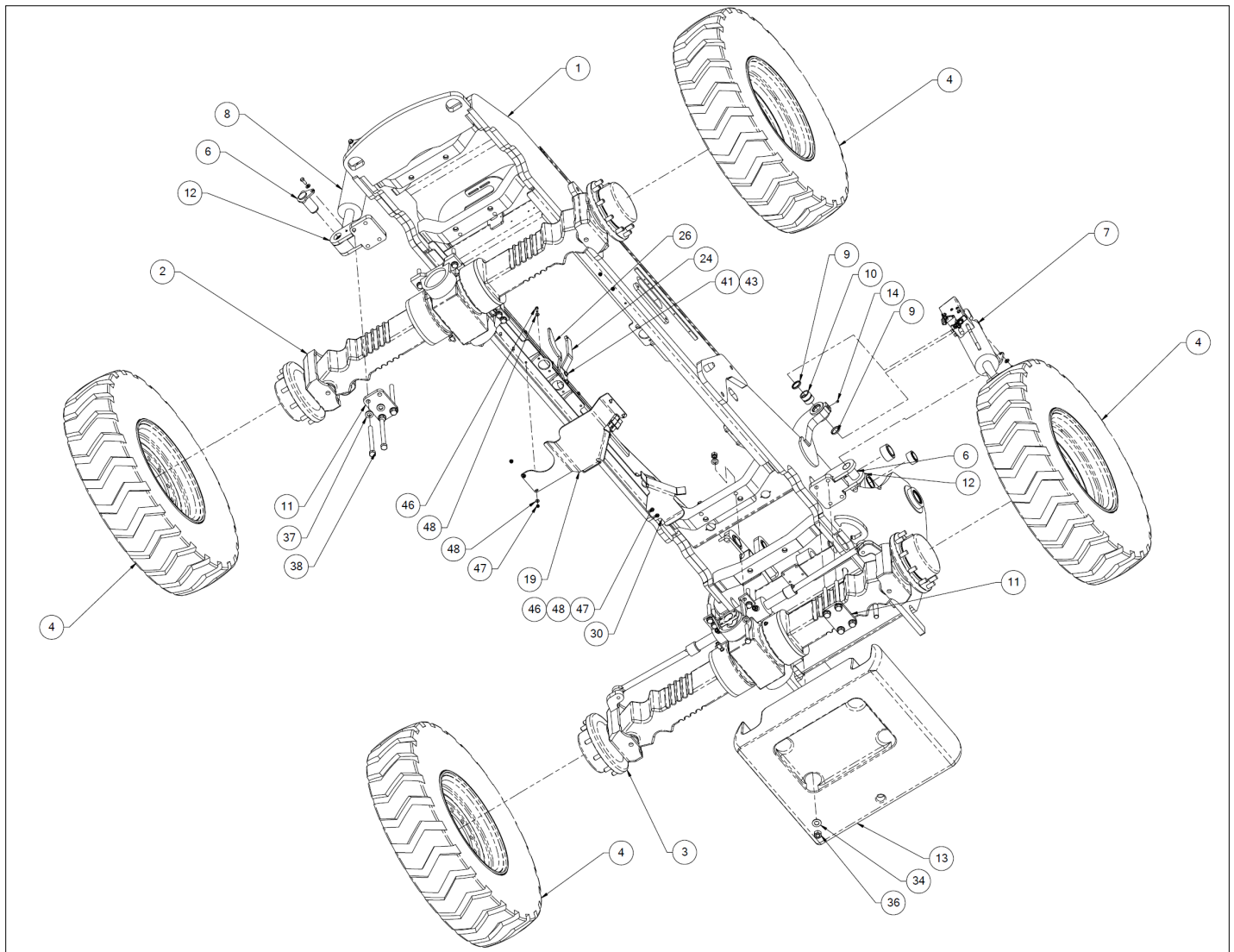
- Please note: If there is no response to CLICKING the link, please download this PDF first and then click on it.

CLICK HERE TO **DOWNLOAD** THE COMPLETE MANUAL

Item	Part No.	Name	Qty	Uom
REF	26633-002	1045 CHASSIS ASSEMBLY – ENGINE	AR	EA
1	26634-000	CHASSIS ASSEMBLY – AXLES	1	EA
2	25793-002	ENGINE TRANSMISSION ASSEMBLY	1	EA
3	14621-000	DRIVE SHAFT REAR/1045 FRONT	2	EA
4	12350-000	ISOLATOR MOUNT	2	EA
5	12353-000	ISOLATOR MOUNT - ENGINE/TRANS	4	EA
6	25946-000	ISOLATOR WASHER	2	EA
7	25728-000	RADIATOR ASSEMBLY	1	EA
8	14450-000	BATTERY 12VDC GRP31	1	EA
9	14451-000	BATTERY J-BOLT	2	EA
10	14452-000	BATTERY HOLD-DOWN	1	EA
11	25868-000	RADIATOR SHROUD ASSEMBLY	1	EA
12	13051-000	BACK-UP ALARM	1	EA
13	25769-000	ACCUMULATOR ASSEMBLY	2	EA
14	25767-000	BRAKE PRESSURE SWITCH ASSEMBLY	1	EA
15	25768-000	ACCUMULATOR CHARGE VALVE ASSEMBLY	1	EA
16	25211-001	DISTRIBUTION MANIFOLD ASSEMBLY	1	EA
17	25763-002	HIGH-PRESSURE FILTER / STEERING VALVE ASSEMBLY	1	EA
18	25212-004	ISOLATION MANIFOLD ASSEMBLY	1	EA
19	26613-000	BATTERY DISCONNECT SWITCH ASSEMBLY	1	EA
20	FLW062508CZ	WASHER FLAT .625 GR8 C	8	EA
21	10900-010	NUT 5/8-11UNC REG HEX	4	EA
22	HH1011P08CZ064	HHCS .625-11 P GR8 C 4.000	4	EA
23	FLW037508CZ	WASHER FLAT .375 GR8 C	43	EA

Item	Part No.	Name	Qty	Uom
24	10900-006	NUT 3/8-16UNC REG HEX	13	EA
25	972479	BLT HEXHD .375-16 1.25 GR5	8	EA
26	10002-012	SCREW 3/8-16 UNC HHC X 1-1/2	6	EA
27	FLW0010STCZ	WASHER FLAT #10 STL C	12	EA
28	NL1024STCZ	NUT HEX NL 10-24 STL C	6	EA
29	10303-006	SCREW #10-24UNC SBHC X 3/4	4	EA
30	FLW031308CZ	WASHER FLAT .313 GR8 C	8	EA
31	HH0518F08CZ012	HHCS .313-18 F GR8 C .750	4	EA
32	HH0616F08CZ016	HHCS .375-16 F GR8 C 1.000	9	EA
33	SH0420PA5CZ036	SHCS .250-20 P A574 C 2.250	2	EA
34	NL042008CZ	NUT HEX NL .250-20 GR8 C	2	EA
35	HH0518F08CZ016	HHCS .313-18 F GR8 C 1.000	4	EA
36	FLW025008CZ	WASHER FLAT .250 GR8 C	8	EA
37	HH0420F08CZ012	HHCS .250-20 F GR8 C .750	4	EA
38	HN042008CZ	NUT HEX .250-20 GR8 C	4	EA
39	10253-006	SCREW #10-24UNC PHM X 3/4	2	EA
40	10002-036	SCREW 3/8-16UNC HHC X 4-1/2	1	EA
41	11003-006	WASHER 3/8 FLAT FENDER	2	EA

CHASSIS



Item	Part No.	Name	Qty	Uom
REF	26632-010	CHASSIS ASSEMBLY – COVERS & CONSOLE	AR	EA
1	26633-002	1045 CHASSIS ASSEMBLY – ENGINE	1	EA
2	26657-000	SIDE CONTROL CONSOLE ASSEMBLY	1	EA
3	26654-000	SIDE CONSOLE COVER ASSEMBLY	1	EA
4	25758-001	FRONT COVER ASSEMBLY	1	EA
5	25757-001	ENGINE COVER ASSEMBLY	1	EA
6	13552-001	DRAW LATCH (REF 13552-000)	1	EA
7	25650-000	CONSOLE RETAINER BLOCK	1	EA
8	10864-004	STUD BOLT 5/8-11UNC X 2”	2	EA
9	25783-000	CONSOLE ROLLER ASSEMBLY	2	EA
10	25648-000	ROLLER WASHER	2	EA
11	11253-000	BALL END-GAS SPRING	2	EA
12	11252-001	GAS SPRING	2	EA
13	25510-000	MIRROR BRACKET	1	EA
14	13425-000	MIRROR 10 X 6-1/2 RECTANGULAR	1	EA
15	25658-000	CONSOLE ADJUSTING BLOCK	1	EA
16	25796-000	HITCH PIN ASSEMBLY	1	EA
17	25844-000	BATTERY COVER ASSEMBLY	1	EA
18	25843-000	RADIATOR COVER ASSEMBLY	1	EA
19	10304-006	SCREW 5/8 SHS X 3/4	2	EA
20	10900-010	NUT 5/8-11UNC REG HEX	2	EA
21	10902-008	NUT 1/2-13UNC HEX JAM	2	EA
22	FLW0010STCZ	WASHER FLAT #10 STL C	2	EA
23	10253-004	SCREW #10-24UNC PHM X 1/2	2	EA
24	FLW031308CZ	WASHER FLAT .313 GR8 C	3	EA
25	HH0518P08CZ032	HHCS .313-18 P GR8 C 2.000	3	EA
26	SH0518PA5CZ052	SHCS .313-18 P A574 C 3.250	2	EA

Item	Part No.	Name	Qty	Uom
1	18008-000	DATA PLATE	1	EA
2	18001-003	DASH OVERLAY	1	EA
3	18010-001	CAUTION, SLIP/TRIP HAZARD	1	EA
4	18011-001	CAUTION, ENGINE DAMAGE HAZARD	1	EA
5	18013-001	DIESEL ONLY	1	EA
6	18014-001	CHECK ENGINE OIL	1	EA
7	18015-001	CHECK/FILL COOLANT	1	EA
8	18016-001	CAUTION, BURN HAZARD	1	EA
9	18017-001	DANGER, CRUSHING HAZARD	2	EA
10	18018-001	DANGER, ELECTROCUTION HAZARD	8	EA
11	18018-002	DANGER, ELECTROCUTION HAZARD	1	EA
12	18019-001	DANGER, CRUSHING HAZARD	3	EA
13	18020-001	WARNING, TIP-OVER HAZARD	1	EA
14	18021-001	DANGER, CRUSHING HAZARD	1	EA
15	18022-001	WARNING, TIP OVER HAZARD	1	EA
16	18023-001	WARNING, WELDING AND MODIFICATION HAZARD	1	EA
17	18025-001	WARNING, FALLING HAZARD	1	EA
18	18026-001	WARNING, UNRESTRAINED OPERATOR HAZARD	1	EA
19	18027-001	DANGER, ROTATING EQUIPMENT HAZARD	1	EA
20	18031-001	WARNING, SAFE OPERATION CHECKLIST	1	EA
21	18032-001	WARNING, IMPROPER USE HAZARD	1	EA
22	18033-000	CONTROL, AUXILIARY	1	EA
23	18034-000	BOOM HANDLE CONTROL	1	EA
24	18039-000	BOOM ANGLE INDICATOR	1	EA

Item	Part No.	Name	Qty	Uom
51	17020-000	LOAD CHART, STANDARD CARRIAGE	1	EA
52	17021-000	LOAD CHART, SWING CARRIAGE	1	EA
53	17022-000	LOAD CHART, 12FT TRUSS	1	EA
54	17023-000	LOAD CHART, 15FT TRUSS	1	EA
55	17024-000	LOAD CHART, 3FT TRUSS WITH WINCH	1	EA
56	17025-000	LOAD CHART, 12FT TRUSS WITH WINCH	1	EA
57	17072-000	LOAD CHART, PERSONNEL PLATFORM	1	EA
58	17129-000	LOAD CHART, SLING MOUNT	1	EA
59	17000-000	LOAD CHART, FORK POSITIONING CARRIAGE	1	EA
60	17139-000	LOAD CHART, STANDARD CARRIAGE TELESCOPIC JIB	1	EA
61	17141-000	LOAD CHART, STANDARD CARRIAGE JIB	1	EA
62	17181-000	LOAD CHART, BOOM HOOK	1	EA

Item	Part No.	Name	Qty	Uom
1	18008-000	DATA PLATE	1	EA
2	18001-003	DASH OVERLAY	1	EA
3	18010-001	CAUTION, SLIP/TRIP HAZARD	1	EA
4	18011-001	CAUTION, ENGINE DAMAGE HAZARD	1	EA
5	18013-001	DIESEL ONLY	1	EA
6	18014-001	CHECK ENGINE OIL	1	EA
7	18015-001	CHECK/FILL COOLANT	1	EA
8	18016-001	CAUTION, BURN HAZARD	1	EA
9	18017-001	DANGER, CRUSHING HAZARD	2	EA
10	18018-001	DANGER, ELECTROCUTION HAZARD	8	EA
11	18018-002	DANGER, ELECTROCUTION HAZARD	1	EA
12	18019-001	DANGER, CRUSHING HAZARD	3	EA
13	18020-001	WARNING, TIP-OVER HAZARD	1	EA
14	18021-001	DANGER, CRUSHING HAZARD	1	EA
15	18022-001	WARNING, TIP OVER HAZARD	1	EA
16	18023-001	WARNING, WELDING AND MODIFICATION HAZARD	1	EA
17	18025-001	WARNING, FALLING HAZARD	1	EA
18	18026-001	WARNING, UNRESTRAINED OPERATOR HAZARD	1	EA
19	18027-001	DANGER, ROTATING EQUIPMENT HAZARD	1	EA
20	18031-001	WARNING, SAFE OPERATION CHECKLIST	1	EA
21	18032-001	WARNING, IMPROPER USE HAZARD	1	EA
22	18033-000	CONTROL, AUXILIARY	1	EA
23	18034-000	BOOM HANDLE CONTROL	1	EA
24	18039-000	BOOM ANGLE INDICATOR	1	EA

Item	Part No.	Name	Qty	Uom
51	17020-000	LOAD CHART, STANDARD CARRIAGE	1	EA
52	17021-000	LOAD CHART, SWING CARRIAGE	1	EA
53	17022-000	LOAD CHART, 12FT TRUSS	1	EA
54	17023-000	LOAD CHART, 15FT TRUSS	1	EA
55	17024-000	LOAD CHART, 3FT TRUSS WITH WINCH	1	EA
56	17025-000	LOAD CHART, 12FT TRUSS WITH WINCH	1	EA
57	17072-000	LOAD CHART, PERSONNEL PLATFORM	1	EA
58	17129-000	LOAD CHART, SLING MOUNT	1	EA
59	17000-000	LOAD CHART, FORK POSITIONING CARRIAGE	1	EA
60	17139-000	LOAD CHART, STANDARD CARRIAGE TELESCOPIC JIB	1	EA
61	17141-000	LOAD CHART, STANDARD CARRIAGE JIB	1	EA
62	17181-000	LOAD CHART, BOOM HOOK	1	EA

Item	Part No.	Name	Qty	Uom
1	18008-000	DATA PLATE	1	EA
2	18001-003	DASH OVERLAY	1	EA
3	18010-001	CAUTION, SLIP/TRIP HAZARD	1	EA
4	18011-001	CAUTION, ENGINE DAMAGE HAZARD	1	EA
5	18013-001	DIESEL ONLY	1	EA
6	18014-001	CHECK ENGINE OIL	1	EA
7	18015-001	CHECK/FILL COOLANT	1	EA
8	18016-001	CAUTION, BURN HAZARD	1	EA
9	18017-001	DANGER, CRUSHING HAZARD	2	EA
10	18018-001	DANGER, ELECTROCUTION HAZARD	8	EA
11	18018-002	DANGER, ELECTROCUTION HAZARD	1	EA
12	18019-001	DANGER, CRUSHING HAZARD	3	EA
13	18020-001	WARNING, TIP-OVER HAZARD	1	EA
14	18021-001	DANGER, CRUSHING HAZARD	1	EA
15	18022-001	WARNING, TIP OVER HAZARD	1	EA
16	18023-001	WARNING, WELDING AND MODIFICATION HAZARD	1	EA
17	18025-001	WARNING, FALLING HAZARD	1	EA
18	18026-001	WARNING, UNRESTRAINED OPERATOR HAZARD	1	EA
19	18027-001	DANGER, ROTATING EQUIPMENT HAZARD	1	EA
20	18031-001	WARNING, SAFE OPERATION CHECKLIST	1	EA
21	18032-001	WARNING, IMPROPER USE HAZARD	1	EA
22	18033-000	CONTROL, AUXILIARY	1	EA
23	18034-000	BOOM HANDLE CONTROL	1	EA
24	18039-000	BOOM ANGLE INDICATOR	1	EA

Item	Part No.	Name	Qty	Uom
54	10900-006	NUT 3/8-16UNC REG HEX	8	EA
55	972479	BLT HEXHD .375-16 1.25 GR5	2	EA
56	HH1015F10CZ025	HHCS M10X1.5 F 10.9 C 25	3	EA

Item	Part No.	Name	Qty	Uom
REF	25743-000	OVERFLOW RESERVOIR	AR	EA
1	25597-000	OVERFLOW TANK BRACKET	1	EA
2	13503-000	OVERFLOW TANK	1	EA
3	FLW025008CZ	WASHER FLAT .250 GR8 C	6	EA
4	HH0420F08CZ012	HHCS .250-20 F GR8 C .750	3	EA
5	HN042008CZ	NUT HEX .250-20 GR8 C	3	EA

Item	Part No.	Name	Qty	Uom
REF	27185-000-SP	DIPSTICK TUBE ASSY	AR	EA
1	27411-000	DIPSTICK TUBE WELDMENT	1	EA
2	25962-001	DIPSTICK	1	EA
3	12250-004	O-RING SEAL	1	EA

Item	Part No.	Name	Qty	Uom
-	25219-001-SP B	KIT, MICO BRAKE PEDAL XR1045-XR2045 ASSEMBLY		EA
1	25215-004	BRAKE VALVE ASSEMBLY	1	EA
2	12006-045-SP	HOSE ASY-6 6/90x6STR x45	2	EA
3	33753-000	ASSEMBLY, BRAKE LINE - MICO, 10" HOSE	1	EA

Item	Part No.	Name	Qty	Uom
REF	14504-000	WHEEL TIRE ASSEMBLY	AR	EA
1	14505-000	TIRE, 13.00 x 24 E3 (FOAM FILLED)	1	EA
2	14506-000	WHEEL 9 X 24	1	EA

Item	Part No.	Name	Qty	Uom
REF	25211-001	DISTRIBUTION MANIFOLD ASSEMBLY	AR	EA
1	14269-000	DISTRIBUTION MANIFOLD - 737 / 945	1	EA
2	11700-001	FITTING STRAIGHT -04MB-04MFS	5	EA
3	11700-009	FITTING - ORFS #6 X SAE #6 STRAIGHT	7	EA
4	11700-014	FITTING STRAIGHT 08MFS-08MB	5	EA
5	11700-024	FITTING STRAIGHT 12MFS-16MB	1	EA
6	11700-027	FITTING STRAIGHT 16MFS-16MB	2	EA
7	11702-001	FITTING ELBOW 90 -04MBA-04MFS	2	EA
8	11702-023	FITTING ELBOW 90 -16MBA-16MFS	1	EA
9	14361-000	FILTER	1	EA
10	14255-017	PRESSURE REDUCTION VALVE	1	EA
11	14255-010	PRESSURE REDUCTION VALVE	1	EA
12	14269-014	DIRECTIONAL VALVE	1	EA
13	14255-016	CARTRIDGE	1	EA
14	14255-012	CARTRIDGE	2	EA
15	14255-021	TEST POINT	4	EA
16	14255-018	CARTRIDGE	1	EA
17	14255-013	CARTRIDGE	1	EA
18	14255-015	CARTRIDGE	1	EA

Item	Part No.	Name	Qty	Uom
REF	25143-000	BOOM MANIFOLD ASSEMBLY	AR	EA
1	25334-000	BOOM MANIFOLD	1	EA
2	11700-014	FITTING STRAIGHT 08MFS-08MB	2	EA
3	11700-010	FITTING STRAIGHT 06MFS-08MB	2	EA

Item	Part No.	Name	Qty	Uom
REF	26322-000	MASTER CYLINDER ASSEMBLY	AR	EA
	26985-010	SEAL KIT	1	EA
1	26985-000	MASTER CYLINDER	1	EA
2	11702-011	FITTING, ELBOW 90 -08MBA-08MFS	1	EA
3	11700-014	FITTING STRAIGHT 08MFS-08MB	1	EA

CLICK HERE TO **DOWNLOAD** THE COMPLETE MANUAL

- Thank you very much for reading the preview of the manual.
- You can download the complete manual from: [www.heydownloads.com](http://www.heydownloads.com) by clicking the link below



- Please note: If there is no response to CLICKING the link, please download this PDF first and then click on it.

CLICK HERE TO **DOWNLOAD** THE COMPLETE MANUAL

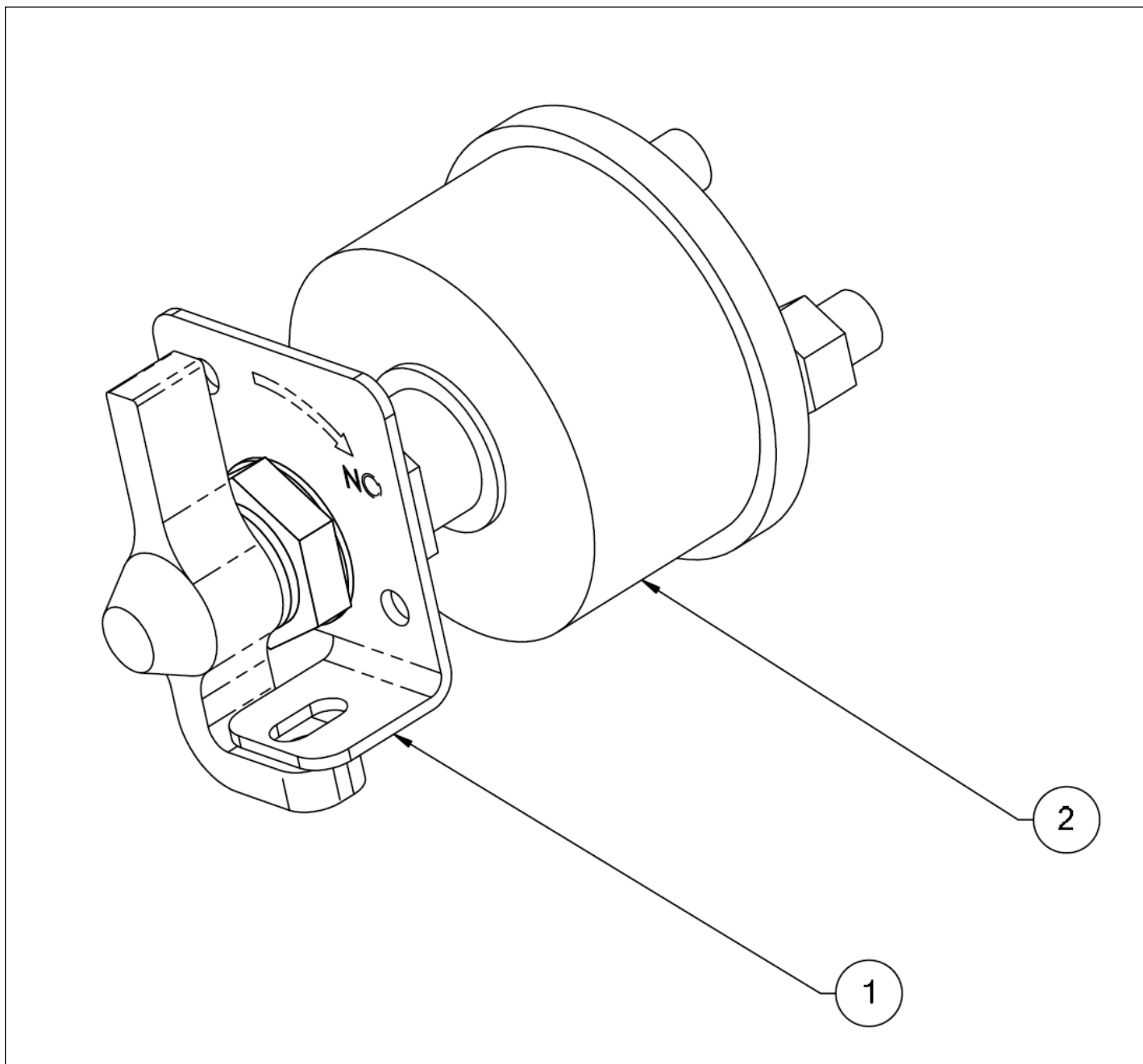
Item	Part No.	Name	Qty	Uom
REF	25131-000	EXT CYLINDER SUPPORT ASSEMBLY	AR	EA
1	26574-000	EXT TUBE SUPPORT WELDMENT	1	EA
2	25122-000	SLIDE BLOCK ASSEMBLY	1	EA
3	25298-000	SLIDE BLOCK	1	EA
4	FLW031308CZ	WASHER FLAT .313 GR8 C	4	EA
5	HH0518F08CZ020	HHCS .313-18 F GR8 C 1.250	4	EA
6	FLW050008CZ	WASHER FLAT .500 GR8 C	2	EA
7	HH0813F08CZ016	HHCS .500-13 F GR8 C 1.000	2	EA

Item	Part No.	Name	Qty	Uom
REF	25099-000	ROTATE CYLINDER SUB-ASSEMBLY	AR	EA
1	12252-000	GREASE SEAL 2-3/8 X 2	2	EA
2	13722-003	BEARING 2 X 2-3/8 X 1-1/8 CARRIAGE ROTATE CYLINDER	1	EA
3	25405-000	FITTING STRAIGHT 06MFS-06MB	1	EA

Item	Part No.	Name	Qty	Uom
REF	25097-000	AXLE CYLINDER SUBASSEMBLY	AR	EA
	25747-010	SEAL KIT (NOT SHOWN)	1	EA
1	25747-000	AXLE CYLINDER	1	EA
2	13722-004	BEARING 2" X 2-3/8" X 1-1/8"	1	EA
3	12252-000	GREASE SEAL 2-3/8 X 2	2	EA
4	11699-003	PLUG HEX SOC -04MB	2	EA
5	14220-000	COUNTERBALANCE VALVE	1	EA

Item	Part No.	Name	Qty	Uom
REF	25014-001	ELECTRICAL ASSEMBLY	AR	EA
1	25637-000	FRONT CONTROL PANEL	1	EA
2	25643-001	CONSOLE ACCESS PANEL	1	EA
3	25842-001	ELECTRICAL CENTER ASSEMBLY	1	EA
4	12754-000	HOUR METER	1	EA
5	12750-000	FUEL LEVEL GAUGE	1	EA
6	12751-000	OIL PRESSURE GAUGE	1	EA
7	12752-000	COOLANT TEMP GAUGE	1	EA
8	12753-000	VOLT GAUGE	1	EA
9	13158-001	TOGGLE SWITCH DPDT	2	EA
10	13158-002	TOGGLE SWITCH SPDT	1	EA
11	13158-004	TOGGLE SWITCH SPST	1	EA
12	13159-000	SWITCH GUARD	1	EA
13	13402-001	INDICATOR LIGHT RED	3	EA
14	13402-002	INDICATOR LIGHT AMBER	2	EA
15	13402-004	INDICATOR LIGHT GREEN	1	EA
16	26683-001	POWER SOLENOID ASSEMBLY	1	EA
17	26690-000	FUSE BLOCK ASSEMBLY	1	EA
18	25878-001	STRIP TERMINAL ASSEMBLY	1	EA
19	25878-002	STRIP TERMINAL ASSEMBLY	1	EA
20	25877-001	STRIP TERMINAL ASSEMBLY	1	EA
21	FLW025008CZ	WASHER FLAT .250 GR8 C	2	EA
22	10254-006	SCREW 1/4-20UNC PHM X 3/4	2	EA
23	NL1024STCZ	NUT HEX NL 10-24 STL C	12	EA
24	10253-004	SCREW #10-24UNC PHM X 1/2	12	EA

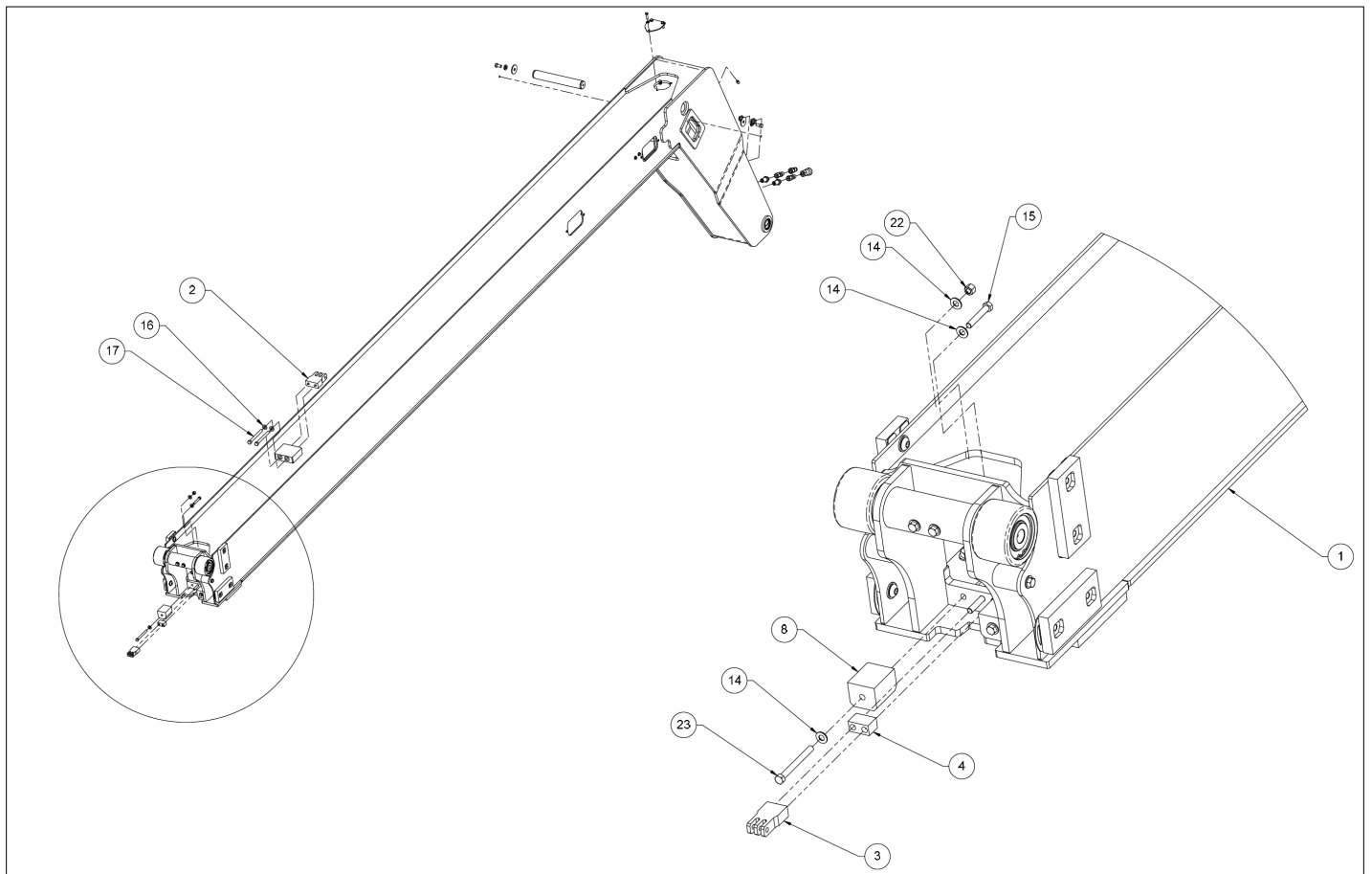
ELECTRICAL SYSTEM



Item	Part No.	Name	Qty	Uom
26	25375-000	SUPPORT CLAMP	2	EA
27	25589-001	BOOM HYDRAULIC TUBE ASSEMBLY #2	2	EA
28	25588-001	BOOM HYDRAULIC TUBE ASSEMBLY #1	2	EA
29	25443-000-SP	TUBE CLAMP ASSY #2	8	EA
30	25379-000	OUTER BOOM SHIELD	1	EA
31	25327-000	BOOM MOUNTING PIN	1	EA
32	26642-000	EXT CYLINDER PIN ASSEMBLY	1	EA
33	26103-000	PROXIMITY SWITCH BRACKET	1	EA
34	13151-000	PROXIMITY SWITCH	1	EA
35	FLW050008CZ	WASHER FLAT .500 GR8 C	33	EA
36	HH0813F08CZ020	HHCS .500-13 F GR8 C 1.250	8	EA
37	HH0813P08CZ040	HHCS .500-13 P GR8 C 2.500	2	EA
38	10900-008	NUT 1/2-13UNC REG HEX	5	EA
39	FLW037508CZ	WASHER FLAT .375 GR8 C	10	EA
40	HH0616F08CZ012	HHCS .375-16 F GR8 C .750	6	EA
41	HH0616F08CZ016	HHCS .375-16 F GR8 C 1.000	4	EA
42	HH0813F08CZ016	HHCS .500-13 F GR8 C 1.000	3	EA
43	HH0813P08CZ064	HHCS .500-13 P GR8 C 4.000	1	EA
44	FLW025008CZ	WASHER FLAT .250 GR8 C	24	EA
45	HH0420F08CZ012	HHCS .250-20 F GR8 C .750	20	EA
46	HH0420F08CZ010	HHCS .250-20 F GR8 C .625	4	EA
47	11002-008	2 EXTRA HEAVY GRADE 8 SAE WASHER	2	EA
48	10105-007	SCREW 1/2-13UNC SBHC X 7/8	16	EA

Item	Part No.	Name	Qty	Uom
26	HH0813P08CZ032	HHCS .500-13 P GR8 C 2.000	4	EA
27	10154-004	SCREW 1/4-20UNC FSHC X 1/2	2	EA
28	HH0813F08CZ020	HHCS .500-13 F GR8 C 1.250	1	EA
29	FLW037508CZ	WASHER FLAT .375 GR8 C	16	EA
30	HH0616F08CZ016	HHCS .375-16 F GR8 C 1.000	12	EA
31	HH0518P08CZ064	HHCS .313-18 P GR8 C 4.000	2	EA
32	HN051808CZ	NUT HEX .313-18 GR8 C	2	EA
33	10002-026	SCREW 3/8-16UNC HHC X 3-1/4	2	EA
34	10900-006	NUT 3/8-16UNC REG HEX	2	EA
35	10105-007	SCREW 1/2-13UNC SBHC X 7/8	8	EA
36	18053-000	BOOM LETTERING 1045 A-B-C-D	1	EA
37	18054-000	BOOM LETTERING 1045 E-F	1	EA
38	18055-000	BOOM LETTERING G-H	1	EA

BOOM



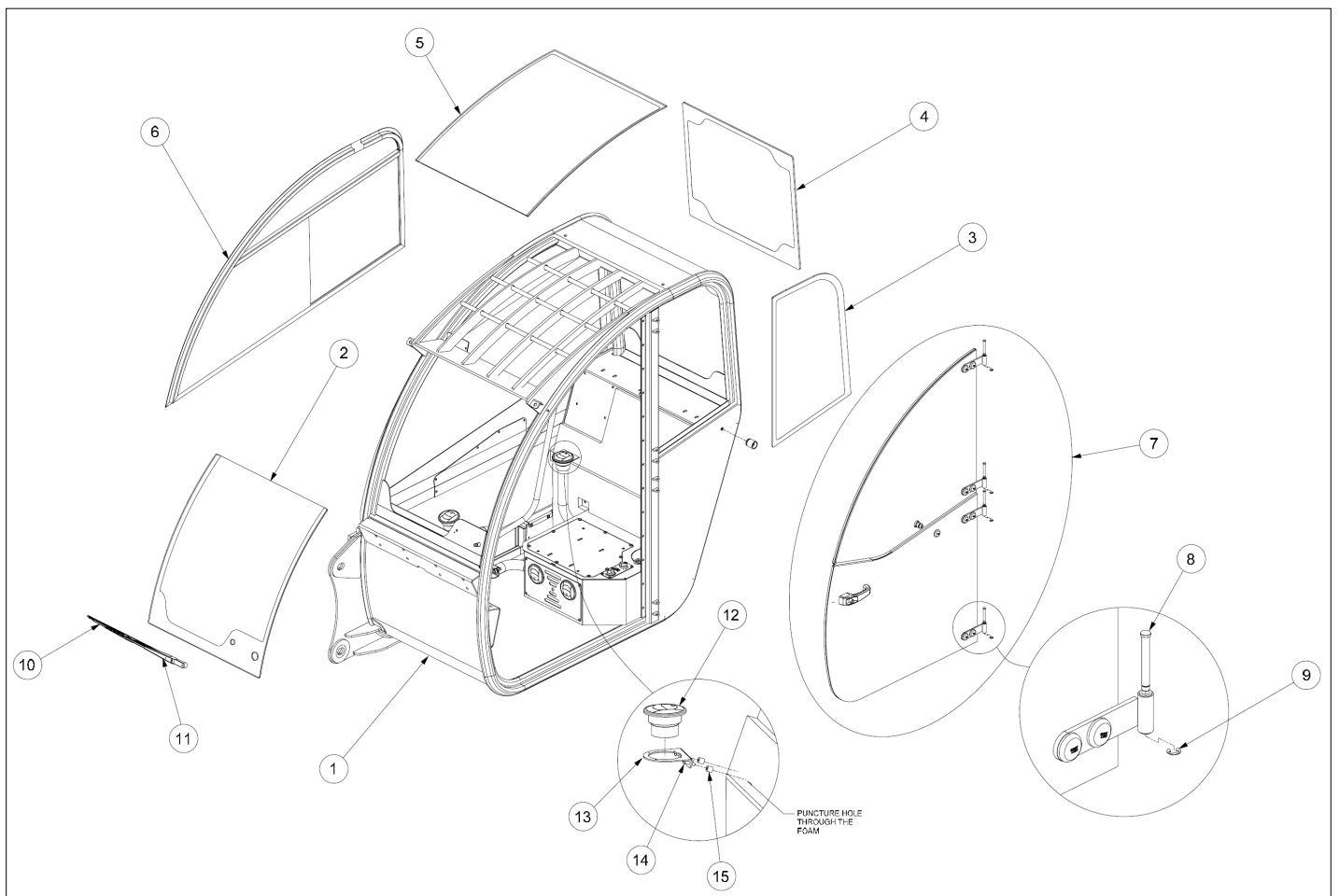
Item	Part No.	Name	Qty	Uom
REF	26325-000	ANGLE INDICATOR ASSEMBLY	AR	EA
1	26163-001	ANGLE INDICATOR	1	EA
2	13714-008	BUSHING 5/8 ID X 7/8 OD FIBER X 1/2 LG	1	EA
3	11018-010	WASHER 5/8 DIA UHMW FLAT	2	EA

Item	Part No.	Name	Qty	Uom
REF	25133-000	ROLLER ASSEMBLY	AR	EA
1	25307-000	ROLLER	1	EA
2	13803-000	OUTER ROLLER BEARING	1	EA
3	13802-000	BEARING INNER RACE	1	EA
4	26156-000	BEARING RETAINER	1	EA
5	25358-000	BEARING RETAINER	1	EA
6	11400-300	RETAINING RING-INTERNAL 3.00 DIA	2	EA
7	13760-001	TORRINGTON #TRD-2840 THRUST WASHER	1	EA

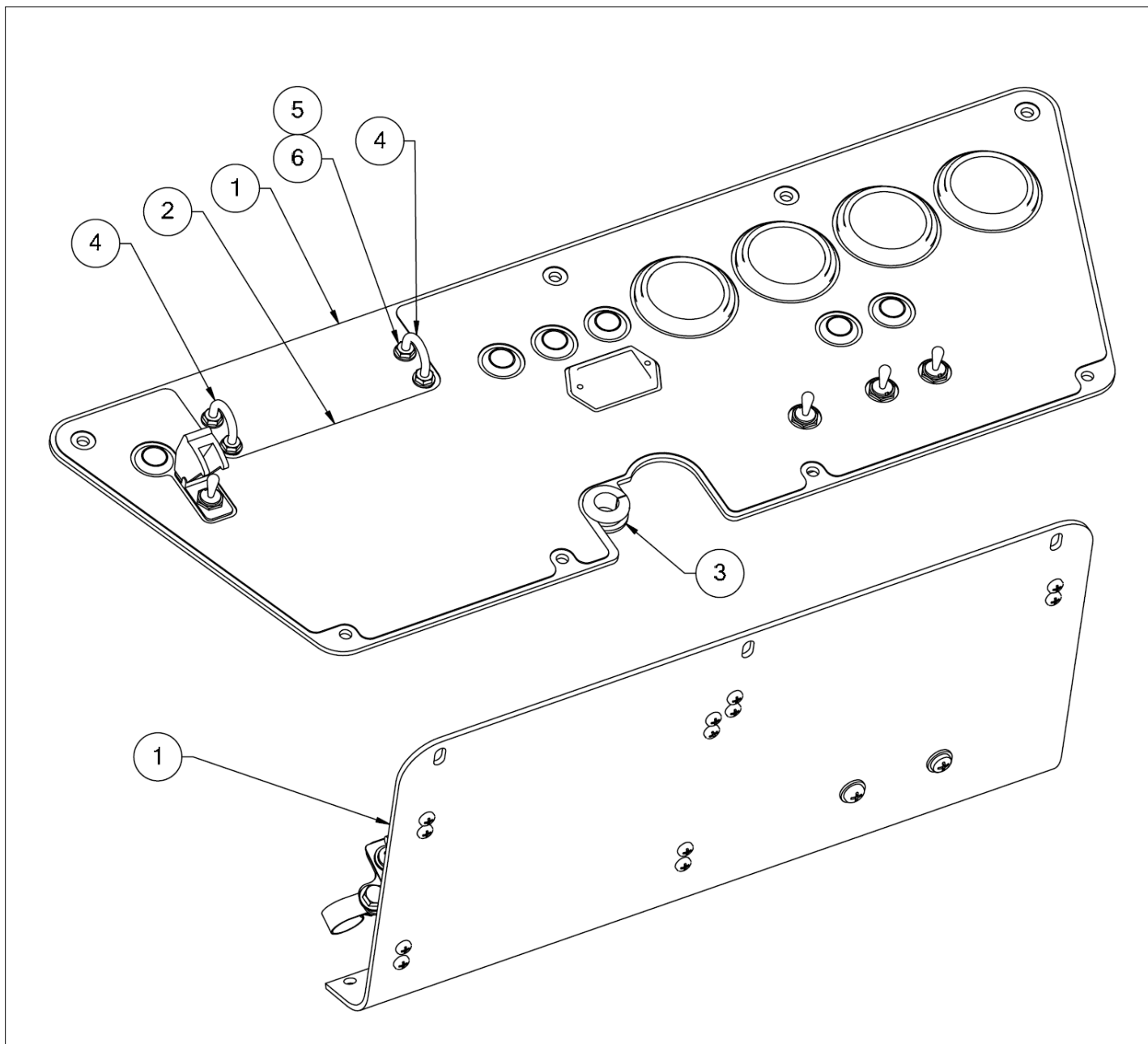
Item	Part No.	Name	Qty	Uom
REF	25443-000-SP	TUBE CLAMP ASSY #2	AR	EA
1	11356-000	STIRRUP-TUBE CLAMP #2	1	EA
2	11355-000	BODY-TUBE CLAMP #2 X 5/8	1	EA
3	11354-000	SLEEVE-TUBE CLAMP	1	EA
4	11357-000	SCREW #6x25 HEX HEAD	1	EA

Item	Part No.	Name	Qty	Uom
REF	27407-000	CAB ASSEMBLY	AR	EA
1	27405-000	CAB WELDMENT (OPEN)	1	EA
2	25781-001	FRONT CONTROL CONSOLE ASSEMBLY	1	EA
3	25738-000	FUEL TANK ASSEMBLY	1	EA
4	25215-000	BRAKE VALVE ASSY	1	EA
5	25779-000	ACCELERATOR PEDAL ASSEMBLY	1	EA
6	14666-000	SEAT ASSY MSG85721-1137721	1	EA
7	25646-000	SPLASH GUARD	2	EA
8	25983-001	FUEL SENDER COVER NC GRY	1	EA
9	25981-001	FILLER PLATE NC	1	EA
10	13408-000	FLOOD LIGHT	2	EA
11	12300-000	HOLE GROMMET 1-5/16" ID	1	EA
12	13300-000	MANUAL CASE-LARGE CUSTOM PAK*	1	EA
13	14659-000	INDICATOR SIDE SLOPE	1	EA
14	13428-000	MIRROR ARM	1	EA
15	13427-000	MIRROR (8 X 5 CONVEX)	1	EA
16	25572-001	MIRROR BRACKET GRY	1	EA
17	13426-000	MIRROR 10" X 6-1/2"	1	EA
18	FLW031308CZ	WASHER FLAT .313 GR8 C	32	EA
19	HH0518F08CZ012	HHCS .313-18 F GR8 C .750	17	EA
20	FLW037508CZ	WASHER FLAT .375 GR8 C	8	EA
21	972479	BLT HEXHD .375-16 1.25 GR5	4	EA
22	10900-006	NUT 3/8-16UNC REG HEX	4	EA
23	HH0518F08CZ016	HHCS .313-18 F GR8 C 1.000	7	EA
24	HH0518F08CZ010	HHCS .313-18 F GR8 C .625	8	EA
25	FLW025008CZ	WASHER FLAT .250 GR8 C	8	EA
26	HH0420F08CZ008	HHCS .250-20 F GR8 C .500	6	EA

CAB and COVERS

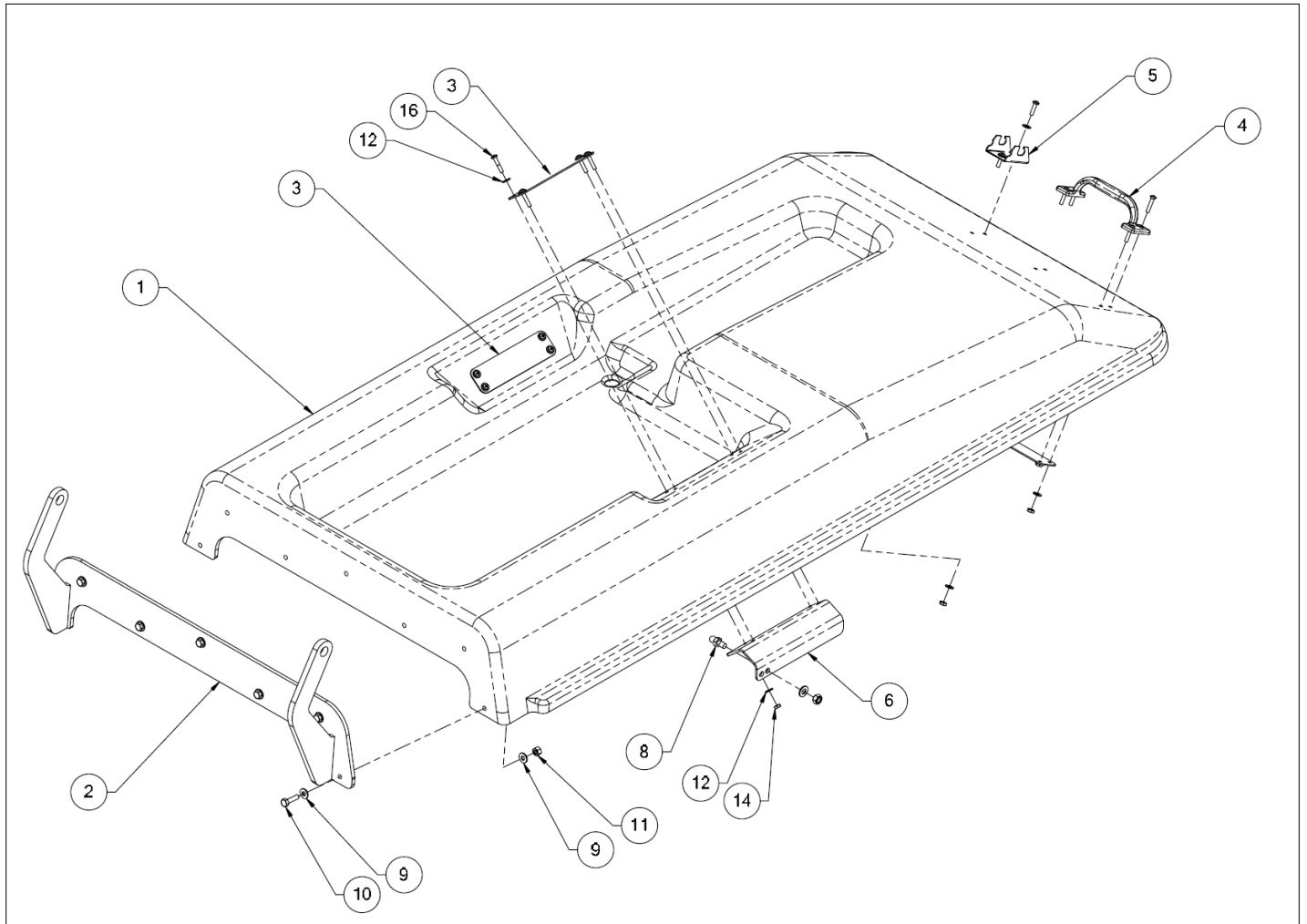


CAB and COVERS

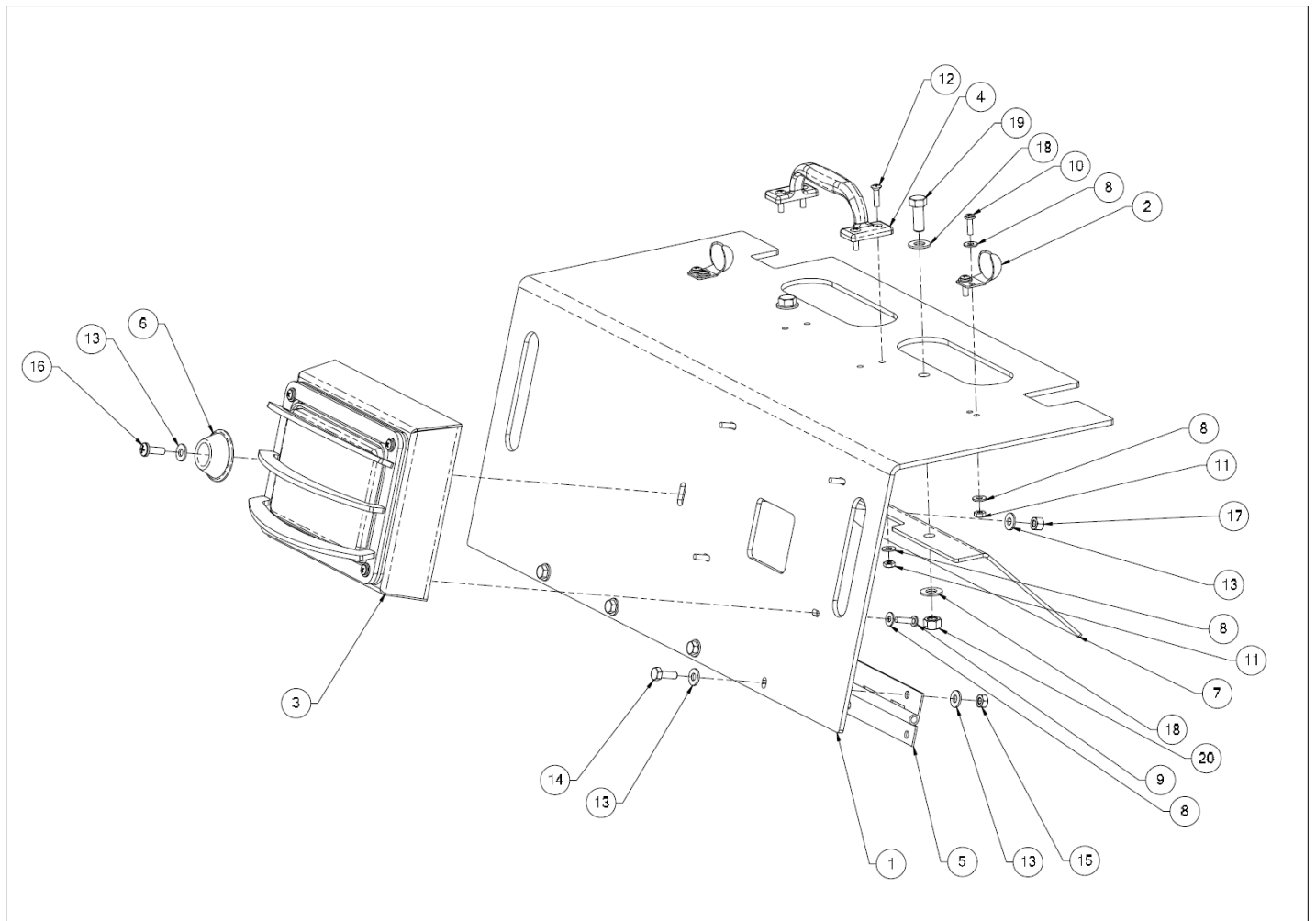


Item	Part No.	Name	Qty	Uom
27	HH0420F08CZ012	HHCS .250-20 F GR8 C .750	12	EA
28	11015-010	WASHER M8 FLAT METRIC	4	EA
29	HH0812F10CZ016	HHCS M8X1.25 F 10.9 C 16	4	EA
30	NL1024STCZ	NUT HEX NL 10-24 STL C	2	EA

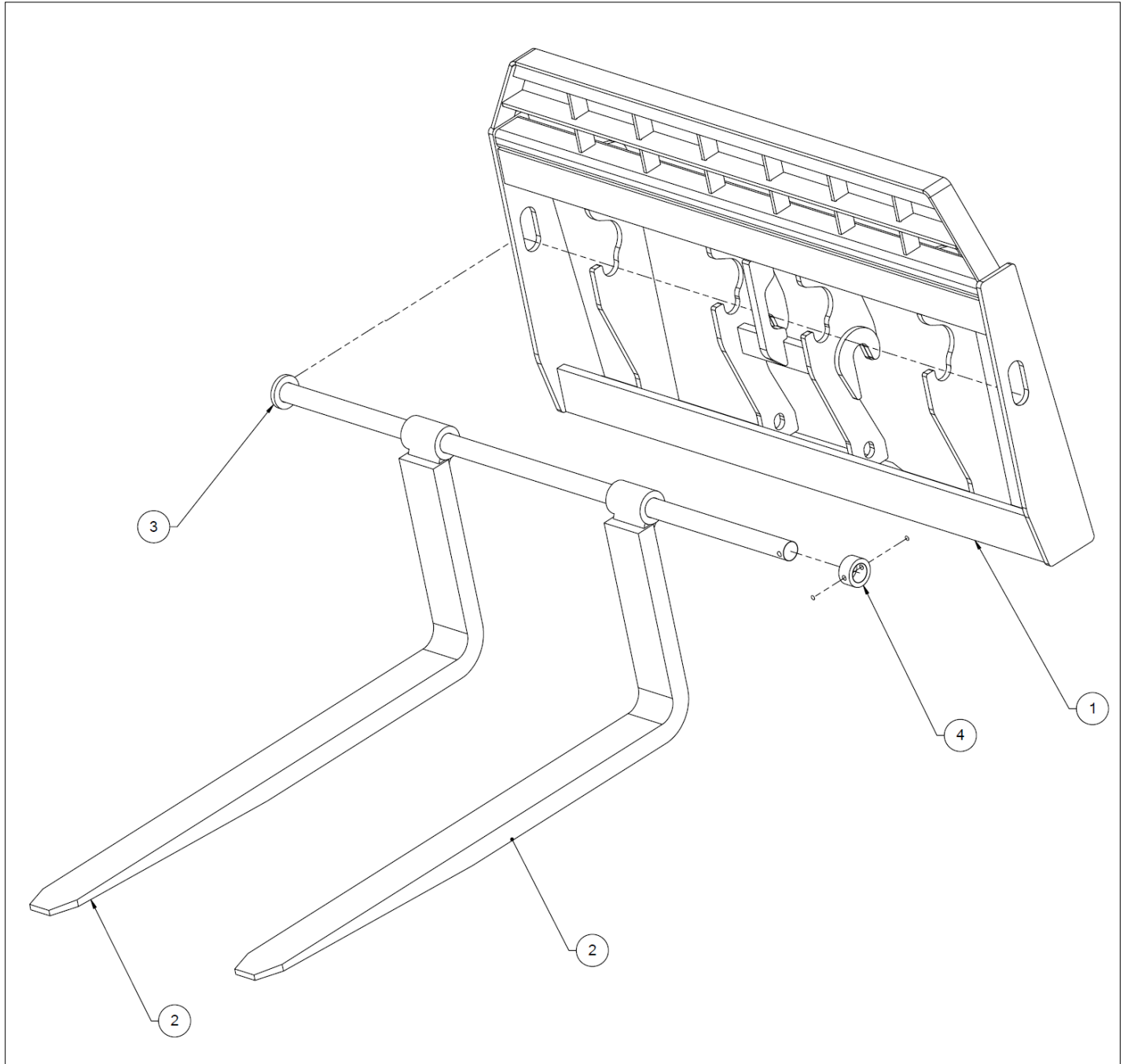
CAB and COVERS



CAB and COVERS



ATTACHMENTS



## Appendix A:Pages Index

ACCELERATOR PEDAL ASSEMBLY ...	9-19	CARRIAGE TILT CYLINDER SUBASSEMBLY .	6-23
ACCUMULATOR ASSEMBLY .....	5-5	CHAIN SHEAVE ASSEMBLY .....	8-20, 8-21
ACCUMULATOR CHARGE VALVE ASSEMBLY .....	5-6	CHASSIS ASSEMBLY - AXLES (1 OF 3) .....	1-8
ADAPTER ASSEMBLY .....	8-14	CHASSIS ASSEMBLY - AXLES (2 OF 3) .....	1-9
AIR CLEANER ASSEMBLY .....	3-7	CHASSIS ASSEMBLY - AXLES (3 OF 3) .....	1-10
ANGLE INDICATOR ASSEMBLY .....	8-13	CHASSIS ASSEMBLY - COVERS AND CONSOLE (1 OF 3) .....	1-11
AXLE CYLINDER SUBASSEMBLY .....	6-30	CHASSIS ASSEMBLY - COVERS AND CONSOLE (2 OF 3) .....	1-12
AXLE SWAY CYLINDER ASSEMBLY - REAR (29364-000) .....	6-27	CHASSIS ASSEMBLY - COVERS AND CONSOLE (3 OF 3) .....	1-13
AXLE SWAY CYLINDER ASSEMBLY-FRONT (29363-000) .....	6-26	CHASSIS ASSEMBLY - ENGINE (1 OF 5) .....	1-3
AXLE SWAY CYLINDER SUB-ASSEMBLY (29362-000R1) .....	6-28	CHASSIS ASSEMBLY - ENGINE (2 OF 5) .....	1-4
BASIC ASSEMBLY .....	1-1	CHASSIS ASSEMBLY - ENGINE (3 OF 5) .....	1-5
BATTERY COVER ASSEMBLY .....	9-25	CHASSIS ASSEMBLY - ENGINE (4 OF 5) .....	1-6
BATTERY DISCONNECT SWITCH ASSEMBLY .....	7-8	CHASSIS ASSEMBLY - ENGINE (5 OF 5) .....	1-7
BELLEVILLE SPRING STACK .....	8-22	CHASSIS HOSE KIT .....	6-32
BOOM ASSEMBLY .....	8-1	CONSOLE ROLLER ASSEMBLY .....	9-29
BOOM MANIFOLD ASSEMBLY .....	6-10	CONTROL ENCLOSURE SUBASSEMBLY (1 of 2) 9-13	
BRAKE PRESSURE SWITCH ASSEMBLY	5-7	CONTROL ENCLOSURE SUBASSEMBLY (2 of 2) 9-14	
BRAKE VALVE ASSEMBLY .....	5-2	CYLINDER COLLAR ASSEMBLY .....	6-18
BRAKE VALVE ASSEMBLY, MICO .....	5-4	DIPSTICK TUBE ASSEMBLY .....	4-3
CAB ASSEMBLY (1 of 5) .....	9-1	DISTRIBUTION MANIFOLD ASSEMBLY (1 of 3) .	6-5
CAB ASSEMBLY (2 of 5) .....	9-2	DISTRIBUTION MANIFOLD ASSEMBLY (2 of 3) .	6-6
CAB ASSEMBLY (3 of 5) .....	9-3	DISTRIBUTION MANIFOLD ASSEMBLY - VALVES (3 of 3) .....	6-7
CAB ASSEMBLY (4 of 5) .....	9-4	ELECTRICAL ASSEMBLY (1 of 2) .....	7-1
CAB ASSEMBLY (5 of 5) .....	9-5	ELECTRICAL ASSEMBLY (2 of 2) .....	7-2
CARRIAGE PIN ASSEMBLY .....	10-5	ELECTRICAL CENTER ASSEMBLY .....	7-3
CARRIAGE POST ASSEMBLY .....	10-4	ENCLOSED CAB ASSEMBLY (1 of 2) .....	9-7
CARRIAGE TILT CYLINDER ASSEMBLY .	6-22		

CLICK HERE TO **DOWNLOAD** THE COMPLETE MANUAL

- Thank you very much for reading the preview of the manual.
- You can download the complete manual from: [www.heydownloads.com](http://www.heydownloads.com) by clicking the link below



- Please note: If there is no response to CLICKING the link, please download this PDF first and then click on it.

CLICK HERE TO **DOWNLOAD** THE COMPLETE MANUAL