

XR842 TIER 3 PARTS MANUAL (2008)

CLICK HERE TO **DOWNLOAD** THE COMPLETE MANUAL

- Thank you very much for reading the preview of the manual.
- You can download the complete manual from: www.heydownloads.com by clicking the link below



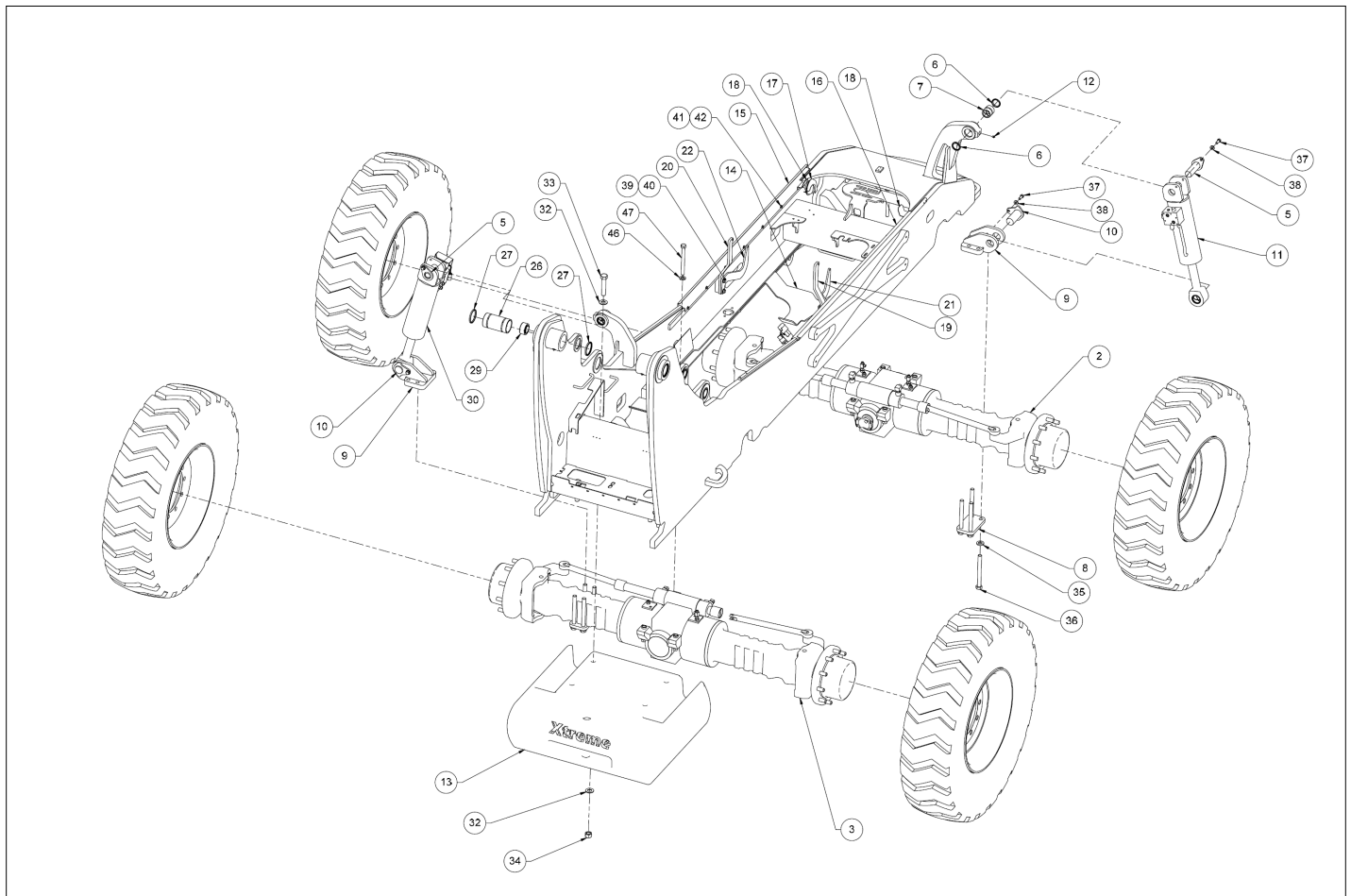
- Please note: If there is no response to CLICKING the link, please download this PDF first and then click on it.

CLICK HERE TO **DOWNLOAD** THE COMPLETE MANUAL

Item	Part No.	Name	Qty	Uom
REF	26711-001	CHASSIS ASSEMBLY – ENGINE	AR	EA
1	26710-000	742 CHASSIS SUBASSEMBLY (AXLES)	1	EA
2	26520-001	ENGINE/TRANSMISSION ASSEMBLY	1	EA
3	14612-000	UNIVERSAL DRIVE SHAFT	1	EA
4	14611-000	UNIVERSAL DRIVE SHAFT	1	EA
5	12350-000	ISOLATOR MOUNT	2	EA
6	12353-000	ISOLATOR MOUNT - ENGINE/TRANS	4	EA
7	25946-000	ISOLATOR WASHER	2	EA
8	26516-000	RADIATOR ASSEMBLY	1	EA
9	14450-000	BATTERY 12VDC GRP31	1	EA
10	14451-000	BATTERY J-BOLT	2	EA
11	14452-000	BATTERY HOLD-DOWN	1	EA
12	13051-000	BACK-UP ALARM	1	EA
13	25868-000	RADIATOR SHROUD ASSEMBLY	1	EA
14	26682-000	ACCUMULATOR ASSEMBLY	1	EA
15	25211-001	DISTRIBUTION MANIFOLD ASSEMBLY	1	EA
16	25763-002	HIGH-PRESSURE FILTER / STEERING VALVE ASSEMBLY	1	EA
17	25212-004	ISOLATION MANIFOLD ASSEMBLY	1	EA
18	26613-000	BATTERY DISCONNECT SWITCH ASSEMBLY	1	EA
19	11003-006	WASHER 3/8 FLAT FENDER	2	EA
20	FLW062508CZ	WASHER FLAT .625 GR8 C	8	EA
21	10900-010	NUT 5/8-11UNC REG HEX	4	EA
22	HH1011P08CZ064	HHCS .625-11 P GR8 C 4.000	4	EA
23	FLW037508CZ	WASHER FLAT .375 GR8 C	37	EA
24	10900-006	NUT 3/8-16UNC REG HEX	9	EA

Item	Part No.	Name	Qty	Uom
25	972479	BLT HEXHD .375-16 1.25 GR5	8	EA
26	10002-012	SCREW 3/8-16 UNC HHC X 1-1/2	6	EA
27	FLW0010STCZ	WASHER FLAT #10 STL C	12	EA
28	NL1024STCZ	NUT HEX NL 10-24 STL C	6	EA
29	10303-006	SCREW #10-24UNC SBHC X 3/4	4	EA
30	FLW031308CZ	WASHER FLAT .313 GR8 C	10	EA
31	HH0518F08CZ012	HHCS .313-18 F GR8 C .750	4	EA
32	HH0616F08CZ016	HHCS .375-16 F GR8 C 1.000	7	EA
33	SH0420PA5CZ036	SHCS .250-20 P A574 C 2.250	2	EA
34	NL042008CZ	NUT HEX NL .250-20 GR8 C	2	EA
35	HH0518F08CZ016	HHCS .313-18 F GR8 C 1.000	4	EA
36	10253-006	SCREW #10-24UNC PHM X 3/4	2	EA
37	FLW025008CZ	WASHER FLAT .250 GR8 C	8	EA
38	HN042008CZ	NUT HEX .250-20 GR8 C	4	EA
39	HH0420F08CZ012	HHCS .250-20 F GR8 C .750	4	EA
40	10002-036	SCREW 3/8-16UNC HHC X 4-1/2	1	EA
41	10021-024	SCREW 5/16-24UNF HHC X 3	2	EA
42	27424-000	BRAKE CHARGE VALVE ASSEMBLY	1	EA

CHASSIS



Item	Part No.	Name	Qty	Uom
REF	26712-010	CHASSIS ASSEMBLY – COVERS & CONSOLE	AR	EA
1	26711-001	CHASSIS ASSEMBLY – ENGINE	1	EA
2	26657-000	SIDE CONTROL CONSOLE ASSEMBLY	1	EA
3	26654-000	SIDE CONSOLE COVER ASSEMBLY	1	EA
4	25758-001	FRONT COVER ASSEMBLY	1	EA
5	25757-001	ENGINE COVER ASSEMBLY	1	EA
6	13552-001	DRAW LATCH (REF 13552-000)	1	EA
7	25843-000	RADIATOR COVER ASSEMBLY	1	EA
8	25844-000	BATTERY COVER ASSEMBLY	1	EA
9	25650-000	CONSOLE RETAINER BLOCK	1	EA
10	10864-004	STUD BOLT 5/8-11UNC X 2"	2	EA
11	25783-000	CONSOLE ROLLER ASSEMBLY	2	EA
12	25648-000	ROLLER WASHER	2	EA
13	11253-000	BALL END-GAS SPRING	2	EA
14	11252-001	GAS SPRING	2	EA
15	25510-000	MIRROR BRACKET	1	EA
16	13425-000	MIRROR 10 X 6-1/2 RECTANGULAR	1	EA
17	25658-000	CONSOLE ADJUSTING BLOCK	1	EA
18	25796-000	HITCH PIN ASSEMBLY	1	EA
19	10304-006	SCREW 5/8 SHS X 3/4	2	EA
20	10900-010	NUT 5/8-11UNC REG HEX	2	EA
21	10902-008	NUT 1/2-13UNC HEX JAM	2	EA
22	FLW0010STCZ	WASHER FLAT #10 STL C	2	EA
23	10253-004	SCREW #10-24UNC PHM X 1/2	2	EA
24	FLW031308CZ	WASHER FLAT .313 GR8 C	3	EA
25	HH0518P08CZ032	HHCS .313-18 P GR8 C 2.000	3	EA
26	SH0518PA5CZ052	SHCS .313-18 P A574 C 3.250	2	EA

Item	Part No.	Name	Qty	Uom
1	18008-000	DATA PLATE	1	EA
2	18001-001	DASH OVERLAY	1	EA
3	18010-001	CAUTION, SLIP/TRIP HAZARD	1	EA
4	18011-001	CAUTION, ENGINE DAMAGE HAZARD	1	EA
5	18013-001	DIESEL ONLY	1	EA
6	18014-001	CHECK ENGINE OIL	1	EA
7	18015-001	CHECK/FILL COOLANT	1	EA
8	18016-001	CAUTION, BURN HAZARD	1	EA
9	18017-001	DANGER, CRUSHING HAZARD	2	EA
10	18018-001	DANGER, ELECTROCUTION HAZARD	7	EA
11	18018-002	DANGER, ELECTROCUTION HAZARD	1	EA
12	18019-001	DANGER, CRUSHING HAZARD	3	EA
13	18020-001	WARNING, TIP-OVER HAZARD	1	EA
14	18021-001	DANGER, CRUSHING HAZARD	1	EA
15	18022-001	WARNING, TIP OVER HAZARD	1	EA
16	18023-001	WARNING, WELDING AND MODIFICATION HAZARD	1	EA
17	18025-001	WARNING, FALLING HAZARD	1	EA
18	18026-001	WARNING, UNRESTRAINED OPERATOR HAZARD	1	EA
19	18027-001	DANGER, ROTATING EQUIPMENT HAZARD	1	EA
20	18031-001	WARNING, SAFE OPERATION CHECKLIST	1	EA
21	18032-001	WARNING, IMPROPER USE HAZARD	1	EA
22	18033-000	CONTROL, AUXILIARY	1	EA
23	18034-000	BOOM HANDLE CONTROL	1	EA
24	18039-000	BOOM ANGLE INDICATOR	1	EA

Item	Part No.	Name	Qty	Uom
51	17014-000	LOAD CHART, STANDARD CARRIAGE	1	EA
52	17015-000	LOAD CHART, SWING CARRIAGE	1	EA
53	17016-000	LOAD CHART, 12 FOOT TRUSS BOOM	1	EA
54	17017-000	LOAD CHART, 15 FOOT TRUSS BOOM	1	EA
55	17018-000	LOAD CHART, 3FT TRUSS WITH WINCH	1	EA
56	17019-000	LOAD CHART, 12FT TRUSS WITH WINCH	1	EA
57	17071-000	LOAD CHART, PERSONNEL PLATFORM	1	EA
58	17128-000	LOAD CHART, SLING MOUNT	1	EA
59	17180-000	LOAD CHART, BOOM HOOK	1	EA

Item	Part No.	Name	Qty	Uom
1	18008-000	DATA PLATE	1	EA
2	18001-001	DASH OVERLAY	1	EA
3	18010-001	CAUTION, SLIP/TRIP HAZARD	1	EA
4	18011-001	CAUTION, ENGINE DAMAGE HAZARD	1	EA
5	18013-001	DIESEL ONLY	1	EA
6	18014-001	CHECK ENGINE OIL	1	EA
7	18015-001	CHECK/FILL COOLANT	1	EA
8	18016-001	CAUTION, BURN HAZARD	1	EA
9	18017-001	DANGER, CRUSHING HAZARD	2	EA
10	18018-001	DANGER, ELECTROCUTION HAZARD	7	EA
11	18018-002	DANGER, ELECTROCUTION HAZARD	1	EA
12	18019-001	DANGER, CRUSHING HAZARD	3	EA
13	18020-001	WARNING, TIP-OVER HAZARD	1	EA
14	18021-001	DANGER, CRUSHING HAZARD	1	EA
15	18022-001	WARNING, TIP OVER HAZARD	1	EA
16	18023-001	WARNING, WELDING AND MODIFICATION HAZARD	1	EA
17	18025-001	WARNING, FALLING HAZARD	1	EA
18	18026-001	WARNING, UNRESTRAINED OPERATOR HAZARD	1	EA
19	18027-001	DANGER, ROTATING EQUIPMENT HAZARD	1	EA
20	18031-001	WARNING, SAFE OPERATION CHECKLIST	1	EA
21	18032-001	WARNING, IMPROPER USE HAZARD	1	EA
22	18033-000	CONTROL, AUXILIARY	1	EA
23	18034-000	BOOM HANDLE CONTROL	1	EA
24	18039-000	BOOM ANGLE INDICATOR	1	EA

Item	Part No.	Name	Qty	Uom
51	17014-000	LOAD CHART, STANDARD CARRIAGE	1	EA
52	17015-000	LOAD CHART, SWING CARRIAGE	1	EA
53	17016-000	LOAD CHART, 12 FOOT TRUSS BOOM	1	EA
54	17017-000	LOAD CHART, 15 FOOT TRUSS BOOM	1	EA
55	17018-000	LOAD CHART, 3FT TRUSS WITH WINCH	1	EA
56	17019-000	LOAD CHART, 12FT TRUSS WITH WINCH	1	EA
57	17071-000	LOAD CHART, PERSONNEL PLATFORM	1	EA
58	17128-000	LOAD CHART, SLING MOUNT	1	EA
59	17180-000	LOAD CHART, BOOM HOOK	1	EA

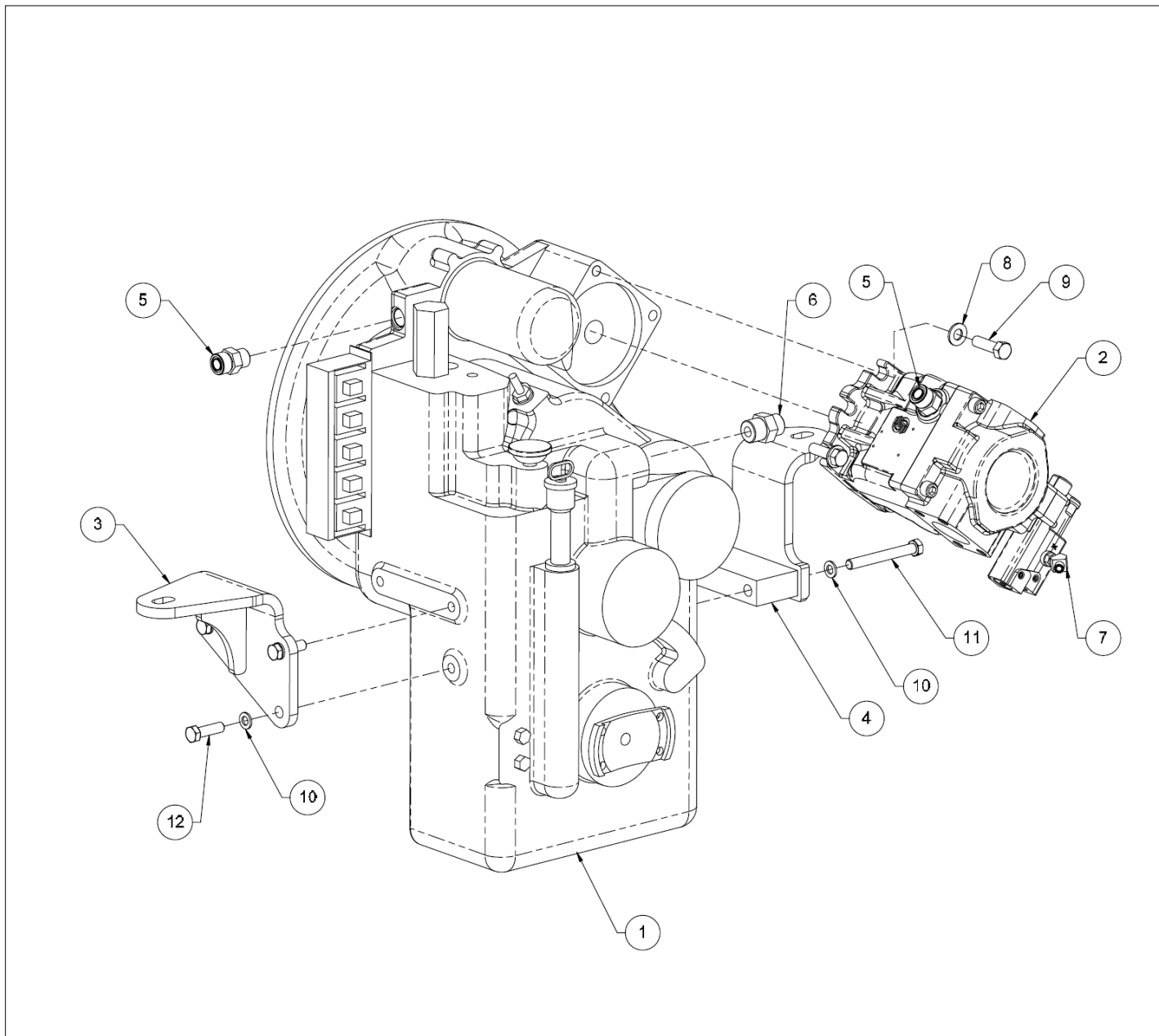
Item	Part No.	Name	Qty	Uom
1	18008-000	DATA PLATE	1	EA
2	18001-001	DASH OVERLAY	1	EA
3	18010-001	CAUTION, SLIP/TRIP HAZARD	1	EA
4	18011-001	CAUTION, ENGINE DAMAGE HAZARD	1	EA
5	18013-001	DIESEL ONLY	1	EA
6	18014-001	CHECK ENGINE OIL	1	EA
7	18015-001	CHECK/FILL COOLANT	1	EA
8	18016-001	CAUTION, BURN HAZARD	1	EA
9	18017-001	DANGER, CRUSHING HAZARD	2	EA
10	18018-001	DANGER, ELECTROCUTION HAZARD	7	EA
11	18018-002	DANGER, ELECTROCUTION HAZARD	1	EA
12	18019-001	DANGER, CRUSHING HAZARD	3	EA
13	18020-001	WARNING, TIP-OVER HAZARD	1	EA
14	18021-001	DANGER, CRUSHING HAZARD	1	EA
15	18022-001	WARNING, TIP OVER HAZARD	1	EA
16	18023-001	WARNING, WELDING AND MODIFICATION HAZARD	1	EA
17	18025-001	WARNING, FALLING HAZARD	1	EA
18	18026-001	WARNING, UNRESTRAINED OPERATOR HAZARD	1	EA
19	18027-001	DANGER, ROTATING EQUIPMENT HAZARD	1	EA
20	18031-001	WARNING, SAFE OPERATION CHECKLIST	1	EA
21	18032-001	WARNING, IMPROPER USE HAZARD	1	EA
22	18033-000	CONTROL, AUXILIARY	1	EA
23	18034-000	BOOM HANDLE CONTROL	1	EA
24	18039-000	BOOM ANGLE INDICATOR	1	EA

Item	Part No.	Name	Qty	Uom
51	17014-000	LOAD CHART, STANDARD CARRIAGE	1	EA
52	17015-000	LOAD CHART, SWING CARRIAGE	1	EA
53	17016-000	LOAD CHART, 12 FOOT TRUSS BOOM	1	EA
54	17017-000	LOAD CHART, 15 FOOT TRUSS BOOM	1	EA
55	17018-000	LOAD CHART, 3FT TRUSS WITH WINCH	1	EA
56	17019-000	LOAD CHART, 12FT TRUSS WITH WINCH	1	EA
57	17071-000	LOAD CHART, PERSONNEL PLATFORM	1	EA
58	17128-000	LOAD CHART, SLING MOUNT	1	EA
59	17180-000	LOAD CHART, BOOM HOOK	1	EA

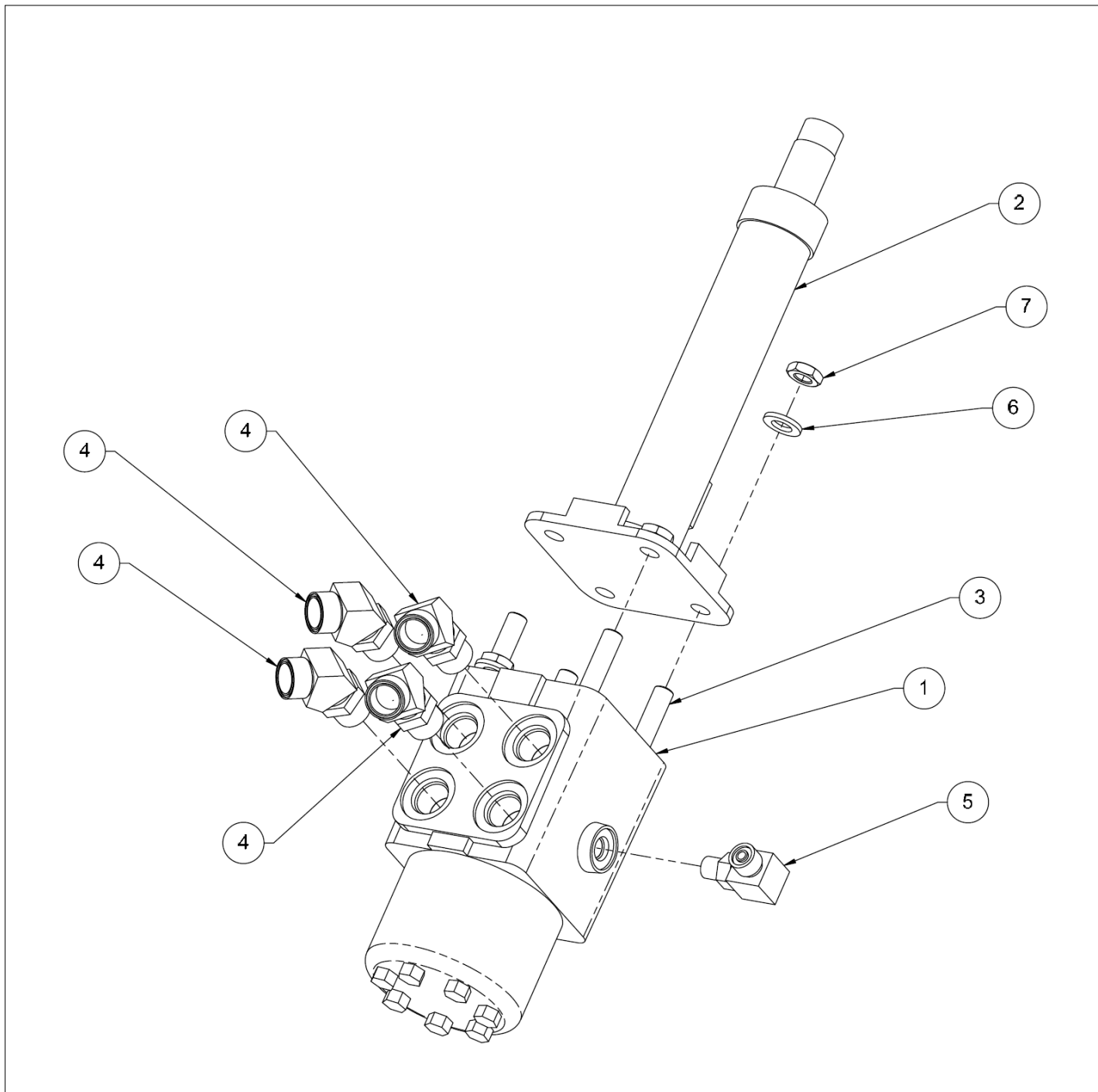
Item	Part No.	Name	Qty	Uom
1	18008-000	DATA PLATE	1	EA
2	18001-001	DASH OVERLAY	1	EA
3	18010-001	CAUTION, SLIP/TRIP HAZARD	1	EA
4	18011-001	CAUTION, ENGINE DAMAGE HAZARD	1	EA
5	18013-001	DIESEL ONLY	1	EA
6	18014-001	CHECK ENGINE OIL	1	EA
7	18015-001	CHECK/FILL COOLANT	1	EA
8	18016-001	CAUTION, BURN HAZARD	1	EA
9	18017-001	DANGER, CRUSHING HAZARD	2	EA
10	18018-001	DANGER, ELECTROCUTION HAZARD	7	EA
11	18018-002	DANGER, ELECTROCUTION HAZARD	1	EA
12	18019-001	DANGER, CRUSHING HAZARD	3	EA
13	18020-001	WARNING, TIP-OVER HAZARD	1	EA
14	18021-001	DANGER, CRUSHING HAZARD	1	EA
15	18022-001	WARNING, TIP OVER HAZARD	1	EA
16	18023-001	WARNING, WELDING AND MODIFICATION HAZARD	1	EA
17	18025-001	WARNING, FALLING HAZARD	1	EA
18	18026-001	WARNING, UNRESTRAINED OPERATOR HAZARD	1	EA
19	18027-001	DANGER, ROTATING EQUIPMENT HAZARD	1	EA
20	18031-001	WARNING, SAFE OPERATION CHECKLIST	1	EA
21	18032-001	WARNING, IMPROPER USE HAZARD	1	EA
22	18033-000	CONTROL, AUXILIARY	1	EA
23	18034-000	BOOM HANDLE CONTROL	1	EA
24	18039-000	BOOM ANGLE INDICATOR	1	EA

Item	Part No.	Name	Qty	Uom
REF	26520-001	ENGINE/TRANSMISSION ASSEMBLY	AR	EA
REF	13952-009	Oil filter	1	EA
REF	13952-008	FUEL FILTER	1	EA
1	13954-001	ENGINE	1	EA
2	26517-000	TRANSMISSION AND PUMP ASSEMBLY	1	EA
3	25719-000	ENGINE MOUNT WELDMENT	2	EA
4	25727-000	AIR CLEANER ASSEMBLY	1	EA
5	11371-000	MUFFLER MOUNTING CLAMP	2	EA
6	25590-000	Air cleaner hose	1	EA
7	13952-013	Exhaust gasket	1	EA
8	13952-010	FUEL SEPARATOR	1	EA
9	13970-000	Fan	1	EA
10	25659-000	THROTTLE CABLE BRACKET*	1	EA
11	14403-000	EXHAUST MUFFLER	1	EA
12	14802-000	CLAMP-CONTROL CABLE-	1	EA
13	14803-000	PIVOT-CONTROL CABLE	1	EA
14	25986-000	FUEL SEPERATOR MOUNT	1	EA
15	14405-000	Exhaust clamp 2-1/2	5	EA
16	25875-000	EXHAUST HEADER WELDMENT	1	EA
17	26026-000	EXHAUST PIPE	1	EA
18	26030-000	EXHAUST PIPE	1	EA
19	26027-000	EXHAUST PIPE BRACKET	1	EA
20	11015-011	WASHER M10 FLAT METRIC	15	EA
21	11636-001	Fitting elbow 45 -2MP-2FP	1	EA
22	11674-003	FITTING ELBOW 90 -05MBA-02FP	2	EA
23	11563-004	FITTING STR 1/8 MP - 5/16" BARBED HOSE	2	EA
24	HH1015F10CZ030	HHCS M10X1.5 F 10.9 C 30	12	EA

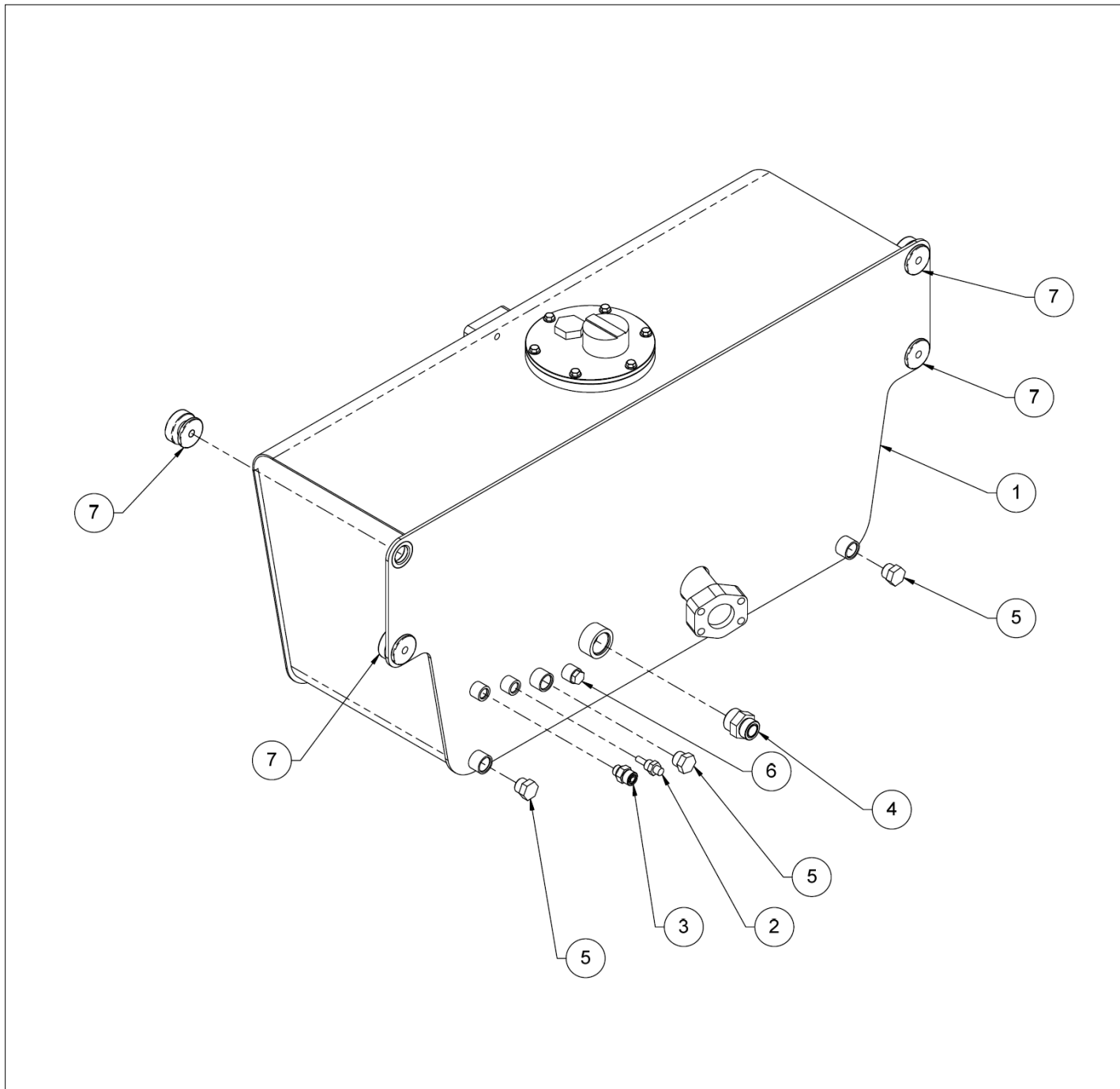
TRANSMISSION, AXLES and DRIVESHAFTS



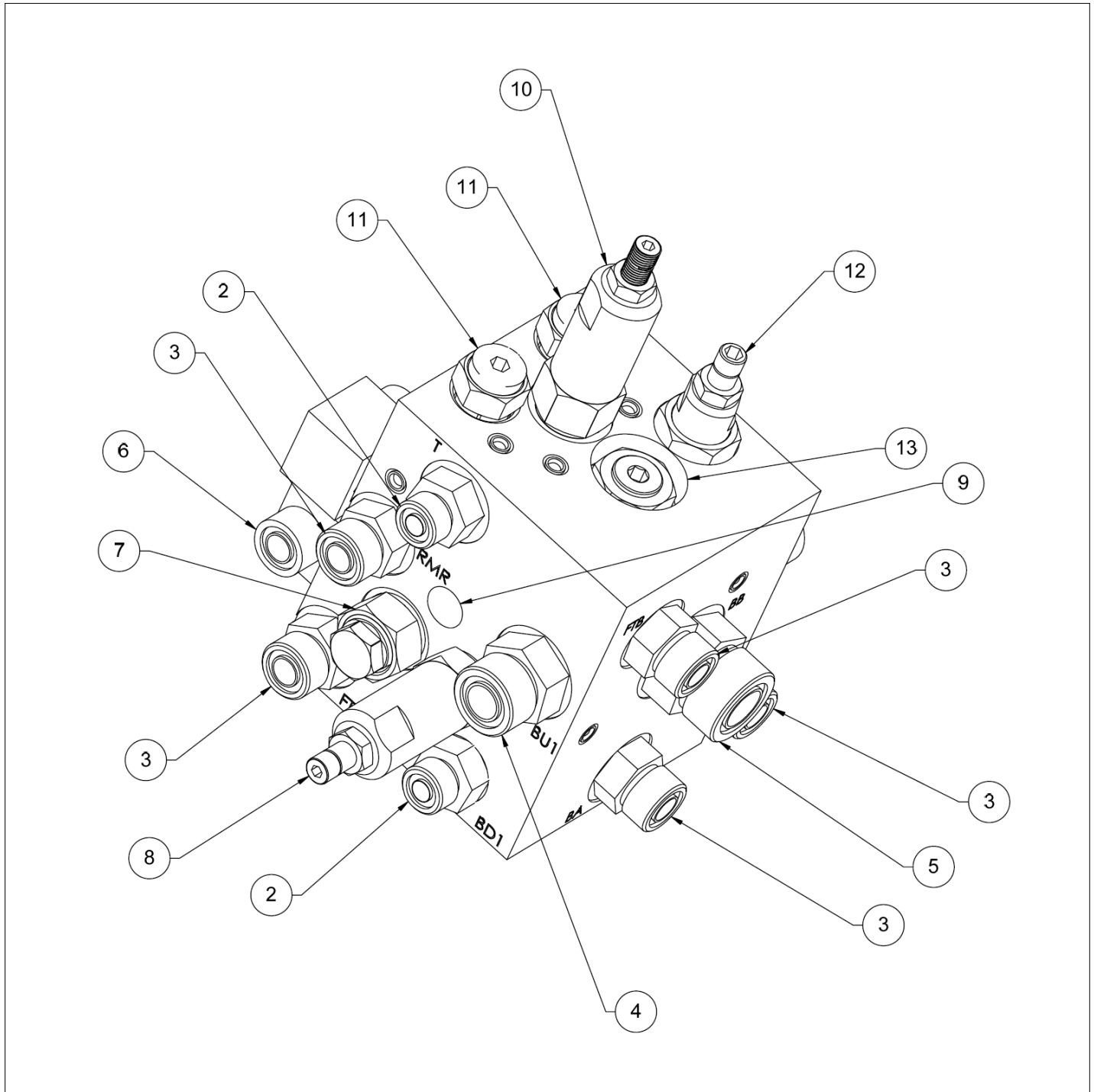
STEERING, BRAKES, WHEELS and TIRES



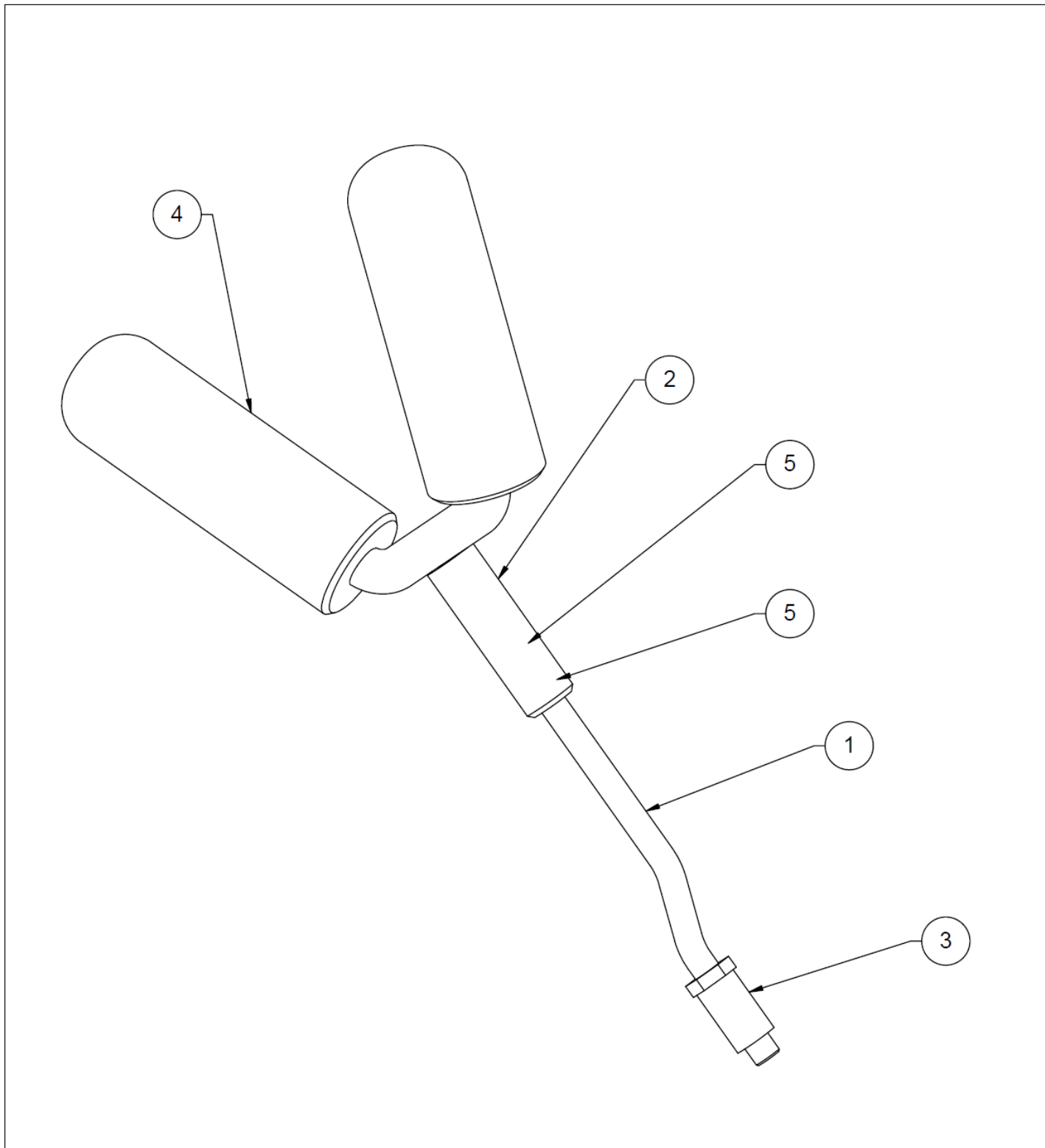
HYDRAULIC SYSTEM



HYDRAULIC SYSTEM



HYDRAULIC SYSTEM



CLICK HERE TO **DOWNLOAD** THE COMPLETE MANUAL

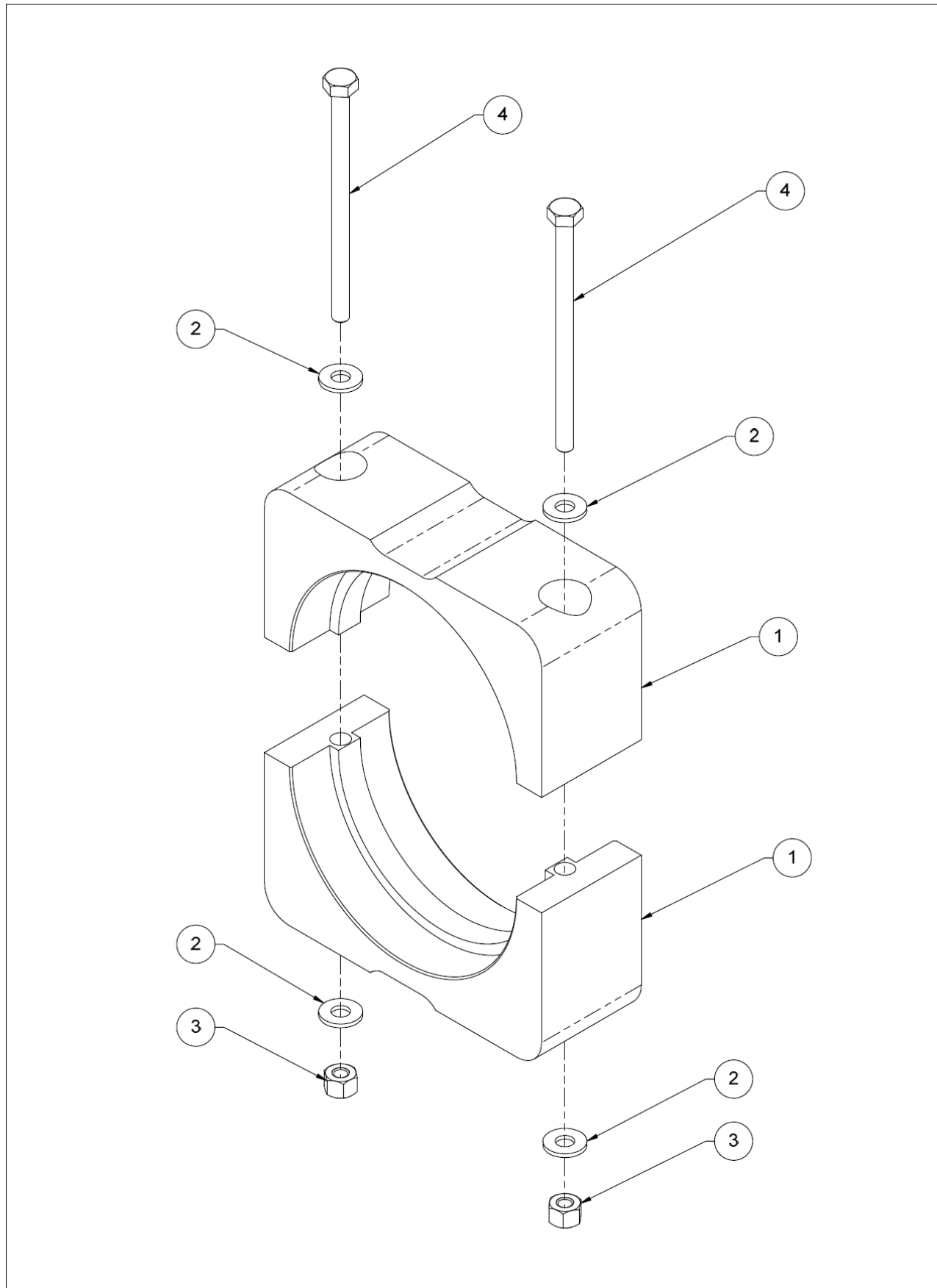
- Thank you very much for reading the preview of the manual.
- You can download the complete manual from: www.heydownloads.com by clicking the link below



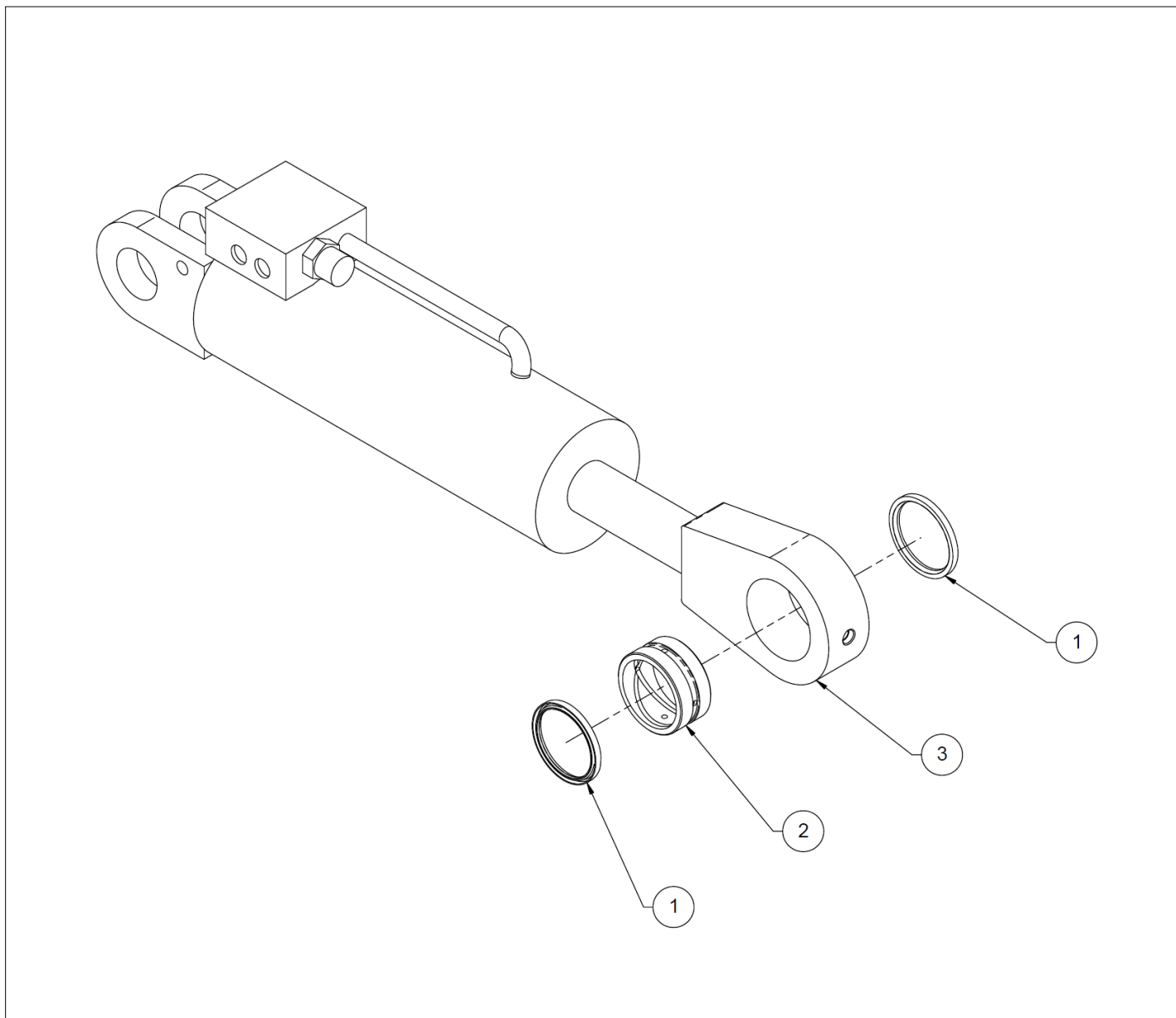
- Please note: If there is no response to CLICKING the link, please download this PDF first and then click on it.

CLICK HERE TO **DOWNLOAD** THE COMPLETE MANUAL

HYDRAULIC SYSTEM



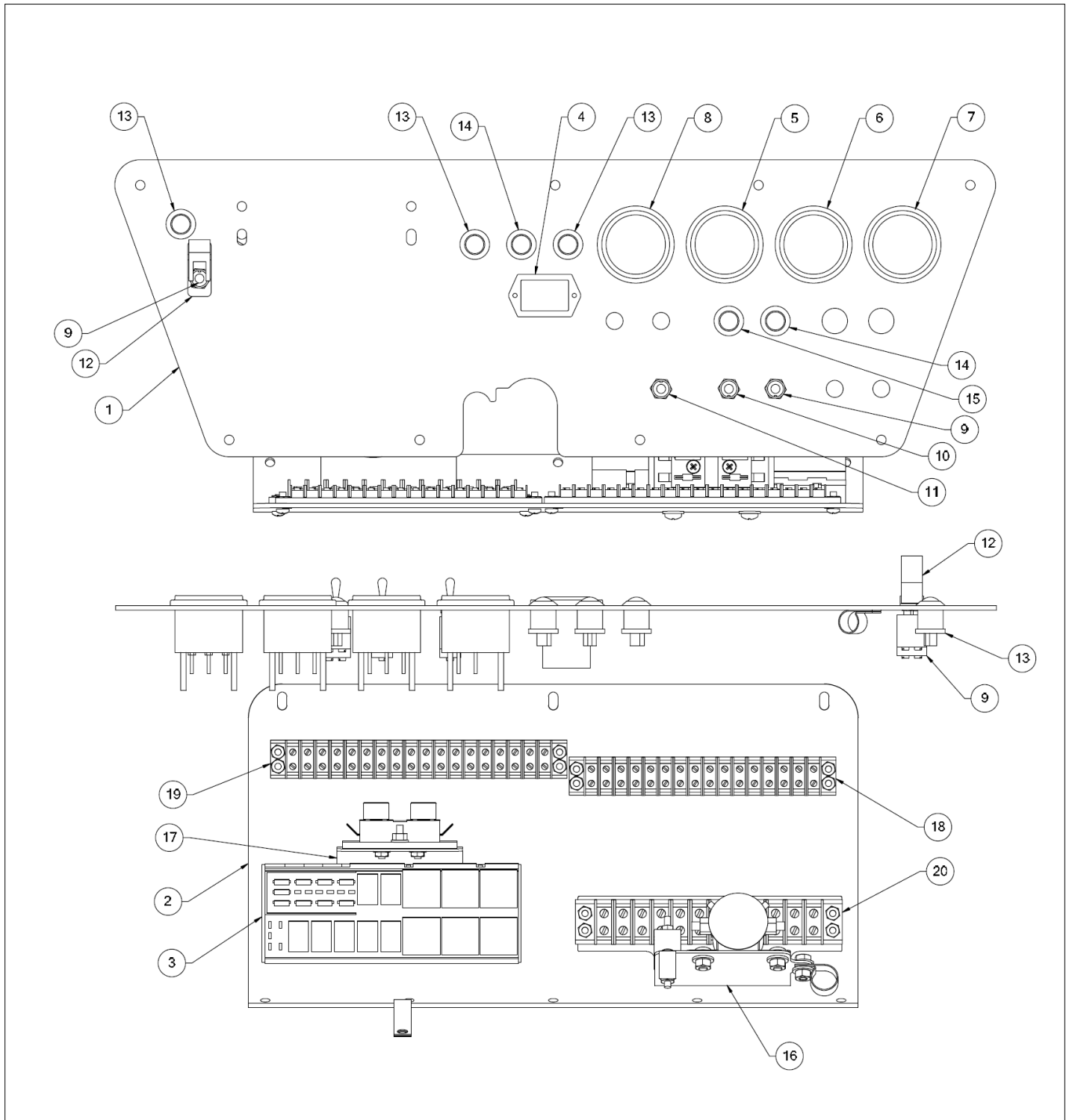
HYDRAULIC SYSTEM



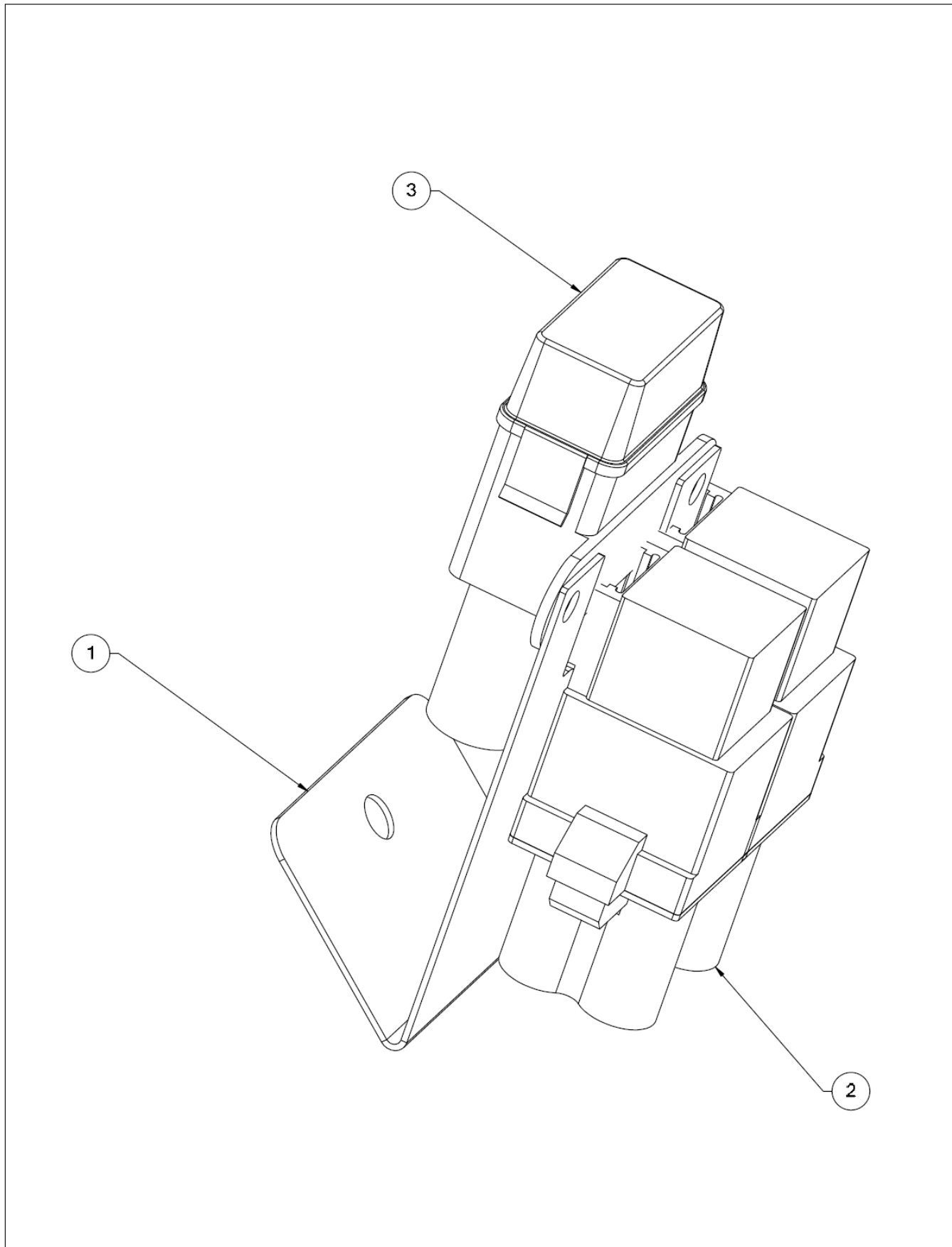
HYDRAULIC SYSTEM

No Illustration Available

ELECTRICAL SYSTEM



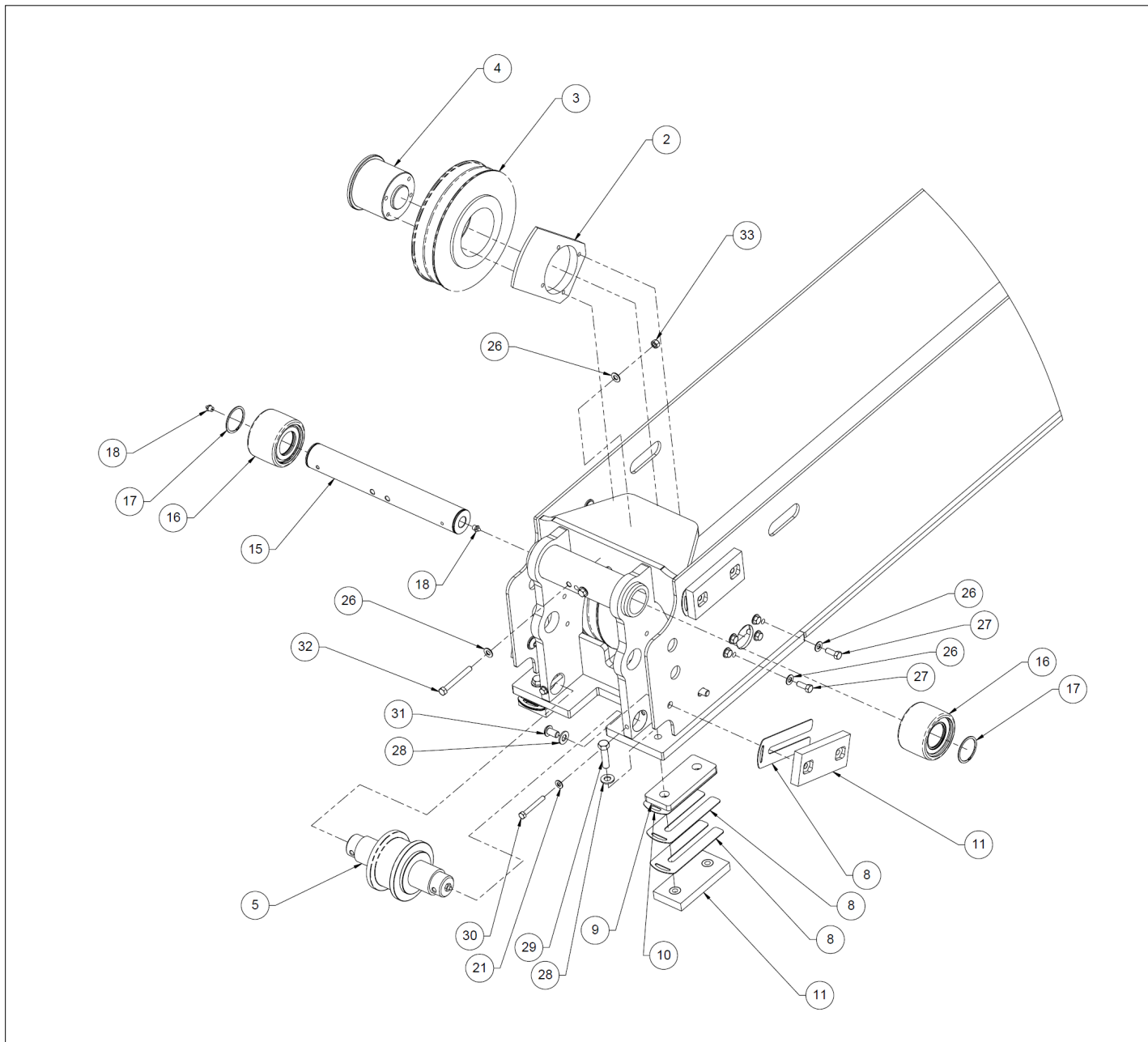
ELECTRICAL SYSTEM



Item	Part No.	Name	Qty	Uom
27	25443-000-SP	TUBE CLAMP ASSY #2	8	EA
28	25379-000	OUTER BOOM SHIELD	1	EA
29	25327-000	BOOM MOUNTING PIN	1	EA
30	26103-000	PROXIMITY SWITCH BRACKET	1	EA
31	26642-000	EXT CYLINDER PIN ASSEMBLY	1	EA
32	26718-001	BOOM HYDRAULIC TUBE ASSEMBLY #2	2	EA
33	26719-001	BOOM HYDRAULIC TUBE ASSEMBLY #1	2	EA
34	FLW050008CZ	WASHER FLAT .500 GR8 C	33	EA
35	HH0813F08CZ020	HHCS .500-13 F GR8 C 1.250	8	EA
36	HH0813P08CZ040	HHCS .500-13 P GR8 C 2.500	2	EA
37	10900-008	NUT 1/2-13UNC REG HEX	5	EA
38	FLW037508CZ	WASHER FLAT .375 GR8 C	10	EA
39	HH0616F08CZ012	HHCS .375-16 F GR8 C .750	6	EA
40	HH0616F08CZ016	HHCS .375-16 F GR8 C 1.000	4	EA
41	HH0813F08CZ016	HHCS .500-13 F GR8 C 1.000	3	EA
42	HH0813P08CZ064	HHCS .500-13 P GR8 C 4.000	1	EA
43	FLW025008CZ	WASHER FLAT .250 GR8 C	24	EA
44	HH0420F08CZ012	HHCS .250-20 F GR8 C .750	20	EA
45	HH0420F08CZ010	HHCS .250-20 F GR8 C .625	4	EA
46	11002-008	2 EXTRA HEAVY GRADE 8 SAE WASHER	2	EA
47	10105-007	SCREW 1/2-13UNC SBHC X 7/8	16	EA

Item	Part No.	Name	Qty	Uom
REF	26701-000	OUTER BOOM ASSEMBLY	AR	EA
1	26702-002	OUTER BOOM WELDMENT	1	EA
2	26011-000	OUTER ROLLER PIN	1	EA
3	25866-000	OUTER BOOM ROLLER ASSEMBLY	1	EA
4	13751-018	MACH BUSHING 2 X 14 GA	2	EA
5	25143-000	BOOM MANIFOLD ASSEMBLY	1	EA
6	11702-015	FITTING ELBOW 90 -10MBA-10MFS	7	EA
7	25394-000	CHAIN TENSIONER	1	EA
8	25174-000	PLATE CUT SHAPE	1	EA
9	25395-000	CHAIN TENSIONER	1	EA
10	25980-000	CHAIN TENSIONER RETAINER	1	EA
11	25845-000	BELLEVILLE SPRING STACK	1	EA
12	26100-000	SPRING GUIDE	1	EA
13	26325-000	ANGLE INDICATOR ASSEMBLY	1	EA
14	11702-012	FITTING ELBOW 90 -10MBA-08MFS	1	EA
15	11913-000	FITTING GREASE 1/4NPT STRAIGHT	2	EA
16	FLW100008CZ	WASHER FLAT 1.000 GR8 C	3	EA
17	10903-016	NUT 1-14UNF HEX JAM	2	EA
18	FLW062508CZ	WASHER FLAT .625 GR8 C	1	EA
19	10304-006	SCREW 5/8 SHS X 3/4	1	EA
20	10903-010	NUT 5/8-18UNF HEX JAM	1	EA
21	FLW031308CZ	WASHER FLAT .313 GR8 C	4	EA
22	HH0518P08CZ064	HHCS .313-18 P GR8 C 4.000	2	EA
23	HN051808CZ	NUT HEX .313-18 GR8 C	2	EA
24	FLW050008CZ	WASHER FLAT .500 GR8 C	4	EA
25	HH0813F08CZ024	HHCS .500-13 F GR8 C 1.500	4	EA

BOOM



Item	Part No.	Name	Qty	Uom
REF	26692-000	INNER BOOM SUBASSEMBLY	AR	EA
1	26693-000	INNER BOOM SUBASSEMBLY	1	EA
2	25268-000	HOSE GUIDE	2	EA
3	25122-000	SLIDE BLOCK ASSEMBLY	6	EA
4	26075-000	INNER BOOM ROLLER PIN	1	EA
5	25133-000	ROLLER ASSEMBLY	2	EA
6	25289-000	SLIDE BLOCK SHIM	8	EA
7	25144-000	HOSE CLAMP ASSEMBLY	2	EA
8	13722-002	BEARING 2 X 2-3/8 X 2	2	EA
9	12252-000	GREASE SEAL 2-3/8 X 2	2	EA
10	11402-175	RETAINING RING EXT SPIRAL 1-3/4 DIA	2	EA
11	11915-000	FITTING GREASE 1/8 NPT 45	2	EA
12	11910-000	FITTING GREASE 1/8 NPT STRAIGHT	2	EA
13	10002-180	SCREW 3/8-16UNC HHC X 2-1/4"	2	EA
14	FLW037508CZ	WASHER FLAT .375 GR8 C	6	EA
15	10002-026	SCREW 3/8-16UNC HHC X 3-1/4	2	EA
16	FLW050008CZ	WASHER FLAT .500 GR8 C	12	EA
17	HH0813F08CZ020	HHCS .500-13 F GR8 C 1.250	4	EA
18	FLW031308CZ	WASHER FLAT .313 GR8 C	4	EA
19	HH0518P08CZ056	HHCS .313-18 P GR8 C 3.500	4	EA
20	NL061608CZ	NUT HEX NL .375-16 GR8 C	2	EA
21	10900-006	NUT 3/8-16UNC REG HEX	2	EA
22	10105-007	SCREW 1/2-13UNC SBHC X 7/8	8	EA

Item	Part No.	Name	Qty	Uom
REF	25839-000	MID ROLLER ASSEMBLY	AR	EA
1	25939-000	MID BOOM ROLLER	1	EA
2	13760-001	TORRINGTON #TRD-2840 THRUST WASHER	2	EA
3	13803-000	OUTER ROLLER BEARING	2	EA
4	13802-000	BEARING INNER RACE	2	EA
5	25941-000	INNER THRUST WASHER	2	EA

Item	Part No.	Name	Qty	Uom
REF	25845-000	BELLEVILLE SPRING STACK	AR	EA
1	11008-001	BELLEVILLE SPRING WASHER	22	EA

Item	Part No.	Name	Qty	Uom
27	HN042008CZ	NUT HEX .250-20 GR8 C	2	EA
28	FLW037508CZ	WASHER FLAT .375 GR8 C	4	EA
29	HH0616F08CZ016	HHCS .375-16 F GR8 C 1.000	2	EA
30	NL061608CZ	NUT HEX NL .375-16 GR8 C	2	EA

Item	Part No.	Name	Qty	Uom
REF	27406-000	ENCLOSED CAB ASSEMBLY	AR	EA
1	27406-001	CAB WELDMENT	1	EA
2	27406-020	GLASS, FRONT CURVED	1	EA
3	27406-023	GLASS, REAR LH	1	EA
4	27406-022	GLASS, REAR FLAT	1	EA
5	27406-021	GLASS, TOP CURVED	1	EA
6	27406-025	GLASS, RH SLIDER	1	EA
7	27406-906	COMP DOOR ASSY - NEW STYLE	1	EA
8	27406-035	DOOR, HINGE PIN	4	EA
9	27406-036	DOOR, HINGE CLIP	4	EA
10	27406-061	WIPER BLADE	1	EA
11	27406-060	WIPER ARM	1	EA
12	27406-099	ROUND LOUVER, WITH 45MM CONNECTOR	2	EA
13	27406-019	BRACKET, MOUNT ROUND LOUVER	1	EA
14	27406-107	BOLT 1/4-20, 1"	2	EA
15	27406-104	SPACER (0.335 OD, 0.26 ID, 1/2)	2	EA
16	27406-100	DUCTING 1-3/4" (12.5' LONG)	1	EA
17	27406-053	HEATER HOSE 5/8"	1	EA
18	27406-050	HEAT EXCHANGER	1	EA
19	27406-102	CONTROLS, HEATER AND FAN	1	EA
20	27406-051	HEATER, VALVE ELECTRIC	1	EA
21	27406-053	HEATER HOSE 5/8"	1	EA
22	27406-054	HEATER HOSE CLAMP	4	EA
23	27406-018	BRACKET, HEATER MOUNT	1	EA
24	27406-017	BRACKET, HEATER MOUNT	1	EA
25	27406-010	COVER, SEAT BOX	1	EA
26	27406-008	COVER, SEAT BOX MOUNT	1	EA
27	27406-097	ROUND LOUVER	2	EA

Item	Part No.	Name	Qty	Uom
REF	25447-001	FRONT CONTROL PANEL ASSEMBLY	AR	EA
1	25014-001	ELECTRICAL ASSEMBLY	1	EA
2	18000-000	DASH OVERLAY	1	EA
3	12302-000	HOLE GROMMET 9/16 ID 2563	1	EA
4	10829-001	U-BOLT 10-24UNC 9/16 x 1-3/8	2	EA
5	FLW0010STCZ	WASHER FLAT #10 STL C	8	EA
6	NL1024STCZ	NUT HEX NL 10-24 STL C	8	EA

Item	Part No.	Name	Qty	Uom
REF	26548-000	SIDE CONSOLE SUBASSEMBLY	AR	EA
1	26552-000	SIDE CONSOLE WELDMENT	1	EA
2	10928-007	NUTSERT 1/4-20UNC X 0.165 GRIP	10	EA

Item	Part No.	Name	Qty	Uom
REF	25757-001	ENGINE COVER ASSEMBLY	AR	EA
1	25540-001	ENGINE COVER	1	EA
2	25578-000	HOOD SLIDE ASSEMBLY	2	EA
3	25999-000	ENGINE COVER SPACER	2	EA
4	25669-000	HANDLE BACKING PLATE	2	EA
5	26017-000	ENGINE COVER GUIDE	2	EA
6	13552-002	LATCH KEEPER REF 13552-000	1	EA
7	13558-000	PULL HANDLE 6"	2	EA
8	12310-045	TRIM SEAL 1/4" X 44-1/2" LG	1	EA
9	FLW0010STCZ	WASHER FLAT #10 STL C	12	EA
10	10253-006	SCREW #10-24UNC PHM X 3/4	2	EA
11	NL1024STCZ	NUT HEX NL 10-24 STL C	10	EA
12	10273-008	SCREW 10-24UNC OHM X 1	8	EA
13	10292-008	SCREW #10 PWH TYPE-A X 3/4"	16	EA

Item	Part No.	Name	Qty	Uom
REF	25846-000	FILLER PLATE ASSEMBLY	AR	EA
1	25985-000	FILLER PLATE, REAR	1	EA
2	10928-007	NUTSERT 1/4-20UNC X 0.165 GRIP	2	EA

Item	Part No.	Name	Qty	Uom
REF	25406-000	CARRIAGE POST ASSEMBLY	AR	EA
1	25402-000	CARRIAGE POST WELDMENT	1	EA
2	13722-001	BEARING 2" X 2-3/8" X 1-5/8"	2	EA
3	12252-000	GREASE SEAL 2-3/8 X 2	2	EA
4	26363-000	SPACER TUBE	1	EA
5	11910-000	FITTING GREASE 1/8 NPT STRAIGHT	2	EA

13722-001 10-4	14242-000 6-3
13722-002 8-12, 8-13	14244-001 6-14
13722-003 6-21	14245-000 6-14, 6-15
13722-004 6-25, 6-28	14248-000 6-15
13726-002 1-8, 1-9, 1-10, 1-11	14255-010 6-4, 6-5
13730-008 9-16	14255-012 6-4, 6-5
13751-018 8-1, 8-2, 8-3, 8-4, 8-5	14255-013 6-4, 6-5
13760-001 8-18, 8-19	14255-015 6-4, 6-5
13760-002 8-17, 8-20	14255-016 6-4, 6-5
13761-005 9-26	14255-017 6-4, 6-5
13802-000 8-18, 8-19, 8-21, 8-22	14255-018 6-4, 6-5
13803-000 8-18, 8-19, 8-21, 8-22	14255-019 6-6, 6-7
13804-009 1-8, 1-9, 1-10, 1-11	14255-021 6-4, 6-5
13804-010 1-8, 1-9, 1-10, 1-11, 6-14	14257-000 6-23, 6-24
13806-001 9-26	14257-010 6-24
13807-000 8-17, 8-20	14257-011 6-24
13808-000 8-17, 8-20	14267-000 6-6, 6-7
13952-008 3-1, 3-2, 3-3	14267-010 6-6, 6-7
13952-009 3-1, 3-2, 3-3	14267-011 6-6, 6-7
13952-010 3-1, 3-2, 3-3	14267-012 6-6, 6-7
13952-013 3-1, 3-2, 3-3	14267-013 6-6, 6-7
13954-001 3-1, 3-2, 3-3	14267-014 6-6, 6-7
13970-000 3-1, 3-2, 3-3	14267-015 6-6, 6-7
14006-010 5-1	14269-000 6-4, 6-5
14010-000 4-1	14269-014 6-4, 6-5
14106-000 4-1	14272-000 5-4
14106-010 4-1	14302-000 5-3
14204-001 6-11, 6-12	14359-000 6-3
14204-020 6-12	14361-000 6-4, 6-5
14209-000 6-15	14362-000 3-5
14216-000 6-22, 6-25	14362-010 3-5
14220-000 6-22, 6-25, 6-28	14362-011 3-5
14225-000 6-9	14363-000 3-5
14231-000 5-2	14364-000 3-5

CLICK HERE TO **DOWNLOAD** THE COMPLETE MANUAL

- Thank you very much for reading the preview of the manual.
- You can download the complete manual from: www.heydownloads.com by clicking the link below



- Please note: If there is no response to CLICKING the link, please download this PDF first and then click on it.

CLICK HERE TO **DOWNLOAD** THE COMPLETE MANUAL