



**XTREME**  
MANUFACTURING

# XR1255-T4 FINAL PARTS MANUAL

PN 24948-001

CLICK HERE TO **DOWNLOAD** THE COMPLETE MANUAL

- Thank you very much for reading the preview of the manual.
- You can download the complete manual from: [www.heydownloads.com](http://www.heydownloads.com) by clicking the link below



- Please note: If there is no response to CLICKING the link, please download this PDF first and then click on it.

CLICK HERE TO **DOWNLOAD** THE COMPLETE MANUAL

<b>Numerical List of Parts Breakdowns</b>		
<b>Fig. No.</b>	<b>Description</b>	<b>Page No.</b>
7-9	OPERATOR CONTROL VALVE ASSEMBLY	116
7-10	MASTER CYLINDER ASSEMBLY 2.75B	118
7-11	MASTER CYLINDER SUB-ASSEMBLY	120
7-12	LIFT CYLINDER ASSEMBLY	123
7-13	LIFT CYLINDER SUB-ASSEMBLY	124
7-14	EXTEND CYLINDER ASSEMBLY	126
7-15	EXTEND CYLINDER HOUSING ASSEMBLY	128
7-16	EXTEND CYLINDER COLLAR ASSEMBLY	130
7-17	LIFT CYLINDER PIN ASSEMBLY	132
7-18	MASTER CYLINDER PIN ASSEMBLY	134
7-19	MASTER CYLINDER PIN ASSEMBLY	136
7-20	CARRIAGE TILT CYLINDER ASSEMBLY	138
7-21	CARRIAGE TILT CYLINDER SUB-ASSEMBLY	140
7-22	ASSEMBLY, FRONT SWAY CYLINDER	142
7-23	ASSEMBLY, REAR SWAY CYLINDER	144
7-24	REAR AXLE LOCK MANIFOLD ASSEMBLY	146
7-25	OUTRIGGER CYLINDER ASSEMBLY	148
7-26	BOOM HOSE KIT	152
7-26	HOSE KIT 1255 CHASSIS T4F	150
8-1	ELECTRICAL CONSOLE ASSEMBLY, T4F	156
8-2	ELECTRICAL CENTER ASSEMBLY	158
8-3	STRIP TERMINAL ASSEMBLY	160
8-4	STRIP TERMINAL ASSEMBLY	162
8-5	STRIP TERMINAL ASSEMBLY	164
8-6	BATTERY DISCONNECT SWITCH ASSEMBLY	166
8-8	FUSE BLOCK ASSEMBLY	168
8-9	POWER SOLENOID ASSEMBLY	170
8-10	TAIL AND TURN LIGHTS	172
9-1	BOOM ASSEMBLY 1255	178
9-2	INNER BOOM ASSEMBLY	182
9-3	INNER BOOM SUB-ASSEMBLY	184
9-4	MID BOOM ASSEMBLY	186
9-5	OUTER BOOM ASSEMBLY	190
9-6	ANGLE INDICATOR ASSEMBLY	192
9-7	ADAPTER ASSEMBLY	194
9-8	SLIDE BLOCK ASSEMBLY	196
9-9	OUTER BOOM ROLLER ASSEMBLY	198

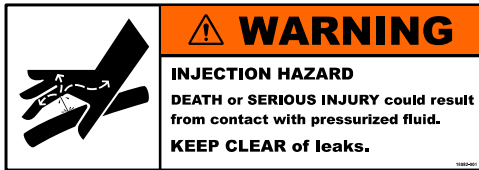


TABLE 2-4. CHASSIS ASSEMBLY - AXLES, T4F (26686-001) CONTINUED			
ITEM	PART NUMBER	DESCRIPTION	QTY
41	10908-005	NUT 5/16-18 UNC HEX LOCK REG	1
42	10001-014	SCREW 5/16-18UNC HHC X 1-3/4	1
43	33179-000	PLATE, GCU MOUNT	1
44	11001-008	PREFERRED NARROW FW 0.5	16
45	10004-014	SCREW 1/2-13UNC HHC X 1-3/4	8
46	11001-004	PREFERRED NARROW FW 0.25	1
47	10000-006	SCREW 1/4-20UNC HHC X 3/4	1
48	10908-004	NUT 1/4-20UNC HEX LOCK REG	1
49	10908-008	NUT 1/2-13UNC HEX LOCK REG	4
50	11002-016	WASHER 1-DIA USS FLAT	8
51	10009-040	SCREW 1-8UNC HHC X 5	2
52	10009-048	SCREW 1-8UNC HHC X 6	2
53	10908-016	NUT 1-8UNC HEX LOCK REG	4
54	11001-006	WASHER 3/8 SAE FLAT ASTM	42
55	10002-012	SCREW 3/8-16UNC HHC X 1-1/2	16
56	10004-006	SCREW 1/2-13UNC HHC X 3/4	4
57	11002-008	EXTRA THICK GRADE 8 SAE WASHER	3
58	10004-010	SCREW 1/2-13UNC HHC X 1-1/4	2
59	10004-012	SCREW 1/2-13UNC HHC X 1-1/2	1
60	11001-016	WASHER 1" SAE FLAT ASTM	40
61	10909-016	NUT 1-12UNF HEX LOCK REG	20
62	10029-072	SCREW 1-12UNF HHC X 9	8
63	10002-008	SCREW 3/8-16UNC HHC X 1	7
64	10908-006	NUT 3/8-16UNC HEX LOCK REG	5
65	10001-004	SCREW 5/16-18UNC HHC X 1/2	4
66	10001-024	SCREW 5/16-18UNC HHC X 3	2
67	A13982-263	GLOW PLUG CONTROL	1
68	10029-104	SCREW 1-12 X 13UNF HHCS GR8	12
69	10002-010	SCREW 3/8-16UNC HHC X 1-1/4	4
70	10002-036	SCREW 3/8-16UNC HHC X 4-1/2	1
71	10304-004	SCREW 5/8 SH SHOULDER X 1/2 LG	2
72	11253-000	BALL END-GAS SPRING	2
73	10002-011	SCREW 3/8-16UNC X 1-3/8 REG HEX	4

# SECTION 3

---

# LABELS



31



32



33



34



35



36

FIGURE 3-1. LABEL KIT 1255 T4 (27389-001) 10 OF 14

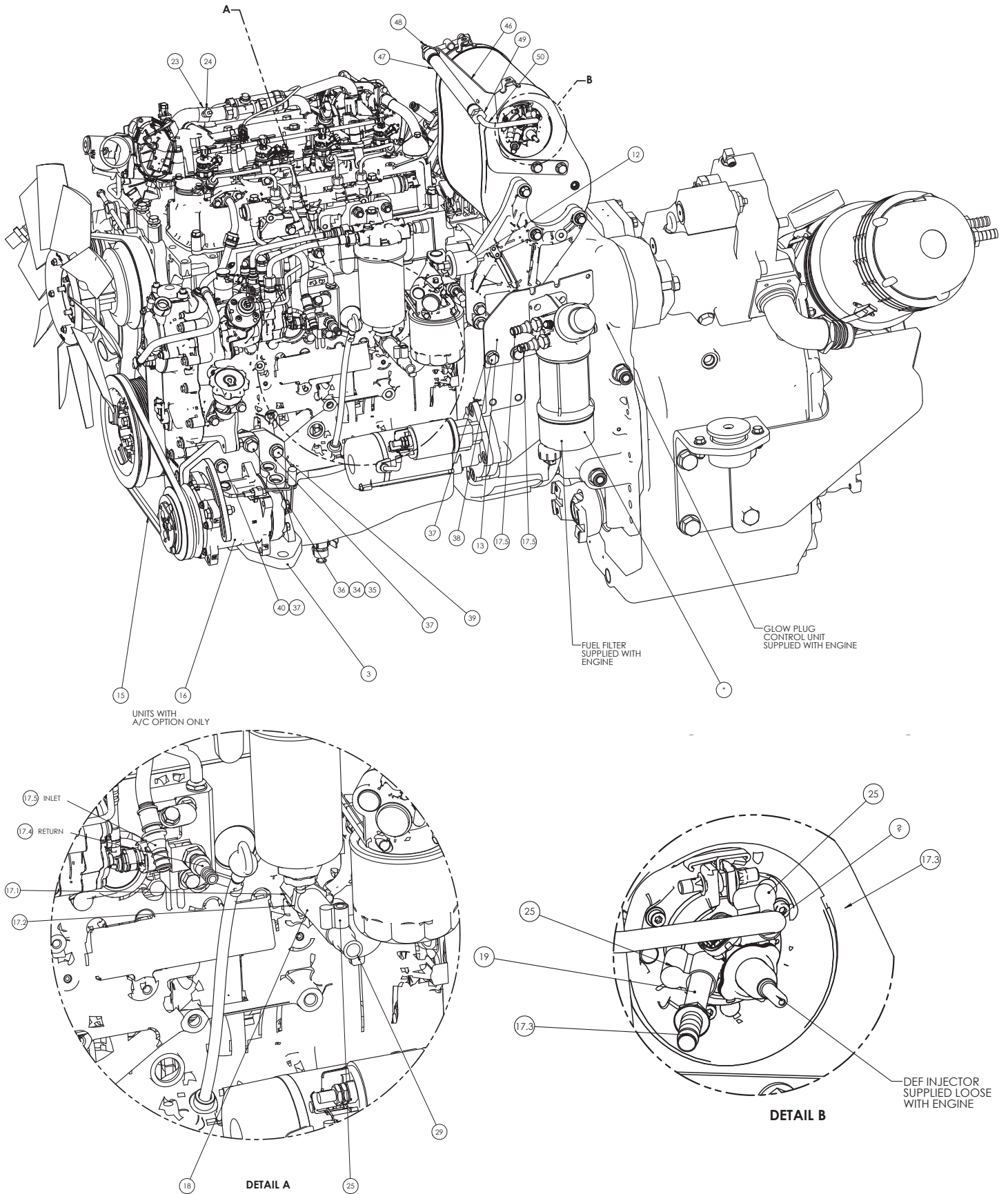


FIGURE 4-1. ENGINE /TRANSMISSION ASSEMBLY, T4F (33154-000) 2 OF 2

TABLE 4-5. FUEL TANK ASSEMBLY, T4F (26600-003)			
ITEM	PART NUMBER	DESCRIPTION	QTY
1	26599-001	FUEL TANK WELDMENT	1
2	13506-000	FUEL TANK CAP 3"	1
3	12852-000	FUEL LEVEL SENDER	1
4	11568-003	PLUG 3/8 NPT HEX SOC PIPE	2
5	11564-015	FITTING ELBOW 90 3/4 NPT x 5/8 BARB	1
6	11564-010	FITTING ELBOW 90 3/8 NPT x 3/8 BARB	1
REF	25070-002	FUEL TANK FITTING KIT (11568-003x2, 11564-010x1, 11564-015x1)	1
REF	25096-001	FUEL SENDER WIRE HARNESS	1

TABLE 5-2. FRONT AXLE ASSEMBLY, DANA (27086-001)			
ITEM	PART NUMBER	DESCRIPTION	QTY
1	14617-000	FRONT AXLE - DANA	1
2	11740-003	FITTING STR 04MFS-14MMORB	4
3	11705-008	FITTING ELBOW 45 -8MBA-8MFS	2
4	11729-001	FITTING TEE -04MFS-04FFSS-04MFS	2
5	29878-000	TUBE, STEER STOP SPACER	1

**NOTE:** FOR COMPLETE OEM AXLE PARTS BREAKDOWN, SEE ADDENDUM 4 - AXLES

TABLE 6-1. STEERING COLUMN ASSEMBLY (26745-000)			
ITEM	PART NUMBER	DESCRIPTION	QTY
1	14006-000	STEERING CONTROL UNIT-17.9cu-in	1
2	14650-000	STEERING COLUMN	1
3	10867-003	STUD BOLT M10x1.50 FULL THD X 50mm	2
4	11705-008	FITTING ELBOW 45 -8MBA-8MFS	2
5	11705-005	FITTING ELBOW 45 -8MBA-6MFS	2
6	11702-001	FITTING ELBOW 90 -04MBA-04MFS	1
7	11015-011	WASHER M10 FLAT METRIC	2
8	10941-011	NUT M10x1.5 HEX JAM	2

# SECTION 7

---

# HYDRAULIC SYSTEM

TABLE 7-5. DISTRIBUTION MANIFOLD ASSEMBLY (25214-001)			
ITEM	PART NUMBER	DESCRIPTION	QTY
1	14268-000	DISTRIBUTION MANIFOLD	1
2	11700-001	FITTING STR -04MB-04MFS	5
3	11700-009	FITTING STR -06MB-06MFS	7
4	11700-014	FITTING STR -08MB-08MFS	5
5	11700-024	FITTING STR 12MFS - 16MB	1
6	11700-027	FITTING STR -16MB-16MFS	1
7	11700-015	FITTING STR -10MB-08MFS	2
8	11702-001	FITTING ELBOW 90 -04MBA-04MFS	2
9	11702-023	FITTING ELBOW 90 -16MBA-16MFS	1
10	11705-017	FITTING ELBOW 45 -16MBA-16MFS	1
11	11702-012	FITTING ELBOW 90 -10MBA-08MFS	2

TABLE 7-11A. MASTER CYLINDER ASSEMBLY (26755-000)			
ITEM	PART NUMBER	DESCRIPTION	QTY
-	26821-011	SEAL KIT (NOT SHOWN)	1
1	27349-000	MASTER CYLINDER SUB-ASSEMBLY	1
2	11702-011	FITTING ELBOW 90 -08MBA-08MFS	1
3	11700-014	FITTING STR 08MFS-08MB	1
4	13804-009	SPHERICAL BEARING	

TABLE 7-15. EXTEND CYLINDER HOUSING ASSEMBLY (26674-000)			
ITEM	PART NUMBER	DESCRIPTION	QTY
1	26678-000	EXTEND CYLINDER HOUSING WELDMENT	1
2	10853-001	STUD BOLT 1/2-13UNC X 2	2
3	26124-000	BAR PIVOT	1
4	26123-000	ROLLER	1
5	11001-008	WASHER 1/2 SAE FLAT	2
6	10105-010	SCREW 1/2-13UNC SBHC X 1-1/4	2

TABLE 7-20. CARRIAGE TILT CYLINDER ASSEMBLY (25832-000)			
ITEM	PART NUMBER	DESCRIPTION	QTY
1	25849-000	CARRIAGE TILT CYLINDER SUB-ASSEMBLY	1
2	11915-000	FITTING GREASE 1/8 NPT 45	4
3	11702-011	FITTING ELBOW 90 -08MBA-08MFS	2

TABLE 7-25. OUTRIGGER CYLINDER ASSEMBLY (25817-001)			
ITEM	PART NUMBER	DESCRIPTION	QTY
1	25848-000	CYLINDER SUB-ASSEMBLY - OUTRIGGER	1
2	12855-001	PRESSURE SWITCH 1500PSI	1
3	25072-000	OUTRIGGER CYLINDER FITTING KIT	1
3.1	11702-011	FITTING ELBOW 90 -08MBA-08MFS	2
4	11910-000	FITTING GREASE 1/8 NPT STR	2
5	11915-000	FITTING GREASE 1/8 NPT 45	2
6	14246-000	VALVE CB SUN CBCA-CIN 750PSI	1
7	14237-002	CARTRIDGE VALVE SUN CKCB-XEN	1

TABLE 8-2. ELECTRICAL CENTER ASSEMBLY (25842-001)			
ITEM	PART NUMBER	DESCRIPTION	QTY
1	13106-000	ELECTRICAL CENTER COVER	1
2	13105-000	ELECTRICAL CENTER	1
3	13107-000	MINI RELAY	6
4	13108-000	MICRO RELAY	5
5	13001-001	MINI FUSE 5 AMP	2
6	13001-003	MINI FUSE 10 AMP	4
7	10908-004	NUT 1/4-20UNC HEX LOCK	2
8	13001-002	MINI FUSE 7.5 AMP	3
9	13109-000	MICRO RELAY	2

TABLE 8-8. FUSE BLOCK ASSEMBLY (26690-000)			
ITEM	PART NUMBER	DESCRIPTION	QTY
1	26253-000	FUSE BLOCK BRACKET	1
2	13251-001	FUSE BLOCK ATC/ATO x6	1
3	13002-007	FUSE ATC 10 AMP	4
4	13002-006	FUSE ATC 7.5 AMP	1
5	13002-005	FUSE ATC 5 AMP	1
6	10253-008	SCREW #10-24UNC PHM X 1	4
7	11001-003	WASHER #10 SAE FLAT	4
8	10908-003	NUT #10-24UNC HEX LOCK	4

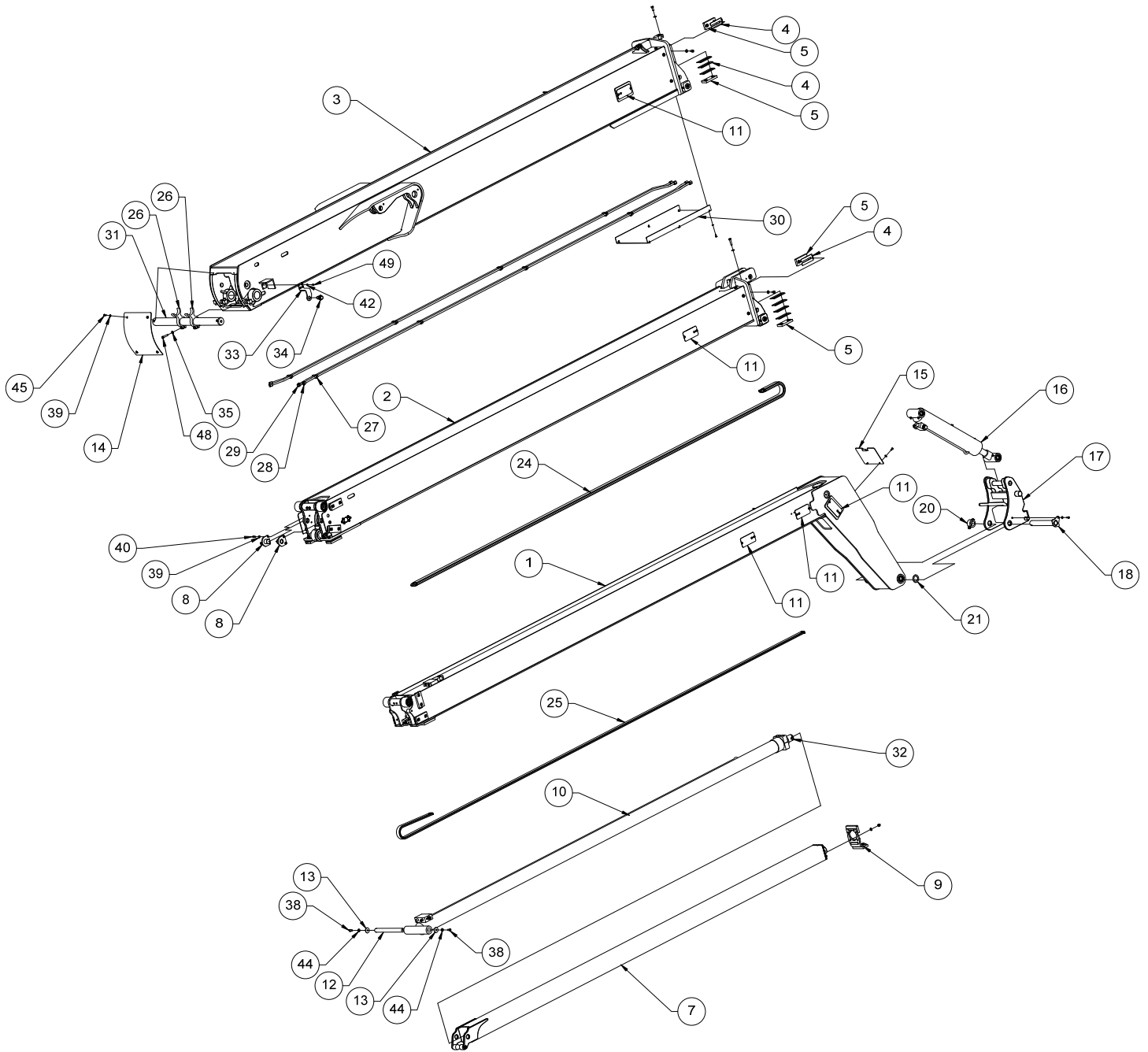


FIGURE 9-1. BOOM ASSEMBLY (26675-000) 2 OF 2

TABLE 9-4. MID BOOM ASSEMBLY (26664-000)			
ITEM	PART NUMBER	DESCRIPTION	QTY
1	26665-000	MID BOOM WELDMENT	1
2	25270-000	HOSE GUIDE	2
3	25284-000	HOSE SHEAVE	2
4	25282-000	SHEAVE HUB	2
5	25116-000	CHAIN SHEAVE ASSEMBLY	1
6	25115-000	SHEAVE PIN WELDMENT	1
7	25114-000	CHAIN SHEAVE ASSEMBLY	1
8	13751-017	MACHINERY BUSHING 2-1/2 X 1-3/4	4
9	25289-000	SLIDE BLOCK SHIM	8
10	25283-000	SLIDE BLOCK SHIM	2
11	25288-000	SLIDE BLOCK SPACER	2
12	25122-000	SLIDE BLOCK ASSEMBLY	6
13	10928-008	NUTSERT 1/4-20UNC X .260	2
14	26009-000	ROLLER PIN	1
15	25839-000	MID BOOM ROLLER ASSEMBLY	1
16	26074-000	ROLLER PIN	1
17	25865-000	ROLLER ASSEMBLY	2
18	11402-200	RETAINING RING EXT SPIRAL 2 DIA	2
19	11910-000	FITTING GREASE 1/8 NPT STR	3
20	11913-000	FITTING GREASE 1/4 NPT STR	2
21	26068-000	MID BOOM COVER PLATE	1
22	11002-008	EXTRA THICK GRADE 8 SAE WASHER	1
23	11001-005	WASHER 5/16 SAE FLAT ASTM	6
24	10001-020	SCREW 5/16-18UNC HHC X 2-1/2	2
25	11001-008	WASHER 1/2 SAE FLAT	12
26	10004-016	SCREW 1/2-13UNC HHC X 2	4
27	10154-004	SCREW 1/4-20UNC FSHC X 1/2	2
28	10004-010	SCREW 1/2-13UNC HHC X 1-1/4	1
29	11001-006	WASHER 3/8 SAE FLAT	16
30	10002-008	SCREW 3/8-16UNC HHC X 1	12
31	10001-032	SCREW 5/16-18UNC HHC X 4	2
32	10900-005	NUT 5/16-18UNC REG HEX	2
33	10002-026	SCREW 3/8-16UNC HHC X 3-1/4	2
34	10900-006	NUT 3/8-16UNC REG HEX	2
35	10105-007	SCREW 1/2-13UNC SBHC X 7/8	8

TABLE 9-9. OUTER BOOM ROLLER ASSEMBLY (25866-000)			
ITEM	PART NUMBER	DESCRIPTION	QTY
1	26005-000	OUTER BOOM ROLLER	1
2	26010-000	INNER THRUST WASHER	2
3	13807-000	OUTER ROLLER BEARING	2
4	13808-000	BEARING INNER RACE	2
5	13760-002	TORRINGTON #TRD-3244 THRUST WASHER	2

TABLE 9-14. EXTEND CYLINDER PIN ASSEMBLY (26642-000)			
ITEM	PART NUMBER	DESCRIPTION	QTY
1	26233-000	EXTEND CYLINDER PIN	1
2	11222-011	HAIRPIN CLIP, DOUBLE-LOOP 3MM X 3/4"	2

TABLE 10-2. FRONT CONTROL CONSOLE ASSEMBLY (33163-000)			
ITEM	PART NUMBER	DESCRIPTION	QTY
1	32848-001	FRONT CONSOLE SUB-ASSEMBLY	1
2	25015-030	ELECTRICAL ASSY, 1245/1255 T4F	1
3	26745-000	STEERING COLUMN ASSY	1
4	14660-000	SHIFTER, HOBBS 3 SPEED	1
5	25642-000	ACCESS PANEL HINGE	1
6	14651-010	STEERING WHEEL, PFS 362HTSK5/C-xxx	1
7	14653-010	HORN BUTTON, PFS C-0047.0218	1
8	13110-000	AUX OUTLET, 782-1635	1
9	13157-000	SWITCH KEY, KEYED-ALIKE, PERKINS	1
10	13163-000	PLATE KEY SWITCH, HOBBS	1
11	12762-001	DISPLAY PANEL, 854 PERKINS	1
12	32846-000	COVER-FRONT CONSOLE	1
13	33160-000	PLATE- DISPLAY ADAPTER	1
14	18004-060	LABEL DASH OVERLAY, T4F	1
15	12827-001	VALVE CONTROLLER, HAWE T4F	1
REF	33182-000	HARNES- OPERATOR CONTROL HANDLE (NOT SHOWN)	1

TABLE 10-7. FRONT HANDLE ASSEMBLY (32267-000)			
ITEM	PART NUMBER	DESCRIPTION	QTY
1	32266-000	ROD, OEM HANDLE	1
2	12831-000	HANDLE GRIP - OEM	1
3	10940-012	NUT M12X1.75 REG HEX METRIC	1

TABLE 10-13. ENGINE COVER ASSEMBLY (33153-000)			
ITEM	PART NUMBER	DESCRIPTION	QTY
1	33146-000	SUB ASSY, ENG COVER	1
2	24756-000	HOOD ROLLER ASSEMBLY, SM HOOD	2
3	13558-000	PULL HANDLE 6"	2
4	33107-000	BRKT, ENG COVER SUPPORT	1
5	33137-000	ENG COVER FRONT	1
6	13552-001	DRAW LATCH (REF 13552-000)	1
7	11001-003	WASHER #10 SAE FLAT	36
8	10908-003	NUT #10-24UNC HEX LOCK REG	22
9	10253-005	CR-PHMS 0.19-24x0.625x0.625-N	12
10	10001-007	SCREW 5/16-18UNC HHC X 3/4	16
11	10253-006	CR-PHMS 0.19-24x0.75x0.75-N	2
12	10273-006	SCREW 10-24UNC OHM X 3/4	8
13	11001-005	WASHER FW 0.3125	21
14	10908-005	NUT 5/16-18 UNC HEX LOCK REG	5

TABLE 10-18. TOOLBOX ASSEMBLY (26604-001)			
ITEM	PART NUMBER	DESCRIPTION	QTY
1	26601-001	TOOLBOX WELDMENT NC	1
2	26091-001	TOOLBOX COVER	1
3	26269-000	COVER HINGE	1
4	13558-000	PULL HANDLE 6"	1
5	10273-006	SCREW	4
6	11001-003	WASHER	4
7	10908-003	NUT	4
8	11001-004	WASHER 1/4 SAE FLAT ASTM	18
9	10101-006	SCREW 1/4-20UNC SBHC X 3/4	4
10	10101-005	SCREW 1/4-20UNC SBHC X 5/8	5
11	10900-004	NUT 1/4-20 UNC REG HEX	9

# NUMERICAL INDEX

---

11698-006	PLUG EXT HEX HD -08MB	77
11698-008	PLUG EXT HEX HD -12MB	103
11700-001	FITTING STRAIGHT -04MB-04MFS	95
11700-001	FITTING STR -04MB-04MFS	109
11700-001	FITTING STR 04MFS-04MB	115
11700-001	FITTING STR 04MFS-04MB	117
11700-001	FITTING STR -04MB-04MFS	145
11700-009	FITTING STRAIGHT -06MB-06MFS	95
11700-009	FITTING STR -06MB-06MFS	109
11700-009	FITTING STR 06MFS-06MB	115
11700-009	FITTING STR -06MB-06MFS	143
11700-009	FITTING STR -06MB-06MFS	145
11700-009	FITTING STR 06MFS-06MB	147
11700-010	FITTING STR 06MFS-08MB	93
11700-010	FITTING STRAIGHT -08MB-06MFS	95
11700-010	FITTING STRAIGHT 06MFS-08MB	103
11700-010	FITTING STR 06MFS-08MB	113
11700-011	FITTING STR 06MFS-10MB	117
11700-014	FITTING STRAIGHT 08MFS-08MB	103
11700-014	FITTING STR -08MB-08MFS	109
11700-014	FITTING STR 08MFS-08MB	113
11700-014	FITTING STR 08MFS-08MB	119
11700-015	FITTING STR -10MB-08MFS	109
11700-015	FITTING STR 08MFS-10MB	117
11700-019	FITTING STR -10MB-10MFS	77
11700-019	FITTING STR 10MFS-10MB	117
11700-019	FITTING STR 10MFS-10MB	127
11700-024	FITTING STR 12MFS - 16MB	109
11700-027	FITTING STR -16MB-16MFS	109
11700-028	FITTING STRAIGHT -20MB-16MFS	103
11700-028	FITTING STR 16MFS-20MB	107
11701-005	FITTING STR 12MFS-12MB	63
11702-001	FITTING ELBOW 90 -04MBA-04MFS	77
11702-001	FITTING ELBOW 90 04MFS-04MB	77
11702-001	FITTING ELBOW 90 -04MBA-04MFS	89
11702-001	FITTING ELBOW 90 -04MBA-04MFS	107
11702-001	FITTING ELBOW 90 -04MBA-04MFS	109
11702-001	90 ELBOW, 4MFS-MBA	255
11702-002	FITTING ELBOW 90 -06MBA-04MFS	91
11702-006	FITTING ELBOW 90 -06MBA-06MFS	91
11702-006	FITTING ELBOW 90 -06MBA-06MFS	123
11702-010	FITTING ELBOW 90 -06MBA-08MFS	95
11702-011	FITTING ELBOW 90 -08MBA-08MFS	77

CLICK HERE TO **DOWNLOAD** THE COMPLETE MANUAL

- Thank you very much for reading the preview of the manual.
- You can download the complete manual from: [www.heydownloads.com](http://www.heydownloads.com) by clicking the link below



- Please note: If there is no response to CLICKING the link, please download this PDF first and then click on it.

CLICK HERE TO **DOWNLOAD** THE COMPLETE MANUAL

25060-000	FITTING KIT, ACCUMULATOR	93
25061-000	BOOM/LIFT CYL. FITTING KIT	123
25062-001	KIT, FITTING HYDRAULIC TANK	103
25067-000	BOOM FITTING KIT	113
25070-002	FUEL TANK FITTING KIT (11568-003x2, 11564-010x1, 11564-015x1)	69
25072-000	OUTRIGGER CYLINDER FITTING KIT	149
25096-001	FUEL SENDER WIRE HARNESS	69
25100-000	CARRIAGE WELDMENT 945/1145	253
25101-000	CARRIAGE FORK WELDMENT	253
25102-000	TILT CYLINDER	141
25103-000	FORK MOUNTING PIN WELDMENT	253
25103-004	FORK MOUNTING PIN WELDMENT	255
25104-000	LIFT CYLINDER SUB-ASSEMBLY	123
25106-001	CARRIAGE PIN ASSEMBLY	193
25107-001	LATCH PLATE WELDMENT	193
25114-000	CHAIN SHEAVE ASSEMBLY	189
25115-000	SHEAVE PIN WELDMENT	189
25116-000	CHAIN SHEAVE ASSEMBLY	189
25122-000	SLIDE BLOCK ASSEMBLY	180
25122-000	SLIDE BLOCK ASSY	185
25122-000	SLIDE BLOCK ASSEMBLY	189
25122-001	SLIDE BLOCK ASSY-EXT TUBE RETRO	213
25133-000	ROLLER ASSY	185
25143-000	BOOM MANIFOLD ASSEMBLY	191
25144-000	HOSE CLAMP ASSY	185
25173-000	ACCESS COVER	183
25174-000	PLATE CUT SHAPE	191
25184-001	CARRIAGE PIN	257
25186-001	CARRIAGE ADAPTER SPRING	193
25191-000	CHAIN SHEAVE	211
25198-000	BEARING CAP	211
25212-005	PART, ISOLATION VALVE	28
25214-001	DISTRIBUTION MANIFOLD ASSEMBLY	28
25215-000	BRAKE VALVE ASSEMBLY	217
25267-000	ROTATE CYLINDER PIN	183
25268-000	HOSE GUIDE	185
25269-000	CHAIN ANCHOR	183
25270-000	HOSE GUIDE	189
25271-000	SLIDE BLOCK	197
25272-000	SLIDE BLOCK INSERT	197
25273-000	CHAIN ANCHOR	183
25282-000	SHEAVE HUB	189
25283-000	SLIDE BLOCK SHIM	189

# ALPHABETICAL INDEX

---

FITTING STRAIGHT -06MB-06MFS	11700-009	95
FITTING STRAIGHT 06MFS-08MB	11700-010	103
FITTING STRAIGHT -08MB-06MFS	11700-010	95
FITTING STRAIGHT 08MFS-08MB	11700-014	103
FITTING STRAIGHT -20MB-16MFS	11700-028	103
FITTING TEE -04MFS-04FFSS-04MFS	11729-001	79
FITTING TEE -04MFS-04FFSS-04MFS	11729-001	81
FITTING TEE -6MFS-6MBA-6MFS	11707-004	91
FITTING TEE -8MFS-12MBA-8MFS	11707-007	107
FITTING, 1" NPT PLUG SQ HD	4778K156	103
FITTING-ELBOW MODIFIED -06MBA-04MFS-04FBA	26057-000	91
FITTING-QD COUPLING-FEMALE	11956-000	183
FITTING-QD COUPLING-MALE	11957-000	183
FIXED CARRIAGE 48"	25437-000	253
FIXED CARRIAGE 60"	27432-000	253
FIXED CARRIAGE 72" HEAVY DUTY W/ FLIP	25419-020	253
FIXED CARRIAGE 96"	26330-000	253
FLEX PIPE 3"	A13982-210	71
FOAM FILLED REGRIND TIRES 15.5X25 G2 LH +OFFSET	14535-120	97
FOAM FILLED REGRIND TIRES 15.5X25 G2 RH +OFFSET	14534-120	97
FOAM FILLED TIRES 15.5X25 E3-EBT ROCKDAWG+OFFSET	14508-110	97
FOAM FILLED TIRES 15.5X25 G2 LH +OFFSET EFFECTIVE 2/12/13	14535-100	97
FOAM FILLED TIRES 15.5X25 G2 RH +OFFSET EFFECTIVE 2/12/13	14534-100	97
FORK ADJ MANIFOLD ASSEMBLY	27543-000	255
FORK ADJUSTING CYLINDER	29044-000	255
FORK LIFT JIB 12' TELE	14890-000	253
FORK LIFTING HOOK	14898-000	253
FORK MOUNTING PIN WELDMENT	25103-000	253
FORK MOUNTING PIN WELDMENT	25103-004	255
FORK SPACER	26381-000	255
FORK TINES 2-1/4 X 4 X 60 2P	14851-000	13
FRAME SWAY HANDLE	18067-000	54
FRONT AXLE - DANA	14617-000	79
FRONT AXLE ASSY 1245/1255	27086-001	28
FRONT CONSOLE SUB-ASSY	32848-001	219
FRONT CONTROL CONSOLE ASSY T4F	33163-000	217
FRONT CONTROL ENCLOSURE WELDMENT	32845-001	221
FRONT COVER	25591-004	237
FRONT COVER ASSY	25758-003	17
FRONT COVER BRACKET-LH	25992-000	28
FRONT COVER BRACKET-RH	25991-000	28
FRONT COVER GUIDE BRACKET	26055-000	28
FRONT COVER STRUT MT RH	26053-000	28

SCREW #10-24UNC PHM X 3/4	10253-006	225
SCREW #10-24UNC PHM X 3/4	10253-006	227
SCREW #10-24UNC PHM X 3/4	10253-006	237
SCREW #10-24UNC PHM X 3/4	10253-006	245
SCREW #10-24UNC PHM X 5/8	10253-005	243
SCREW #10-24UNC PHM X 5/8	10253-005	245
SCREW #6X25 HEX HEAD	11357-000	175
SCREW #6X25 HEX HEAD	11357-000	205
SCREW #8-32UNC PH MACHINE X 1/2	10252-004	157
SCREW 1/2-13UNC HHC X 1	10004-008	23
SCREW 1/2-13UNC HHC X 1	10004-008	180
SCREW 1/2-13UNC HHC X 1	10004-008	183
SCREW 1/2-13UNC HHC X 1	10004-008	213
SCREW 1/2-13UNC HHC X 1-1/2	10004-012	29
SCREW 1/2-13UNC HHC X 1-1/4	10004-010	13
SCREW 1/2-13UNC HHC X 1-1/4	10004-010	29
SCREW 1/2-13UNC HHC X 1-1/4	10004-010	180
SCREW 1/2-13UNC HHC X 1-1/4	10004-010	185
SCREW 1/2-13UNC HHC X 1-1/4	10004-010	189
SCREW 1/2-13UNC HHC X 1-3/4	10004-014	29
SCREW 1/2-13UNC HHC X 2	10004-016	61
SCREW 1/2-13UNC HHC X 2	10004-016	189
SCREW 1/2-13UNC HHC X 2-1/2	10004-020	181
SCREW 1/2-13UNC HHC X 2-1/4	10004-018	180
SCREW 1/2-13UNC HHC X 3	10004-024	17
SCREW 1/2-13UNC HHC X 3/4	10004-006	29
SCREW 1/2-13UNC HHC X 4	10004-032	181
SCREW 1/2-13UNC HHC X 4	10004-032	255
SCREW 1/2-13UNC SBHC X 1-1/4	10105-010	129
SCREW 1/2-13UNC SBHC X 7/8	10105-007	181
SCREW 1/2-13UNC SBHC X 7/8	10105-007	185
SCREW 1/2-13UNC SBHC X 7/8	10105-007	189
SCREW 1/2-20UNF HHC X 4-3/4	10024-038	183
SCREW 1/3-12UNC HHC X 1-1/2	10004-012	31
SCREW 1/3-12UNC HHC X 1-1/2	10004-012	191
SCREW 1/4-20UNC FSHC X 1/2	10154-004	189
SCREW 1/4-20UNC FSHC X 1-3/4	10154-014	227
SCREW 1/4-20UNC HHC X 1	10000-008	22
SCREW 1/4-20UNC HHC X 1	10000-008	237
SCREW 1/4-20UNC HHC X 1/2	10000-004	171
SCREW 1/4-20UNC HHC X 1/2	10000-004	217
SCREW 1/4-20UNC HHC X 1-1/4	10000-010	23
SCREW 1/4-20UNC HHC X 3/4	10000-006	17

# ADDENDUM 1

---

# SCHEMATICS

Alternator (PPL094947)			
ITEM	PART NUMBER	DESCRIPTION	QTY
1	T412614	ALTERNATOR	1
2	T412615	LEVER	1
3	T412622	SCREW	1
4	2318A208	NUT	1
5	2314J003	SCREW	2
6	T412378	NUT	1
7	T411846	ALTERNATOR BRACKET	1
8	2314J008	SCREW	2
9	2318A604	NUT	1
10	T412190	WASHER	1
11	T412377	SCREW	1
12	T412190	WASHER	1

Timing Case (PPL096067)			
ITEM	PART NUMBER	DESCRIPTION	QTY
1	T414123	TIMING CASE	1
2	T411957	GASKET - TIMING COVER	1
3	T411880	TIMING COVER	1
4	T411915	RELIEF VALVE	1
5	2313C062	STUD	3
6	2314H004	SCREW	1
7	2314H007	SCREW	1
8	T412253	BOLT	7
9	T411791	DOWEL	2
10	T412489	SCREW	3
11	2314H006	BOLT	2
12	2314H006	BOLT	12
13	T412343	SCREW	3
14	2313C041	STUD	3
15	2314K161	SCREW	1
16	T412490	SCREW	2

Crankshaft, Main Bearings & Big End Bearings (PPL093900)			
ITEM	PART NUMBER	DESCRIPTION	QTY
1	T418368	CRANKSHAFT ASSEMBLY	1
2	REF	CRANKSHAFT	1
3	T411836	DISC	1
4	T411765	DOWEL	1
5	T411773	SCREW	3
6	T412661	SEAL, REAR END OIL	1
7	T400452	FRONT END OIL SEAL, 90mm X 112mm X10.6mm	1
7	T412308	FRONT END OIL SEAL, 90mm X110mm X7mm	1
8	T412815	MAIN BEARING KIT	1
(8)	T412787	MAIN BEARING KIT U/S	1
(8)	T412810	MAIN BEARING KIT U/S	1

Fan Extension (PPL096925)			
ITEM	PART NUMBER	DESCRIPTION	QTY
1	T414667	SPACER	1
2	2313H236	STUD	4
3	2318A603	NUT	4

Fuel Filter (PPL096030)			
ITEM	PART NUMBER	DESCRIPTION	QTY
1	3679086	FUEL FILTER ASSEMBLY	1
2	REF	FUEL FILTER HEAD	1
3	3611272	FUEL FILTER ASSEMBLY	1
4	REF	FUEL FILTER BODY	1
5	3611274	FUEL FILTER	1
6	T410736	DRAIN PLUG	1
7	T410501	TEMPERATURE SENSOR	1
8	T410737	PLUG	1
9	T412504	PROTECTION KIT	1

Rocker Shaft Assembly (PPL104607)			
ITEM	PART NUMBER	DESCRIPTION	QTY
1	T419526	ROCKER SHAFT ASSEMBLY MINOR	1
2	REF	ROCKER SHAFT	1
3	T411885	PLUG	1
4	T411885	PLUG	1
5	T419470	ROCKER LEVER	4
6	T419541	ROCKER SHAFT SPRING	4
7	T419470	ROCKER LEVER	4
8	T419551	BRACKET	1
9	T411897	SCREW	1
10	2314F013	SCREW	10

Electronic Sensors (PPL105493)			
ITEM	PART NUMBER	DESCRIPTION	QTY
1	T411843	CRANKSHAFT SPEED SENSOR	1
2	REF	CRANKSHAFT SPEED SENSOR	1
3	T412304	SEAL O RING	1
4	T411853	SCREW	1
5	T415680	SPEED SENSOR	1
6	REF	SPEED SENSOR	1
7	T413080	SEAL O RING	1
8	T411853	SCREW	1

Water Outlet Housing (PPL104556)			
ITEM	PART NUMBER	DESCRIPTION	QTY
1	T421675	THERMOSTAT ASSEMBLY	1
2	T411839	SEAL THERMOSTAT HOUSING	1
3	T411852	PRESSURE VALVE	1
4	T414935	BRACKET	1
5	T411847	SCREW	2
6	2311D038	SCREW	1
7	2314H019	SCREW	1
8	T412358	BOLT	2
9	T413123	NUT	1

Turbocharger (PPL104686)			
ITEM	PART NUMBER	DESCRIPTION	QTY
1	T419800	TURBOCHARGER	1
2	T412762	GASKET TURBOCHARGER	1
3	T412745	NUT	2
4	T419817	PIPE TURBO	1
5	T419820	BANJO BOLT	1
6	T400487	SEAL	1
7	T400487	SEAL	1
8	T413830	PIPE TURBO OIL DRAIN	1
9	REF	PIPE TURBO	1
10	T412312	SEAL O	1
11	T412312	SEAL O	1
12	T411945	GASKET	1
13	2311D038	SCREW	2
14	T414964	HOSE BOOST	1
15	T415137	PIPE CLIP	1
16	T415137	PIPE CLIP	1
17	T414966	HOSE BOOST	1
18	T415137	PIPE CLIP	1
19	T415137	PIPE CLIP	1
20	T419818	HOSE BOOST	1
21	T415137	PIPE CLIP	1
22	T415137	PIPE CLIP	1
23	T415793	COVER	1
24	REF	COVER	1
25	T415810	BANJO CONNECTION	1
26	T412770	BANJO BOLT	1
27	T412773	WASHER	1
28	T412773	WASHER	1
29	T415809	BANJO CONNECTION	1
30	T412770	BANJO BOLT	1
31	T412773	WASHER	1
32	T412773	WASHER	1
33	T412790	GASKET	1
34	2314F003	SCREW	3
35	2314F007	SCREW	3
36	T419814	HOSE CLIP	1
37	2314H002	SCREW	1
38	T414931	BRACKET	1
39	REF	BRACKET	1
40	T412777	HOSE CLIP	2

DEF Tank (PPL106943)			
ITEM	PART NUMBER	DESCRIPTION	QTY
1	T420348	DEF TANK	1
2	REF	DEF TANK	1
3	T414486	CAP	1
4	T400424	FILTER	1
5	T414313	STRAP	1
6	T420221	DRAIN PLUG	1
7	T400737	DEF HEADER	1
8	REF	DEF HEADER	1
9	T420227	CLAMP	1
10	T420222	SCREW	2
11	T420264	SEAL O RING	1
12	T420265	FILTER	1
13		FILTER	1
14		SCREW	1

Wiring Harness (PPL106827)			
ITEM	PART NUMBER	DESCRIPTION	QTY
1	T419851	WIRING HARNESS	1
2	T419542	BRACKET	1
3	T412358	BOLT	3
4	T411956	CAPSCREW	1
5	T419557	BRACKET	1
6	2314F003	SCREW	1
7	T419559	BRACKET	1
8	2314F003	SCREW	1
9	T414297	BRACKET	1

Flywheel Housing (PPL094510)			
ITEM	PART NUMBER	DESCRIPTION	QTY
1	REF	FLYWHEEL HOUSING	1
1	T416235	FLYWHEEL HOUSING	1
1	T414897	FLYWHEEL HOUSING	1
1	REF	FLYWHEEL HOUSING	1
2	T412206	COVER	1
3	2314F001	SCREW	2
4	2314J712	SCREW	2
5	2314J710	SCREW	4
5	2314J712	SCREW	2
6	2314J706	SCREW	2
6	2314J710	SCREW	4
7	2314J706	SCREW	2
7	T412314	SCREW	2
8	T412314	SCREW	2

1207FT20317-102

ASSY-T20000 TRANSMISSION FOR XTREME MANUFACTURING

<u>Item</u>	<u>Qty</u>	<u>Part Number</u>	<u>%</u>	<u>Description</u>
1	1	231136	E	FLANGE-COMPAGNION 6C-4-141
2	1	214985	E	FLANGE-COMPANION 6C
3				Not Used On This Model

T20000  
GROUP-TORQUE CONVERTER ASSEMBLY

<u>Item</u>	<u>Qty</u>	<u>Part Number</u>	<u>%</u>	<u>Description</u>
1	1	14107-017	E	ASSY-TORQUE CONVERTER 1207
2	1	238391	D	BEARING-IMPELLER HUB GEAR
3	1	5JM45	C	RING-EXTERNAL SNAP
4	1	223015		PLUG-TORQUE CONVERTER
5	1	60K30114	B	"O" RING-TORQUE CONVERTER PLUG
6	1	246354	C	RING-SNAP
7	2	4205114	C	RING-TURBINE RETAINING

T20000  
GROUP-REVERSE & 2ND SHAFT

<u>Item</u>	<u>Qty</u>	<u>Part Number</u>	<u>%</u>	<u>Description</u>
1	1	4209371	E	ASSY-REV. & 2ND SHAFT, DRUM & PLUG
2	1	4207202	D	ASSY-CLUTCH PISTON AND SEALS-INCL.ITEMS 3 & 4
3	1	237032	B	SEAL-CLUTCH PISTON - OUTER - PART OF ITEM 2
4	1	234113	B	SEAL-CLUTCH PISTON - INNER - PART OF ITEM 2
5	1	4207175	B	ASSY-CLUTCH PISTON AND SEALS-INCL.ITEMS 6 & 7
6	1	237032	B	SEAL-CLUTCH PISTON - OUTER - PART OF ITEM 5
7	1	234113	B	SEAL-CLUTCH PISTON - INNER - PART OF ITEM 5
8	8	237016	C	DISC-CLUTCH INNER REV
9	6	237016	C	DISC-CLUTCH INNER 2ND
10	8	234109	C	DISC-CLUTCH OUTER REV
11	6	234109	C	DISC-CLUTCH OUTER 2ND
12	1	237442		SPACER-PISTON RETURN SPRING REV CLUTCH
13	2	4204253	C	END PLATE
14	2	234111	C	SNAP RING-BACKING PLATE
15	1	235960	D	SPRING-PISTON RETURN 2ND CLUTCH
16	1	235959		RETAINER-SPRING 2ND CLUTCH
17	1	247656	D	ASSY-DISC SPRING - INCLUDING 5 WASHERS
18	1	234350	D	SNAP RING-SPRING RETAINING 2ND CLUTCH
19	1	230829	C	BEARING-CLUTCH DRIVEN GEAR
20	1	233389	C	BEARING-CLUTCH DRIVEN GEAR
21	2	234141	D	RING-CLUTCH GEAR BRG RETAINING
22	1	241606	C	BALL-BEARING
23	1	247949	D	RING-FRONT BEARING RETAINING
24	1	230889	D	SNAP RING-FRONT BEARING
25	3	4208098	B	PISTON-RING
28	1	234347	D	RING-2ND CLUTCH DISC HUB RETAINING
29	1	233065	C	BEARING-REV. & 2ND SHAFT REAR
30	1	4205141		SPACER-CLUTCH DRIVEN GEAR BEARING
31				GEAR-REVERSE CLUTCH - SEE GEAR GROUP

T20000


GROUP-CHARGING PUMP &amp; FILTER 14.5 GPM

<u>Item</u>	<u>Qty</u>	<u>Part Number</u>	<u>%</u>	<u>Description</u>
1	1	14107-046	D	PUMP-CHARGING STANDARD ( 180-220 PSI )
2	1	14107-011	C	ASSEMBLY-HYDRAULIC SPIN ON FILTER
3	1	14107-036	B	GASKET-PUMP ASSEMBLY TO CONV. HSG.
4	1	X15-10105-000	B	"O" RING
5	1	1C776		SCREW-PUMP MOUNTING
5A	4	1C772		SCREW-PUMP MOUNTING
6	5	4E7		LOCKWASHER-PUMP MOUNTING SCREW


# ADDENDUM 4

---


# AXLES

 Mod. 213/138 Technical Documentation	DISTINTA PEZZI DI RICAMBIO ERSATZTEILLISTE LISTE DES PIECES DE RECHANGE LIST OF SPARE PARTS  Descr. <b>HUB REDUCTION</b>	Drawing 213-06-0001
		Page N. 1
		Date 11/05/09


Pos.	NUMERO DISEGNO BESTELLNUMMER REFERENCE NUMERO PART NUMBER	Q.ty	DENOMINAZIONE BEZEICHNUNG DESCRIPTION DENOMINATION	Type	Subassembly
1	213.06.001.01	2	BRACCIO ACHSKOERPER CORPS D'ESSIEU AXLE CASE	213	213-06/40
2		0			
3	112.06.070.07	40	VITE SCHRAUBE VIS BOLT		
4	016.13.3392	2	VITE SCHRAUBE VIS BOLT		14617-040
5	006.03.0197	2	DADO MUTTER ECROU NUT		14617-041
6	016.28.3390	24	VITE SCHRAUBE VIS BOLT		14617-042
7	008.01.0213	4	INGRASSATORE KEGEL - SCHMIERNIPPEL GRAISSEUR GREASE FITTING		14617-043
8	213.06.007.03	2	PERNO SNODO ACHSSCHENKELBOLZEN PIVOT DE DIRECTION PIVOT PIN		14617-044
9		0			
10	212.06.026.02	2	SPESSORE PASS - SCHEIBE CALE SHIM		14617-045

 Mod. 213/138 Technical Documentation	DISTINTA PEZZI DI RICAMBIO ERSATZTEILLISTE LISTE DES PIÈCES DE RECHANGE LIST OF SPARE PARTS	Drawing 213-07-0001
	Descr. <b>BRAKE</b>	Page N. 3
		Date 11/05/09

Pos.	NUMERO DISEGNO BESTELLNUMMER REFERENCE NUMERO PART NUMBER	Q.ty	DENOMINAZIONE BEZEICHNUNG DESCRIPTION DENOMINATION	Type 213	Subassembly 213-07/01
21	113.07.610.01	6	DISCO FRENO BREMSSCHEIBE DISQUE DE FREIN BRAKE DISC		<b>XTREME PART #S</b> <b>14617-028</b>
22	113.07.014.02	2	BUSSOLA ZWISCHENBUCHSE BUSSOLA BUCHSE		<b>14617-088</b>
23	113.07.007.01	2	DISCO FRENO INTERMEDIO GEGENLAMELLE DISQUE INTERMEDIAIRE INTERMEDIATE BRAKE DISC		<b>14617-087</b>
24	113.07.006.01	2	ANELLO RING BAGUE RING		
25	176.07.021.01	2	PIGNONE RITZEL PIGNON PINION		
26	001.05.1526	2	ANELLO OR O - RING JOINT OR O - RING		<b>14617-029</b>
27	176.07.023.02	2	LAMIERA DI SICUREZZA SICHERUNGSBLECH TOLE DE SECURITE LOCKING PLATE		<b>14617-032</b>
28	016.36.4305	2	VITE SCHRAUBE VIS BOLT		
29	001.05.2945	2	ANELLO OR O - RING JOINT OR O - RING		<b>14617-016</b> <b>OR 14617-030</b>

 Mod. 213/139 Technical Documentation	DISTINTA PEZZI DI RICAMBIO ERSATZTEILLISTE LISTE DES PIÈCES DE RECHANGE LIST OF SPARE PARTS	Drawing 213-04-0001
	Descr. <b>DIFFERENTIAL</b>	Page N. 1
		Date 11/05/09

Pos.	NUMERO DISEGNO BESTELLNUMMER REFERENCE NUMERO PART NUMBER	Q.ty	DENOMINAZIONE BEZEICHNUNG DESCRIPTION DENOMINATION	Type	Subassembly
1	016.36.4155	4	VITE SCHRAUBE VIS BOLT	213	213-04/08 <b>XTREME PART #S</b>
2	113.04.026.01	2	LAMIERA DI SICUREZZA SICHERUNGSBLECH TOLE DE SECURITE LOCKING PLATE		
3	176.04.009.02	2	GHIERA WELLENMUTTER ECROU RING NUT		
4	005.09.0762	2	CUSCINETTO A RULLI CONICI KEGELROLLENLAGER ROULEMENT A R. CONIQUES TAPER ROLLER BEARING		<b>14617-072</b>
5	016.28.3390	20	VITE SCHRAUBE VIS BOLT		<b>14617-042</b>
6	113.04.702.03	1	DIFFERENZIALE DIFFERENTIAL DIFFERENTIEL DIFFERENTIAL		
7	113.04.004.02	2	PERNO BOLZEN AXE PIN		<b>14617-071</b>
8	734.04.010.01	2	RONDELLA DI RASAMENTO ANLAUFSCHEIBE RONDELLE FRICTION WASHER		
9	734.04.005.02	2	PLANETARIO AUSGLEICHSWELLENRAD PLANETAIRE DIFFERENTIAL SIDE GEAR		
10	734.04.007.02	4	SATELLITE AUSGLEICHSKEGELRAD SATELLITE DIFFERENTIAL PINION		

 Mod. 213/139 Technical Documentation	DISTINTA PEZZI DI RICAMBIO ERSATZTEILLISTE LISTE DES PIECES DE RECHANGE LIST OF SPARE PARTS	Drawing 213-06-0001
	Descr. <b>HUB REDUCTION</b>	Page N. 6
		Date 11/05/09

Pos.	NUMERO DISEGNO BESTELLNUMMER REFERENCE NUMERO PART NUMBER	Q.ty	DENOMINAZIONE BEZEICHNUNG DESCRIPTION DENOMINATION	Type 213	Subassembly 213-06/71
51	213.06.720.01	1	SCATOLA SNODO GELENKGEHAEUSE BOITIER DE DIRECTION STEERING CASE		<b>XTREME PART #S</b> <b>14617-060</b>
52	213.06.719.01	1	SCATOLA SNODO GELENKGEHAEUSE BOITIER DE DIRECTION STEERING CASE		<b>14617-061</b>
53		0			
54		0			
55		0			
56		0			
57		0			
58		0			
59	213.06.711.01	4	VITE DI FERMO STERZO LENKEINSCHLAGSCHRAUBE VIS D'ARRET BRAQUAGE STEERING ADJUST BOLT		<b>14617-062</b>
60	113.06.708.01	2	SUPPORTO PORTACORONA HOHLRADTRAEGER SUPPORT PORTE COURONNE RING GEAR SUPPORT		

# **ADDENDUM 5**

---

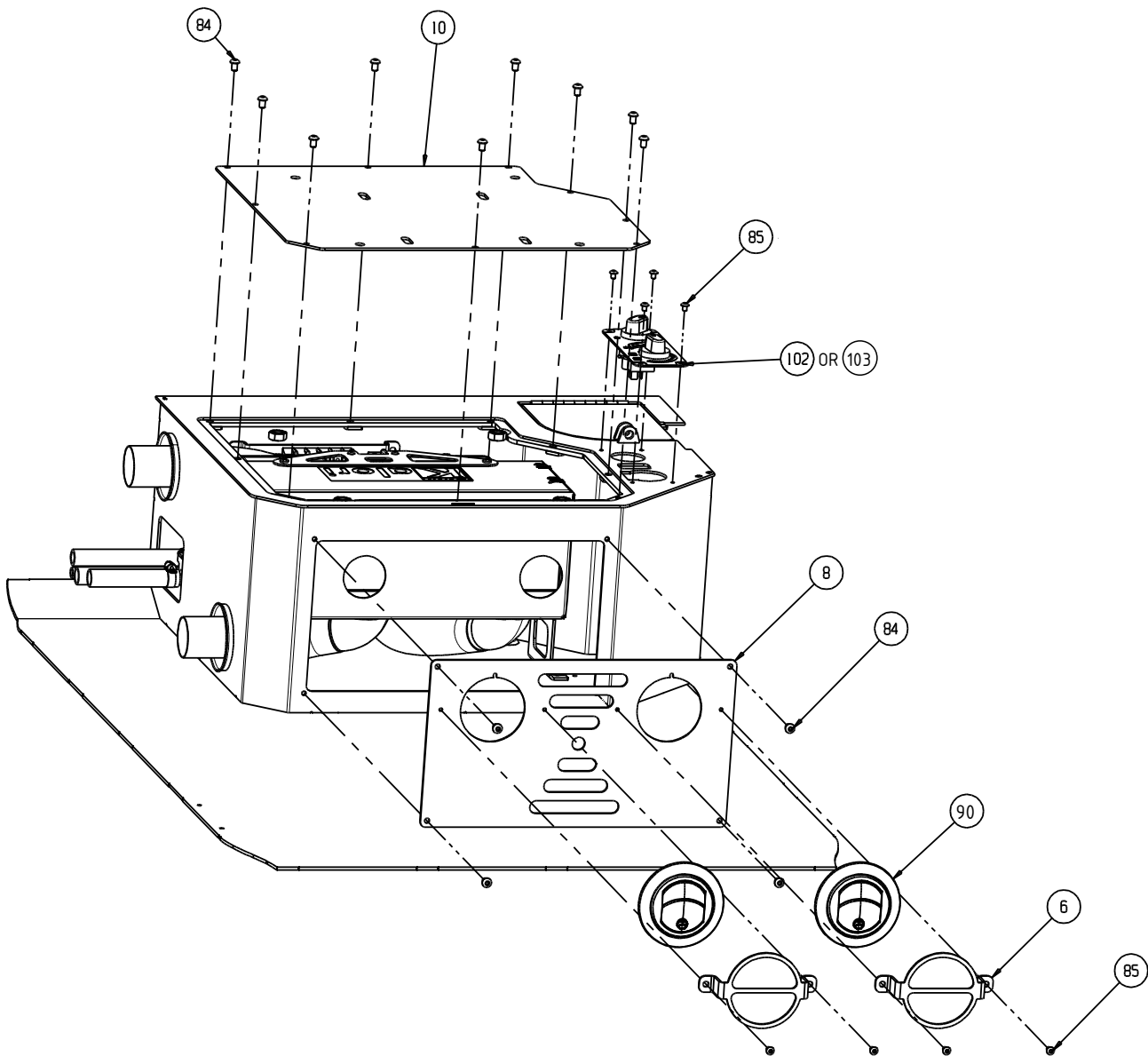
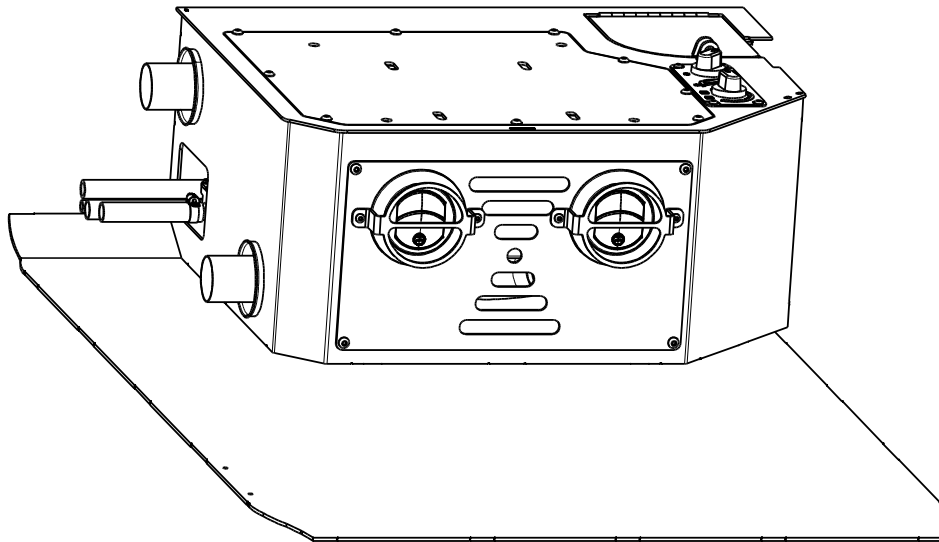
# **PUMP**



Spare Parts List

K3VL 45, 60, 80

CODE DESCRIPTION		K3VL80	QTY	Part #
Service kit				
	Rotary Group Kits (Includes items: 011, 013, 211, 153-1) Clockwise Counterclockwise			P-29L82803R P-29L82803L
	Swash Group Kits (Includes items: 030, 251) Clockwise Counterclockwise			P-29L82177R P-29L82177L
	Seal Kits (Standard) Pump (Included Shaft Seal) P0/L0 Regulator Torque Limiter Thru-drive SAE A SAE B, BB SAE C, CC SAE D			P-29L8100S0Y P-293LP0Y P-2938HY  P-00RBG85KD P-29LHTBY P-29LHTCY ---
	Thru-drive Kits (All Nitrile) SAE A T/D Kit (Coupling & o-ring) SAE B Thru-drive Kit SAE BB Thru-drive Kit SAE C 2-bolt Thru-drive Kit SAE C 4-bolt Thru-drive Kit SAE CC Thru-drive Kit SAE D Thru-drive Kit			P-29L8TAKD P-29L8TBKD P-29L8T2KD P-29L8TCKD P-29L8TC4KD --- ---
	Regulator Conversion Kits P0 to L0 L0 to P0			P-969-0348 P-969-0347



CLICK HERE TO **DOWNLOAD** THE COMPLETE MANUAL

- Thank you very much for reading the preview of the manual.
- You can download the complete manual from: [www.heydownloads.com](http://www.heydownloads.com) by clicking the link below



- Please note: If there is no response to CLICKING the link, please download this PDF first and then click on it.

CLICK HERE TO **DOWNLOAD** THE COMPLETE MANUAL