

XR1255 T3 FORWARD REACH FORKLIFT PARTS MANUAL

CLICK HERE TO **DOWNLOAD** THE COMPLETE MANUAL

- Thank you very much for reading the preview of the manual.
- You can download the complete manual from: www.heydownloads.com by clicking the link below



- Please note: If there is no response to CLICKING the link, please download this PDF first and then click on it.

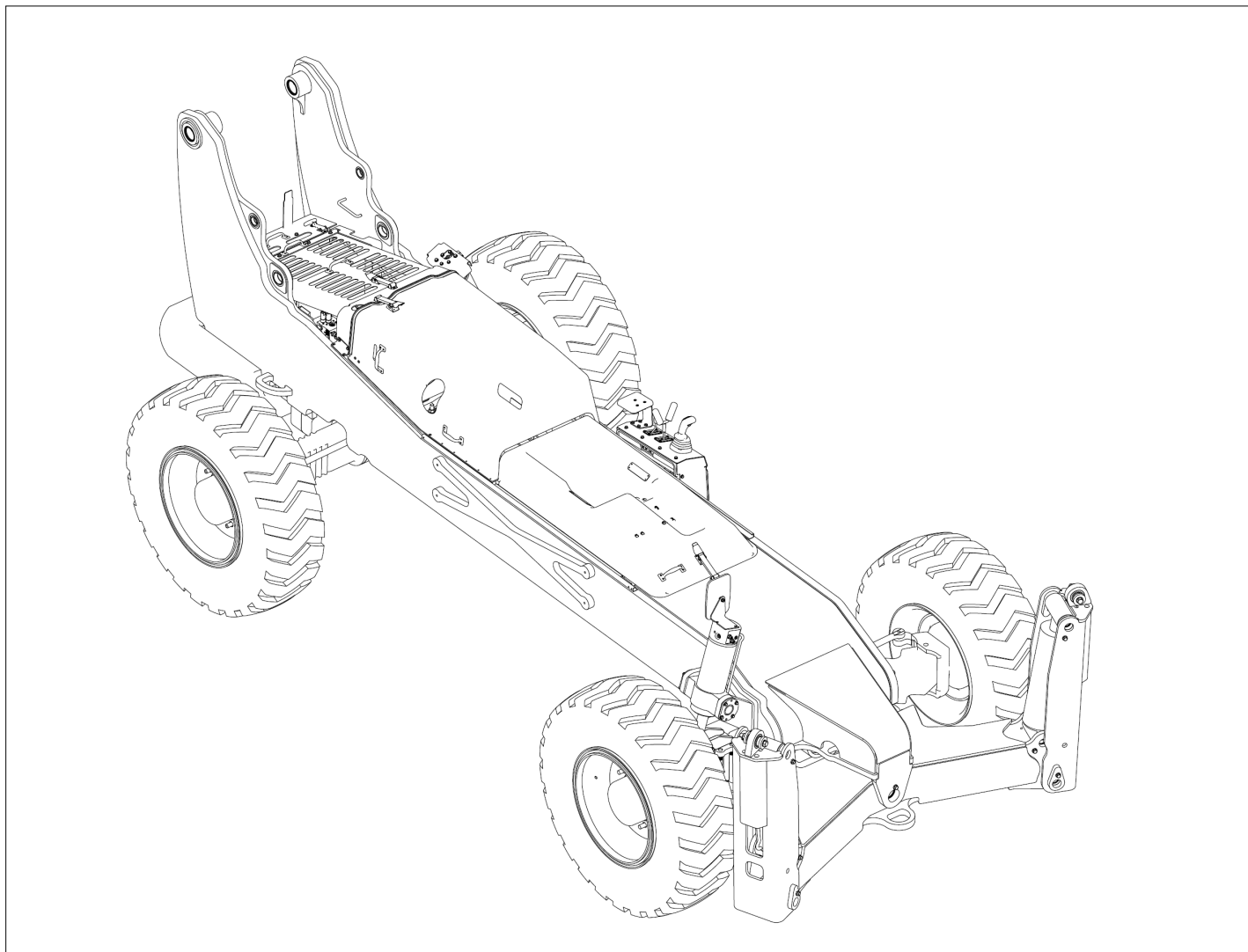
CLICK HERE TO **DOWNLOAD** THE COMPLETE MANUAL

Item	Part No.	Name	Qty	Uom
REF	26687-003	CHASSIS ASSEMBLY – ENGINE	1	EA
1	26686-001	CHASSIS ASSEMBLY AR AXLES	1	EA
2	25857-002	ENGINE / TRANSMISSION ASSEMBLY	1	EA
3	12353-000	ISOLATOR MOUNT - ENGINE/TRANS	4	EA
4	25946-000	ISOLATOR WASHER	2	EA
5	12350-000	ISOLATOR MOUNT	2	EA
6	25728-000	RADIATOR ASSEMBLY	1	EA
7	14450-000	BATTERY 12VDC GRP31	1	EA
8	14452-000	BATTERY HOLD-DOWN	1	EA
9	14451-000	BATTERY J-BOLT	2	EA
10	25868-000	RADIATOR SHROUD ASSEMBLY	1	EA
11	13051-000	BACK-UP ALARM	1	EA
12	25769-000	ACCUMULATOR ASSEMBLY	2	EA
13	25763-002	HIGH-PRESSURE FILTER / STEERING VALVE ASSEMBLY	1	EA
14	25212-004	ISOLATION MANIFOLD ASSEMBLY	1	EA
15	25214-001	DISTRIBUTION MANIFOLD ASSEMBLY	1	EA
16	26613-000	BATTERY DISCONNECT SWITCH ASSEMBLY	1	EA
17	27434-000	BRAKE CHARGE VALVE ASSEMBLY	1	EA
18	14369-000	FUEL WATER SEPARATOR	1	EA
19	14623-000	DRIVE SHAFT (FRONT)	1	EA
20	14621-000	DRIVE SHAFT REAR/1045 FRONT	1	EA
21	11003-006	WASHER 3/8 FLAT FENDER	2	EA
22	FLW062508CZ	WASHER FLAT .625 GR8 C	8	EA
23	HH1011P08CZ064	HHCS .625-11 P GR8 C 4.000	4	EA

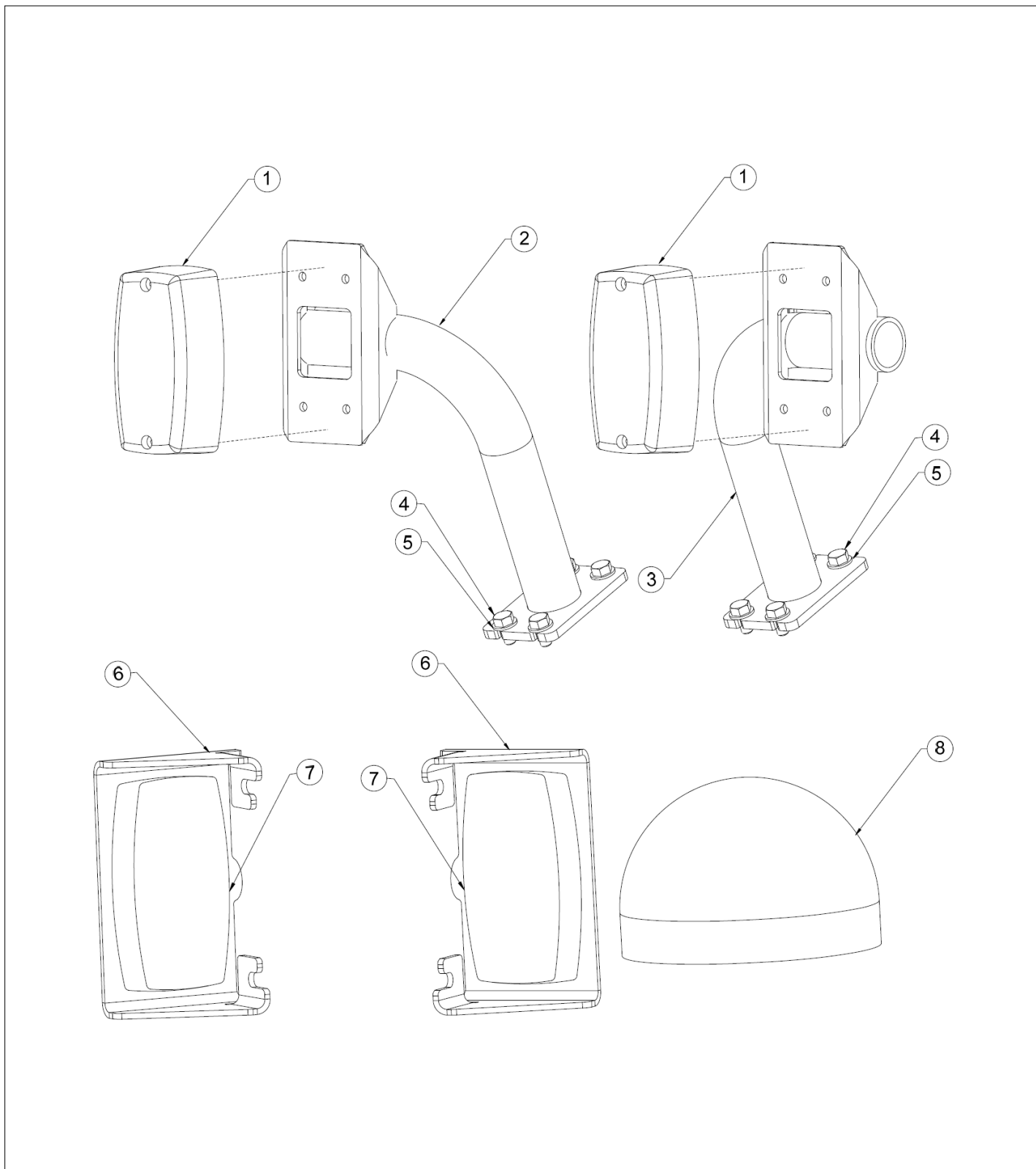
Item	Part No.	Name	Qty	Uom
24	10900-010	NUT 5/8-11UNC REG HEX	4	EA
25	FLW037508CZ	WASHER FLAT .375 GR8 C	29	EA
26	972479	BLT HEXHD .375-16 1.25 GR5	10	EA
27	10900-006	NUT 3/8-16UNC REG HEX	8	EA
28	10002-012	SCREW 3/8-16 UNC HHC X 1-1/2	2	EA
29	FLW0010STCZ	WASHER FLAT #10 STL C	12	EA
30	10303-006	SCREW #10-24UNC SBHC X 3/4	4	EA
31	NL1024STCZ	NUT HEX NL 10-24 STL C	6	EA
32	FLW031308CZ	WASHER FLAT .313 GR8 C	8	EA
33	HH0518F08CZ012	HHCS .313-18 F GR8 C .750	4	EA
34	HH0616F08CZ016	HHCS .375-16 F GR8 C 1.000	7	EA
35	HH0624F08CZ020	HHCS .375-24 F GR8 C 1.250	4	EA
36	HH0518F08CZ016	HHCS .313-18 F GR8 C 1.000	4	EA
37	FLW025008CZ	WASHER FLAT .250 GR8 C	11	EA
38	10120-006	SCREW 1/4-20UNC SBHC X 3/4	3	EA
39	HH0420F08CZ012	HHCS .250-20 F GR8 C .750	4	EA
40	HN042008CZ	NUT HEX .250-20 GR8 C	4	EA
41	10253-006	SCREW #10-24UNC PHM X 3/4	2	EA
42	FLW037508CZ	WASHER FLAT .375 GR8 C	2	EA
43	FLW031308CZ	WASHER FLAT .313 GR8 C	2	EA
44	10021-024	SCREW 5/16-24UNF HHC X 3	2	EA

Item	Part No.	Name	Qty	Uom
27	26079-000	PUMP SHIELD	1	EA
28	26053-000	FRONT COVER STRUT MT RH	1	EA
29	26053-001	FRONT COVER STRUT MT, LH	1	EA
30	25958-000	HOSE SUPPORT	1	EA
31	26096-000	HOSE SUPPORT	1	EA
32	26364-000	PLATE (FAN PROTECTION)	1	EA
33	29363-000	SWAY CYLINDER ASSEMBLY- FRONT	1	EA
34	29364-000	SWAY CYLINDER ASSEMBLY - REAR	1	EA
35	26757-002	SIDE CONSOLE ASSEMBLY	1	EA
36	27262-000	BRACKET, MIRROR MOUNTING	1	EA
37	13425-000	MIRROR 10 X 6-1/2 RECTANGULAR	1	EA
38	11910-000	FITTING GREASE 1/8 NPT STRAIGHT	2	EA
39	11002-016	EXTRA THICK GRADE 8 SAE WASHER	12	EA
40	10029-088	SCREW 1-14UNF HHC X 11	12	EA
41	11002-012	3/4" EXTRA HEAVY GRADE 8 SAE WASHER	24	EA
42	HN121608CZ	NUT HEX .750-16 GR8 C	12	EA
43	HH1216P08CZ112	HHCS .750-16 P GR8 C 7.000	12	EA
44	11002-008	2 EXTRA HEAVY GRADE 8 SAE WASHER	3	EA
45	HH0813P08CZ032	HHCS .500-13 P GR8 C 2.000	1	EA
46	HH0813F08CZ020	HHCS .500-13 F GR8 C 1.250	2	EA
47	FLW100008CZ	WASHER FLAT 1.000 GR8 C	16	EA
48	HH1608P08CZ080	HHCS 1.000-8 P GR8 C 5.000	8	EA
49	HN160808CZ	NUT HEX 1.000-8 GR8 C	8	EA
50	FLW031308CZ	WASHER FLAT .313 GR8 C	16	EA
51	HH0518F08CZ010	HHCS .313-18 F GR8 C .625	16	EA

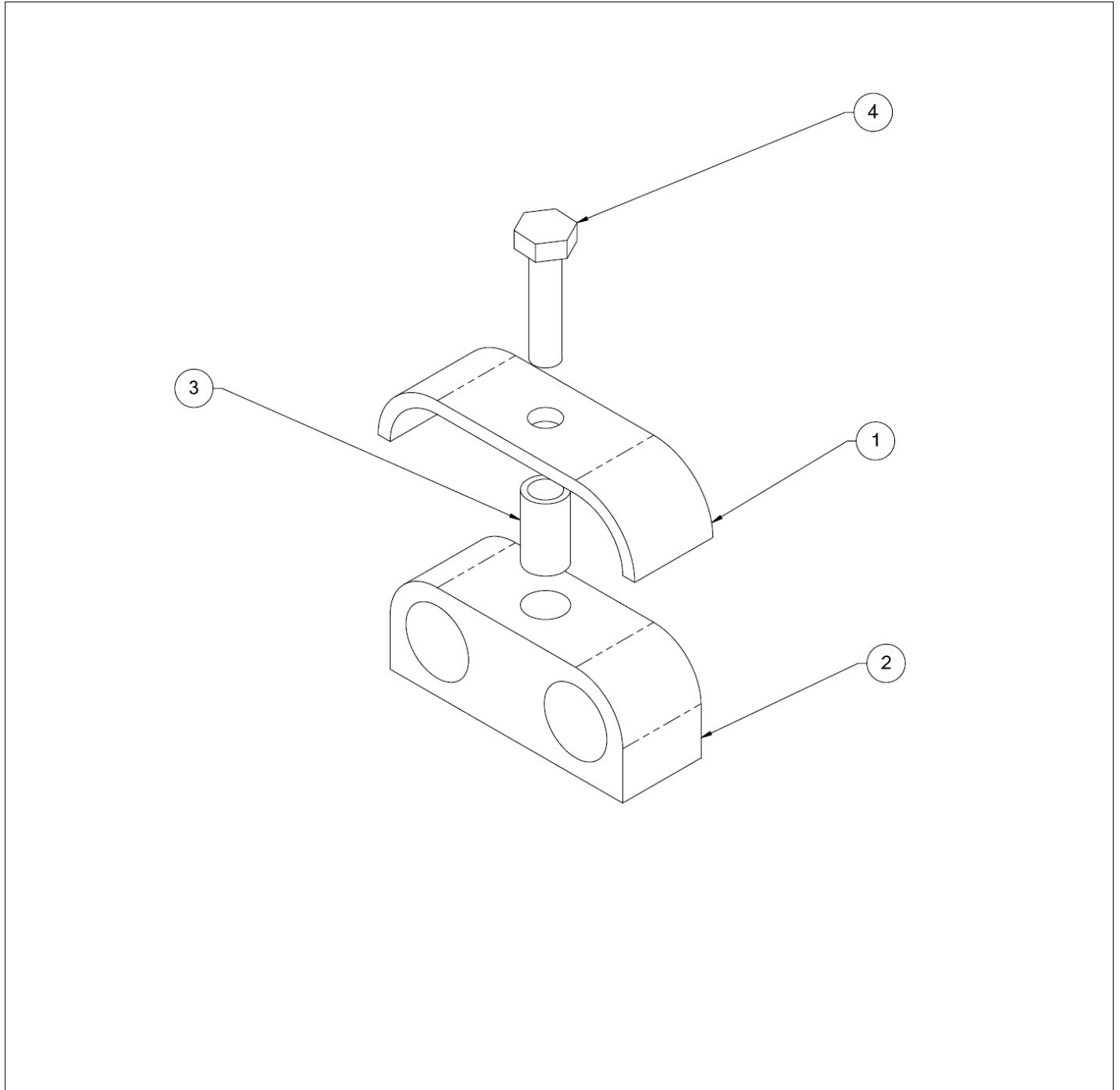
CHASSIS



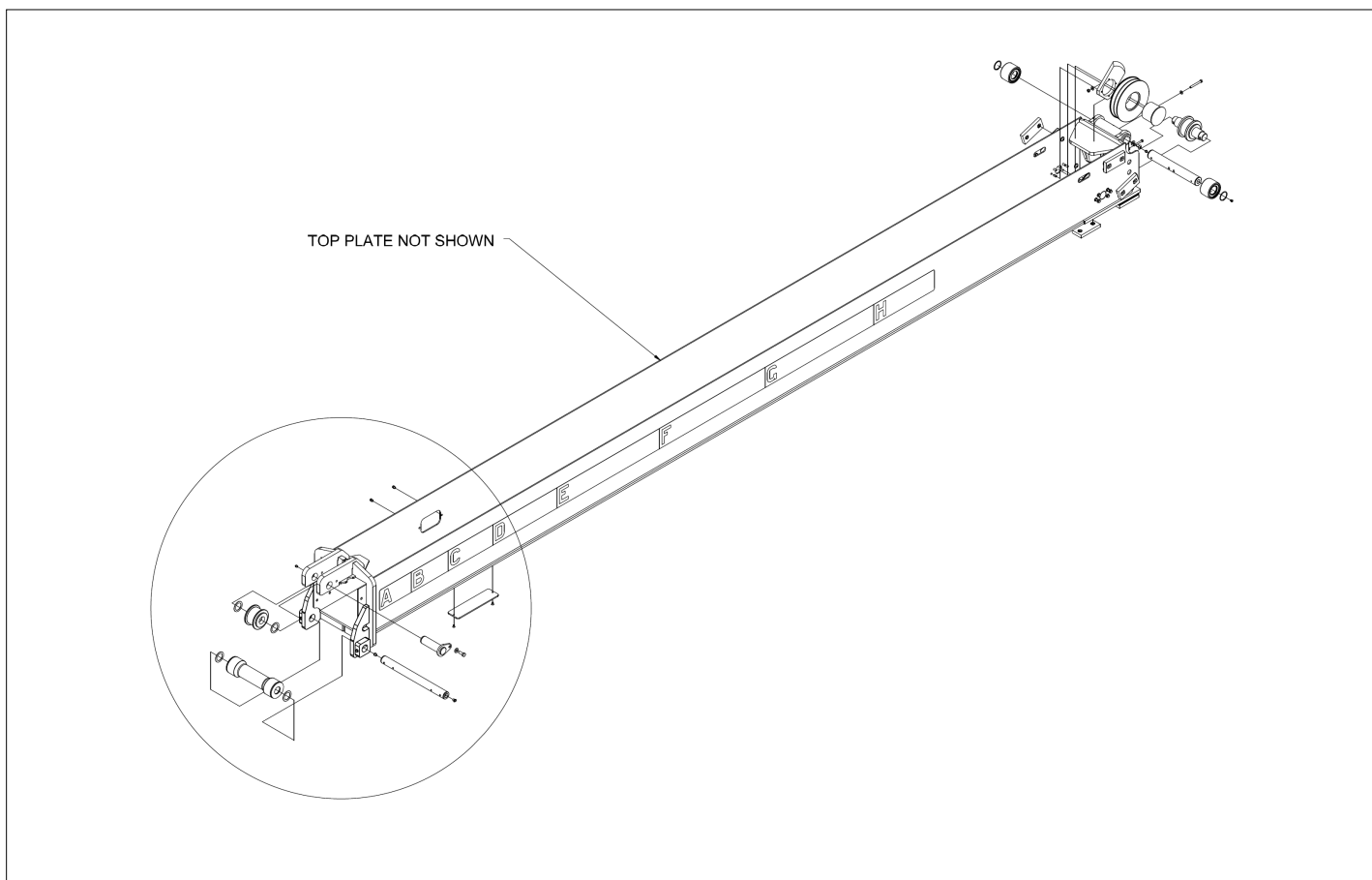
CHASSIS



BOOM

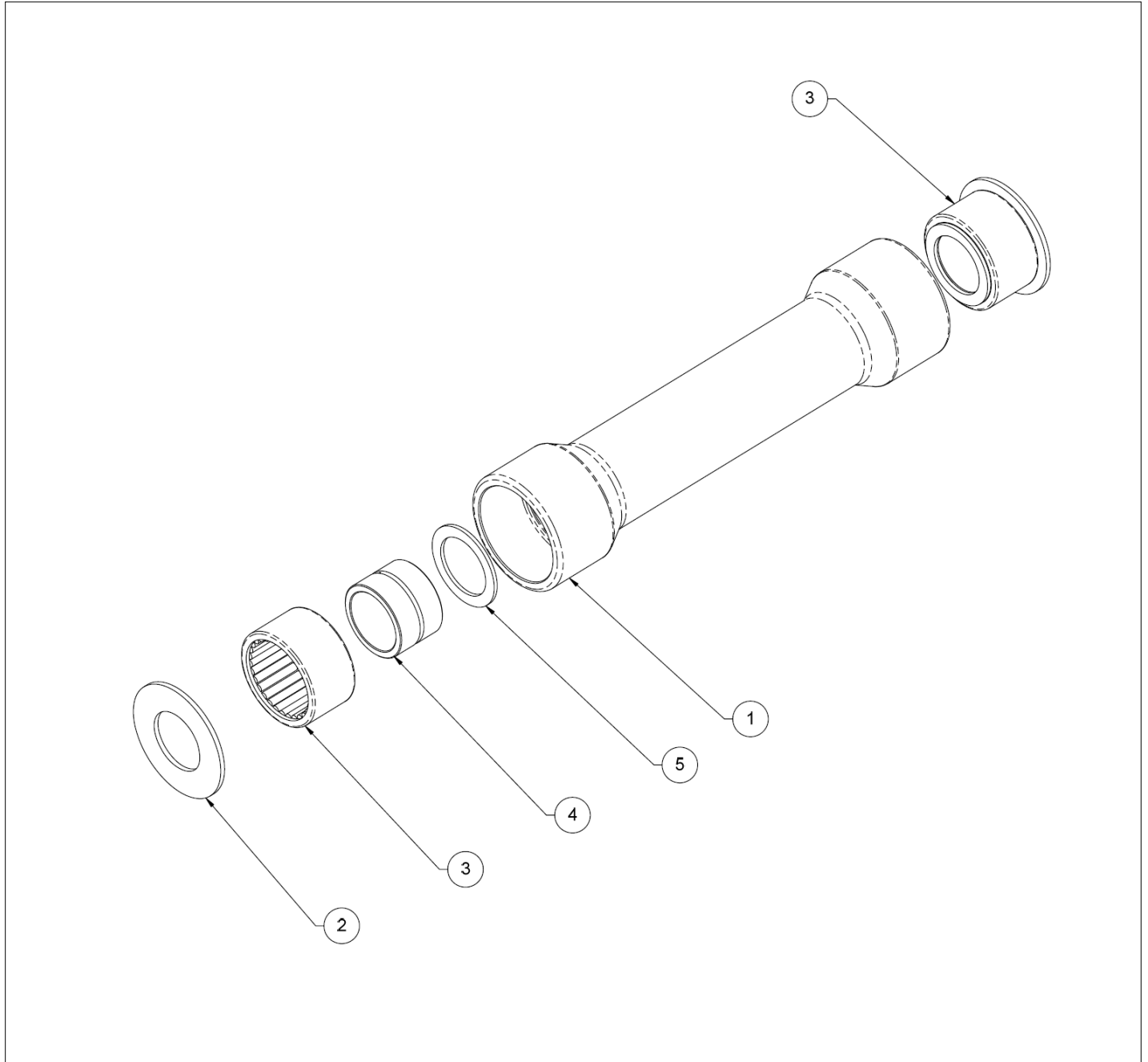


BOOM

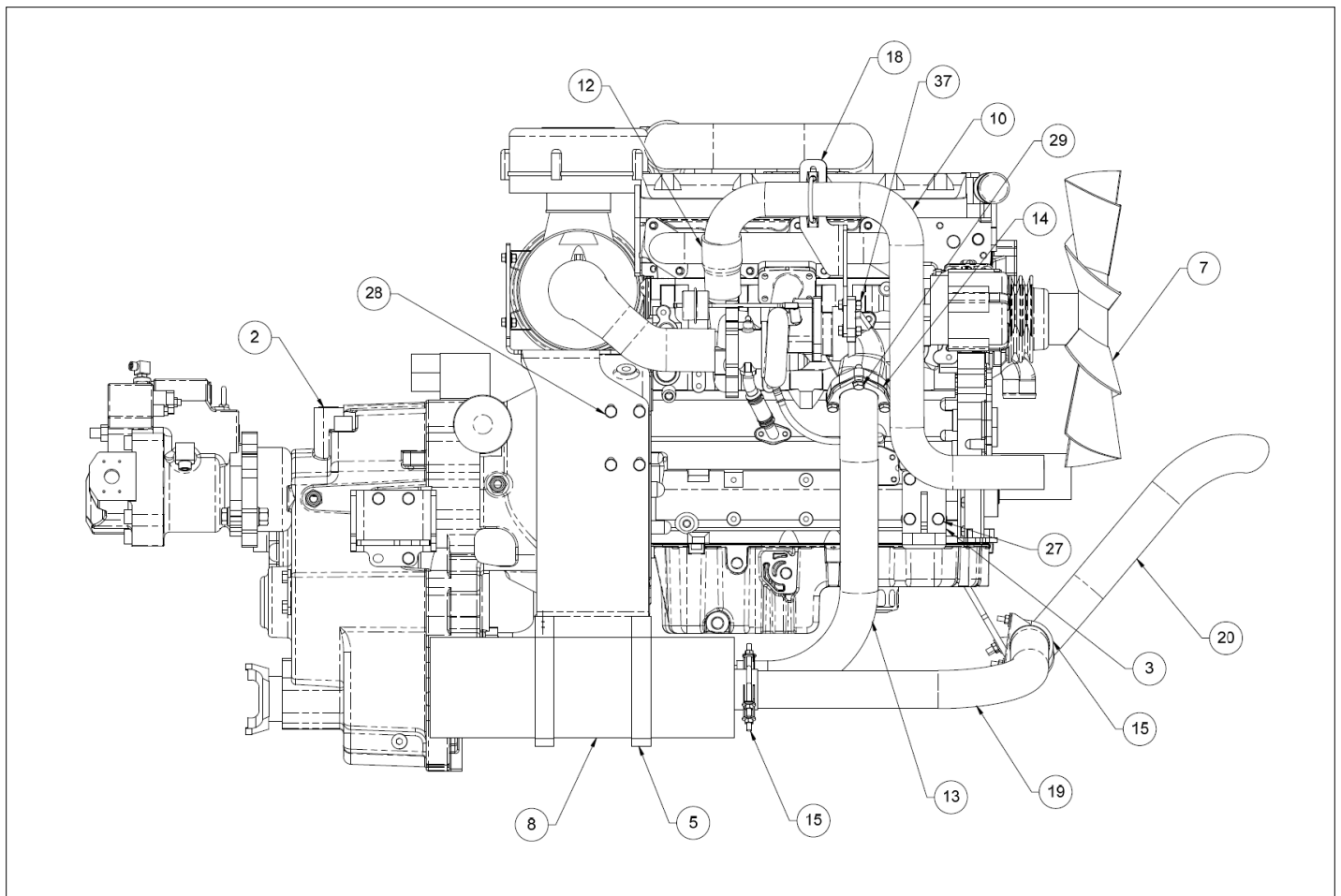


Item	Part No.	Name	Qty	Uom
REF	26664-000	MID BOOM ASSEMBLY	AR	EA
1	26665-000	1154 MID BOOM WELDMENT	1	EA
2	25270-000	HOSE GUIDE	2	EA
3	25284-000	HOSE SHEAVE	2	EA
4	25282-000	SHEAVE HUB	2	EA
5	25116-000	CHAIN SHEAVE ASSEMBLY	1	EA
6	25115-000	SHEAVE PIN WELDMENT	1	EA
7	25114-000	CHAIN SHEAVE ASSEMBLY	1	EA
8	13751-017	MACHINERY BUSHING 2-1/2 X 1-3/4	4	EA
9	25289-000	SLIDE BLOCK SHIM	8	EA
10	25283-000	SLIDE BLOCK SHIM	2	EA
11	25288-000	SLIDE BLOCK SPACER	2	EA
12	25122-000	SLIDE BLOCK ASSEMBLY	6	EA
13	10928-008	NUTSERT 1/4-20UNC X .260	2	EA
14	26009-000	ROLLER PIN	1	EA
15	25839-000	MID ROLLER ASSEMBLY	1	EA
16	26074-000	ROLLER PIN	1	EA
17	25865-000	ROLLER ASSEMBLY	2	EA
18	11402-200	RETAINING RING EXT SPIRAL 2 DIA	2	EA
19	11910-000	FITTING GREASE 1/8 NPT STRAIGHT	3	EA
20	11913-000	FITTING GREASE 1/4NPT STRAIGHT	2	EA
21	26068-000	MID BOOM COVER PLATE	1	EA
22	11002-008	2 EXTRA HEAVY GRADE 8 SAE WASHER	1	EA
23	FLW031308CZ	WASHER FLAT .313 GR8 C	6	EA
24	HH0518P08CZ040	HHCS .313-18 P GR8 C 2.500	2	EA
25	FLW050008CZ	WASHER FLAT .500 GR8 C	12	EA

BOOM



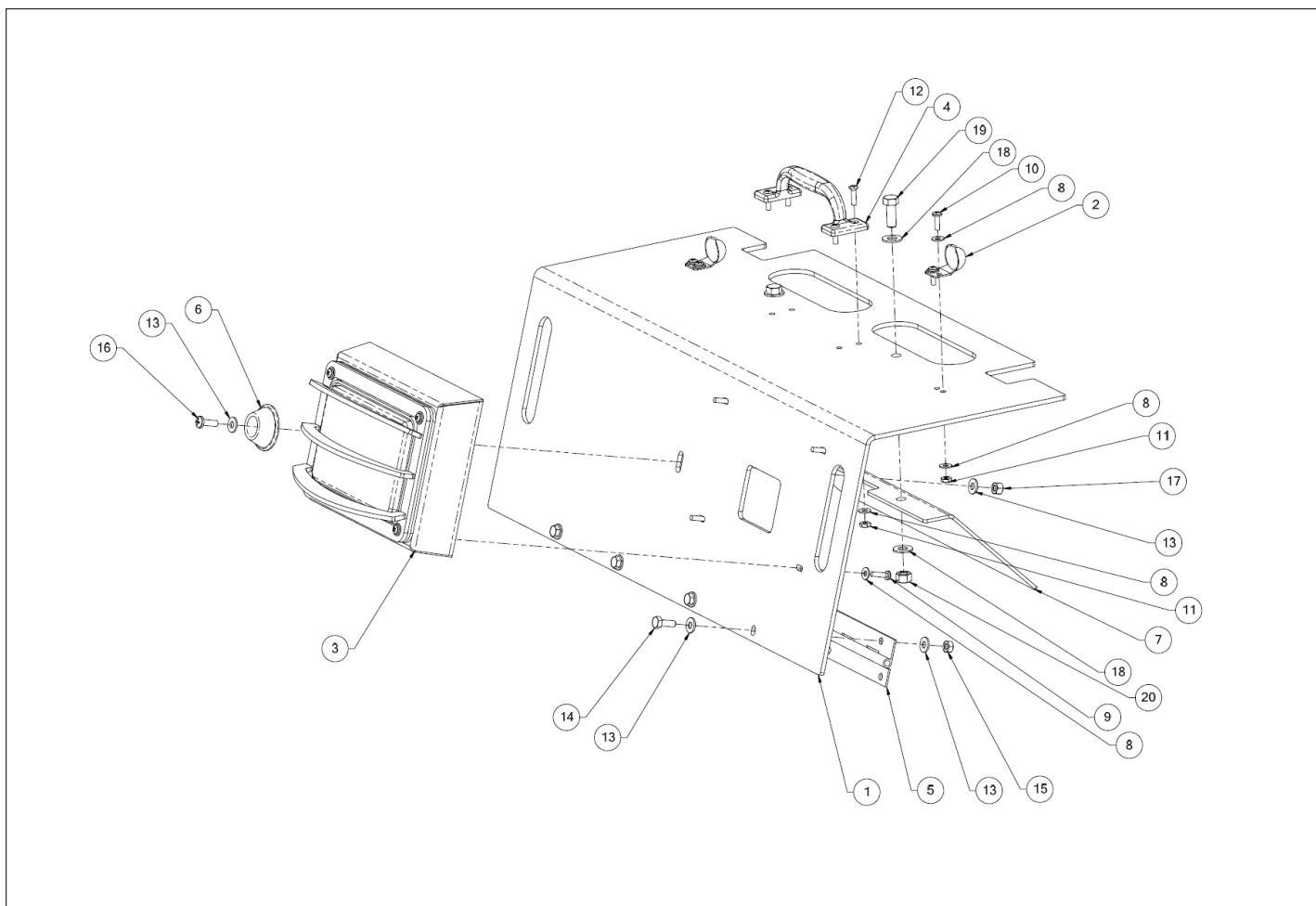
ENGINE



Item	Part No.	Name	Qty	Uom
REF	25727-000	AIR CLEANER ASSEMBLY	AR	EA
REF	14362-010	AIR FILTER, PRIMARY	1	EA
REF	14362-011	AIR FILTER, SECONDARY	1	EA
1	14362-000	AIR CLEANER	1	EA
2	11370-000	CLAMP MOUNT 8" DIA	2	EA
3	14363-000	AIR PRE-CLEANER	1	EA
4	14364-000	ADAPTER SLEEVE	1	EA
5	25539-000	AIR CLEANER BRACKET	1	EA
6	FLW031308CZ	WASHER FLAT .313 GR8 C	8	EA
7	HH0518F08CZ012	HHCS .313-18 F GR8 C .750	4	EA
8	HN051808CZ	NUT HEX .313-18 GR8 C	4	EA

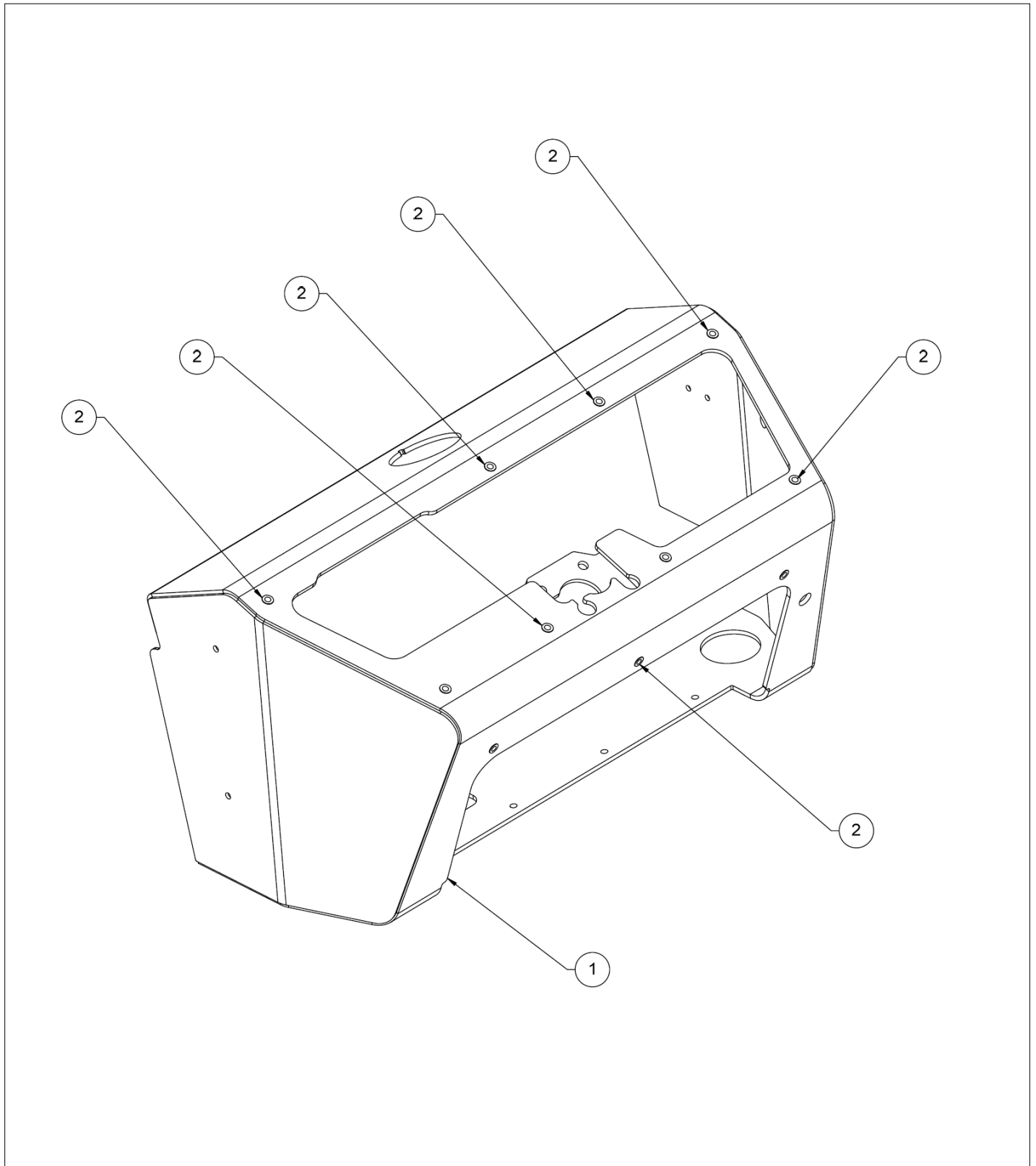
Item	Part No.	Name	Qty	Uom
REF	27409-001	CAB ASSEMBLY	AR	EA
1	27405-000	CAB WELDMENT (OPEN)	1	EA
2	25859-000	FRONT CONTROL CONSOLE ASSEMBLY	1	EA
3	25738-000	FUEL TANK ASSEMBLY	1	EA
4	25215-000	BRAKE VALVE ASSY	1	EA
5	25779-000	ACCELERATOR PEDAL ASSEMBLY	1	EA
6	14666-000	SEAT ASSY MSG85721-1137721	1	EA
7	25646-000	SPLASH GUARD	2	EA
8	25983-001	FUEL SENDER COVER NC GRY	1	EA
9	25981-001	FILLER PLATE NC	1	EA
10	13408-000	FLOOD LIGHT	2	EA
11	12300-000	HOLE GROMMET 1-5/16" ID	1	EA
12	13300-000	MANUAL CASE-LARGE CUSTOM PAK*	1	EA
13	14659-000	INDICATOR SIDE SLOPE	1	EA
14	13428-000	MIRROR ARM	1	EA
15	13427-000	MIRROR (8 X 5 CONVEX)	1	EA
16	25572-001	MIRROR BRACKET GRY	1	EA
17	13426-000	MIRROR 10" X 6-1/2"	1	EA
18	26604-001	TOOL BOX ASSEMBLY (NOT SHOWN)	1	EA
19	FLW031308CZ	WASHER FLAT .313 GR8 C	40	EA
20	HH0518F08CZ012	HHCS .313-18 F GR8 C .750	25	EA
21	FLW037508CZ	WASHER FLAT .375 GR8 C	8	EA
22	972479	BLT HEXHD .375-16 1.25 GR5	4	EA
23	10900-006	NUT 3/8-16UNC REG HEX	8	EA
24	HH0518F08CZ016	HHCS .313-18 F GR8 C 1.000	7	EA
25	HH0518F08CZ010	HHCS .313-18 F GR8 C .625	8	EA

CAB and COVERS

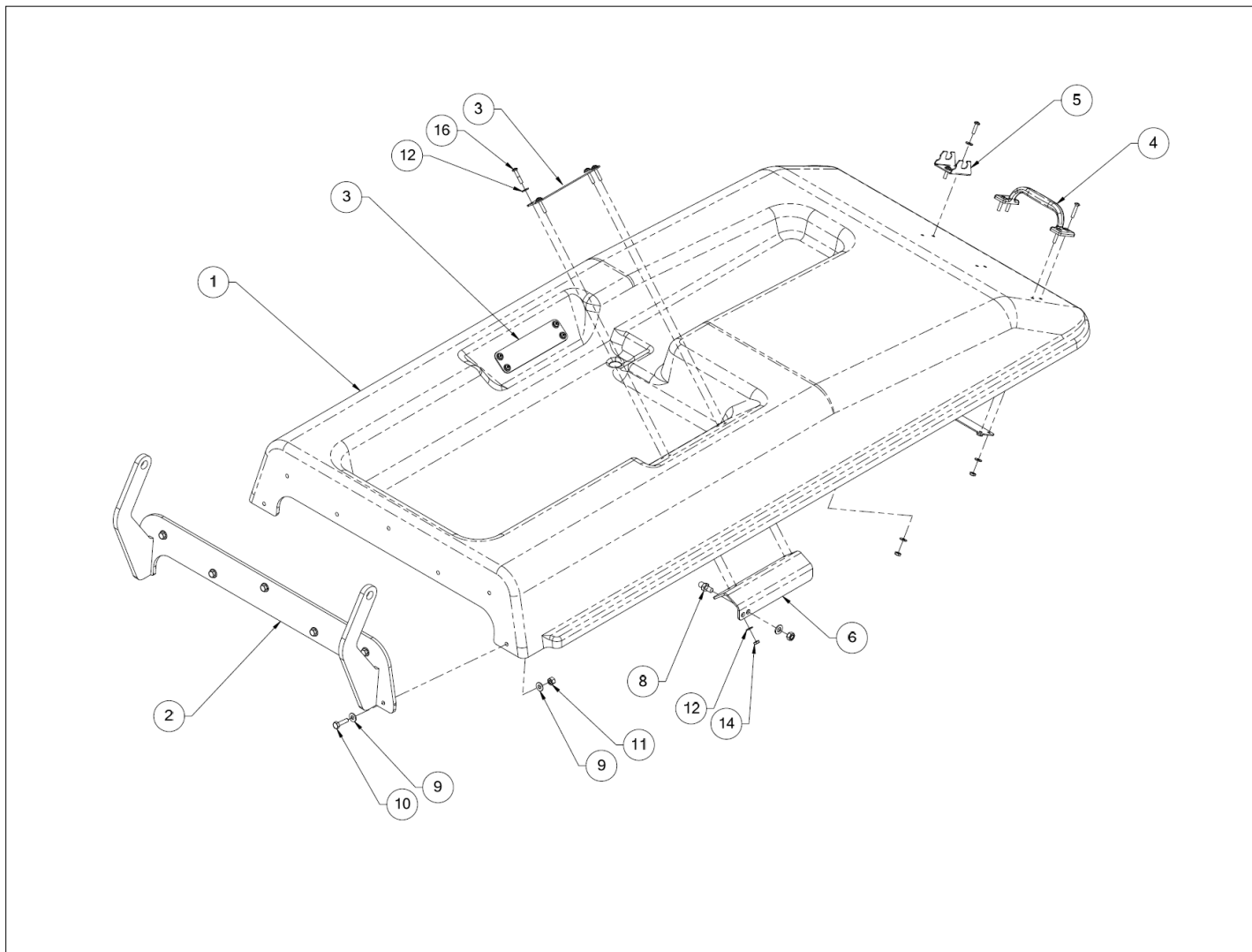


Item	Part No.	Name	Qty	Uom
27	27406-097	ROUND LOUVER	2	EA
28	27406-067	SEAL 3/16" X 1/2"	1	EA
29	27406-098	CONNECTOR, 45MM DUCTING	2	EA
30	27406-007	PLENUM, HEATER	1	EA
31	27406-085	BOLT, 10-32 3/8"	18	EA
32	27406-078	BOLT, M6-1.0 PITCH 16MM	1	EA
33	27406-083	BOLT, 1/4-20, 5/8"	9	EA
34	27406-110	WASHER 1/4-20	9	EA
35	27406-084	BOLT, 1/4-20, 1/2"	20	EA

CAB and COVERS



CAB and COVERS



CLICK HERE TO **DOWNLOAD** THE COMPLETE MANUAL

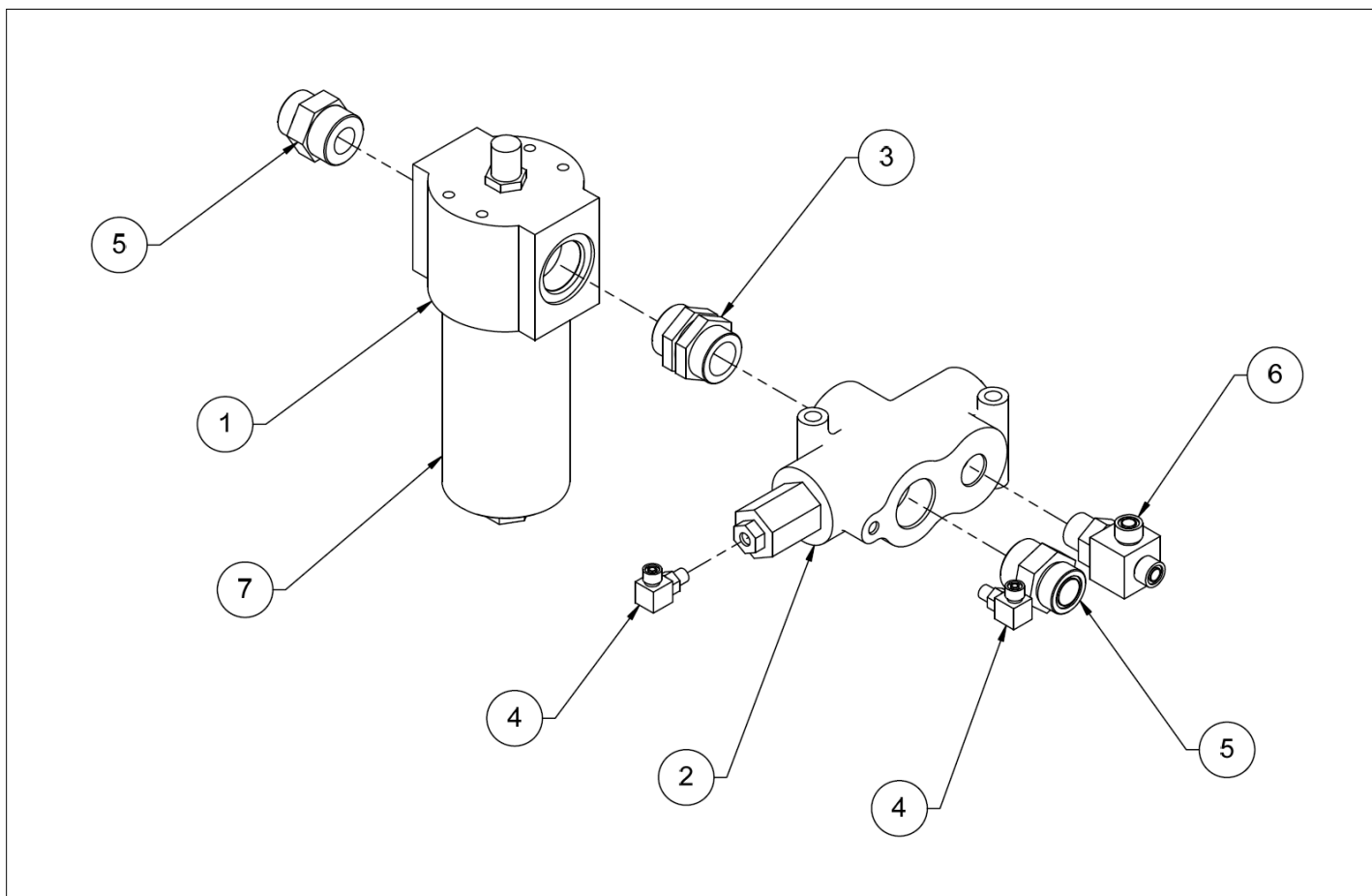
- Thank you very much for reading the preview of the manual.
- You can download the complete manual from: www.heydownloads.com by clicking the link below



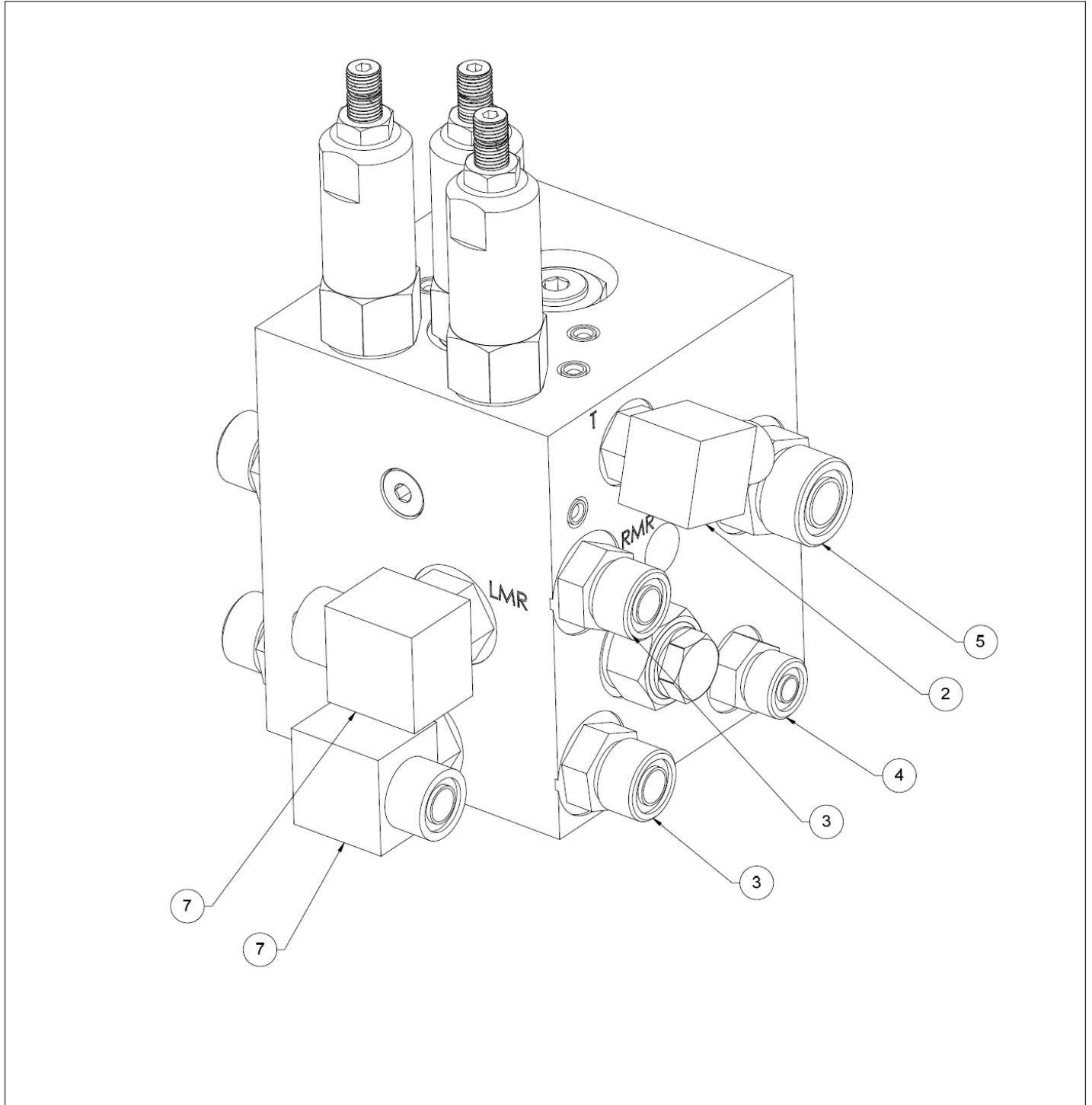
- Please note: If there is no response to CLICKING the link, please download this PDF first and then click on it.

CLICK HERE TO **DOWNLOAD** THE COMPLETE MANUAL

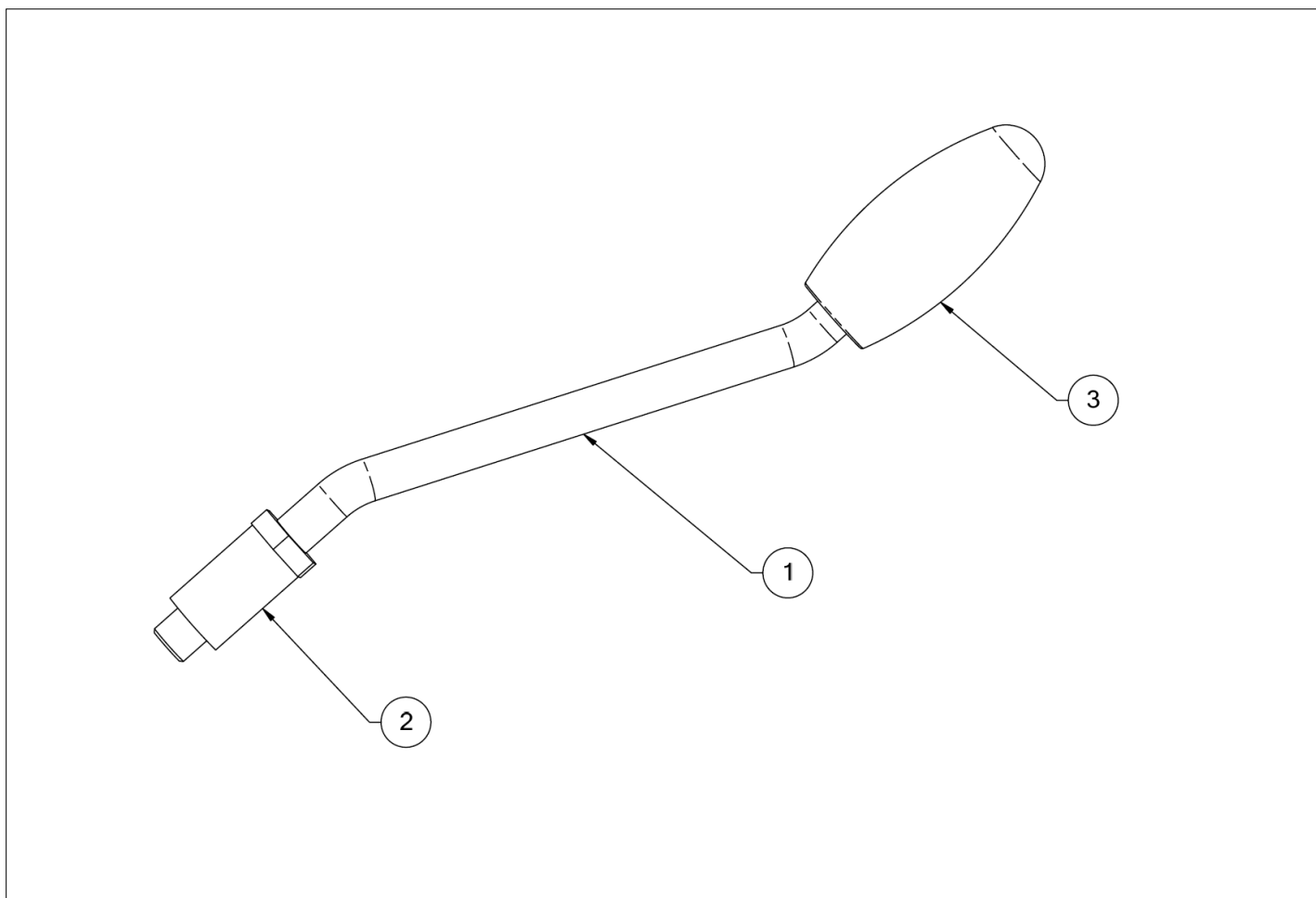
HYDRAULIC SYSTEM



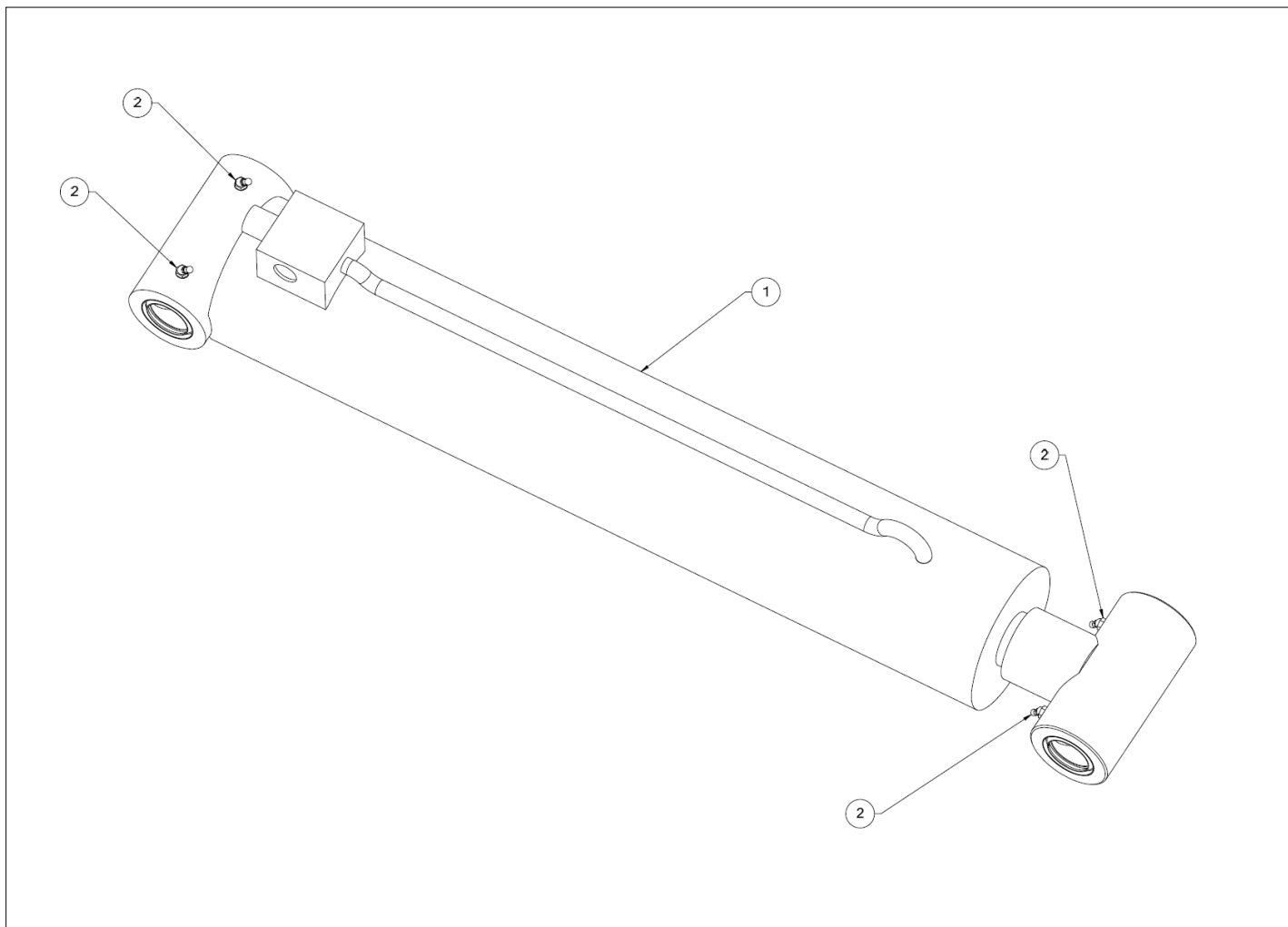
HYDRAULIC SYSTEM



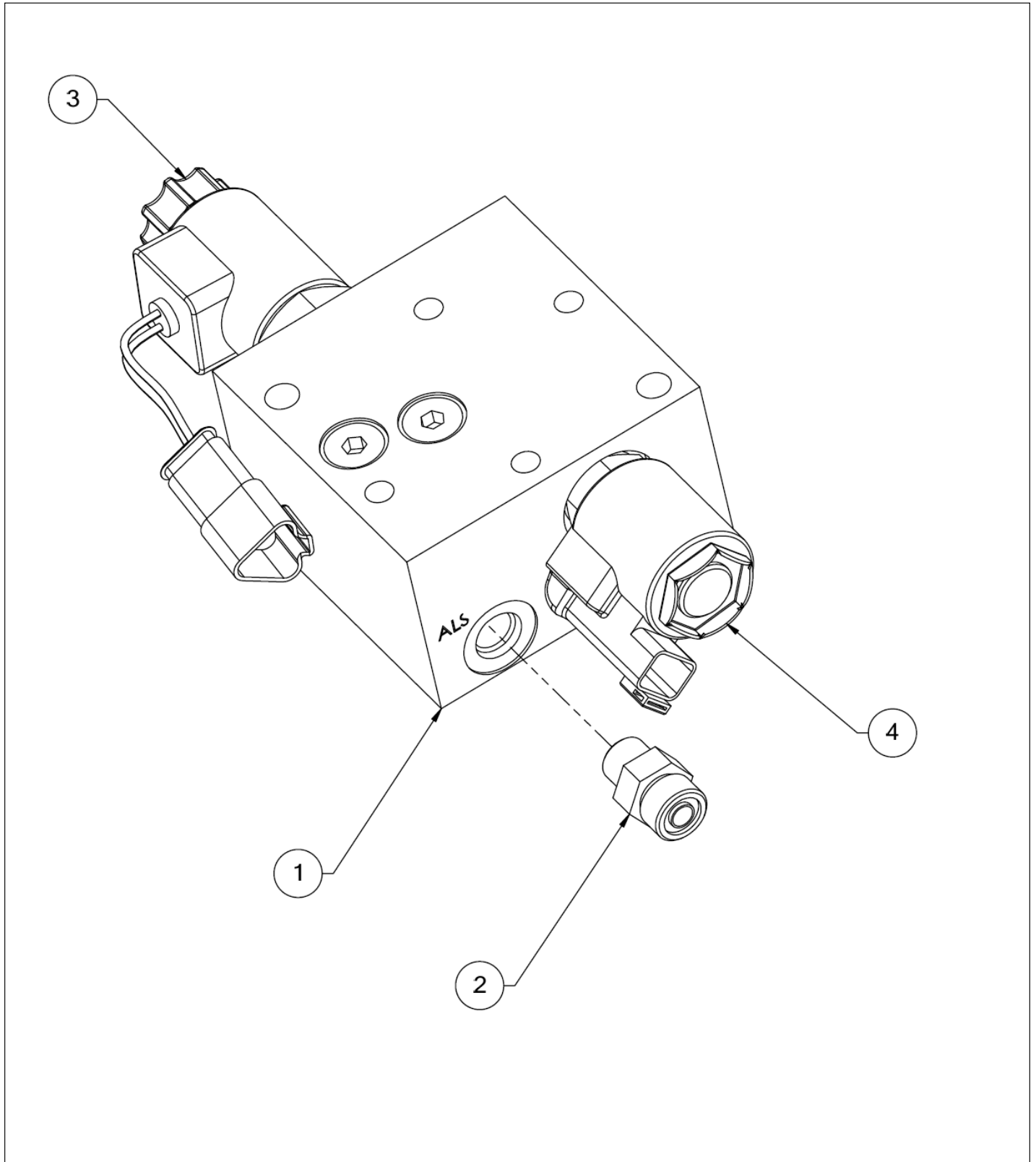
HYDRAULIC SYSTEM



HYDRAULIC SYSTEM



HYDRAULIC SYSTEM



Item	Part No.	Name	Qty	Uom
27	12008-082	FORK TILT FTD- RIGHT CYLINDER	1	EA
28	12008-082	FORK TILT FTD- RIGHT CYLINDER	1	EA
29	12008-135	OR2A OR2B TO LEFT OUTRIGGER CYLINDER	1	EA
30	12008-135	OR2A OR2B TO LEFT OUTRIGGER CYLINDER	1	EA
31	12008-135	OR2A OR2B TO LEFT OUTRIGGER CYLINDER	1	EA
32	12008-135	OR2A OR2B TO LEFT OUTRIGGER CYLINDER	1	EA
33	12010-019	CHARGE VALVE P - PRIORITY CF	1	EA
34	12010-063	STEER P - DIVIDER	1	EA
35	12010-046	FRONT STR. (FSB-R CYL.)	1	EA
36	12010-101	REAR STEERING (RSB)	1	EA
37	12010-129	BOOM LOWER (A TO BA)	1	EA
38	12010-130	FORK TILT B TO FTB	1	EA
39	12010-130	FORK TILT B TO FTB	1	EA
40	12010-207	TELE RETRACT-HAWE A	1	EA
41	12011-051	STEER RETURN-T3	1	EA
42	12011-080	FRONT STR. (ST.VLV-L CYL.)	1	EA
43	12011-103	REAR STEERING (RSA)	1	EA
44	12014-208	TELE EXTEND-HAWE B	1	EA
45	12018-065	CONTROL VALVE P-P2	1	EA
46	12018-130	BOOM LIFT B-BB	1	EA
47	12022-014	VALVE BLOCK P1-DIVIDER EF	1	EA
48	16053-035	PUMP -H.P FILTER	1	EA
49	12027-018	SUCTION	1	EA
50	12029-050	COOLER TOP TO TRANSMISSION	1	EA

Item	Part No.	Name	Qty	Uom
27	11001-001	WASHER #6 SAE FLAT	2	EA
28	10908-001	NUT #6-32UNC HEX LOCK	2	EA

Item	Part No.	Name	Qty	Uom
REF	25445-000	ENGINE RELAY ASSEMBLY	AR	EA
1	25957-000	RELAY BRACKET	1	EA
2	13118-000	RELAY 12V50A OMRON 17325003001	2	EA
3	13003-001	50 AMP MAXI FUSE	1	EA

Item	Part No.	Name	Qty	Uom
REF	25215-000	BRAKE VALVE ASSY	AR	EA
1	25219-001-SP	MICO BRAKE PEDAL ASSY 842	1	EA
2	13154-000	PRESSURE SWITCH SPDT	1	EA
3	26057-000	FITTING-ELBOW MODIFIED	1	EA
4	512978-000	O-RING FACE SEAL ELBOW FF6801-04-06	1	EA
5	11702-006	FITTING ELBOW 90 -06MBA- 06MFS	3	EA
6	11707-004	FITTING TEE -6MFS-6MBA-6MFS	1	EA

Item	Part No.	Name	Qty	Uom
REF	25794-001	TRANSMISSION AND PUMP ASSEMBLY	AR	EA
REF	14108-010	TRANSMISSION FILTER	1	EA
1	14108-000	TRANSMISSION	1	EA
2	14003-000	HYDRAULIC PUMP ASSEMBLY	1	EA
3	27088-000	TRANSMISSION MOUNT WELDMENT	1	EA
4	27089-000	TRANSMISSION MOUNT WELDMENT	1	EA
5	27154-000	TRANSMISSION MOUNT SPACER	1	EA
6	27185-000-SP	DIPSTICK TUBE ASSY	1	EA
7	11700-019	FITTING STRAIGHT 10MFS-10MB	2	EA
8	11702-001	FITTING ELBOW 90 -04MBA-04MFS	1	EA
9	11702-011	FITTING, ELBOW 90 -08MBA-08MFS	1	EA
10	11698-006	PLUG EXT HEX HD -08MB	1	EA
11	11015-012	WASHER M12 FLAT METRIC	6	EA
12	HH1217F10CZ035	HHCS M12X1.75 F 10.9 C 35	3	EA
13	HH1217F10CZ030	HHCS M12X1.75 F 10.9 C 30	3	EA
14	11015-014	WASHER M16 FLAT METRIC	4	EA
15	10408-060	SCREW M16 X 2.0 HHC X 60MM	2	EA
16	10940-014	NUT M16 REG HEX METRIC	2	EA
17	11015-010	WASHER M8 FLAT METRIC	2	EA
18	10404-040	SCREW M8 X 1.25 HHC X 40MM	2	EA

Item	Part No.	Name	Qty	Uom
REF	14623-000	DRIVE SHAFT (FRONT)	AR	EA
1	14602-010	CROSS AND BEARING KIT	2	EA
2	14602-011	SLIP YOKE	1	EA
3	14602-012	SCREW HHC	8	EA

Item	Part No.	Name	Qty	Uom
51	18307-001	WARNING FALLING HAZARD	2	EA
52	18306-001	DANGER CRUSHING HAZARD	2	EA
53	18306-000	DANGER CRUSHING HAZARD	4	EA
54	17250-000	LOAD CHART, STANDARD CARRIAGE OR UP	1	EA
55	17251-000	LOAD CHART, STANDARD CARRIAGE OR DOWN	1	EA

Item	Part No.	Name	Qty	Uom
1	18008-000	DATA PLATE	1	EA
2	18001-002	Dash overlay	1	EA
3	18010-001	CAUTION, SLIP/TRIP HAZARD	1	EA
4	18011-001	CAUTION, ENGINE DAMAGE HAZARD	1	EA
5	18013-001	DIESEL ONLY	1	EA
6	18014-001	CHECK ENGINE OIL	1	EA
7	18015-001	CHECK/FILL COOLANT	1	EA
8	18016-001	CAUTION, BURN HAZARD	1	EA
9	18017-001	DANGER, CRUSHING HAZARD	2	EA
10	18018-001	DANGER, ELECTROCUTION HAZARD	8	EA
11	18018-002	DANGER, ELECTROCUTION HAZARD	1	EA
12	18019-001	DANGER, CRUSHING HAZARD	3	EA
13	18020-001	WARNING, TIP-OVER HAZARD	1	EA
14	18021-001	DANGER, CRUSHING HAZARD	1	EA
15	18022-001	WARNING, TIP OVER HAZARD	1	EA
16	18023-001	WARNING, WELDING AND MODIFICATION HAZARD	1	EA
17	18025-001	WARNING, FALLING HAZARD	1	EA
18	18026-001	WARNING, UNRESTRAINED OPERATOR HAZARD	1	EA
19	18027-001	DANGER, ROTATING EQUIPMENT HAZARD	1	EA
20	18031-001	WARNING, SAFE OPERATION CHECKLIST	1	EA
21	18032-001	WARNING, IMPROPER USE HAZARD	1	EA
22	18033-000	CONTROL, AUXILIARY	1	EA
23	18034-000	BOOM HANDLE CONTROL	1	EA
24	18039-000	BOOM ANGLE INDICATOR	1	EA

Item	Part No.	Name	Qty	Uom
51	18307-001	WARNING FALLING HAZARD	2	EA
52	18306-001	DANGER CRUSHING HAZARD	2	EA
53	18306-000	DANGER CRUSHING HAZARD	4	EA
54	17250-000	LOAD CHART, STANDARD CARRIAGE OR UP	1	EA
55	17251-000	LOAD CHART, STANDARD CARRIAGE OR DOWN	1	EA

Item	Part No.	Name	Qty	Uom
1	18008-000	DATA PLATE	1	EA
2	18001-002	Dash overlay	1	EA
3	18010-001	CAUTION, SLIP/TRIP HAZARD	1	EA
4	18011-001	CAUTION, ENGINE DAMAGE HAZARD	1	EA
5	18013-001	DIESEL ONLY	1	EA
6	18014-001	CHECK ENGINE OIL	1	EA
7	18015-001	CHECK/FILL COOLANT	1	EA
8	18016-001	CAUTION, BURN HAZARD	1	EA
9	18017-001	DANGER, CRUSHING HAZARD	2	EA
10	18018-001	DANGER, ELECTROCUTION HAZARD	8	EA
11	18018-002	DANGER, ELECTROCUTION HAZARD	1	EA
12	18019-001	DANGER, CRUSHING HAZARD	3	EA
13	18020-001	WARNING, TIP-OVER HAZARD	1	EA
14	18021-001	DANGER, CRUSHING HAZARD	1	EA
15	18022-001	WARNING, TIP OVER HAZARD	1	EA
16	18023-001	WARNING, WELDING AND MODIFICATION HAZARD	1	EA
17	18025-001	WARNING, FALLING HAZARD	1	EA
18	18026-001	WARNING, UNRESTRAINED OPERATOR HAZARD	1	EA
19	18027-001	DANGER, ROTATING EQUIPMENT HAZARD	1	EA
20	18031-001	WARNING, SAFE OPERATION CHECKLIST	1	EA
21	18032-001	WARNING, IMPROPER USE HAZARD	1	EA
22	18033-000	CONTROL, AUXILIARY	1	EA
23	18034-000	BOOM HANDLE CONTROL	1	EA
24	18039-000	BOOM ANGLE INDICATOR	1	EA

Item	Part No.	Name	Qty	Uom
51	18307-001	WARNING FALLING HAZARD	2	EA
52	18306-001	DANGER CRUSHING HAZARD	2	EA
53	18306-000	DANGER CRUSHING HAZARD	4	EA
54	17250-000	LOAD CHART, STANDARD CARRIAGE OR UP	1	EA
55	17251-000	LOAD CHART, STANDARD CARRIAGE OR DOWN	1	EA

Item	Part No.	Name	Qty	Uom
REF	29004-010	FORK POSITIONING CARRIAGE ASSEMBLY	AR	EA
1	29040-010	CARRIAGE WELDMENT	1	EA
2	27583-002	FORK ADJUSTER WELDMENT	2	EA
3	27584-000	CYLINDER MOUNT WELDMENT	2	EA
4	27774-000	CS 5/8 GR50 ADJ CYL MOUNT*	2	EA
5	30095-000	ADJUSTABLE FORK SLIDE PAD	2	EA
6	27543-000	FORK ADJUSTING MANIFOLD ASSEMBLY	1	EA
7	29044-000	FORK ADJUSTING CYLINDER	2	EA
8	11702-001	FITTING ELBOW 90 -04MBA-04MFS	4	EA
9	11232-002	CLEVIS PIN 1.0 DIA X 2-1/4 LG	4	EA
10	25103-000	FORK MOUNTING PIN WELDMENT	1	EA
11	25389-000	SHAFT COLLAR	1	EA
12	26381-000	FORK SPACER	4	EA
13	FLW031308CZ	WASHER FLAT .313 GR8 C	10	EA
14	HN051808CZ	NUT HEX .313-18 GR8 C	8	EA
15	10155-012	SCREW 5/16-18UNC FSHC X 1-1/2	8	EA
16	FLW050008CZ	WASHER FLAT .500 GR8 C	18	EA
17	HH0813F08CZ028	HHCS .500-13 F GR8 C 1.750	16	EA
18	HH0518F08CZ012	HHCS .313-18 F GR8 C .750	2	EA
19	HH0813P08CZ064	HHCS .500-13 P GR8 C 4.000	1	EA
20	10900-008	NUT 1/2-13UNC REG HEX	1	EA

XR1255 T3 FORWARD REACH FORKLIFT PARTS
MANUAL

13410-000	1-17	13970-000	3-1, 3-2, 3-3
13425-000	1-8, 1-9, 1-10, 1-11	14003-000	8-1, 8-2
13426-000	4-1, 4-2, 4-3	14006-010	7-1
13427-000	4-1, 4-2, 4-3	14108-000	8-1, 8-2
13428-000	4-1, 4-2, 4-3	14108-010	8-1, 8-2
13503-000	3-6	14204-001	5-13, 5-14
13506-000	3-8	14204-020	5-14
13552-001	1-12, 1-13, 1-14, 4-10	14205-000	7-4
13552-002	4-5, 4-6, 4-7, 4-22, 4-23	14206-015	7-5
13556-000	4-7	14216-000	5-23
13556-002	4-8	14220-000	5-23
13558-000	4-5, 4-6, 4-7, 4-8, 4-22, 4-23	14224-001	5-11
13714-008	2-14	14237-000	5-26
13721-001	5-20	14242-000	5-4
13722-004	5-23	14244-000	5-20
13722-005	5-25	14246-000	5-26
13726-001	5-25	14255-010	5-5, 5-6, 5-7
13726-002	1-8, 1-9, 1-10, 1-11	14255-012	5-5, 5-6, 5-7
13751-017	2-9, 2-10, 2-11, 2-12	14255-013	5-5, 5-6, 5-7
13751-018	2-1, 2-2, 2-13	14255-016	5-5, 5-5, 5-6, 5-6, 5-7, 5-7
13760-001	2-18	14255-018	5-5, 5-6, 5-7
13760-002	2-17	14255-019	5-5, 5-6, 5-7
13802-000	2-18	14255-020	5-5, 5-6, 5-7
13803-000	2-18	14255-027	5-5, 5-6, 5-7
13804-009	1-8, 1-9, 1-10, 1-11, 5-3	14257-000	5-22, 5-24
13804-012	1-8, 1-9, 1-10, 1-11	14257-010	5-24
13807-000	2-17	14257-011	5-24
13808-000	2-17	14268-000	5-5, 5-6, 5-7
13908-002	6-1, 6-2, 6-3	14268-014	5-5, 5-6, 5-7
13952-009	3-1, 3-2, 3-3	14268-027	5-5, 5-6, 5-7
13952-013	3-1, 3-2, 3-3	14275-000	5-8, 5-9
13952-045	3-1, 3-2, 3-3	14286-000	10-4
13953-001	3-1, 3-2, 3-3	14286-010	10-4

CLICK HERE TO **DOWNLOAD** THE COMPLETE MANUAL

- Thank you very much for reading the preview of the manual.
- You can download the complete manual from: www.heydownloads.com by clicking the link below



- Please note: If there is no response to CLICKING the link, please download this PDF first and then click on it.

CLICK HERE TO **DOWNLOAD** THE COMPLETE MANUAL