



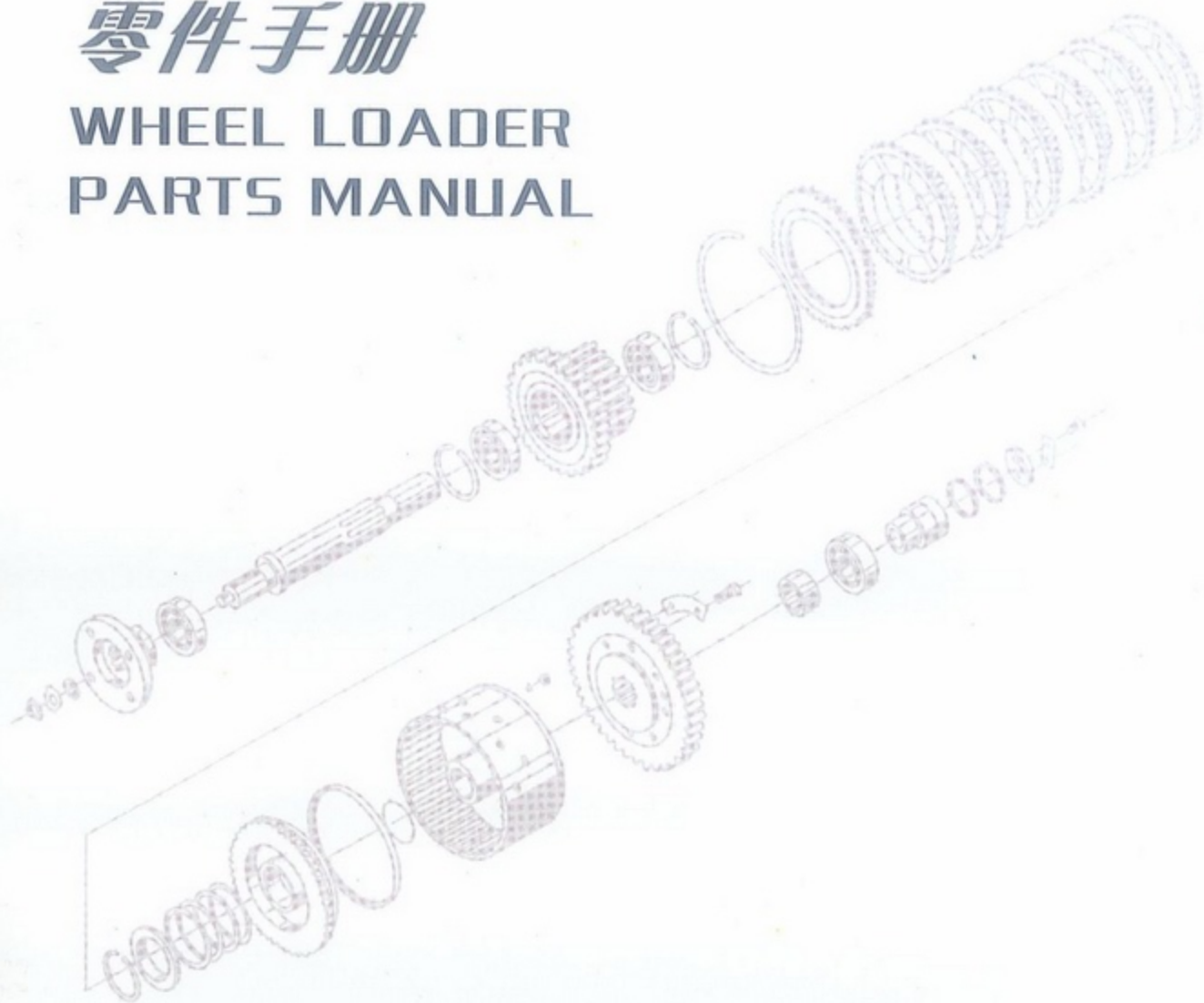
**徐工集团**

# LW300F

轮式装载机

## 零件手册

WHEEL LOADER  
PARTS MANUAL



**徐工集团工程机械股份有限公司**  
XCMG CONSTRUCTION MACHINERY CO., LTD.

CLICK HERE TO **DOWNLOAD** THE COMPLETE MANUAL

- Thank you very much for reading the preview of the manual.
- You can download the complete manual from: [www.heydownloads.com](http://www.heydownloads.com) by clicking the link below

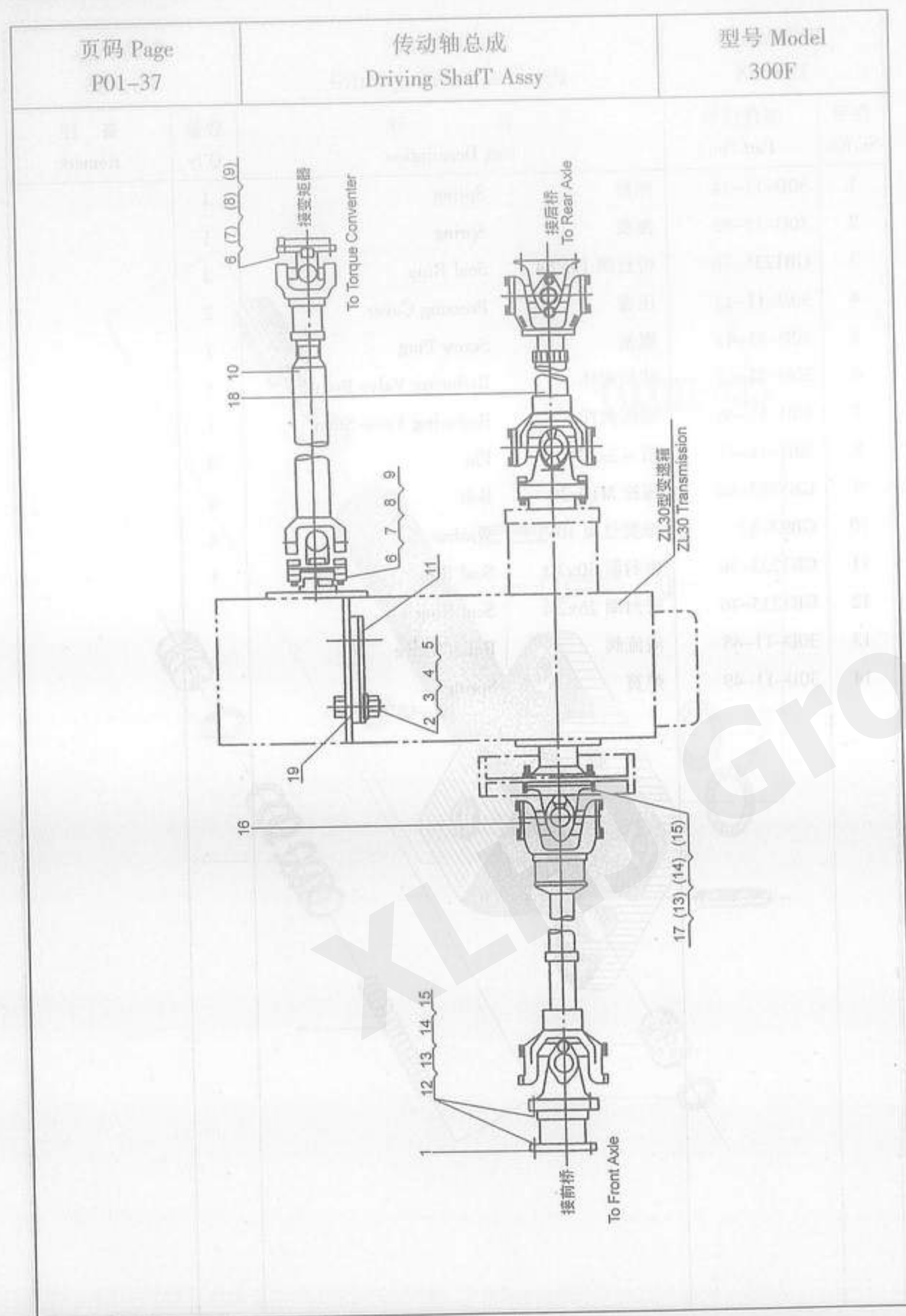


- Please note: If there is no response to CLICKING the link, please download this PDF first and then click on it.

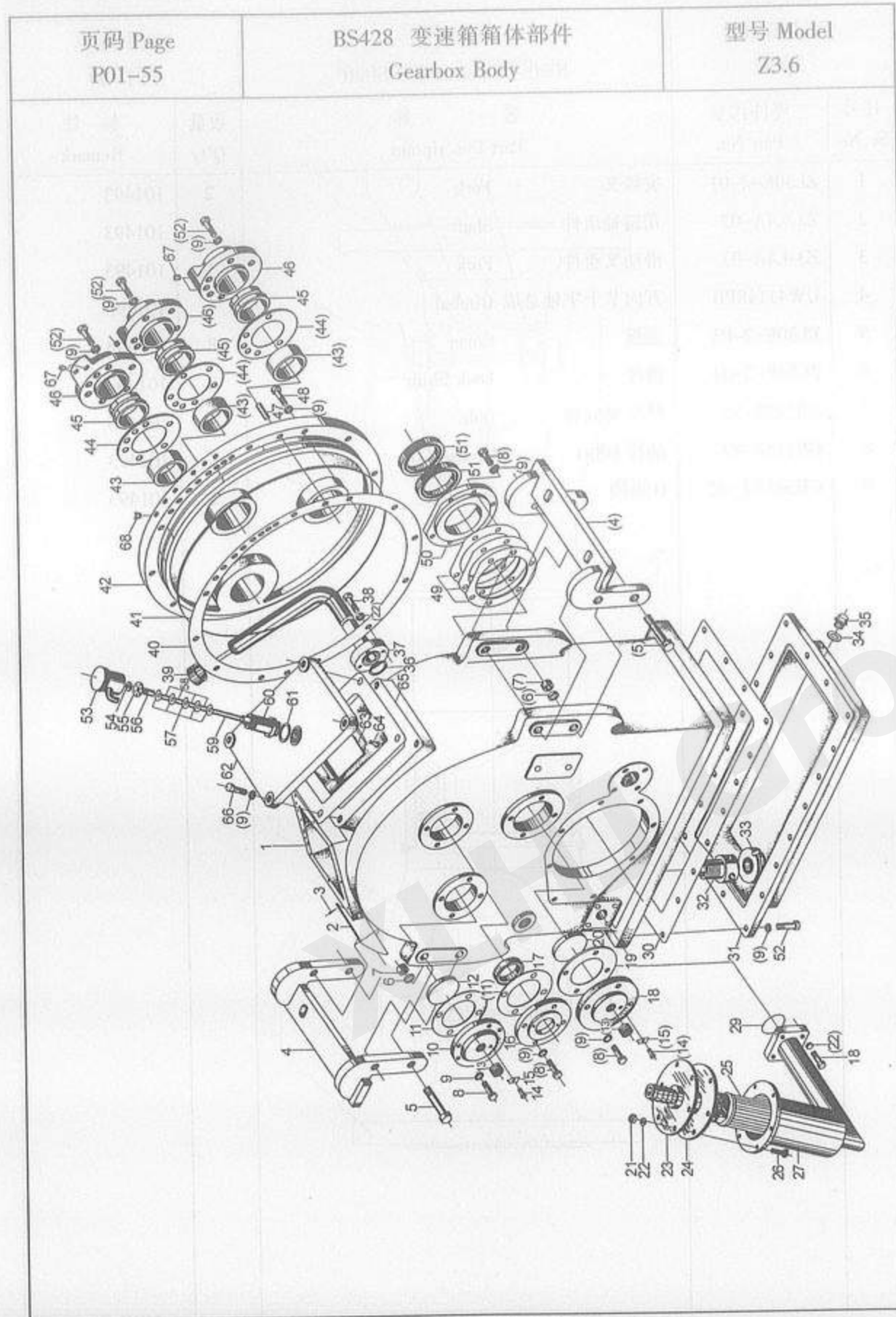
CLICK HERE TO **DOWNLOAD** THE COMPLETE MANUAL

页码 Page P01-15	82214207 差速器总成 Differential	型号 Model

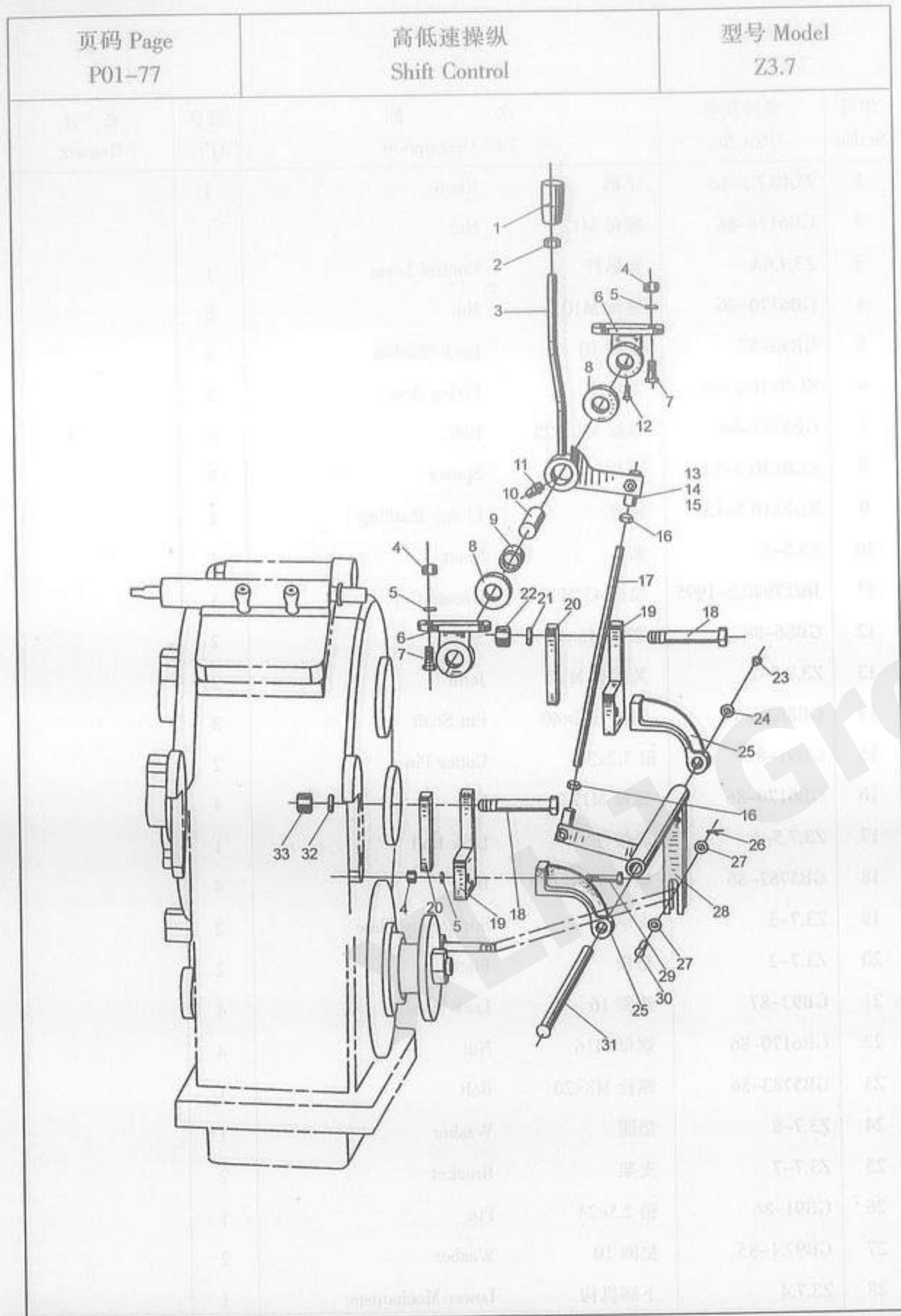
型号 Model		82214207 差速器总成 Differential	页码 Page P01-16	
序号 Sr.No.	零件代号 Part No.	名称 Part Description	数量 Q'ty	备注 Remark
1	82190102	差速器壳体 Differential	1	
2	75201604	半轴齿轮垫 Thrust Washer	2	
3	75201288	半轴齿轮 Side Gear	2	
4	75200088	十字轴 Spider	1	
5	82190103	差速器壳体 Differential	1	
6	51040002	螺母 M12×1.25 Nut	8	
7	75201605	行星齿轮垫片 Pinion Washer	4	
8	75201289	行星锥齿轮 Thrust Gear	4	
9	75501979	凸缘螺栓 Bolt	8	



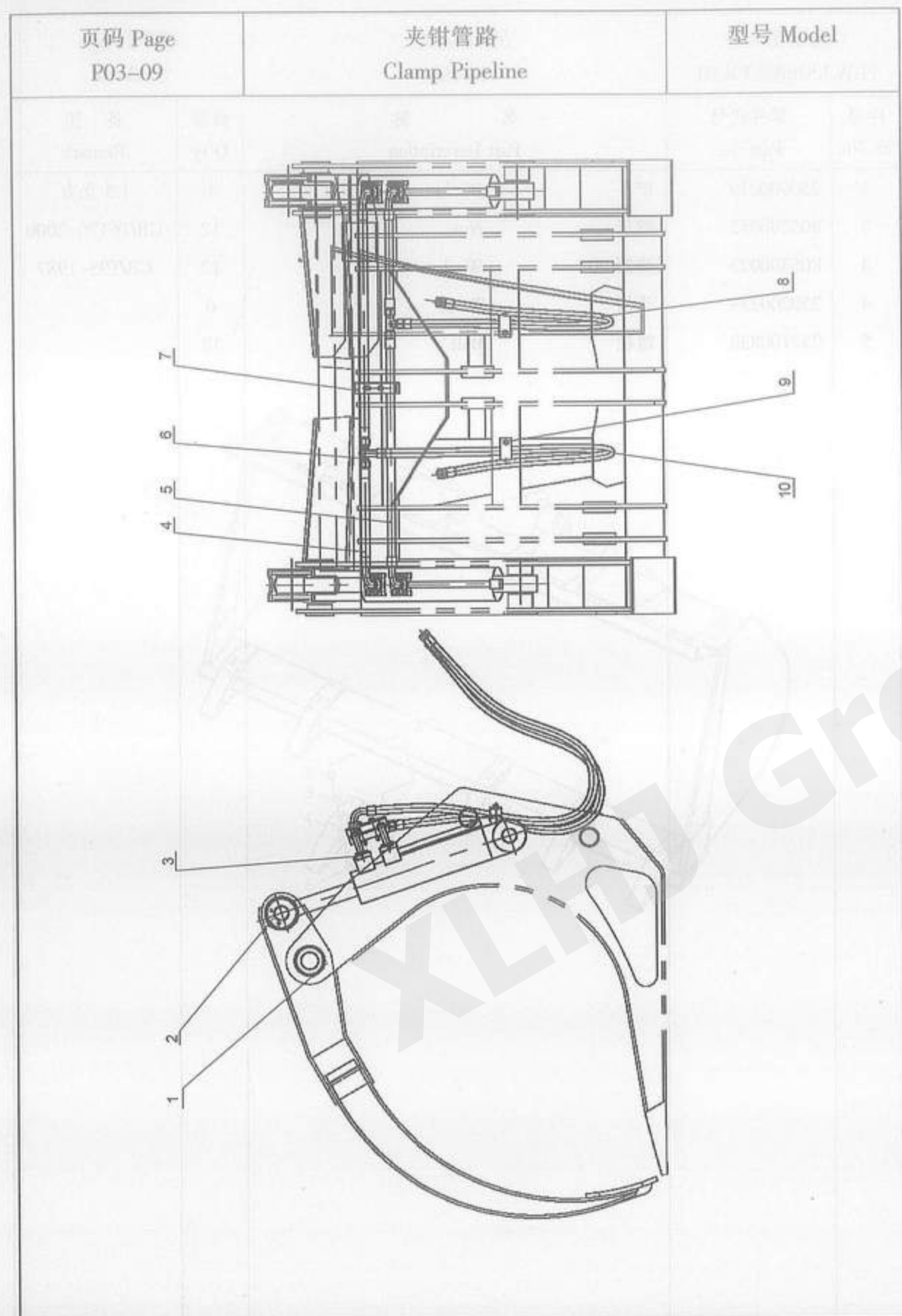
型号 Model 300F		传动轴总成 Driving Shaft Assy		页码 Page P01-38	
序号 Sr.No.	零件代号 Part No.	名称 Part Description		数量 Q'ty	备注 Remark
1	—				
2	805000411	螺栓 M16×80	Bolt	4	GB/T6182-2000
3	805200211	锁紧螺母 M16	Lock Nut	4	GB/T6182-2000
4	805300011	垫圈 16	Washer	4	GB/T93-1987
5	805300013	垫圈 16	Washer	4	GB/T97.1-2002
6	250100171	螺栓 M12×40	Bolt	8	
7	805300018	垫圈 12	Washer	8	GB/T93-1987
8	805201469	螺母 M12	Nut	8	GB/T6181-1986
9	805600026	销 3.2×25	Pin	8	GB/T91-2000
10	250100113	主传动轴	Main Driving Shaft	1	101269
	250100113	主传动轴	Main Driving Shaft	1	101148
	250100113	主传动轴	Main Driving Shaft	1	101493
11	—				
12	805002171	螺栓 M14×45	Bolt	12	GB/T31.1-1988
13	805300144	垫圈 14	Lock Washer	16	GB/T93-1987
14	805201470	螺母 M14	Nut	16	GB/T6181-1986
15	805600026	销 3.2×25	Pin	16	GB91-86
16	250100114	前传动轴	Front Transmission Shaft	1	101269
	250100114	前传动轴	Front Transmission Shaft	1	101148
	250100114	前传动轴	Front Transmission Shaft	1	101493
17	250100172	螺栓 M14×56	Bolt	4	
18	250100412	后传动轴	Rear Transmission Shaft	1	101269
	250100412	后传动轴	Rear Transmission Shaft	1	101148
	250100412	后传动轴	Rear Transmission Shaft	1	101493
19	250100173	垫片	Shim	2	



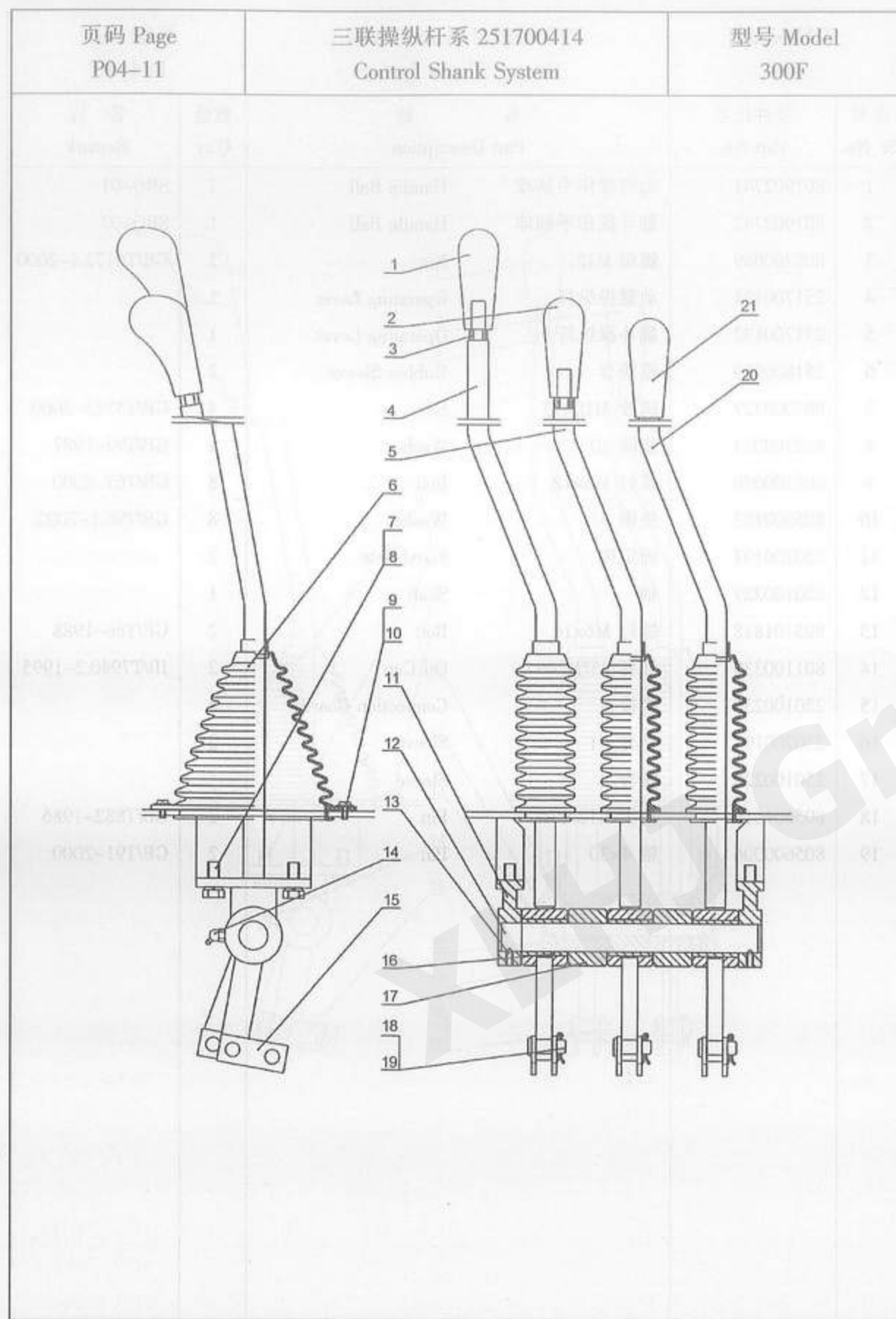
型号 Model Z3.6		BS428 变速箱箱体部件 Gearbox Body		页码 Page P01-56	
序号 Sr.No.	零件代号 Part No.	名称 Part Description	数量 Q'ty	备注 Remark	
1	ZL20-030001	箱体 Body	1		
2	403091	铭牌 Decal	1		
3	GB/T827-1986	标牌铆钉 2×6 Rivet	4		
4	ZL20-030057	支架 Supporting Bracket	2		
5	GB5783-86	六角螺栓 M16×75 Bolt	8		
6	GB93-87	弹簧垫圈 16 Lock Washer	8		
7	GB6170-86	六角螺母 M16 Nut	8		
8	GB5783-86	六角螺栓 M10×25 Bolt	18		
9	GB93-87	垫圈 10 Washer	57		
10	ZL20-030003	端盖 Cover	1		
11	ZL20-030002	纸垫 Paper Pad	2		
12	ZL20-030005	调整环 Ring	1		
13	ZL20-030006	调整螺丝 Adjusting Screw	2		
14	GB5783-86	六角头螺栓 M6×6 Bolt	2		
15	ZL20-030004	止动片 Retainer	2		
16	ZL20-030008	输入轴端盖 End Cover of Input Shaft	1		
17	JB2600-80	油封 45×62×12 Oil Seal	1		
18	ZL20-030058	中间轴端盖 Cover	1		
19	ZL20-030025	纸垫 Paper Pad	1		
20	ZL20-030059	挡油盖调整环 Adjusting Ring	1		
21	GB6170-86	螺母 M8 Nut	6		
22	GB93-87	垫圈 8 Washer	14		
23	ZL20-030062W1	接头法兰 Flange	1		
24	ZL20-030062-4	垫片 Gasket	1		
25	WL-100X100-J	滤芯 Filter Core	1		
26	GB5783-86	螺栓 M8×25 Bolt	6		
27	ZL20-030062-3W1	法兰接头 Flange Joint	1		
28	GB5783-86	六角螺栓 M8×30 Bolt	4		
29	Q26-01	O形圈 50×4 O-Ring	1		
30	ZL20-030020	密垫片 81 Gasket	1		



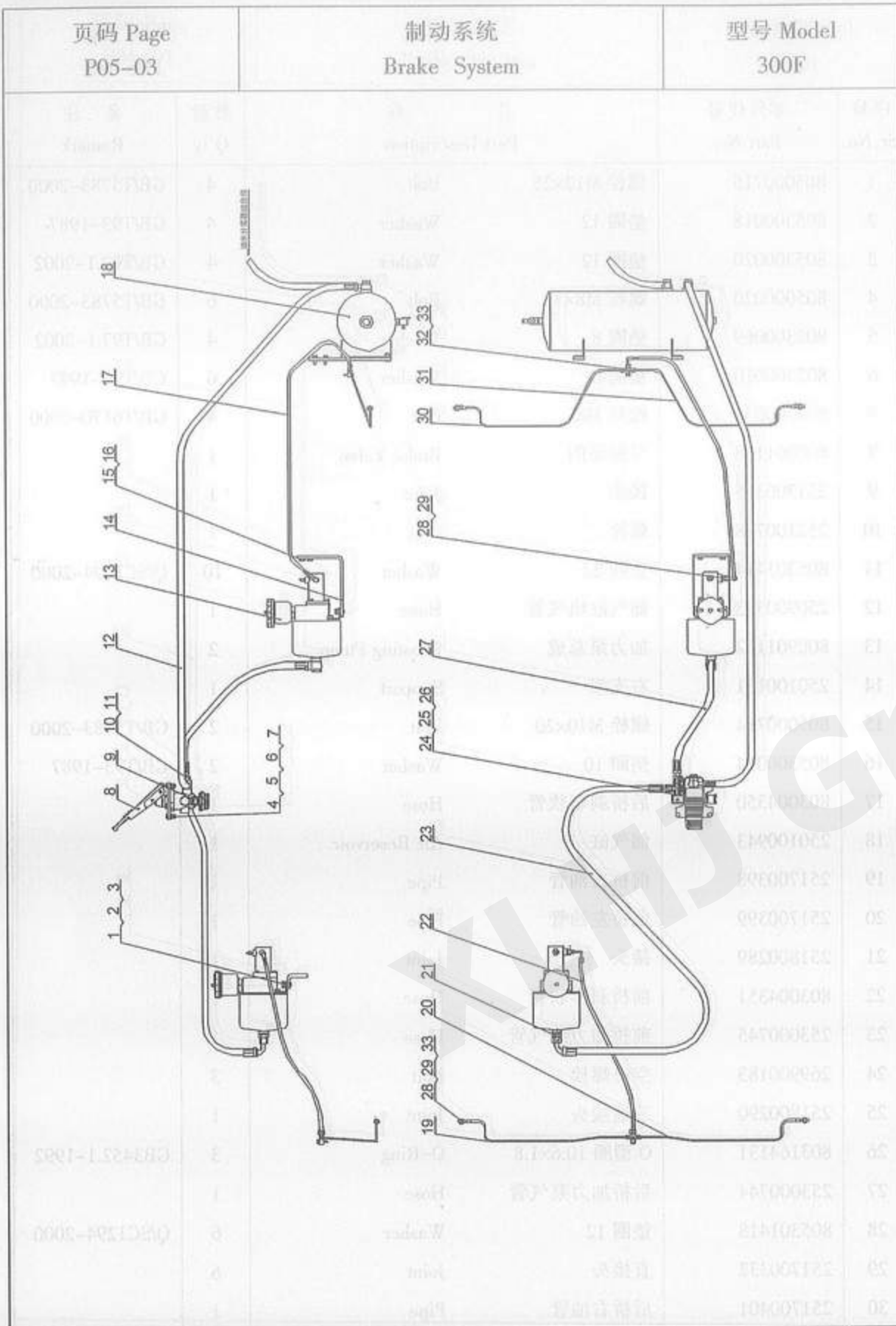
型号 Model Z3.7		高低速操纵 Shift Control	页码 Page P01-78	
序号 Sr.No.	零件代号 Part No.	名 称 Part Description	数量 Q'ty	备 注 Remark
29	GB5782-86	螺栓 M10×45 Bolt	4	
30	GB882-86	销轴 B10×60 Pin Shaft	1	
31	Z3.7-4	轴 Shaft	1	
32	GB93-87	垫圈 16 Lock Washer	4	
33	GB6170-86	螺母 M16 Nut	4	



型号 Model		夹钳管路 Clamp Pipeline	页码 Page P03-10	
序号 Sr, No.	零件代号 Part No.	名称 Part Description	数量 Q'ty	备注 Remark
1	250900324	夹钳 Clamp	1	
2	803004299	油缸 Cylinder	2	XGYG01-005
3	803166765	法兰组件 Flange	4	FPSI/M10
4	250900362	软管总成 Tube	2	
5	250900363	软管总成 Tube	2	
6	803164321	接头 Tie-In	2	Y22L
7	250900364	管夹 Tube Clamp	1	
8	250900367	软管总成 Tube	1	
9	250500110	管夹 Tube Clamp	2	
10	250900368	软管总成 Tube	1	



型号 Model 300F		三联操纵杆系 251700414 Control Shank System		页码 Page P04-12	
序号 Sr.No.	零件代号 Part No.	名 称 Part Description	数量 Q'ty	备 注 Remark	
1	801902741	动臂操作手柄球 Handle Ball	1	SBQ-01	
2	801902742	翻斗操作手柄球 Handle Ball	1	SBQ-02	
3	805200069	螺母 M12 Nut	3	GB/T6172.1-2000	
4	251700174	动臂操纵杆 Operating Lever	1		
5	251700172	翻斗操纵杆 Operating Lever	1		
6	251800359	橡胶套 Rubber Sleeve	3		
7	805000727	螺栓 M10×25 Bolt	4	GB/T5783-2000	
8	805300014	垫圈 10 Washer	4	GB/T93-1987	
9	805100056	螺钉 M5×12 Bolt	12	GB/T67-2000	
10	805300183	垫圈 5 Washer	12	GB/T96.1-2002	
11	250200197	固定座 Fixed Seat	2		
12	250100229	轴 Shaft	1		
13	805101818	螺钉 M6×16 Bolt	2	GB/T86-1988	
14	801100339	油杯 45°M10×1 Oil Cup	3	JB/T7940.2-1995	
15	250100230	联接板 Connection Board	6		
16	250200196	衬套 C1 Sleeve	3		
17	250100228	隔套 Sleeve	2		
18	805601616	销轴 B12×30 Pin	3	GB/T882-1986	
19	805600006	销 4×30 Pin	3	GB/T91-2000	
20	251700173	三联操纵杆 Operating Lever	1		
21	801902749	手柄球 Handle Ball	1	SBQ-05	



型号 Model 300F		制动系统 Brake System	页码 Page P05-04	
序号 Sr.No.	零件代号 Part No.	名称 Part Description	数量 Q'ty	备注 Remark
31	251700402	后桥左油管 Pipe	1	
32	250200207	前桥油路三通接头 Joint	2	
33	803164046	O形圈 8×1.9 O-Ring	12	GB1235-1976

页码 Page P06-13	左右动臂油缸 Left Right Boom Cylinder	型号 Model

型号 Model		左右动臂油缸 Left Right Boom Cylinder	页码 Page P06-14	
序号 Sr.No.	零件代号 Part No.	名称 Part Description	数量 Q'ty	备注 Remark
1	XGYG01-141-01	活塞杆头 Piston Rod Head	1	
2	XGYG01-141-02	活塞杆 Piston Rod	1	
3	Fc(70×8.5)	Fc 防尘圈 70×8.5 Dust Ring	1	
4		挡圈 115 Snap Ring	1	GB894.1-86
5	XGYG01-128-03	挡环 Snap Ring	1	
6	XGYG01-128-04	卡环 Key	1	
7		U形圈 70×85×11.4 U-Ring	1	
8		O形圈 125×5.7 O-Ring	2	GB1235-76
9	XGYG01-128-10	挡圈 Snap Ring	1	
10	S-55013	斯特封 d70 Step Ring	1	
11	XGYG01-128-05	轴用斯莱圈 Steal Ring	2	
12	XGYG01-128-06	导向套 Guide Sleeve	1	
13	XGYG01-141-03	左缸体 Left Cylinder Body	1	
14	XGYG01-128-08	活塞 Piston	1	
15	XGYG01-128-09	孔用斯莱圈 Slyd Ring	2	
16	S-55044	格莱圈 D125 Glyd Ring	1	
17		O形圈 75×3.1 O-Ring	1	GB1235-76
18		紧定螺钉 M8×16 Bolt	1	GB79-85
19		Φ60 骨架防尘圈 Dust Ring	2	9D00-590300-03
20		关节轴承 GE60ES Bearing	1	GB304.5-81
21		挡圈 90 Snap Ring	2	GB893.1-86
22		紧定螺钉 M10×25 Screw	1	GB79-85

CLICK HERE TO **DOWNLOAD** THE COMPLETE MANUAL

- Thank you very much for reading the preview of the manual.
- You can download the complete manual from: [www.heydownloads.com](http://www.heydownloads.com) by clicking the link below



- Please note: If there is no response to CLICKING the link, please download this PDF first and then click on it.

CLICK HERE TO **DOWNLOAD** THE COMPLETE MANUAL