

Ersatzteilliste

Spare parts list

Catalogue de pièces détachées

Dumper

Dumper

Dumper

10001+



Fahrzeugtyp

Vehicle model

Véhicule modèle

10001

Ab Fabrikations-Nr.

Valid from serial no.

Valable à partir de no. de série

AA110001F

Ausgabe

Edition

Edition

2.3 / Dec 2010

Best. Nummer

Spare part no.

No. de pièce détachée

1000161103



**WACKER
NEUSON**

CLICK HERE TO **DOWNLOAD** THE COMPLETE MANUAL

- Thank you very much for reading the preview of the manual.
- You can download the complete manual from: www.heydownloads.com by clicking the link below



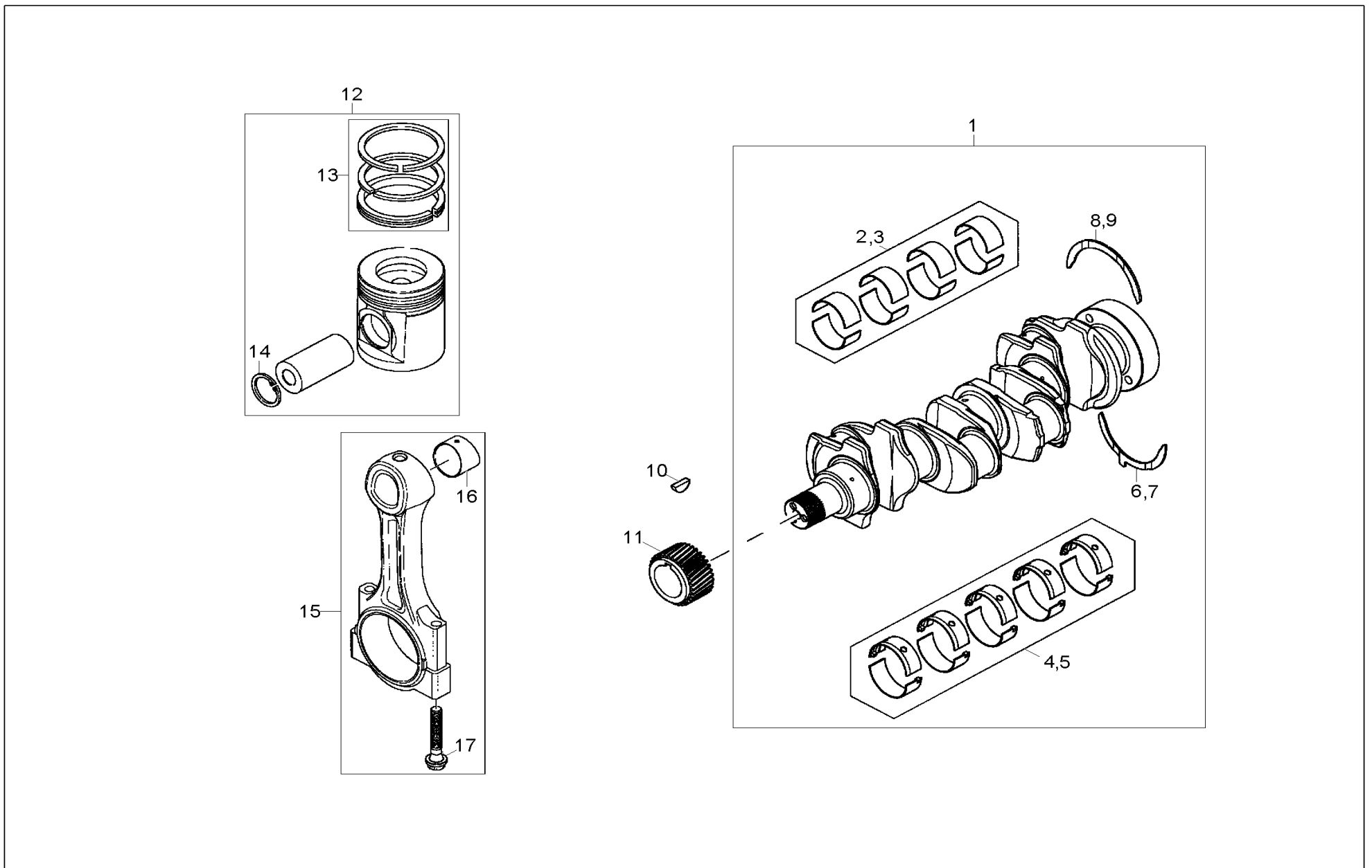
- Please note: If there is no response to CLICKING the link, please download this PDF first and then click on it.

CLICK HERE TO **DOWNLOAD** THE COMPLETE MANUAL

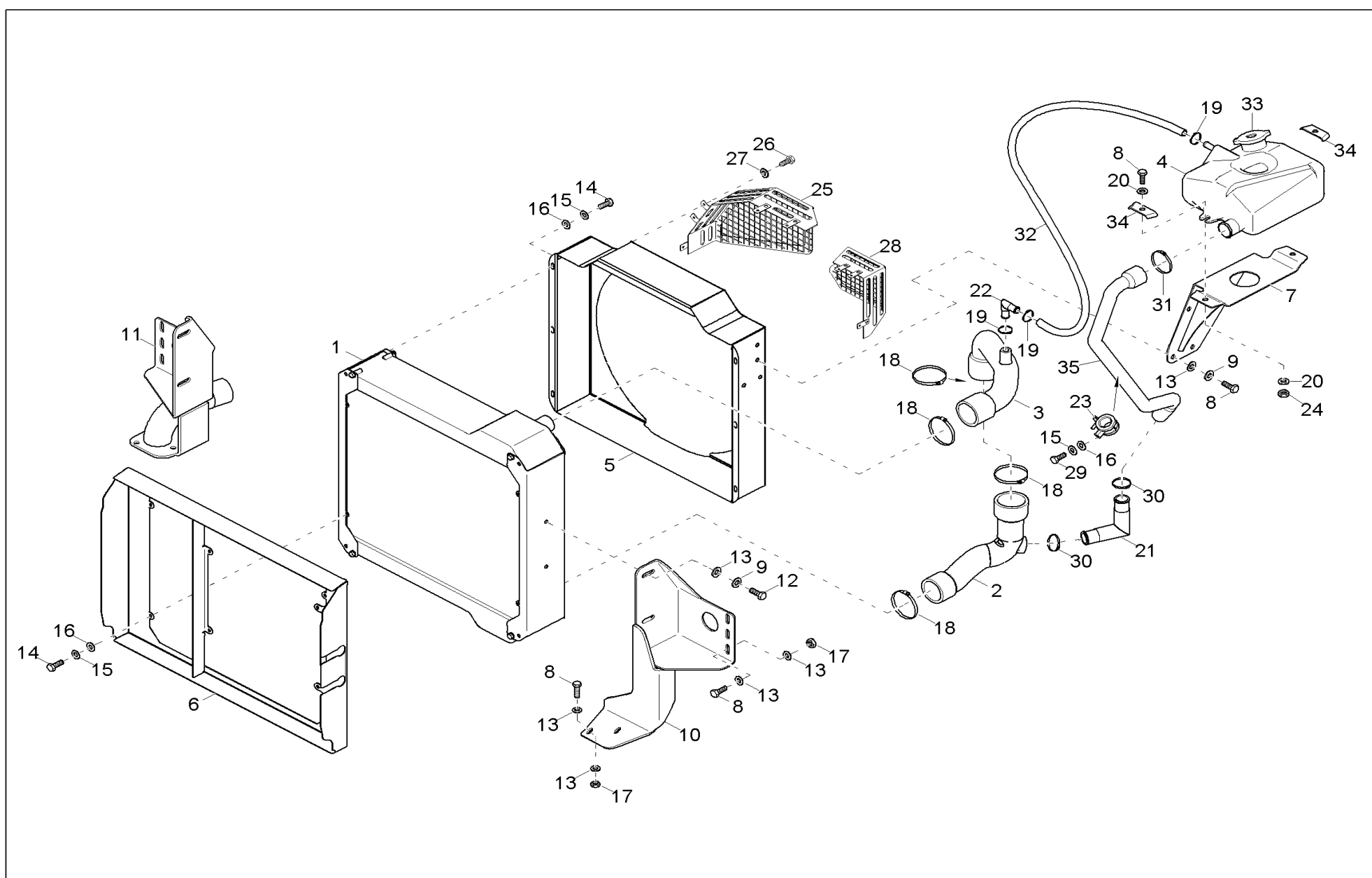
INHALT / CONTENT / SOMMAIRE

| BEZEICHNUNG PART NAME DESIGNATION | SEITE PAGE PAGE |
|--|-----------------------|
| HUPE | |
| HORN | 09/40 |
| AVERTISSEUR | |
| FRONTBELEUCHTUNG (OPTION) SP | |
| FRONT LIGHTS (OPTION) | 09/50 |
| PHARES AVANT (OPTION) | |
| HECKBELEUCHTUNG (OPTION) SP | |
| REAR LIGHTS (OPTION) | 09/60 |
| PHARES ARRIERE (OPTION) | |
| KABELBAUM MOTOR | |
| WIRING HARNESS ENGINE | 09/70 |
| ARBRE DE CÂBLE DU MOTEUR | |
| HAUPTKABELBAUM | |
| MAIN HAIRNESS | 09/80 |
| FAISCEAU ÉLECTRIQUE PRINCIPAL | |
| STVO-KABELBAUM (OPTION) SP | |
| WIRE HARNESS (OPTION) | 09/90 |
| FAISCEAU DE CÂBLES (OPTION) | |
| ZÜNDSCHLOßPLATTE | |
| IGNITION LOCK - PLATE | 09/100 |
| PLAQUE DE SERRURE D'ALLUMAGE | |
| RÄDER / KETTEN SP WHEELS / TRACKS ROUE / CHAINE | |
| RÄDER | |
| WHEELS | 10/10 |
| ROUE | |
| FAHRWERK / RAHMEN SP UNDERCARRIAGE / CHASSIS CHASSIS DE TRANSLATION / CHASSIS | |
| VORDERTEIL RAHMEN SP | |
| FRONT PART CHÂSSIS | 11/10 |
| CHASSIS DEVANT | |
| HINTERTEIL RAHMEN 1 SP | |
| REAR PART FRAME 1 | 11/20 |
| CÔTÉ DE DERRIÈRE 1 | |
| HINTERTEIL RAHMEN 2 SP | |
| REAR PART FRAME 2 | 11/30 |
| CÔTÉ DE DERRIÈRE 2 | |
| HINTERTEIL RAHMEN 2 SP | |
| REAR PART FRAME 2 | 11/40 |
| CÔTÉ DE DERRIÈRE 2 | |
| GELENKTEIL | |
| ARTICULATION PIECE | 11/50 |
| PIÈCE ARTICULÉE | |
| ÜBERROLLBÜGEL | |
| OVERROLL BAR | 11/60 |
| ARCHET À ENVAHIR | |
| FOPS-SCHUTZDACH (OPTION) SP | |
| FOPS-ROOF (OPTION) | 11/70 |
| FOPS-TOIT (OPTION) | |
| VERKLEIDUNGEN SP PANELS REVÊTEMENT | |
| MOTORHAUBE | |
| ENGINE HOOD | 12/10 |
| CAPOT | |
| HECKKLAPPE | |
| REAR FLAP | 12/20 |
| HAYON | |
| BODENBLECH | |
| FLOOR PLATE | 12/30 |
| TÔLE FONCIÈRE | |
| ARMSYSTEM / LADEANLAGE SP BOOM / LOADER UNIT FLÈCHE / EQUIPEMENT CHARGEUR | |
| MULDE (FRONT TIP) SP | |
| SKIPPER (FRONT TIP) | 13/10 |
| BENNE (FRONT TIP) | |
| KABINE / FAHRERSITZ SP CABIN / DRIVER SEAT CABINE / SIÈGE DU CONDUCTEUR | |
| KABINE | |
| CABIN | 14/10 |
| CABINE | |

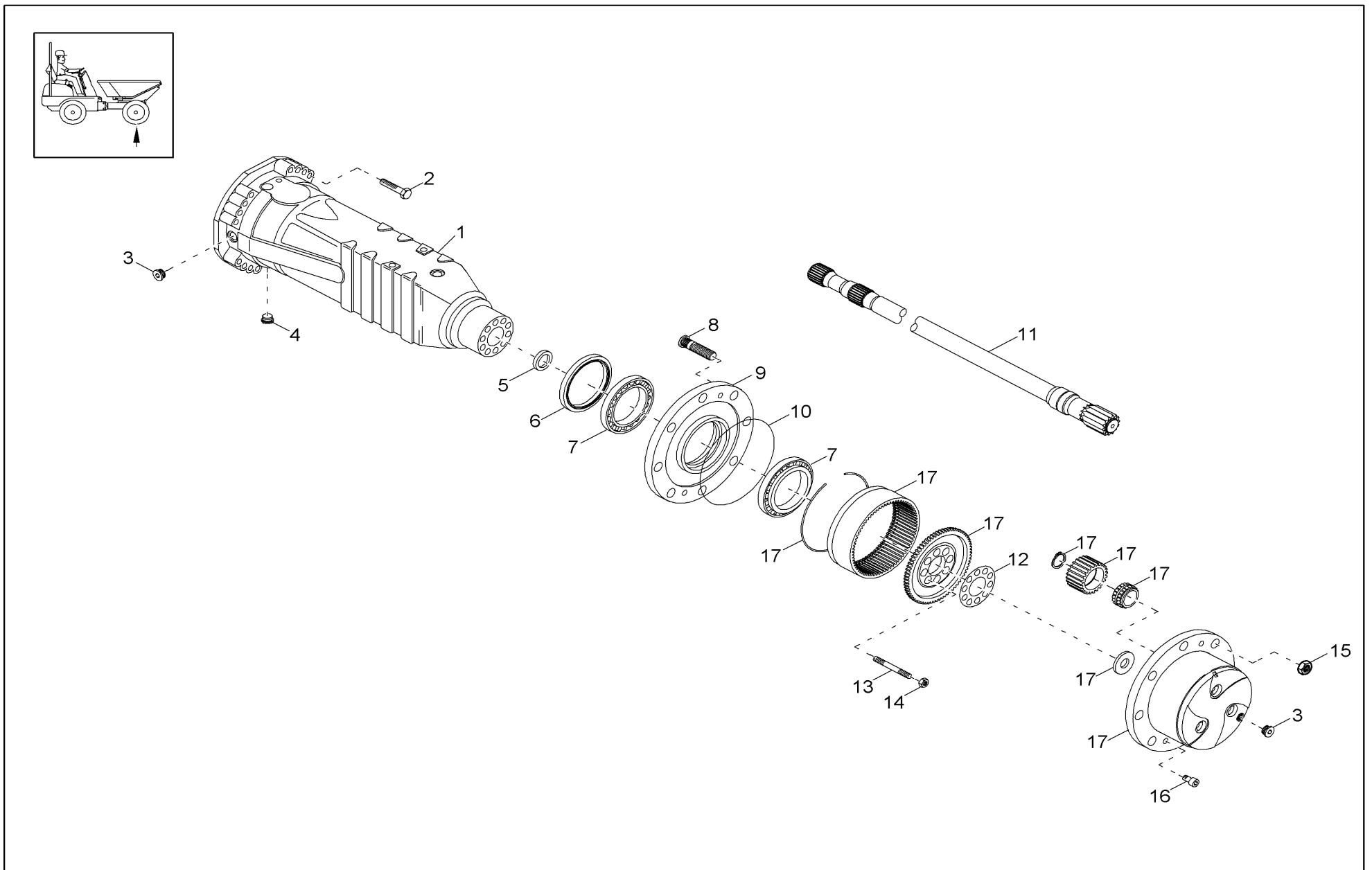
| | |
|--|--------|
| RAHMENANBAUTEILE (OPTION) SP | |
| CABIN FRAME (OPTION) | 14/20 |
| CADRE DE CABIN (OPTION) | |
| DÄMMMATTEN (OPTION) SP | |
| INSULATING MAT (OPTION) | 14/30 |
| TAPIS ISOLANT (OPTION) | |
| TÜRE (OPTION) SP | |
| CABIN DOOR (OPTION) | 14/40 |
| PORTE DE LA CABINE (OPTION) | |
| GLÄSER (OPTION) SP | |
| CABIN WINDOWS (OPTION) | 14/50 |
| VITRES DE LA CABINE (OPTION) | |
| RUNDUMLEUCHTE (OPTION) SP | |
| ROTATING BEACON (OPTION) | 14/60 |
| LAMPE (OPTION) | |
| RUNDUMLEUCHTE (OPTION) SP | |
| ROTATING BEACON (OPTION) | 14/70 |
| LAMPE (OPTION) | |
| RUNDUMLEUCHTE (OPTION) SP | |
| ROTATING BEACON (OPTION) | 14/80 |
| LAMPE (OPTION) | |
| SPIEGEL (OPTION) SP | |
| MIRROR (OPTION) | 14/90 |
| RÉTROVISEUR (OPTION) | |
| SPIEGEL (OPTION) SP | |
| MIRROR (OPTION) | 14/100 |
| RÉTROVISEUR (OPTION) | |
| FAHRERSITZ | |
| DRIVERS SEAT | 14/110 |
| SIÈGE CONDUCTEUR | |
| FAHRERSITZ | |
| DRIVERS SEAT | 14/120 |
| SIÈGE CONDUCTEUR | |
| HEIZUNG, KLIMAAANLAGE SP HEATING, AIR-CONDITIONING PLANT CHAUFFAGE, CONDITIONNEMENT D'AIR | |
| HEIZUNG | |
| HEATING | 15/10 |
| CHAUFFAGE | |
| AUFKLEBER, WERKZEUG SP STICKER, TOOL KIT ÉTIQUETTE ADHÉSIVE, OUTILLAGE | |
| AUFKLEBER | |
| STICKER | 16/10 |
| AUTOCOLLANT | |
| ANTIRUTSCHBELAG | |
| ANTISLIDE COVERING | 16/20 |
| REVÊTEMENT ANTIGLISSEMENT | |
| UNTERLEGKEIL (OPTION) SP | |
| WHEEL CHOCK (OPTION) | 16/30 |
| CLAVETTE DE METTRE DESSOUS (OPTION) | |



| Pos | Art.-Nr. | Anm. | QTY | BEZEICHNUNG | PART NAME | DESIGNATION |
|-----|------------|----------------|---------|-----------------|----------------------------|--------------------------|
| 1 | 1000137607 | | 1,00 ST | KURBELWELLE | CRANK SHAFT | VILLEBREQUIN |
| 2 | 1000130702 | | 1,00 ST | PLEUELLAGERSATZ | CONNECTING ROD BEARING SET | KIT COUSSINET DE BIELLE |
| 3 | 1000130703 | OS=0,25 | 1,00 ST | PLEUELLAGERSATZ | BEARING KIT | JEU DE PALIERS DE BIELLE |
| 4 | 1000130662 | | 1,00 ST | HAUPTLAGERSATZ | MAIN BEARING SET | KIT COUSSINET |
| 5 | 1000130661 | OS=0,25 | 1,00 ST | HAUPTLAGERSATZ | MAIN BEARING SET | KIT COUSSINET |
| 6 | 1000115118 | | 2,00 ST | AXIAL-LAGER | AXIAL BEARING | PALIER AXIAL |
| 7 | 1000130665 | OS=0,18 | 2,00 ST | AXIAL-LAGER | AXIAL BEARING | PALIER AXIAL |
| 8 | 1000115119 | | 2,00 ST | AXIAL-LAGER | AXIAL BEARING | PALIER AXIAL |
| 9 | 1000130665 | OS=0,18 | 2,00 ST | AXIAL-LAGER | AXIAL BEARING | PALIER AXIAL |
| 10 | 1000115120 | | 1,00 ST | PASSFEDER | FITTING KEY | CLAVETTE |
| 11 | 1000130656 | | 1,00 ST | ZAHNRAD | GEAR | ROUE DENTÉE |
| 12 | 1000137612 | | 4,00 ST | KOLBEN | PISTON | PISTON |
| 13 | 1000130657 | | 4,00 ST | KOLBENRINGSATZ | PISTON RING SET | JEU DE SEGMENT DE PISTON |
| 14 | 1000130649 | | 8,00 ST | SICHERUNGSRING | LOCK RING | CIRCLIPS |
| 15 | 1000130674 | Grade L blue | 4,00 ST | PLEUELSTANGE | CONNECTING ROD | BIELLE |
| 15 | 1000130673 | Grade K purple | 4,00 ST | PLEUELSTANGE | CONNECTING ROD | BIELLE |
| 15 | 1000130669 | Grade G orange | 4,00 ST | PLEUELSTANGE | CONNECTING ROD | BIELLE |
| 15 | 1000130651 | Grade F red | 4,00 ST | PLEUELSTANGE | CONNECTING ROD | BIELLE |
| 15 | 1000130670 | Grade H white | 4,00 ST | PLEUELSTANGE | CONNECTING ROD | BIELLE |
| 15 | 1000130671 | Grade J green | 4,00 ST | PLEUELSTANGE | CONNECTING ROD | BIELLE |
| 16 | 1000130653 | | 4,00 ST | BUCHSE | BUSHING | BAGUE |
| 17 | 1000130654 | | 8,00 ST | SCHRAUBE | SCREW | VIS |



| Pos | Art.-Nr. | Anm. | QTY | BEZEICHNUNG | PART NAME | DESIGNATION |
|-----|------------|------|----------|--------------------|----------------------|---------------------------------------|
| 1 | 1000113397 | | 1,00 ST | KÜHLER | COOLER | RADIATEUR |
| 2 | 1000113398 | | 1,00 ST | KÜHLWASSERSCHLAUCH | COOLER WATER HOSE | DURITE D'EAU DE RÉFRIGÉRATION |
| 3 | 1000113398 | | 1,00 ST | KÜHLWASSERSCHLAUCH | COOLER WATER HOSE | DURITE D'EAU DE RÉFRIGÉRATION |
| 4 | 1000129048 | | 1,00 ST | AUSGLEICHBEHÄLTER | REGULATION CONTAINER | VASE D'EXPANSION |
| 5 | 1000104117 | | 1,00 ST | LÜFTERGEHÄUSE | VENTILATOR HOUSING | BOÎTE DE VENTILATEUR |
| 6 | 1000104119 | | 1,00 ST | ABSCHOTTBLECH | BULK PLATE | TÔLE À ISOLER |
| 7 | 1000134013 | | 1,00 ST | KONSOLE | CONSOLE | CONSOLE |
| 8 | 1000015364 | | 10,00 ST | 6KT-SCHRAUBE | HEX SCREW | VIS À TÊTE HEXAGONALE |
| 9 | 1000015438 | | 6,00 ST | SCHNORRSICHERUNG | LOCK WASHER | RONDELLE FREIN |
| 10 | 1000104121 | | 1,00 ST | KÜHLERTRÄGER | COOLER SUPPORT | SUPPORT DE RADIATEUR |
| 11 | 1000110225 | | 1,00 ST | KÜHLERTRÄGER | COOLER SUPPORT | SUPPORT DE RADIATEUR |
| 12 | 1000085411 | | 4,00 ST | 6KT-SCHRAUBE | HEX SCREW | VIS À TÊTE HEXAGONALE |
| 13 | 1000094974 | | 18,00 ST | SCHEIBE | WASHER | RONDELLE |
| 14 | 1000019136 | | 10,00 ST | 6KT-SCHRAUBE | HEX SCREW | VIS À TÊTE HEXAGONALE |
| 15 | 1000015437 | | 11,00 ST | SCHNORRSICHERUNG | LOCK WASHER | RONDELLE FREIN |
| 16 | 1000015448 | | 11,00 ST | SCHEIBE | WASHER | RONDELLE |
| 17 | 1000015408 | | 6,00 ST | 6KT-MUTTER | HEXAGON NUT | ÉCROU HEXAGONAL |
| 18 | 1000079468 | | 4,00 ST | SCHLAUCHBINDER | HOSE STRAP | LIANT DE TUYAU FLEXIBLE |
| 19 | 1000079465 | | 3,00 ST | SCHLAUCHBINDER | HOSE STRAP | LIANT DE TUYAU FLEXIBLE |
| 20 | 1000015442 | | 4,00 ST | SCHEIBE | WASHER | RONDELLE |
| 21 | 1000108682 | | 1,00 ST | ROHR | PIPE LINE | TUYAU |
| 22 | 1000115820 | | 1,00 ST | SCHLAUCHVERBINDUNG | HOSE CONNECTOR | RACCORDEMENT TUYAU |
| 23 | 1000062409 | | 1,00 ST | ROHRSCHELLE | PIPE CLAMP | BRIDE DE FIXATION |
| 24 | 1000015408 | | 2,00 ST | 6KT-MUTTER | HEXAGON NUT | ÉCROU HEXAGONAL |
| 25 | 1000127748 | | 1,00 ST | LÜFTERRADSCHUTZ | FAN PROTECTION | GRILLE DE PROTECTION |
| 26 | 1000082511 | | 8,00 ST | 6KT-SCHRAUBE | HEX SCREW | VIS À TÊTE HEXAGONALE |
| 27 | 1000094966 | | 8,00 ST | SCHEIBE | WASHER | RONDELLE |
| 28 | 1000127749 | | 1,00 ST | LÜFTERRADSCHUTZ | FAN PROTECTION | GRILLE DE PROTECTION |
| 29 | 1000013008 | | 1,00 ST | 6KT-SCHRAUBE | HEX SCREW | VIS À TÊTE HEXAGONALE |
| 30 | 1000079466 | | 2,00 ST | SCHLAUCHBINDER | HOSE STRAP | LIANT DE TUYAU FLEXIBLE |
| 31 | 1000079467 | | 1,00 ST | SCHLAUCHBINDER | HOSE STRAP | BOUTISSE DE FLEXIBLE |
| 32 | 1000097228 | | 0,10 M | KÜHLWASSERSCHLAUCH | RADIATOR HOSE | TUYAU FLEXIBLE D'EAU DE RÉFRIGÉRATION |
| 33 | 1000130808 | | 1,00 ST | VERSCHLUSS | LOCK | FERMETURE |
| 34 | 1000134014 | | 2,00 ST | KLEMME | CLAMP | ATTACHE |
| 35 | 1000132843 | | 1,00 ST | KÜHLWASSERSCHLAUCH | COOLER WATER HOSE | DURITE D'EAU DE RÉFRIGÉRATION |



| Pos | Art.-Nr. | Anm. | QTY | BEZEICHNUNG | PART NAME | DESIGNATION |
|-----|------------|------|----------|------------------|-------------------|----------------------------|
| 1 | 1000114055 | | 1,00 ST | ACHSGEHÄUSE | AXLE CASE | CORPS DE LA BOÎTE D'ESSIEU |
| 2 | 1000113777 | | 32,00 ST | SCHRAUBE | SCREW | VIS |
| 3 | 1000105891 | | 4,00 ST | STOPFEN | PLUG | BOUCHON |
| 4 | 1000113683 | | 2,00 ST | MAGNETSTOPFEN | MAGNET PLUG | BOUCHON DE VIDANGE |
| 5 | 1000113781 | | 2,00 ST | DICHTRING | SEAL RING | BAGUE D'ÉTANCHÉITÉ |
| 6 | 1000113778 | | 2,00 ST | DICHTRING | SEAL RING | BAGUE D'ÉTANCHÉITÉ |
| 7 | 1000105823 | | 4,00 ST | LAGER | BEARING | PALIER |
| 8 | 1000105855 | | 16,00 ST | RADBOLZEN | WHEEL BOLT | GOUJON DE ROUE |
| 9 | 1000113779 | | 2,00 ST | RADNABE | WHEEL HUB | MOYEU DE ROUE |
| 10 | 1000105902 | | 2,00 ST | O-RING | O-RING | JOINT TORIQUE |
| 11 | 1000114056 | | 2,00 ST | ACHSWELLE | AXLE SHAFT | ARBRE D'ESSIEU |
| 12 | 1000113780 | | 2,00 ST | SICHERUNGSBLECH | LOCK PLATE | FREIN EN TÔLE |
| 13 | 1000113783 | | 16,00 ST | STIFTSCHRAUBE | STUD | GOUJON |
| 14 | 1000150438 | | 16,00 ST | MUTTER | NUT | ÉCROU |
| 15 | 1000105856 | | 16,00 ST | KUGELBUND MUTTER | BALL NUT | ÉCROU CENTREUR |
| 16 | 1000105893 | | 4,00 ST | SENKSCHRAUBE | COUNTERSUNK SCREW | VIS À TÊTE NOYÉE |
| 17 | 1000113784 | | 2,00 ST | PLANETENGEHÄUSE | PLANETARY HOUSING | BOÎTE PLANÉTAIRE |

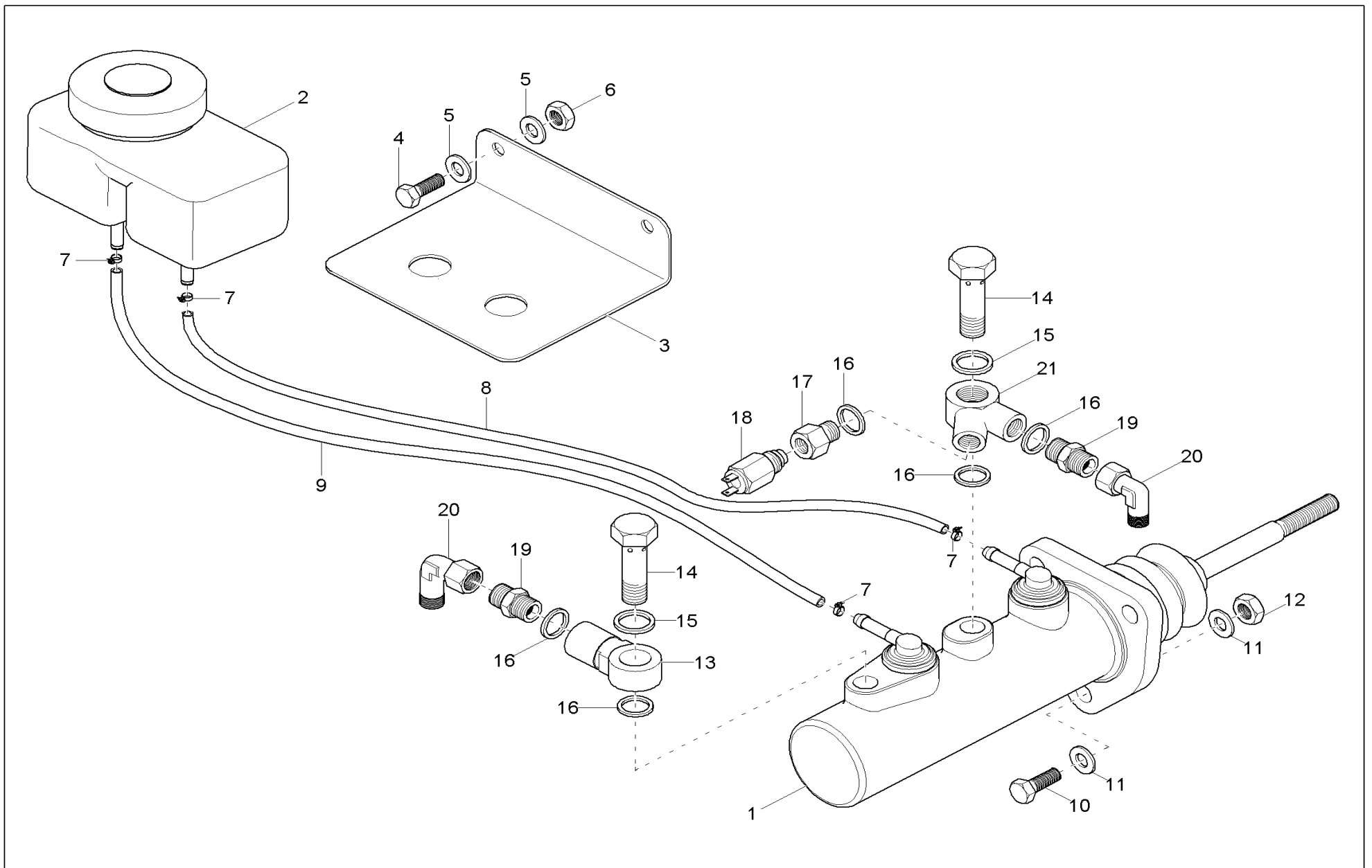
CLICK HERE TO **DOWNLOAD** THE COMPLETE MANUAL

- Thank you very much for reading the preview of the manual.
- You can download the complete manual from: www.heydownloads.com by clicking the link below

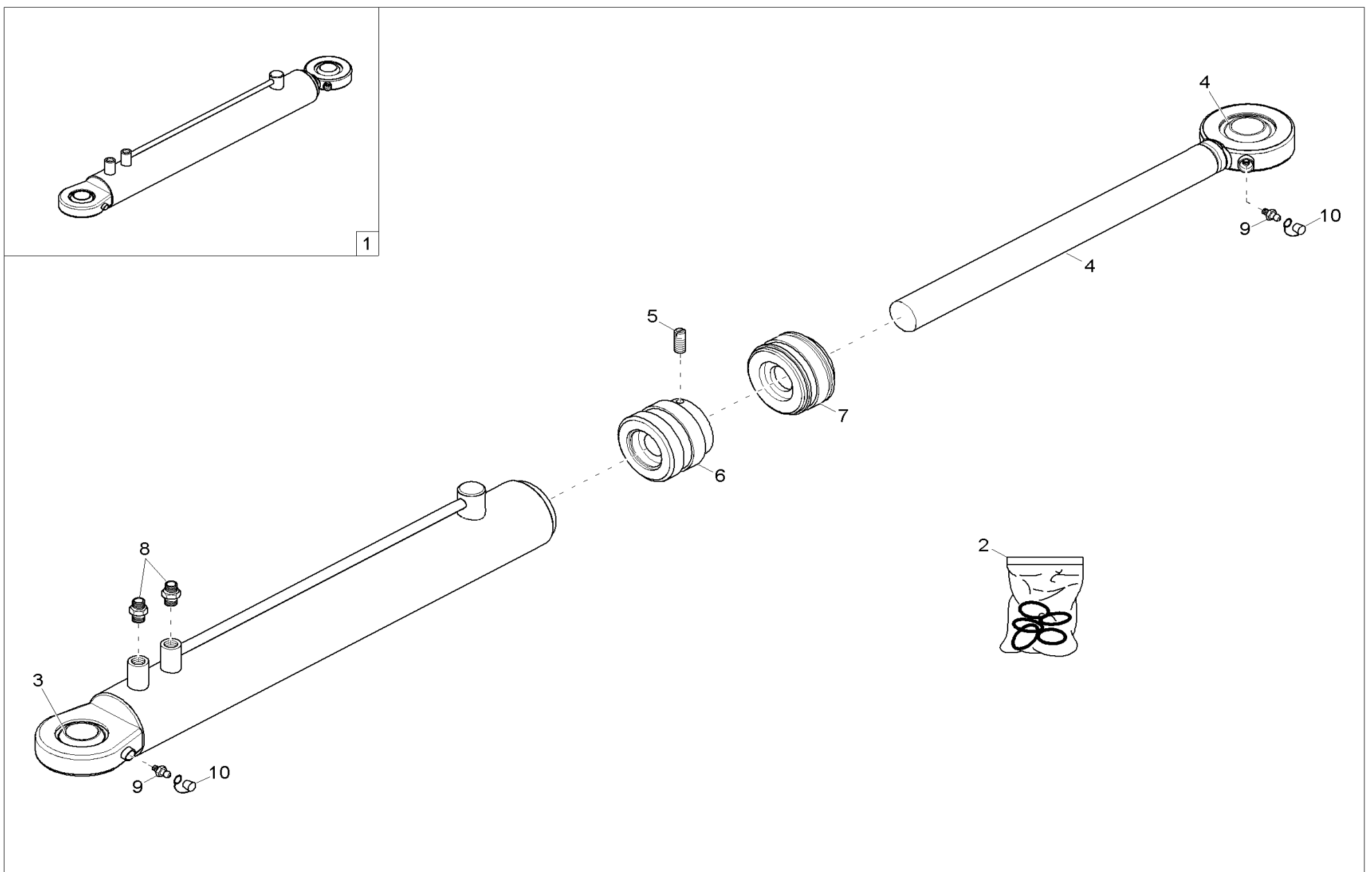


- Please note: If there is no response to CLICKING the link, please download this PDF first and then click on it.

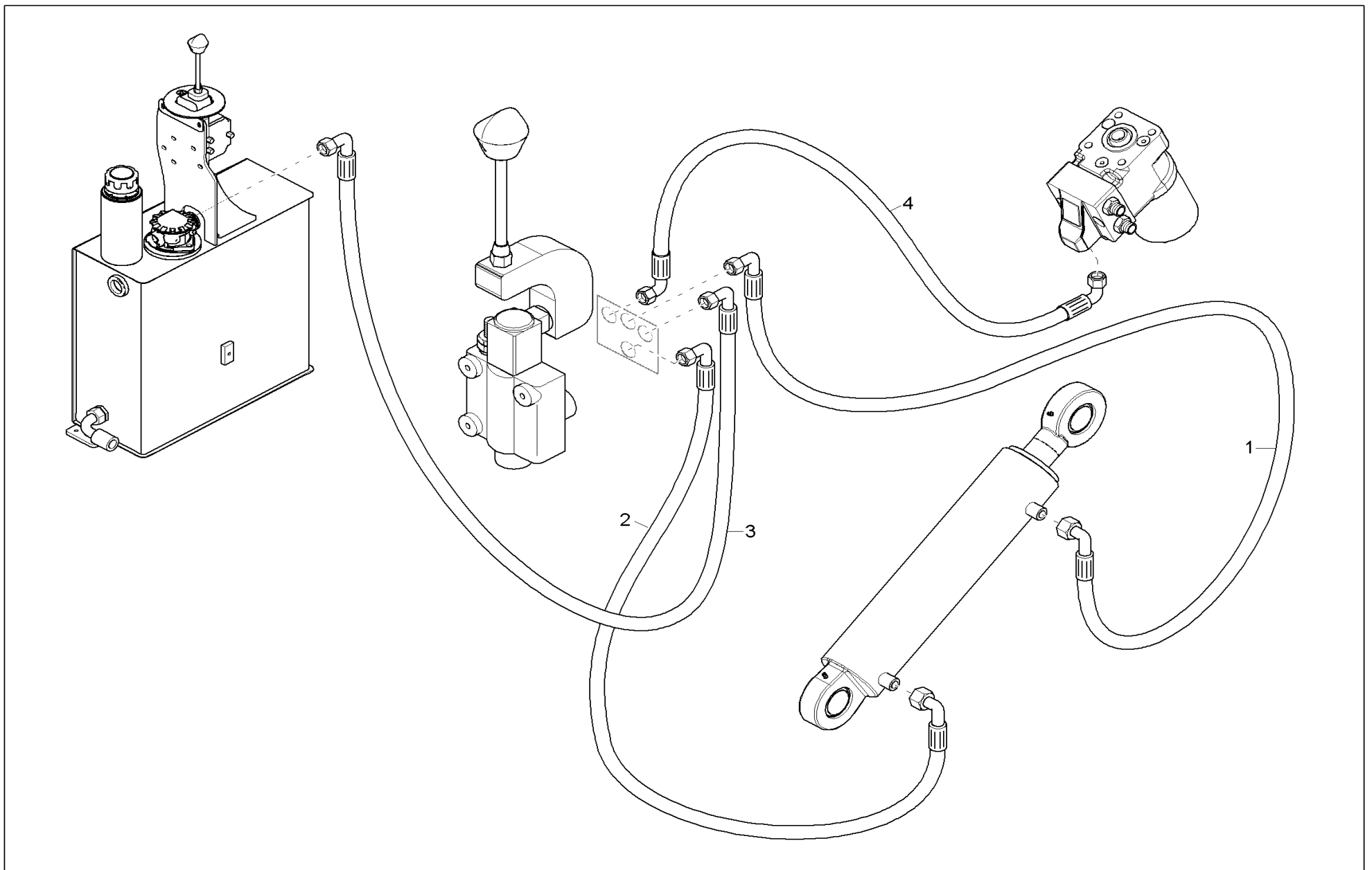
CLICK HERE TO **DOWNLOAD** THE COMPLETE MANUAL



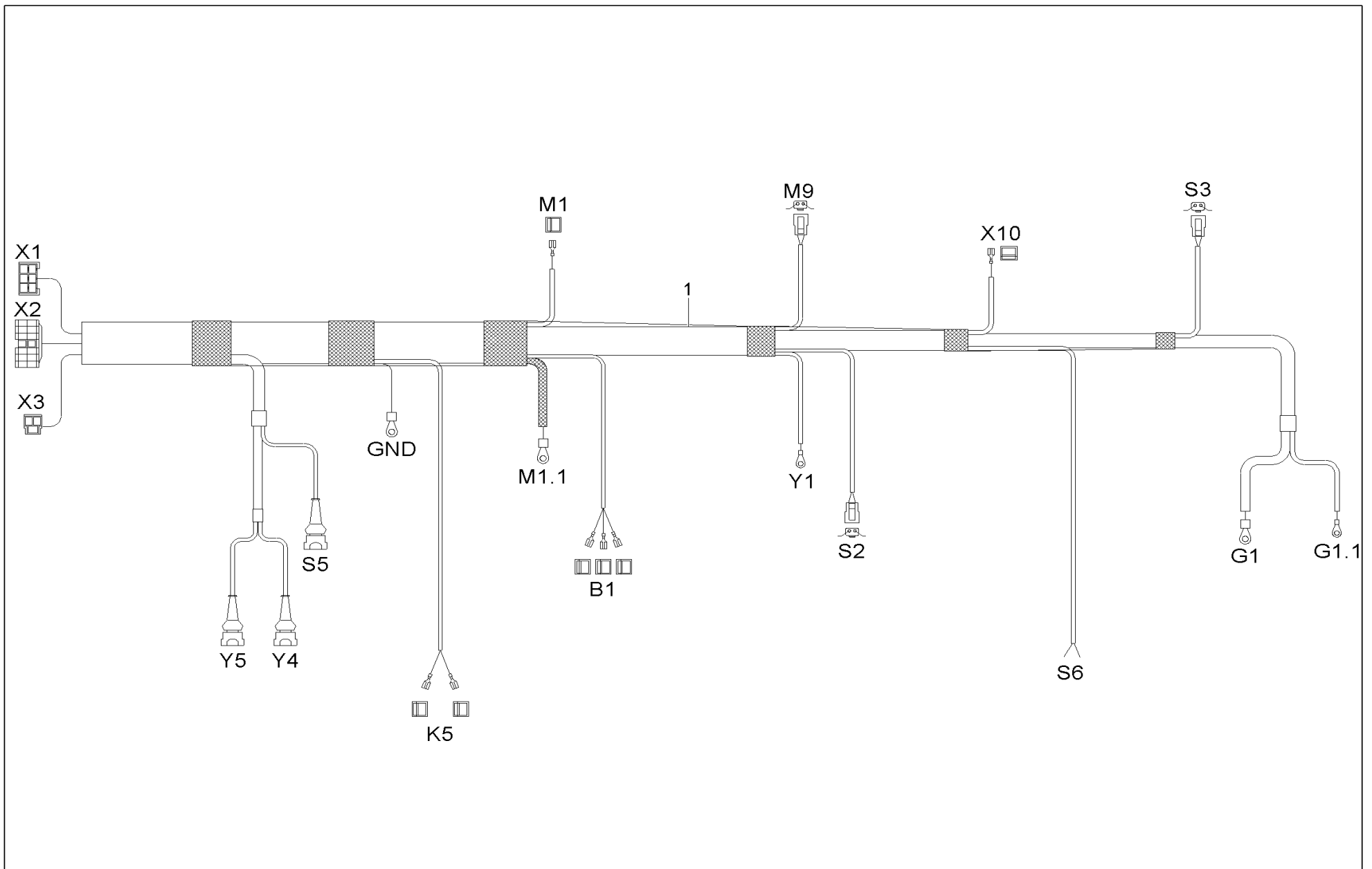
| Pos | Art.-Nr. | Anm. | QTY | BEZEICHNUNG | PART NAME | DESIGNATION |
|-----|------------|------|---------|--------------------|--------------------------|-------------------------------------|
| 1 | 1000001877 | | 1,00 ST | HAUPTBREMSZYLINDER | MASTERBRAKE CYLINDER | CYLINDRE RÉCEPTEUR PRINCIPAL |
| 2 | 1000017670 | | 1,00 ST | BEHÄLTER | BRAKE CYLINDER CONTAINER | RÉSERVOIR CYLINDRE RÉCEPTEUR |
| 3 | 1000161686 | | 1,00 ST | KONSOLE | CONSOLE | CONSOLE |
| 4 | 1000015343 | | 2,00 ST | 6KT-SCHRAUBE | HEX SCREW | VIS À TÊTE HEXAGONALE |
| 5 | 1000015448 | | 4,00 ST | SCHEIBE | WASHER | RONDELLE |
| 6 | 1000015416 | | 2,00 ST | 6KT-MUTTER | HEXAGON NUT | ÉCROU HEXAGONAL |
| 7 | 1000094774 | | 4,00 ST | SCHLAUCHBINDER | HOSE STRAP | BOUTISSE DE FLEXIBLE |
| 8 | 1000161669 | | 1,00 M | KRAFTSTOFFSCHLAUCH | FUEL LINE | TUYAU FLEXIBLE DE COMBUSTIBLE |
| 9 | 1000161669 | | 1,00 M | KRAFTSTOFFSCHLAUCH | FUEL LINE | TUYAU FLEXIBLE DE COMBUSTIBLE |
| 10 | 1000015364 | | 3,00 ST | 6KT-SCHRAUBE | HEX SCREW | VIS À TÊTE HEXAGONALE |
| 11 | 1000015438 | | 6,00 ST | SCHNORRSICHERUNG | LOCK WASHER | RONDELLE FREIN |
| 12 | 1000015408 | | 3,00 ST | 6KT-MUTTER | HEXAGON NUT | ÉCROU HEXAGONAL |
| 13 | 1000062328 | | 1,00 ST | RINGSTUTZEN | EYE PIECE | TUBULURE ANNULAIRE |
| 14 | 1000062329 | | 2,00 ST | HOHLSCHRAUBE | BANJO BOLT | RACCORD BANJO |
| 15 | 1000019580 | | 2,00 ST | DICHTRING | SEAL RING | BAGUE D'ÉTANCHÉITÉ |
| 16 | 1000085676 | | 7,00 ST | DICHTRING | SEAL RING | BAGUE D'ÉTANCHÉITÉ |
| 17 | 1000062472 | | 1,00 ST | SCHRAUBSTUTZEN | SCREWEND PIECE | TUBULURE À VIS |
| 18 | 1000001587 | | 1,00 ST | BREMSLICHTSCHALTER | BRAKE LIGHT SWITCH | INTERRUPTEUR DE LA LUMIÈRE DE FREIN |
| 19 | 1000085134 | | 2,00 ST | VERSCHRAUBUNG | SCREW JOINT | RACCORD |
| 20 | 1000000542 | | 2,00 ST | VERSCHRAUBUNG | SCREW JOINT | RACCORD |
| 21 | 1000001600 | | 1,00 ST | RINGSTUTZEN | EYE PIECE | TUBULURE ANNULAIRE |



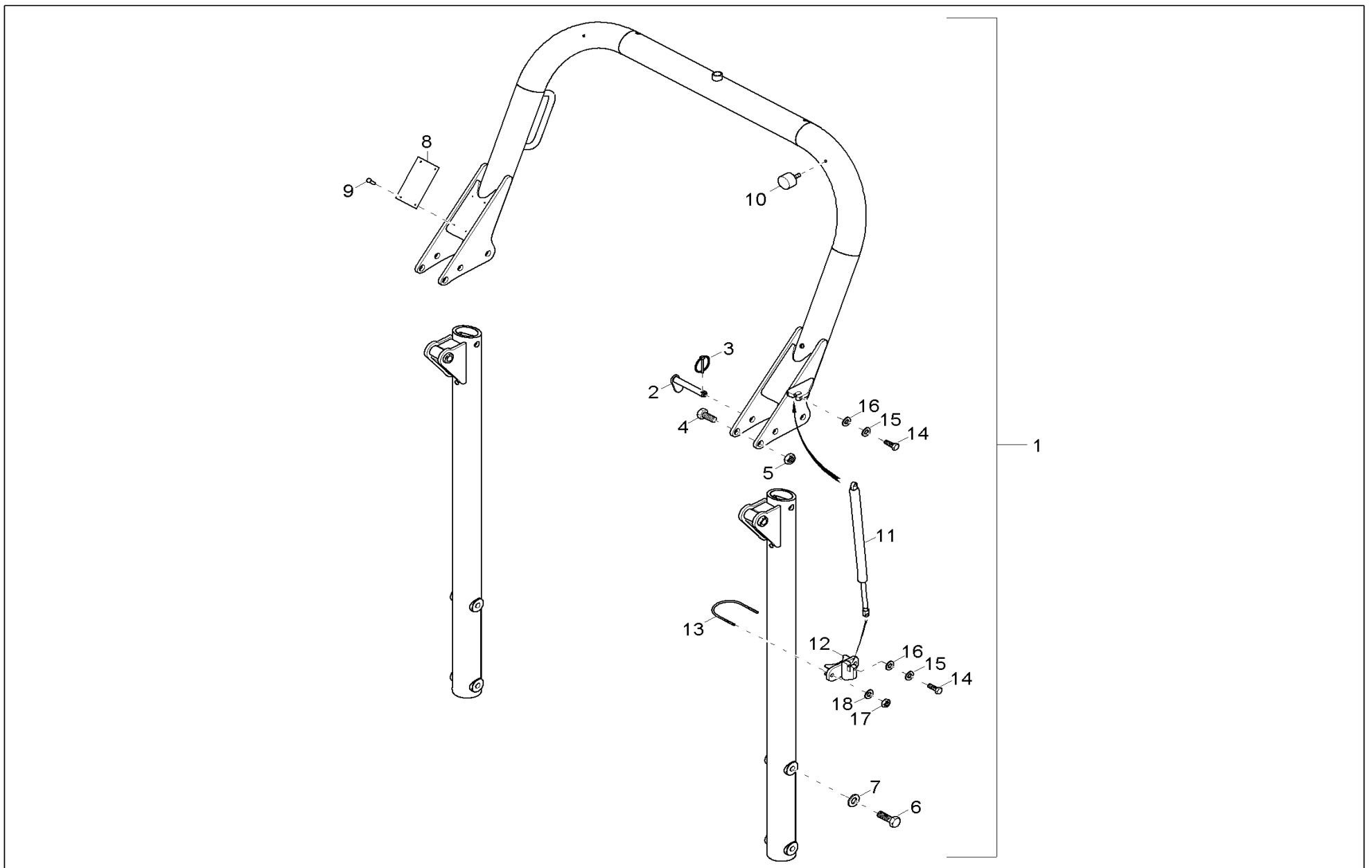
| Pos | Art.-Nr. | Anm. | QTY | BEZEICHNUNG | PART NAME | DESIGNATION |
|-----|------------|------|---------|---------------------------|------------------------|------------------------------------|
| 1 | 1000101485 | | 1,00 ST | LENKZYLINDER | STEERING CYLINDER | CYLINDRE DE DIRECTION |
| 2 | 1000113426 | | 1,00 ST | DICHTSATZ LENKZYLINDER | SEAL KIT STEERING CYL. | POCHETTE JOINTS CYLINDRE DIRECTION |
| 3 | 1000113423 | | 2,00 ST | GELENKLAGER | PIVOTING BEARING | PALIER ARTICULÉ |
| 4 | 1000113427 | | 1,00 ST | KOLBENSTANGE | PISTON ROD | TIGE DE VÉRIN |
| 5 | 1000015374 | | 1,00 ST | GEWINDESTIFT | THREAD PIN | VIS ARRÊTOIR |
| 6 | 1000113424 | | 1,00 ST | KOLBEN | PISTON | PISTON |
| 7 | 1000113425 | | 1,00 ST | FÜHRUNGSBÜCHSE F. 6058010 | GUIDE BUSH | BOÎTE DE GUIDAGE |
| 8 | 1000085053 | | 2,00 ST | VERSCHRAUBUNG | SCREW JOINT | RACCORD |
| 9 | 1000015476 | | 2,00 ST | SCHMIERNIPPEL | GREASE NIPPLE | GRAISSEUR |
| 10 | 1000079457 | | 2,00 ST | SCHUTZKAPPE | PROTECTING CAP | CAPOT DE PROTECTION |



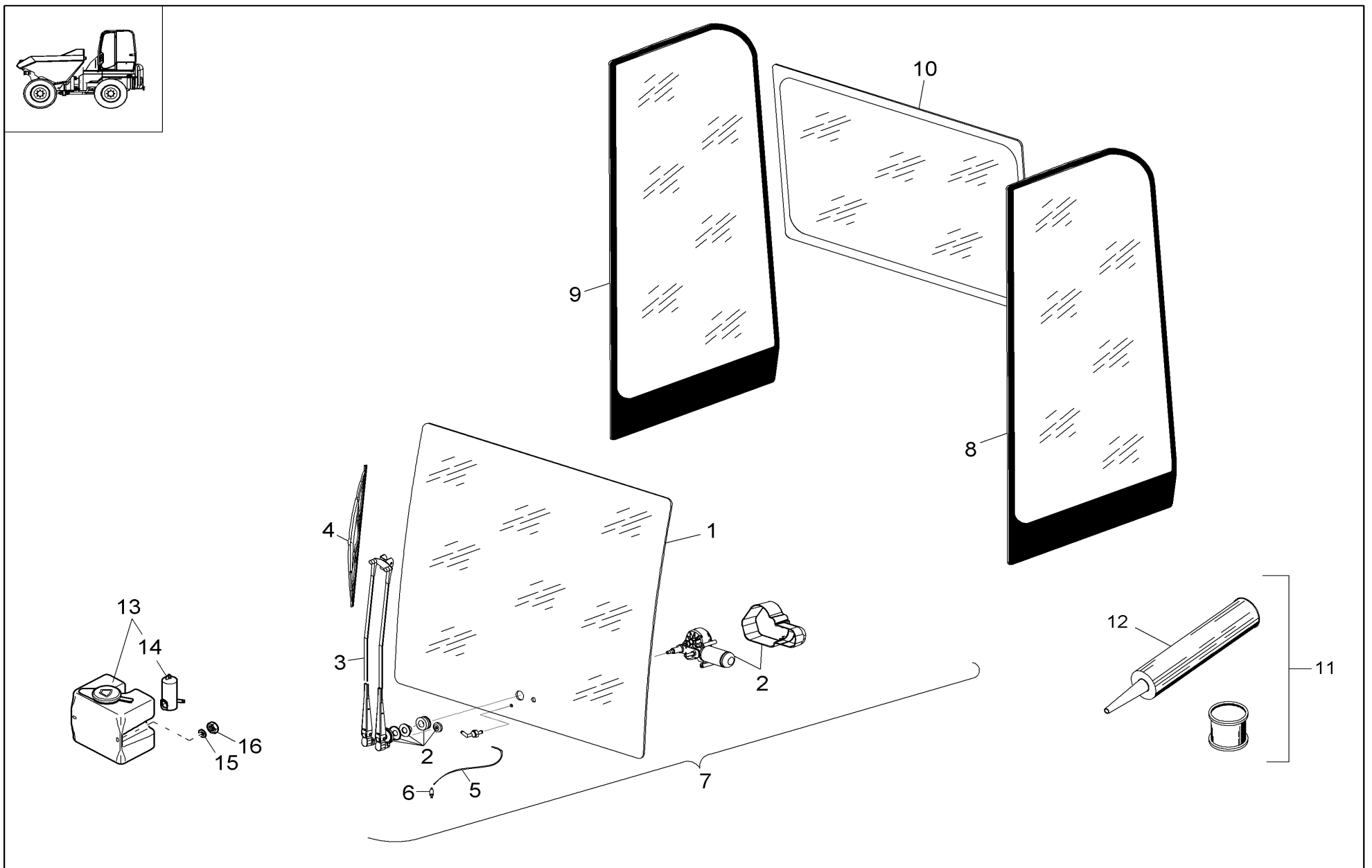
| Pos | Art.-Nr. | Anm. | QTY | BEZEICHNUNG | PART NAME | DESIGNATION |
|-----|------------|------|---------|-------------------|-----------|----------------------------|
| 1 | 1000109443 | | 1,00 ST | HYDRAULIKSCHLAUCH | HP HOSE | TUYAU FLEXIBLE HYDRAULIQUE |
| 2 | 1000109444 | | 1,00 ST | HYDRAULIKSCHLAUCH | HP HOSE | TUYAU FLEXIBLE HYDRAULIQUE |
| 3 | 1000109425 | | 1,00 ST | HYDRAULIKSCHLAUCH | HP HOSE | TUYAU FLEXIBLE HYDRAULIQUE |
| 4 | 1000108345 | | 1,00 ST | HYDRAULIKSCHLAUCH | HP HOSE | TUYAU FLEXIBLE HYDRAULIQUE |



| Pos | Art.-Nr. | Anm. | QTY | BEZEICHNUNG | PART NAME | DESIGNATION |
|------|------------|------|---------|---------------------|-----------------------|--------------------|
| 1 | 1000115002 | | 1,00 ST | KABELBAUM MOTOR | WIRING HARNESS ENGINE | FAISCEAU DU MOTEUR |
| B1 | 1000027435 | | 3,00 ST | ISOLIERHÜLSE | INSULATING SLEEVE | ISOLATION |
| G1 | 1000096859 | | 1,00 ST | KABELSCHUH | CABLE LUG | COSSE |
| G1.1 | 1000050027 | | 1,00 ST | KABELSCHUH | CABLE LUG | COSSE DE MASSE |
| GND | 1000107757 | | 1,00 ST | KABELSCHUH | CABLE LUG | COSSE DE MASSE |
| K5 | 1000027435 | | 2,00 ST | ISOLIERHÜLSE | INSULATING SLEEVE | ISOLATION |
| M1 | 1000027435 | | 1,00 ST | ISOLIERHÜLSE | INSULATING SLEEVE | ISOLATION |
| M1.1 | 1000107757 | | 1,00 ST | KABELSCHUH | CABLE LUG | COSSE DE MASSE |
| M9 | 1000081808 | | 1,00 ST | BUCHSENGEHÄUSE | BUSHING HOUSING | CONNEXION |
| S2 | 1000081808 | | 1,00 ST | BUCHSENGEHÄUSE | BUSHING HOUSING | CONNEXION |
| S3 | 1000081808 | | 1,00 ST | BUCHSENGEHÄUSE | BUSHING HOUSING | CONNEXION |
| S5 | 1000027359 | | 1,00 ST | STECKERGEHÄUSE | PLUG HOUSING | PRISE DE CONNEXION |
| X1 | 1000095335 | | 1,00 ST | FLACHSTECKERGEHÄUSE | PLUG HOUSING | PRISE DE CONNEXION |
| X10 | 1000027435 | | 1,00 ST | ISOLIERHÜLSE | INSULATING SLEEVE | ISOLATION |
| X2 | 1000100618 | | 1,00 ST | STIFTGEHÄUSE | PIN HOUSING | PRISE DE CONNEXION |
| X3 | 1000095338 | | 1,00 ST | FLACHSTECKERGEHÄUSE | PLUG HOUSING | PRISE DE CONNEXION |
| Y1 | 1000050027 | | 1,00 ST | KABELSCHUH | CABLE LUG | COSSE DE MASSE |
| Y4 | 1000027359 | | 1,00 ST | STECKERGEHÄUSE | PLUG HOUSING | PRISE DE CONNEXION |
| Y5 | 1000027359 | | 1,00 ST | STECKERGEHÄUSE | PLUG HOUSING | PRISE DE CONNEXION |



| Pos | Art.-Nr. | Anm. | QTY | BEZEICHNUNG | PART NAME | DESIGNATION |
|-----|------------|------|---------|---------------------------|----------------------------|----------------------------|
| 1 | 1000113513 | | 1,00 ST | ÜBERROLLBÜGEL 6001 KOMPL. | ROLL-BAR COMPLETE KIT 6001 | ARCEAU DE SÉCURITÉ COMPLET |
| 2 | 1000104081 | | 2,00 ST | BOLZEN ROPS | PIN | AXE |
| 3 | 1000015457 | | 2,00 ST | KLAPPSTECKER | COTTER PIN | GOUPILLE |
| 4 | 1000082522 | | 2,00 ST | 6KT-SCHRAUBE | HEX SCREW | VIS À TÊTE HEXAGONALE |
| 5 | 1000018412 | | 2,00 ST | 6KT-MUTTER | HEXAGON NUT | ÉCROU HEXAGONAL |
| 6 | 1000082406 | | 4,00 ST | ZYLINDERSCHRAUBE | CHEESE HEAD SCREW | VIS A TETE CYLINDRIQUE |
| 7 | 1000094973 | | 4,00 ST | NORD-LOCK SCHEIBE | NORTHLOCK DISC | RONDELLE ARRÊTOIR |
| 8 | 1000132297 | | 1,00 ST | TYPENSCHILD | TYPE PLATE | PANNEAU-TYPE |
| 9 | 1000082698 | | 4,00 ST | BLINDNIETE | BLIND RIVET | RIVET AVEUGLE |
| 10 | 1000068315 | | 2,00 ST | SCHWINGMETALLPUFFER | SWING METAL BUFFER | BUTOIR DE MÉTALL VIBRANT |
| 11 | 1000104156 | | 1,00 ST | GASFEDER | GAS STRUT | RESSORT DE GAZ |
| 12 | 1000104112 | | 1,00 ST | ANLENKTEIL | LINKING | LIAISON |
| 13 | 1000104116 | | 1,00 ST | BÜGEL | HOLDER | TENDEUR À COULISSE |
| 14 | 1000018447 | | 2,00 ST | 6KT-SCHRAUBE | HEX SCREW | VIS À TÊTE HEXAGONALE |
| 15 | 1000015437 | | 2,00 ST | SCHNORRSICHERUNG | LOCK WASHER | RONDELLE FREIN |
| 16 | 1000015448 | | 2,00 ST | SCHEIBE | WASHER | RONDELLE |
| 17 | 1000015408 | | 2,00 ST | 6KT-MUTTER | HEXAGON NUT | ÉCROU HEXAGONAL |
| 18 | 1000094974 | | 2,00 ST | SCHEIBE | WASHER | RONDELLE |



| Pos | Art.-Nr. | Anm. | QTY | BEZEICHNUNG | PART NAME | DESIGNATION |
|-----|------------|------|---------|--------------------------------|-------------------------------|--------------------------|
| 1 | 1000168294 | | 1,00 ST | FRONTSCHIEBE | FRONT WINDOW | PARE-BRISE |
| 2 | 1000178031 | | 1,00 ST | MOTOR | ENGINE | MOTEUR |
| 3 | 1000178029 | | 1,00 ST | WISCHERARM | WIPER ARM | PORTE BALAI ESSUIE GLACE |
| 4 | 1000165450 | | 1,00 ST | WISCHERBLATT | WIPER BLADE | BALAI D'ESSUIE-GLACE |
| 5 | 1000116971 | | 4,00 M | WASSERSCHLAUCH | WATER HOSE | TUYAU FLEXIBLE D'EAU |
| 6 | 1000068914 | | 1,00 ST | RÜCKSCHLAGVENTIL | NON RETURN VALVE | CLAPET ANTIRETOUR |
| 7 | 1000178032 | | 1,00 ST | FRONTSCHIEBE | FRONT WINDOW | PARE-BRISE |
| 8 | 1000168295 | | 1,00 ST | SEITENSCHIEBE | SIDE WINDOW | FENÊTRE LATÉRALE |
| 9 | 1000168298 | | 1,00 ST | SEITENSCHIEBE | SIDE WINDOW | FENÊTRE LATÉRALE |
| 10 | 1000112043 | | 1,00 ST | HECKSCHIEBE | REAR WINDOW | LUNETTE |
| 11 | 1000001352 | | 1,00 ST | KLEBEKARTUSCHE | GLUE CARTRIDGE | CARTOUCHE COLLANT |
| 12 | 1000001353 | | 1,00 ST | KLEBERGARNITUR | GLUE KIT | COLLE KIT |
| 13 | 1000110420 | | 1,00 ST | WASCHBEHÄLTER INKL. PUMPE *NEU | WINDSCREEN WASHING INCL. PUMP | MÉCANISME DE LAVE GLACES |
| 14 | 1000125144 | | 1,00 ST | PUMPE FÜR WASCHBEHÄLTER | PUMP WASH TANK | POMPE DE LAVE GLACES |
| 15 | 1000094966 | | 2,00 ST | SCHEIBE | WASHER | RONDELLE |
| 16 | 1000085588 | | 2,00 ST | 6KT-MUTTER | HEXAGON NUT | ÉCROU HEXAGONAL |

CLICK HERE TO **DOWNLOAD** THE COMPLETE MANUAL

- Thank you very much for reading the preview of the manual.
- You can download the complete manual from: www.heydownloads.com by clicking the link below



- Please note: If there is no response to CLICKING the link, please download this PDF first and then click on it.

CLICK HERE TO **DOWNLOAD** THE COMPLETE MANUAL