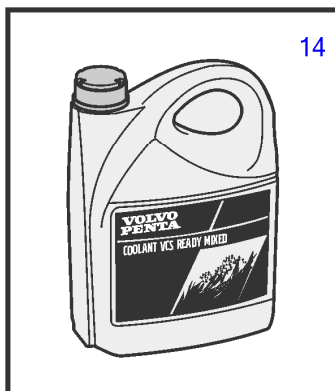
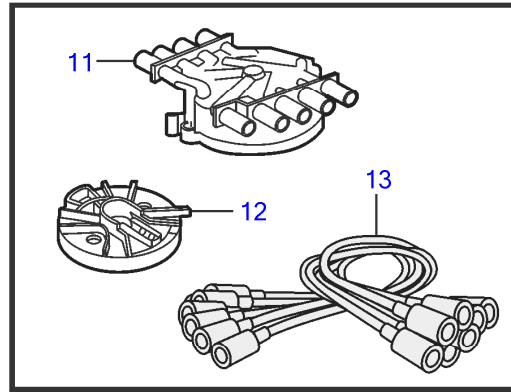
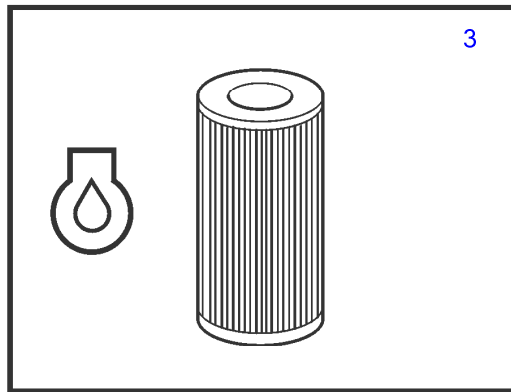
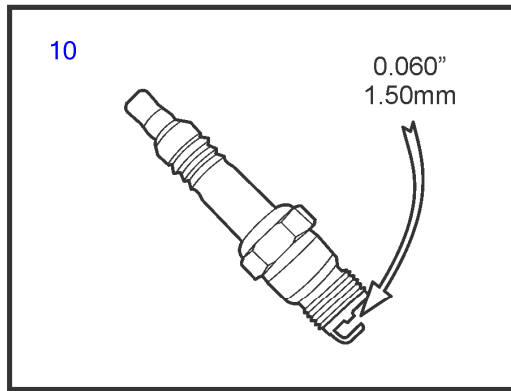
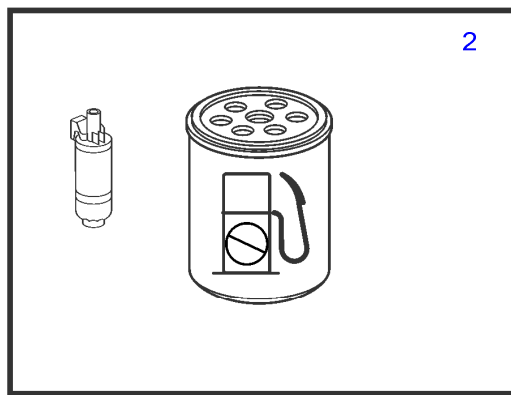
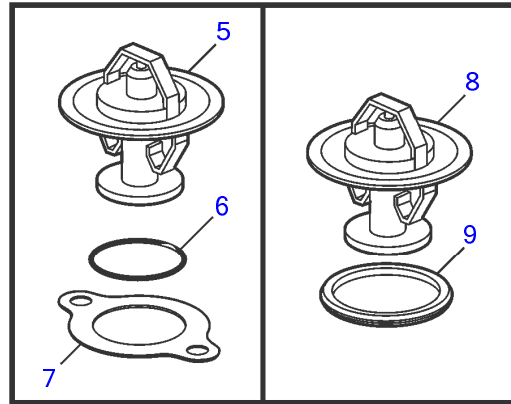
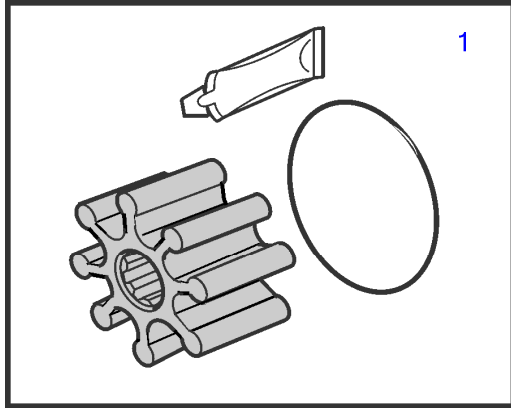


V8-225-CE-B, V8-300-CE-B, V8-320-CE-B



29046

CLICK HERE TO **DOWNLOAD** THE COMPLETE MANUAL

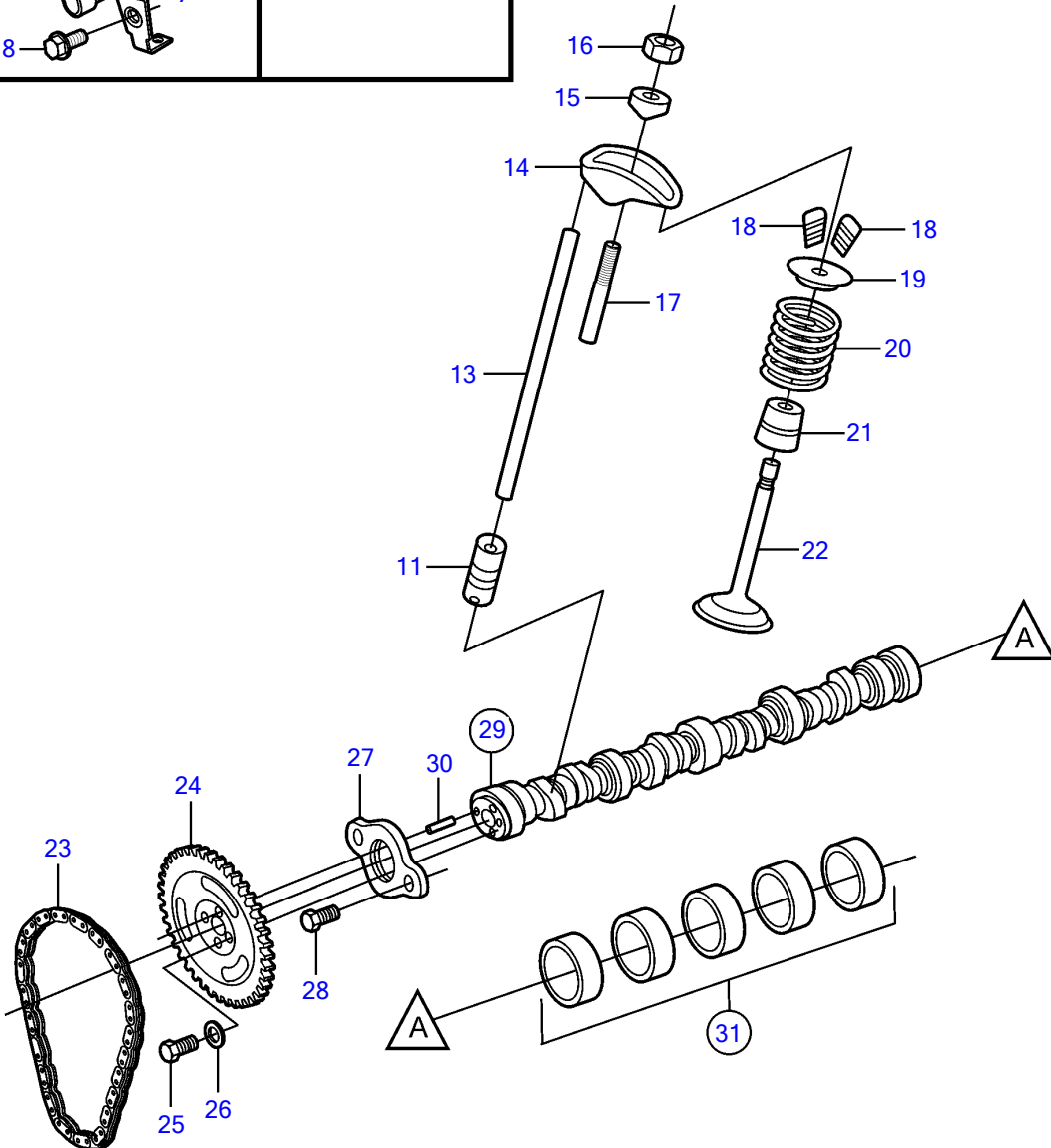
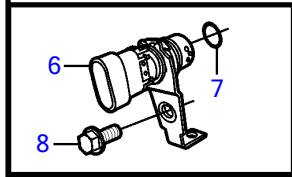
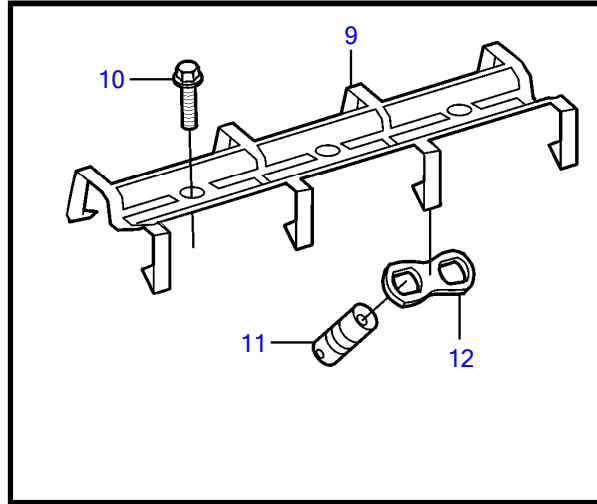
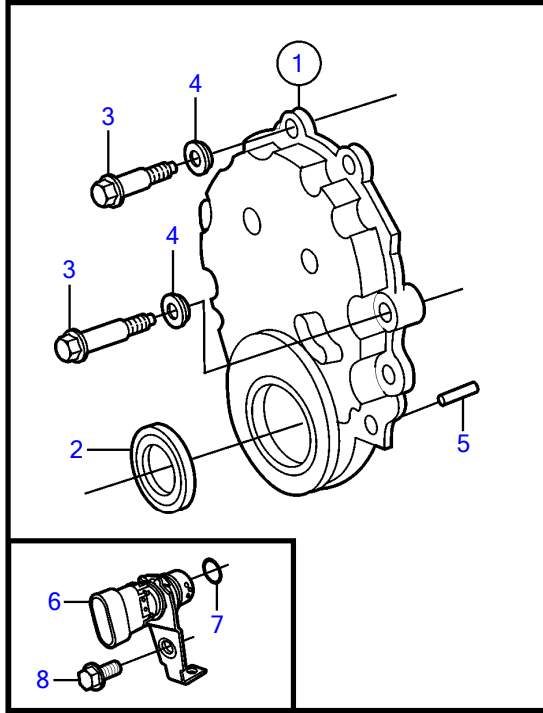
- Thank you very much for reading the preview of the manual.
- You can download the complete manual from: www.heydownloads.com by clicking the link below



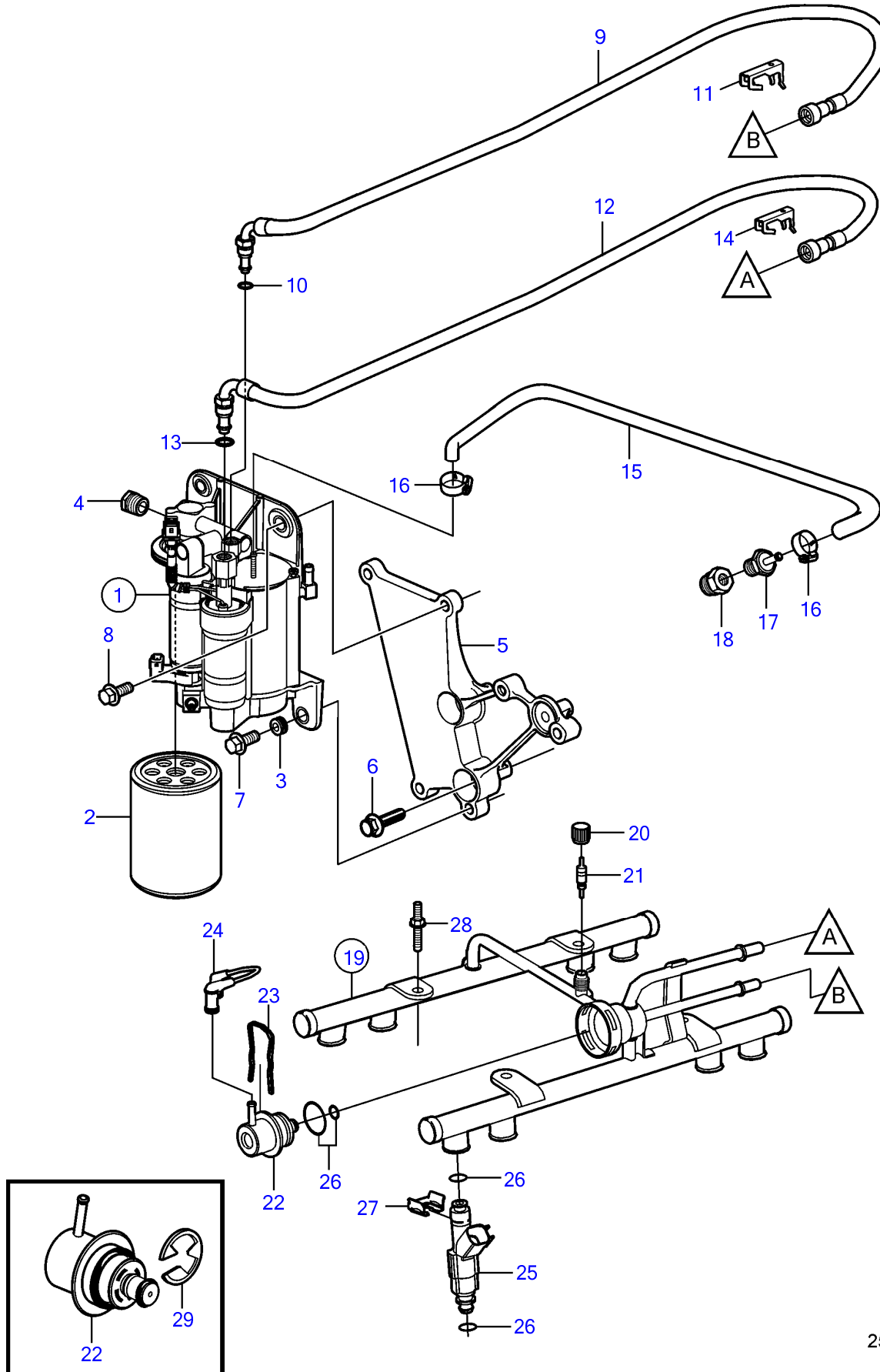
- Please note: If there is no response to CLICKING the link, please download this PDF first and then click on it.

CLICK HERE TO **DOWNLOAD** THE COMPLETE MANUAL

V8-320-CE-B

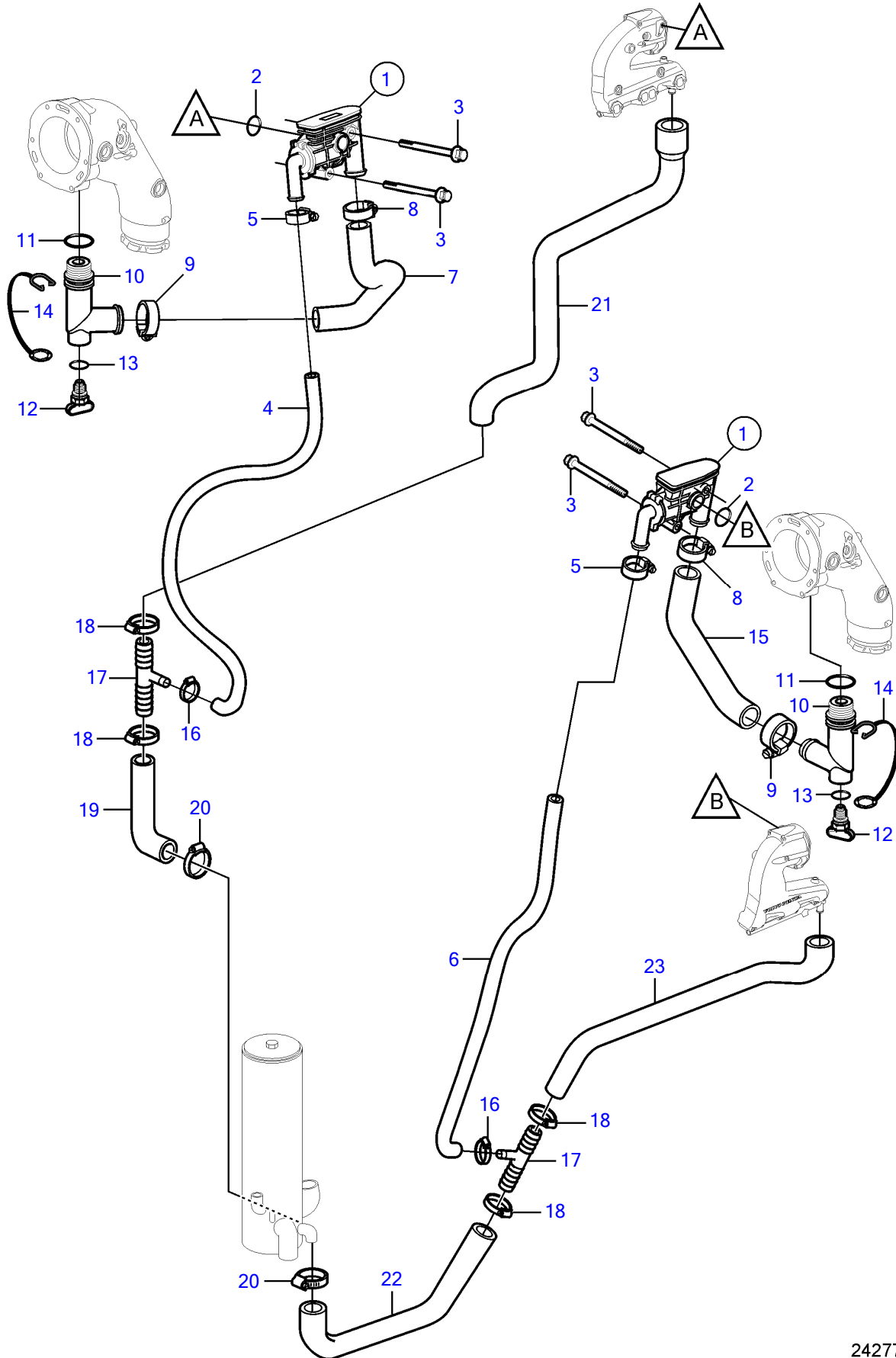


V8-225-CE-B, V8-300-CE-B, V8-320-CE-B



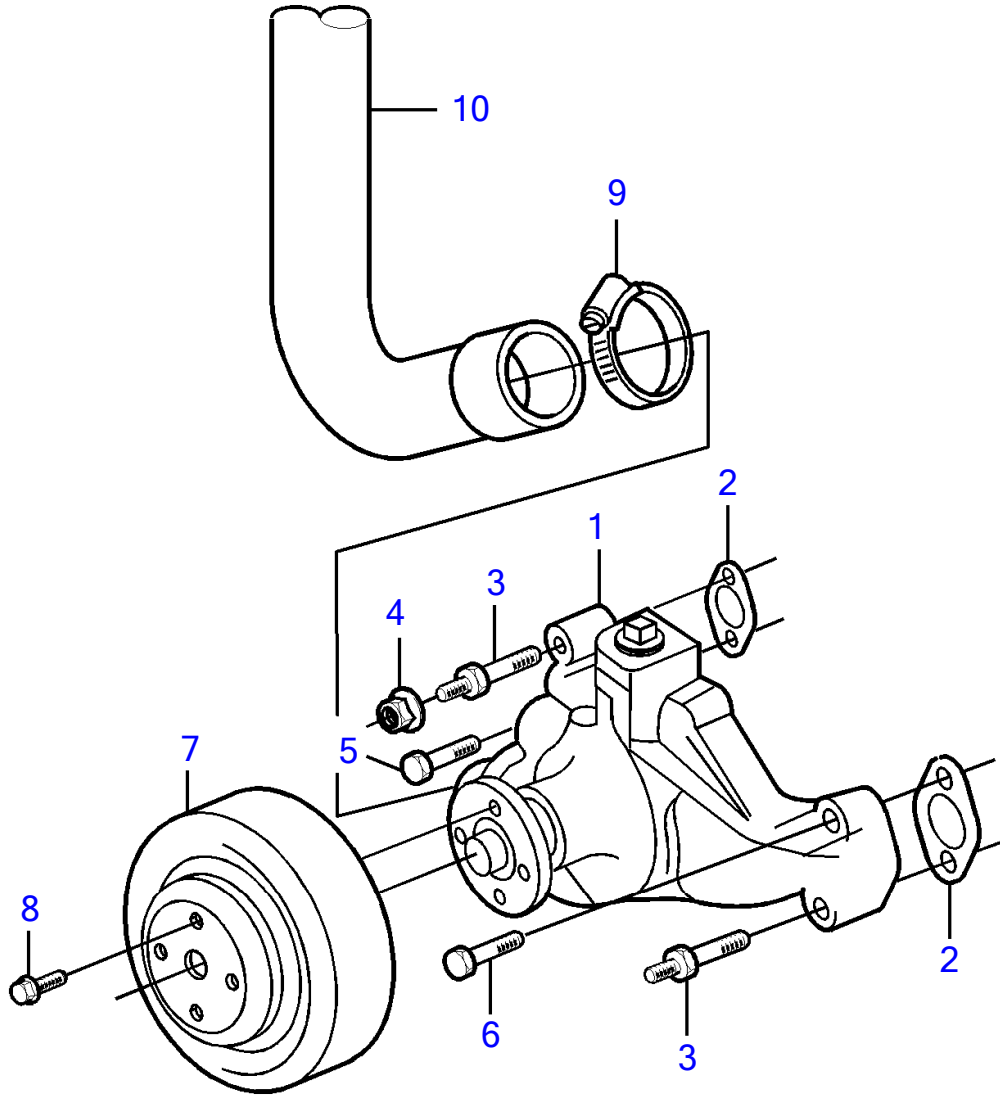
25360

V8-225-CE-B, V8-300-CE-B, V8-320-CE-B

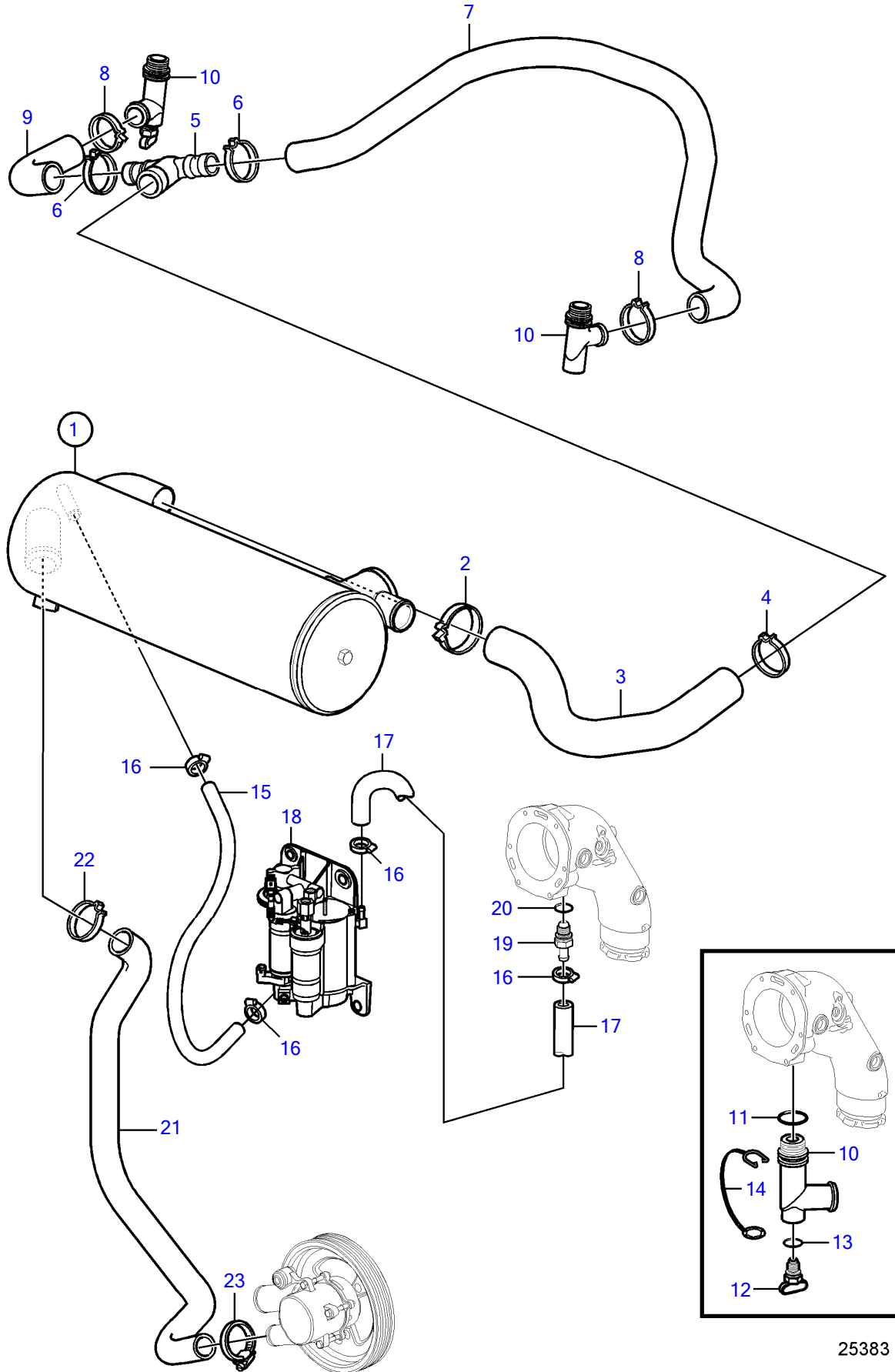


24277

V8-225-CE-B, V8-300-CE-B, V8-320-CE-B

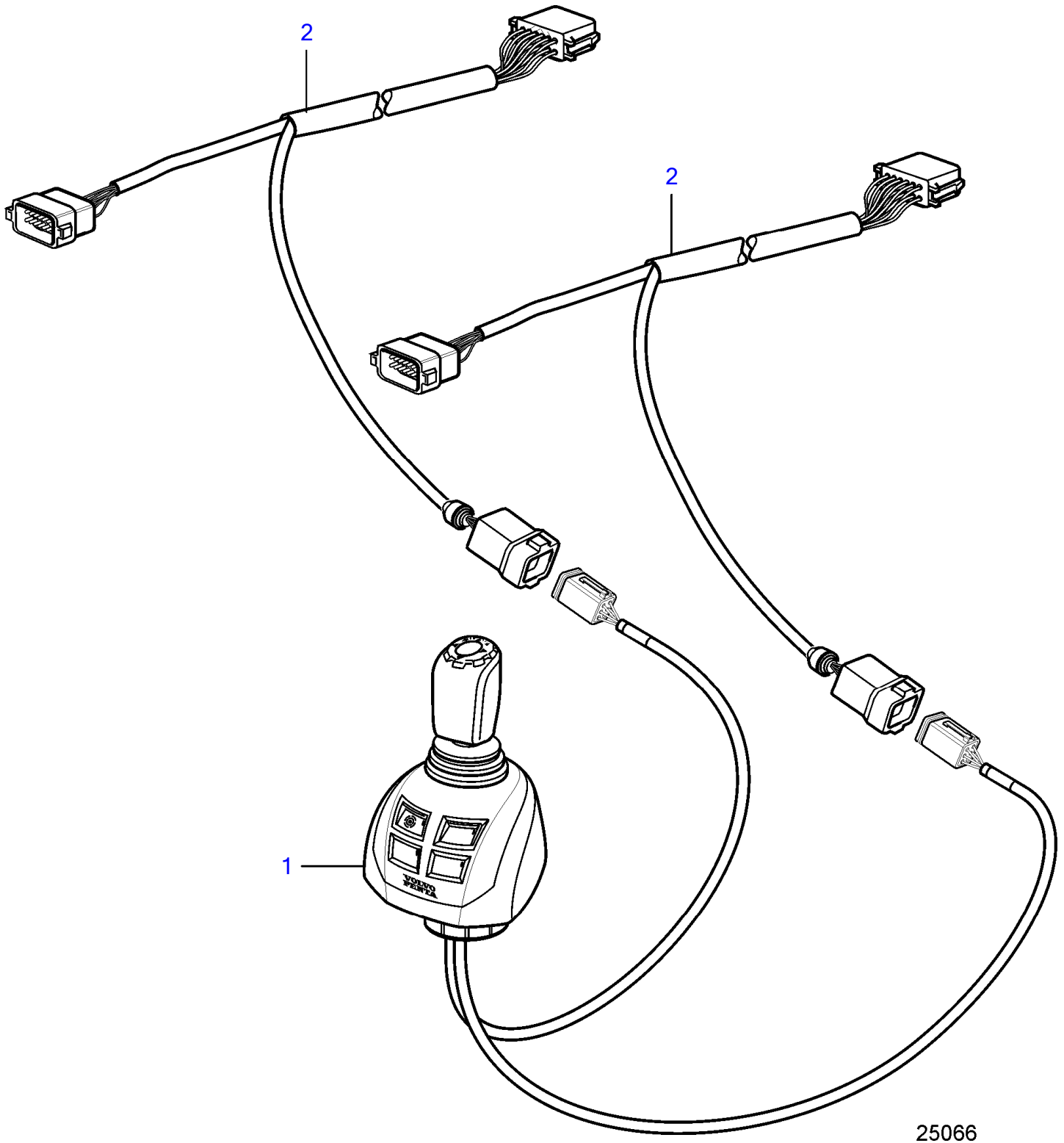


V8-225-CE-B, V8-300-CE-B, V8-320-CE-B

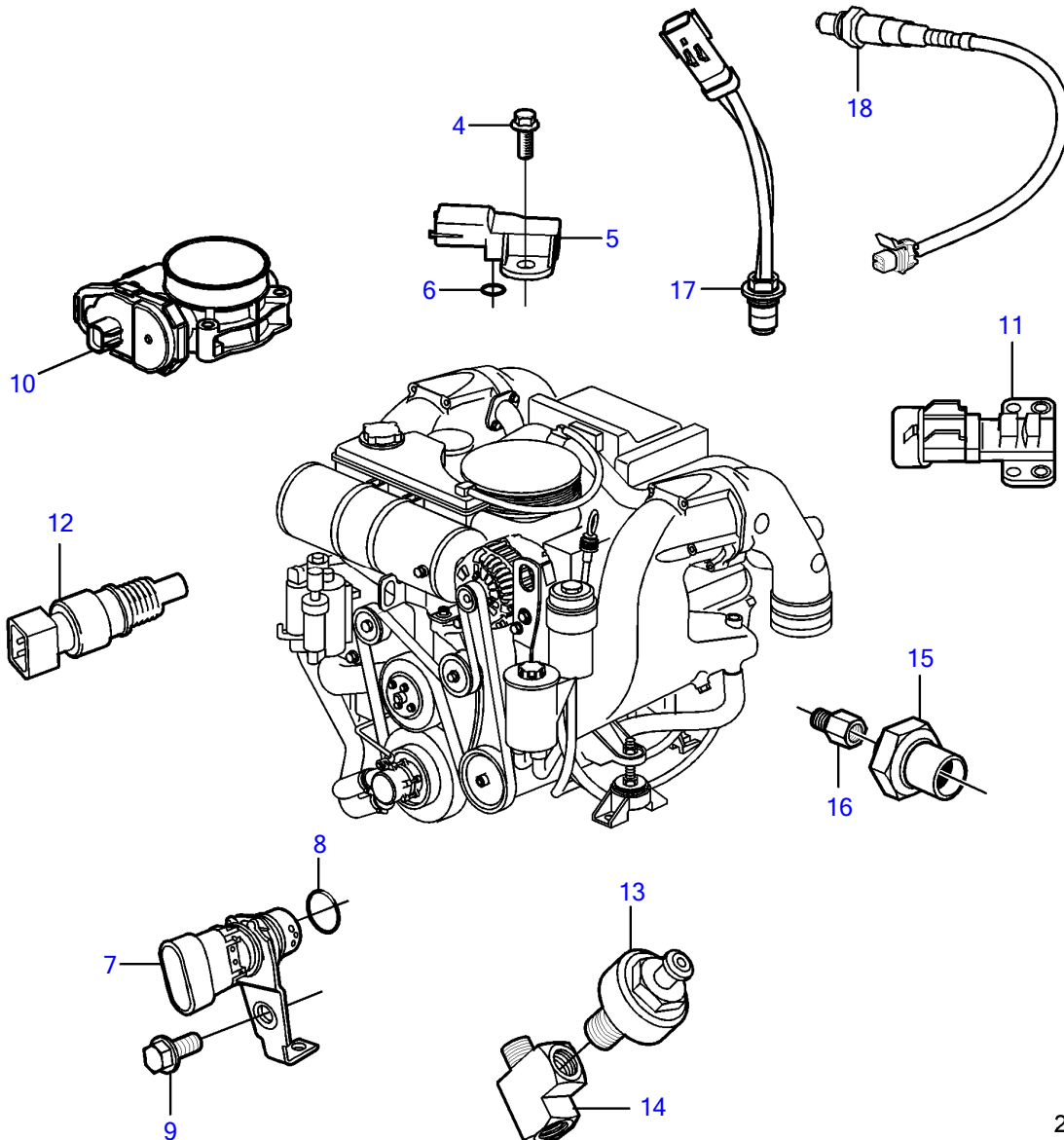
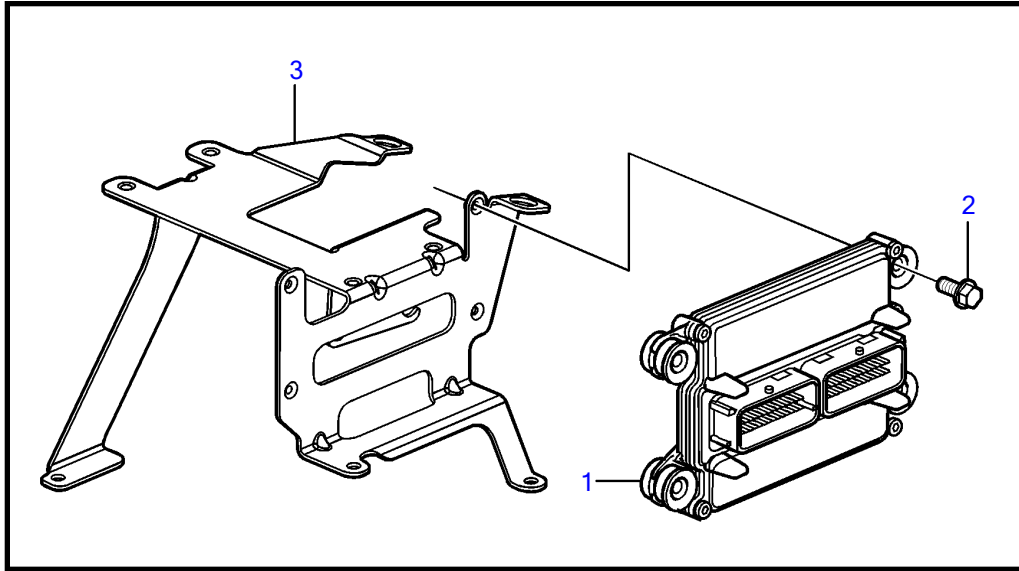


25383

V8-225-CE-B, V8-300-CE-B, V8-320-CE-B



V8-320-CE-B



25404

CLICK HERE TO **DOWNLOAD** THE COMPLETE MANUAL

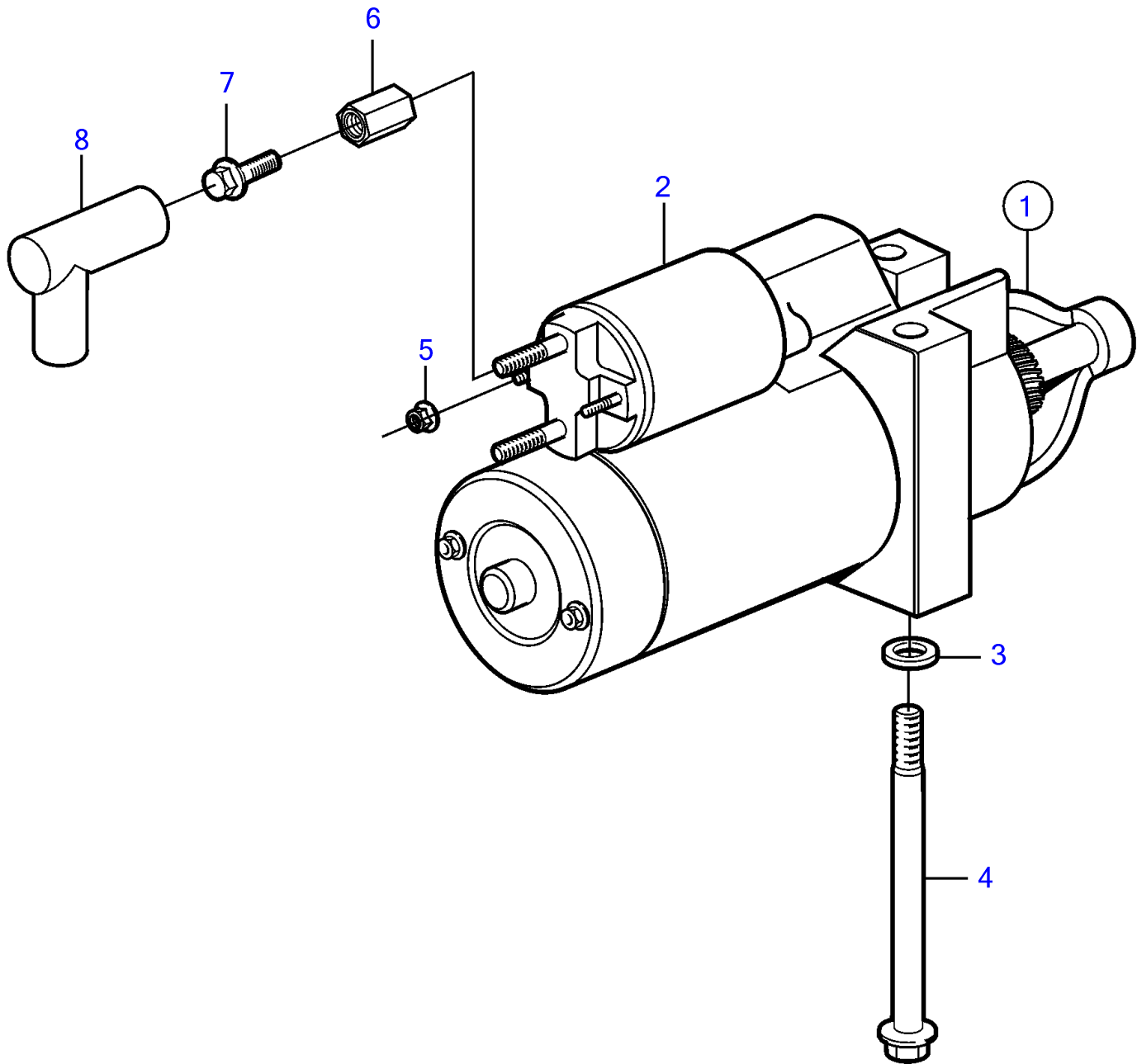
- Thank you very much for reading the preview of the manual.
- You can download the complete manual from: www.heydownloads.com by clicking the link below



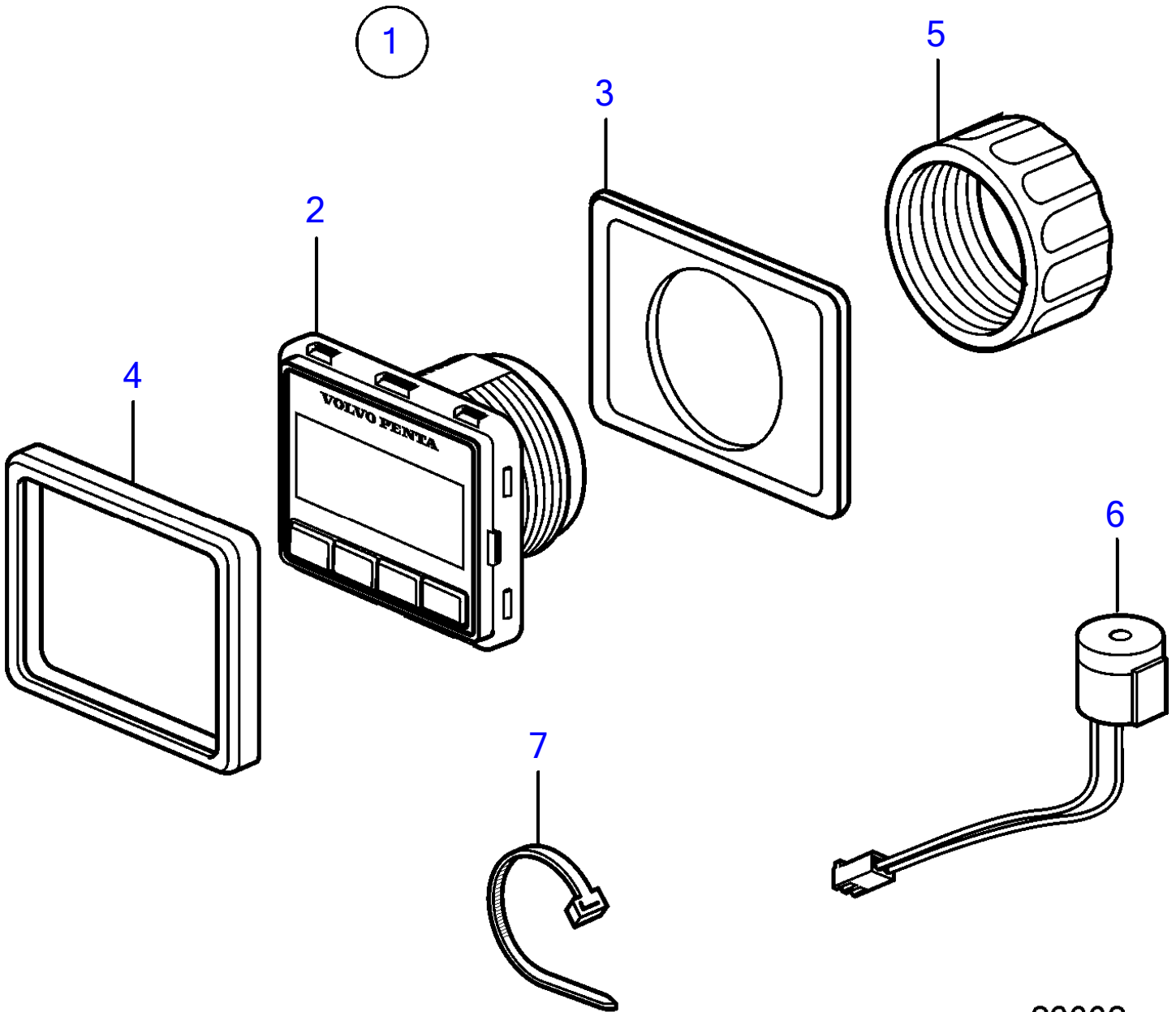
- Please note: If there is no response to CLICKING the link, please download this PDF first and then click on it.

CLICK HERE TO **DOWNLOAD** THE COMPLETE MANUAL

V8-225-CE-B, V8-300-CE-B, V8-320-CE-B

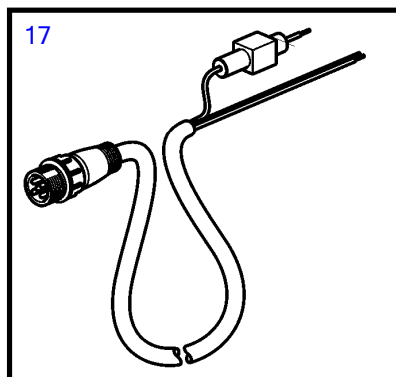
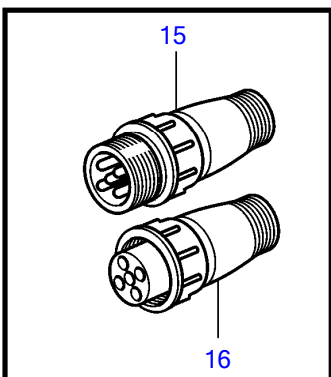
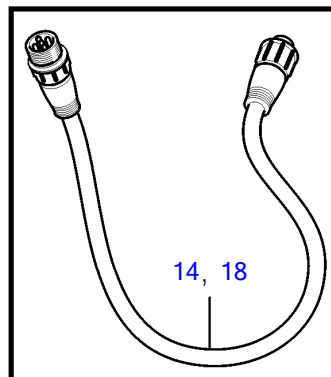
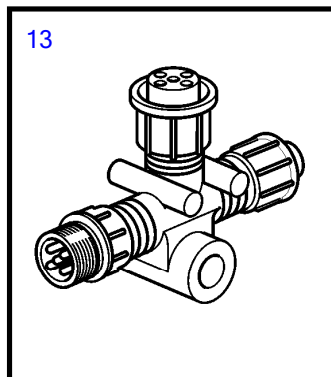
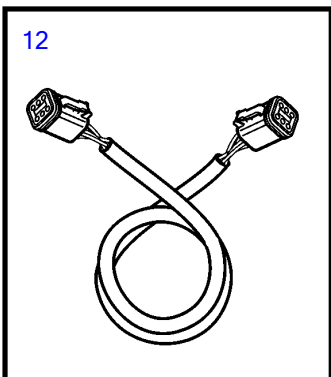
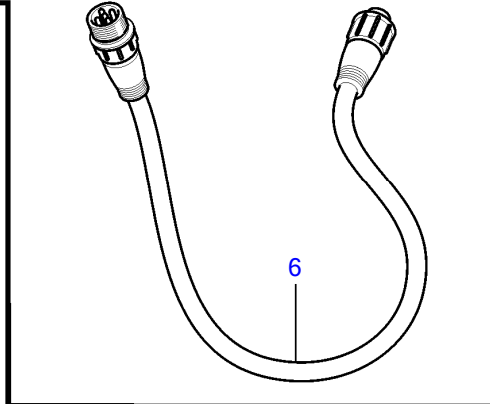
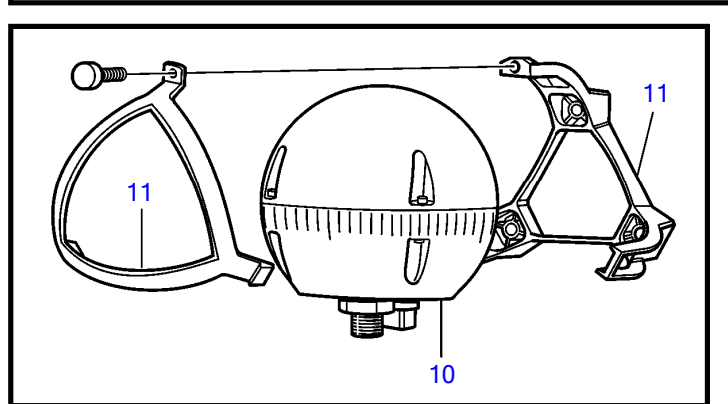
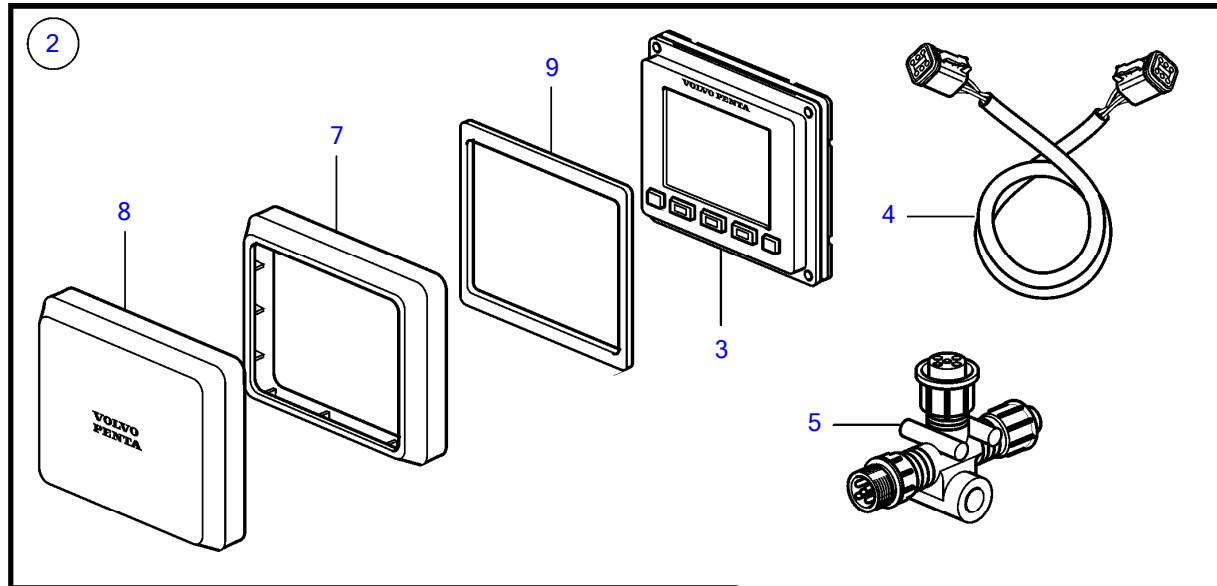


V8-225-CE-B, V8-300-CE-B, V8-320-CE-B



26332

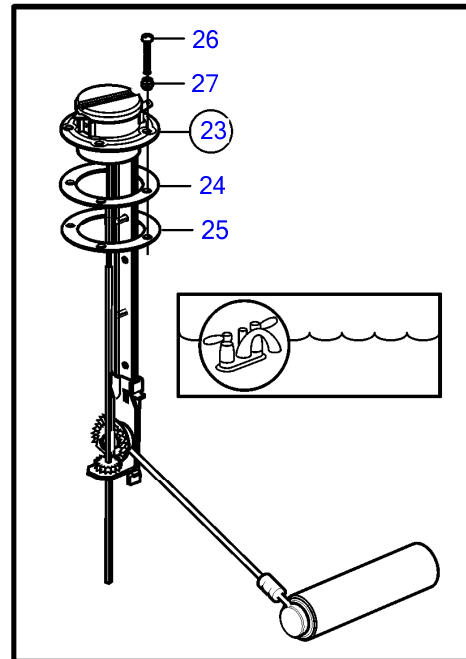
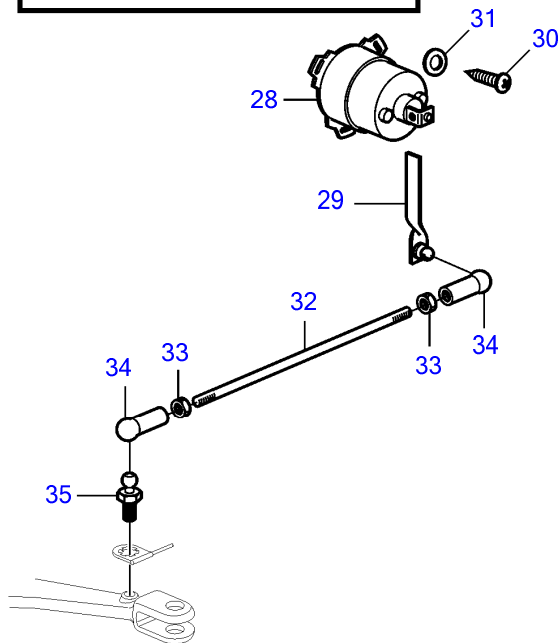
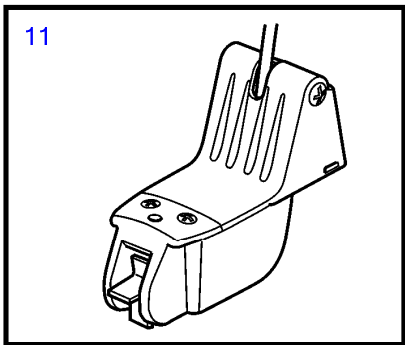
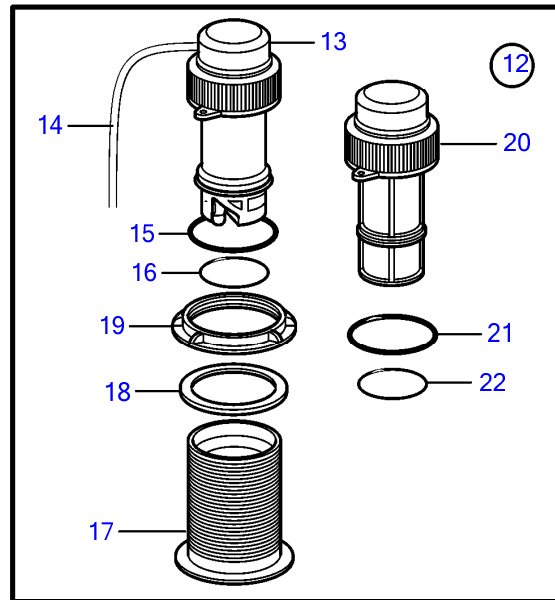
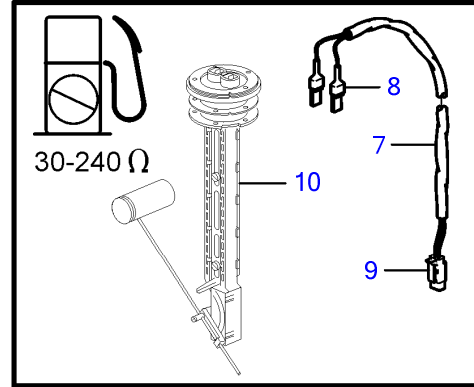
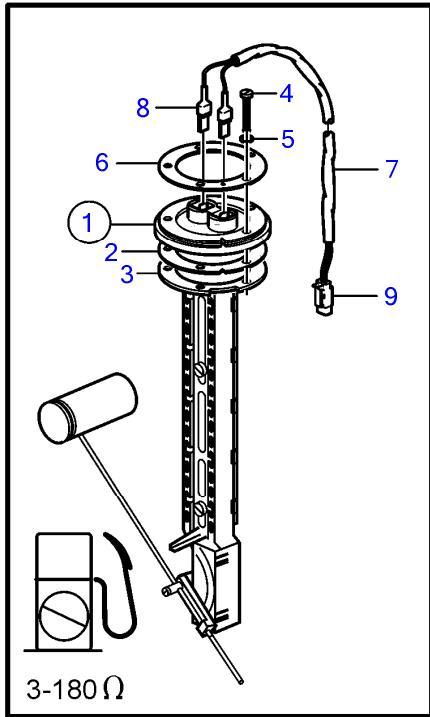
V8-300-CE-B, V8-320-CE-B



1

26379

V8-225-CE-B, V8-300-CE-B, V8-320-CE-B



24017

REF	DESCRIPTION	SEE SEC.
200	Engine Information, General	200

DESCRIPTION	SEE SEC.	NOTES
Fuel System	54162653	V8-225-CE-B, V8-300-CE-B, V8-320-CE-B

DESCRIPTION	SEE SEC.	NOTES
Electronic Control for Side Installation, EVC-E	54162291	V8-225-CE-B, V8-300-CE-B, V8-320-CE-B
Electronic Control with Trim, Sterndrive, EVC-E, Single Installation	54162163	V8-225-CE-B, V8-300-CE-B, V8-320-CE-B
Electronic Control with Trim, Sterndrive, EVC-E, Twin Installation	54162548	V8-225-CE-B, V8-300-CE-B, V8-320-CE-B
Electronic Control, Palm Beach, EVC	54161966	V8-225-CE-B, V8-300-CE-B, V8-320-CE-B
Joystick, AQ, EVC-E	54162303	V8-225-CE-B, V8-300-CE-B, V8-320-CE-B
Safety Lanyard	54161204	V8-225-CE-B, V8-300-CE-B, V8-320-CE-B
Stand-alone HCU and Cables	54161365	V8-225-CE-B, V8-300-CE-B, V8-320-CE-B

DESCRIPTION	SEE SEC.	NOTES
e-Key, EVC-E	54162203	V8-225-CE-B, V8-300-CE-B, V8-320-CE-B
Key Switch and Interface	54161355	V8-225-CE-B, V8-300-CE-B, V8-320-CE-B

CLICK HERE TO **DOWNLOAD** THE COMPLETE MANUAL

- Thank you very much for reading the preview of the manual.
- You can download the complete manual from: www.heydownloads.com by clicking the link below



- Please note: If there is no response to CLICKING the link, please download this PDF first and then click on it.

CLICK HERE TO **DOWNLOAD** THE COMPLETE MANUAL