

8634

CLICK HERE TO **DOWNLOAD** THE COMPLETE MANUAL

- Thank you very much for reading the preview of the manual.
- You can download the complete manual from: www.heydownloads.com by clicking the link below



- Please note: If there is no response to CLICKING the link, please download this PDF first and then click on it.

CLICK HERE TO **DOWNLOAD** THE COMPLETE MANUAL

| REF | PART NO. | QTY | DESCRIPTION | NOTES |
|-----|-----------|-----|----------------------|-------------------|
| 1 | (846285) | 2 | Bracket | |
| 2 | 846284 | 2 | Washer | |
| 3 | 970948 | 2 | Hexagon screw | |
| 4 | 941908 | 2 | Spring washer | |
| 5 | (1587713) | 2 | Bracket | |
| 6 | 1587691 | 1 | Battery box | |
| 7 | 971072 | 8 | Hexagon nut | |
| 8 | 940280 | 8 | Spring washer | |
| 9 | 1587698 | 1 | Main switch | |
| 10 | (1587695) | 1 | Bracket | |
| 11 | 955272 | 4 | Hexagon screw | |
| 12 | 946035 | 4 | Lock nut | |
| 13 | 1587017 | 1 | Main switch | |
| 14 | 1582293 | 1 | Bellows | |
| 15 | 1581000 | 1 | Pin | |
| 16 | 961970 | 2 | Plug | |
| 17 | 1587694 | 1 | Cover | |
| 18 | (942936) | X | Electric cable | 70mm ² |
| 19 | | X | cables and terminals | See group 3 |

| REF | PART NO. | QTY | DESCRIPTION | NOTES |
|-----|----------|-----|------------------------|-------------------------|
| 1 | (876189) | 6 | Cylinder liner kit | |
| 2 | | 6 | • cylinder liner | |
| 3 | 271155 | 6 | • Sealing ring kit | SN-XXXXXXXXXX/136970 |
| | 270950 | 6 | • Gasket kit | SN XXXXXXXXXXXX/136971- |
| 4 | | 6 | • • seal ring | |
| 5 | | 12 | • • seal ring | |
| 6 | | 6 | • • seal ring | |
| 7 | | 6 | • piston | |
| 8 | 270603 | 6 | • Piston ring kit | |
| 9 | | 6 | • • oil ring | |
| | | 6 | • • expander ring | |
| 10 | | 6 | • • compression ring | |
| 11 | | 6 | • • compression ring | |
| 12 | 470842 | 6 | • Piston pin | |
| 13 | 423124 | 12 | • Snap ring | |
| 14 | (846864) | 6 | Connecting rod | |
| 15 | 470434 | 6 | • Bushing | |
| 16 | 1545479 | 12 | • Flange screw | |
| 17 | 468271 | X | Adjusting washer | TH=0.20mm |
| | 468272 | X | Adjusting washer | TH=0.30mm |
| | 468273 | X | Adjusting washer | TH=1.00mm |
| 18 | 270130 | 6 | Big-end bearing kit | Std D |
| | 270131 | 6 | Big-end bearing kit | 0,25mm u.s |
| | 270132 | 6 | Big-end bearing kit | 0,50mm u.s |
| | (270133) | 6 | Big-end bearing kit | 0,75mm u.s |
| | 270134 | 6 | Big-end bearing kit | 1,00mm u.s |
| | 270135 | 6 | Big-end bearing kit | 1,25mm u.s |
| 19 | | 6 | • bearing shell, upper | |
| 20 | | 6 | • bearing shell, lower | |
| 21 | 848769 | 1 | Crankshaft | |
| 22 | 422253 | 1 | • Woodruff key | |
| 23 | | 7 | bearing cap | |
| 24 | 270449 | 7 | Main bearing kit | Std |
| | 270450 | 7 | Main bearing kit | 0,25mm u.s |
| | 270451 | 7 | Main bearing kit | 0,50mm u.s * |
| | (270452) | 7 | Main bearing kit | 0,75mm u.s |
| 25 | 276791 | 1 | Thrust washer kit | Std D |
| | 276792 | 1 | Thrust washer kit | 0,1mm o.s |
| | 276793 | 1 | Thrust washer kit | 0,2mm o.s |
| | (423288) | 1 | Thrust washer | 0.3mm o.s |
| 26 | 423080 | 1 | Gear | |
| 27 | (423177) | 1 | Oil deflector | |
| 28 | 424958 | 1 | Hub | |
| 29 | 422124 | 1 | Washer | |
| 30 | 941494 | 1 | Hexagon screw | |
| 31 | 846645 | 1 | Vibration damper | |
| 32 | 468187 | 1 | V-belt pulley | |
| | (847367) | 1 | Pulley | 6-groove |
| 33 | 955549 | 6 | Hexagon screw | L=45mm |
| | 955551 | 12 | Hexagon screw | L=57mm for 847367 |
| 34 | 941909 | 6 | Spring washer | |
| 35 | 864402 | 1 | Flywheel | Std (847168) |
| 36 | 420794 | 1 | • Ring gear | |
| 37 | 941570 | 10 | Hexagon screw | |
| 38 | 467773 | 10 | Washer | |

7746460-21-54157473

54024

Upd:7/24/2022

TD120HP, TD121G, TD121GG, TD121GGP, TD121GGP-87, TD121GP, TD121GPB, TID121K, TID121K-87, TID121KG, TID121KGP, TID121KP, TID121KP

VOLVO
PENTA

TD121G

| REF | PART NO. | QTY | DESCRIPTION | NOTES |
|-----|----------|-----|------------------------|-------------------------|
| 1 | 876083 | 6 | Cylinder liner kit | |
| 2 | | 6 | • cylinder liner | |
| 3 | 271155 | 6 | • Sealing ring kit | SN-XXXXXXXXXX/136970 |
| | 270950 | 6 | • Gasket kit | SN XXXXXXXXXXXX/136971- |
| 4 | | 6 | • • seal ring | |
| 5 | | 12 | • • seal ring | |
| 6 | | 6 | • • seal ring | |
| 7 | | 6 | • piston | |
| 8 | 270603 | 6 | • Piston ring kit | |
| 9 | | 6 | • • oil ring | |
| | | 6 | • • expander ring | |
| 10 | | 6 | • • compression ring | |
| 11 | | 6 | • • compression ring | |
| 12 | 423342 | 6 | • Piston pin | |
| 13 | 423124 | 12 | • Snap ring | |
| 14 | (846864) | 6 | Connecting rod | |
| 15 | 470434 | 6 | • Bushing | |
| 16 | 1545479 | 12 | • Flange screw | |
| 17 | 468271 | X | Adjusting washer | TH=0.20mm |
| | 468272 | X | Adjusting washer | TH=0.30mm |
| | 468273 | X | Adjusting washer | TH=1.00mm |
| 18 | 270130 | 6 | Big-end bearing kit | Std D |
| | 270131 | 6 | Big-end bearing kit | 0,25mm u.s |
| | 270132 | 6 | Big-end bearing kit | 0,50mm u.s |
| | (270133) | 6 | Big-end bearing kit | 0,75mm u.s |
| | 270134 | 6 | Big-end bearing kit | 1,00mm u.s |
| | 270135 | 6 | Big-end bearing kit | 1,25mm u.s |
| 19 | | 6 | • bearing shell, upper | |
| 20 | | 6 | • bearing shell, lower | |
| 21 | 848769 | 1 | Crankshaft | (846444) |
| 22 | 422253 | 1 | • Woodruff key | |
| 23 | | 7 | bearing cap | |
| 24 | 270449 | 7 | Main bearing kit | Std |
| | 270450 | 7 | Main bearing kit | 0,25mm u.s |
| | 270451 | 7 | Main bearing kit | 0,50mm u.s |
| | (270452) | 7 | Main bearing kit | 0,75mm u.s |
| 25 | 276791 | 1 | Thrust washer kit | Std D |
| | 276792 | 1 | Thrust washer kit | 0,1mm o.s |
| | 276793 | 1 | Thrust washer kit | 0,2mm o.s |
| | (423288) | 1 | Thrust washer | 0,3mm o.s |
| 26 | 423080 | 1 | Gear | |
| 27 | (423177) | 1 | Oil deflector | |
| 28 | 424958 | 1 | Hub | (469489) |
| 29 | 422124 | 1 | Washer | |
| 30 | 941494 | 1 | Hexagon screw | |
| 31 | 846645 | 1 | Vibration damper | |
| 32 | 468187 | 1 | V-belt pulley | |
| | (847367) | 1 | Pulley | 6-groove |
| 33 | 955549 | 6 | Hexagon screw | L=45mm |
| | 955551 | 12 | Hexagon screw | L=57mm for 847367 |
| 34 | 941909 | 6 | Spring washer | (941495) |
| 35 | 864402 | 1 | Flywheel | Std (847168) |
| | (849328) | 1 | Flywheel | Clark |
| 36 | 420794 | 1 | • Ring gear | |
| 36A | (849326) | 1 | Bushing | Clark |
| 37 | 941570 | 10 | Hexagon screw | |
| 38 | 467773 | 10 | Washer | |

7746460-21-54157454

46778

Upd:7/24/2022

TID121K-87

| REF | PART NO. | QTY | DESCRIPTION | NOTES |
|-----|----------|-----|------------------------|-------------------------|
| 1 | (876189) | 6 | Cylinder liner kit | |
| 2 | | 6 | • cylinder liner | |
| 3 | 271155 | 6 | • Sealing ring kit | SN-XXXXXXXXXXXX/136970 |
| | 270950 | 6 | • Gasket kit | SN XXXXXXXXXXXX/136971- |
| 4 | | 6 | • • seal ring | |
| 5 | | 12 | • • seal ring | |
| 6 | | 6 | • • seal ring | |
| 7 | | 6 | • piston | |
| 8 | 270603 | 6 | • Piston ring kit | |
| 9 | | 6 | • • oil ring | |
| | | 6 | • • expander ring | |
| 10 | | 6 | • • compression ring | |
| 11 | | 6 | • • compression ring | |
| 12 | 470842 | 6 | • Piston pin | |
| 13 | 423124 | 12 | • Snap ring | |
| 14 | (846864) | 6 | Connecting rod | |
| 15 | 470434 | 6 | • Bushing | |
| 16 | 1545479 | 12 | • Flange screw | |
| 17 | 468271 | X | Adjusting washer | TH=0.20mm |
| | 468272 | X | Adjusting washer | TH=0.30mm |
| | 468273 | X | Adjusting washer | TH=1.00mm |
| 18 | 270130 | 6 | Big-end bearing kit | Std D |
| | 270131 | 6 | Big-end bearing kit | 0,25mm u.s |
| | 270132 | 6 | Big-end bearing kit | 0,50mm u.s |
| | (270133) | 6 | Big-end bearing kit | 0,75mm u.s |
| | 270134 | 6 | Big-end bearing kit | 1,00mm u.s |
| | 270135 | 6 | Big-end bearing kit | 1,25mm u.s |
| 19 | | 6 | • bearing shell, upper | |
| 20 | | 6 | • bearing shell, lower | |
| 21 | 848769 | 1 | Crankshaft | |
| 22 | 422253 | 1 | • Woodruff key | |
| 23 | | 7 | bearing cap | |
| 24 | 270449 | 7 | Main bearing kit | Std |
| | 270450 | 7 | Main bearing kit | 0,25mm u.s |
| | 270451 | 7 | Main bearing kit | 0,50mm u.s * |
| | (270452) | 7 | Main bearing kit | 0,75mm u.s |
| 25 | 276791 | 1 | Thrust washer kit | Std D |
| | 276792 | 1 | Thrust washer kit | 0,1mm o.s |
| | 276793 | 1 | Thrust washer kit | 0,2mm o.s |
| | (423288) | 1 | Thrust washer | 0.3mm o.s |
| 26 | 423080 | 1 | Gear | |
| 27 | (423177) | 1 | Oil deflector | |
| 28 | 424958 | 1 | Hub | |
| 29 | 422124 | 1 | Washer | |
| 30 | 941494 | 1 | Hexagon screw | |
| 31 | 846645 | 1 | Vibration damper | |
| 32 | 468187 | 1 | V-belt pulley | |
| | (847367) | 1 | Pulley | 6-groove |
| 33 | 955549 | 6 | Hexagon screw | L=45mm |
| | 955551 | 12 | Hexagon screw | L=57mm for 847367 |
| 34 | 941909 | 6 | Spring washer | |
| 35 | 864402 | 1 | Flywheel | Std (847168) |
| | (849328) | 1 | Flywheel | Clark |
| 36 | 420794 | 1 | • Ring gear | |
| 36A | (849326) | 1 | Bushing | Clark |
| 37 | 941570 | 10 | Hexagon screw | |
| 38 | 467773 | 10 | Washer | |

7746460-21-54157470

46778

Upd:7/24/2022

TD120HP, TD121G, TD121GG, TD121GGP, TD121GGP-87, TD121GP, TD121GPB, TID121K, TID121K-87, TID121KG, TID121KGP, TID121KP, TID121KP

VOLVO
PENTA

TD121GP

| REF | PART NO. | QTY | DESCRIPTION | NOTES |
|-----|----------|-----|-----------------------------------|----------------------|
| 1 | (478990) | 1 | Cylinder block | SNXXXXXXXXXX/199853- |
| 2 | | 7 | • Bearing cap | |
| 3 | 422426 | 1 | • Pin | |
| 4 | 423444 | 14 | • Flange screw | |
| 5 | 422076 | 1 | • Bushing | |
| 6 | 422077 | 1 | • Bushing | |
| 7 | 422078 | 1 | • Bushing | |
| 8 | 422079 | 1 | • Bushing | |
| 9 | 422080 | 1 | • Bushing | |
| 10 | 422081 | 1 | • Bushing | |
| 11 | 422082 | 1 | • Bushing | |
| 12 | 467367 | 5 | • Plug | |
| 13 | 469328 | 6 | • Gasket | |
| 14 | 952075 | 1 | • Plug | |
| 15 | 422369 | 2 | • Plug | |
| 16 | 468563 | 1 | • Pipe, by-pass | |
| 17 | | 1 | • Lock | |
| 18 | 949657 | 1 | • O-ring | |
| 19 | 955524 | 1 | • Hexagon screw | |
| 20 | 941907 | 1 | • Spring washer | |
| 21A | 821335 | 1 | • Adapter | |
| 22 | 479977 | 4 | • Plug | |
| 23 | 955083 | 3 | Cap plug | D=14,5mm |
| 24 | 955082 | 2 | Cap plug | D=12,5mm |
| 25 | 950543 | 12 | Pin | |
| 26 | 948187 | 1 | Plug | |
| 27 | 18818 | 1 | Gasket | |
| 28 | (961892) | 1 | Plug | |
| 29 | 969011 | 1 | Gasket | |
| 30 | 479979 | 5 | Plug | |
| 31 | | 1 | Lift iron | |
| 32 | 955562 | 2 | Hexagon screw | |
| 33 | 940280 | 2 | Spring washer | |
| 34 | 479954 | 1 | Nipple | |
| 35 | 479970 | 1 | Faucet | (820436) early type |
| 35A | 949918 | 1 | Shut-off cock | Late type |
| 36 | (942734) | 1 | Plug | |
| 43 | 468539 | 6 | Oil jet | |
| 44 | 948587 | 6 | Hexagon screw | |
| 45 | 191171 | 2 | Pin | |
| 46 | 16318 | 1 | Plug | |
| 47 | 422541 | 6 | Shoulder screw | |
| 48 | 471856 | 6 | Sealing ring | |
| 49 | 423120 | 3 | Inspection cover | Std |
| 49A | 423121 | 1 | Inspection cover, crankcase vent. | Alt |
| 50 | 942402 | 2 | Flange screw | |
| 51 | 8193627 | 1 | Breather pipe | (468655) |
| 52 | 421158 | 1 | Sealing ring | |
| 53 | 469823 | 3 | Gasket | |
| 54 | 422542 | 1 | Mudflap | |

TD120HP, TD121G, TD121GG, TD121GGP, TID121K, TID121KG, TID121KGP, TID121KP, TID121LG, TID121LGP, TID121LP

| REF | PART NO. | QTY | DESCRIPTION | NOTES |
|-----|----------|-----|----------------------------|------------|
| 1 | 3803314 | 6 | Cylinder head | (470813) |
| 2 | 423011 | 6 | • Valve seat, intake | Std |
| | 423208 | 6 | • Valve seat, intake | 0.20mm o.s |
| 3 | 468448 | 6 | • Valve seat, exhaust | Std |
| | 468449 | 6 | • Valve seat, exhaust | 0.20mm o.s |
| 4 | 422320 | 6 | • Valve guide, intake | |
| 5 | 1545135 | 6 | • Valve guide, exhaust | |
| 6 | 467365 | 12 | • Plug | |
| 7 | 468461 | 12 | • Gasket | |
| 8 | 950543 | 12 | • Pin | |
| 9 | 273983 | 6 | • Socket set | (470247) |
| 10 | 466420 | 6 | • • Ring | |
| 10A | 466405 | 6 | • • Sealing ring | |
| 11 | 468302 | 6 | • Inlet valve | |
| 12 | 468303 | 6 | • Exhaust valve | |
| 13 | 468067 | 12 | Valve spring, outer | |
| 14 | 468066 | 12 | Valve spring, inner | |
| 15 | 468065 | 12 | Valve spring washer, lower | |
| 16 | 468304 | 12 | Valve spring washer, upper | |
| 17 | 468305 | 24 | Valve cotter | |
| 18 | 478074 | 12 | Valve cap | (417133) |
| 19 | (423266) | 6 | Bearing bracket | |
| 20 | (423331) | 18 | Flange screw | |
| 21 | 423267 | 6 | Rocker arm shaft | |
| 22 | 946778 | 12 | • Cap plug | |
| 23 | 950499 | 6 | • Pin | |
| 24 | 423263 | 12 | Rocker arm | |
| 25 | 422066 | 12 | • Bushing | |
| 26 | 422993 | 12 | • Ball stud | (423058) |
| 27 | 940175 | 12 | • Hexagon nut | |
| 28 | 423269 | 12 | Washer | |
| 29 | 914459 | 12 | Snap ring | |
| 30 | 275548 | 6 | Cylinder head gasket | |
| 31 | 423326 | 12 | • Sealing ring | D=32mm |
| 32 | 422415 | 12 | • Sealing ring | D=18mm |
| 33 | 422413 | 6 | • Sealing ring | D=11mm |
| 34 | 470261 | 48 | Flange screw | |
| 35 | 423404 | 1 | Cover | |
| 36 | 423403 | 5 | Case | |
| 37 | 424692 | 6 | Gasket | |
| 38 | 421753 | 1 | Oil filler cap | (420292) |
| 39 | 940096 | 1 | Gasket | |
| 40 | 955527 | 12 | Hexagon screw | |
| 41 | 942580 | 12 | Gasket | |

7746460-21-54157487

46786

Upd:7/24/2022

TD120HP, TD121G, TD121GG, TD121GGP, TD121GGP-87, TD121GP, TD121GPB, TID121K, TID121K-87, TID121KG, TID121KGP, TID121KP, TID121KP

VOLVO
PENTA

TD121GG

| REF | QTY | DESCRIPTION | SEE SEC. |
|-----|-----|---|----------|
| 1 | 6 | cylinder head | 54157487 |
| 2 | 1 | cylinder block | 54157451 |
| 3 | 1 | flywheel housing | 54157453 |
| 4 | 1 | crankshaft and related parts | 54157457 |
| 5 | 1 | camshaft | 54157481 |
| 6 | 1 | timing gear cover and gears | 54157482 |
| 7 | 1 | lubricating system | 54157502 |
| | 1 | oil sump pump and installation components | 54157502 |
| | 1 | electrical oil sump pump and inst.comps | 54157502 |
| 8 | 1 | engine mounts | 54157510 |
| | 1 | flexible engine mounts | 54157510 |

TD121G

| REF | QTY | DESCRIPTION | SEE SEC. |
|-----|-----|---|----------|
| 1 | 6 | cylinder head | 54157487 |
| 2 | 1 | cylinder block | 54157451 |
| 3 | 1 | flywheel housing | 54157453 |
| 4 | 1 | crankshaft and related parts | 54157457 |
| 5 | 1 | camshaft | 54157481 |
| 6 | 1 | timing gear cover and gears | 54157482 |
| 7 | 1 | lubricating system | 54157502 |
| | 1 | oil sump pump and installation components | 54157502 |
| | 1 | electrical oil sump pump and inst.comps | 54157502 |
| 8 | 1 | engine mounts | 54157510 |
| | 1 | flexible engine mounts | 54157510 |
| 9 | 1 | air compressor | 54157519 |

TD120HP

| REF | QTY | DESCRIPTION | SEE SEC. | NOTES |
|-----|-----|---|----------|-------|
| 1 | | | 54157487 | |
| | | | 54157487 | |
| | | | 54157487 | |
| | | | 54157487 | |
| | | | 54157487 | |
| | 6 | cylinder head | 54157487 | |
| 2 | 1 | cylinder block | 54157451 | |
| 3 | 1 | flywheel housing | 54157453 | |
| 4 | 1 | crankshaft and related parts | 54157457 | |
| | | | 54157457 | * |
| 5 | 1 | camshaft | 54157481 | |
| 6 | 1 | timing gear cover and gears | 54157482 | |
| | | | 54157482 | * |
| 7 | 1 | lubricating system | 54157502 | |
| | 1 | oil sump pump and installation components | 54157502 | |
| | | | 54157502 | * |
| | 1 | electrical oil sump pump and inst.comps | 54157502 | |
| | | | 54157502 | * |
| 8 | 1 | engine mounts | 54157505 | |

| REF | QTY | DESCRIPTION | SEE SEC. |
|-----|-----|---|----------|
| 1 | 6 | cylinder head | 54157501 |
| 2 | 1 | cylinder block | 54157451 |
| 3 | 1 | flywheel housing | 54157453 |
| 4 | 1 | crankshaft and related parts | 54157461 |
| 5 | 1 | camshaft | 54157481 |
| 6 | 1 | timing gear cover and gears | 54157483 |
| 7 | 1 | lubricating system | 54157502 |
| | 1 | oil sump pump and installation components | 54157502 |
| | 1 | electrical oil sump pump and inst.comps | 54157502 |
| 8 | 1 | engine mounts | 54157510 |
| | 1 | engine mounts | 54157510 |
| 9 | 1 | air compressor | 54157519 |

TD120HP, TD121GP

| REF | PART NO. | QTY | DESCRIPTION | SEE SEC. | NOTES |
|-----|----------|-----|----------------|----------|--------------------|
| 1 | (862144) | 1 | Frame | | |
| 2 | (823534) | 2 | Bracket | | |
| 3 | 955580 | 8 | Hexagon screw | | |
| 4 | 941911 | 8 | Spring washer | | |
| 5 | 970976 | 8 | Hexagon screw | | |
| 6 | 940280 | 8 | Spring washer | | |
| 7 | (845883) | 4 | Plate | | |
| 8 | (843070) | 2 | Engine bracket | | |
| 9 | 955561 | 12 | Hexagon screw | | |
| 10 | 940280 | 12 | Spring washer | | |
| 11 | 970972 | 8 | Hexagon screw | | |
| 12 | 940280 | 8 | Spring washer | | |
| 13 | (845905) | 4 | Nut plate | | |
| 14 | 946817 | 4 | Flange screw | | |
| 15 | (848825) | 2 | Bracket | | |
| 16 | (862622) | 2 | Guide rail | | |
| 17 | 973083 | 8 | Flange screw | | |
| 18 | 971095 | 8 | Flange nut | | (945409) |
| 19 | 961305 | 4 | Hexagon screw | | |
| 20 | (906837) | 4 | Washer | | |
| 21 | 862073 | 4 | Rubber cushion | | |
| 22 | | 1 | battery box | 54157518 | TD120HP-86 |
| | | | | 54157518 | |
| | | 1 | battery box | 54157518 | TD121GP-87 |
| | | | | 54157518 | SN-1101025376/XXXX |
| | | | | 54157518 | |
| | | | | 54157518 | SN1101025377/XXXX- |
| | | | | 54157518 | |

TID121K-87, TID121KGP, TID121L

| REF | PART NO. | QTY | DESCRIPTION | NOTES |
|-----|----------|-----|----------------------|--|
| 1 | 820745 | 2 | Bracket | |
| 2 | 955578 | 4 | Hexagon screw | |
| 3 | 955578 | 4 | Hexagon screw | |
| 4 | 941911 | 8 | Spring washer | |
| 5 | 899734 | 2 | Rubber cushion | |
| 6 | 970968 | 4 | Hexagon screw | |
| 7 | 940280 | 4 | Spring washer | |
| 8 | 955562 | 8 | Hexagon screw | |
| 9 | 940176 | 8 | Hexagon nut | |
| 10 | 940280 | 8 | Spring washer | |
| 11 | 11411 | 1 | Chassis ground cable | |
| 12 | 820822 | 2 | Bracket | For emergency generating unit, H=297mm |
| 13 | (820744) | 2 | Bracket | For generating unit H=262mm |
| 14 | (820742) | 2 | Bracket | |
| 15 | 955561 | 8 | Hexagon screw | |
| 16 | 940280 | 8 | Spring washer | |
| 17 | 899734 | 2 | Rubber cushion | |
| 18 | 970968 | 4 | Hexagon screw | |
| 19 | 940280 | 4 | Spring washer | |
| 20 | 955562 | 8 | Hexagon screw | |
| 21 | 940176 | 8 | Hexagon nut | |
| 22 | 940280 | 8 | Spring washer | |
| 23 | 820822 | 2 | Bracket | H=297mm |
| 24 | (820744) | 2 | Bracket | H=262mm |
| 25 | (899144) | 2 | Inner section | Alt |
| 26 | 955561 | 12 | Hexagon screw | Alt |
| 27 | 940280 | 12 | Spring washer | Alt |
| 28 | (899145) | 2 | Bracket | For generating unit, H=125mm alt |
| | 817954 | 2 | Bracket | For emergency generating unit, H=160mm alt |
| 29 | 955535 | 8 | Hexagon screw | Alt |
| 30 | 955827 | 8 | Hexagon nut | Alt |
| 31 | 942336 | 8 | Spring washer | Alt |
| 32 | 899734 | 4 | Rubber cushion | |
| 33 | 970969 | 4 | Hexagon screw | |
| 34 | 940280 | 4 | Spring washer | |
| 35 | 970968 | 4 | Hexagon screw | |
| 36 | 940280 | 4 | Spring washer | |
| 37 | 955562 | 8 | Hexagon screw | |
| 38 | 940176 | 8 | Hexagon nut | |
| 39 | 940280 | 8 | Spring washer | |
| 40 | (820821) | 2 | Bracket | H=297mm |
| | (820743) | 2 | Bracket | H=262mm |

7746460-21-54157511

45809

Upd:7/24/2022

TD120HP, TD121G, TD121GG, TD121GGP, TID121K, TID121KG, TID121KGP, TID121KP, TID121LG, TID121LGP, TID121LP

| REF | PART NO. | QTY | DESCRIPTION | SEE SEC. | NOTES |
|-----|----------|-----|--|----------|--------------------|
| 1 | 470343 | 1 | Oil pump | 54157494 | Replaced by 478285 |
| | | | . | 54157494 | |
| | 478285 | 1 | Oil pump | 54157494 | |
| | | | . | 54157494 | |
| 2 | 190529 | 2 | Tab washer | | |
| 3 | 955538 | 4 | Hexagon screw | | |
| 4 | 470383 | 2 | Sealing ring | | |
| 5 | (955533) | 2 | Hexagon screw | | |
| 6 | 941907 | 2 | Spring washer | | |
| 7 | 470379 | 1 | Strainer | | |
| 8 | 470385 | 1 | Bracket | | |
| 9 | 942402 | 3 | Flange screw | | |
| 10 | 470375 | 1 | Oil pressure pipe | | |
| 11 | 466908 | 1 | Pipe connection | | |
| 12 | 470376 | 1 | Spacer | | |
| 13 | 470263 | 1 | Sealing ring | | |
| 14 | 959794 | 2 | Hexagon screw | | |
| 15 | 941907 | 2 | Spring washer | | |
| 16 | 470377 | 1 | Pressure pipe | | |
| 17 | 956973 | 1 | Ferrule | | |
| 18 | 470918 | 1 | Bracket | | |
| 19 | 942402 | 2 | Flange screw | | |
| 20 | 1545432 | 1 | Attaching clamp | | (949786) |
| 21 | 942402 | 1 | Flange screw | | |
| 22 | 955894 | 1 | Washer | | |
| 23 | 945467 | 1 | Lock nut | | |
| 24 | 412845 | 1 | Extension pipe | | |
| 25 | (944663) | 1 | Oil dipstick | | |
| 26 | 470160 | 1 | Oil sump | | |
| 27 | 949175 | 1 | Magnetic plug | | (192538) |
| 28 | 18813 | 1 | Gasket | | (18677) |
| 29 | 470745 | 1 | Gasket | | (470133) |
| 30 | 942402 | 41 | Flange screw | | |
| 31 | 468653 | 1 | Bracket | | |
| 32 | 955525 | 2 | Hexagon screw | | |
| 33 | 941907 | 2 | Spring washer | | |
| 34 | 960141 | 2 | Washer | | |
| 35 | | 1 | oil filter and installation components | 54157491 | |
| | | | | 54157491 | |
| 36 | 469846 | 1 | Sealing ring | | (424342) |
| 37 | 469468 | 1 | Valve seat | | |
| 38 | 471085 | 1 | Valve cone | | |
| 39 | 470291 | 1 | Compression spring | | |
| 40 | 468727 | 1 | Spring | | |
| 41 | 949658 | 1 | O-ring | | |
| 42 | 469465 | 1 | Cover | | |
| 43 | 949607 | 2 | Spring washer | | |
| 44 | 955512 | 2 | Hexagon screw | | |
| 45 | 940100 | 2 | Hexagon screw | | MO 106307- |
| 46 | 949607 | 2 | Spring washer | | MO 106307- |
| 47 | 471752 | 1 | Cover | | MO 106307- |
| 48 | 949658 | 1 | O-ring | | MO 106307- |
| 49 | 471707 | 1 | Reduction valve | | MO 106307- |
| 50 | 469846 | 1 | Sealing ring | | MO 106307- |

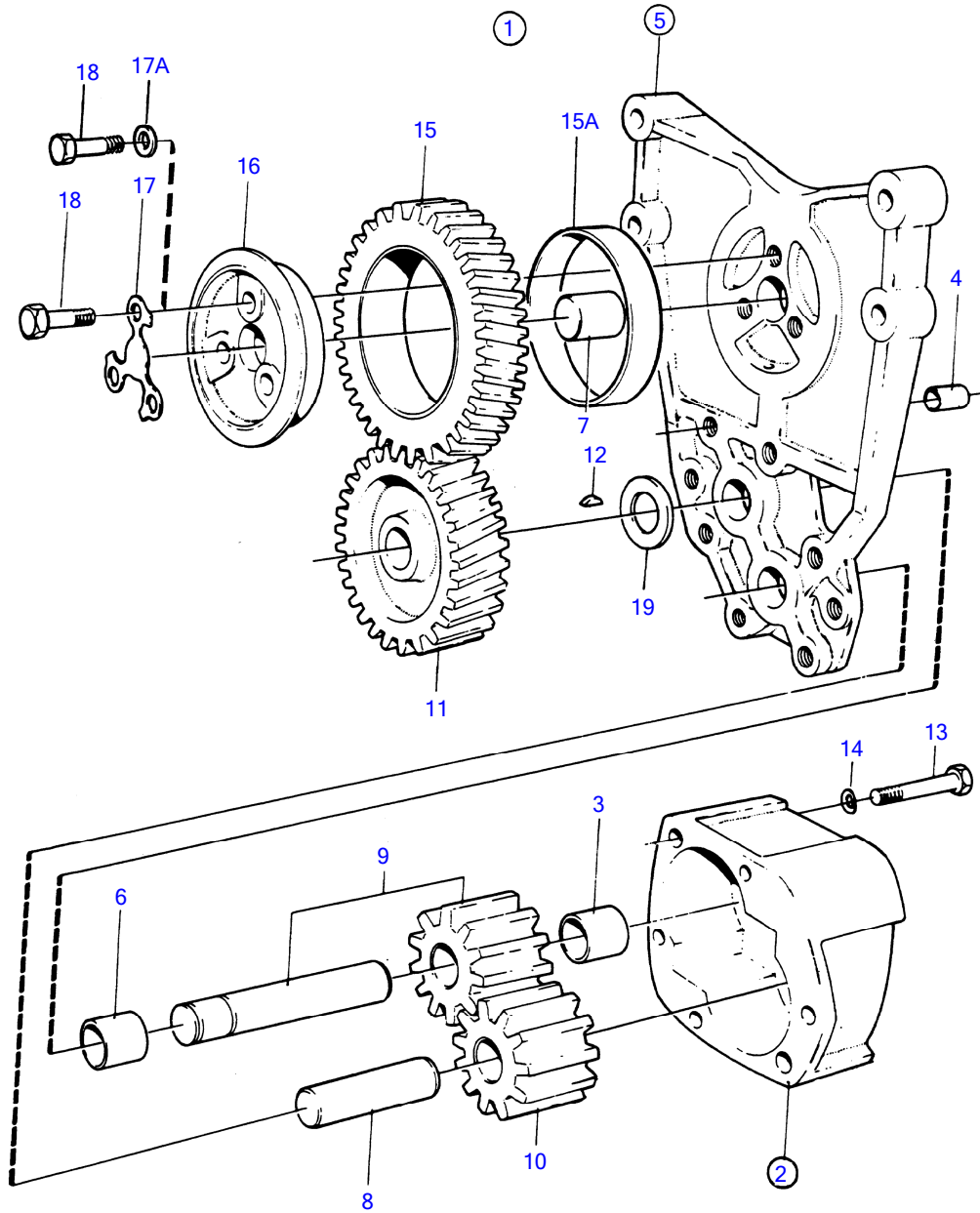
7746460-21-54157488

54026

Upd:7/24/2022

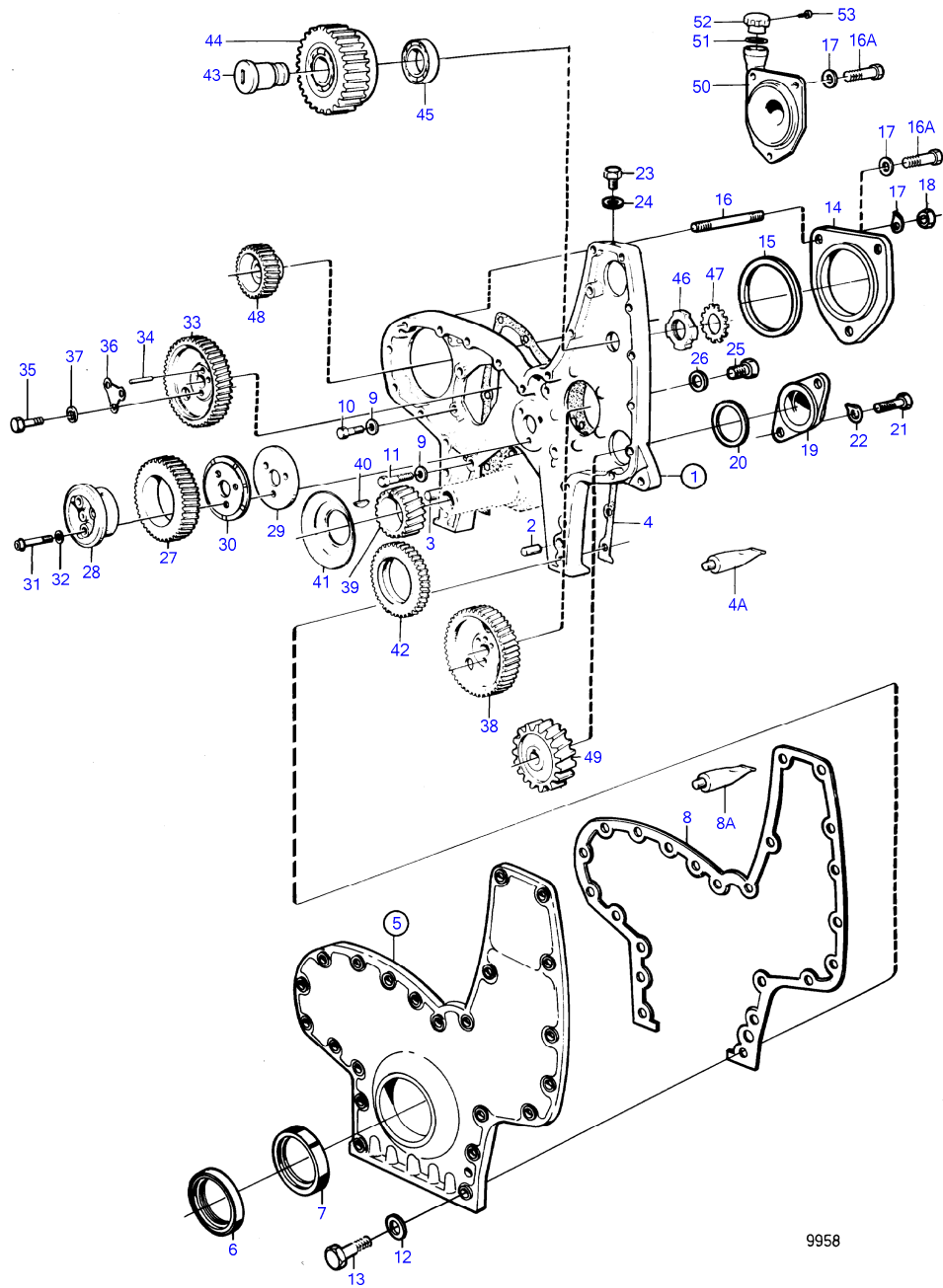
TD120HP, TD121G, TD121GG, TD121GGP, TD121GGP-87, TD121GP, TD121GPB, TID121K, TID121K-87, TID121KG, TID121KGP, TID121KP, TID121KP





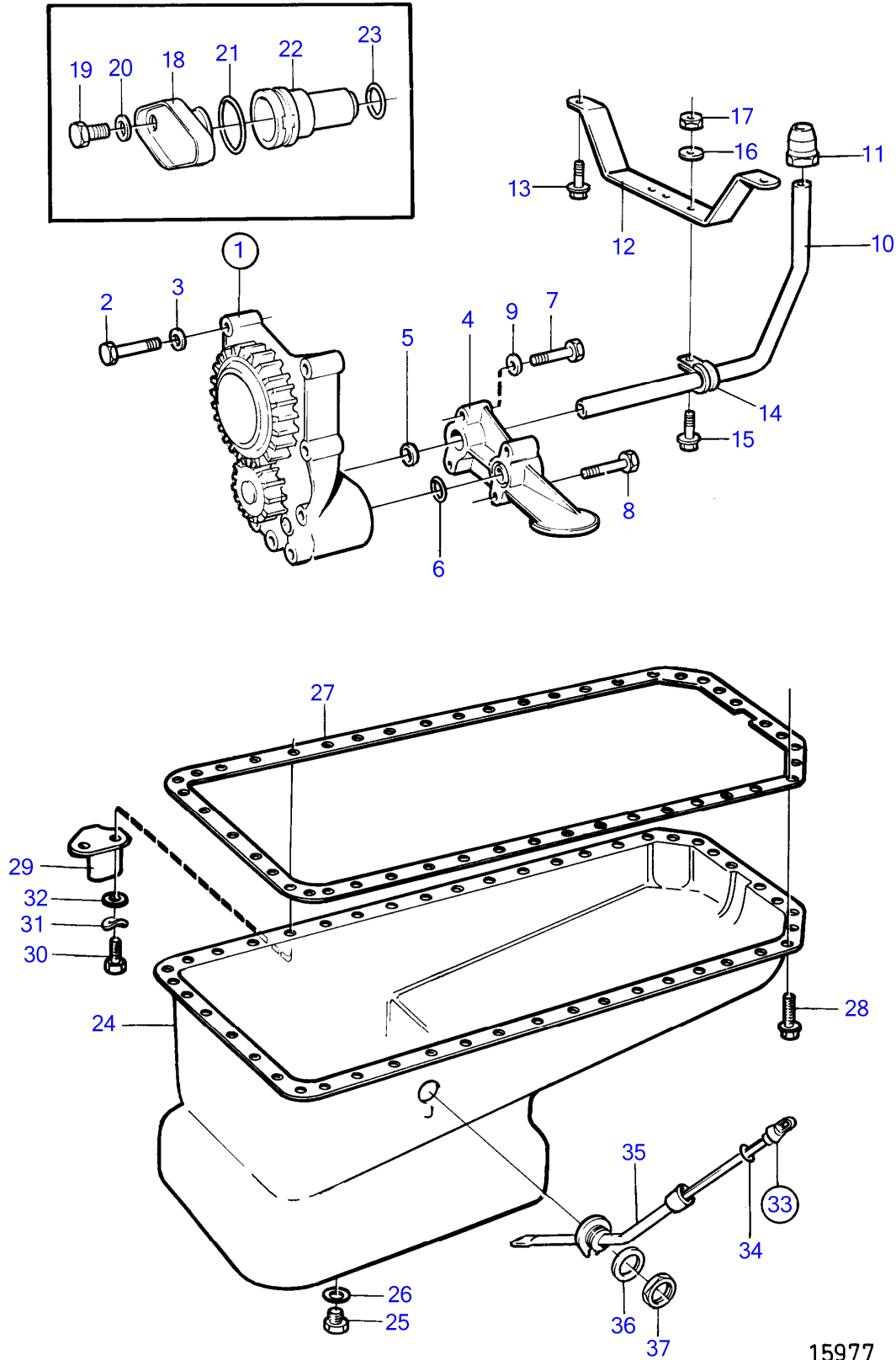
10346

TID121K, TID121KG, TID121KGP, TID121KP, TID121LG, TID121LGP, TID121LP



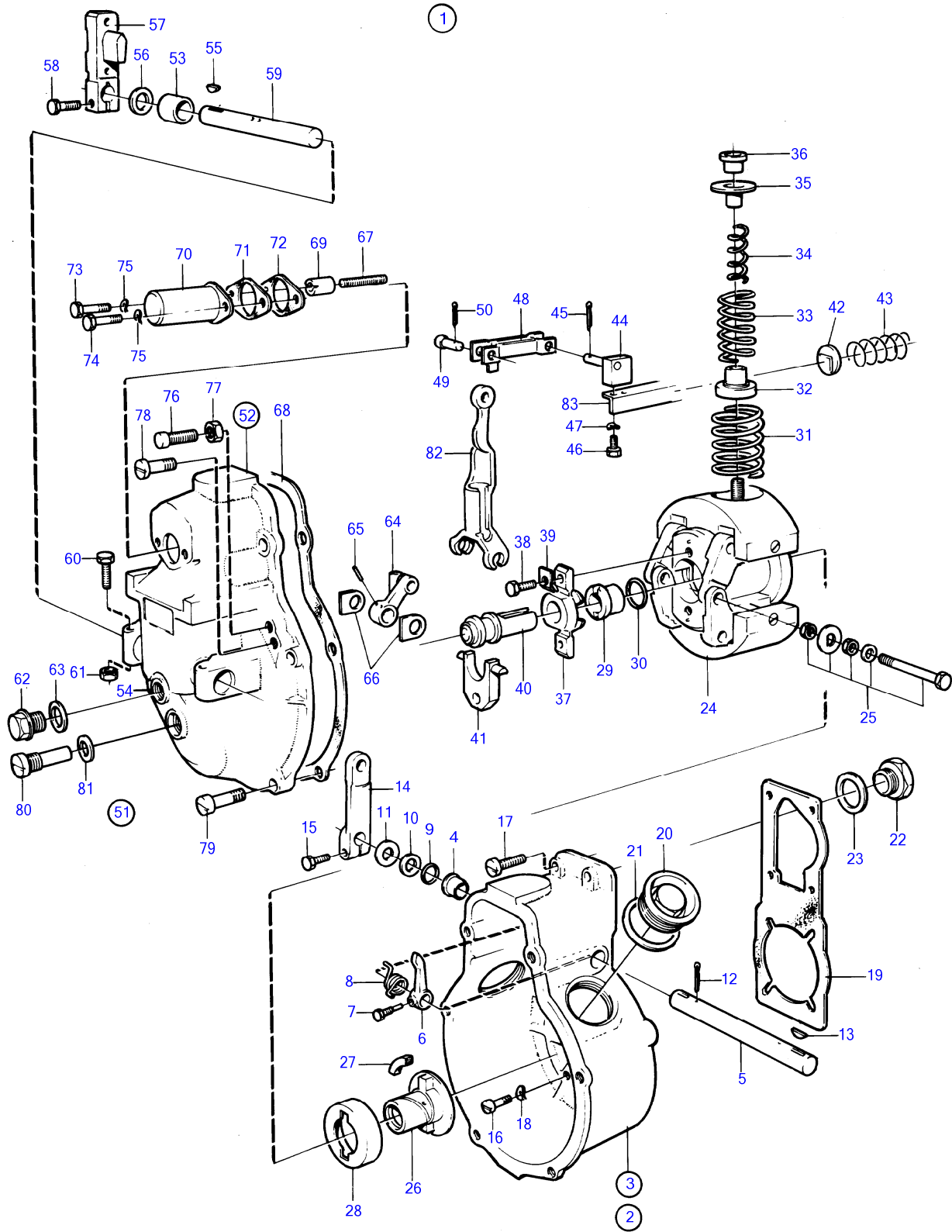
9958

TD121GP



15977

| REF | PART NO. | QTY | DESCRIPTION | NOTES |
|-----|----------|-----|----------------------|-------|
| 58 | (845008) | 1 | • Intermediate lever | |
| 59 | 951667 | 2 | • E-circlip | |
| 60 | (240376) | 1 | • Key | |
| 61 | (870917) | 1 | • Link | |
| 62 | (239051) | 1 | • Sleeve | |
| 63 | (240388) | 1 | • Spring | |
| 64 | (240387) | 1 | • Spring | |
| 65 | (240386) | 1 | • Spring | |
| 66 | (870916) | 1 | • Brace | |
| 67 | (239049) | 1 | • Shaft | |
| 68 | (239048) | 1 | • Bearing bushing | |
| 69 | 862814 | 1 | • O-ring | |
| 70 | (243513) | 1 | • Adjusting washer | |
| 71 | (870912) | 1 | • Intermediate lever | |
| 72 | 955271 | 1 | • Hexagon screw | |
| 73 | 941906 | 1 | • Spring washer | |
| 74 | (240390) | 1 | • Pin | |
| 75 | (845007) | 1 | • Pin | |
| 76 | (239044) | 1 | • Adjusting screw | |
| 77 | (870667) | 1 | • Spring | |
| 78 | (239046) | 1 | • Nut | |
| 79 | 18839 | 2 | • Gasket | |
| 80 | (870637) | 1 | • Nut | |



7043

| REF | PART NO. | QTY | DESCRIPTION | NOTES |
|-----|----------|-----|------------------------|-------|
| 1 | (862801) | 1 | Governor | |
| 2 | | 1 | • housing | |
| 3 | (240919) | 1 | • Plug | |
| 4 | (243451) | 1 | • Adjusting screw | |
| 5 | 940197 | 1 | • Hexagon nut | |
| 6 | (845027) | 1 | • Cover | |
| 7 | (25464) | 1 | • Key | |
| 8 | 956095 | 8 | • Cross recessed screw | |
| 9 | (870908) | 1 | • Bracket | |
| 10 | (862427) | 4 | • Washer | |
| 11 | (243449) | 1 | • Companion flange | |
| 12 | 956075 | 1 | • Cross recessed screw | |
| 13 | (241705) | 1 | • Washer | |
| 14 | 955780 | 1 | • Hexagon nut | |
| 15 | (862443) | 1 | • Sealing ring | |
| 16 | (862817) | 1 | • Regulator weight | |
| 17 | (238995) | 1 | • Spring washer | |
| 18 | (238994) | 1 | • Round nut | |
| 19 | 845009 | 1 | • Spring | |
| 20 | | 1 | • cover | |
| 21 | (862802) | 1 | • • Regulator cover | |
| 22 | (848755) | 1 | • • Adjusting screw | |
| 23 | (848756) | 1 | • • Nut | |
| 24 | (239021) | 1 | • • Adjusting screw | |
| 25 | 940197 | 1 | • • Hexagon nut | |
| 26 | (862811) | 2 | • • O-ring | |
| 27 | (862810) | 2 | • • Bushing | |
| 28 | (862812) | 2 | • • Attaching plate | |
| 29 | (862813) | 4 | • • Screw | |
| 30 | (239037) | 1 | • • Cap | |
| 31 | (862442) | 1 | • • Sealing ring | |
| 32 | 910112 | 1 | • • Woodruff key | |
| 33 | 239316 | 1 | • • Intermediate lever | |
| 34 | 955272 | 1 | • • • Hexagon screw | |
| 35 | 862806 | 1 | • • Screw | |
| 36 | (862807) | 1 | • • Lock screw | |
| 37 | (862804) | 1 | • • Lock nut | |
| 38 | (862803) | 1 | • • Stud | |
| 39 | (862808) | 1 | • • Nut | |
| 40 | (239044) | 1 | • • Adjusting screw | |
| 41 | (870667) | 1 | • • Spring | |
| 42 | (848757) | 1 | • • Tensioning arm | |
| 43 | (862805) | 1 | • • Link arm | |
| 44 | (240375) | 1 | • • Intermediate lever | |
| 45 | (845008) | 1 | • • Intermediate lever | |
| 46 | 848218 | 2 | • • Lock washer | |
| 47 | (240376) | 1 | • • Key | |
| 48 | (870916) | 1 | • • Brace | |
| 49 | (240386) | 1 | • • Spring | |
| 50 | (240387) | 1 | • • Spring | |
| 51 | (240388) | 1 | • • Spring | |
| 52 | (239051) | 1 | • • Sleeve | |
| 53 | (862816) | 1 | • • Link arm | |
| 54 | (239049) | 1 | • • Shaft | |
| 55 | (862815) | 1 | • • Bushing | |
| 56 | 862814 | 1 | • • O-ring | |
| 57 | (243513) | 1 | • • Adjusting washer | |
| 58 | (870912) | 1 | • • Intermediate lever | |
| 59 | 949607 | 1 | • • Spring washer | |
| 60 | 955271 | 1 | • • Hexagon screw | |
| 61 | (848762) | 1 | • • Washer | |
| 62 | (848761) | 1 | • • Needle bearing | |
| 63 | (848763) | 1 | • • Bushing | |

7746460-23-54157638

53504

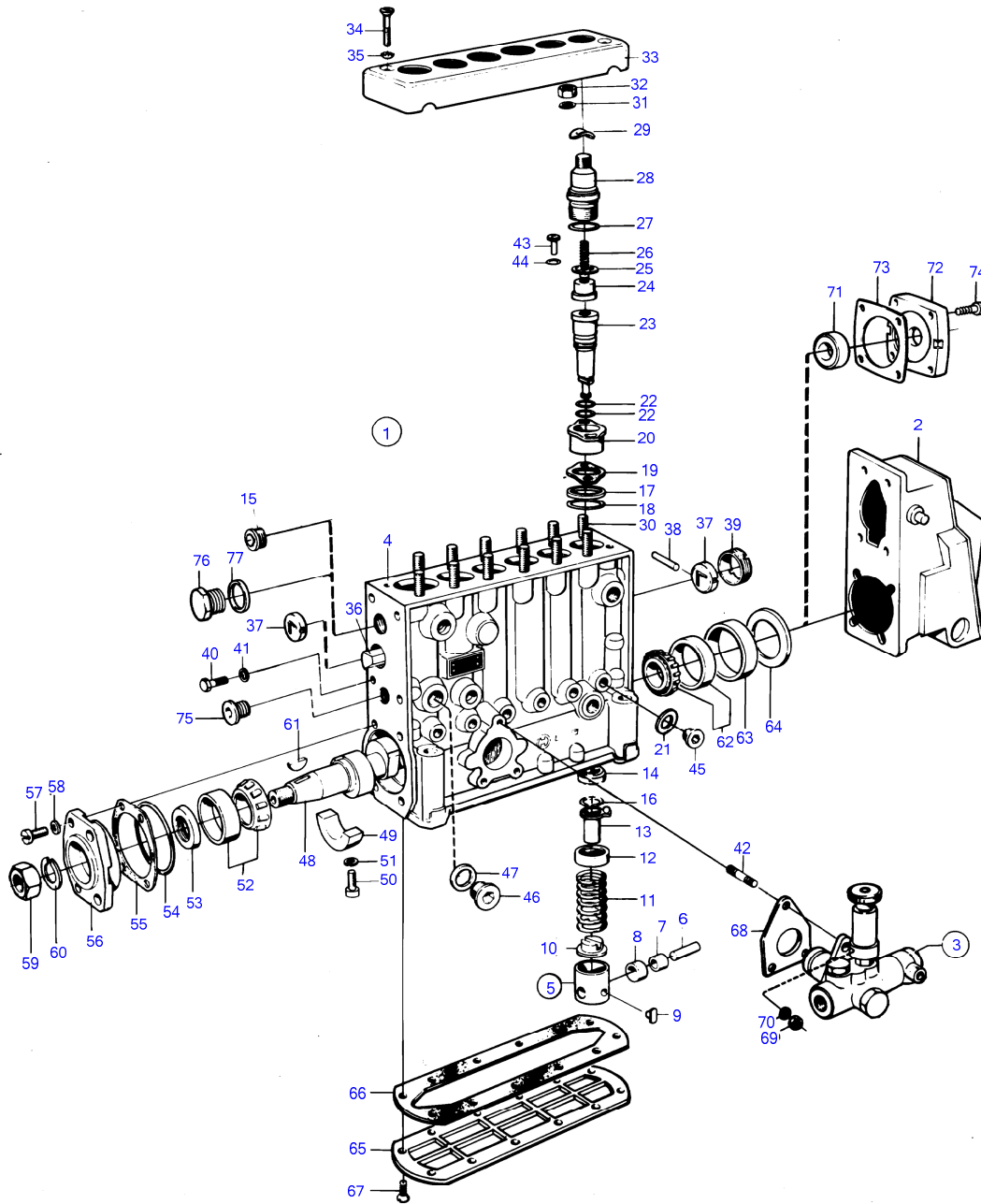
Upd:7/24/2022

TD120HP, TD121G, TD121GG, TD121GGP, TD121GGP-87, TD121GP, TD121GPB, TID121K, TID121K-87, TID121KG, TID121KGP, TID121KP, TID121KP

VOLVO
PENTA

| REF | PART NO. | QTY | DESCRIPTION |
|-----|----------|-----|----------------------|
| 1 | 862460 | 1 | Feed pump |
| 2 | | 1 | • housing |
| 3 | 862461 | 1 | • Piston |
| 4 | 244829 | 1 | • O-ring |
| 5 | 244827 | 1 | • Housing |
| 6 | 244828 | 1 | • O-ring |
| 7 | 244831 | 1 | • Piston |
| 8 | 244835 | 1 | • Spacer ring |
| 9 | 244834 | 1 | • Check valve |
| 10 | 862462 | 1 | • Compression spring |
| 11 | 244833 | 2 | • Spring disc |
| 12 | 244836 | 1 | • Bushing |
| 13 | 244838 | 1 | • O-ring |
| 14 | 244837 | 1 | • Fitting |
| 15 | 240572 | 1 | • Gasket |
| 16 | 76703 | 1 | • Hand pump |

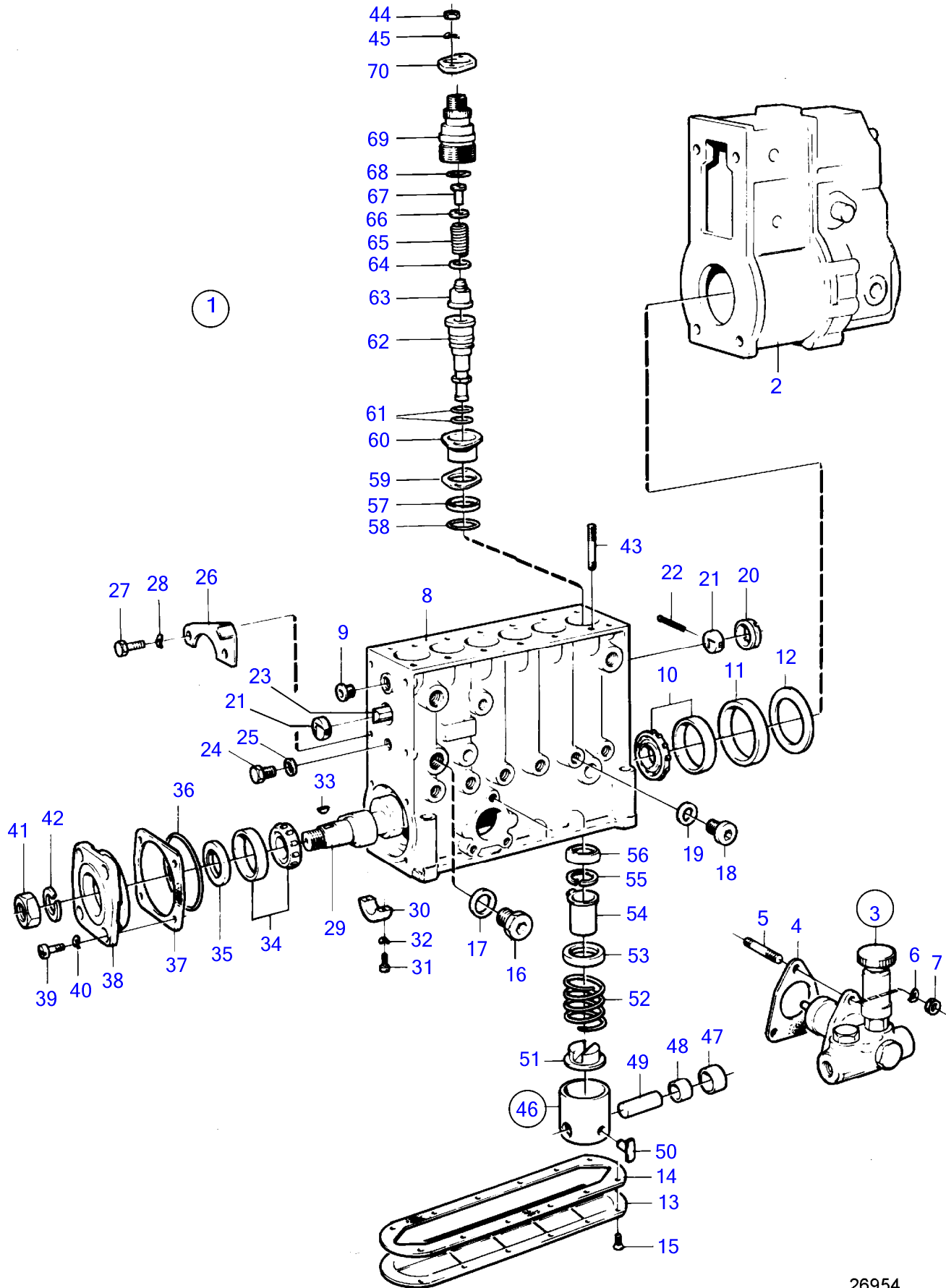
| REF | PART NO. | QTY | DESCRIPTION | NOTES |
|-----|----------|-----|----------------------|-------------------|
| 1 | 1699140 | 1 | Feed pump | |
| 2 | | 1 | • housing | |
| 3 | 240270 | 1 | • O-ring | |
| 4 | 240548 | 1 | • Pump piston | D=21,990-21,995mm |
| 5 | (243374) | 1 | • Push rod | D=4,993-4,998mm |
| 6 | 244392 | 1 | • Compression spring | |
| 7 | | 1 | • Plug | |
| 8 | 18844 | 1 | • Gasket | |
| 9 | (244393) | 1 | • Tappet | |
| 10 | | 1 | • • Roller | |
| 11 | | 1 | • • lifter shaft | |
| 12 | | 2 | • • guide | |
| 13 | (238368) | 1 | • Spring ring | |
| 14 | 243136 | 2 | • Valve | |
| 15 | 76706 | 2 | • Compression spring | |
| 16 | (25278) | 1 | • Plug | |
| 17 | 240572 | 2 | • Gasket | |
| 18 | 76703 | 1 | • Hand pump | |
| | 843435 | 1 | Hand pump | Class |
| 19 | 863370 | 1 | • Gasket | |
| 20 | 969011 | 4 | • Gasket | |



7558

| REF | PART NO. | QTY | DESCRIPTION | SEE SEC. | NOTES |
|-----|-----------|-----|------------------------|----------|-----------|
| 1 | 863232 | 1 | Injection pump | | |
| 2 | (864404) | 1 | • Governor | 54157639 | |
| | | | • • | 54157639 | |
| 3 | 244825 | 1 | • Feed pump | 54157645 | |
| | | | • • | 54157645 | |
| 4 | 863370 | 1 | • Gasket | | |
| 5 | (130673) | 3 | • Stud | | |
| 6 | 949607 | 3 | • Spring washer | | |
| 7 | 940197 | 3 | • Hexagon nut | | |
| 8 | | 1 | • housing | | |
| 9 | (844988) | 1 | • • Plug | | |
| 10 | 847439 | 1 | • Screw | | |
| 11 | 239897 | 1 | • Sealing ring | | |
| 12 | (241647) | 1 | • Indicator | | |
| 13 | 956092 | 2 | • Cross recessed screw | | |
| 14 | 949607 | 2 | • Spring washer | | |
| 15 | (6642955) | 1 | • Lock screw | | |
| 16 | 947620 | 1 | • Gasket | | |
| 17 | (240014) | 2 | • Bushing | | |
| 18 | (244008) | 1 | • Spring pin | | |
| 19 | (244699) | 1 | • Washer | | |
| 20 | (862403) | 12 | • Stud | | |
| 21 | (243743) | 12 | • Washer | | |
| 22 | (1328134) | 12 | • Washer | | |
| 23 | 943927 | 12 | • Hexagon nut | | |
| 24 | 965768 | 6 | • Plug | | |
| 25 | 18836 | 6 | • Gasket | | |
| 26 | (243263) | 1 | • Sealing plug | | |
| 27 | 240017 | 1 | • Gasket | | |
| 28 | 1698192 | 1 | • Gasket | | |
| 29 | (240947) | 1 | • Cover | | |
| 30 | (244732) | 12 | • Screw | | |
| 31 | 244406 | 1 | • Bearing | | |
| 32 | 949607 | 2 | • Spring washer | | |
| 33 | (849468) | 2 | • Screw | | |
| 34 | (1698080) | 1 | • Camshaft | | |
| 35 | 35168 | 1 | • Key | | |
| 36 | 240023 | 1 | • Roller bearing | | |
| 37 | 864299 | 1 | • Camshaft seal | | |
| 38 | 243299 | 1 | • O-ring | | |
| 39 | (240024) | X | • Shim | | TH=0,10mm |
| | (240025) | X | • Shim | | TH=0.12mm |
| | (240026) | X | • Shim | | TH=0.14mm |
| | (240027) | X | • Shim | | TH=0.16mm |
| | (240028) | X | • Shim | | TH=0.18mm |
| | (240029) | X | • Shim | | TH=0.30mm |
| | (240030) | X | • Shim | | TH=0.50mm |
| 40 | (240021) | 1 | • Bearing cover | | |
| 41 | 955806 | 1 | • Hexagon nut | | |
| 42 | 941913 | 1 | • Spring washer | | |
| 43 | (1698078) | 4 | • Screw | | |
| 44 | 949607 | 4 | • Spring washer | | |
| 45 | (240907) | 1 | • Control rod | | |
| 46 | 240023 | 1 | • Roller bearing | | |
| 47 | (240032) | 1 | • Ring | | |
| 48 | (240033) | X | • Shim | | TH=1,20mm |
| | (240034) | X | • Shim | | TH=1,50mm |
| | (240035) | X | • Shim | | TH=1,80mm |
| | (240036) | X | • Shim | | TH=2,00mm |
| 49 | 239897 | 1 | • Sealing ring | | |
| 50 | 35096 | 1 | • Overflow valve | | |
| 51 | | 1 | • • valve peg | | |
| 52 | | 1 | • • spring | | |

| REF | PART NO. | QTY | DESCRIPTION | SEE SEC. | NOTES |
|-----|-----------|-----|----------------------|----------|-----------|
| 53 | 240971 | 6 | • Peg | | |
| 54 | | | • ring | | |
| 55 | 240001 | 6 | • O-ring | | |
| 56 | 240969 | 6 | • Compression spring | | |
| 57 | 239993 | 6 | • Sealing washer | | |
| 58 | 849033 | 6 | • Delivery valve | | |
| 59 | 846576 | 6 | • Pump element | | |
| 60 | 240422 | 12 | • O-ring | | |
| 61 | (244733) | 6 | • Bushing | | |
| 62 | (844990) | X | • Adjusting washer | | TH=0.40mm |
| | (847428) | X | • Adjusting plate | | TH=0.45mm |
| | (844991) | X | • Adjusting washer | | TH=0.50mm |
| | (847429) | X | • Adjusting plate | | TH=0.60mm |
| | (844992) | X | • Adjusting washer | | TH=0.70mm |
| | (244908) | X | • Shim | | TH=0.75mm |
| | (844993) | X | • Adjusting washer | | TH=0.80mm |
| | (847430) | X | • Adjusting plate | | TH=0.85mm |
| | (845238) | X | • Washer | | TH=0.90mm |
| | (244909) | X | • Shim | | TH=0.95mm |
| | (844994) | X | • Adjusting washer | | TH=1.00mm |
| | (244910) | X | • Shim | | TH=1.05mm |
| | (844995) | X | • Adjusting washer | | TH=1.10mm |
| | (244911) | X | • Shim | | TH=1.15mm |
| | (244633) | X | • Shim | | TH=1,20mm |
| | (844996) | X | • Adjusting washer | | TH=1,25mm |
| | (244634) | X | • Shim | | TH=1,30mm |
| | (847431) | X | • Adjusting plate | | TH=1,35mm |
| | (244635) | X | • Shim | | TH=1,40mm |
| | (847432) | X | • Adjusting plate | | TH=1,45mm |
| | (244381) | X | • Shim | | TH=1,50mm |
| | (244912) | X | • Shim | | TH=1,55mm |
| | (244382) | X | • Shim | | TH=1,60mm |
| | (244913) | X | • Shim | | TH=1,65mm |
| | (244383) | X | • Shim | | TH=1,70mm |
| | (244914) | X | • Shim | | TH=1,75mm |
| | (244384) | X | • Shim | | TH=1,80mm |
| | (244385) | X | • Shim | | TH=1,90mm |
| | (244386) | X | • Shim | | TH=2,00mm |
| | (847433) | X | • Adjusting plate | | TH=2,10mm |
| | (244915) | X | • Shim | | TH=2,15mm |
| | (244916) | X | • Shim | | TH=2,20mm |
| 63 | (846937) | 6 | • O-ring | | |
| 64 | (241677) | 6 | • Washer | | |
| 65 | (239991) | 6 | • Cover | | |
| 66 | (1697953) | 6 | • Lock ring | | |
| 67 | (240782) | 6 | • Control sleeve | | |
| 68 | 239984 | 6 | • Spring disc | | |
| 69 | 244731 | 6 | • Compression spring | | |
| 70 | 244685 | 6 | • Spring disc | | |
| 71 | (1698077) | 6 | • Tappet | | |
| 72 | (238379) | 6 | • • Locating ring | | |
| 73 | (240779) | 6 | • • Bearing bolt | | |
| 74 | (1698299) | 6 | • • Roller | | |
| | 845240 | 1 | Repair kit | | |



TD121G

| REF | PART NO. | QTY | DESCRIPTION | SEE SEC. | NOTES |
|-----|----------|-----|----------------------|----------|------------------------------------|
| 1 | 847612 | 1 | Injection pump | 54157683 | |
| | 3803686 | 1 | Injection pump | 54157683 | |
| | | | . | 54157683 | |
| 2 | 468558 | 1 | Bracket | | |
| 3 | (423161) | 2 | Guide sleeve | | |
| 4 | 417588 | 1 | Guide sleeve | | |
| 5 | 955566 | 4 | Hexagon screw | | |
| 6 | 940280 | 4 | Spring washer | | |
| 7 | 940156 | 4 | Hexagon screw | | |
| 8 | 190509 | 4 | Washer | | |
| 9 | 477173 | 1 | Pressure equalizer | | |
| 10 | 969011 | 1 | Gasket | | |
| 11 | | 1 | pump coupling | 54157677 | |
| 12 | 848677 | 1 | Intermediate lever | | |
| 13 | 239056 | 1 | Spring | | Not for engine with stop solenoid. |
| 14 | (239059) | 1 | Cover | | Not for engine with stop solenoid. |
| 15 | 120265 | 1 | Washer | | |
| 16 | (955637) | 1 | Hexagon screw | | |
| 17 | 941906 | 1 | Spring washer | | |
| 18 | 471172 | 1 | Fuel filter housing | 54157651 | |
| | | | . | 54157651 | |
| 18A | 466987 | 2 | Fuel filter | | |
| 19 | 476438 | 1 | Bracket | | |
| | (844024) | 1 | Bracket | | Spec 867842 |
| 20 | 960630 | 3 | Plug | | |
| 21 | 969011 | 3 | Gasket | | |
| 22 | 940162 | 1 | Hexagon screw | | L=38mm |
| | 955536 | 1 | Hexagon screw | | L=45mm |
| 23 | 960142 | 2 | Washer | | |
| 24 | 942336 | 2 | Spring washer | | |
| 25 | 955827 | 2 | Hexagon nut | | |
| 26 | 940114 | 2 | Hexagon screw | | |
| 27 | 942336 | 2 | Spring washer | | |
| 28 | 468480 | 1 | Fuel pipe | | |
| 29 | 468481 | 1 | Tube | | |
| 30 | 25167 | 4 | Hollow screw | | |
| 31 | 969011 | 8 | Gasket | | |
| 32 | 404279 | 4 | Clamp | | |
| 33 | 950047 | 2 | Cross recessed screw | | |
| 34 | 955825 | 2 | Hexagon nut | | |
| 35 | 470514 | 1 | Oil pressure pipe | | |
| 36 | 48634 | 1 | Hollow screw | | |
| 37 | 947281 | 2 | Gasket | | |
| 38 | 942081 | 1 | Hollow screw | | |
| 39 | 11994 | 1 | Gasket | | |
| 40 | 18666 | 1 | Gasket | | |
| 41 | 845938 | 1 | Fuel pipe | | |
| 42 | 25167 | 1 | Hollow screw | | |
| 43 | 969011 | 2 | Gasket | | |
| 44 | 422246 | 1 | Return pipe | | |
| 45 | 25167 | 1 | Hollow screw | | |
| 46 | 969011 | 2 | Gasket | | |
| 46A | 11998 | 1 | Gasket | | |
| 47 | 942007 | 1 | Hollow screw | | |
| 48 | 942703 | 1 | Gasket | | |
| 49 | 845937 | 1 | Fuel pipe | | |
| 50 | (821625) | 1 | Anchorage | | |
| 50A | 470181 | 5 | Attaching clamp | | 2-pipe |
| 50B | 470183 | 2 | Pipe retainer | | 4-pipe |
| 50C | 422323 | 1 | Bracket | | |
| 50D | 941906 | 1 | Spring washer | | |
| 50E | 940100 | 1 | Hexagon screw | | |
| 51 | 404279 | 1 | Clamp | | |

7746460-23-54157652

54001

Upd:7/24/2022

TD121GGP, TD121GGP-87

| REF | PART NO. | QTY | DESCRIPTION | SEE SEC. | NOTES |
|-----|----------|-----|----------------------|----------|----------------------------|
| 54 | 955825 | 1 | Hexagon nut | | |
| 55 | 404279 | 2 | Clamp | | |
| 56 | 950047 | 1 | Cross recessed screw | | |
| 57 | 955825 | 1 | Hexagon nut | | |
| 58 | 470185 | 1 | Leak-off line | | |
| 59 | 35096 | 1 | Overflow valve | | |
| 60 | 15304 | 1 | Gasket | | |
| 61 | 969011 | 2 | Gasket | | |
| 62 | 16496 | 1 | Hollow screw | | |
| 63 | 468748 | 6 | Injector | 54157649 | |
| | 3803245 | 6 | Injector | 54157649 | |
| | | | . | 54157649 | |
| 64 | 469455 | 6 | Sealing ring | | |
| 65 | 469797 | 6 | Yoke | | |
| 66 | 470560 | 6 | Stud | | |
| 67 | 971095 | 6 | Flange nut | | |
| 68 | 822564 | 1 | Leak-off line | | |
| 69 | 74034 | 1 | Hollow screw | | |
| 70 | 947620 | 3 | Gasket | | |
| 71 | 74033 | 6 | Hollow screw | | Included in fuel injector. |
| 72 | 946729 | 12 | Gasket | | Included in fuel injector. |
| 73 | 121563 | 1 | Clamp | | |
| 74 | 950044 | 1 | Cross recessed screw | | |
| 75 | 941906 | 1 | Spring washer | | |
| 76 | (465584) | 1 | Bracket | | |
| 77 | 940100 | 1 | Hexagon screw | | |
| 78 | 941906 | 1 | Spring washer | | |
| 79 | 468981 | 1 | Pressure pipe | | |
| 80 | 468982 | 1 | Pressure pipe | | |
| 81 | 468983 | 1 | Pressure pipe | | |
| 82 | 468984 | 1 | Pressure pipe | | |
| 83 | 468985 | 1 | Pressure pipe | | |
| 84 | 468986 | 1 | Pressure pipe | | |
| 85 | 845450 | 2 | Fuel hose | | |
| 86 | 956969 | 4 | Ferrule | | |
| 87 | 956983 | 4 | Fitting nut | | |

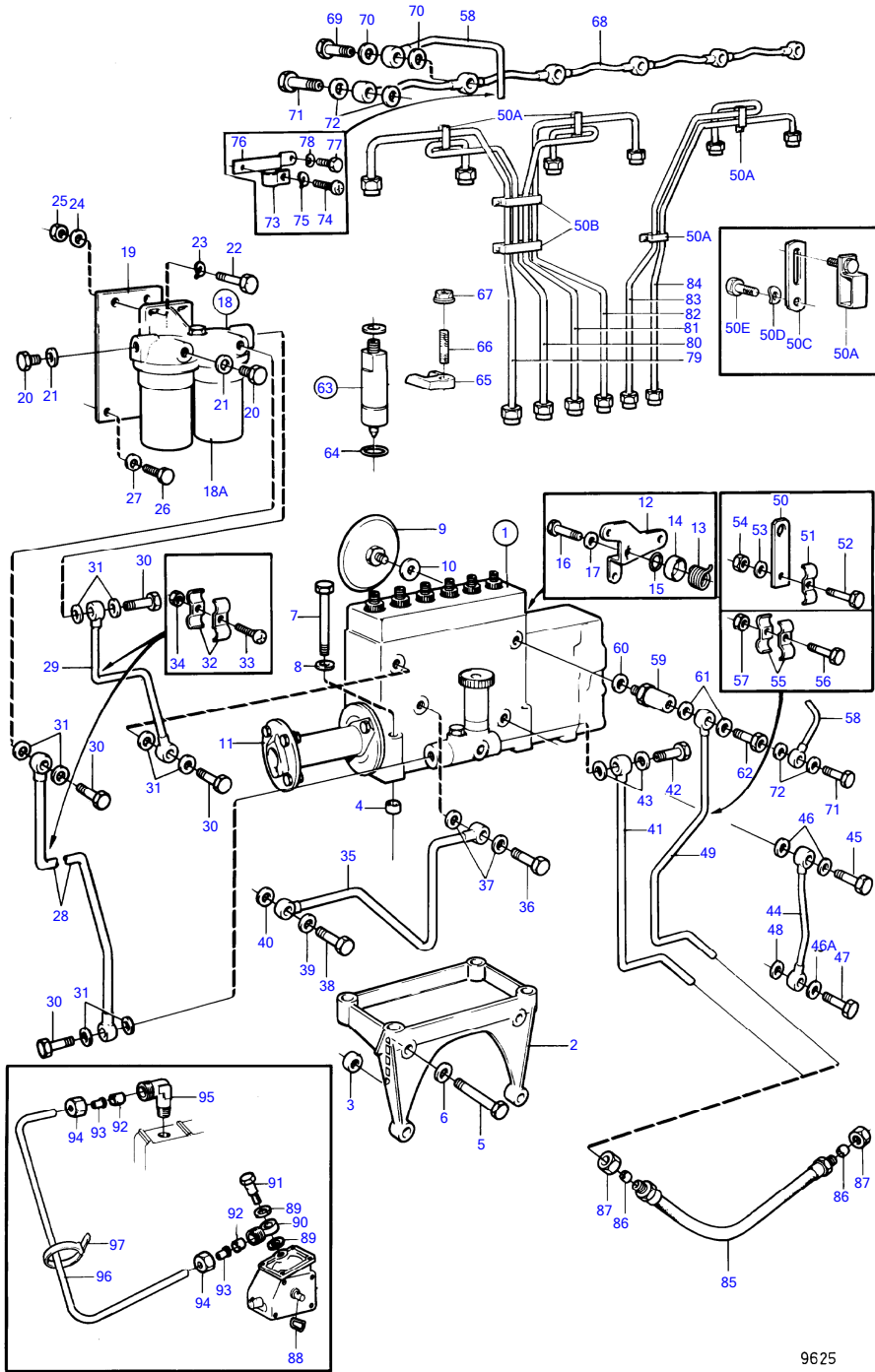
TID121K-87

| REF | PART NO. | QTY | DESCRIPTION | SEE SEC. | NOTES |
|-----|----------|-----|----------------------|----------|------------------------------------|
| 1 | 845216 | 1 | Injection pump | 54157685 | |
| | 3803682 | 1 | Injection pump, rema | 54157685 | |
| | | | . | 54157685 | |
| 2 | 478647 | 1 | Bracket | | (468558) |
| 3 | (423161) | 2 | Guide sleeve | | |
| 4 | 417588 | 1 | Guide sleeve | | |
| 5 | 955566 | 4 | Hexagon screw | | |
| 6 | 940280 | 4 | Spring washer | | |
| 7 | 940156 | 4 | Hexagon screw | | |
| 8 | 190509 | 4 | Washer | | |
| 9 | 477173 | 1 | Pressure equalizer | | |
| 10 | 969011 | 1 | Gasket | | |
| 11 | | 1 | pump coupling | 54157677 | |
| 12 | 848677 | 1 | Intermediate lever | | |
| 13 | 239056 | 1 | Spring | | Not for engine with stop solenoid. |
| 14 | (239059) | 1 | Cover | | Not for engine with stop solenoid. |
| 15 | 120265 | 1 | Washer | | |
| 18 | 471172 | 1 | Fuel filter housing | 54157651 | |
| | | | . | 54157651 | |
| 18A | 466987 | 2 | Fuel filter | | |
| 19 | 476438 | 1 | Bracket | | |
| 20 | 960630 | 3 | Plug | | |
| 21 | 969011 | 3 | Gasket | | |
| 22 | 940162 | 1 | Hexagon screw | | L=38mm |
| | 955536 | 1 | Hexagon screw | | L=45mm |
| 23 | 960142 | 2 | Washer | | |
| 24 | 942336 | 2 | Spring washer | | |
| 25 | 955827 | 2 | Hexagon nut | | |
| 26 | 940114 | 2 | Hexagon screw | | |
| 27 | 942336 | 2 | Spring washer | | |
| 28 | 468480 | 1 | Fuel pipe | | |
| 29 | 468481 | 1 | Tube | | |
| 30 | 25167 | 4 | Hollow screw | | |
| 31 | 969011 | 8 | Gasket | | |
| 32 | 404279 | 4 | Clamp | | |
| 33 | 950047 | 2 | Cross recessed screw | | |
| 34 | 955825 | 2 | Hexagon nut | | |
| 35 | 470514 | 1 | Oil pressure pipe | | |
| 36 | 48634 | 1 | Hollow screw | | |
| 37 | 947281 | 2 | Gasket | | |
| 38 | 942081 | 1 | Hollow screw | | |
| 39 | 11994 | 1 | Gasket | | |
| 40 | 18666 | 1 | Gasket | | |
| 41 | 845938 | 1 | Fuel pipe | | |
| 42 | 25167 | 1 | Hollow screw | | |
| 43 | 969011 | 2 | Gasket | | |
| 44 | 422246 | 1 | Return pipe | | |
| 45 | 25167 | 1 | Hollow screw | | |
| 46 | 969011 | 2 | Gasket | | |
| 46A | 11998 | 1 | Gasket | | |
| 47 | 942007 | 1 | Hollow screw | | |
| 48 | 942703 | 1 | Gasket | | |
| 49 | 845937 | 1 | Fuel pipe | | |
| 50 | (821625) | 1 | Anchorage | | |
| 50A | 470181 | 5 | Attaching clamp | | 2-pipe |
| 50B | 470183 | 2 | Pipe retainer | | 4-pipe |
| 50C | 422323 | 1 | Bracket | | |
| 50D | 941906 | 1 | Spring washer | | |
| 50E | 940100 | 1 | Hexagon screw | | |
| 51 | 404279 | 1 | Clamp | | |
| 52 | 950048 | 1 | Cross recessed screw | | |
| 53 | 955893 | 1 | Washer | | |
| 54 | 955825 | 1 | Hexagon nut | | |

TID121KGP

| REF | PART NO. | QTY | DESCRIPTION | SEE SEC. | NOTES |
|-----|----------|-----|----------------------|----------|----------------------------|
| 55 | 404279 | 2 | Clamp | | |
| 56 | 950047 | 1 | Cross recessed screw | | |
| 57 | 955825 | 1 | Hexagon nut | | |
| 58 | 470185 | 1 | Leak-off line | | |
| 59 | 35096 | 1 | Overflow valve | | |
| 60 | 15304 | 1 | Gasket | | |
| 61 | 969011 | 2 | Gasket | | |
| 62 | 16496 | 1 | Hollow screw | | |
| 63 | 468748 | 6 | Injector | 54157649 | |
| | 3803245 | 6 | Injector | 54157649 | |
| | | | . | 54157649 | |
| 64 | 469455 | 6 | Sealing ring | | |
| 65 | 469797 | 6 | Yoke | | |
| 66 | 470560 | 6 | Stud | | |
| 67 | 971095 | 6 | Flange nut | | |
| 68 | 822564 | 1 | Leak-off line | | |
| 69 | 74034 | 1 | Hollow screw | | |
| 70 | 947620 | 3 | Gasket | | |
| 71 | 74033 | 6 | Hollow screw | | Included in fuel injector. |
| 72 | 946729 | 12 | Gasket | | Included in fuel injector. |
| 73 | 121563 | 1 | Clamp | | |
| 74 | 950044 | 1 | Cross recessed screw | | |
| 75 | 941906 | 1 | Spring washer | | |
| 76 | (465584) | 1 | Bracket | | |
| 77 | 940100 | 1 | Hexagon screw | | |
| 78 | 941906 | 1 | Spring washer | | |
| 79 | 468981 | 1 | Pressure pipe | | |
| 80 | 468982 | 1 | Pressure pipe | | |
| 81 | 468983 | 1 | Pressure pipe | | |
| 82 | 468984 | 1 | Pressure pipe | | |
| 83 | 468985 | 1 | Pressure pipe | | |
| 84 | 468986 | 1 | Pressure pipe | | |
| 85 | 845450 | 2 | Fuel hose | | |
| 86 | 956969 | 4 | Ferrule | | |
| 87 | 956983 | 4 | Fitting nut | | |

TD121G, TD121GG



9625

TID121KPB

| REF | PART NO. | QTY | DESCRIPTION | SEE SEC. | NOTES |
|-----|----------|-----|----------------------|----------|------------------------------------|
| 1 | 845216 | 1 | Injection pump | 54157685 | |
| | 3803682 | 1 | Injection pump, rema | 54157685 | |
| | | | . | 54157685 | |
| 2 | 478647 | 1 | Bracket | | (468558) |
| 3 | (423161) | 2 | Guide sleeve | | |
| 4 | 417588 | 1 | Guide sleeve | | |
| 5 | 955566 | 4 | Hexagon screw | | |
| 6 | 940280 | 4 | Spring washer | | |
| 7 | 940156 | 4 | Hexagon screw | | |
| 8 | 190509 | 4 | Washer | | |
| 9 | 477173 | 1 | Pressure equalizer | | |
| 10 | 969011 | 1 | Gasket | | |
| 11 | | 1 | pump coupling | 54157677 | |
| 12 | 848677 | 1 | Intermediate lever | | |
| 13 | 239056 | 1 | Spring | | Not for engine with stop solenoid. |
| 14 | (239059) | 1 | Cover | | Not for engine with stop solenoid. |
| 15 | 120265 | 1 | Washer | | |
| 18 | 471172 | 1 | Fuel filter housing | 54157651 | |
| | | | . | 54157651 | |
| 18A | 466987 | 2 | Fuel filter | | |
| 19 | 476438 | 1 | Bracket | | |
| 20 | 960630 | 3 | Plug | | |
| 21 | 969011 | 3 | Gasket | | |
| 22 | 940162 | 1 | Hexagon screw | | L=38mm |
| | 955536 | 1 | Hexagon screw | | L=45mm |
| 23 | 960142 | 2 | Washer | | |
| 24 | 942336 | 2 | Spring washer | | |
| 25 | 955827 | 2 | Hexagon nut | | |
| 26 | 940114 | 2 | Hexagon screw | | |
| 27 | 942336 | 2 | Spring washer | | |
| 28 | 468480 | 1 | Fuel pipe | | |
| 29 | 468481 | 1 | Tube | | |
| 30 | 25167 | 4 | Hollow screw | | |
| 31 | 969011 | 8 | Gasket | | |
| 32 | 404279 | 4 | Clamp | | |
| 33 | 950047 | 2 | Cross recessed screw | | |
| 34 | 955825 | 2 | Hexagon nut | | |
| 35 | 470514 | 1 | Oil pressure pipe | | |
| 36 | 48634 | 1 | Hollow screw | | |
| 37 | 947281 | 2 | Gasket | | |
| 38 | 942081 | 1 | Hollow screw | | |
| 39 | 11994 | 1 | Gasket | | |
| 40 | 18666 | 1 | Gasket | | |
| 41 | 845938 | 1 | Fuel pipe | | |
| 42 | 25167 | 1 | Hollow screw | | |
| 43 | 969011 | 2 | Gasket | | |
| 44 | 422246 | 1 | Return pipe | | |
| 45 | 25167 | 1 | Hollow screw | | |
| 46 | 969011 | 2 | Gasket | | |
| 46A | 11998 | 1 | Gasket | | |
| 47 | 942007 | 1 | Hollow screw | | |
| 48 | 942703 | 1 | Gasket | | |
| 49 | 845937 | 1 | Fuel pipe | | |
| 50 | (821625) | 1 | Anchorage | | |
| 50A | 470181 | 5 | Attaching clamp | | 2-pipe |
| 50B | 470183 | 2 | Pipe retainer | | 4-pipe |
| 50C | 422323 | 1 | Bracket | | |
| 50D | 941906 | 1 | Spring washer | | |
| 50E | 940100 | 1 | Hexagon screw | | |
| 51 | 404279 | 1 | Clamp | | |
| 52 | 950048 | 1 | Cross recessed screw | | |
| 53 | 955893 | 1 | Washer | | |
| 54 | 955825 | 1 | Hexagon nut | | |

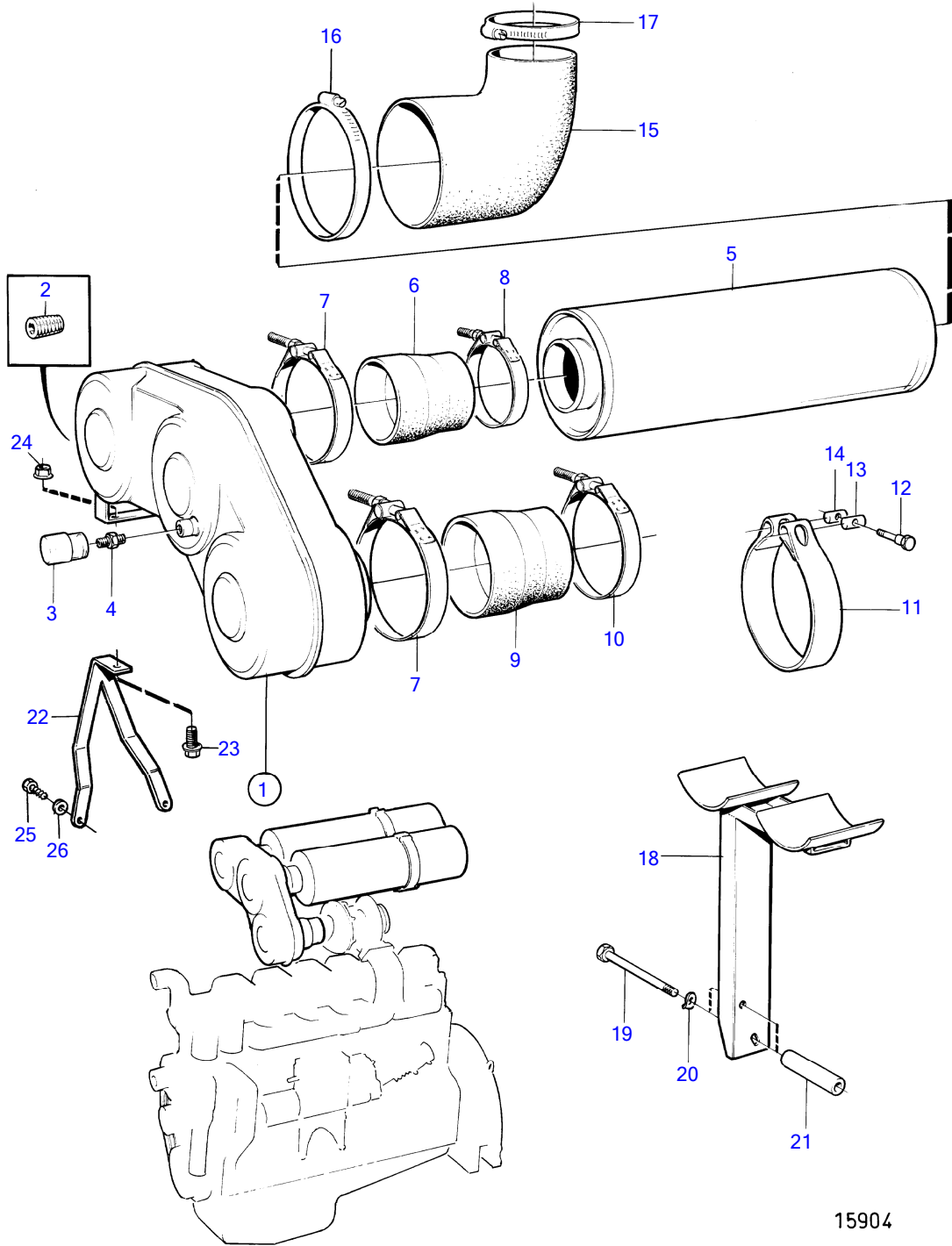
7746460-23-54157669

54001

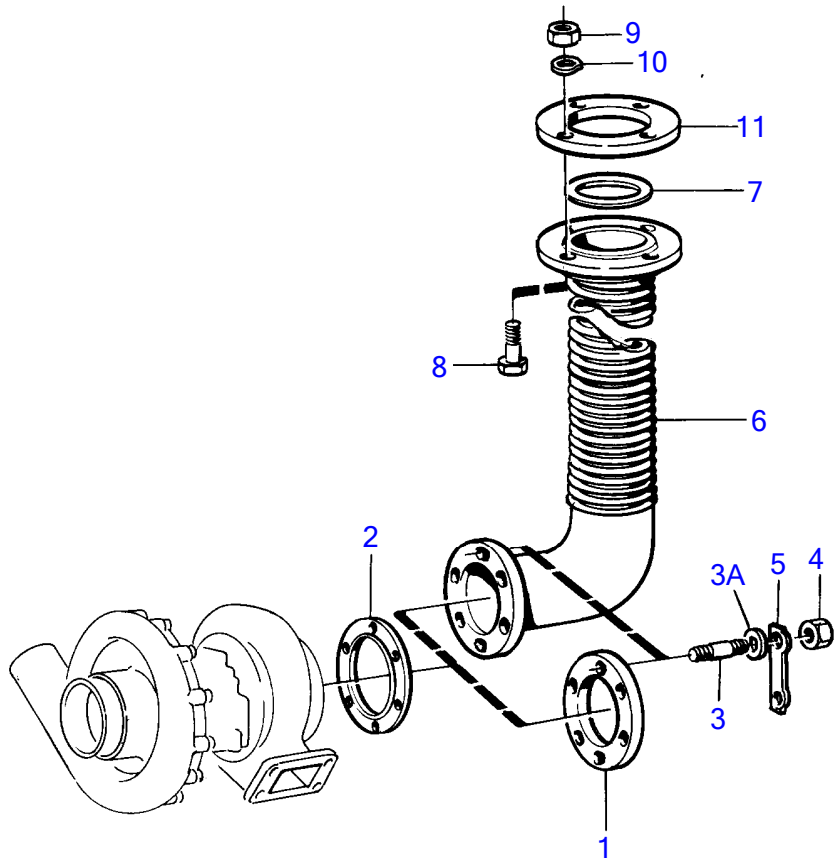
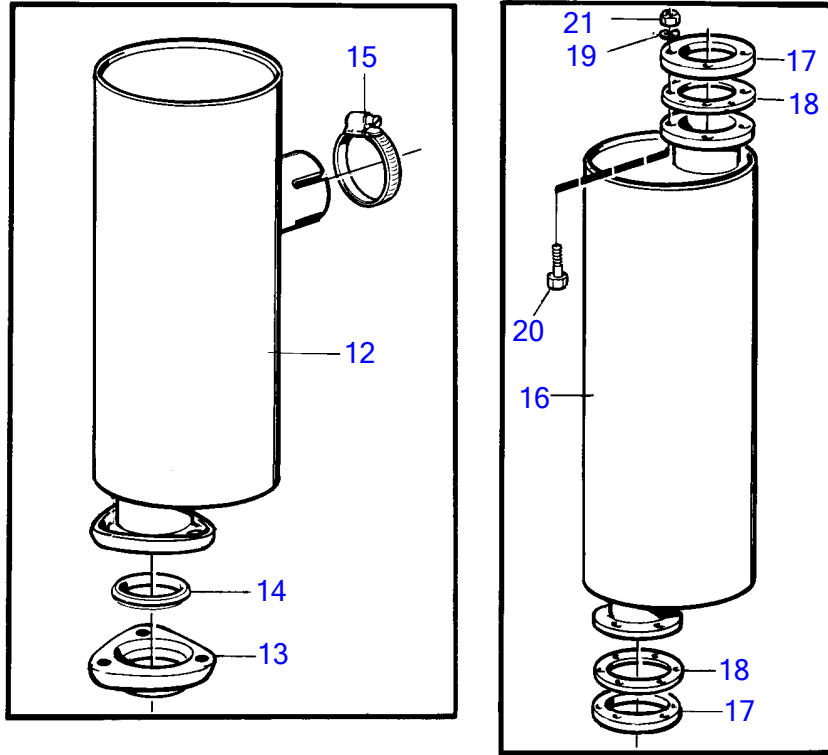
Upd:7/24/2022

| REF | PART NO. | QTY | DESCRIPTION | SEE SEC. | NOTES |
|-----|----------|-----|----------------------|----------|----------------------------|
| 53 | 955893 | 1 | Washer | | |
| 54 | 955825 | 1 | Hexagon nut | | |
| 55 | 404279 | 2 | Clamp | | |
| 56 | 950047 | 1 | Cross recessed screw | | |
| 57 | 955825 | 1 | Hexagon nut | | |
| 58 | 470185 | 1 | Leak-off line | | |
| 59 | 35096 | 1 | Overflow valve | | |
| 60 | 15304 | 1 | Gasket | | |
| 61 | 969011 | 2 | Gasket | | |
| 62 | 16496 | 1 | Hollow screw | | |
| 63 | 468748 | 6 | Injector | 54157649 | |
| | 3803245 | 6 | Injector | 54157649 | |
| | | | . | 54157649 | |
| 64 | 469455 | 6 | Sealing ring | | |
| 65 | 469797 | 6 | Yoke | | |
| 66 | 470560 | 6 | Stud | | |
| 67 | 971095 | 6 | Flange nut | | |
| 68 | 822564 | 1 | Leak-off line | | |
| 69 | 74034 | 1 | Hollow screw | | |
| 70 | 947620 | 3 | Gasket | | |
| 71 | 74033 | 6 | Hollow screw | | Included in fuel injector. |
| 72 | 946729 | 12 | Gasket | | Included in fuel injector. |
| 73 | 121563 | 1 | Clamp | | |
| 74 | 950044 | 1 | Cross recessed screw | | |
| 75 | 941906 | 1 | Spring washer | | |
| 76 | (465584) | 1 | Bracket | | |
| 77 | 940100 | 1 | Hexagon screw | | |
| 78 | 941906 | 1 | Spring washer | | |
| 79 | 468981 | 1 | Pressure pipe | | |
| 80 | 468982 | 1 | Pressure pipe | | |
| 81 | 468983 | 1 | Pressure pipe | | |
| 82 | 468984 | 1 | Pressure pipe | | |
| 83 | 468985 | 1 | Pressure pipe | | |
| 84 | 468986 | 1 | Pressure pipe | | |
| 85 | 845450 | 2 | Fuel hose | | |
| 86 | 956969 | 4 | Ferrule | | |
| 87 | 956983 | 4 | Fitting nut | | |
| 88 | (422525) | 1 | Attaching lug | | |
| 89 | 11994 | 2 | Gasket | | |
| 90 | 945417 | 1 | Banjo nipple | | |
| 91 | 969299 | 1 | Hollow screw | | |
| 92 | 954364 | 2 | Sleeve | | |
| 93 | 944717 | 2 | Support sleeve | | |
| 94 | 954356 | 2 | Fitting nut | | |
| 95 | 954385 | 1 | Elbow nipple | | |
| 96 | 945460 | 1 | Tube | | L=1080mm |
| 97 | 948211 | 2 | Cable tie | | |

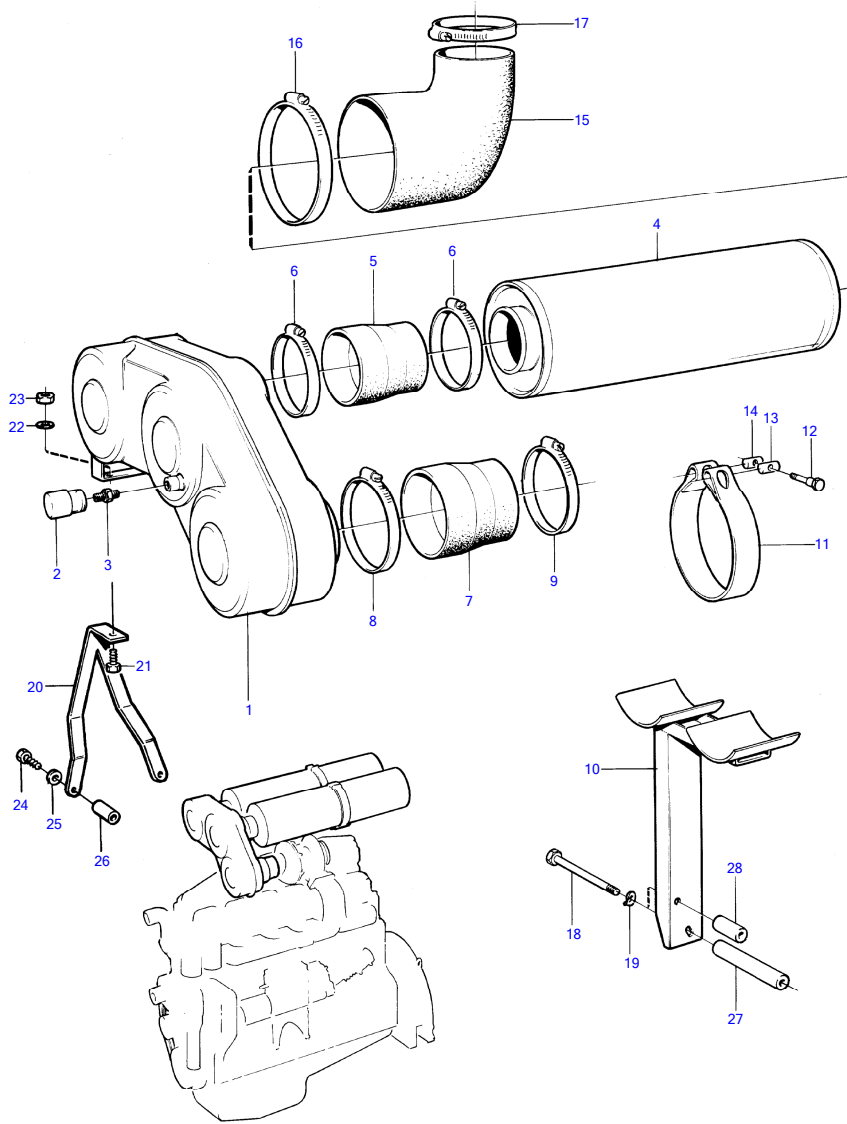
TD121GP



TD121GP

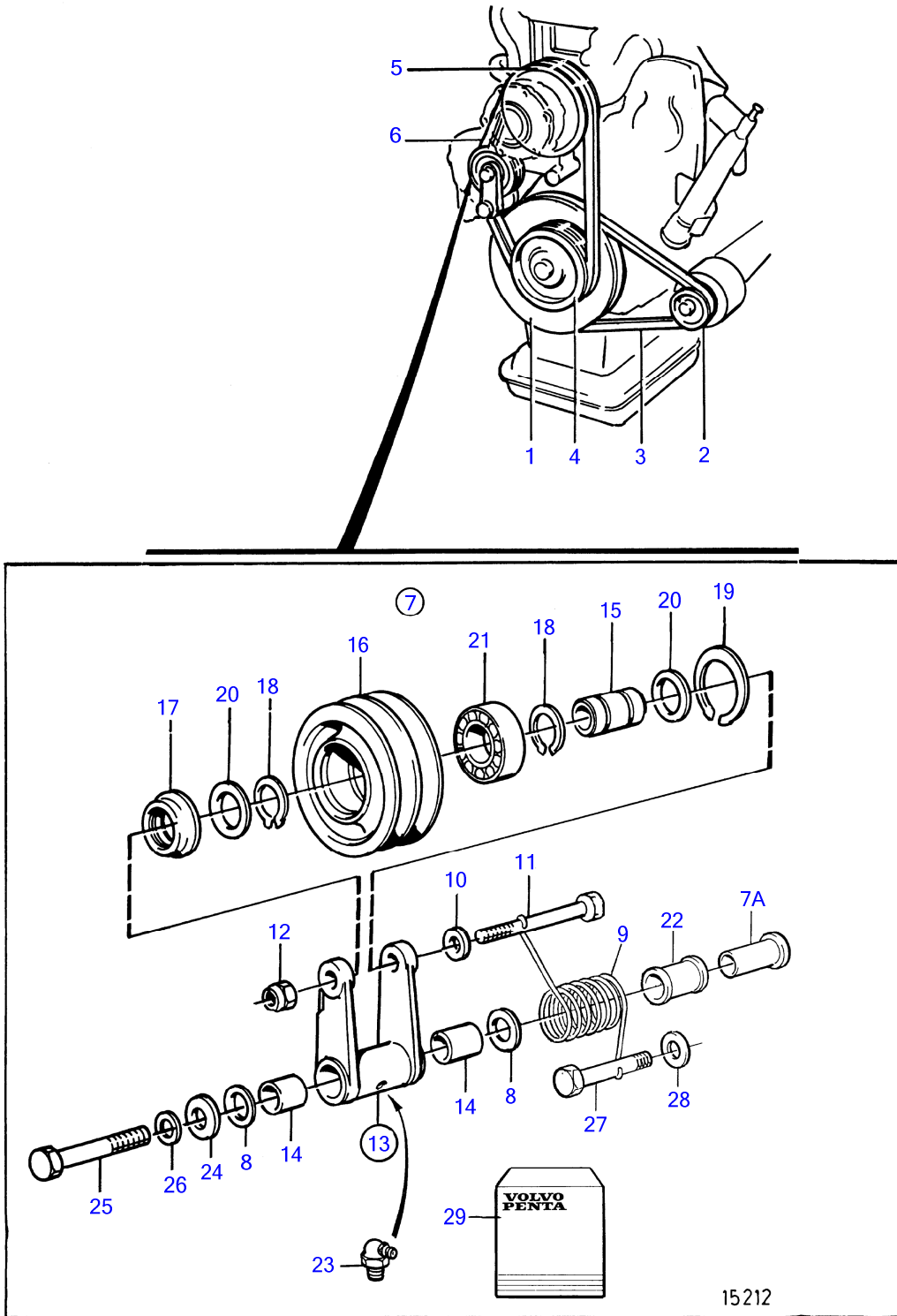


TD120HP

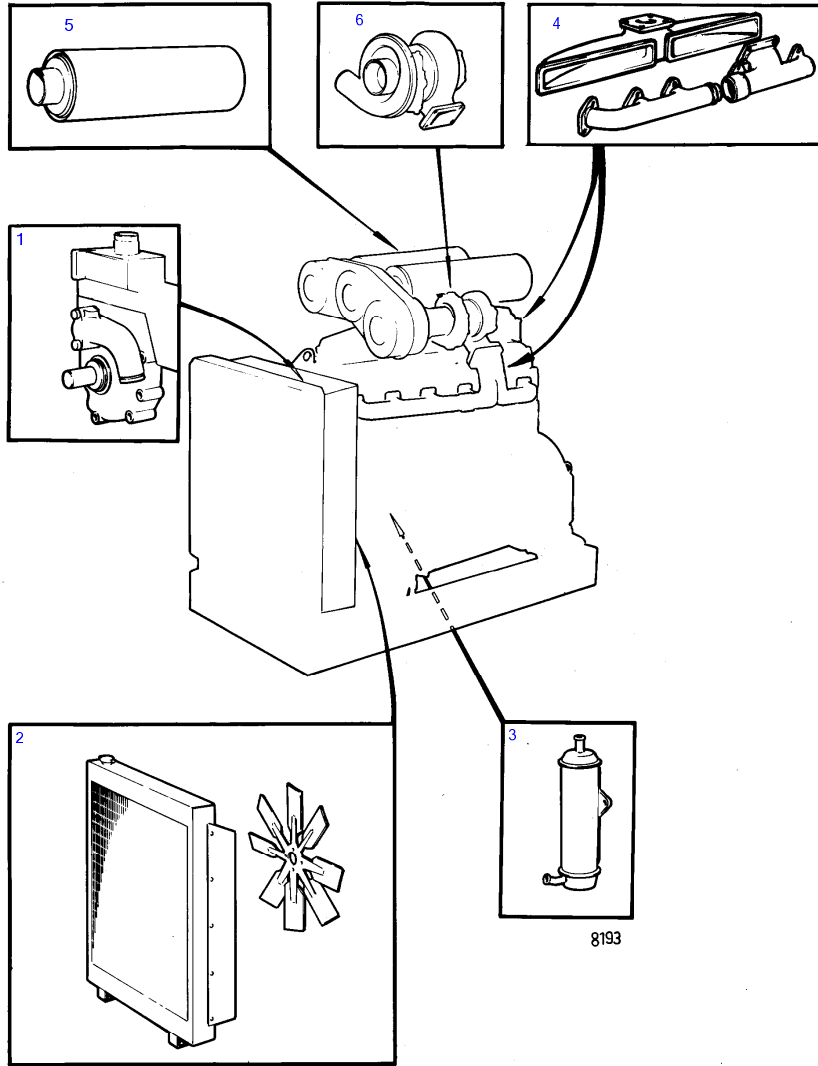


9973

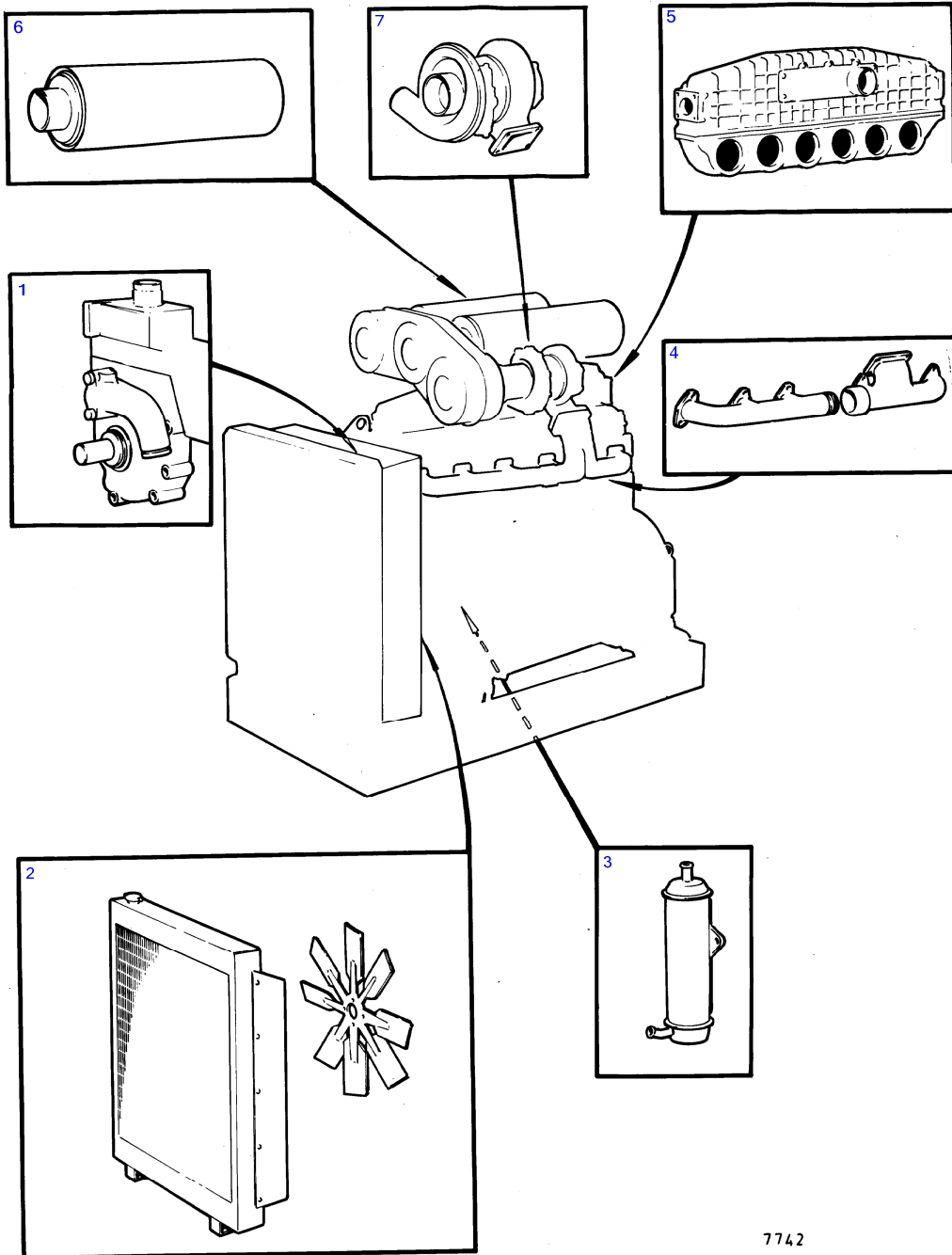
TD121GP



TD120HP

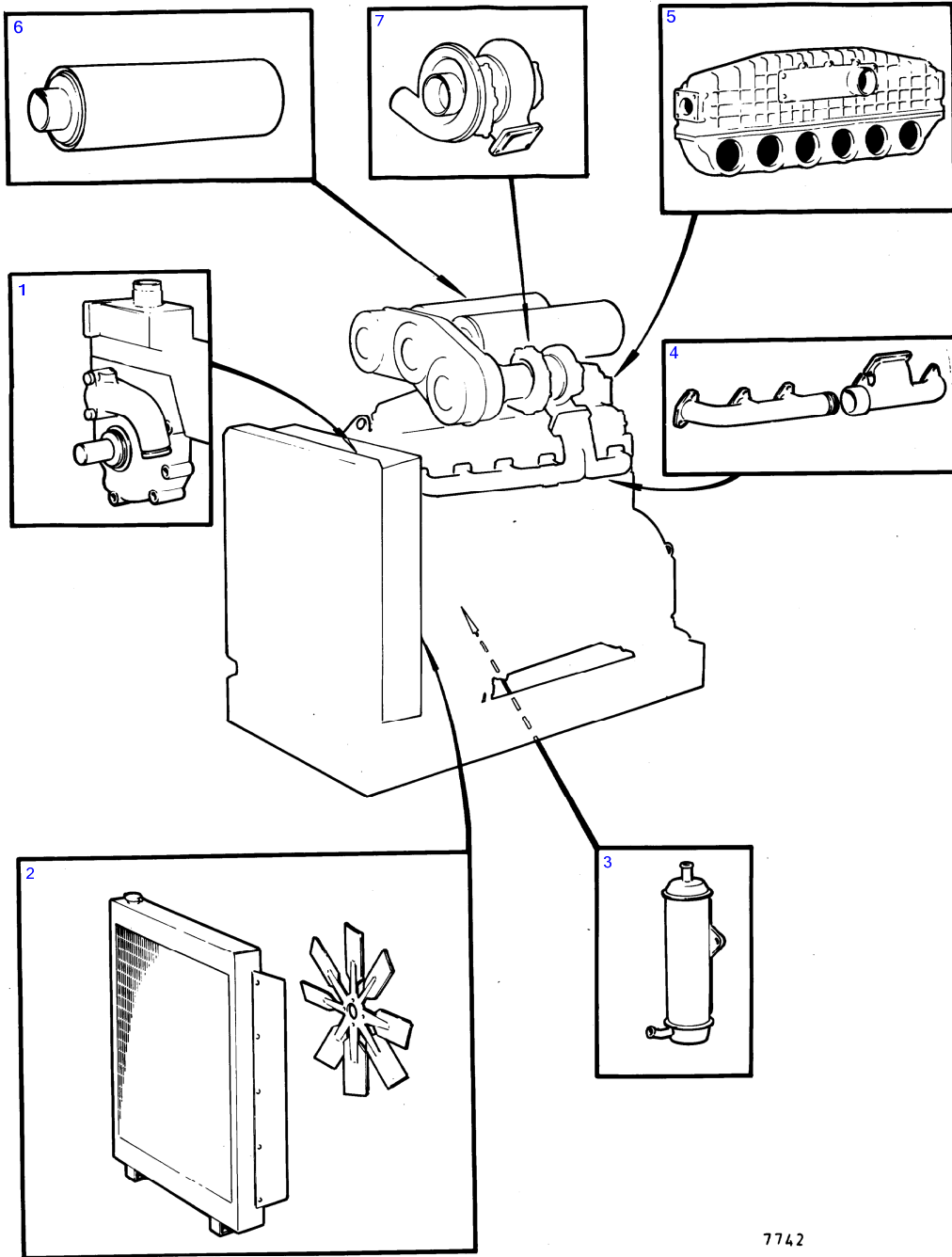


TID121LG

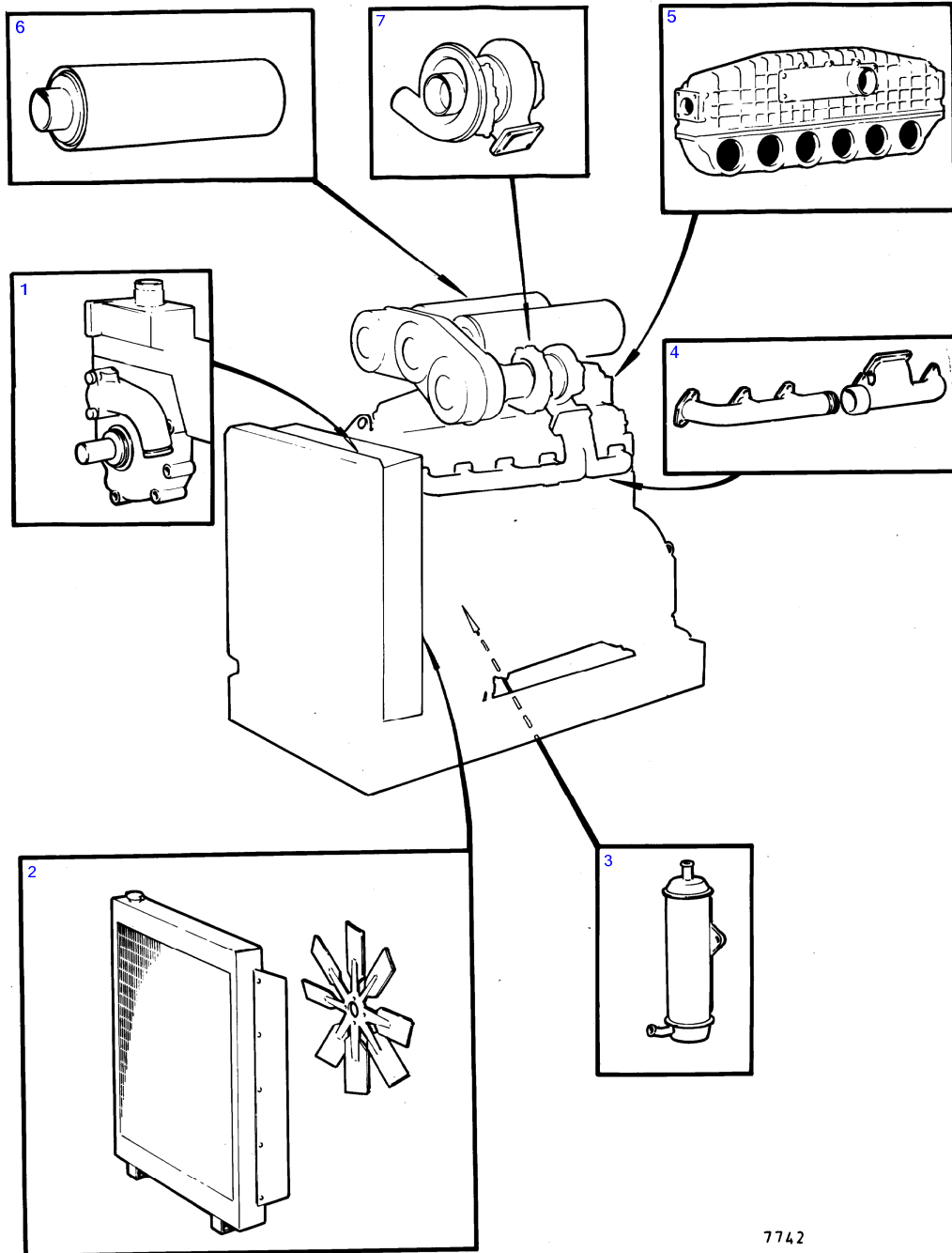


7742

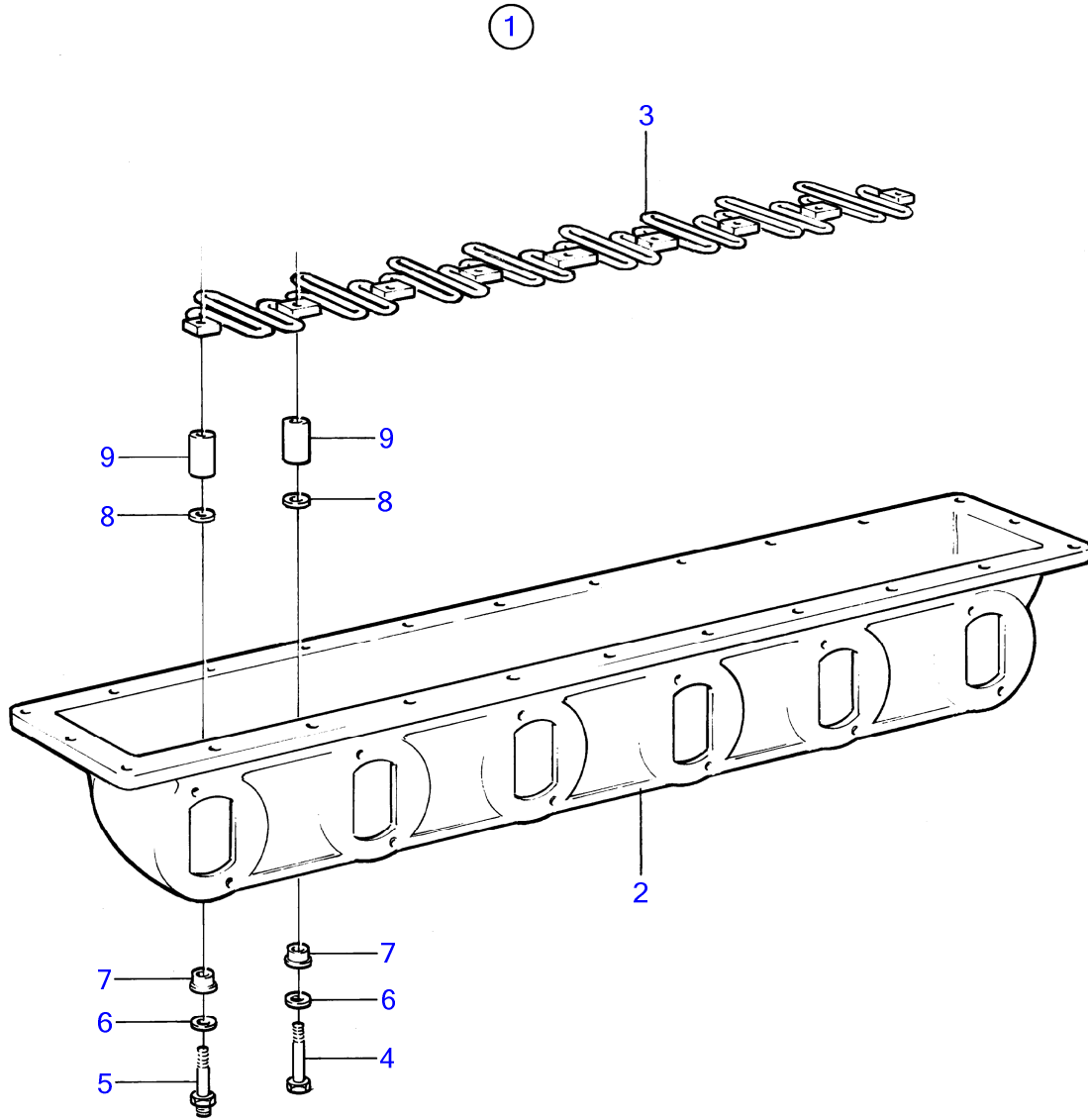
TID121K



7742

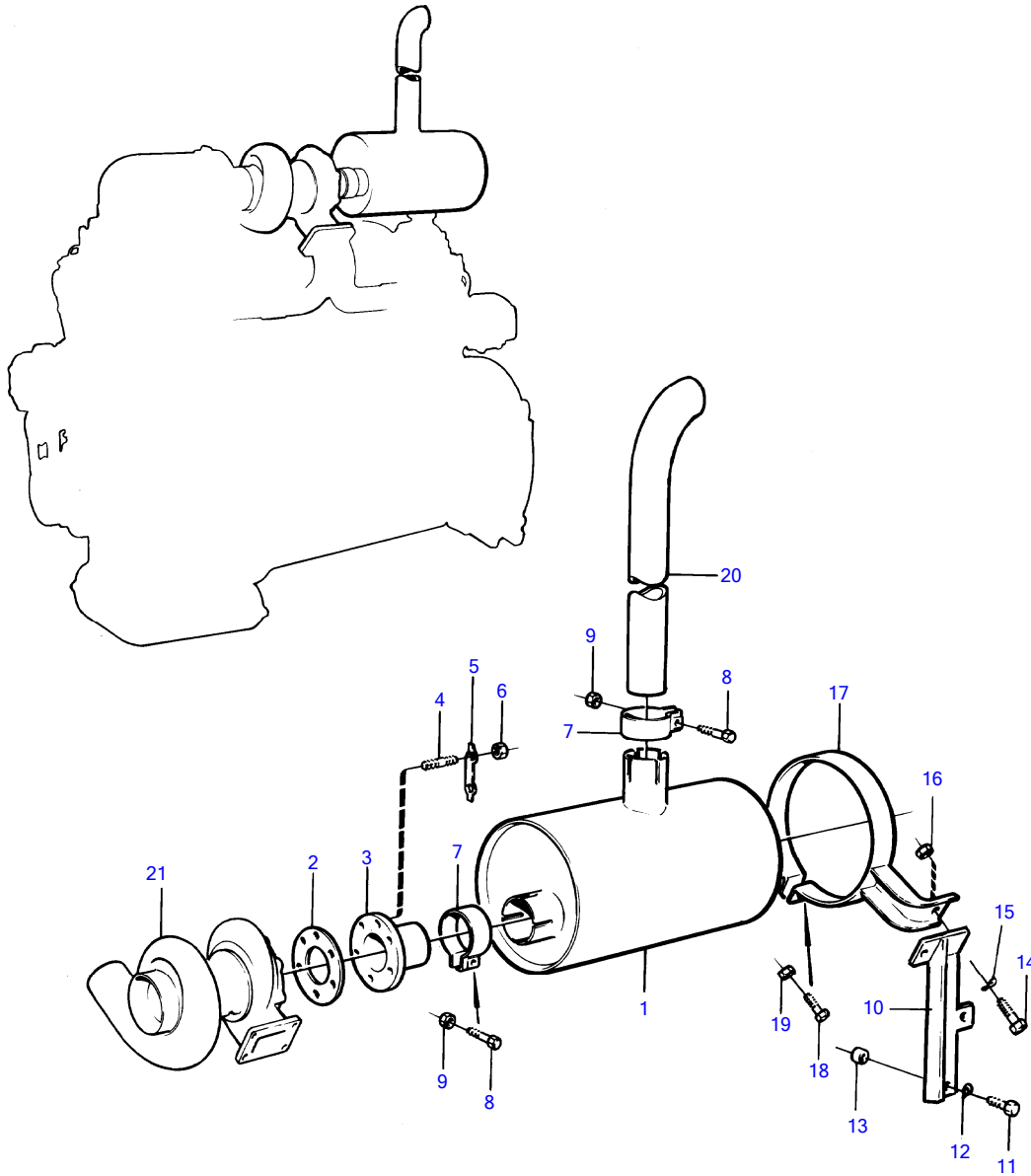


7742



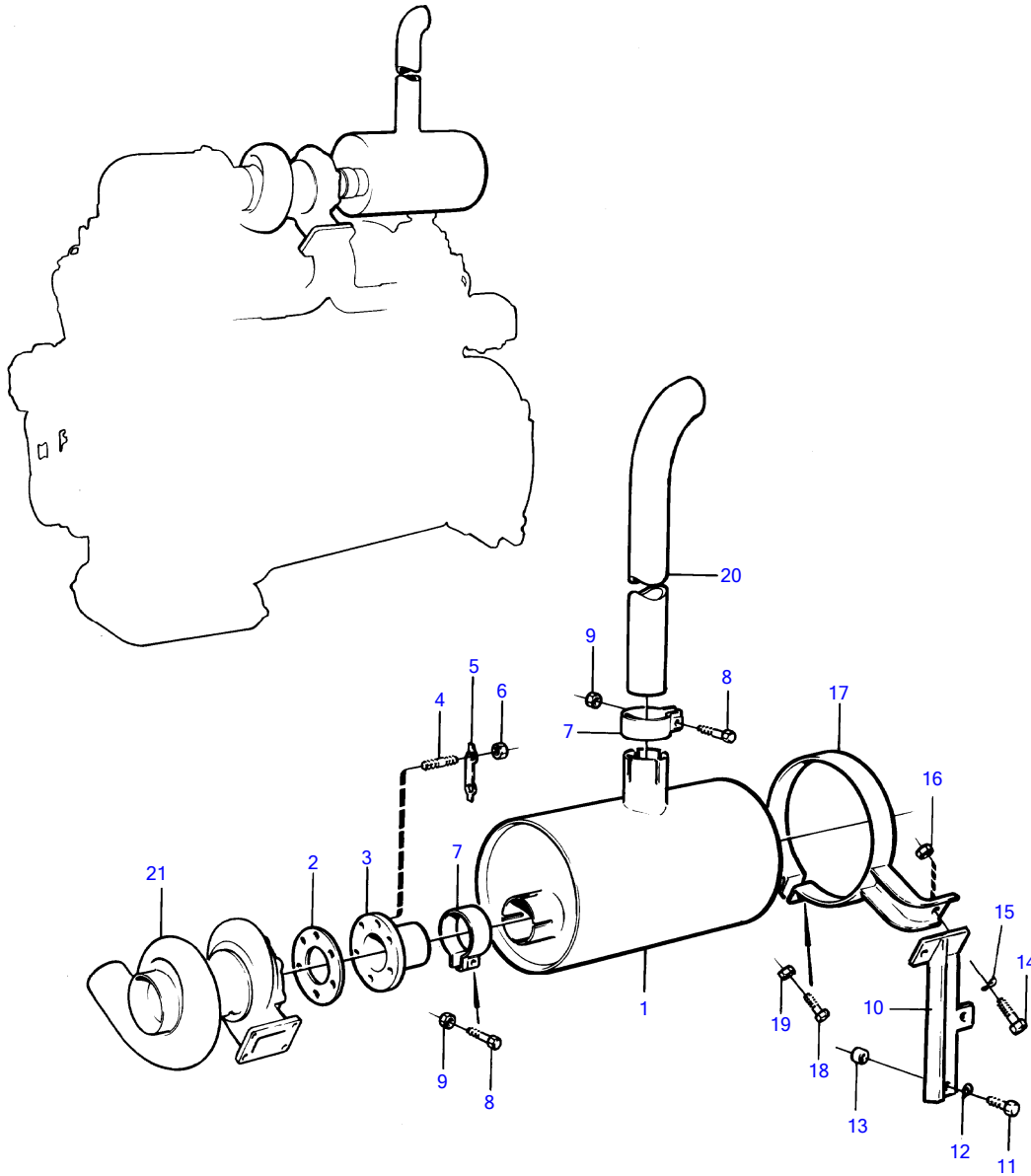
10792

TD120HP



10793

TID121KP



10793

CLICK HERE TO **DOWNLOAD** THE COMPLETE MANUAL

- Thank you very much for reading the preview of the manual.
- You can download the complete manual from: www.heydownloads.com by clicking the link below



- Please note: If there is no response to CLICKING the link, please download this PDF first and then click on it.

CLICK HERE TO **DOWNLOAD** THE COMPLETE MANUAL

TD121GG

| REF | PART NO. | QTY | DESCRIPTION | SEE SEC. | NOTES |
|-----|----------|-----|------------------|----------|-------------------|
| | 843869 | 1 | Fan, pusher type | | D=750mm |
| 61 | (847374) | 1 | Spacer ring | | |
| 62 | 955540 | 6 | Hexagon screw | | For 847374 |
| | 955535 | 6 | Hexagon screw | | |
| 63 | 942336 | 6 | Spring washer | | |
| 64 | 476438 | 1 | Bracket | | See group 2C |
| 65 | 475888 | 1 | Anchorage | 54157604 | |
| 66 | (847377) | 1 | Radiator stay | | |
| 67 | 252203 | 4 | Rubber washer | | |
| 68 | 252202 | 2 | Spacer sleeve | | |
| 69 | 191940 | 4 | Washer | | |
| 70 | 941912 | 2 | Spring washer | | |
| 71 | 955793 | 3 | Hexagon nut | | |
| 72 | 948092 | 1 | T-pipe | | Late type |
| 73 | 994556 | 4 | Hose clamp | | Late type |
| 74 | 13776 | X | Hose | | L=450mm late type |
| 75 | 13776 | X | Hose | | L=700mm late type |

7746460-26-54157627

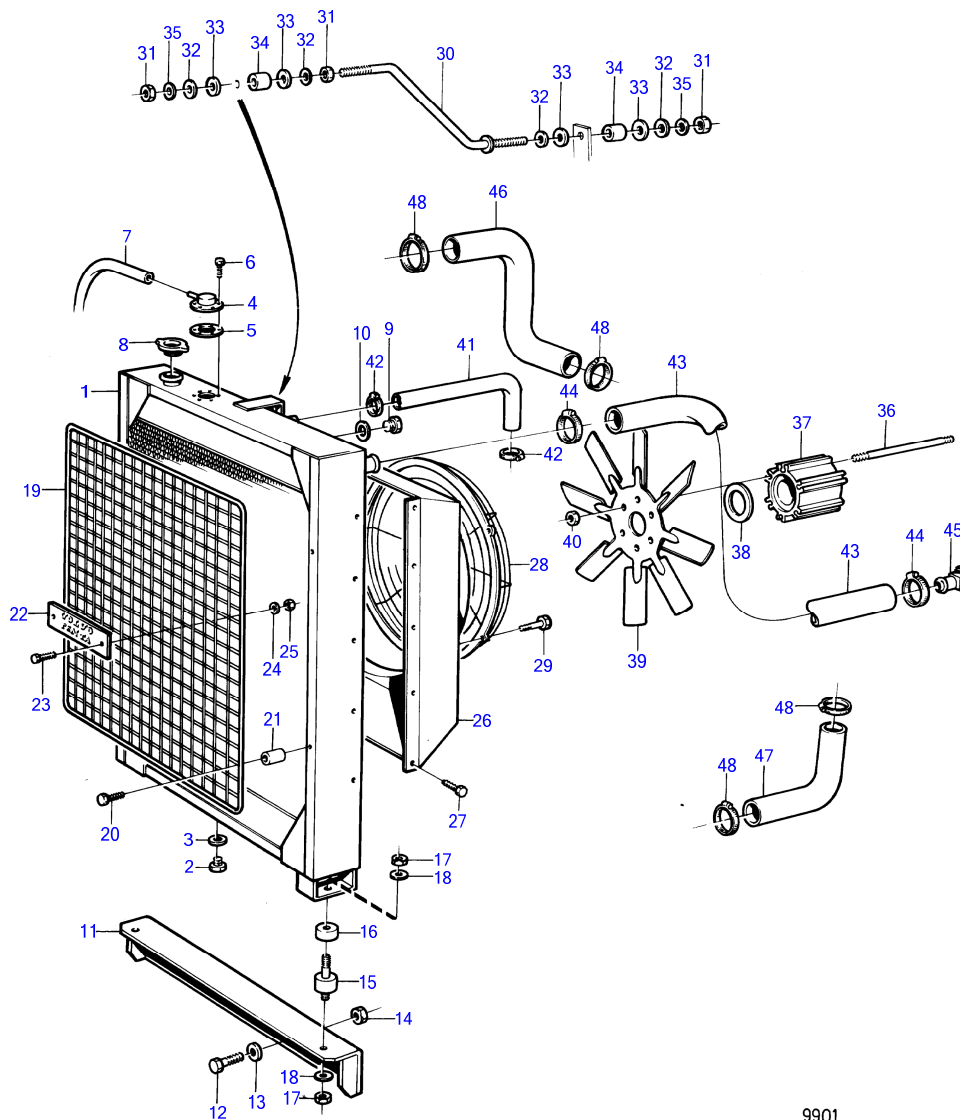
54050

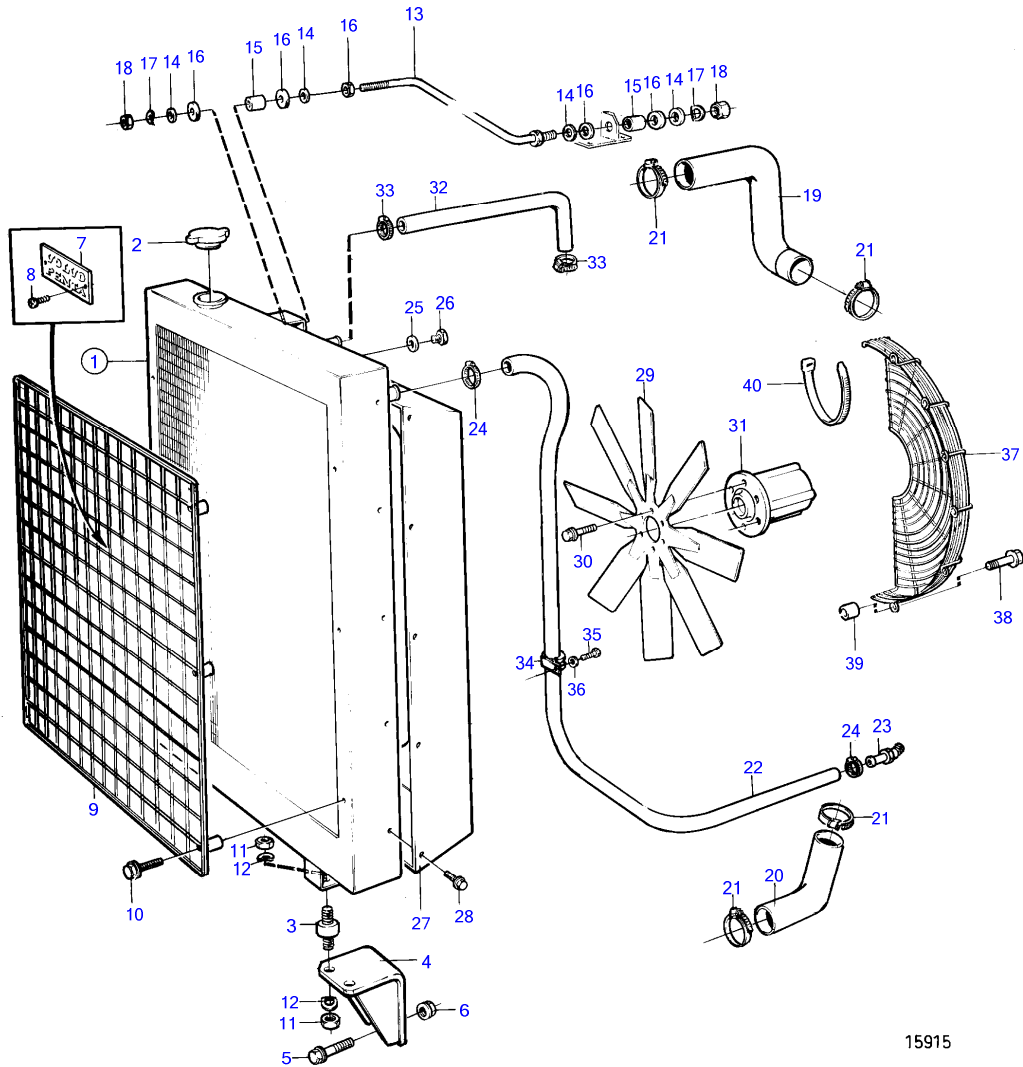
Upd:7/24/2022

TD120HP, TD121G, TD121GG, TD121GGP, TD121GGP-87, TD121GP, TD121GPB, TID121K, TID121K-87,
TID121KG, TID121KGP, TID121KP, TID121KP

VOLVO
PENTA

TD121GGP-87





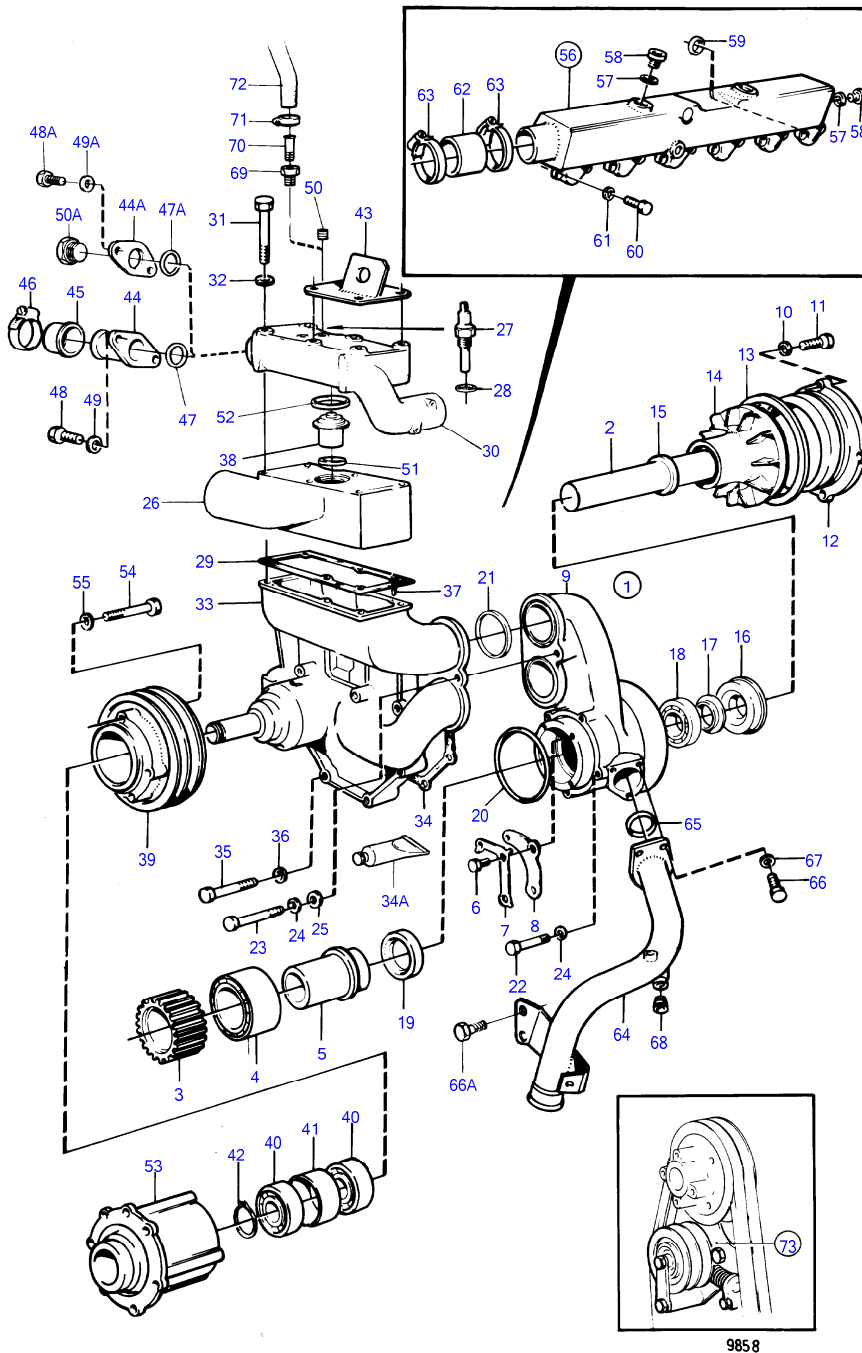
TD121G

| REF | PART NO. | QTY | DESCRIPTION | SEE SEC. | NOTES |
|-----|----------|-----|--------------------|----------|---|
| 1 | 1545261 | 1 | Water pump | | |
| 2 | 468249 | 1 | • Shaft | | |
| 3 | 470265 | 1 | • Gear | | |
| 4 | 181286 | 1 | • Ball bearing | | |
| 5 | 468247 | 1 | • Spindle | | |
| 6 | 940100 | 3 | • Hexagon screw | | |
| 7 | 1545359 | 1 | • Lock plate | | |
| 8 | 1545358 | 2 | • Lock plate | | |
| 9 | | 1 | • housing | | |
| 10 | 941906 | 4 | • Spring washer | | |
| 11 | 955513 | 4 | • Hexagon screw | | |
| 12 | 469418 | 1 | • Cover | | |
| 13 | 925262 | 1 | • O-ring | | |
| 14 | 468244 | 1 | • Impeller | | |
| 15 | 421306 | 1 | • Wear ring | | |
| 16 | 1545283 | 1 | • Sealing ring | | |
| 17 | 70913 | 1 | • Deflector | | |
| 18 | 1660609 | 1 | • Ball bearing | | |
| 19 | 958811 | 1 | • Sealing ring | | |
| 20 | 925257 | 1 | O-ring | | |
| 21 | 1664473 | 2 | O-ring | | (925254) |
| 22 | 955542 | 4 | Hexagon screw | | |
| 23 | 955535 | 1 | Hexagon screw | | |
| 24 | 942336 | 5 | Spring washer | | |
| 25 | 940097 | 1 | Washer | | |
| 26 | 470396 | 1 | Thermostat housing | | |
| 27 | 827150 | 1 | Sensor | | See group 3 |
| 28 | 11996 | 1 | Gasket | | |
| 29 | 423352 | 1 | Gasket | | |
| 30 | (470395) | 1 | Thermostat housing | | |
| 31 | 959798 | 6 | Hexagon screw | | |
| 32 | 940097 | 2 | Washer | | |
| 33 | (468635) | 1 | Lower section | | |
| 34 | 423351 | 1 | Gasket | | If gasket has been used,you should use gasket again |
| 34A | 1161231 | X | Sealant | | If silicone rubber has been used,use silicone rubber again |
| 35 | 955535 | 5 | Hexagon screw | | L=32mm |
| | 955541 | 2 | Hexagon screw | | L=76mm |
| 36 | 942336 | 7 | Spring washer | | |
| 37 | 951973 | 2 | Spring pin | | |
| 38 | 1544683 | 1 | Thermostat | | 82° |
| 39 | 468445 | 1 | V-belt pulley | | |
| 40 | | 2 | ball bearing | | Replaced by repair kit 876613, which contains 2ea ball sender, spacer sleeve and circlip. |
| 41 | | 1 | spacer sleeve | | Replaced by repair kit 876613, which contains 2ea ball sender, spacer sleeve and circlip. |
| 42 | | 1 | circlip | | Replaced by repair kit 876613, which contains 2ea ball sender, spacer sleeve and circlip. |
| 43 | 475888 | 1 | Anchorage | 54157627 | |
| 44 | 845435 | 1 | Connecting pipe | | |
| 45 | 845422 | 1 | Plastic plug | | |
| 46 | 994560 | 1 | Hose clamp | | |
| 47 | 949658 | 1 | O-ring | | (469477) |
| 48 | 940135 | 2 | Hexagon screw | | |
| 49 | 941907 | 2 | Spring washer | | |
| 50 | 952077 | 2 | Plug | | |
| 51 | 1544710 | 1 | Sealing ring | | |
| 52 | 1544410 | 1 | Sealing ring | | |
| 53 | 476976 | 1 | Fan hub | | |
| 54 | 955536 | 4 | Hexagon screw | | |
| 55 | 942336 | 4 | Spring washer | | |
| 56 | 847512 | 1 | Coolant pipe | | |
| 57 | 468463 | 3 | • Gasket | | |

TD121GP

| REF | PART NO. | QTY | DESCRIPTION | SEE SEC. | NOTES |
|-----|----------|-----|--|----------|---------------|
| 58 | 467366 | 3 | • Plug | | |
| 59 | 423281 | 6 | O-ring | | |
| 60 | 955525 | 12 | Hexagon screw | | |
| 61 | 941907 | 12 | Spring washer | | |
| 62 | 470464 | 1 | Radiator hose | | |
| 63 | 943479 | 2 | Hose clamp | | (943480) |
| 64 | 847449 | 1 | Connecting pipe | 54157627 | |
| 65 | 925092 | 1 | O-ring | | |
| 66 | 940135 | 3 | Hexagon screw | | |
| 66A | 955536 | 2 | Hexagon screw | | |
| 67 | 941907 | 3 | Spring washer | | |
| 68 | 952077 | 2 | Plug | | |
| 69 | 190130 | 1 | Reduction nipple | | ** |
| 70 | 192555 | 1 | Nipple | | |
| 71 | 994556 | X | Hose clamp | | |
| 72 | 13776 | 1 | Hose | | |
| 73 | | 1 | automatic belt tensioner and belt transmission | 54157624 | |
| | | 1 | repair kit water pump | 54157624 | See group 10A |

TD121GGP, TD121GGP-87



985 8

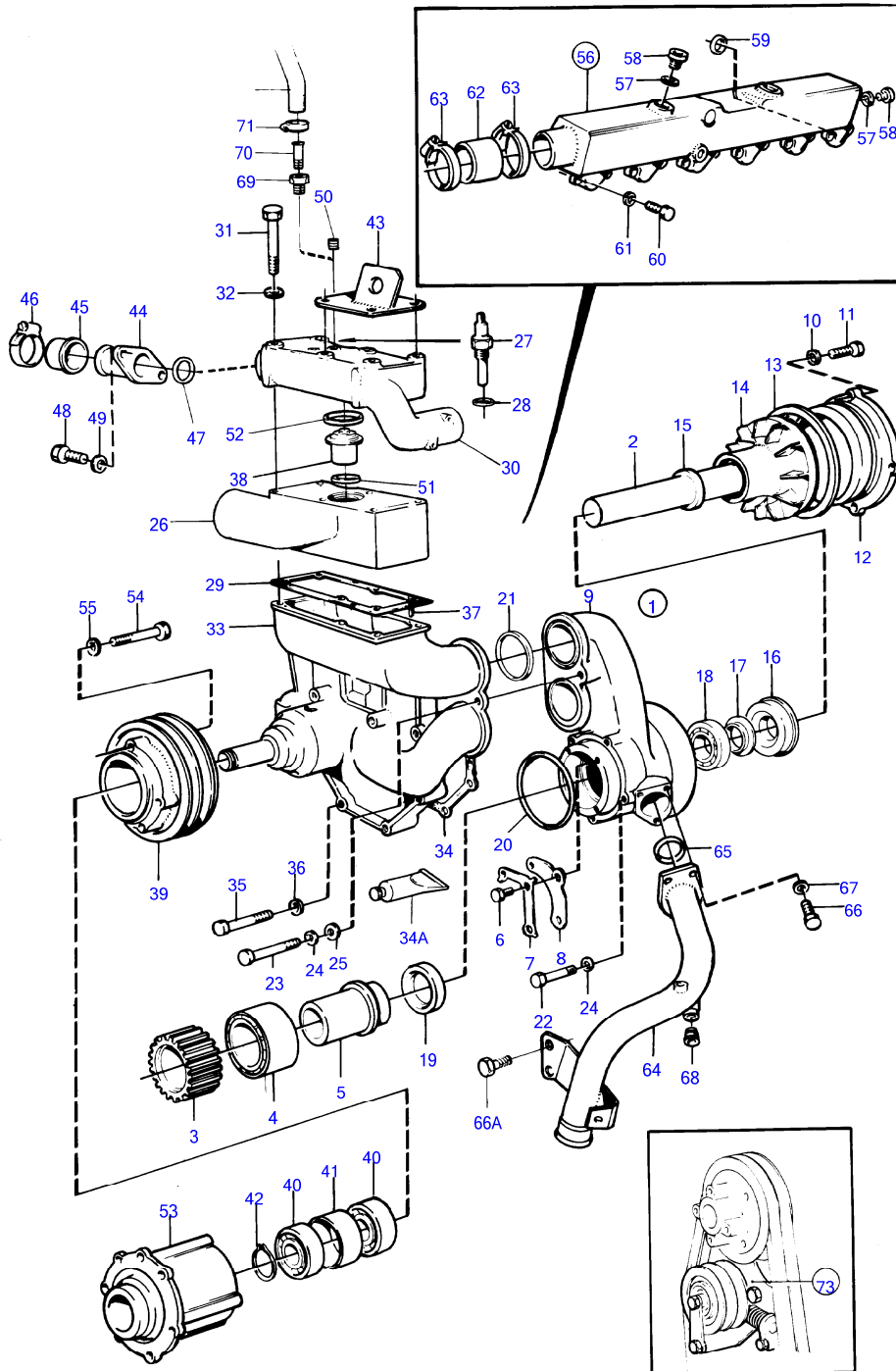
TD121GG

| REF | PART NO. | QTY | DESCRIPTION | SEE SEC. | NOTES |
|-----|----------|-----|--------------------|----------|---|
| 1 | 1545261 | 1 | Water pump | | |
| 2 | 468249 | 1 | • Shaft | | |
| 3 | 470265 | 1 | • Gear | | |
| 4 | 181286 | 1 | • Ball bearing | | |
| 5 | 468247 | 1 | • Spindle | | |
| 6 | 940100 | 3 | • Hexagon screw | | |
| 7 | 1545359 | 1 | • Lock plate | | |
| 8 | 1545358 | 2 | • Lock plate | | |
| 9 | | 1 | • housing | | |
| 10 | 941906 | 4 | • Spring washer | | |
| 11 | 955513 | 4 | • Hexagon screw | | |
| 12 | 469418 | 1 | • Cover | | |
| 13 | 925262 | 1 | • O-ring | | |
| 14 | 468244 | 1 | • Impeller | | |
| 15 | 421306 | 1 | • Wear ring | | |
| 16 | 1545283 | 1 | • Sealing ring | | |
| 17 | 70913 | 1 | • Deflector | | |
| 18 | 1660609 | 1 | • Ball bearing | | |
| 19 | 958811 | 1 | • Sealing ring | | |
| 20 | 925257 | 1 | O-ring | | |
| 21 | 1664473 | 2 | O-ring | | (925254) |
| 22 | 955542 | 4 | Hexagon screw | | |
| 23 | 955535 | 1 | Hexagon screw | | |
| 24 | 942336 | 5 | Spring washer | | |
| 25 | 940097 | 1 | Washer | | |
| 26 | 470396 | 1 | Thermostat housing | | |
| 27 | 827150 | 1 | Sensor | | See group 3 |
| 28 | 11996 | 1 | Gasket | | |
| 29 | 423352 | 1 | Gasket | | |
| 30 | (470395) | 1 | Thermostat housing | | |
| 31 | 959798 | 6 | Hexagon screw | | |
| 32 | 940097 | 2 | Washer | | |
| 33 | (468635) | 1 | Lower section | | |
| 34 | 423351 | 1 | Gasket | | If gasket has been used,you should use gasket again |
| 34A | 1161231 | X | Sealant | | If silicone rubber has been used,use silicone rubber again |
| 35 | 955535 | 5 | Hexagon screw | | L=32mm |
| | 955541 | 2 | Hexagon screw | | L=76mm |
| 36 | 942336 | 7 | Spring washer | | |
| 37 | 951973 | 2 | Spring pin | | |
| 38 | 1544683 | 1 | Thermostat | | 82° |
| 39 | 468445 | 1 | V-belt pulley | | |
| 40 | | 2 | ball bearing | | Replaced by repair kit 876613, which contains 2ea ball sender, spacer sleeve and circlip. |
| 41 | | 1 | spacer sleeve | | Replaced by repair kit 876613, which contains 2ea ball sender, spacer sleeve and circlip. |
| 42 | | 1 | circlip | | Replaced by repair kit 876613, which contains 2ea ball sender, spacer sleeve and circlip. |
| 43 | 475888 | 1 | Anchorage | 54157627 | |
| 44 | 845435 | 1 | Connecting pipe | | |
| 45 | 845422 | 1 | Plastic plug | | |
| 46 | 994560 | 1 | Hose clamp | | |
| 47 | 949658 | 1 | O-ring | | (469477) |
| 48 | 940135 | 2 | Hexagon screw | | |
| 49 | 941907 | 2 | Spring washer | | |
| 50 | 952077 | 2 | Plug | | |
| 51 | 1544710 | 1 | Sealing ring | | |
| 52 | 1544410 | 1 | Sealing ring | | |
| 53 | 476976 | 1 | Fan hub | | |
| 54 | 955536 | 4 | Hexagon screw | | |
| 55 | 942336 | 4 | Spring washer | | |
| 56 | 847512 | 1 | Coolant pipe | | |
| 57 | 468463 | 3 | • Gasket | | |

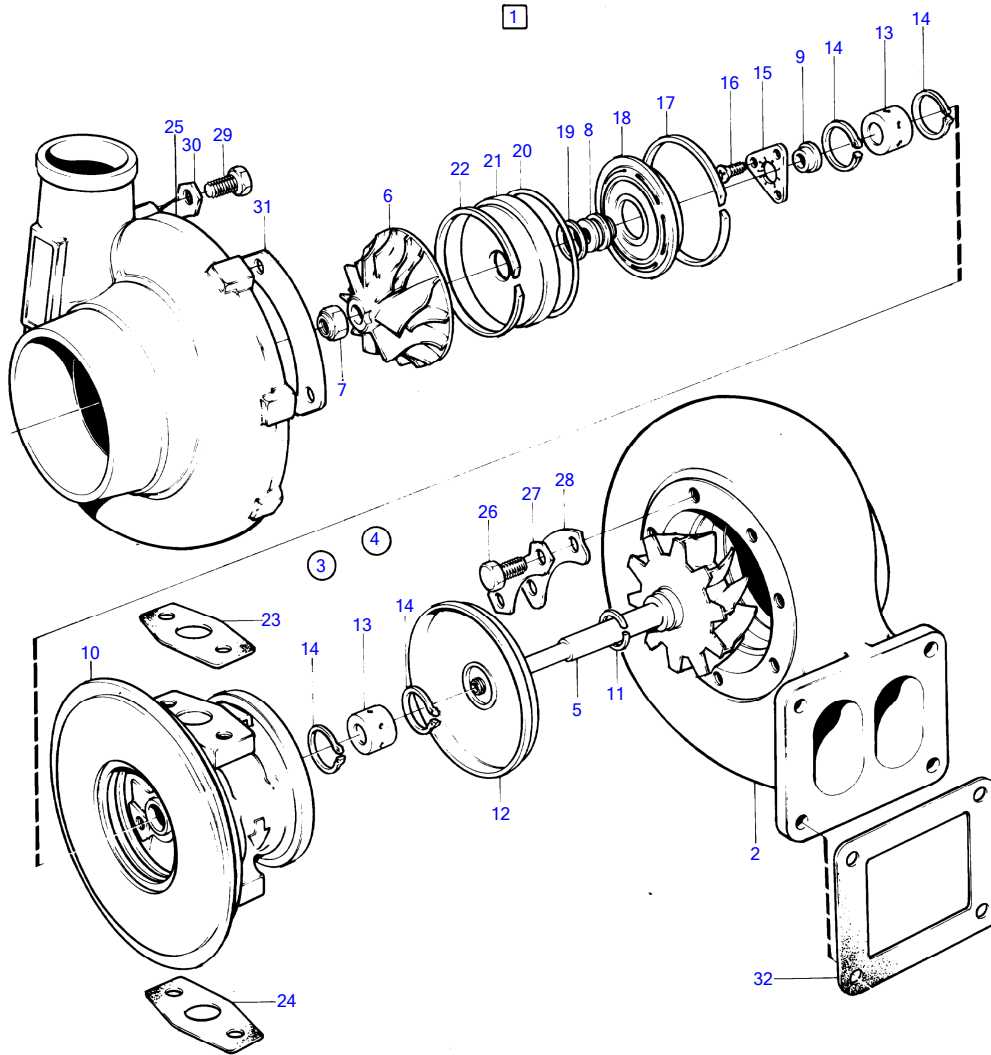
TID121K, TID121KG, TID121KP

| REF | PART NO. | QTY | DESCRIPTION | SEE SEC. | NOTES |
|-----|----------|-----|--|----------|---------------|
| 58 | 467366 | 3 | • Plug | | |
| 59 | 423281 | 6 | O-ring | | |
| 60 | 955525 | 12 | Hexagon screw | | |
| 61 | 941907 | 12 | Spring washer | | |
| 62 | 470464 | 1 | Radiator hose | | |
| 63 | 943479 | 2 | Hose clamp | | (943480) |
| 64 | 847449 | 1 | Connecting pipe | | |
| 65 | 925092 | 1 | O-ring | | |
| 66 | 940135 | 3 | Hexagon screw | | |
| 66A | 955536 | 2 | Hexagon screw | | |
| 67 | 941907 | 3 | Spring washer | | |
| 68 | 952077 | 2 | Plug | | |
| 69 | 190130 | 1 | Reduction nipple | | |
| 70 | 192555 | 1 | Nipple | | |
| 71 | | X | hose clamp | | |
| 72 | | 1 | Hose | | |
| 73 | | 1 | automatic belt tensioner and belt transmission | 54157623 | |
| | | | | 54157623 | |
| | | | | 54157623 | |
| | | | | 54157623 | |
| | | 1 | repair kit water pump | 54157623 | See group 10A |
| | | | | 54157623 | |

TID121LP

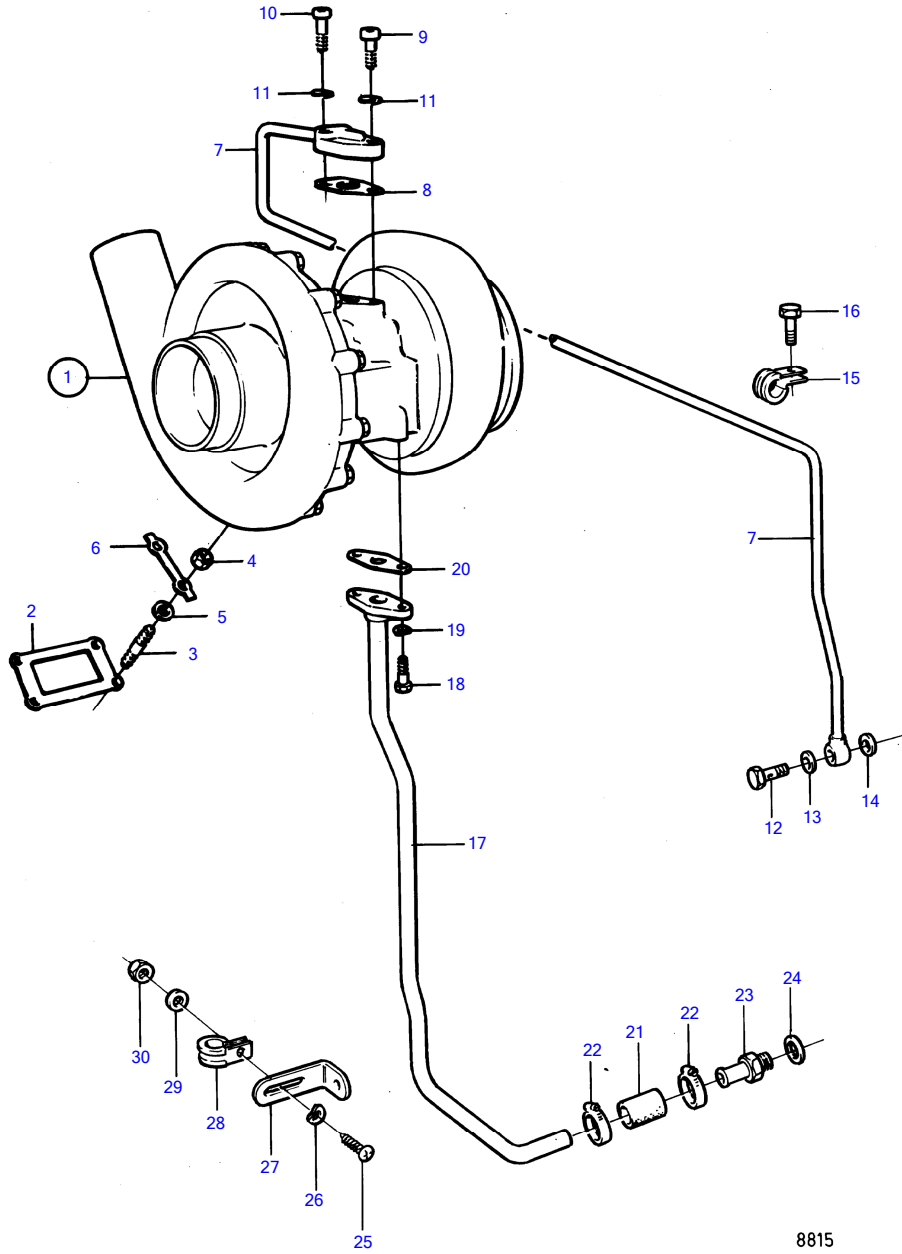


9859

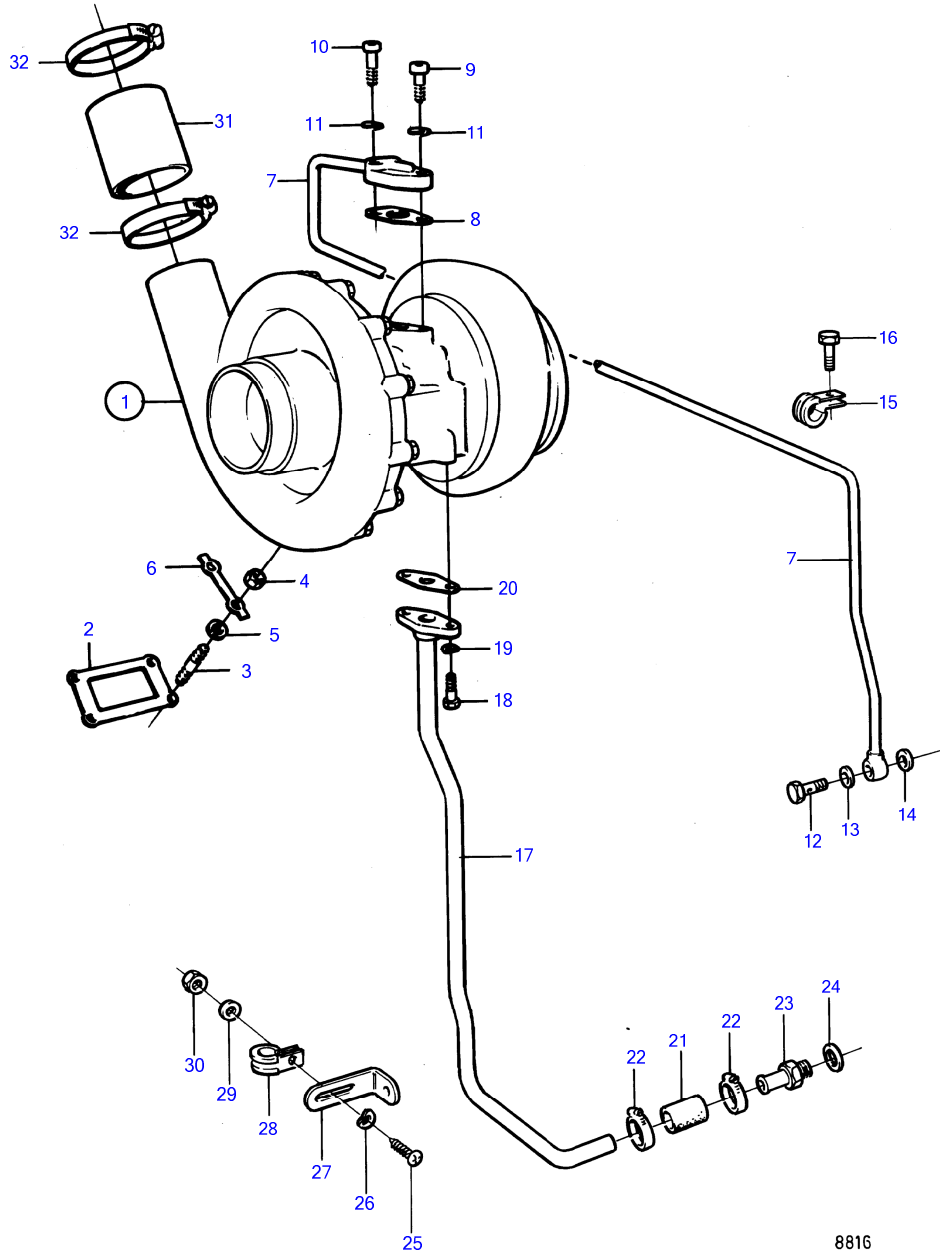


6260

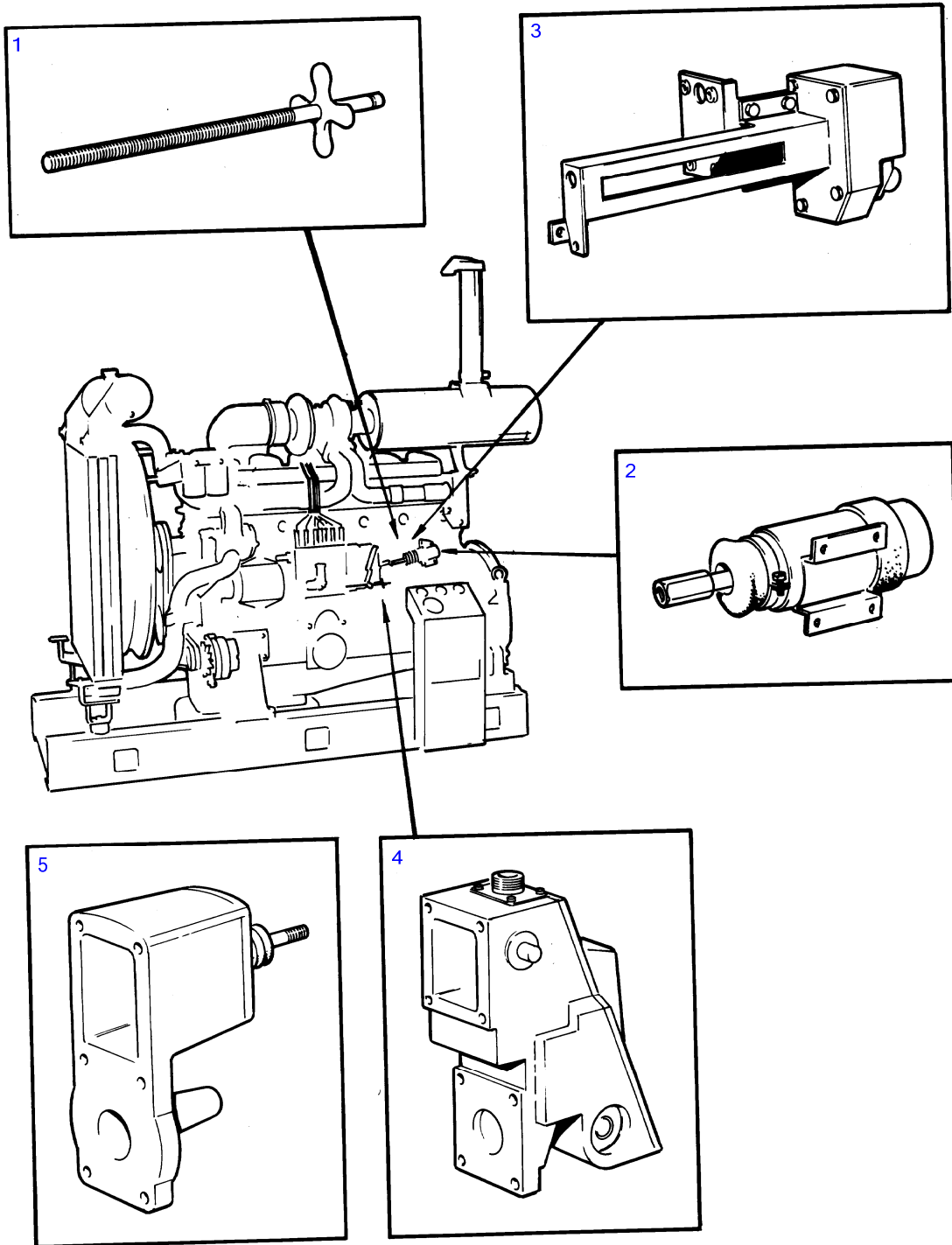
TID121K, TID121KG, TID121KP



8815

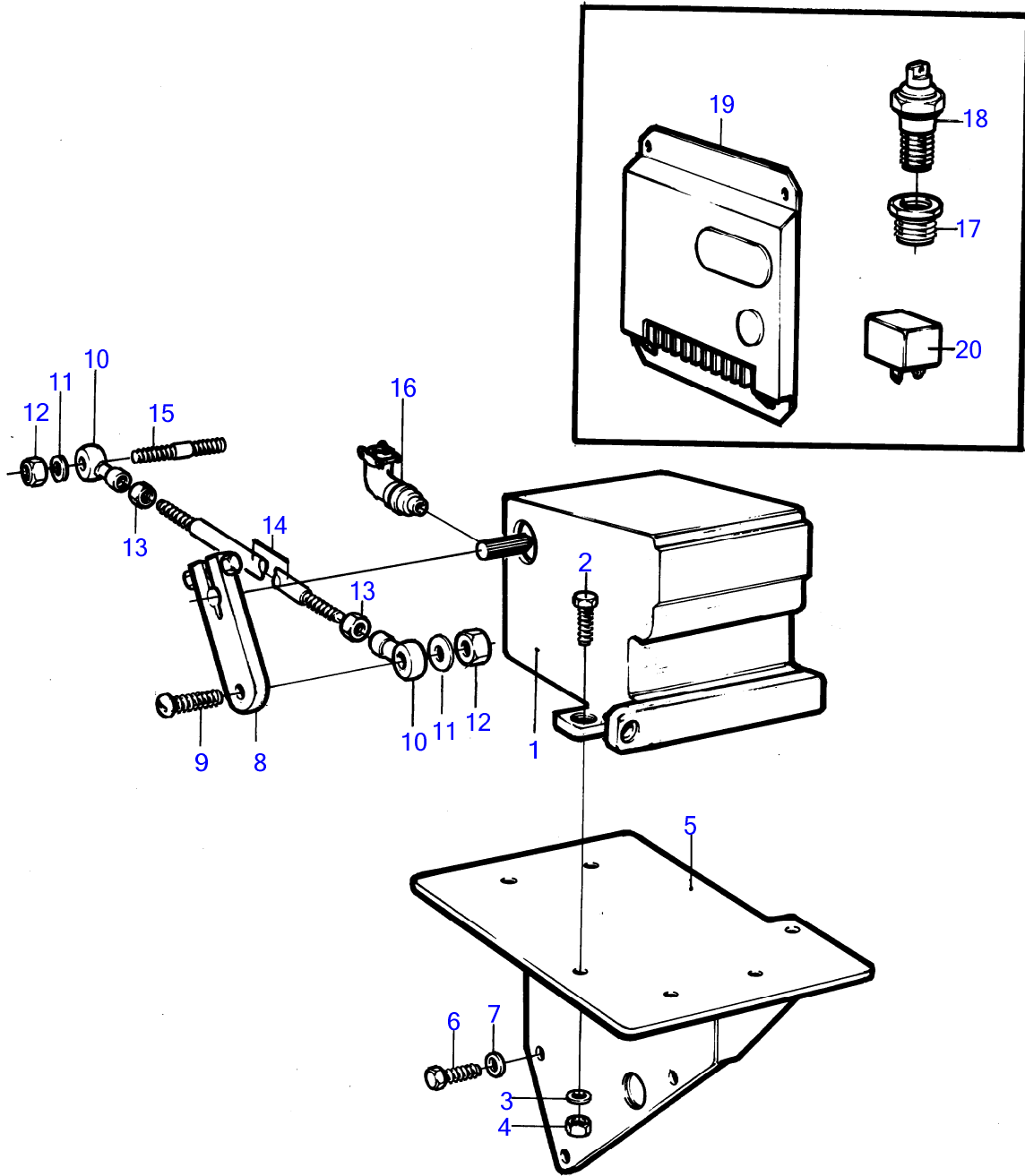


8816

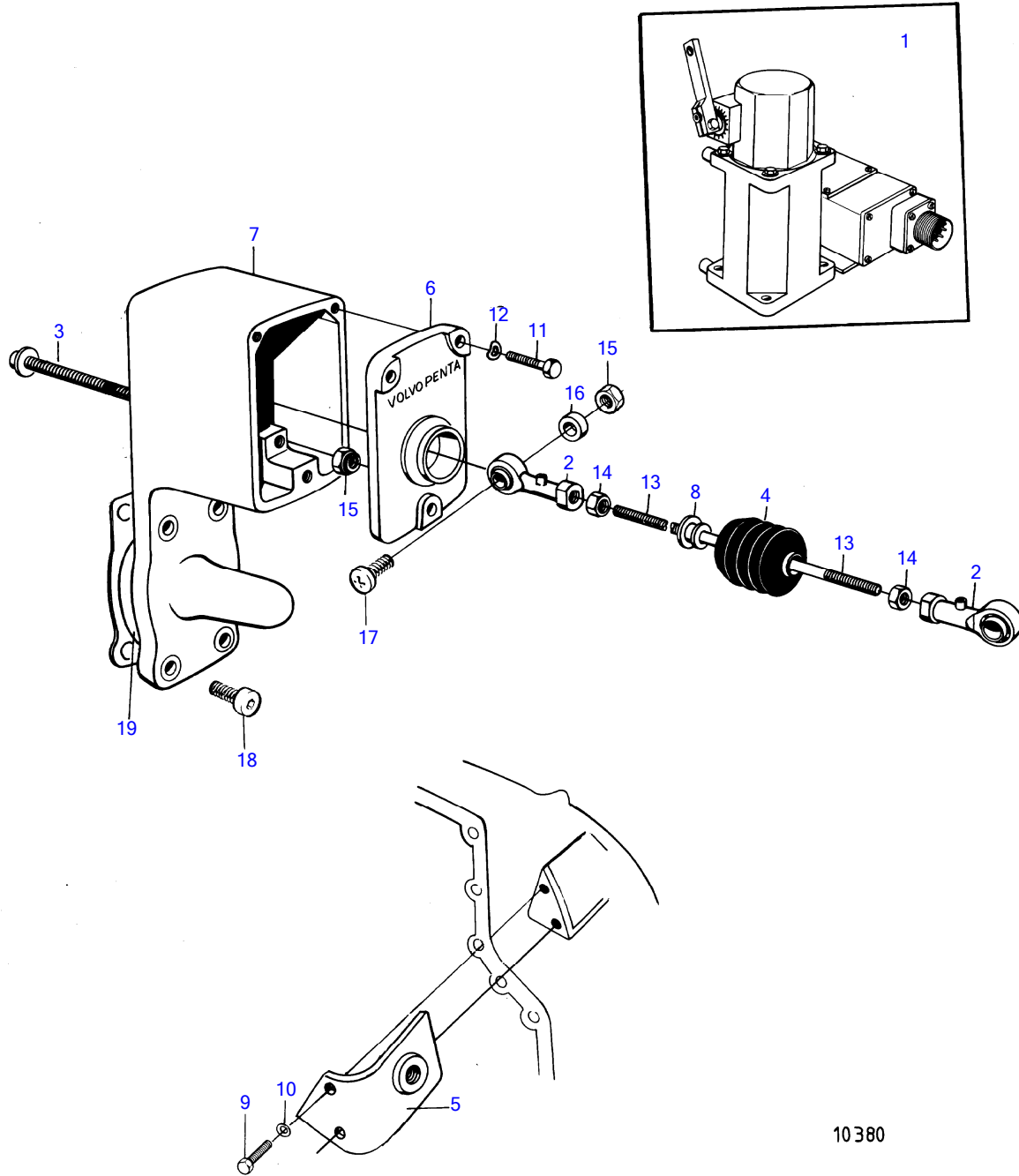


7057

TID121KG, TID121KGP, TID121LG, TID121LGP

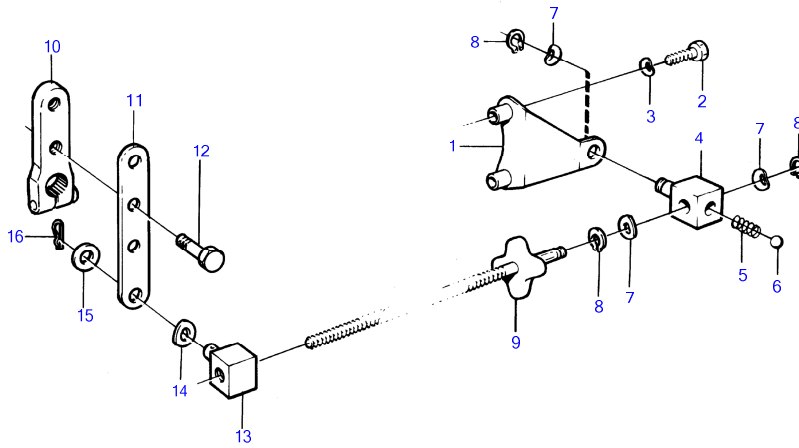
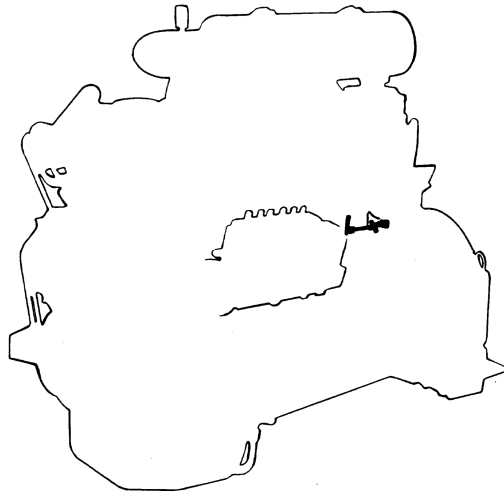


8138

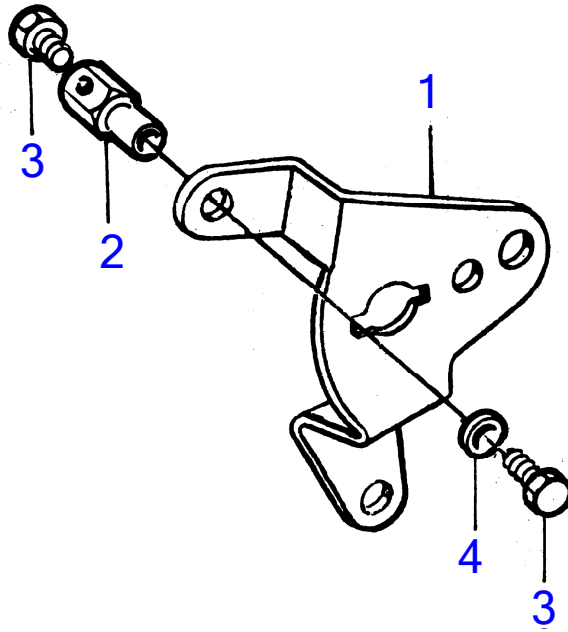


10380

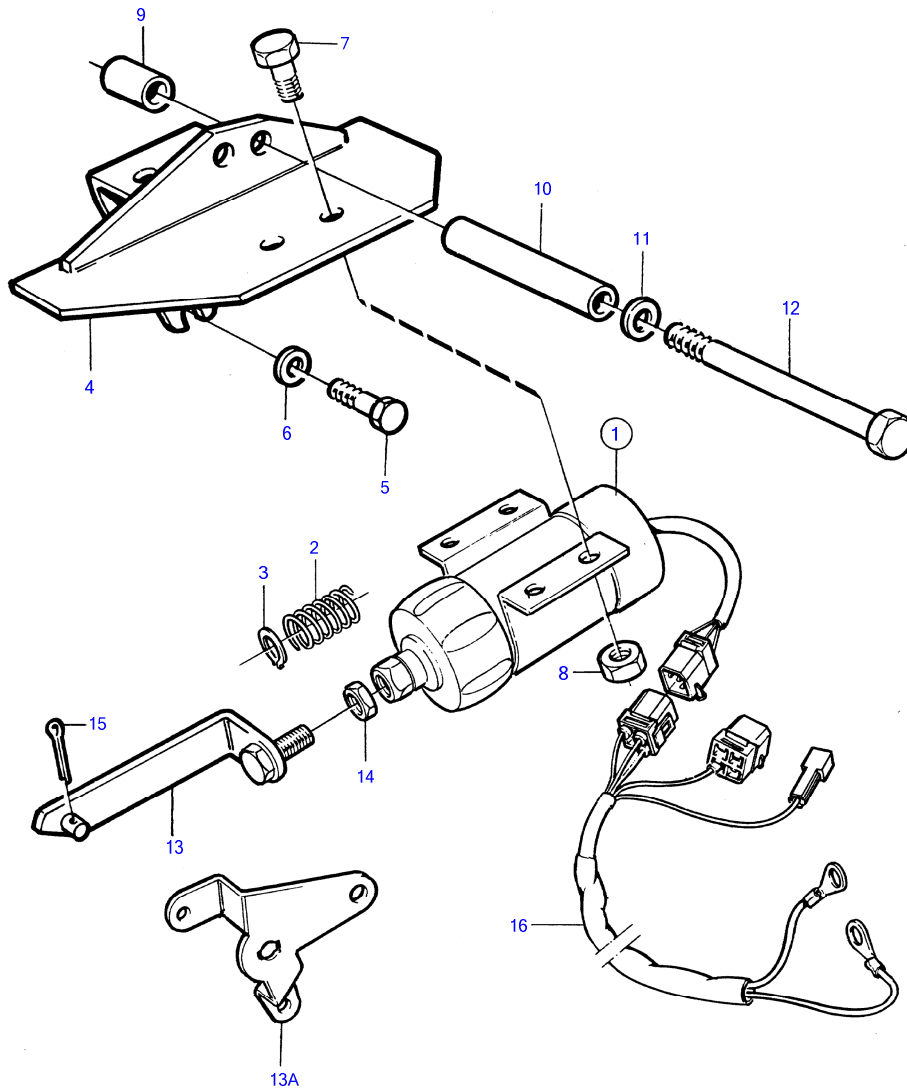
TID121LP



8565

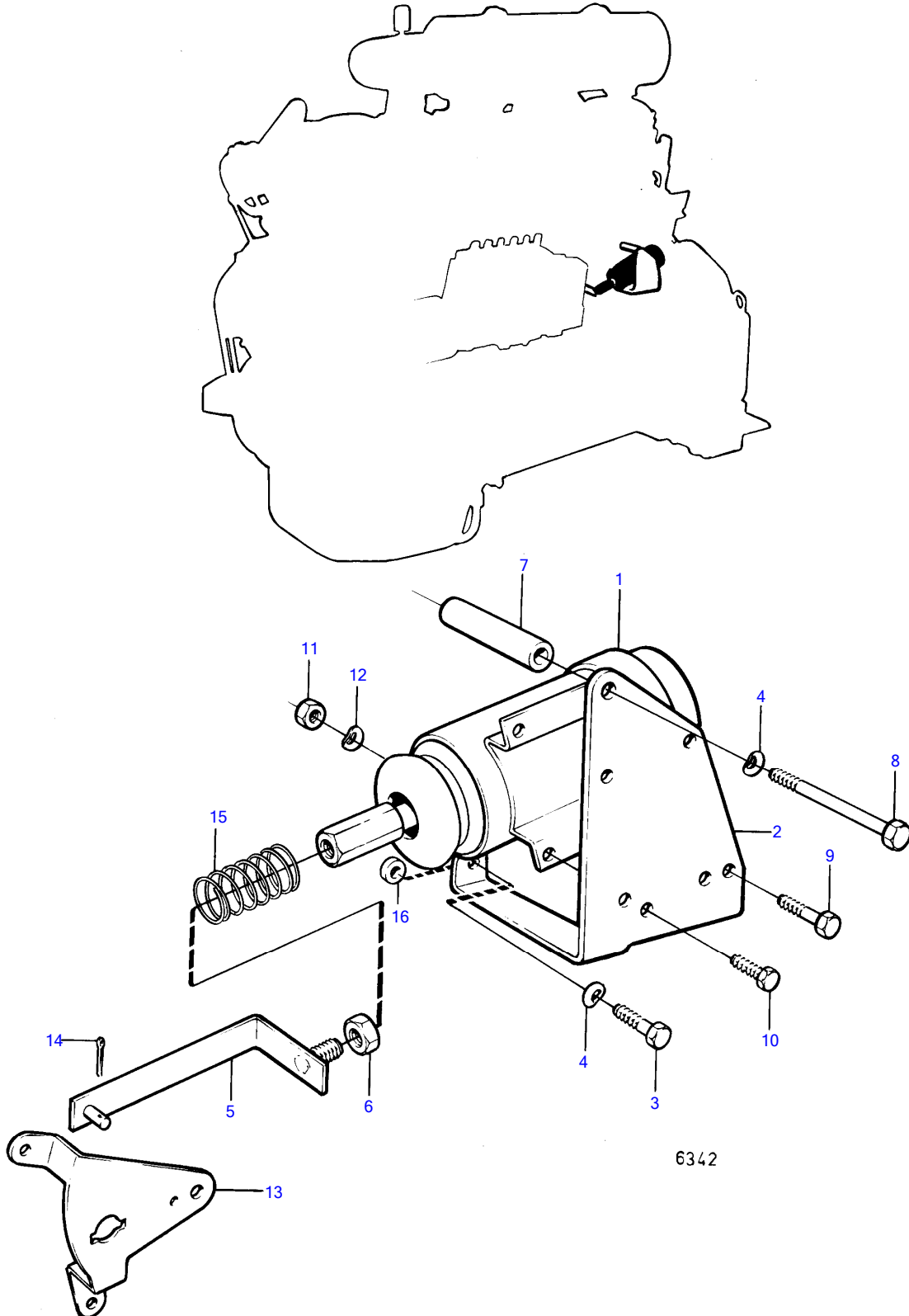


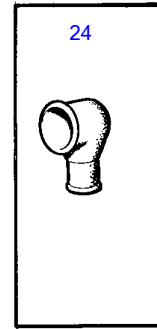
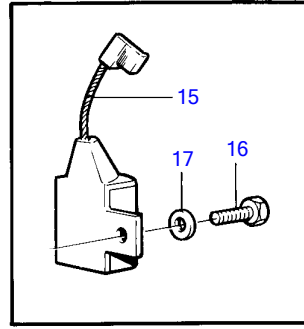
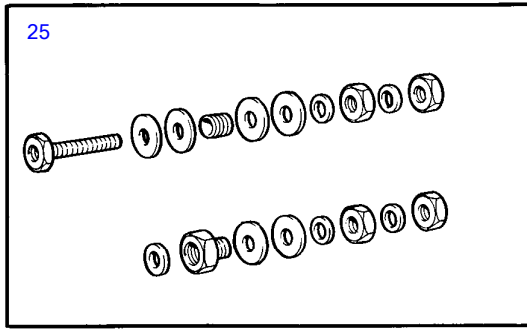
9374



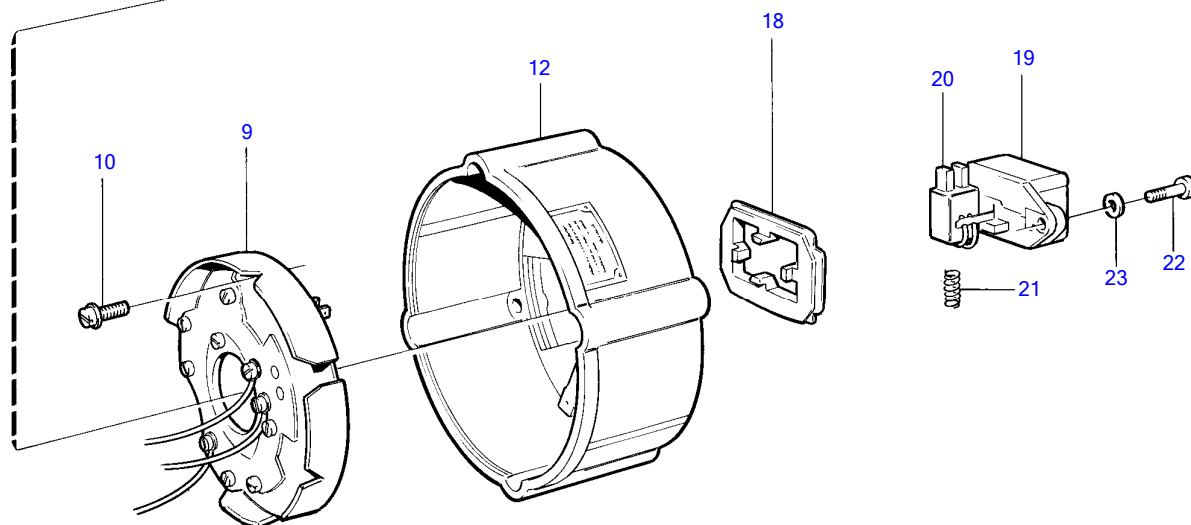
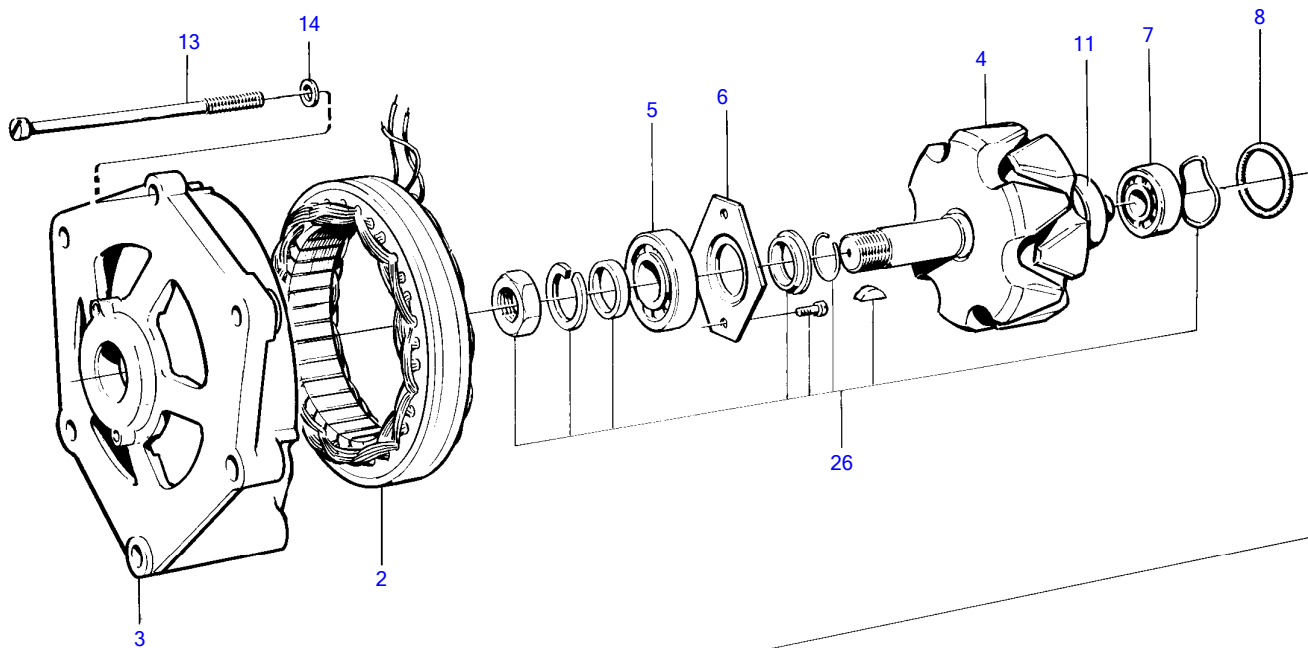
15678

TD120HP

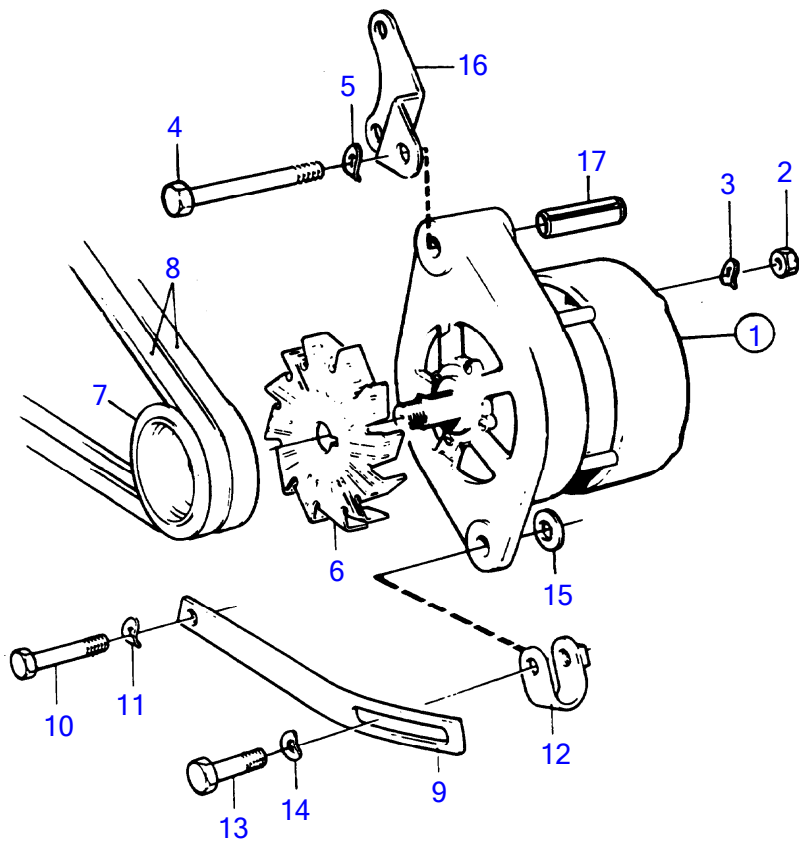
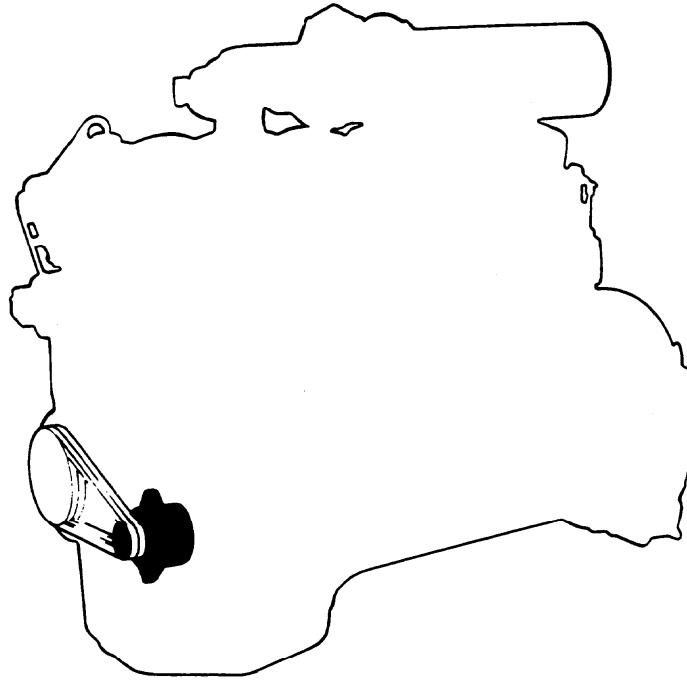




1

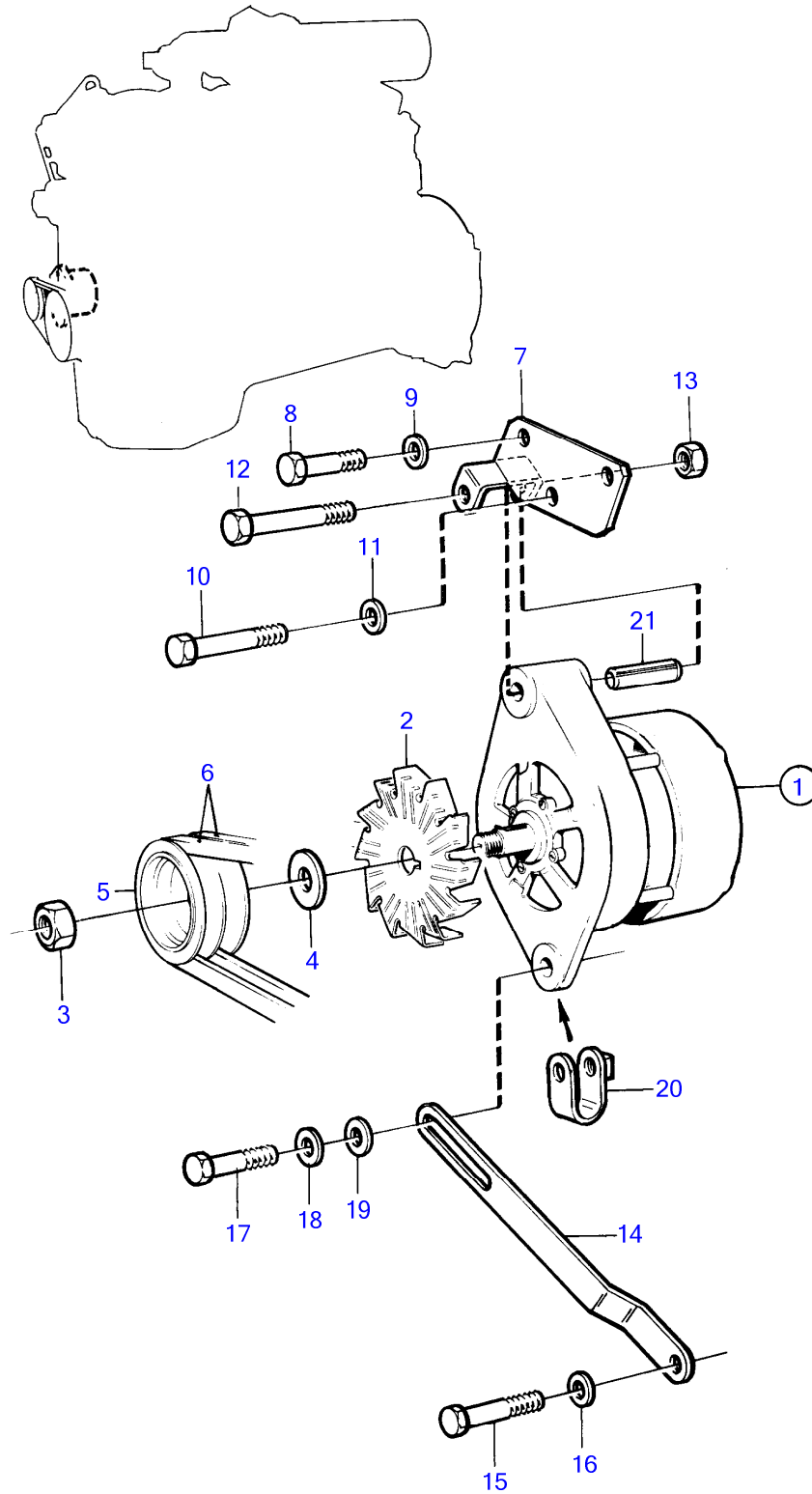


TID121LP



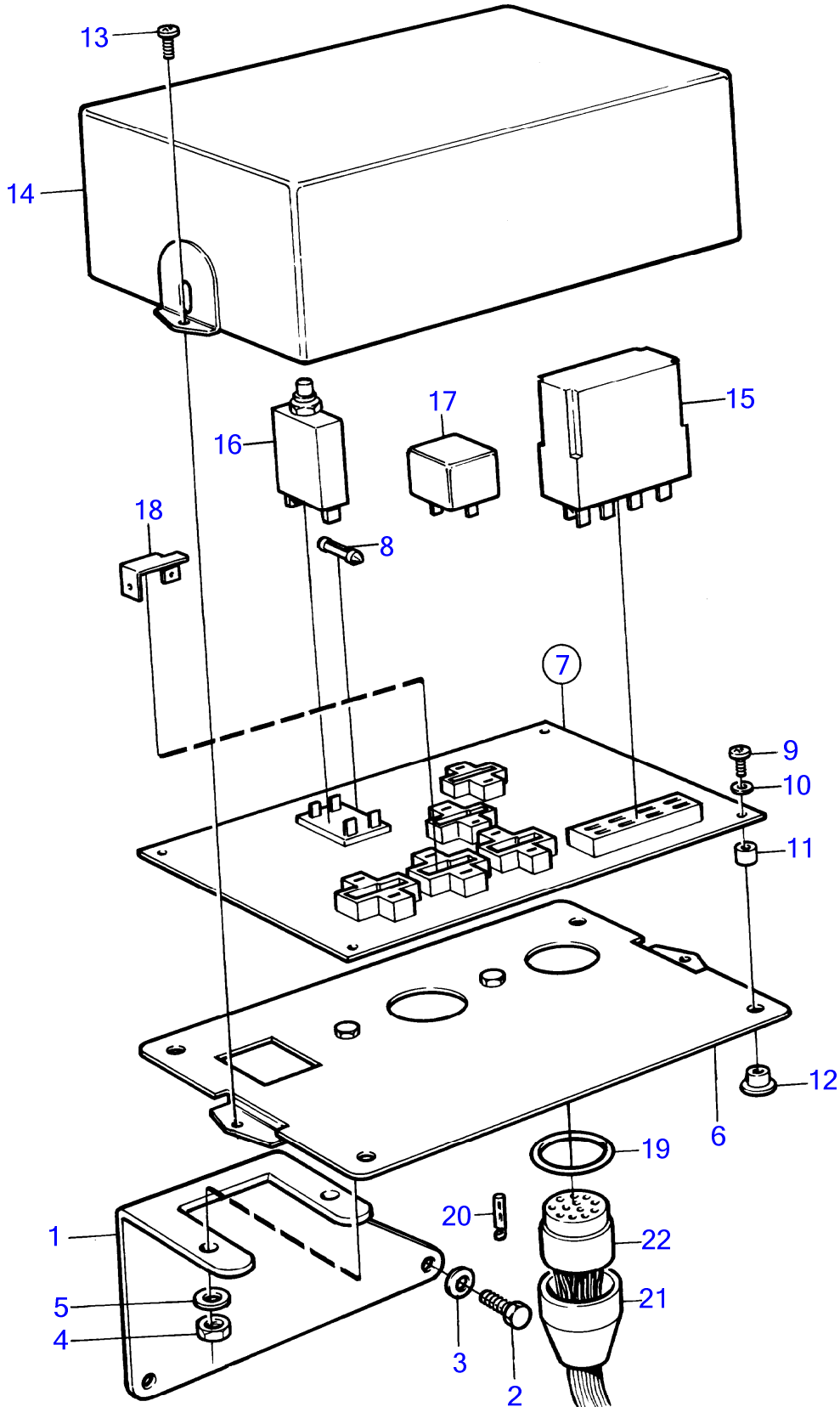
10804

TD121GGP-87, TID121KGP



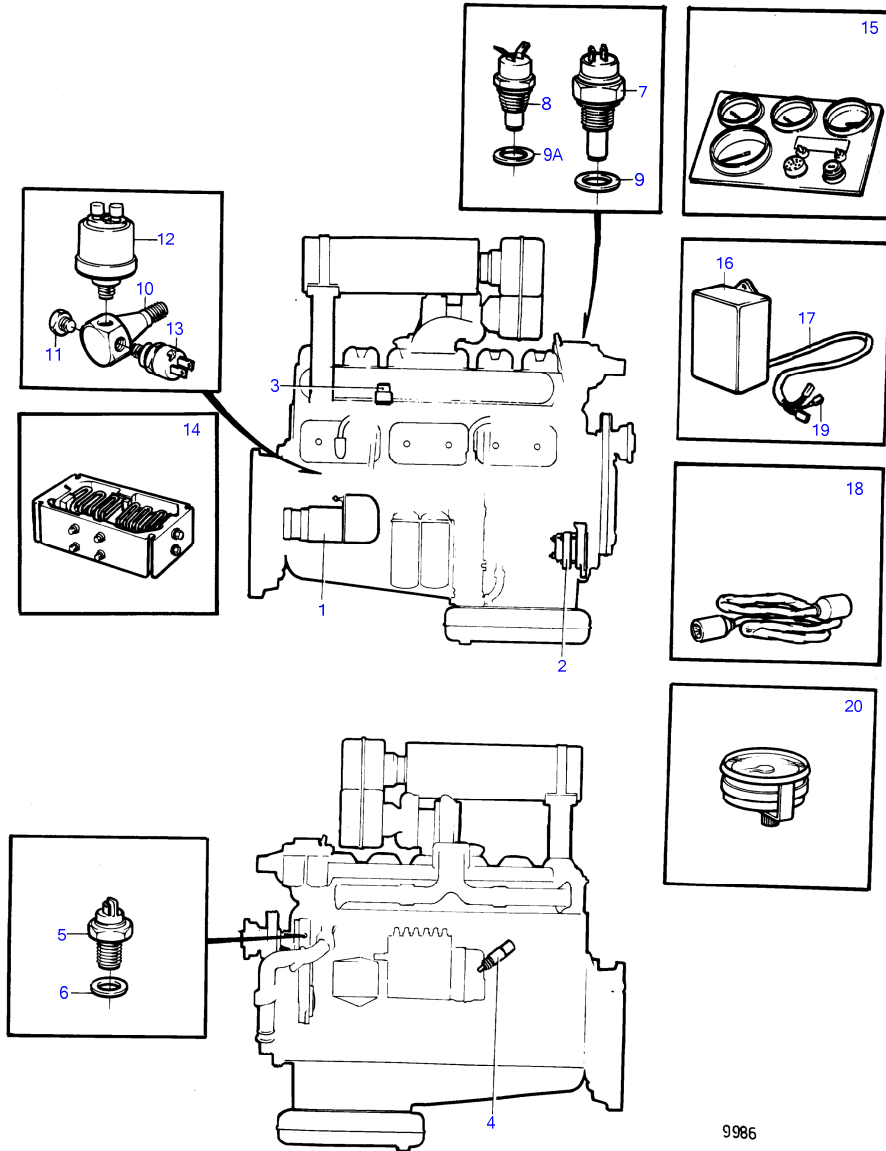
15315

TD120HP, TID121KP, TID121LP

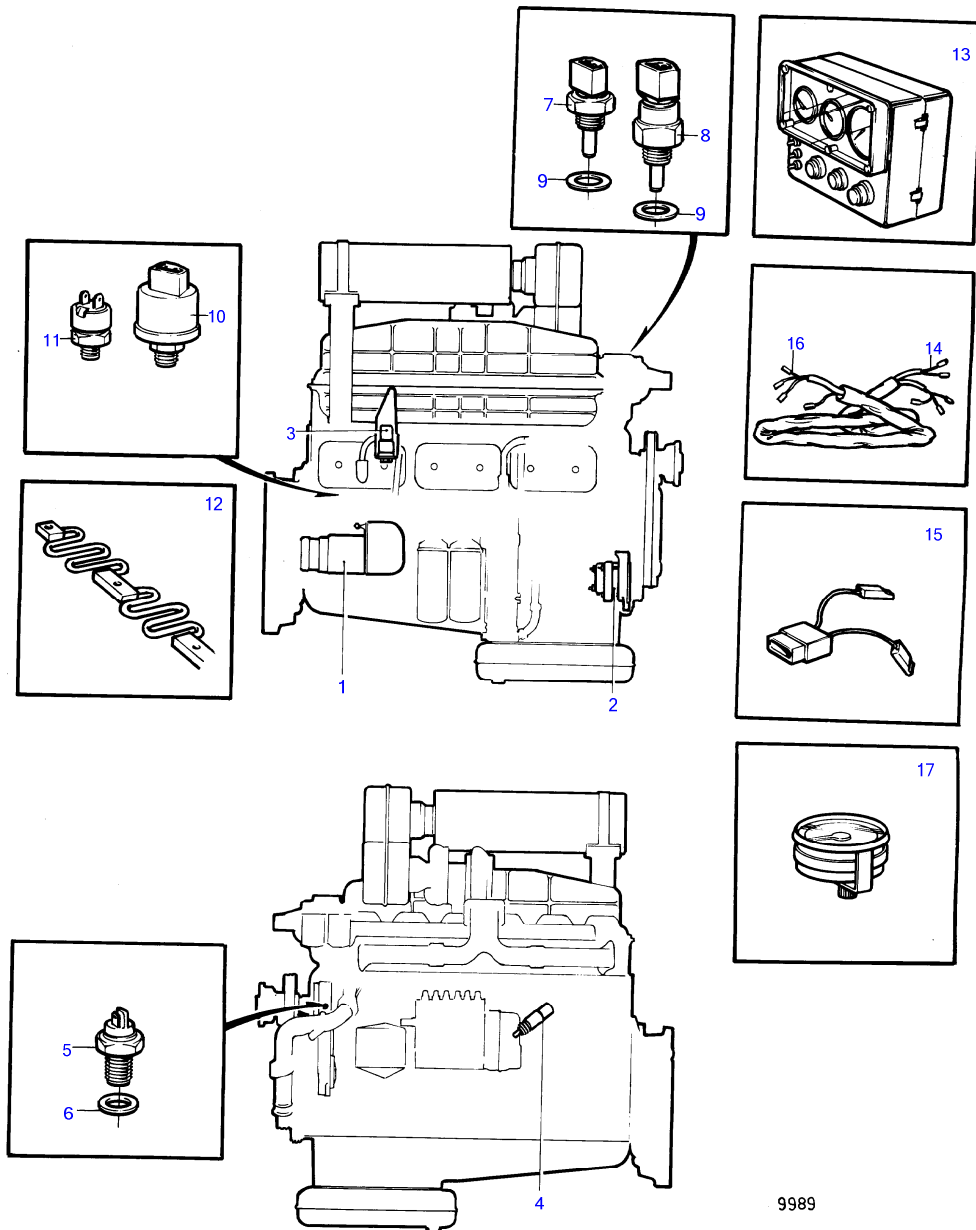


10004

TD121GG

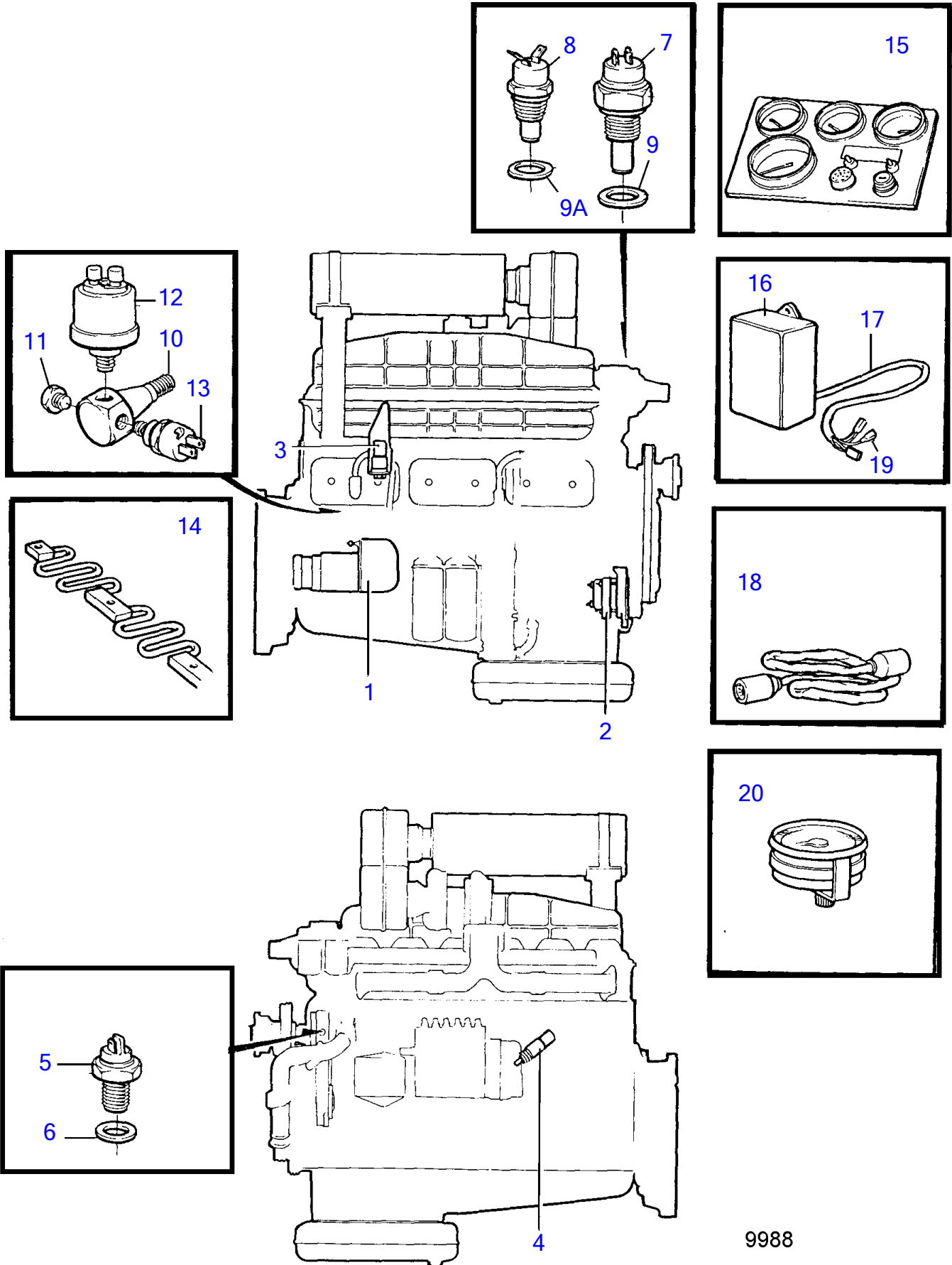


TID121LG



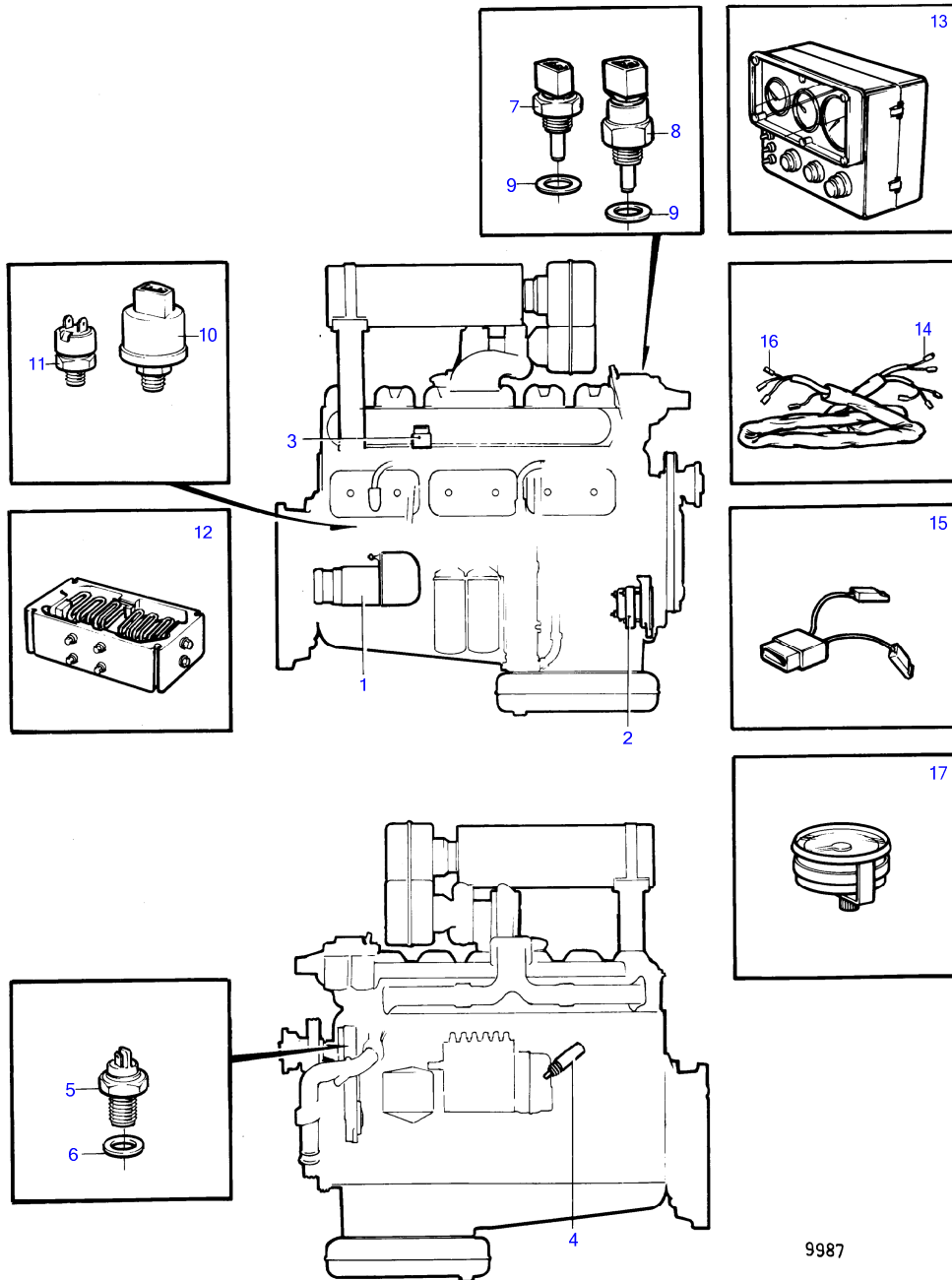
9989

TID121KG



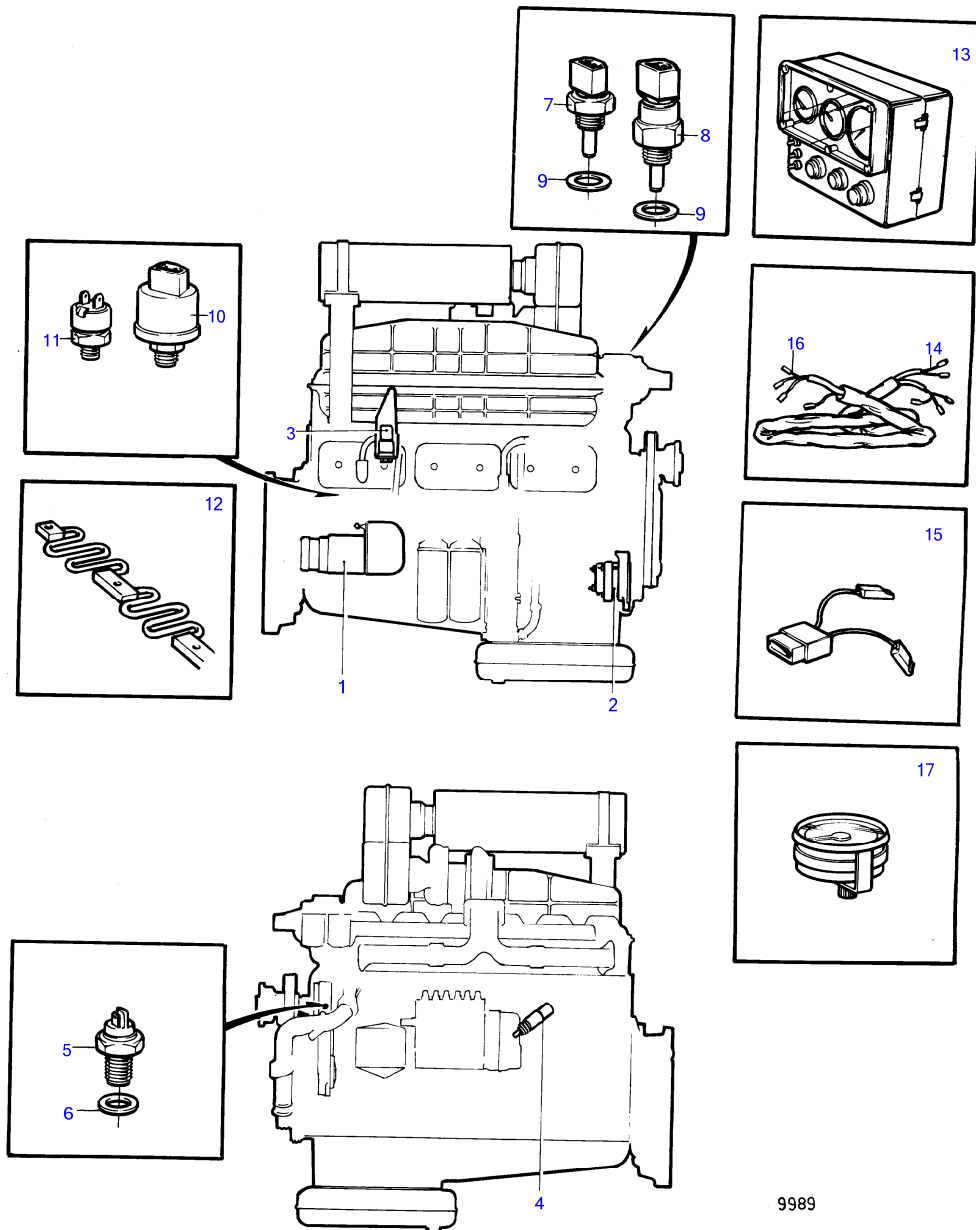
9988

TD121GP

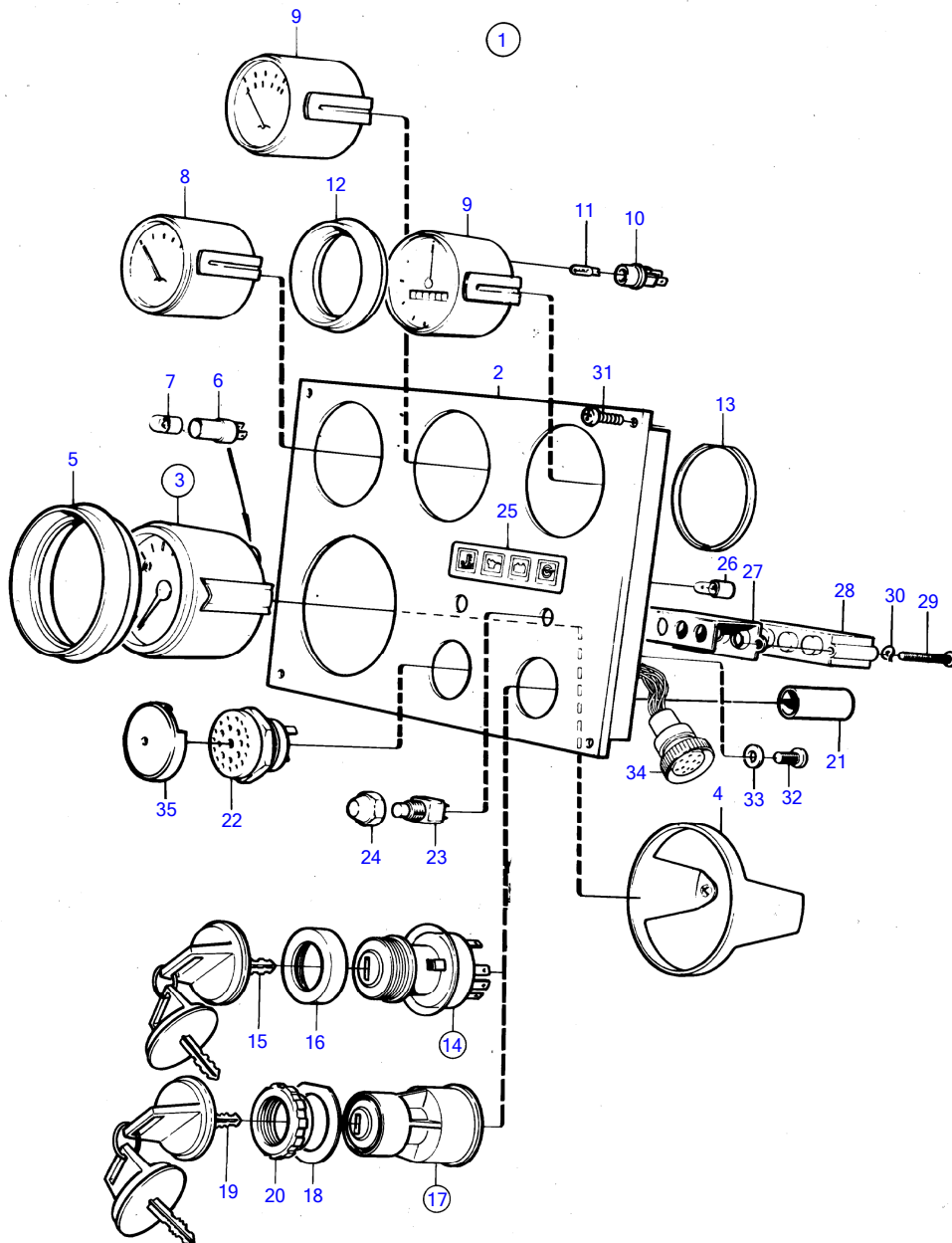


9987

TID121LG



9989



9918

TD120HP

| REF | PART NO. | QTY | DESCRIPTION | SEE SEC. | NOTES |
|-----|----------|-----|---------------|----------|-------------------------------------|
| 1 | | | | 54157739 | |
| | | | | 54157739 | |
| | | | | 54157739 | |
| | 847308 | 1 | Starter motor | 54157739 | Also available as an exchange part. |
| | | | . | 54157739 | |
| 2 | 953486 | 3 | Stud | | |
| 3 | 942336 | 3 | Spring washer | | |
| 4 | 955827 | 3 | Hexagon nut | | |

TD121GP

| REF | PART NO. | QTY | DESCRIPTION | NOTES |
|-----|----------|-----|-------------------|--|
| 1 | 872021 | 1 | Alternator | 28V 60A, repl by 873757 |
| | 873757 | 1 | Alternator | |
| | 1089862 | 1 | Alternator | 28V 80A |
| | 3803394 | 1 | Alternator, reman | 28V 80A |
| 1A | | 1 | Nut | Included in alternator. |
| 2 | 1082911 | 1 | Support plate | |
| 4 | 971005 | 1 | Hexagon screw | |
| 5 | 941911 | 1 | Spring washer | |
| 6 | 940162 | 2 | Hexagon screw | |
| 7 | 942336 | 2 | Spring washer | |
| 8 | 822573 | 1 | Pulley | |
| 9 | 978556 | 1 | V-belt | |
| | 976492 | 1 | V-belt | 80A |
| 10 | 955900 | 1 | Washer | For 1089862 |
| 11 | 864443 | 1 | Tensioner | Replaced by bracket 3827729, tensioner 1676586 and nut 971095. |
| 11A | 3827729 | 1 | Support | |
| 11B | 1676586 | 1 | Tensioner | |
| 11C | 971095 | 1 | Flange nut | |
| 12 | 466734 | 1 | Tensioning eyelet | 55A, 60A |
| | 466735 | 1 | Tensioner | 80A |
| 13 | 955299 | 1 | Hexagon screw | |
| 14 | 941907 | 1 | Spring washer | |
| 15 | 191172 | 1 | Washer | |
| 16 | 942336 | 1 | Spring washer | |
| 17 | 955542 | 1 | Hexagon screw | |
| 18 | | 1 | Bolt | See group 21 |
| 19 | | 1 | Washer | See group 21 |

TD121GP

| REF | PART NO. | QTY | DESCRIPTION | SEE SEC. | NOTES |
|-----|----------|-----|---|----------|---|
| 1 | 862289 | 1 | Sensor, rpm | | |
| 2 | 949656 | 1 | O-ring | | (925059) |
| 3 | 862154 | 1 | Temperature sensor, coolant water temp. | | Max 120°C |
| 4 | 862250 | 1 | Thermo monitor, coolant water temp. | | 97°C |
| | 848829 | 1 | Thermo monitor, coolant water temp. | | 103°C |
| 5 | 866835 | 1 | Sensor, oil-engine | | 0-10bar (862155) |
| 6 | 863169 | 1 | Pressure monitor, oil pressure | | 0,7bar |
| 7 | 947624 | 2 | Gasket | | |
| 8 | 872479 | 1 | Hour recorder, hour meter | | 12V-24V |
| | 849848 | 1 | Thermometer, coolant water temp. | | |
| | 849849 | 1 | Oil pressure gauge, oil pressure | | |
| | 862096 | 1 | Voltmeter | | 24V |
| 9 | 858644 | 1 | Front ring | | D=95mm, for 872040 |
| | 858643 | 1 | Front ring | | D=65mm, for 872479 |
| 10 | 808175 | 1 | Bulb socket | | For bulb with base BA 7S., For 854908,872040, 849848, 849849, 862096 |
| | 863945 | 1 | Bulb socket | | For bulb with base W2X4,6d., For 872479 |
| 11 | 182059 | 1 | Bulb | | 24Vx3W BA 7S |
| | 863946 | 1 | Bulb | | 12Vx1,2W W2x4,6d |
| | 863947 | 1 | Bulb | | 24Vx1,2W W2x4,6D |
| | 828818 | 1 | Bulb | | For 862096 |
| 12 | 864277 | 1 | Starter switch | | Diode 1624694 should be used on engines with stop solenoid, energized to run. |
| 13 | 859955 | 1 | • Plastic nut | | |
| 14 | 859953 | 2 | • Key | | State key code when ordering |
| 15 | 8143028 | 1 | Horn | | 24V, (872874) " |
| 16 | 1581232 | 1 | Level indicator | | Not for expansion tank made of plastic., L=86mm |
| | 1581226 | 1 | Sensor | | For expansion tank made of plastic., L=136mm (849371) |
| 17 | 11994 | 1 | Gasket | | |
| 18 | 1622515 | 1 | Level relay | | |
| 19 | 941772 | 1 | Clamp | | |
| 20 | 866894 | 1 | Wiring harness | | Engine (862218) |
| 21 | | X | • electrical materials | 54155358 | |
| 22 | 863867 | X | Wiring harness | | L=2500mm |
| | 863868 | X | Wiring harness | | L=8000mm |
| 23 | 948211 | X | Cable tie | | For 866894 |
| 24 | 872040 | 1 | Tachometer, tachometer | | Replaced by operating clock/tachometer 873722 and intermediate ring 873721. |
| | 854908 | 1 | Tachometer, hour/tachometer | | Replaced by operating clock/tachometer 873722 and intermediate ring 873721. |
| | 873722 | 1 | Tachometer kit, hour/tachometer | | Replaced by hour/ tachometer 874012. |
| | 874012 | 1 | Tachometer kit, hour/tachometer | | |
| 25 | | 1 | • Tachometer, hour/tachometer | | |
| 26 | 943638 | 1 | • Bulb | | |
| 27 | 863945 | 1 | • Bulb socket | | |
| 28 | 873208 | 1 | • Brace kit, brace | | |
| 29 | 873683 | 1 | • Ring | | |
| 30 | 873721 | 1 | Intermediate ring | | |
| 31 | 873695 | 1 | Diode cable | | For 873722 |

7746460-37-54171508

53747

Upd:7/24/2022

| REF | PART NO. | QTY | DESCRIPTION | NOTES |
|-----|-----------|-----|----------------------|----------------|
| 1 | (3841933) | 1 | Power take-off | PTO 14 tripple |
| 2 | (847729) | 1 | • Drive ring | |
| 3 | (862582) | 3 | • Disc | (846540) |
| 4 | (846531) | 1 | • Pressure plate | |
| 5 | (846529) | 1 | • Adjusting plate | |
| 6 | 846525 | 1 | • Lock spring | |
| 7 | 846528 | 1 | • Spring washer | |
| 8 | 846527 | 1 | • Screw | |
| 9 | (846526) | 1 | • Lock | |
| 10 | 847725 | 1 | • Sleeve | |
| 11 | (847724) | 1 | • Bearing housing | |
| 12 | (847723) | 1 | • Bearing | |
| 13 | 847726 | 1 | • Retainer | |
| 13A | 847728 | 1 | • Striker plate | |
| 13B | 847727 | 1 | • Striker plate | |
| 14 | (849982) | 1 | • Adjusting ring | |
| 15 | (846524) | 1 | • Lock pin | |
| 16 | (846530) | 3 | • Screw | |
| 17 | (846560) | 2 | • Spacer | |
| 18 | 846561 | 1 | • Drive plate | |
| 19 | (846532) | 4 | • Release arm | |
| 20 | (846537) | 8 | • Link | |
| 21 | 846501 | 16 | • Striker plate | |
| 22 | (846502) | 16 | • Washer | |
| 23 | 846538 | 8 | • Pin | |
| 24 | (846559) | 8 | • Striker plate | |
| 25 | (846536) | 4 | • Spring | |
| 26 | 846533 | 4 | • Pin | |
| 27 | 846534 | 8 | • Washer | |
| 28 | (846553) | 1 | • Retainer | |
| 29 | 847735 | 1 | • Key | |
| 30 | (863021) | 1 | • Key | |
| 31 | (847737) | 1 | • Screw | |
| 32 | 941907 | 1 | • Spring washer | |
| 33 | (846487) | 1 | • Striker plate | |
| 34 | (846488) | 1 | • Lubricating hose | |
| 35 | (846493) | 1 | • Lock ring | |
| 36 | (846513) | 1 | • Sign | |
| 36A | (846550) | 1 | • Gasket | |
| 37 | (846491) | 2 | • Screw | |
| 38 | (846548) | 6 | • Spring washer | |
| 39 | (847730) | 6 | • Screw | |
| 40 | (847731) | 1 | • Bearing housing | |
| 41 | (6603865) | 1 | • Lubricating nipple | |
| 42 | 846497 | 2 | • Lubricating nipple | |
| 43 | | 1 | • housing | |
| 44 | 847732 | 2 | • Bearing | |
| 44A | (847736) | 1 | • Lock ring | |
| 45 | (863015) | 1 | • Shaft | |
| 46 | (6603865) | 1 | • Lubricating nipple | |
| 47 | (846515) | 1 | • Screw | |
| 48 | (847733) | 1 | • Nut | |
| 49 | 847734 | 1 | • Lock washer | |
| 50 | (846557) | 1 | • Lock washer | |
| 51 | (846508) | 1 | • Hand lever | |
| 52 | (846509) | 1 | • • Screw | |
| 53 | (6603859) | 1 | • • Spring washer | |
| 54 | (846510) | 1 | • • Nut | |
| 55 | (847916) | 1 | • Fork | |
| 56 | (847738) | 2 | • • Screw | |
| 57 | (6603859) | 2 | • • Spring washer | |
| 58 | 6603896 | 1 | • Shaft | |
| 59 | (6603893) | 2 | • Key | |

7746460-41-54157820

53716

Upd:7/24/2022

| REF | PART NO. | QTY | DESCRIPTION |
|-----|----------|-----|------------------|
| 7 | | 1 | coupling flange |
| 8 | 845622 | 1 | • Clutch flange |
| 9 | 845621 | 1 | • Rubber element |
| 10 | 845620 | 1 | Clutch half |
| 11 | 960692 | 8 | Hexagon screw |
| 12 | 949869 | 8 | Spacer washer |

TID121LP

| REF | PART NO. | QTY | DESCRIPTION | NOTES |
|-----|-----------|-----|-----------------|--------------------------------|
| 1 | 842520 | 1 | Clutch | See group 4D Repl by 862733 |
| | 862733 | 1 | Power take-off | See group 4D |
| | (846730) | 1 | Clutch | See group 4D Repl by 862734 |
| | (3841933) | 1 | Power take-off | See group 4D |
| | 849582 | 1 | Friction clutch | Repl by 862733 |
| 2 | 940160 | 12 | Hexagon screw | |
| 3 | 941909 | 12 | Spring washer | |
| 4 | 955562 | 8 | Hexagon screw | |
| | 955561 | 8 | Hexagon screw | For 846730 |
| 5 | 940280 | 8 | Spring washer | |
| 6 | 849219 | 1 | Ball bearing | (847324) |

TID121K-87

| REF | PART NO. | QTY | DESCRIPTION | NOTES |
|-----|-----------|-----|-------------------|--------------------------------|
| 1 | 842520 | 1 | Clutch | See group 4D Repl by 862733 |
| | 862733 | 1 | Power take-off | See group 4D |
| | (846730) | 1 | Clutch | See group 4D Repl by 862734 |
| | (3841933) | 1 | Power take-off | See group 4D |
| | 849582 | 1 | Friction clutch | Repl by 862733 |
| | | | • comps not spec. | |
| 2 | 940160 | 12 | Hexagon screw | |
| 3 | 941909 | 12 | Spring washer | |
| 4 | 955562 | 8 | Hexagon screw | |
| | 955561 | 8 | Hexagon screw | For 846730 |
| 5 | 940280 | 8 | Spring washer | |
| 6 | 849219 | 1 | Ball bearing | (847324) |
| 7 | | 1 | coupling flange | |
| 8 | 845622 | 1 | • Clutch flange | |
| 9 | 845621 | 1 | • Rubber element | |
| 10 | 845620 | 1 | Clutch half | |
| 11 | 960692 | 8 | Hexagon screw | |
| 12 | 949869 | 8 | Spacer washer | |

7746460-44-54157807

46749

Upd:7/24/2022

| REF | PART NO. | QTY | DESCRIPTION | NOTES |
|-----|----------|-----|---------------------|------------|
| 1 | | 1 | | |
| 2 | 865078 | 1 | • Engine heater kit | 220V/2000W |
| 3 | 952969 | X | • Hose | |
| 4 | 943472 | 4 | • Hose clamp | |
| 5 | 828693 | 2 | • Hose attachment | |
| 6 | 821335 | 1 | • Adapter | |
| 7 | | 1 | connection | |

| REF | PART NO. | QTY | DESCRIPTION | NOTES |
|-----|-----------|-----|------------------------|--------------------------------------|
| 1 | 821127 | 1 | Tool kit | |
| | 844642 | 1 | • Tool bag | |
| 2 | (750) | 1 | • Grease gun | Not included in set of tools 821127. |
| 3 | (755) | 2 | • Adjustable wrench | |
| | (3803911) | 2 | • Alternator, reman | |
| 4 | (962032) | 1 | • Pliers | |
| 5 | 804771 | 1 | • Screwdriver | |
| 6 | (963929) | 1 | • Combination screwdri | |
| 7 | (811) | 12 | • Protective cap | |
| 8 | (962066) | 1 | • Open-end wrench | 3/8"-7/16" |
| 9 | (210144) | 1 | • Open-end wrench | 7/16"-1/2" |
| 10 | (210145) | 1 | • Open-end wrench | 9/16"-5/8" |
| 11 | (962070) | 1 | • Open-end wrench | 13/16"-7/8" |
| 12 | (210146) | 1 | • Open-end wrench | 3/4"-11/16" |
| 13 | (210149) | 1 | • Wrench | 15/16"-1" |
| 14 | | X | chemicals | |

TD120HP

| REF | PART NO. | QTY | DESCRIPTION | NOTES |
|-----|----------|-----|-------------------------------------|-------------------------|
| 1 | 876083 | 6 | Cylinder liner kit | (275074) |
| | | 6 | • cylinder liner | |
| | 271155 | 6 | • Sealing ring kit | SN-XXXXXXXXXX/136970 |
| | 270950 | 6 | • Gasket kit | SN XXXXXXXXXXXX/136971- |
| | | 6 | • • seal ring | |
| | | 12 | • • seal ring | |
| | | 6 | • • seal ring | |
| | | 6 | • piston | |
| | 270603 | 6 | • Piston ring kit | |
| | | 6 | • • oil ring | |
| | | | • • expander ring | |
| | | 6 | • • compression ring | |
| | | 6 | • • compression ring | |
| | 423342 | 6 | • Piston pin | |
| | 423124 | 12 | • Snap ring | |
| | | 6 | • seal ring | |
| | | 12 | • seal ring | |
| | | 6 | • seal ring | |
| | | 6 | • piston | |
| | | 6 | • oil ring | |
| | | 6 | • expander ring | |
| | | 6 | • compression ring | |
| | | 6 | • compression ring | |
| | 270130 | 6 | Big-end bearing kit | Std D |
| | 270131 | 6 | Big-end bearing kit | 0.25mm u.s |
| | 270132 | 6 | Big-end bearing kit | 0.50mm u.s |
| | (270133) | 6 | Big-end bearing kit | 0.75mm u.s |
| | 270134 | 6 | Big-end bearing kit | 1,00mm u.s |
| | 270135 | 6 | Big-end bearing kit | 1,25mm u.s |
| | 270449 | 7 | Main bearing kit | Std D |
| | 270450 | 7 | Main bearing kit | 0.25mm u.s |
| | 270451 | 7 | Main bearing kit | 0.50mm u.s |
| | (270452) | 7 | Main bearing kit | 0.75mm u.s |
| | 276791 | 1 | Thrust washer kit | Std D |
| | 276792 | 1 | Thrust washer kit | 0.1mm o.s |
| | 276793 | 1 | Thrust washer kit | 0.2mm o.s |
| | (423288) | 4 | Thrust washer | 0.3mm o.s |
| | 275548 | 6 | Cylinder head gasket, cylinder head | |
| | 422413 | 6 | • Sealing ring | D=11mm |
| | 423326 | 12 | • Sealing ring | D=32mm |
| | 422415 | 12 | • Sealing ring | D=18mm |
| | 876404 | 1 | Gasket kit, induction manifold | |
| | 469830 | 6 | • O-ring | |
| | 424618 | 2 | • Gasket | (469560) |
| | 875840 | 1 | Gasket kit, exhaust manifold | |
| | 470534 | 6 | • Gasket | |
| | 468646 | 12 | • Lock washer | |
| | 423350 | 6 | • Lock washer | |
| | 941744 | 36 | • Washer | |
| | 876352 | 1 | Gasket kit, turbo | |

7746460

-99-54157839 Upd:7/24/2022

TD121G

| REF | PART NO. | QTY | DESCRIPTION | NOTES |
|-----|----------|-----|-------------------------------------|-------------------------|
| 1 | 876083 | 6 | Cylinder liner kit | (275074) |
| | | 6 | • cylinder liner | |
| | 271155 | 6 | • Sealing ring kit | SN-XXXXXXXXXX/136970 |
| | 270950 | 6 | • Gasket kit | SN XXXXXXXXXXXX/136971- |
| | | 6 | • • seal ring | |
| | | 12 | • • seal ring | |
| | | 6 | • • seal ring | |
| | | 6 | • piston | |
| | 270603 | 6 | • Piston ring kit | |
| | | 6 | • • oil ring | |
| | | | • • expander ring | |
| | | 6 | • • compression ring | |
| | | 6 | • • compression ring | |
| | 423342 | 6 | • Piston pin | |
| | 423124 | 12 | • Snap ring | |
| | | 6 | • seal ring | |
| | | 12 | • seal ring | |
| | | 6 | • seal ring | |
| | | 6 | • piston | |
| | | 6 | • oil ring | |
| | | 6 | • expander ring | |
| | | 6 | • compression ring | |
| | | 6 | • compression ring | |
| | 270130 | 6 | Big-end bearing kit | Std D |
| | 270131 | 6 | Big-end bearing kit | 0.25mm u.s |
| | 270132 | 6 | Big-end bearing kit | 0.50mm u.s |
| | (270133) | 6 | Big-end bearing kit | 0.75mm u.s |
| | 270134 | 6 | Big-end bearing kit | 1,00mm u.s |
| | 270135 | 6 | Big-end bearing kit | 1,25mm u.s |
| | 270449 | 7 | Main bearing kit | Std D |
| | 270450 | 7 | Main bearing kit | 0.25mm u.s |
| | 270451 | 7 | Main bearing kit | 0.50mm u.s |
| | (270452) | 7 | Main bearing kit | 0.75mm u.s |
| | 276791 | 1 | Thrust washer kit | Std D |
| | 276792 | 1 | Thrust washer kit | 0.1mm o.s |
| | 276793 | 1 | Thrust washer kit | 0.2mm o.s |
| | (423288) | 4 | Thrust washer | 0.3mm o.s |
| | 275548 | 6 | Cylinder head gasket, cylinder head | |
| | 422413 | 6 | • Sealing ring | D=11mm |
| | 423326 | 12 | • Sealing ring | D=32mm |
| | 422415 | 12 | • Sealing ring | D=18mm |
| | 876404 | 1 | Gasket kit, induction manifold | |
| | 469830 | 6 | • O-ring | |
| | 424618 | 2 | • Gasket | (469560) |
| | 875840 | 1 | Gasket kit, exhaust manifold | |
| | 470534 | 6 | • Gasket | |
| | 468646 | 12 | • Lock washer | |
| | 423350 | 6 | • Lock washer | |
| | 941744 | 36 | • Washer | |
| | 876352 | 1 | Gasket kit, turbo | |

7746460

-99-54157836 Upd:7/24/2022

TID121K, TID121KG, TID121KP

| REF | PART NO. | QTY | DESCRIPTION | NOTES |
|-----|----------|-----|---|--------------------|
| | 469846 | 6 | • Sealing ring | |
| | 969011 | 22 | • Gasket | (947621) |
| | 942580 | 12 | • Gasket | |
| | 940096 | 1 | • Gasket | |
| | 468557 | 1 | • Gasket | |
| | 468116 | 1 | • Gasket | |
| | 975610 | 1 | • O-ring | |
| | 468094 | 1 | • Sealing ring | |
| | 925059 | 1 | • O-ring | |
| | 423123 | 1 | • Sealing ring | |
| | 957171 | 4 | • Gasket | |
| | 422130 | 1 | • Gasket | |
| | 11996 | 4 | • Gasket | |
| | 470745 | 1 | • Gasket | (424603) |
| | 957181 | 4 | • Gasket | |
| | 424621 | 1 | • Gasket | |
| | 849567 | 1 | • Sealing ring | |
| | 470383 | 2 | • Sealing ring | |
| | 421158 | 1 | • Sealing ring | (424342) |
| | 949658 | 3 | • O-ring | |
| | 469486 | 1 | • Gasket | |
| | 949659 | 1 | • O-ring | |
| | 469483 | 1 | • Sealing ring | |
| | 418326 | 2 | • Sealing ring | |
| | 424580 | 1 | • Sealing ring | |
| | 470263 | 1 | • Sealing ring | |
| | 470527 | 2 | • Sealing ring | |
| | 925092 | 1 | • O-ring | |
| | 1161231 | 1 | • Sealant | |
| | 15304 | 1 | • Gasket | |
| | 947620 | 3 | • Gasket | |
| | 18666 | 1 | • Gasket | |
| | 11994 | 2 | • Gasket | |
| | 947281 | 2 | • Gasket | |
| | 423352 | 1 | • Gasket | |
| | 1544410 | 1 | • Sealing ring | |
| | 1544710 | 1 | • Sealing ring | |
| | 423351 | 1 | • Gasket | |
| | 925257 | 1 | • O-ring | |
| | 1664473 | 1 | • O-ring | |
| | 468461 | 2 | • Gasket | |
| | 469328 | 6 | • Gasket | |
| | 424983 | 1 | • Sealing ring | |
| | 941666 | 1 | • Sealing ring | |
| | 270698 | 1 | Repair kit, air compressor | Compressor 1590264 |
| | 1696201 | 1 | • O-ring | |
| | 1697703 | 1 | • Gasket | |
| | 1697704 | 1 | • Gasket | (1518373) |
| | 1697705 | 1 | • Gasket | |
| | | 4 | • Valve Spring | |
| | | 2 | • valve plate | |
| | | 2 | • piston | |
| | | 2 | • o-ring | |
| | | 1 | • spring | |
| | | 1 | • pressure plate | |
| | | 2 | • valve plate | |
| | | 2 | • guide | |
| | 845240 | 1 | Repair kit • fuel inj. pump 845216 848770 | |

| REF | PART NO. | QTY | DESCRIPTION | NOTES |
|-----|----------|-----|-------------------|----------|
| | 975610 | 1 | • O-ring | |
| | 418326 | 2 | • Sealing ring | |
| | 421158 | 1 | • Sealing ring | |
| | 422130 | 1 | • Gasket | |
| | 423123 | 1 | • Sealing ring | |
| | 423351 | 1 | • Gasket | |
| | 423352 | 1 | • Gasket | |
| | 424580 | 1 | • Sealing ring | |
| | 424621 | 1 | • Gasket | |
| | 468094 | 1 | • Sealing ring | |
| | 468116 | 1 | • Gasket | |
| | 468557 | 1 | • Gasket | |
| | 469328 | 6 | • Gasket | |
| | 469477 | 1 | • Sealing ring | |
| | 469483 | 1 | • Sealing ring | |
| | 469486 | 1 | • Gasket | |
| | 424983 | 1 | • Sealing ring | |
| | 469823 | 3 | • Gasket | |
| | 469846 | 7 | • Sealing ring | |
| | 470263 | 1 | • Sealing ring | |
| | 470383 | 2 | • Sealing ring | |
| | 470527 | 2 | • Sealing ring | |
| | 471626 | 3 | • Rubber moulding | |
| | 849567 | 1 | • Sealing ring | (821754) |
| | 907132 | 5 | • Gasket | |
| | 925059 | 1 | • O-ring | |
| | 925092 | 1 | • O-ring | |
| | 925257 | 1 | • O-ring | |
| | 940096 | 1 | • Gasket | |
| | 941666 | 1 | • Sealing ring | |
| | 942580 | 12 | • Gasket | |
| | 947281 | 2 | • Gasket | |
| | 947620 | 3 | • Gasket | |
| | 949658 | 3 | • O-ring | |
| | 949659 | 1 | • O-ring | |
| | 957171 | 4 | • Gasket | |
| | 957181 | 4 | • Gasket | |
| | 969011 | 22 | • Gasket | |
| | 1161231 | 1 | • Sealant | |
| | 1544410 | 1 | • Sealing ring | |
| | 1544710 | 1 | • Sealing ring | |
| | 1664473 | 1 | • O-ring | |

| REF | PART NO. | QTY | DESCRIPTION | NOTES |
|-----|----------|-----|----------------------------|----------------------|
| 1 | 864410 | 1 | Injection pump | |
| | 3803701 | 1 | Injection pump | |
| 2 | 478647 | 1 | Bracket | |
| 3 | (423161) | 2 | • Guide sleeve | |
| 4 | 417588 | 1 | • Guide sleeve | |
| 5 | 955566 | 4 | Hexagon screw | |
| 6 | 940280 | 4 | Spring washer | |
| 7 | 940156 | 4 | Hexagon screw | |
| 8 | 190509 | 4 | Washer | |
| 9 | 477173 | 1 | Pressure equalizer | |
| 10 | 969011 | 1 | Gasket | |
| 11 | 848677 | 1 | Intermediate lever | For stop solenoid. |
| 12 | 941906 | 1 | Spring washer | For stop solenoid. |
| 13 | (955637) | 1 | Hexagon screw | For stop solenoid. |
| 14 | 1676832 | 1 | Housing | Replaced by 8194541. |
| | 8194541 | 1 | Fuel filter housing | |
| 15 | 471177 | 1 | • Hollow screw,air venting | For 1676832 |
| 15A | 947620 | 1 | • Gasket | For 1676832 |
| 16 | 1330191 | 1 | • Bleeder nipple | For 8194541 |
| 16A | 656456 | 1 | • Protective cap | For 8194541 |
| 17 | 968062 | 3 | Plug | |
| 18 | 476438 | 1 | Bracket | |
| 19 | 3825133 | 2 | Fuel filter | (466987) |
| 20 | 940162 | 1 | Hexagon screw | L=38mm |
| | 955536 | 1 | Hexagon screw | L=45mm |
| 21 | 960142 | 2 | Washer | |
| 22 | 942336 | 2 | Spring washer | |
| 23 | 955827 | 2 | Hexagon nut | |
| 24 | 940114 | 2 | Hexagon screw | |
| 25 | 942336 | 2 | Spring washer | |
| 26 | 470185 | 1 | Leak-off line | |
| 27 | 969011 | X | Gasket | |
| 28 | 25167 | X | Hollow screw | |
| 29 | 422246 | 1 | Return pipe | |
| 30 | 942007 | 1 | Hollow screw | |
| 31 | 11998 | 1 | Gasket | |
| 32 | 942703 | 1 | Gasket | |
| 33 | 470514 | 1 | Oil pressure pipe | |
| 34 | 947281 | 2 | Gasket | |
| 35 | 48634 | 1 | Hollow screw | |
| 36 | 942081 | 1 | Hollow screw | |
| 37 | 11994 | 1 | Gasket | |
| 38 | 18666 | 1 | Gasket | |
| 39 | 952631 | 2 | Clamp | |
| 40 | 967949 | 1 | Flange screw | (965175) |
| 40A | 945407 | 1 | Flange nut | |
| 41 | 965552 | 1 | Bracket | |
| 42 | | 1 | | |
| 43 | | 1 | | |
| 44 | 866663 | 2 | Retainer | |
| 45 | 3826263 | 1 | Hose | |
| 46 | 3825602 | 1 | Fuel hose | |
| 47 | 3825603 | 1 | Fuel hose | |
| 48 | 3826142 | 1 | Hose | |
| 49 | 25167 | 1 | Hollow screw | |
| 50 | 969011 | 2 | Gasket | |
| 51 | 3826145 | 1 | Bracket | |
| 52 | 823196 | 2 | Spacer sleeve | |
| 53 | 843075 | 2 | Spacer sleeve | |
| 54 | 940280 | 2 | Spring washer | |
| 55 | 955570 | 2 | Hexagon screw | |
| 56 | 941754 | 5 | Nipple | |
| 57 | 969011 | 5 | Gasket | |

7746460-23-54162601

53749

Upd:7/24/2022

TD120HP, TD121G, TD121GG, TD121GGP, TD121GGP-87, TD121GP, TD121GPB, TID121K, TID121K-87, TID121KG, TID121KGP, TID121KP, TID121KP

VOLVO
PENTA

| REF | PART NO. | QTY | DESCRIPTION | SEE SEC. | NOTES |
|-----|----------|-----|--------------------------------|----------|--|
| 1 | 8149937 | 1 | Coolant pump | | (1675945) |
| 2 | 1675947 | 1 | • Shaft | | Included in repair kit 276814 for water pump 1675945. |
| 3 | | 1 | • • | | Included in repair kit 276814 for water pump 1675945. |
| 4 | 470265 | 1 | • Gear | | |
| 5 | 181286 | 1 | • Ball bearing | | Included in repair kit 276814 for water pump 1675945. |
| 6 | 940100 | 3 | • Hexagon screw | | |
| 7 | 1545359 | 1 | • Lock plate | | Included in repair kit 276814 for water pump 1675945. |
| 8 | 1545358 | 1 | • Lock plate | | Included in repair kit 276814 for water pump 1675945. |
| 9 | | 1 | • | | |
| 10 | 941906 | 4 | • Spring washer | | Included in repair kit 276814 for water pump 1675945. |
| 11 | 955513 | 4 | • Hexagon screw | | |
| 12 | 469418 | 1 | • Cover | | |
| 13 | 925262 | 1 | • O-ring | | Included in repair kit 276814 for water pump 1675945. |
| 14 | 1675944 | 1 | • Impeller | | Included in repair kit 276814 for water pump 1675945. |
| 15 | 1676561 | 1 | • Sealing ring | | (1675943) |
| 16 | 184816 | 1 | • Ball bearing | | Included in repair kit 276814 for water pump 1675945., (183891) |
| 17 | 978293 | 1 | • Sealing ring | | Included in repair kit 276814 for water pump 1675945. |
| 18 | 925257 | 1 | O-ring | | Included in repair kit 276814 for water pump 1675945. |
| 19 | 1664473 | 2 | O-ring | | Included in repair kit 276814 for water pump 1675945. |
| 20 | 955542 | 4 | Hexagon screw | | Early type |
| | 942529 | 1 | Hexagon screw,cable attachment | | L=108mm, late type |
| 20A | 855289 | 1 | Spacer sleeve,cable attachment | | L=34mm, late type |
| 21 | 955535 | 1 | Hexagon screw | | |
| 22 | 942336 | 5 | Spring washer | | |
| 23 | 940097 | 1 | Washer | | |
| 24 | 470396 | 1 | Thermostat housing | | |
| 25 | | 1 | | | See group 30 |
| 26 | | 1 | | | See group 30 |
| 27 | 423352 | 1 | Gasket | | |
| 28 | (862338) | 1 | Thermostat housing,upper | | |
| 29 | 959798 | 6 | Hexagon screw | | |
| 30 | 940097 | 2 | Washer | | |
| 31 | 478942 | 1 | Thermostat housing,lower | | |
| 32 | 1161231 | X | Sealant | | 304ml |
| | 1161277 | X | Sealant | | 10g |
| 33 | 955535 | 5 | Hexagon screw | | L=32mm |
| | 955541 | 2 | Hexagon screw | | L=76mm |
| 34 | 942336 | 7 | Spring washer | | |
| 35 | 951973 | 2 | Spring pin | | |
| 36 | 8149186 | 1 | Thermostat | | 86°C |
| 37 | 1675868 | 1 | Pulley | | |
| 38 | 1675786 | 1 | Fan hub | | |
| 39 | 955535 | 4 | Hexagon screw | | |
| 40 | 942336 | 4 | Spring washer | | |
| 41 | 475888 | 1 | Anchorage | | |
| 42 | 845435 | 1 | Connecting pipe | | |
| 42A | 843908 | 1 | Flange | | |
| 43 | 845422 | 1 | Plastic plug | | |
| 44 | 994560 | 1 | Hose clamp | | |
| 45 | 469477 | 1 | Sealing ring | | |
| 46 | 940135 | 2 | Hexagon screw | | |
| 46A | 955524 | 2 | Hexagon screw | | |
| 47 | 941907 | 2 | Spring washer | | |
| 48 | 479977 | 2 | Plug | | (952077) |
| 49 | 960632 | 2 | Plug | | |
| 50 | 11998 | 2 | Gasket | | |
| 51 | 1544710 | 1 | Sealing ring | | |
| 52 | 1544410 | 1 | Sealing ring | | |
| 53 | | 1 | | 54170492 | |
| 54 | 947760 | 4 | Flange screw | | |
| 55 | 865768 | 1 | Fan hub | | |
| 56 | 969407 | 4 | Six point socket scr | | |

7746460-26-54170467

53742

Upd:7/24/2022

| DESCRIPTION | SEE SEC. | NOTES |
|---------------|----------|-------|
| Smoke Limiter | 54157641 | |
| | | |

CLICK HERE TO **DOWNLOAD** THE COMPLETE MANUAL

- Thank you very much for reading the preview of the manual.
- You can download the complete manual from: www.heydownloads.com by clicking the link below



- Please note: If there is no response to CLICKING the link, please download this PDF first and then click on it.

CLICK HERE TO **DOWNLOAD** THE COMPLETE MANUAL