

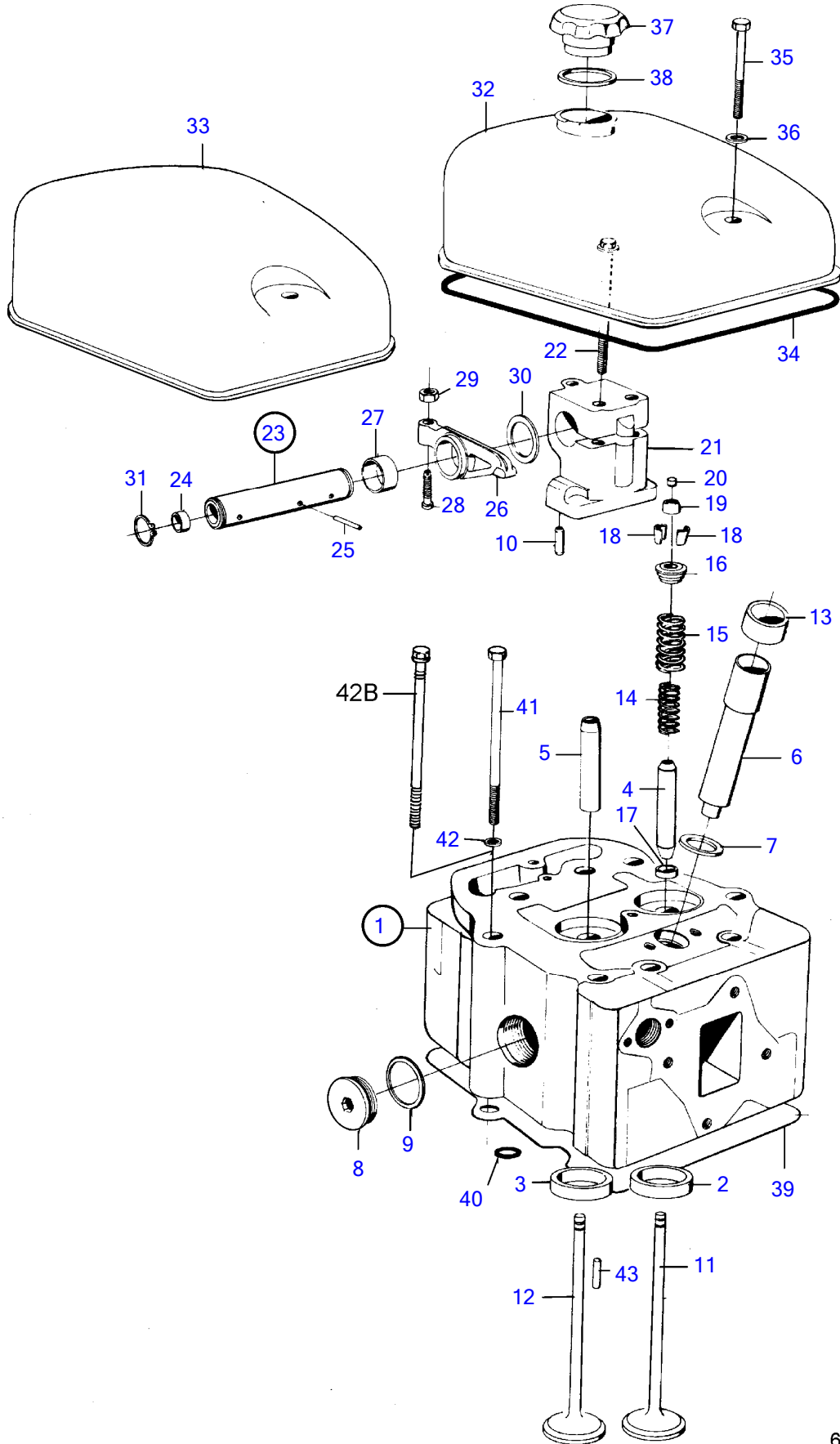
CLICK HERE TO **DOWNLOAD** THE COMPLETE MANUAL

- Thank you very much for reading the preview of the manual.
- You can download the complete manual from: [www.heydownloads.com](http://www.heydownloads.com) by clicking the link below

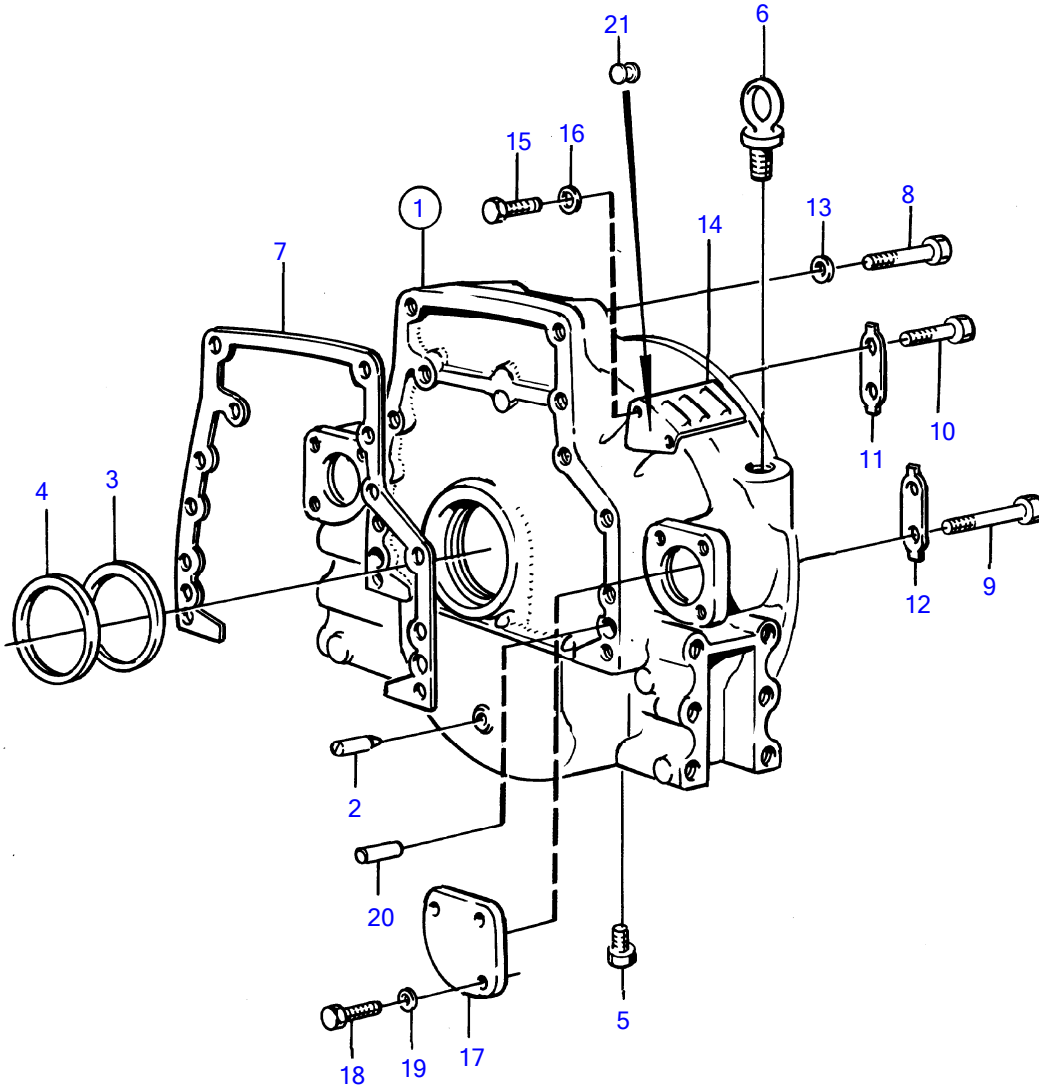


- Please note: If there is no response to CLICKING the link, please download this PDF first and then click on it.

CLICK HERE TO **DOWNLOAD** THE COMPLETE MANUAL



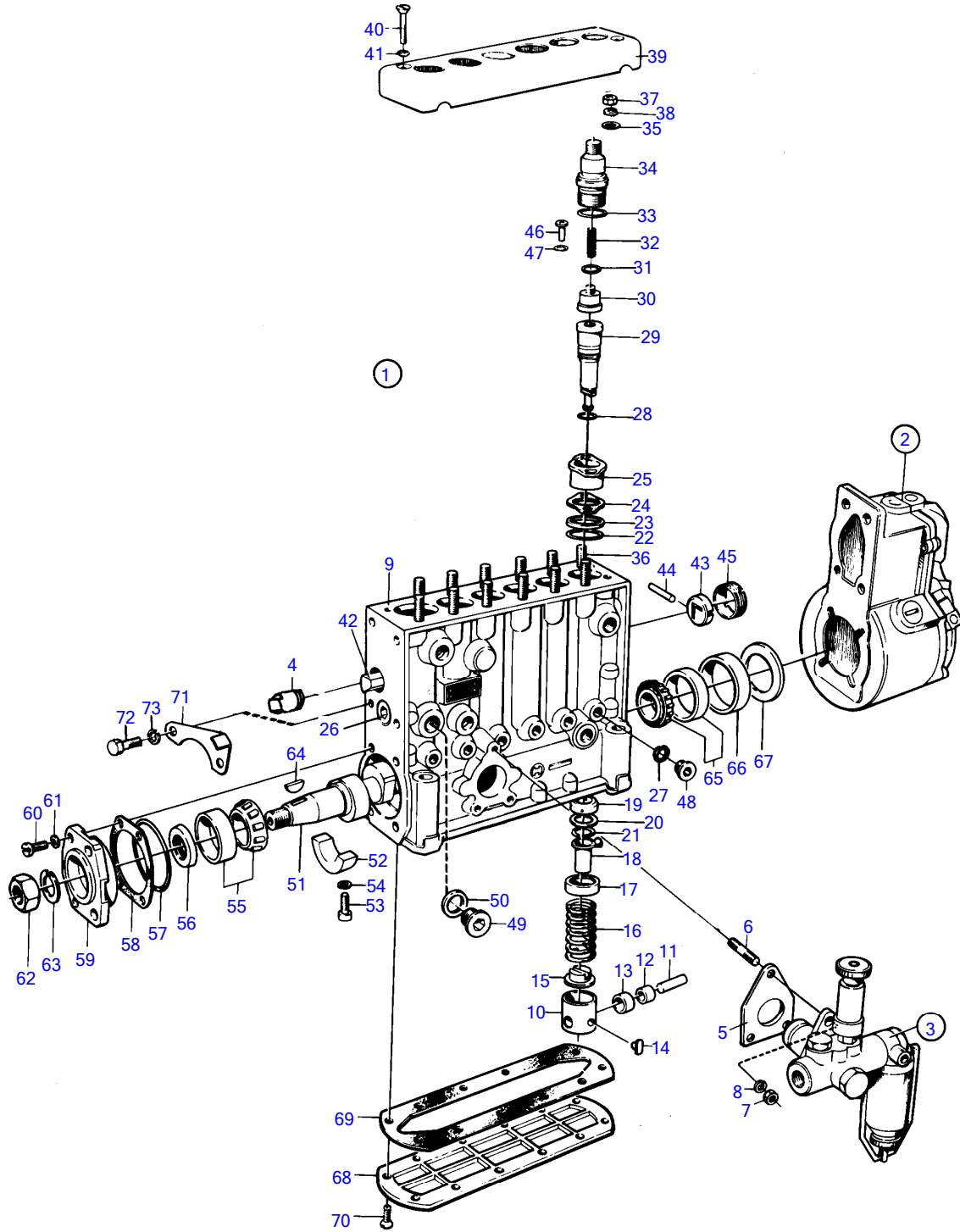
6177



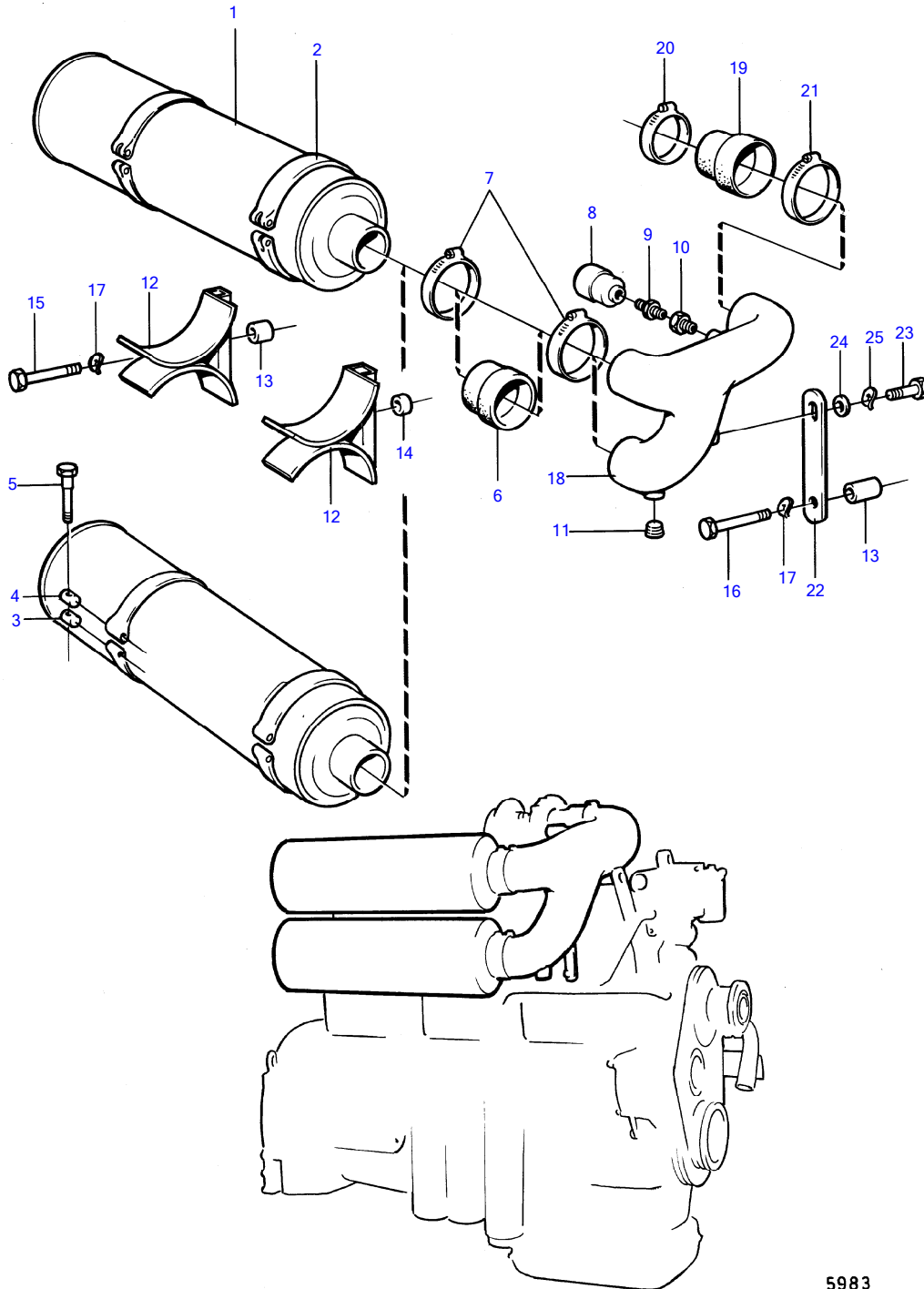
6131

TD120C

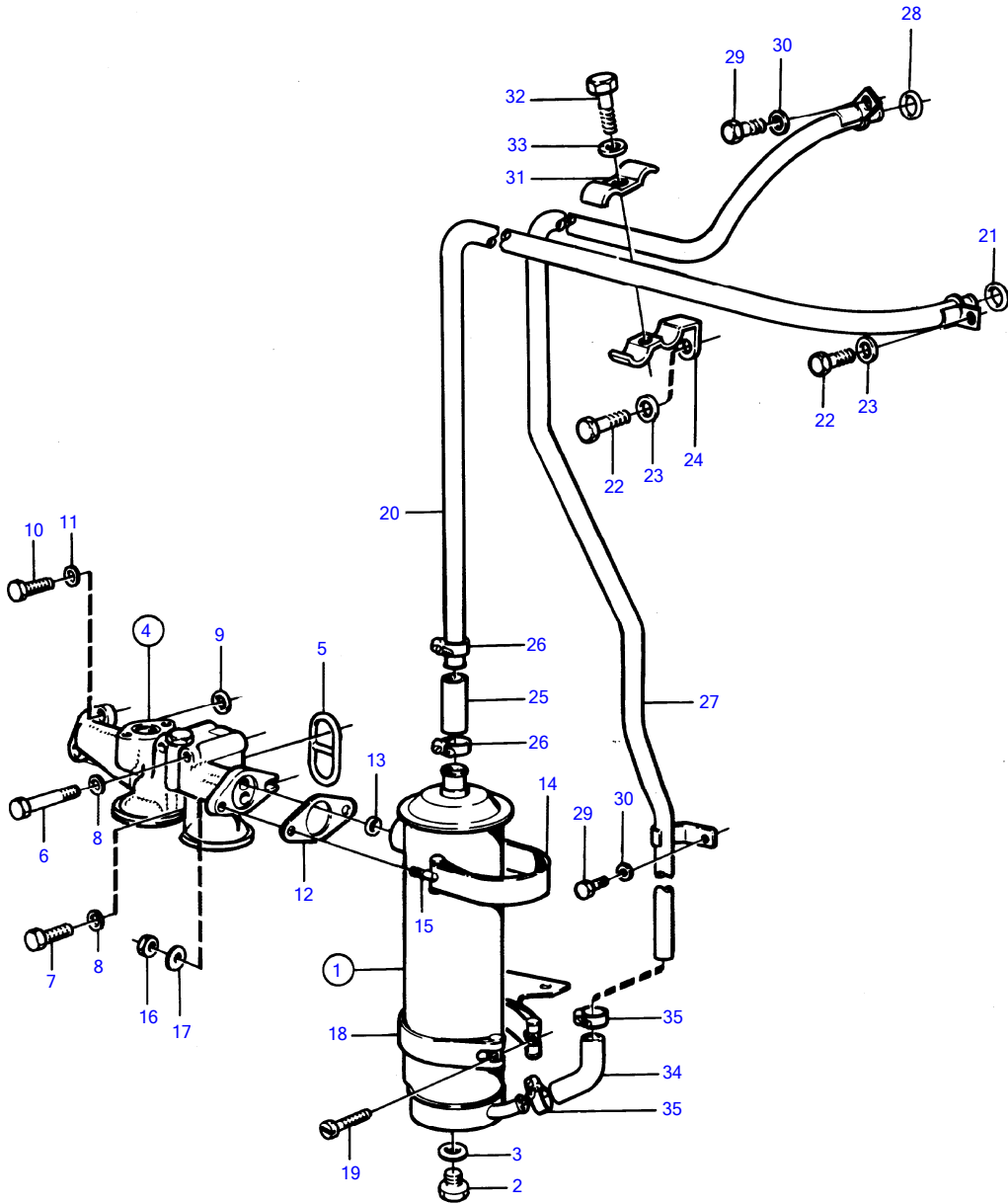
REF	PART NO.	QTY	DESCRIPTION
1	805999	1	Oil bilge pump
2	821713	1	• Handle
3	955827	1	• Hexagon nut
4	955536	2	Hexagon screw
5	955827	2	Hexagon nut
6	942336	2	Spring washer
7	821944	1	Rubber hose
8	957111	1	Elbow nipple
9	191929	1	Hollow screw
10	957185	2	Gasket
11	803490	1	Hose attachment
12	842332	1	Bracket
13	(955568)	1	Hexagon screw
14	940280	1	Spring washer
15	823196	1	Spacer sleeve
16	940186	2	Hexagon screw
17	941907	2	Spring washer
18	842350	2	Spacer sleeve
19	823575	4	Spacer sleeve



6323



5983



5438

REF	PART NO.	QTY	DESCRIPTION	NOTES
1	843595	1	Turbocharger	
2	(1518691)	1	• Turbine housing	
3	(843420)	1	• Rotor	
4		1	• • bearing housing	
5	(467554)	1	• • Turbine rotor	
6		2	• • Piston Ring	
7	(422360)	1	• • Lock ring	
8		1	• • Plate	
9		1	• • Sleeve	
10		2	• • bearing bushing	
11	(417727)	4	• • Lock ring	
12	(467026)	2	• • Thrust ring	
13		1	• • thrust bearing	
14	(422660)	1	• • Spacer sleeve	
15	(422662)	1	• • Splash plate	
16	(467556)	1	• • Ring retainer	
17		1	• • Piston Ring	
18	(467557)	1	• • Insert	
19		1	• • o-ring	
20	(420467)	1	• • Lock ring	
21	(467558)	1	• • Compressor wheel	
22	(1518784)	1	• • Nut	(422669)
23	417378	1	• • Gasket	
24	417381	1	• • Gasket	
25	(1518692)	1	• Compressor housing	
26	(422667)	1	• Clamp	
27	(420473)	1	• Nut	
28	417382	1	• Gasket	
29	955524	10	• Hexagon screw	
30	941907	10	• Spring washer	
31	955894	10	• Washer	
	843424	1	Repair kit	

TD120C

REF	PART NO.	QTY	DESCRIPTION	NOTES
1	(845010)	1	Attaching plate	
2	955270	2	Hexagon screw	
3	941906	2	Spring washer	
4	846654	1	Cube	
5	(88333)	1	Compression spring	
6	26694	1	Ball	
7	(69556)	2	Spring washer	
8	955964	2	Snap ring	
9	846657	1	Control rod	
10		1	arm	See group 2C
11	846656	1	Control arm	
12	955272	1	Hexagon screw	
13	(822488)	1	Control sleeve	
14	(836791)	1	Compression spring	
15	846655	1	Piston	
16	(69556)	2	Spring washer	
17	955964	1	Snap ring	

CLICK HERE TO **DOWNLOAD** THE COMPLETE MANUAL

- Thank you very much for reading the preview of the manual.
- You can download the complete manual from: [www.heydownloads.com](http://www.heydownloads.com) by clicking the link below



- Please note: If there is no response to CLICKING the link, please download this PDF first and then click on it.

CLICK HERE TO **DOWNLOAD** THE COMPLETE MANUAL

TD120C

REF	PART NO.	QTY	DESCRIPTION	NOTES
1			cable	
	954443	X	• Electric cable, 5 sq mm black	
	954444	X	• Electric cable, 5 sq mm brown	
	954445	X	• Electric cable, 5 sq mm red	
	(954446)	X	• Electric cable, 5 sq mm yellow	
	(954447)	X	• Electric cable, 5 sq mm green	
	(954448)	X	• Electric cable, 5 sq mm blue	
	(954449)	X	• Electric cable, 5 sq mm grey	
	(954450)	X	• Electric cable, 5 sq mm ivory	
	(961795)	X	• Electric cable, 5 sq mm ivory1 blue	
	954451	X	• Electric cable, 5 sq mm black	
	(954452)	X	• Electric cable, 5 sq mm brown	
	(954453)	X	• Electric cable, 5 sq mm red	
	(954455)	X	• Electric cable, 5 sq mm green	
	(954456)	X	• Electric cable, 5 sq mm blue	
	(954458)	X	• Electric cable, 5 sq mm ivory	
		X	•	
	954461	X	• Electric cable	
	(954464)	X	• Electric cable	
	(954465)	X	• Electric cable	
	954467	X	• Electric cable	
	954469	X	• Electric cable	
	(954471)	X	• Electric cable	
		X	•	
		X	•	
		X	•	
	954485	X	• Electric cable	
		X	•	
	(954500)	X	• Electric cable	
	954502	X	• Electric cable	
2	(185501)	X	Hose	D=9mm, i.d=8mm
	(185504)	X	Hose	D=11,5mm, i.d=8mm
	(185506)	X	Hose	D=6mm, i.d=5mm
	(185507)	X	Hose	D=11mm, i.d=10mm
	(185508)	X	Hose	D=16mm, i.d=14mm
	(185509)	X	Outer casing	D=19mm, i.d=15mm
3	827353	X	Cable tie	Nylon
	(335146)	X	Cable tie	Al
4		X	•	
	942659	X	• Terminal block	
	942660	X	• Terminal block	
	(942558)	X	• Terminal block	
	(942661)	X	• Terminal block	
	(942662)	X	• Terminal block	
5	182010	X	• Coupling piece	Max 15mm <sup>2</sup>
	190128	X	• Coupling piece	Max 15mm <sup>2</sup>
	190476	X	• Coupling piece	Max 20mm <sup>2</sup>
	(941412)	X	• Coupling piece	Max 20mm <sup>2</sup>
6	(956924)	X	Terminal	BB225B MO 20394-, BB260B MO 20364-, I.d=3,7mm D=5,6mm
7	(881516)	X	Terminal	BB225B MO 20394-, BB260B MO 20364-, I.d=3,5mm D=5,5mm
	881492	X	Terminal	Replaced by 841069., I.d=4,3mm D=8,7mm
	881493	X	Terminal	Replaced by 841069., I.d=5,2mm D=8,7mm
	881508	X	Terminal	Replaced by 841069., I.d=6,7mm D=11,9mm
	881494	X	Terminal	Replaced by 841069., I.d=8,3mm D=11,9mm
	881504	X	Terminal	Replaced by 841069., I.d=10,5mm D=15,9mm
	881506	X	Terminal	Replaced by 841729., I.d=4,3mm D=9,5mm
	881495	X	Terminal	Replaced by 841729., I.d=5,2mm D=9,5mm
	881496	X	Terminal	Replaced by 841729., I.d=6,7mm D=12,7mm
	(881497)	X	Terminal	Replaced by 841729., I.d=8,3mm D=12,7mm
	881498	X	Terminal	Replaced by 841729., I.d=10,5mm D=15,4mm
	881500	X	Terminal	MO 15712-19205., I.d=5,2mm D=15,9mm
	881501	X	Terminal	MO 15712-19205., I.d=6,7mm D=15,9mm

7742030-30-54146262

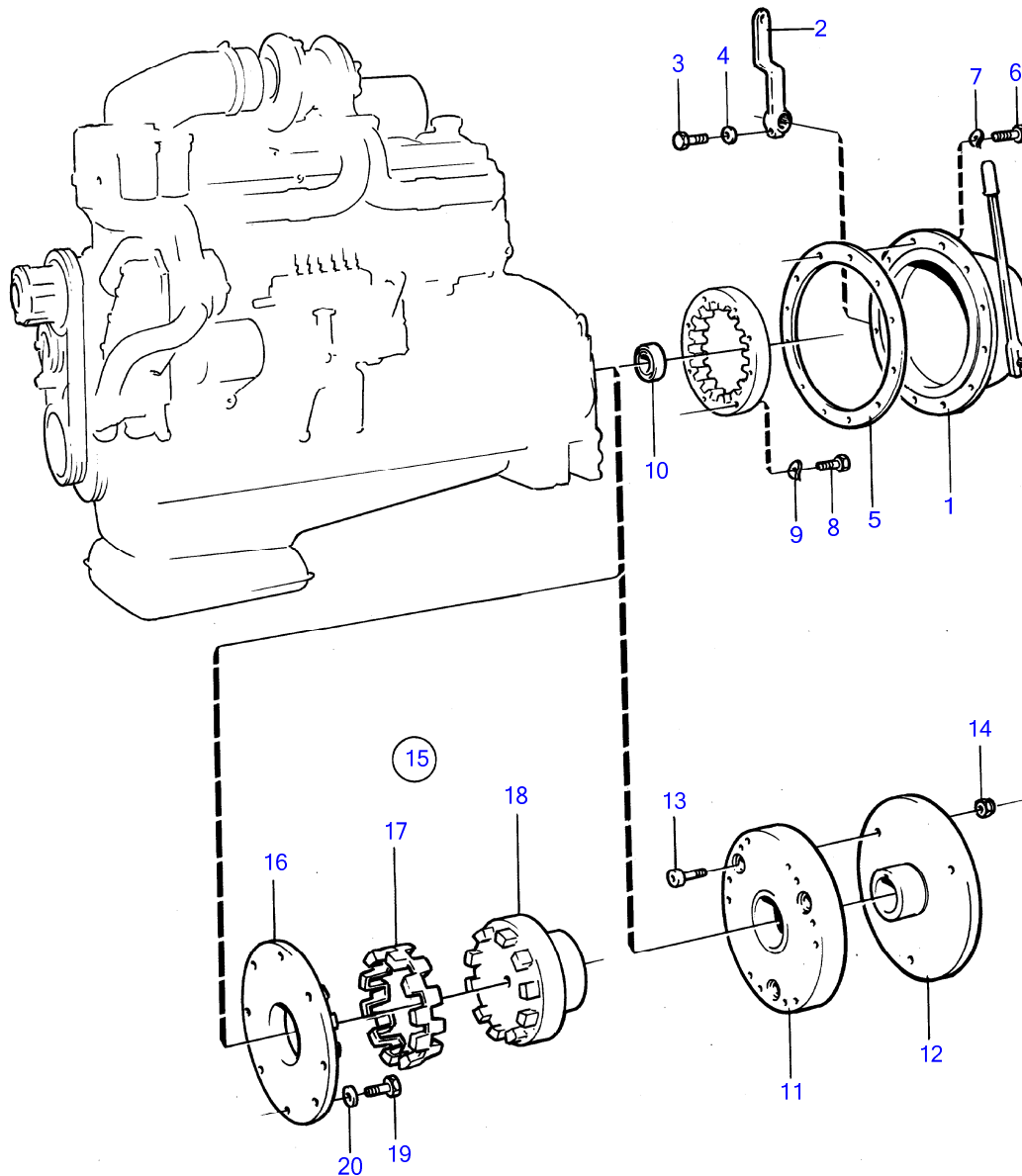
47602

Upd:7/18/2022

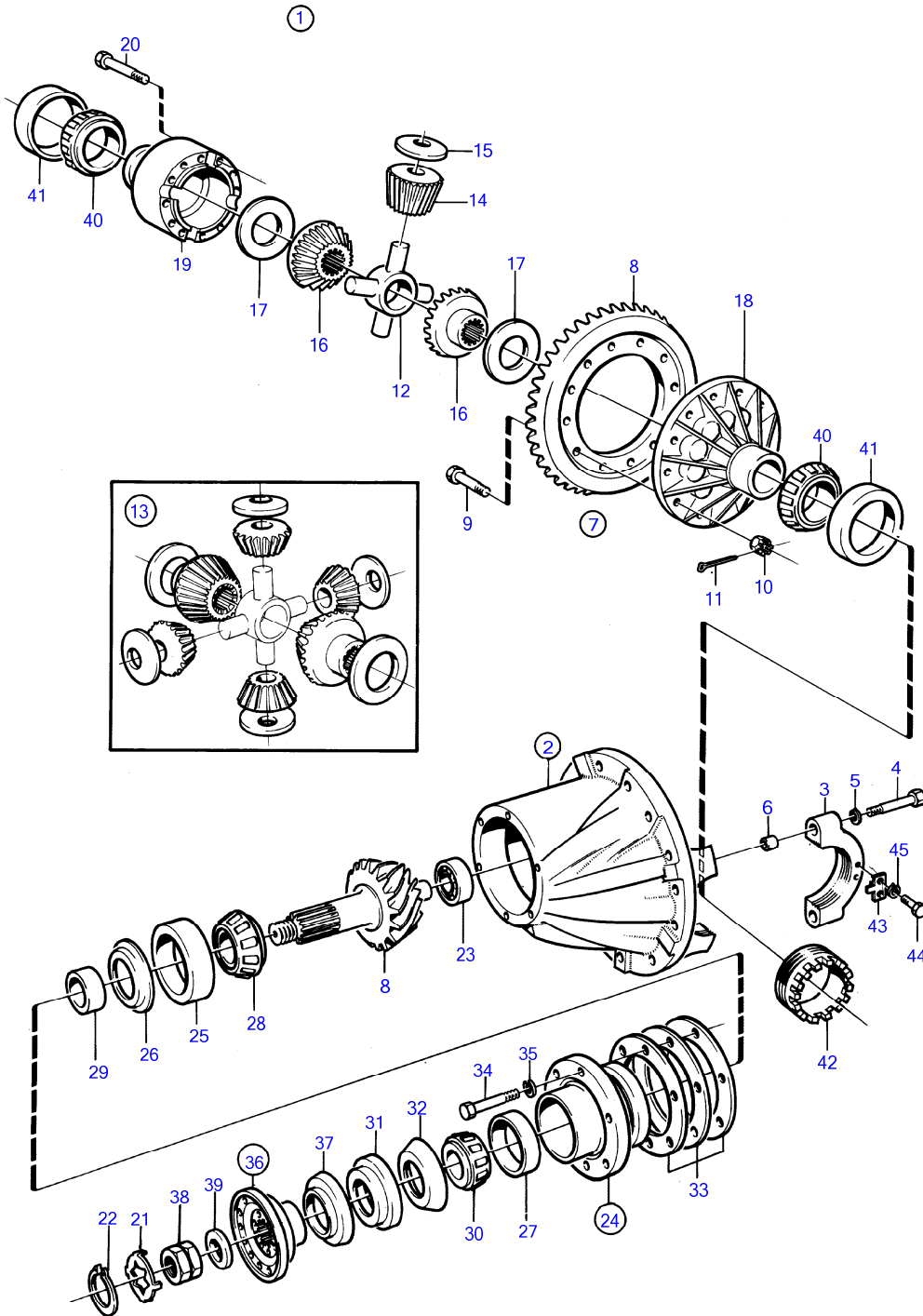
TD120C

REF	PART NO.	QTY	DESCRIPTION	SEE SEC.	NOTES
1	(844860)	1	Instrument panel		For MS3B reverse gear.
2	(821385)	1	• Instrument panel		
3	(813864)	1	• Instrument		
4	(827149)	1	• Thermometer		
5	(809485)	1	• Housing		
6	(809487)	1	• Nut		
7	(809488)	1	• Spring washer		
8	182034	1	• Bulb		(277803)
9	808175	2	• Bulb socket		
10	182059	2	• Bulb		
11	(819079)	1	• Pull switch		
12	241315	1	• Starter switch		
13	(241383)	2	• • Key		For charging of 2 batteries use charge distributor 831793
14	843836	2	• Push button		
15	(843837)	2	• Connector unit		
16	(821388)	1	• Sign		
17	(821387)	1	• Sign		
18	(821386)	1	• Plug		
19		1	•		
20	(672750)	1	• • Retainer		(656852)
21	(95497)	1	• • Tubular rivet		
22		X	• • cables and terminals	54146262	

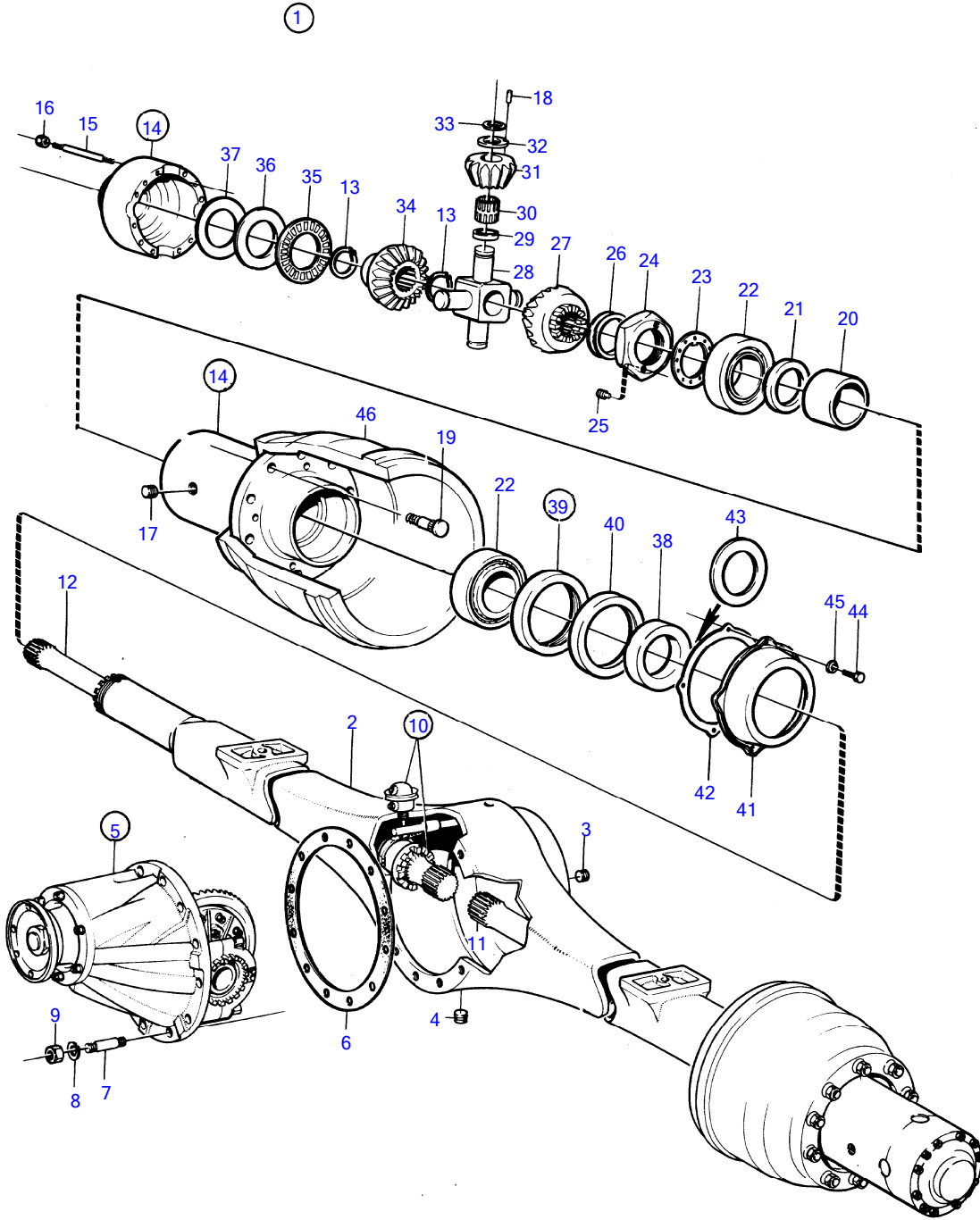
REF	PART NO.	QTY	DESCRIPTION	NOTES
1	468202	1	Starter motor	24V
2	(243702)	1	• Field winding	
3	(240448)	1	• Insulating washer	
4	956224	8	• Cross recessed screw	
5	(243171)	1	• Bearing shield	
6	(243172)	1	• • Sealing ring	
7	240453	1	• • Needle bearing	
8	(241903)	1	• • Washer	
9	(240455)	1	• • Bearing bushing	
10	(240456)	1	• Bearing shield	
11	955246	4	• Hexagon screw	
12	941905	4	• Spring washer	(955918)
13	240457	1	• Spacer washer	
14	(244348)	1	• Bearing shield	
15	240481	1	• • Bearing bushing	
16	243089	1	• • Carbon brush set	
17	240478	4	• • Brush spring	
18	956075	2	• • Cross recessed screw	
19	941905	2	• • Spring washer	(955918)
20	(240479)	1	• • Screw	
21	(243712)	1	• • Bolt	
22	(243175)	X	• • Insulating plate	TH=0.3mm
23	(870856)	1	• • Screw	
24	(240458)	1	• Rotor	
25	243091	1	• • Needle bearing	
26		1	•	Repl by 845108
27	(243781)	1	• • Thrust ring	
	(243782)	1	• • Washer	
28	(243703)	X	• • Adjusting washer	TH=0.35mm
	(243704)	X	• • Adjusting washer	TH=0.40mm
	(244367)	X	• • Adjusting washer	TH=0.45mm (243705)
	(243706)	X	• • Adjusting washer	TH=0.50mm
	(244369)	X	• • Adjusting washer	TH=0.55mm (243707)
	(244370)	X	• • Adjusting washer	TH=0.60mm (243708)
	(244371)	X	• • Adjusting washer	TH=0.65mm (243709)
29	(243780)	5	• • Disc	
30		6	• •	
31	(243778)	1	• • Clutch half	
32	(243179)	1	• • Stop ring	
33	(241908)	1	• • Lock ring	
34	(243710)	1	• Sealing ring	
35	(273552)	1	• Repair kit	
36	240470	1	• Spring	
37	(240471)	1	• Lock ring	
38	243180	1	• Starter pinion	
39	240473	1	• Key	
40	(240474)	1	• Lock washer	
41	(955801)	1	• Hexagon nut	
42	(241901)	1	• Bolt	L=196mm
	(241902)	3	• Bolt	L=245mm
43	941906	2	• Spring washer	(955919)
44	955781	2	• Hexagon nut	
45	956094	2	• Cross recessed screw	(243714)
46	241904	X	• Shim	TH=0.2mm
	(240486)	X	• Shim	TH=0.3mm
	(240487)	X	• Shim	TH=0.5mm
47	240496	1	• Protecting casing	
48	(243713)	2	• Bolt	
49	(240498)	2	• Washer	
50	(870829)	2	• Gasket	
51	(72201)	2	• Washer	
52	(72225)	2	• O-ring	
53	240488	1	• Actuator solenoid	



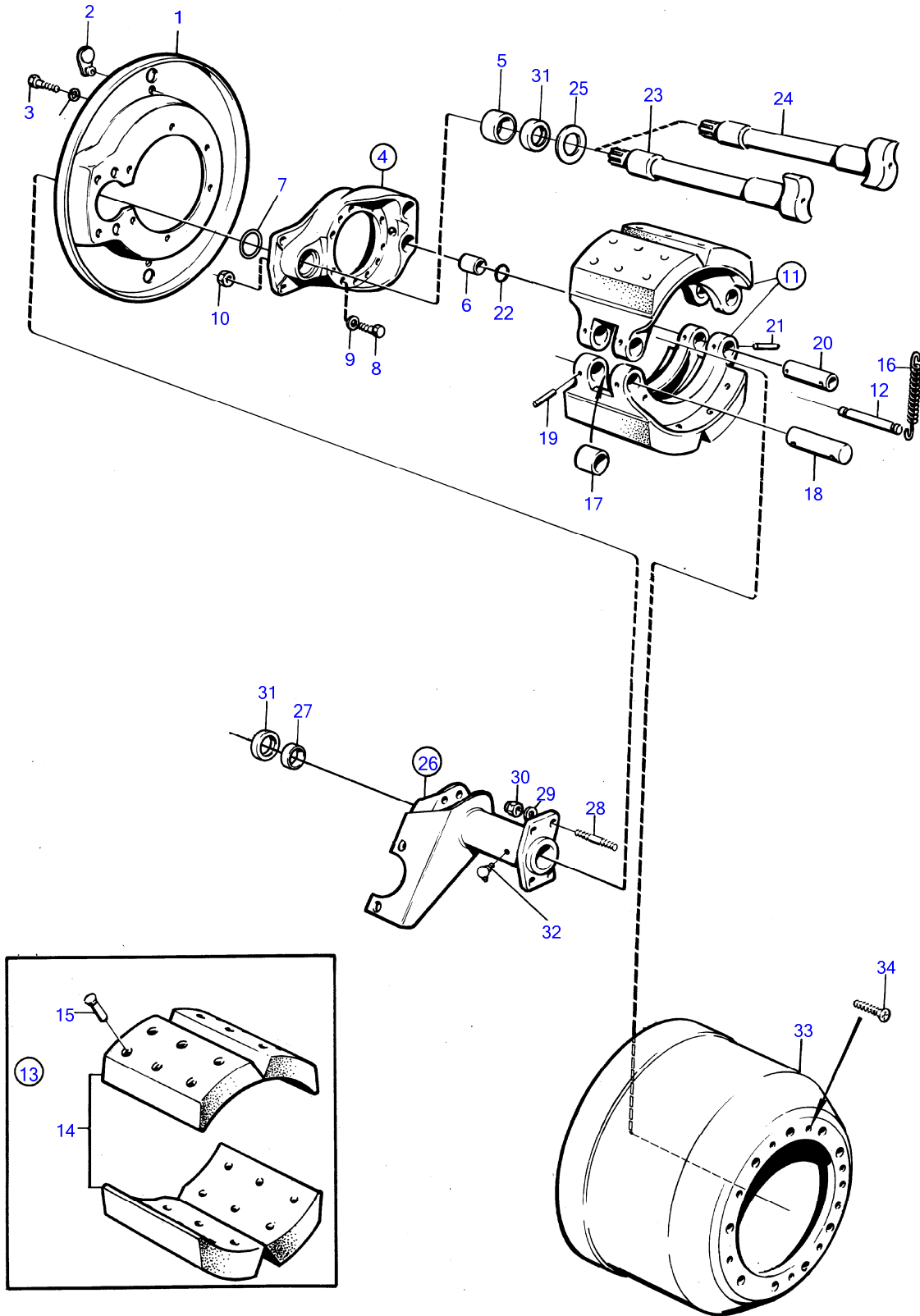
5957



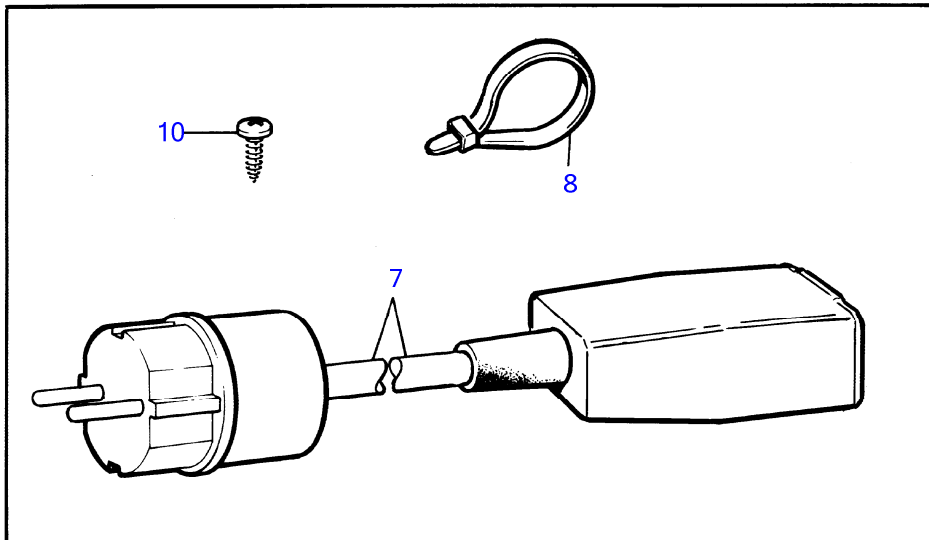
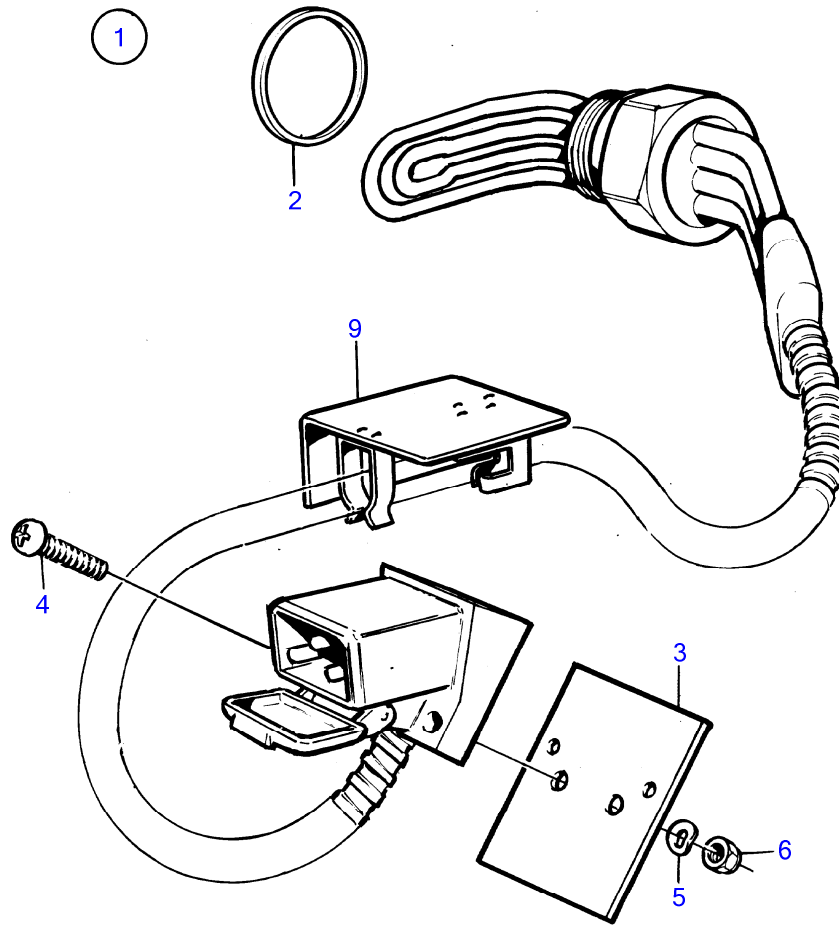
6119



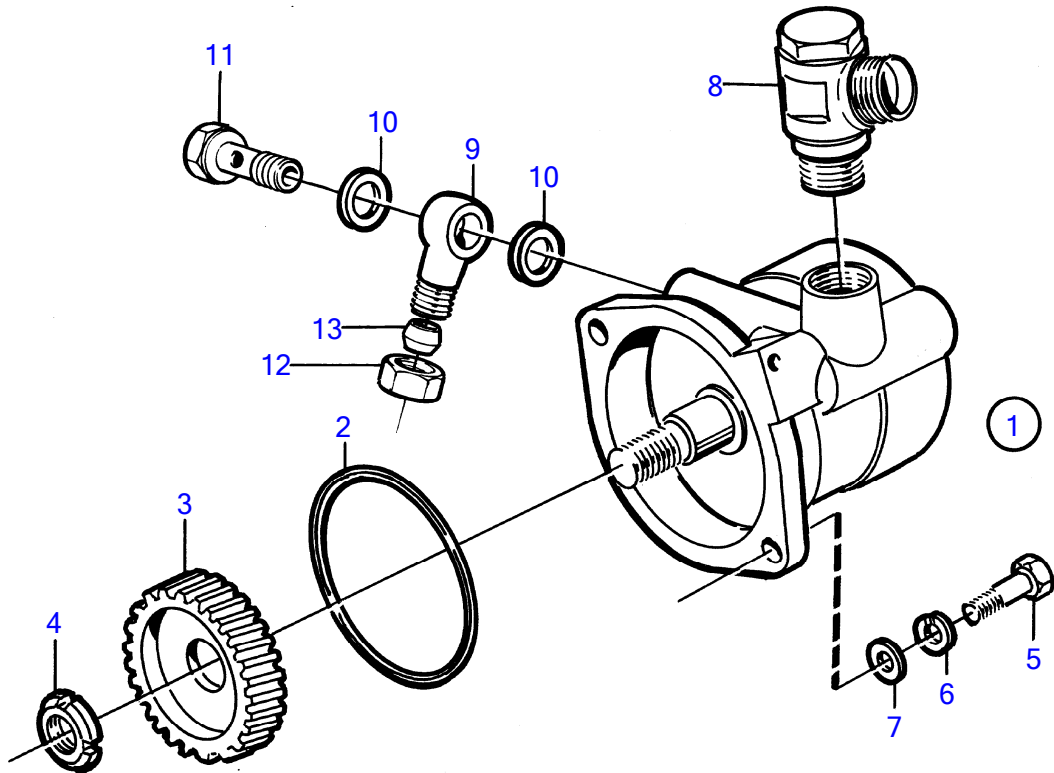
6111



6115



6161



6159

--

DESCRIPTION	SEE SEC.	NOTES
Air Compressor	54146222	
Air Compressor and Installation Components	54146221	TD120C
Camshaft	54146210	TD120C
Crankshaft and Related Parts	54146211	TD120C
Cylinder Block and Related Parts	54146206	TD120C
Cylinder Head	54146208	TD120C
Electrical Oil Bilge Pump and Installation Components	54146217	TD120C
Engine and Installation Components	54146214	TD120C
Engine Suspension	54146219	TD120C
Flexible Engine Suspension	54146220	TD120C
Flywheel Housing	54146207	TD120C
Housing-oil Filter	54146213	
Lubricating System	54146212	TD120C
Oil Pump	54146215	
Oil Sump Pump and Installation Components	54146216	TD120C
Timing Gear Cover and Gears	54146209	TD120C

CLICK HERE TO **DOWNLOAD** THE COMPLETE MANUAL

- Thank you very much for reading the preview of the manual.
- You can download the complete manual from: [www.heydownloads.com](http://www.heydownloads.com) by clicking the link below



- Please note: If there is no response to CLICKING the link, please download this PDF first and then click on it.

CLICK HERE TO **DOWNLOAD** THE COMPLETE MANUAL