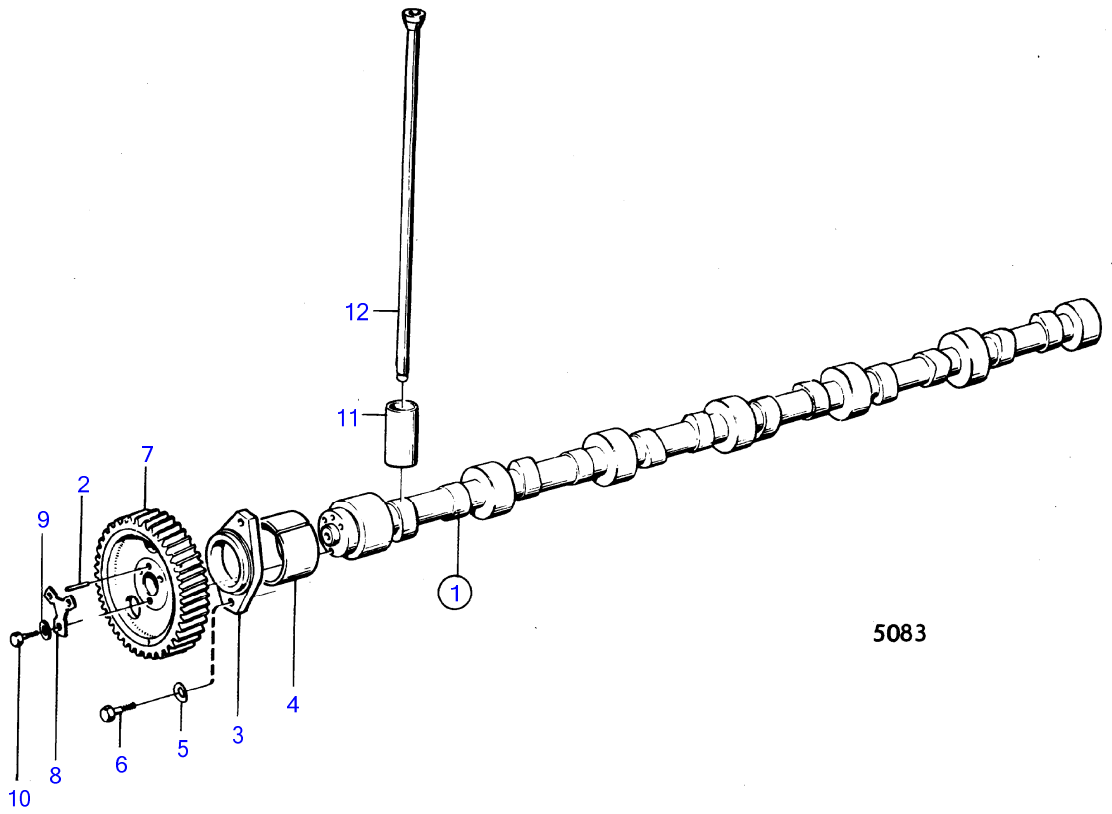


TAMD60A, TAMD60B



5083

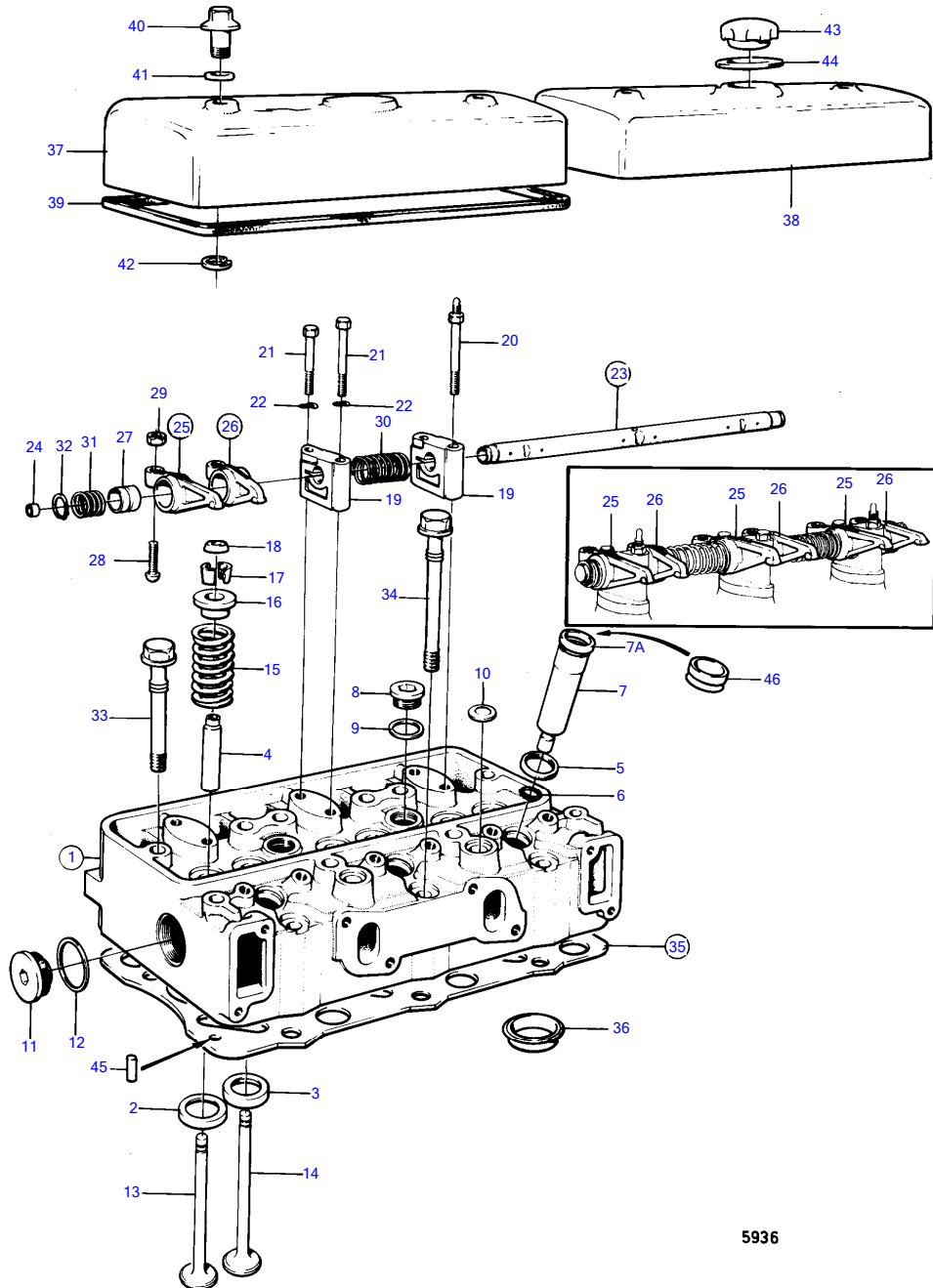
CLICK HERE TO **DOWNLOAD** THE COMPLETE MANUAL

- Thank you very much for reading the preview of the manual.
- You can download the complete manual from: [www.heydownloads.com](http://www.heydownloads.com) by clicking the link below



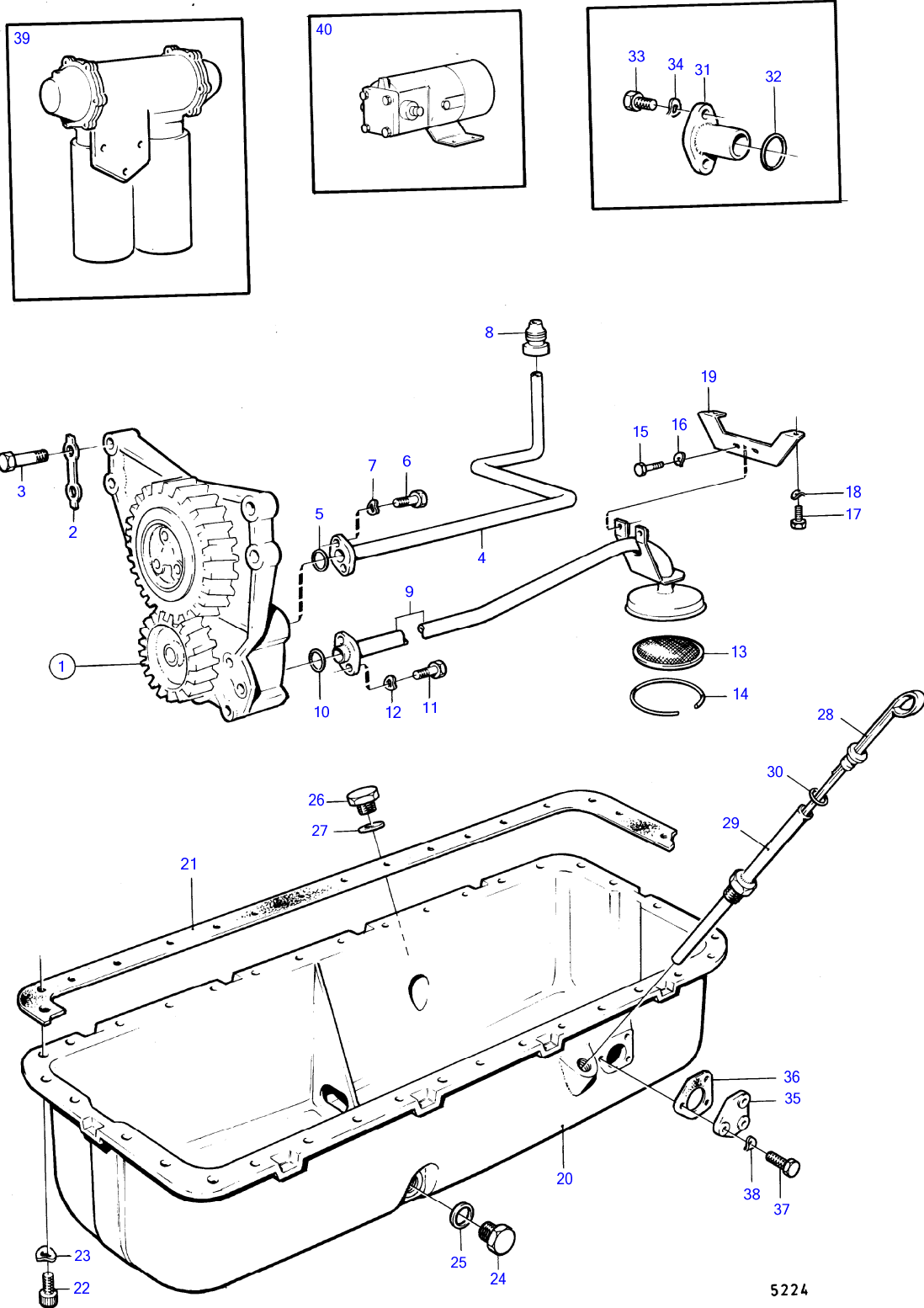
- Please note: If there is no response to CLICKING the link, please download this PDF first and then click on it.

CLICK HERE TO **DOWNLOAD** THE COMPLETE MANUAL



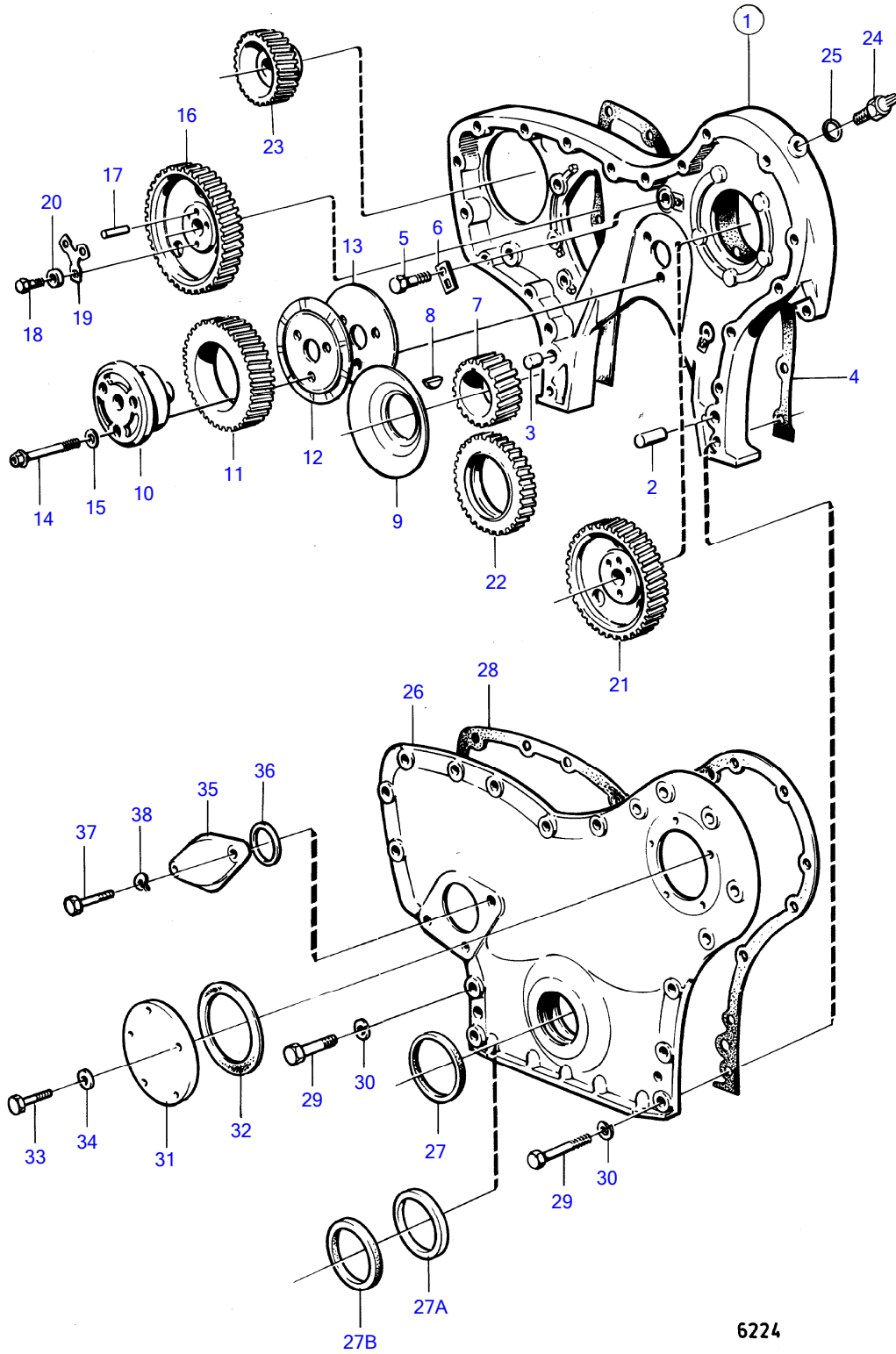
5936

TAMD60B



5224

TAMD60A, TAMD60B



6224

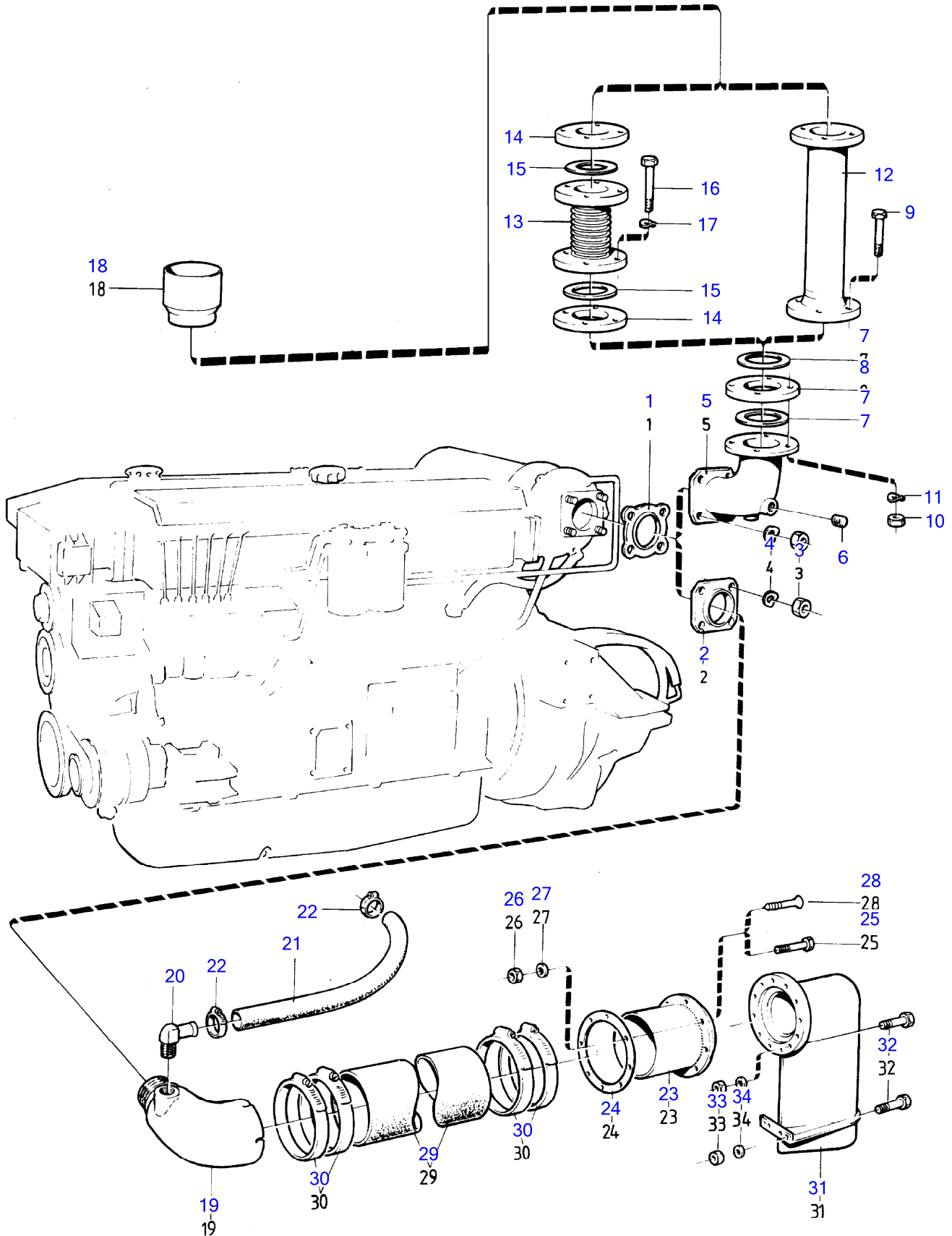


REF	PART NO.	QTY	DESCRIPTION	SEE SEC.	NOTES
42	956092	3	• Cross recessed screw		
43	941906	3	• Spring washer		
44	(244074)	3	• Lock plate		
45	(244071)	1	• Gasket		
46	(244072)	1	• Bearing shield		
47	244073	1	• Sealing ring		
48	956094	4	• Cross recessed screw		
49	941906	4	• Spring washer		(955919)
50	244091	1	• O-ring		
51	35168	1	• Key		
52	941913	1	• Spring washer		
53	955806	1	• Hexagon nut		
54	(244078)	1	• Cover		
55	244077	1	• Gasket		
56	956091	6	• Cross recessed screw		
57	(244079)	6	• Lock washer		
58	(244190)	1	• Lock spring		
59	239896	1	• Gasket		
60	(130673)	3	• Stud		
61	955781	3	• Hexagon nut		
62	941906	3	• Spring washer		
63	(244188)	2	• Cover		
64	(244187)	1	• Cardboard tube		

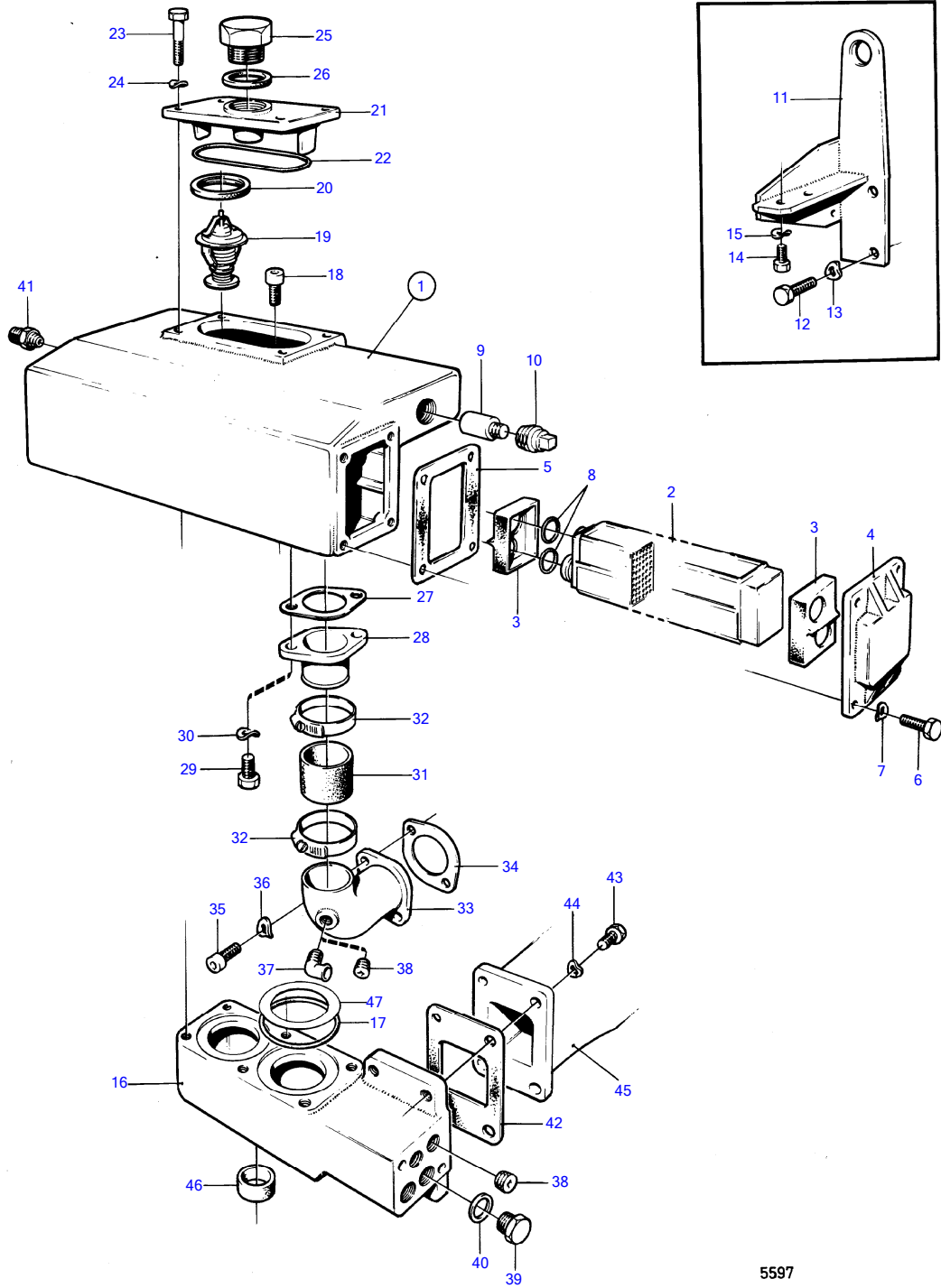
TAMD60B

REF	PART NO.	QTY	DESCRIPTION	SEE SEC.	NOTES
59	845072	2	Clamp		

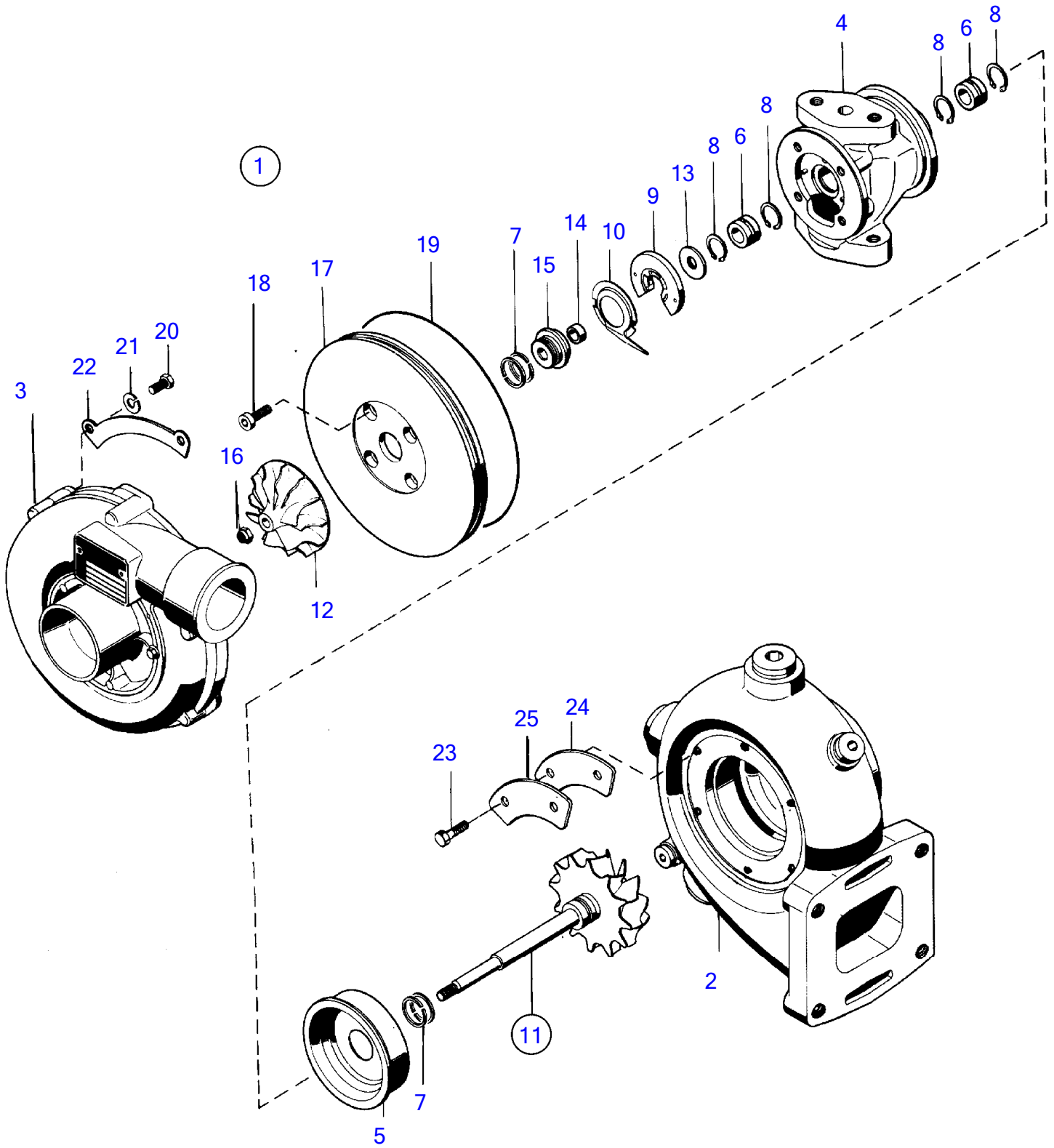
TAMD60A, TAMD60B



TAMD60A

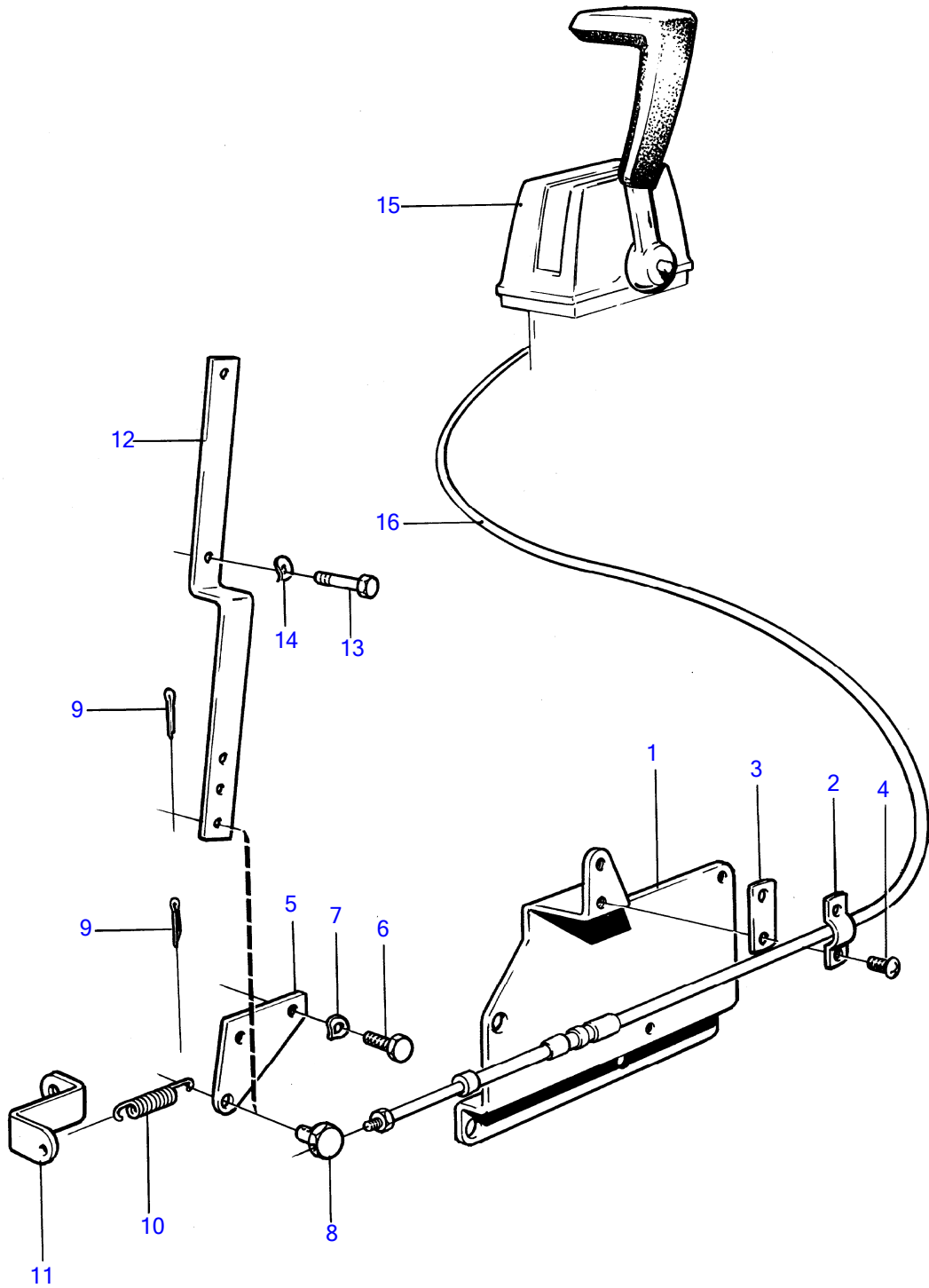


5597

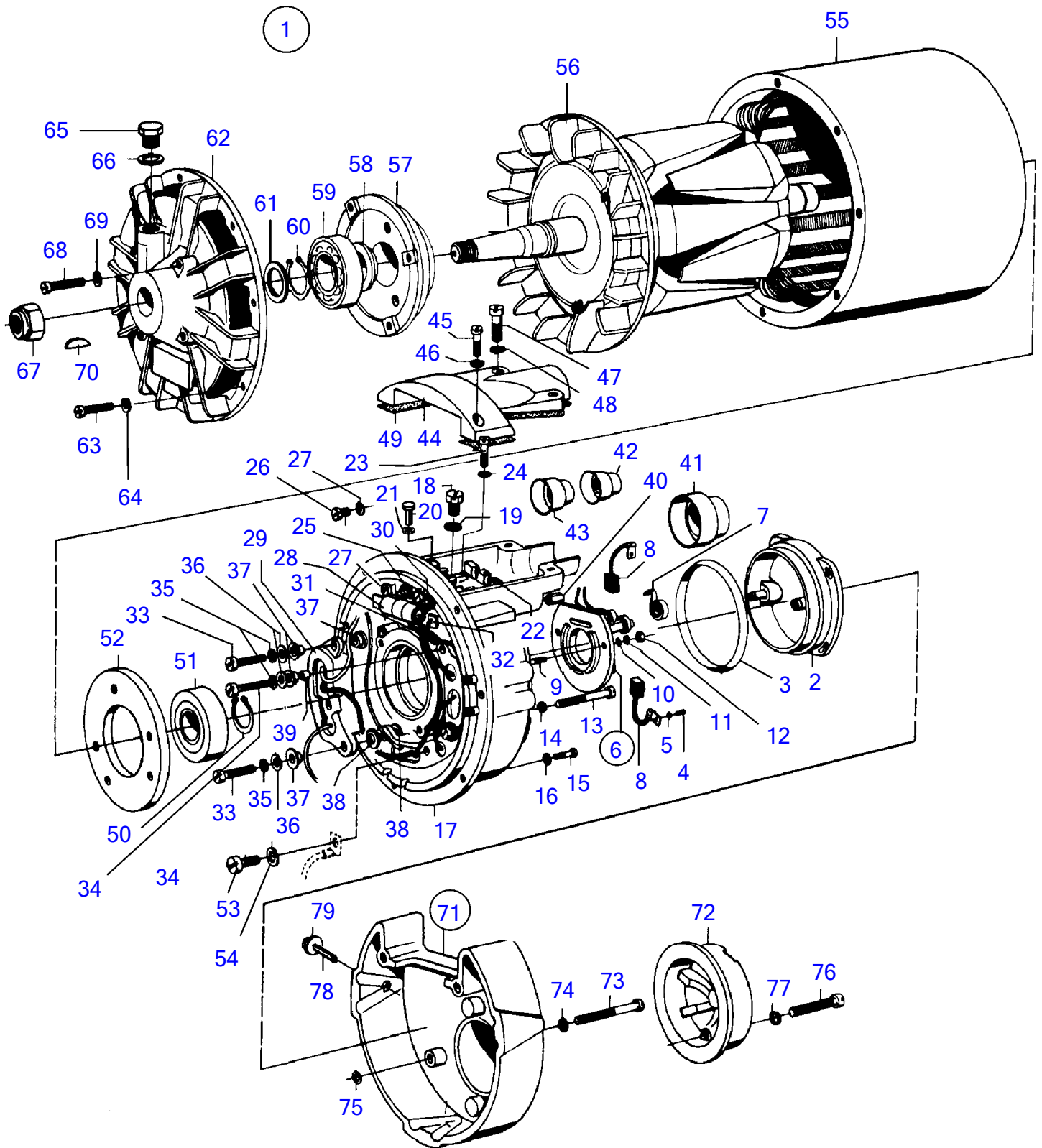


26947

TAMD60B



5238



26951

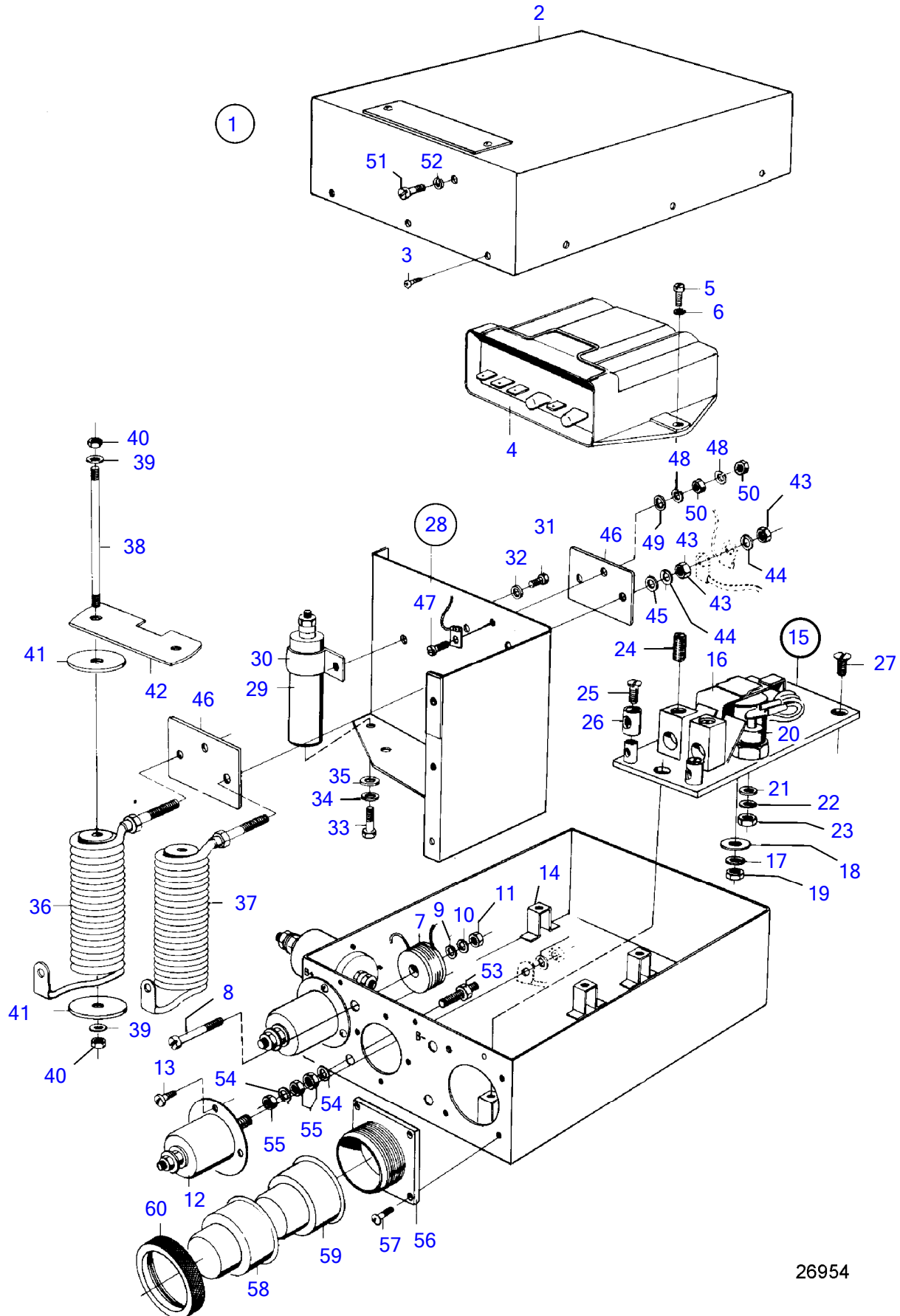
CLICK HERE TO **DOWNLOAD** THE COMPLETE MANUAL

- Thank you very much for reading the preview of the manual.
- You can download the complete manual from: [www.heydownloads.com](http://www.heydownloads.com) by clicking the link below

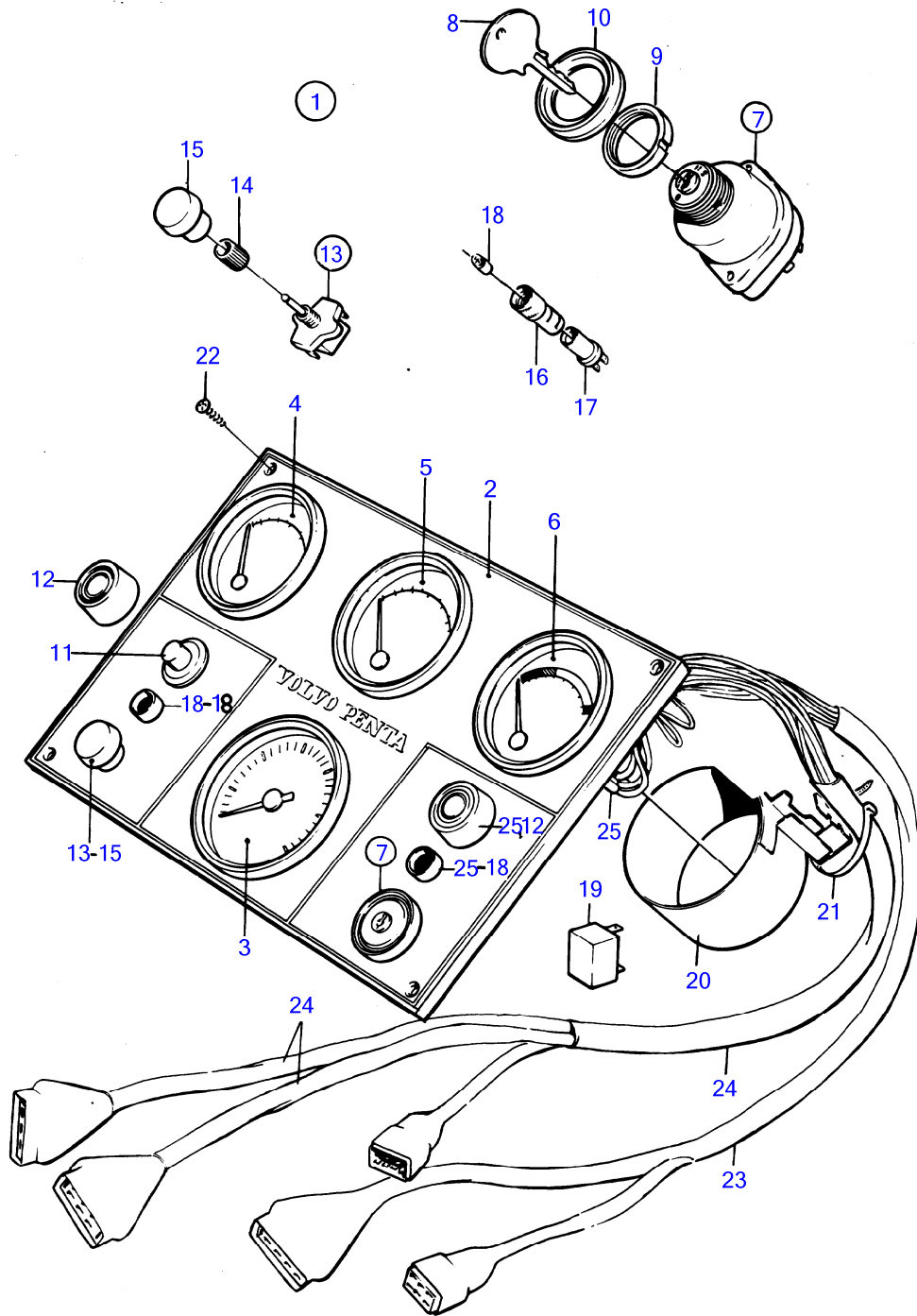


- Please note: If there is no response to CLICKING the link, please download this PDF first and then click on it.

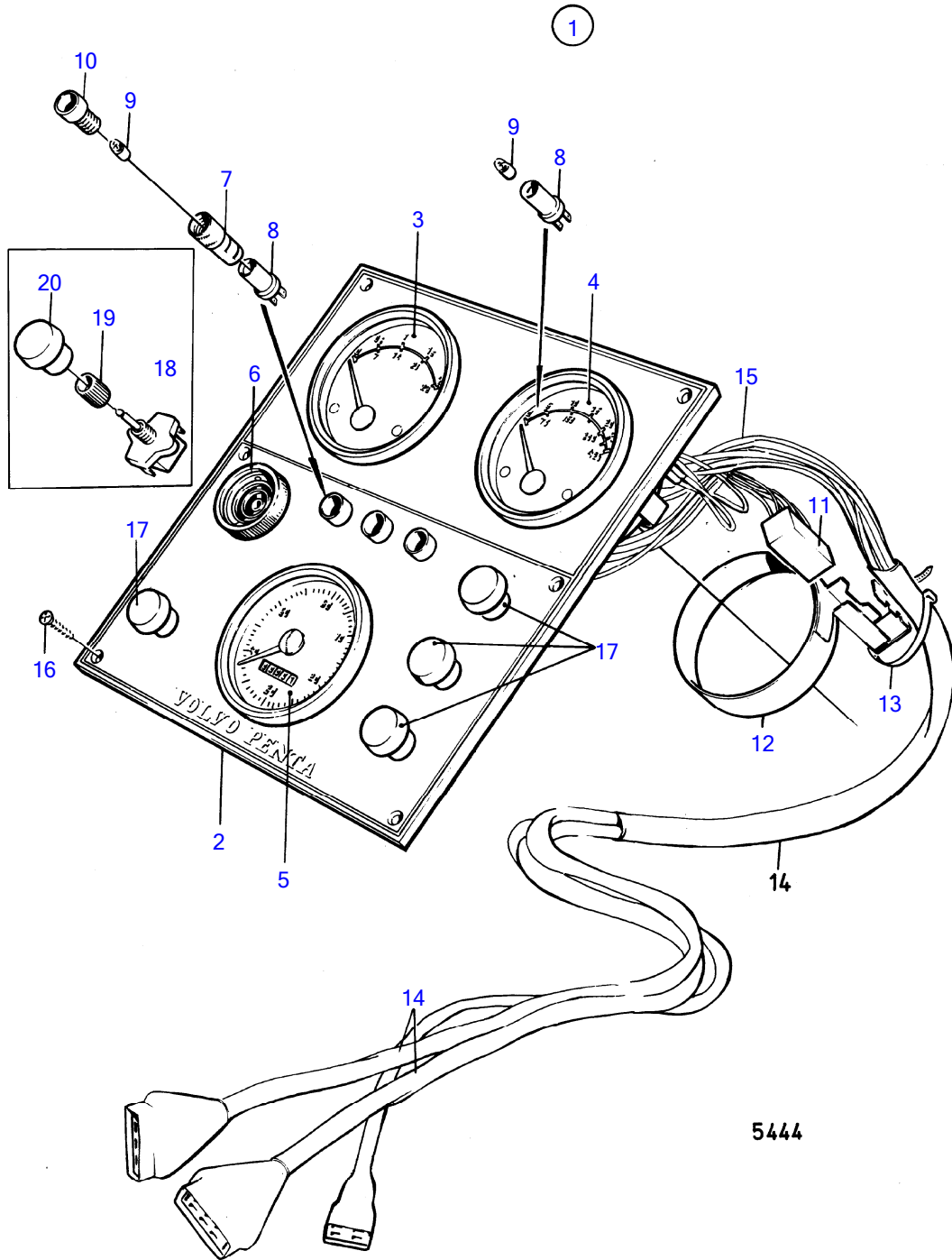
CLICK HERE TO **DOWNLOAD** THE COMPLETE MANUAL

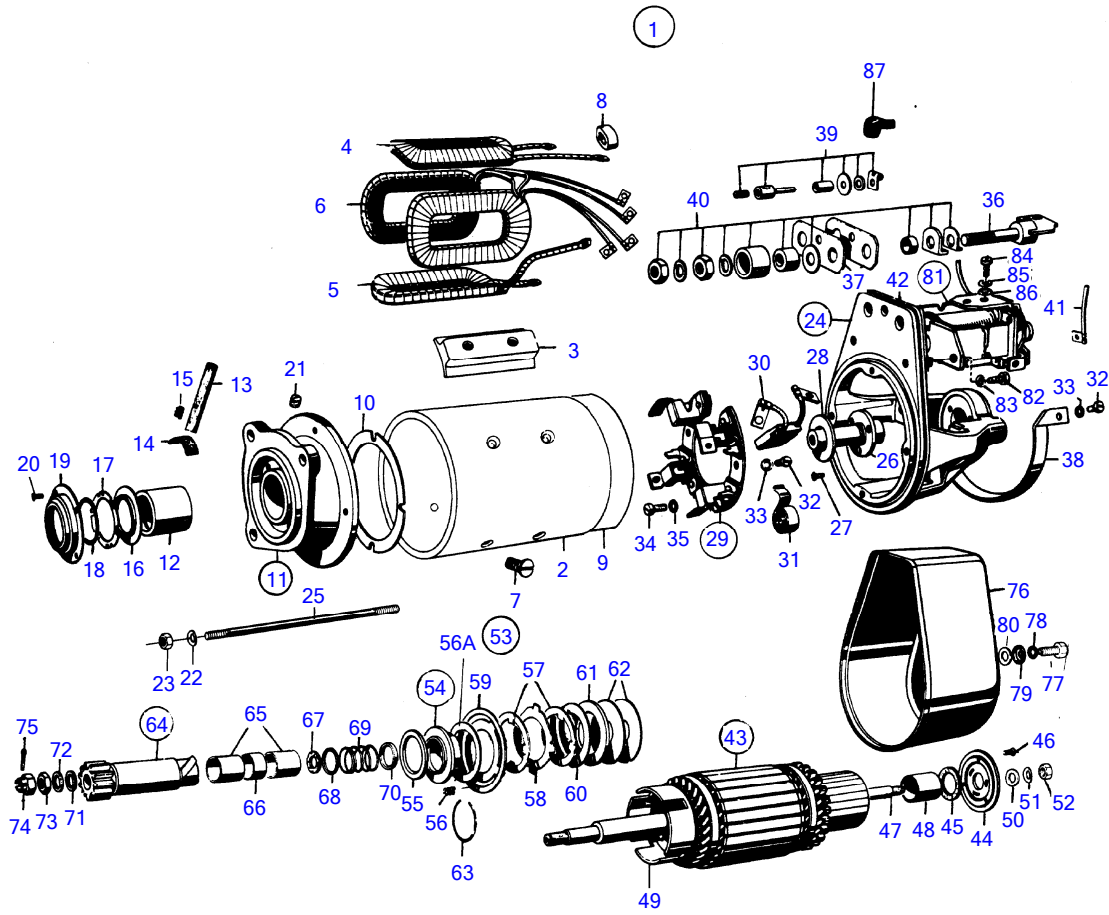


26954



7145

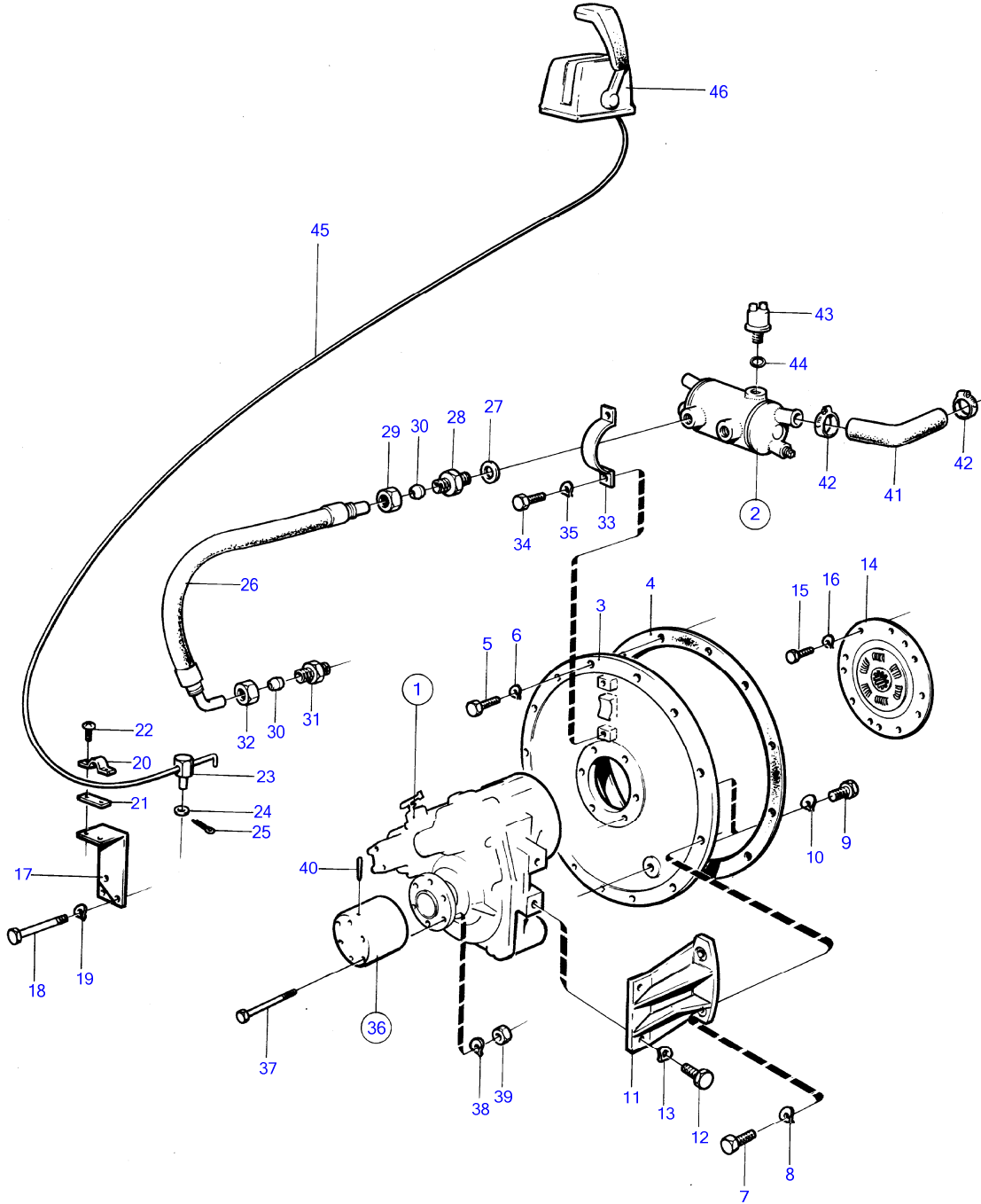




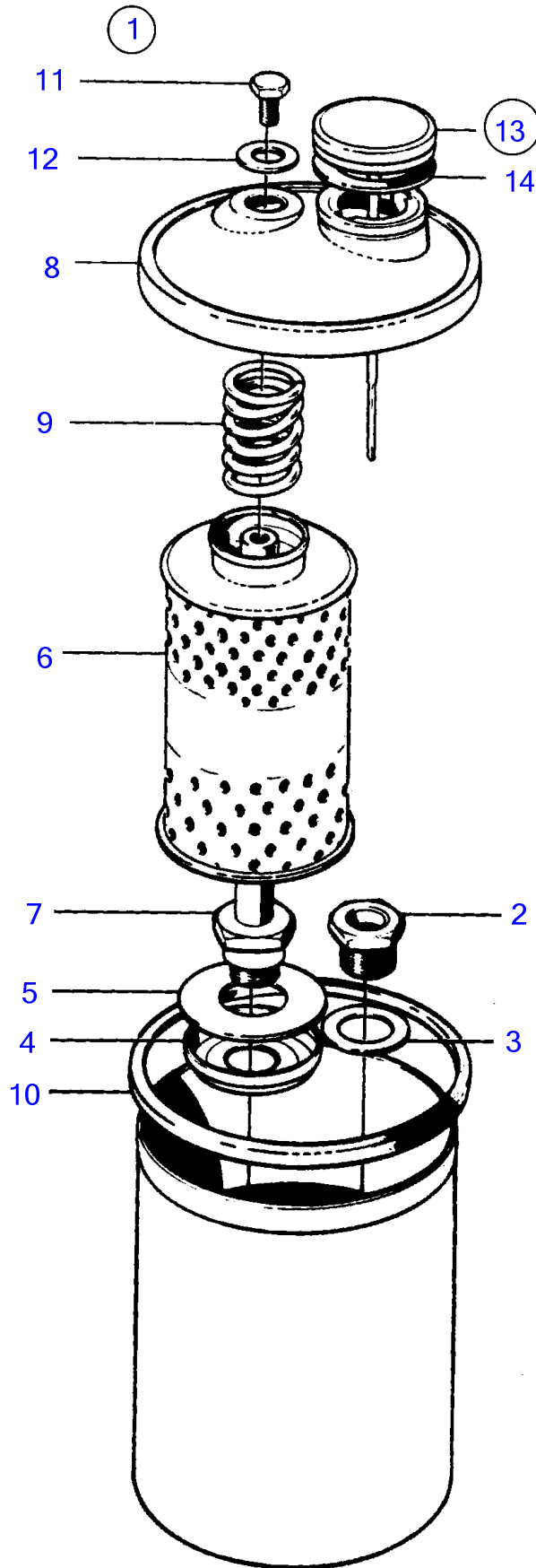
3731

REF	PART NO.	QTY	DESCRIPTION	NOTES
1	843510	1	Starter motor	24V
2		1	• housing	
3		4	• pole terminal	
4	844413	1	• Field winding	
5	(956241)	8	• Cross recessed screw	
6	844414	1	• Rotor	
7	243091	1	• • Needle bearing	
8	(844408)	1	• Bearing shield	
9	240481	1	• • Bearing bushing	
10	240478	4	• • Brush spring	
11	(240479)	1	• • Screw	
12	(240480)	1	• • Electric cable	
13	(243175)	1	• • Insulating plate	(77840)
14	(241149)	1	• • Connector kit	
15	6643672	1	• • Small parts kit	
16	243089	1	• Carbon brush set	
17	(240449)	1	• Bearing shield	
18	(240450)	1	• • Sealing ring	
19	240451	1	• • Spring	
20	240453	1	• • Needle bearing	
21	(240455)	1	• • Bearing bushing	
22	(240456)	1	• Bearing shield	
23	845108	1	• Drive ring	(243777)
24	(243782)	1	• • Washer	
25	(6643674)	1	• • Disc	
26	(244365)	X	• • Adjusting washer	TH=0.35mm
	(244366)	X	• • Adjusting washer	TH=0.40mm
	(244367)	X	• • Adjusting washer	TH=0.45mm
	(244368)	X	• • Adjusting washer	TH=0.50mm
	(244369)	X	• • Adjusting washer	TH=0,55mm
	(244370)	X	• • Adjusting washer	TH=0.60mm
	(244371)	X	• • Adjusting washer	TH=0.65mm
27	(243780)	5	• • Disc	
28		5	• •	
29	(243778)	1	• • Clutch half	
30	(243179)	1	• • Stop ring	
31	(241908)	1	• • Lock ring	
32	(243791)	4	• • Pin	
33	(243790)	4	• • Spring	
34	6643675	1	• Starter pinion	
35	240473	1	• Key	
36	6643676	4	• Screw	
37	941905	4	• Spring washer	
38	240457	1	• Spacer washer	
39	955791	1	• Hexagon nut	
40	(6643682)	1	• Nut	
41	6643680	1	• Rotor shaft	
42	(844410)	1	• • Washer	
43	240470	1	• • Spring	
44	(844411)	1	• • Washer	
45	844412	1	• • Ball	
46	(240471)	1	• • Lock ring	
47	241904	X	• Shim	TH=0.2mm
	(240486)	X	• Shim	TH=0.3mm
	(240487)	X	• Shim	TH=0,5mm
48	6643677	1	• Bolt	
49	(6643678)	3	• Bolt	
50	955892	4	• Washer	(241099)
51	955781	4	• Hexagon nut	
52	241897	1	• Actuator solenoid	
53	955294	2	• Hexagon screw	
54	941907	2	• Spring washer	
55	(244218)	6	• Screw	

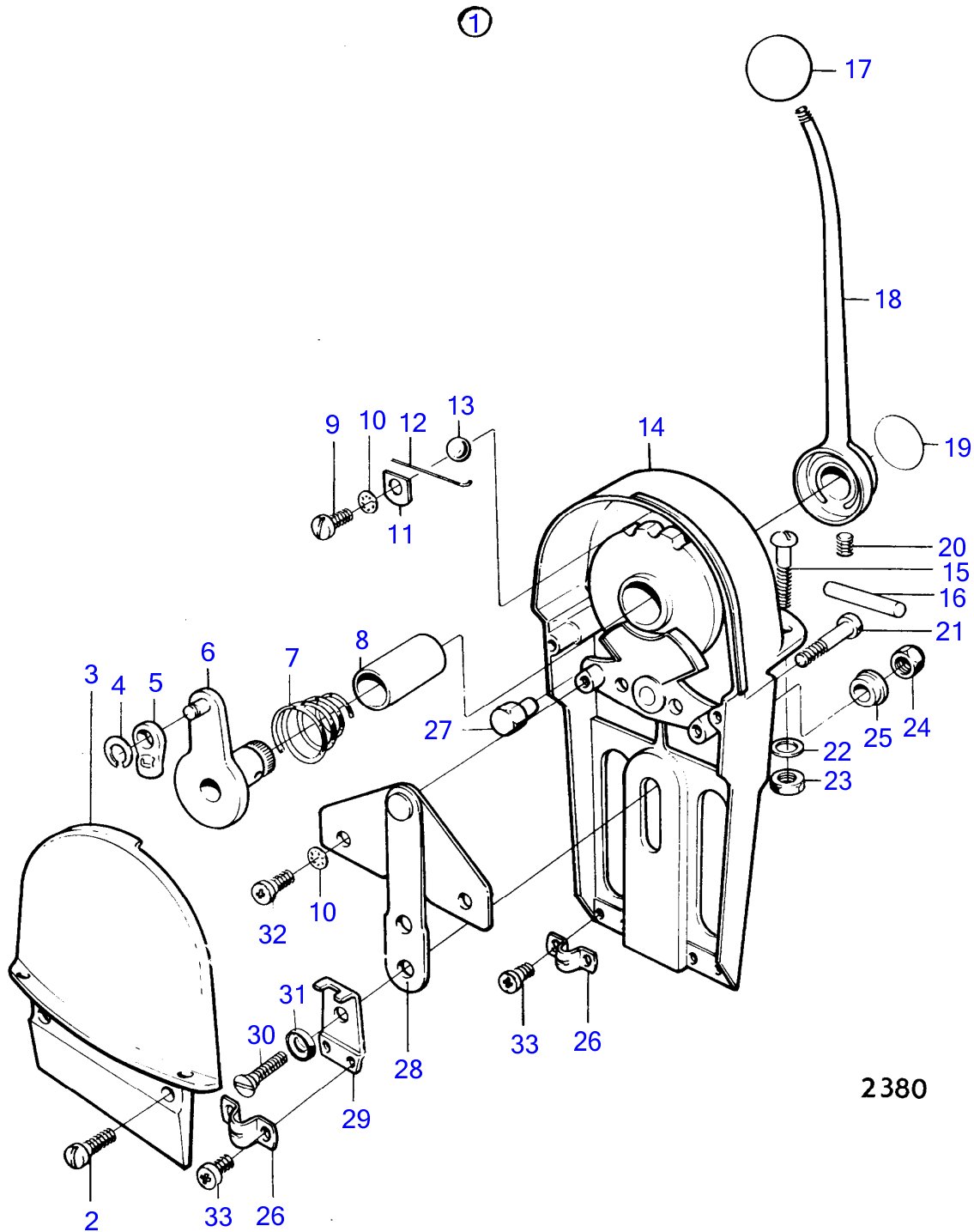
TAMD60A, TAMD60B

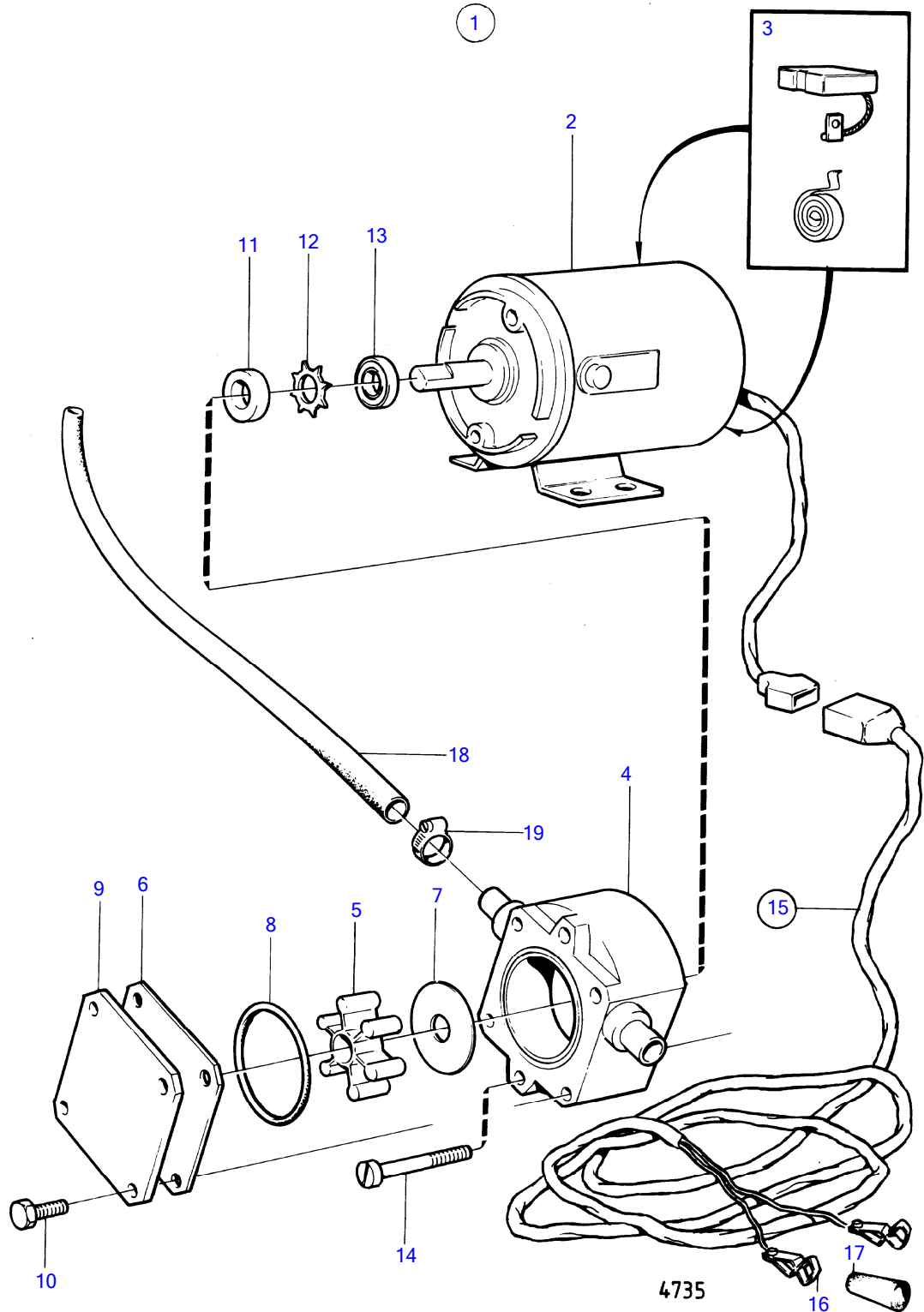


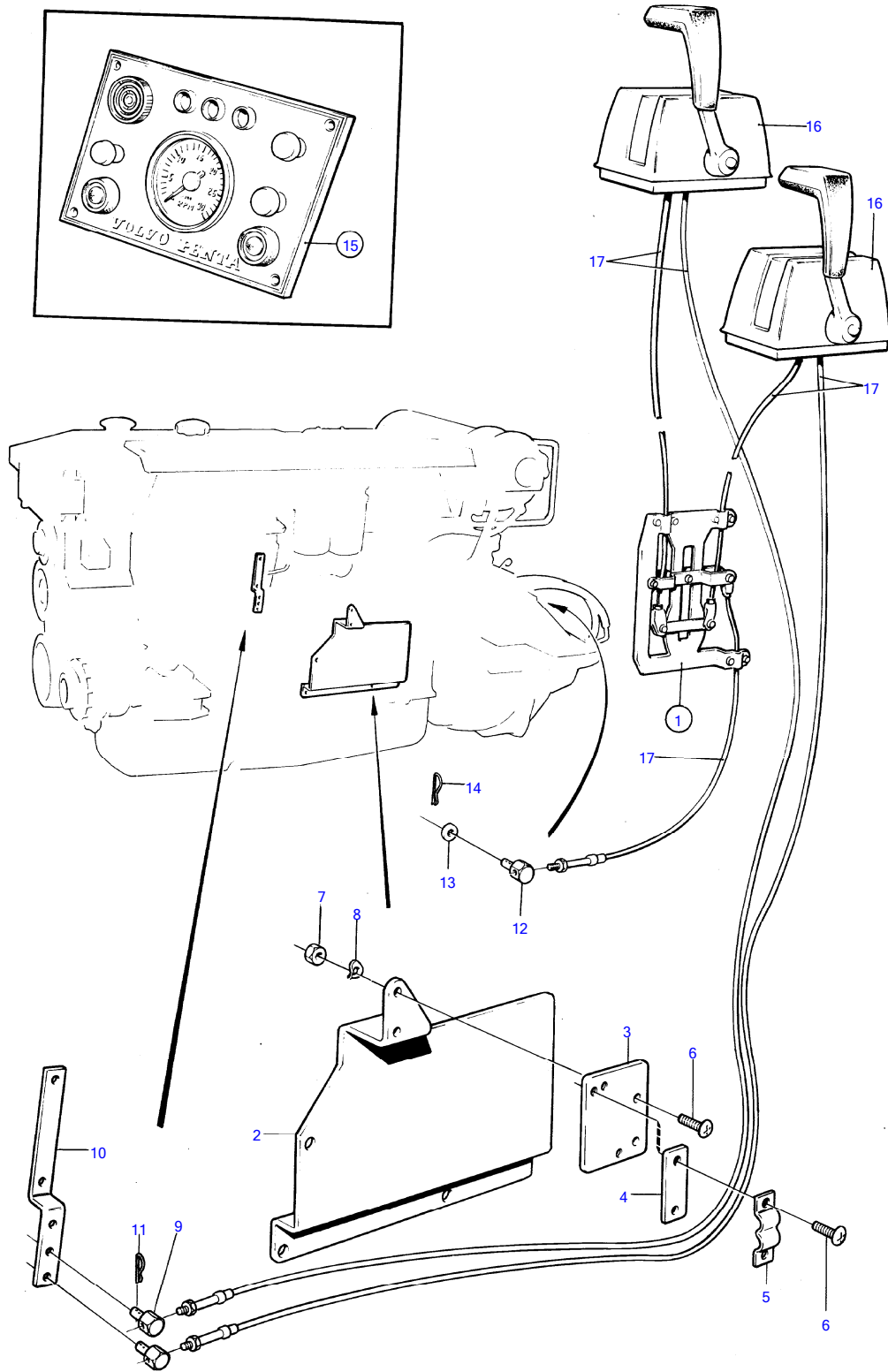
5247

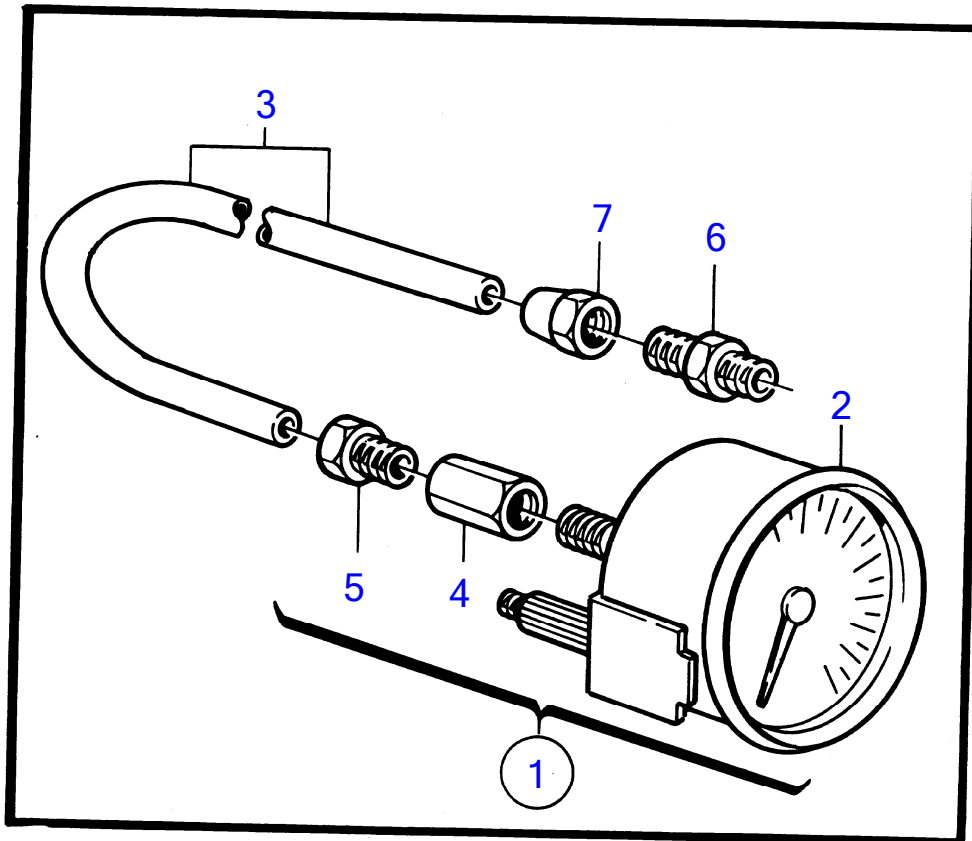


26973

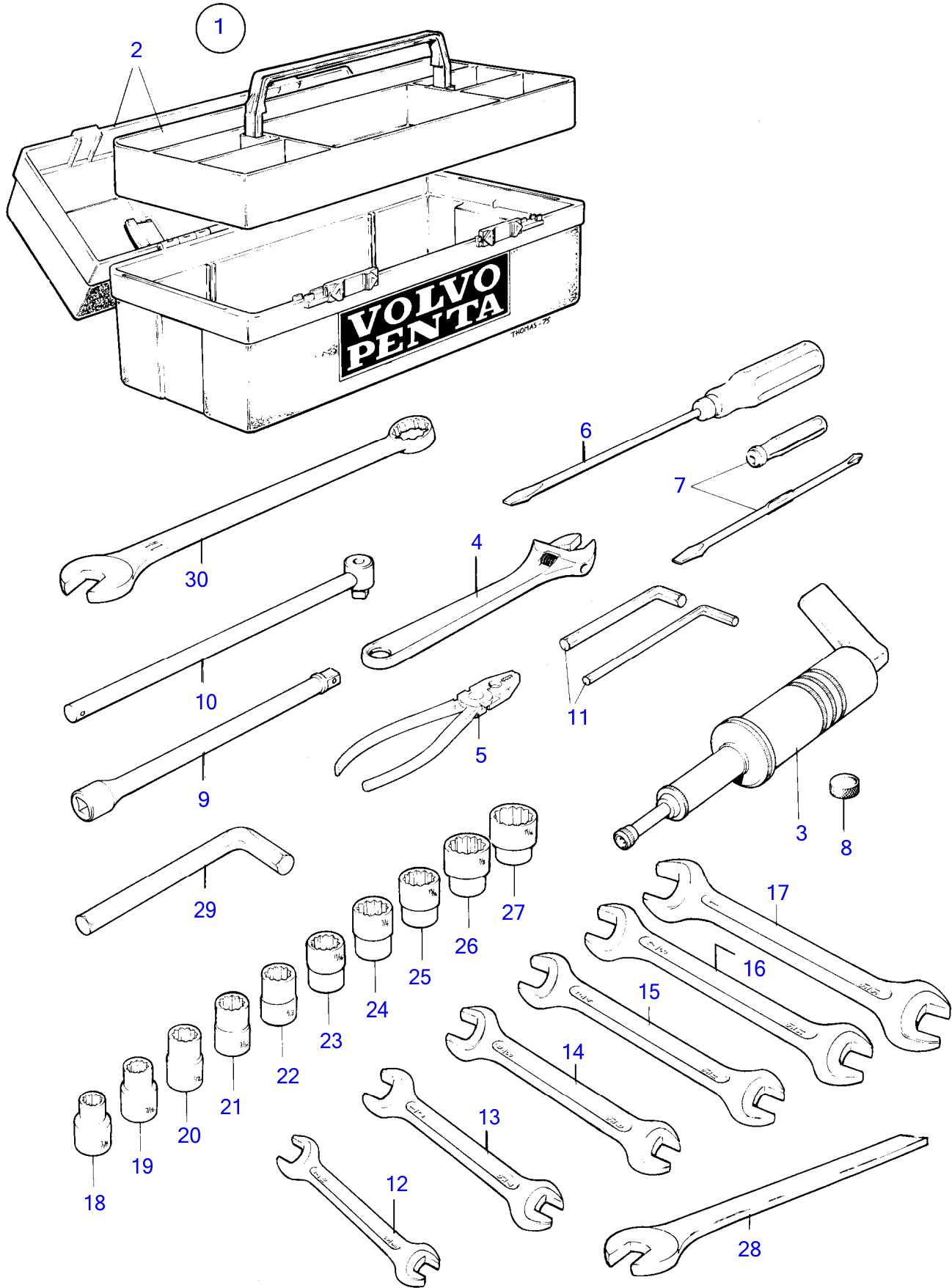








4409



TAMD60B

REF	PART NO.	QTY	DESCRIPTION	NOTES
1	275066	6	Cylinder liner kit	
		6	• cylinder liner	
		6	• piston	
	275320	6	• Piston ring kit	
	275736	6	• Sealing kit	(275738)
	914523	12	• Snap ring	
		6	• oil ring	
		12	• compression ring	
		6	• compression ring	
		6	• seal ring	
		12	• seal ring	
	270081	6	Big-end bearing kit	Std D
	270082	6	Big-end bearing kit	0,25mm u.s
	270083	6	Big-end bearing kit	0,50mm u.s
	270084	6	Big-end bearing kit	0,75mm u.s
	(270085)	6	Big-end bearing kit	1,00mm u.s
	271230	7	Main bearing kit	Std D
	271231	7	Main bearing kit	0,25mm u.s (270426)
	271232	7	Main bearing kit	0,50mm u.s (270427)
	(271233)	7	Main bearing kit	0,75mm u.s (270428)
	271234	7	Main bearing kit	1,00mm u.s (270429)
	271235	7	Main bearing kit	1,25mm u.s (270430)
	276751	1	Thrust washer kit	Std D
	276752	1	Thrust washer kit	0,1mm o.s
	276753	1	Thrust washer kit	0,2mm o.s
	(276780)	1	Thrust washer kit	0,3mm o.s
	275740	2	Cylinder head gasket, cyl.head	(275566) MO-47363/XXXX
		2	• gasket	
	422414	12	• Sealing ring	D=32mm
	466421	12	• Sealing ring, seal ring	Included in gasket kit 275566., D=16mm MO-47363/XXXX MO47364/XXXX-
	422413	2	• Sealing ring	D=11mm
	275570	1	Repair kit, spare parts kit oil pump	
	424133	1	• Washer	
		1	• gear	
		1	• shaft with gear	
	910115	1	• Woodruff key	
	470234	2	• Bushing	(940359)
	875604	1	Gasket kit, induction and exhaust manifold	
	842239	2	• Gasket	
	420071	2	• Gasket	
	466271	1	• Gasket	
	820604	1	• Gasket	
			thermostat housing	
	875605	1	Gasket kit, additional gasket kit recondition engine	
	907132	3	• Gasket	
	18671	4	• Gasket	
	18818	2	• Gasket	
	11998	1	• Gasket	
	421121	1	• Gasket	
	424342	4	• Sealing ring	
	824381	1	• Gasket	
	955983	1	• O-ring	
	940096	1	• Gasket	
	469328	1	• Gasket	(468462)
	469205	6	• Sealing ring	
	420166	4	• Gasket	
	421057	1	• Gasket	
	421131	1	• Felt ring	
	465056	1	• Gasket	
	423123	1	• Sealing ring	
	925059	3	• O-ring	

CLICK HERE TO **DOWNLOAD** THE COMPLETE MANUAL

- Thank you very much for reading the preview of the manual.
- You can download the complete manual from: [www.heydownloads.com](http://www.heydownloads.com) by clicking the link below



- Please note: If there is no response to CLICKING the link, please download this PDF first and then click on it.

CLICK HERE TO **DOWNLOAD** THE COMPLETE MANUAL