

11862

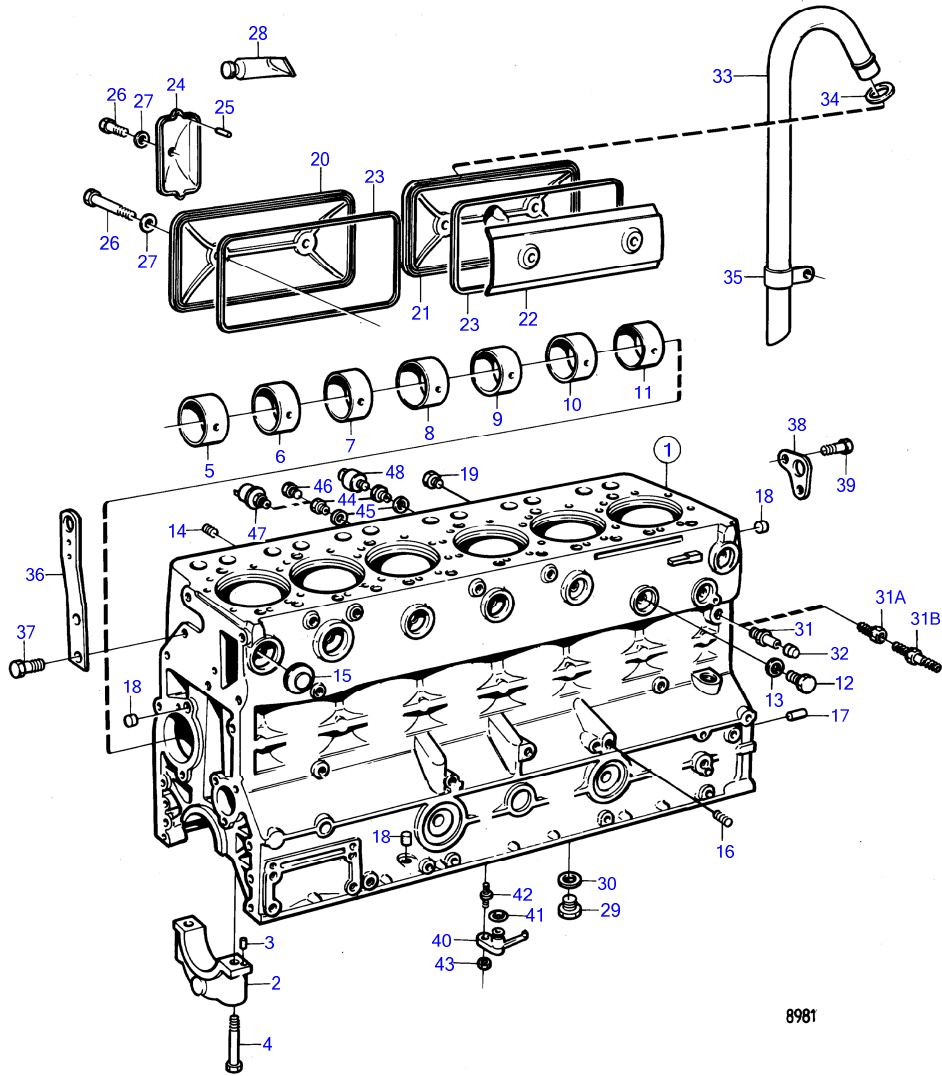
CLICK HERE TO **DOWNLOAD** THE COMPLETE MANUAL

- Thank you very much for reading the preview of the manual.
- You can download the complete manual from: [www.heydownloads.com](http://www.heydownloads.com) by clicking the link below

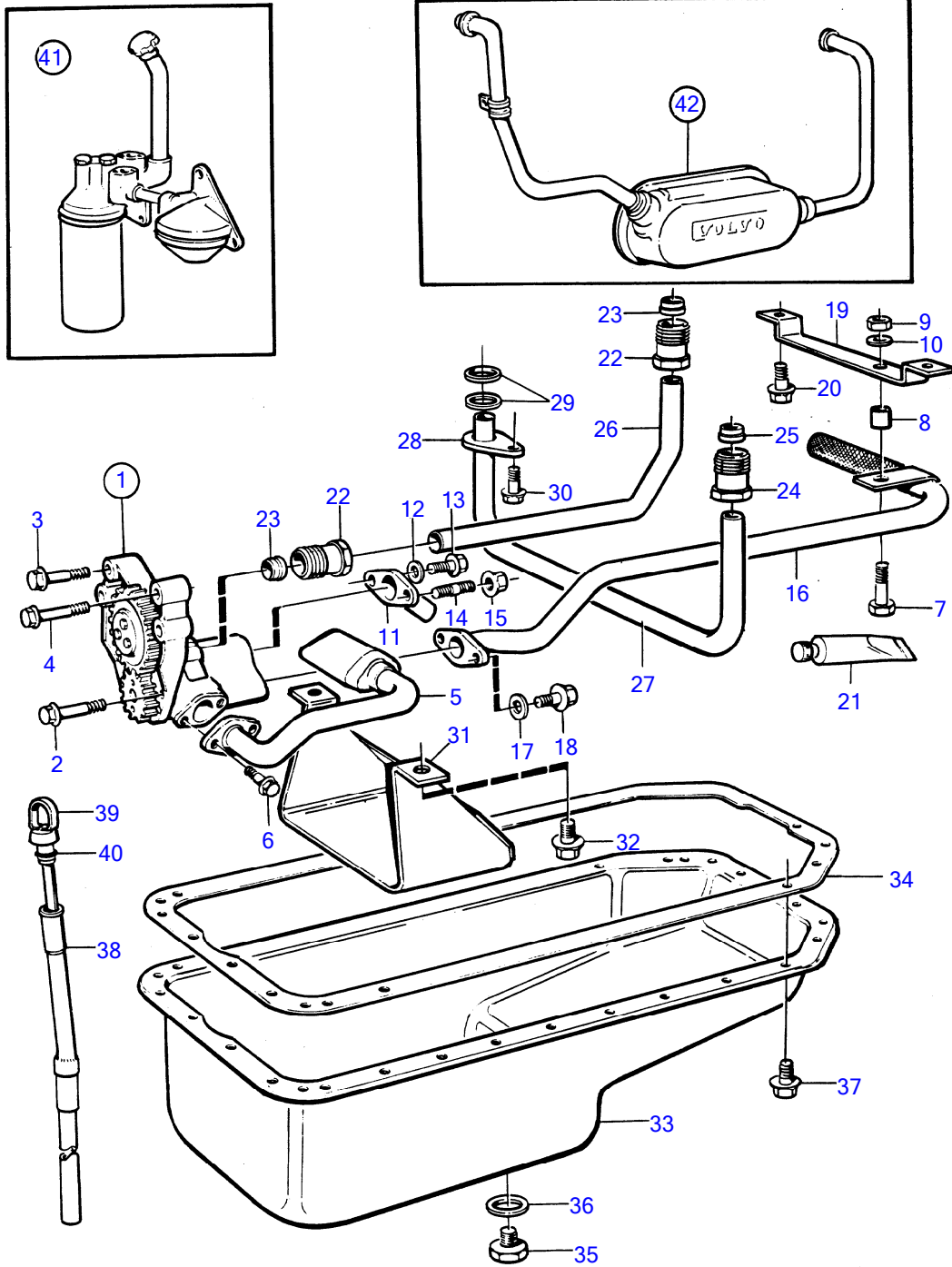


- Please note: If there is no response to CLICKING the link, please download this PDF first and then click on it.

CLICK HERE TO **DOWNLOAD** THE COMPLETE MANUAL



TD71A, TID71A



15698

TD710G, TWD710G

| REF | PART NO. | QTY | DESCRIPTION           | NOTES  |
|-----|----------|-----|-----------------------|--|
| 1   | 3803311  | 2   | Cylinder head         | E.U=3803100, (471409)  |
| 2   | 421011   | 6   | • Valve seat, intake  | Std  |
|     | 421316   | 6   | • Valve seat, intake  | O.S=0,20mm   |
| 3   | 466266   | 6   | • Valve seat, exhaust | Std  |
|     | (466307) | 6   | • Valve seat, exhaust | O.S=0,20mm   |
| 4   | 466386   | 12  | • Valve guide         |  |
| 5   | 466405   | 6   | • Sealing ring        |  |
| 6   | 477928   | 6   | • Sleeve              | Repl by 276130   |
|     | 276130   | 6   | • Copper sleeve kit   | The copper sleeve kit includes sleeve, steel ring, o-ring and rubber ring. |
| 7   | 477026   | 8   | • Expansion plug      |  |
| 7A  | 477026   | 6   | • Expansion plug      |  |
| 8   | 947626   | 4   | • Gasket              |  |
| 9   | 477024   | 8   | • Expansion plug      |  |
| 10  | 466420   | 6   | • Ring                |  |
| 11  | 466922   | 6   | • O-ring              |  |
| 12  | 465420   | 10  | • Jet                 |  |
| 13  | 466379   | 6   | • Inlet valve         |  |
| 14  | 842080   | 6   | • Exhaust valve       |  |
| 15  | 466384   | 12  | Valve spring          |  |
| 16  | 466383   | 12  | Valve spring          |  |
| 17  | 466382   | 12  | Valve spring washer   |  |
| 18  | 468305   | 24  | Valve cotter          |  |
| 19  | 469456   | 12  | Protecting ring       |  |
| 20  | 478074   | 12  | Valve cap             |  |
| 21  | 477384   | 6   | Bearing bracket       |  |
| 22  | 471512   | 4   | Stud                  |  |
| 23  | 471513   | 8   | Screw                 |  |
| 24  | 471518   | 2   | Rocker arm shaft      |  |
| 25  | 946778   | 2   | • Cap plug            |  |
| 26  | 422063   | 12  | Rocker arm            |  |
| 27  | 422066   | 12  | • Bushing             |  |
| 28  | 422993   | 12  | • Ball stud           |  |
| 29  | 940175   | 12  | • Hexagon nut         |  |
| 30  | 421173   | 4   | Spring                |  |
| 31  | 914459   | 4   | Snap ring             |  |
| 32  | 941488   | 4   | Washer                |  |
| 33  | 276816   | 2   | Cylinder head gasket  | (275779)   |
| 34  |          | 2   | • Gasket              |  |
| 35  | 465784   | 12  | • Sealing ring        | D=26mm   |
|     | 466421   | 16  | • Sealing ring        | D=19mm   |
|     | 422413   | 2   | • Sealing ring        | D=14mm   |
| 36  | 471481   | 40  | Flange screw          |  |
| 37  | 471426   | 2   | Valve cover           |  |
| 38  | 465961   | 4   | Cap nut               |  |
| 39  | 471856   | 4   | Sealing ring          |  |
| 40  | 471520   | 2   | Gasket                |  |

TAD740GE, TAD741GE, TWD740GE

| REF | PART NO. | QTY | DESCRIPTION            | NOTES  |
|-----|----------|-----|------------------------|--|
| 1   | 3803525  | 2   | Cylinder head          | (477833)   |
| 2   | 477657   | 6   | • Valve seat, intake   | Std  |
|     | 477658   | 6   | • Valve seat, intake   | O.S=0,20mm   |
| 3   | 477659   | 6   | • Valve seat, exhaust  | Std  |
|     | 477667   | 6   | • Valve seat, exhaust  | O.S=0,20mm   |
| 4   | 477877   | 12  | • Valve guide          |  |
| 5   | 276130   | 6   | • Copper sleeve kit    |  |
| 5A  |          |     | • • Spray sleeve       |  |
| 6   | 466922   | 6   | • • O-ring             |  |
| 7   | 466405   | 6   | • • Sealing ring       |  |
| 8   | 466420   | 6   | • • Ring               |  |
| 9   | 477024   | 8   | • Expansion plug       |  |
| 10  | 947626   | 4   | • Gasket               |  |
| 11  | 477026   | 8   | • Expansion plug       |  |
| 11A | 477026   | 6   | • Expansion plug       |  |
| 12  | 465420   | 10  | • Jet                  |  |
| 13  | 3978768  | 6   | • Inlet valve          | Included in exchange unit cylinder head., (477447) |
| 14  | 3978766  | 6   | • Exhaust valve        | Included in exchange unit cylinder head., (477443) |
| 15  | 466384   | 12  | Valve spring           |  |
| 16  | 466383   | 12  | Valve spring           |  |
| 17  | 477451   | 12  | Valve spring washer    |  |
| 18  | 1677875  | 24  | Valve cotter           |  |
| 19  | 859171   | 12  | Valve stem seal        |  |
| 20  | 477449   | 12  | Valve cap              |  |
| 21  | 477384   | 6   | Bearing bracket        |  |
| 22  | 477976   | 4   | Screw                  |  |
| 23  | 471513   | 8   | Screw                  |  |
| 24  | 471518   | 2   | Rocker arm shaft       |  |
| 25  | 946778   | 2   | • Cap plug             |  |
| 26  | 422063   | 12  | Rocker arm             |  |
| 27  | 422066   | 12  | • Bushing              |  |
| 28  | 422993   | 12  | • Ball stud            |  |
| 29  | 940175   | 12  | • Hexagon nut          |  |
| 30  | 421173   | 4   | Spring                 |  |
| 31  | 914459   | 4   | Snap ring              |  |
| 32  | 941488   | 4   | Washer                 |  |
| 33  | 276816   | 2   | Cylinder head gasket   |  |
| 34  |          | 2   | • Gasket               |  |
| 35  | 465784   | 12  | • Sealing ring         |  |
|     | 466421   | 16  | • Sealing ring         |  |
|     | 422413   | 2   | • Sealing ring         |  |
| 36  | 471481   | 40  | Flange screw           |  |
| 37  | 471426   | 2   | Valve cover            |  |
| 38  | 8148488  | 1   | Cap nut                | When Medium Duty aircleaner is mounted, quantity=2 |
| 39  | 8148489  | 3   | Anchorage              | When Medium Duty aircleaner is mounted, quantity=2 |
| 40  | 8192526  | 4   | Bushing                |  |
| 41  | 471520   | 2   | Gasket                 |  |
|     | 477968   | 2   | Sealing strip          | For 471426   |
| 42  | 477605   | 1   | Valve cover            | Alt  |
| 43  | 866979   | 1   | Oil filler cap         | Alt  |
| 44  | 955126   | 1   | • Cross recessed screw | Alt  |
| 45  | 1275379  | 1   | Gasket                 | Alt  |

I-D7-A-211-54162835

47176

Upd:9/5/2022

TAD730G, TAD730P, TAD730V, TAD740GE, TAD741GE, TD710G, TD71A, TD71FSQ, TD730ME, TD730VE, TD73ES, TID71A, TWD710G, TWD710P, TWD71

**VOLVO**  
**PENTA**

## TAD730G

| REF | PART NO. | QTY | DESCRIPTION         | NOTES  |
|-----|----------|-----|---------------------|--|
| 1   | 477930   | 1   | Cylinder block      | Repl by 1 ea cylinder block 477990, 1 ea oil pressure pipe (cylinder block-fuel injection pump) 477986, 1 ea hollow screw 969299 and 2 ea gasket 11994 |
|     | 477990   | 1   | Cylinder block      |  |
|     | 3801054  | 1   | Short block         |  |
| 2   |          | 7   | • Main bearing cap  |  |
| 3   | 422426   | 1   | • Pin               |  |
| 4   | 465899   | 14  | • Flange screw      |  |
| 5   | 422076   | 1   | • Bushing           |  |
| 6   | 422077   | 1   | • Bushing           |  |
| 7   | 422078   | 1   | • Bushing           |  |
| 8   | 422079   | 1   | • Bushing           |  |
| 9   | 422080   | 1   | • Bushing           |  |
| 10  | 422081   | 1   | • Bushing           |  |
| 11  | 422082   | 1   | • Bushing           |  |
| 12  | 467367   | 1   | • Plug              |  |
| 13  | 469328   | 1   | • Gasket            |  |
| 14  | 422369   | 2   | • Plug              |  |
| 15  | 968955   | 6   | • Expansion plug    |  |
| 16  | 968145   | 1   | • Plug              |  |
| 17  | 191171   | 2   | • Pin               |  |
| 18  | 955082   | 6   | • Cap plug          |  |
| 19  | 479976   | 1   | Plug                |  |
| 20  | 420120   | 1   | Inspection cover    |  |
| 21  | 420121   | 1   | Inspection cover    |  |
| 22  | 3978045  | 1   | Splash plate        | (471858)   |
| 23  | 20591544 | 2   | Gasket              |  |
| 24  | 471854   | 1   | Cover               |  |
| 25  | 951973   | 1   | Spring pin          | (951974)   |
| 26  | 471855   | 5   | Shoulder screw      |  |
| 27  | 471856   | 5   | Sealing ring        |  |
| 28  | 1161231  | X   | Sealant             |  |
| 29  | 864531   | 1   | Tube                |  |
| 30  | 980786   | 1   | Ferrule             |  |
| 30A | 864533   | 1   | Reduction valve     |  |
| 31  | 479954   | 1   | Nipple              |  |
| 32  | 949918   | 1   | Shut-off cock       |  |
| 33  | 471857   | 1   | Breather pipe       |  |
| 34  | 421158   | 1   | Sealing ring        |  |
| 35  | 968124   | 1   | Clamp               |  |
| 36  |          | 1   | Lift iron           |  |
| 37  | 965191   | 1   | Flange screw        | L=30mm   |
|     | 965194   | 1   | Flange screw        | L=60mm   |
| 38  |          | 1   | Lift iron           |  |
| 39  |          | 2   | Screw               |  |
| 40  | 420628   | 6   | Piston cooling jet  |  |
| 41  | 466874   | 6   | Sealing ring        |  |
| 42  | 471596   | 6   | Stud                |  |
| 43  | 948570   | 6   | Lock nut            |  |
| 44  | 479979   | 4   | Plug                |  |
| 46  |          | 1   | Oil pressure sensor | See group 30   |
| 47  |          | 1   | Oil pressure sensor | See group 30   |

## TAD730V

| REF | PART NO.  | QTY | DESCRIPTION         | NOTES        |
|-----|-----------|-----|---------------------|--------------|
| 1   | (8192730) | 1   | Cylinder block      |              |
| 2   |           | 7   | • Main bearing cap  |              |
| 3   | 422426    | 1   | • Pin               |              |
| 4   | 8192738   | 14  | • Flange screw      |              |
| 5   | 422076    | 1   | • Bushing           |              |
| 6   | 8192676   | 1   | • Bushing           |              |
| 7   | 8192677   | 1   | • Bushing           |              |
| 8   | 8192678   | 1   | • Bushing           |              |
| 9   | 422077    | 1   | • Bushing           |              |
| 10  | 8192679   | 1   | • Bushing           |              |
| 11  | 422082    | 1   | • Bushing           |              |
| 14  | 422369    | 2   | • Plug              |              |
| 15  | 968955    | 6   | • Expansion plug    |              |
| 16  | 968145    | 1   | • Plug              |              |
| 17  | 191171    | 2   | • Pin               |              |
| 18  | 955082    | 6   | • Cap plug          |              |
| 19  | 479976    | 1   | Plug                |              |
| 20  | 420120    | 1   | Inspection cover    |              |
| 21  | 420121    | 1   | Inspection cover    |              |
| 22  | 3978045   | 1   | Splash plate        |              |
| 23  | 20591544  | 2   | Gasket              |              |
| 24  | 471854    | 1   | Cover               |              |
| 25  | 951973    | 1   | Spring pin          |              |
| 26  | 471855    | 5   | Shoulder screw      |              |
| 27  | 471856    | 5   | Sealing ring        |              |
| 28  | 1161231   | X   | Sealant             |              |
| 29  | 864531    | 1   | Tube                |              |
| 30  | 980786    | 1   | Ferrule             |              |
| 30A | 864533    | 1   | Reduction valve     |              |
| 31  | 479954    | 1   | Nipple              |              |
| 32  | 949918    | 1   | Shut-off cock       |              |
| 33  | 471857    | 1   | Breather pipe       |              |
| 34  | 421158    | 1   | Sealing ring        |              |
| 35  | 968124    | 1   | Clamp               |              |
| 36  |           | 1   | Lift iron           |              |
| 37  | 965191    | 1   | Flange screw        | M12x30mm     |
|     | 965194    | 1   | Flange screw        | M12x60mm     |
| 38  |           | 1   | Lift iron           |              |
| 39  | 965191    | 2   | Flange screw        |              |
| 40  | 420628    | 6   | Piston cooling jet  |              |
| 41  | 466874    | 6   | Sealing ring        |              |
| 42  | 471596    | 6   | Stud                |              |
| 43  | 948570    | 6   | Lock nut            |              |
| 44  | 479979    | X   | Plug                | Alt          |
| 45  |           | 1   | Pressure switch     | See group 30 |
| 46  |           | 1   | Oil pressure sensor | See group 30 |

## TD730VE, TWD731VE

| REF | PART NO.  | QTY | DESCRIPTION         | NOTES                             |
|-----|-----------|-----|---------------------|-----------------------------------|
| 1   | (8192730) | 1   | Cylinder block      |                                   |
| 2   |           | 7   | • Main bearing cap  |                                   |
| 3   | 422426    | 1   | • Pin               |                                   |
| 4   | 8192738   | 14  | • Flange screw      |                                   |
| 5   | 422076    | 1   | • Bushing           |                                   |
| 6   | 8192676   | 1   | • Bushing           |                                   |
| 7   | 8192677   | 1   | • Bushing           |                                   |
| 8   | 8192678   | 1   | • Bushing           |                                   |
| 9   | 422077    | 1   | • Bushing           |                                   |
| 10  | 8192679   | 1   | • Bushing           |                                   |
| 11  | 422082    | 1   | • Bushing           |                                   |
| 12  | 955082    | 7   | • Cap plug          |                                   |
| 13  | 191171    | 2   | • Pin               |                                   |
| 14  | 422369    | 2   | • Plug              |                                   |
| 15  | 968955    | 6   | • Expansion plug    |                                   |
| 16  | 968145    | 1   | • Plug              |                                   |
| 17  | 420589    | 1   | Expansion plug      |                                   |
| 18  | 968062    | 1   | Plug                |                                   |
| 19  | 479976    | 1   | Plug                | 3/8                               |
|     | 968063    | 2   | Plug                | M16                               |
| 19A | 940375    | 1   | Plug                | Mounted in oil hole for camshaft. |
| 20  | 420120    | 1   | Inspection cover    |                                   |
| 21  | 420121    | 1   | Inspection cover    |                                   |
| 22  | 3978045   | 1   | Splash plate        |                                   |
| 23  | 20591544  | 2   | Gasket              |                                   |
| 24  | 471854    | 1   | Cover               |                                   |
| 25  | 951973    | 1   | Spring pin          |                                   |
| 26  | 471855    | 5   | Shoulder screw      |                                   |
| 27  | 471856    | 5   | Sealing ring        |                                   |
| 28  | 1161231   | X   | Sealant             |                                   |
| 29  | 966146    | 1   | Plug                |                                   |
| 30  | 947629    | 1   | Gasket              |                                   |
| 31  | 479954    | 1   | Nipple              |                                   |
| 32  | 949918    | 1   | Shut-off cock       |                                   |
| 33  | 471857    | 1   | Breather pipe       |                                   |
| 34  | 421158    | 1   | Sealing ring        |                                   |
| 35  | 946440    | 1   | Flange screw        |                                   |
| 36  |           | 1   | Lift iron           |                                   |
| 37  | 965191    | 1   | Flange screw        |                                   |
|     | 965194    | 1   | Flange screw        |                                   |
| 38  |           | 1   | Lift iron           |                                   |
| 39  | 965191    | 2   | Flange screw        |                                   |
| 40  | 477437    | 6   | Piston cooling jet  |                                   |
| 41  | 466874    | 6   | Sealing ring        |                                   |
| 42  | 471596    | 6   | Stud                |                                   |
| 43  | 948570    | 6   | Lock nut            |                                   |
| 44  | 479979    | 4   | Plug                |                                   |
| 45  |           | 1   | Oil pressure sensor |                                   |
| 46  |           | 1   | Oil pressure sensor |                                   |
| 47  | 469328    | 1   | Gasket              |                                   |
| 48  | 467367    | 1   | Plug                |                                   |
| 49  | 476279    | 1   | Protecting cap      |                                   |
| 50  | 968124    | 1   | Clamp               | D=33mm                            |
| 51  | 415311    | 4   | Guide sleeve        |                                   |

TWD740VE

| REF | PART NO.  | QTY | DESCRIPTION       | NOTES   |
|-----|-----------|-----|-------------------|---------|
| 1   | (848465)  | 1   | Flywheel housing  |         |
| 2   | 11996     | 1   | Gasket            |         |
| 3   | 864494    | 1   | Setting indicator |         |
| 4   | 467367    | 1   | Plug              |         |
| 5   | 469328    | 1   | Gasket            |         |
| 6   | 905654    | 2   | Drive screw       |         |
| 7   | 849405    | 1   | Setting indicator |         |
| 8   | 477119    | 1   | Crankshaft seal   |         |
| 9   | 1161231   | X   | Sealant           |         |
| 10  | 966361    | 6   | Flange screw      | L=55mm  |
|     | 968753    | 2   | Flange screw      | L=75mm  |
| 11  | 966363    | 2   | Flange screw      | L=65mm  |
| 12  | 4772169   | 1   | Cover             |         |
| 13  | 4804167   | 1   | Gasket            |         |
| 14  | 946934    | 2   | Flange screw      |         |
| 15  | 848176    | 1   | Spacer ring       | SAE 2-3 |
| 16  | 955535    | 12  | Hexagon screw     |         |
| 17  | 942336    | 12  | Spring washer     |         |
| 18  | 953067    | 3   | Stud              |         |
| 19  | 971095    | 3   | Flange nut        |         |
| 20  | 180761    | 1   | Plug              |         |
| 21  | (3826475) | 1   | Flywheel          |         |
| 22  | 420314    | 1   | • Ring gear       |         |
| 23  | 465825    | 9   | Flange screw      |         |

TWD740VE

| REF | PART NO. | QTY | DESCRIPTION       | NOTES   |
|-----|----------|-----|-------------------|---------|
| 1   | 3978207  | 1   | Flywheel housing  |         |
| 1A  | 3978205  | 1   | • Rubber plug     |         |
| 2   | 467077   | 1   | Setting indicator |         |
| 3   | 420809   | 1   | Plug              |         |
| 4   | 477119   | 1   | Crankshaft seal   |         |
| 5   | 466963   | 1   | Protecting plate  |         |
| 6   | (417429) | 1   | Breather cap      |         |
| 7   | 946544   | 2   | Flange screw      |         |
| 8   | 1556192  | 1   | Plug              | M20     |
| 9   | 1161231  | 1   | Sealant           |         |
| 10  | 953069   | 2   | Stud              |         |
| 11  | 965187   | 1   | Flange screw      |         |
| 12  | 971095   | 3   | Flange nut        |         |
| 13  | 966361   | 6   | Flange screw      | L=55mm  |
|     | 968753   | 2   | Flange screw      | L=75mm  |
| 14  | 966371   | 2   | Flange screw      | L=140mm |
| 15  | 8192062  | 1   | Flywheel          |         |
| 16  | 420314   | 1   | • Ring gear       |         |
| 17  | 465826   | 9   | Flange screw      |         |
| 18  | 477844   | 1   | Pressure plate    |         |
| 19  | 3827293  | 1   | Flexplate         |         |
| 20  |          | 1   | • Plate           |         |
| 21  |          | 1   | • Washer          |         |
| 22  | 1529230  | 1   | • Nut set         |         |
| 23  | 960142   | 6   | • Washer          |         |

## TD730ME

| REF | PART NO. | QTY | DESCRIPTION       | NOTES   |
|-----|----------|-----|-------------------|---|
| 1   | 420674   | 1   | Flywheel housing  | For MT643 with flywheel housing of vehicle type., For ZF WG 180 with flywheel housing of vehicle type., SN-2071078953 |
|     | 420890   | 1   | Flywheel housing  | For MT643 with flywheel housing of vehicle type., For ZF WG 180 with flywheel housing of vehicle type., SN2071078954- |
|     | 3826499  | 1   | Flywheel housing  | For Clark 28000 and 32000.  |
| 2   | (403270) | 1   | • Pin             |   |
|     | 467077   | 1   | Setting indicator | For 3826499   |
| 3   | 420809   | 1   | Plug              |   |
| 4   | 477119   | 1   | Crankshaft seal   |   |
| 5   | 466963   | 1   | Protecting plate  |   |
| 6   | (417429) | 1   | Breather cap      |   |
| 7   | 946544   | 2   | Flange screw      |   |
| 8   | 960630   | 1   | Plug              | For 420674  |
|     | 981193   | 1   | Plug              | For 420890  |
| 9   | 969011   | 1   | Gasket            | For 420674  |
|     | 947625   | 1   | Gasket            | For 420890  |
| 10  | 953069   | 2   | Stud              | L=50mm  |
| 11  | 965221   | 1   | Flange screw      |   |
| 12  | 971095   | 3   | Flange nut        |   |
| 13  | 966361   | 6   | Flange screw      | L=55mm  |
|     | 968753   | 2   | Flange screw      | L=75mm  |
| 15  | 971012   | 2   | Hexagon screw     | L=150mm   |
|     | (971011) | 2   | Hexagon screw     | L=140mm   |
| 16  | 941911   | 2   | Spring washer     |   |
| 17  | 1161231  | X   | Sealant           |   |

TAD730V, TD71A, TID71A, TWD710V

| REF | PART NO. | QTY | DESCRIPTION  | NOTES         |
|-----|----------|-----|--------------|---------------|
| 1   | 471413   | 1   | Camshaft     | SN-2071097292 |
|     | 3978505  | 1   | Camshaft     | SN2071097293- |
| 2   | 950588   | 1   | • Pin        |               |
| 3   | 465789   | 1   | Flange       |               |
| 4   | (471509) | 2   | Flange nut   |               |
| 5   | 421067   | 12  | Valve tappet |               |
| 6   | 421385   | 12  | Push rod     | SN-2071097292 |
|     | 8192698  | 12  | Push rod     | SN2071097293- |
| 7   | 478297   | 1   | Gear         |               |
| 8   | 471555   | 3   | Flange screw |               |

TWD740VE

| REF | PART NO.  | QTY | DESCRIPTION          | SEE SEC. |
|-----|-----------|-----|----------------------|----------|
| 1   | (3978745) | 1   | Timing gear casing   |          |
| 2   | 941511    | 1   | Pin                  |          |
| 3   | 941510    | 1   | Pin                  |          |
| 4   | 1161231   | X   | Sealant              |          |
| 5   | 471534    | 2   | Flange screw         |          |
|     | 471535    | 2   | Flange screw         |          |
| 6   | 471528    | 1   | Gear, crankshaft     |          |
| 7   | 8192636   | 1   | Hub                  |          |
| 8   | 8192578   | 1   | Idler gear           |          |
| 9   | 478951    | 2   | Thrust washer        |          |
| 10  | 425432    | 1   | Bearing shield       |          |
| 10A | 8192579   | 3   | Flange screw         |          |
| 10B | 942180    | 3   | Disc spring          |          |
| 11  |           | 1   | Gear, camshaft       | 54159660 |
| 12  | 8192087   | 1   | Gear, fuel inj. pump |          |
| 13  | 471941    | 1   | Gear, oil pump       |          |
| 14  | 471942    | 1   | Idler gear, oil pump |          |
| 15  | 8192590   | 1   | Timing gear cover    |          |
| 16  |           | 1   | • Lock               |          |
| 17  | 477118    | 1   | • Sealing ring       |          |
| 18  | 1161231   | X   | Sealant              |          |
| 19  | 965183    | 1   | Flange screw         |          |
|     | 965182    | 6   | Flange screw         |          |
|     | 948217    | 2   | Flange screw         |          |
|     | 947760    | 7   | Flange screw         |          |
|     | 973924    | 1   | Flange screw         |          |
| 20  | 465735    | 1   | Cover                |          |
| 21  | 925094    | 1   | O-ring               |          |
| 22  | 965222    | 2   | Flange screw         |          |
| 23  | 955895    | 2   | Washer               |          |
| 24  | 420178    | 1   | Cover                |          |
| 25  | 947624    | 2   | Gasket               |          |
| 26  | 471559    | 1   | Cover                |          |
| 27  | 925257    | 1   | O-ring               |          |
| 28  | 945444    | 3   | Flange screw         |          |
| 29  | 941907    | 3   | Spring washer        |          |
| 30  | 967951    | 3   | Stud                 |          |
| 31  | 971097    | 3   | Flange nut           |          |
| 32  | 849197    | 1   | Oil filler pipe      |          |
| 33  | 421753    | 1   | Oil filler cap       |          |
| 34  | 1275379   | 1   | Gasket               |          |
| 35  | 975610    | 1   | O-ring               |          |
| 36  | 960632    | 2   | Plug                 |          |

## TAD730G, TD710G, TWD710G

| REF | PART NO. | QTY | DESCRIPTION          | SEE SEC. | NOTES   |
|-----|----------|-----|----------------------|----------|---|
| 1   | 471505   | 1   | Timing gear casing   |          |   |
| 2   | 941511   | 1   | Pin                  |          |   |
| 3   | 941510   | 1   | Pin                  |          |   |
| 4   | 1161231  | X   | Sealant              |          |   |
| 5   | 471534   | 2   | Flange screw         |          | L=28mm  |
|     | 471535   | 2   | Flange screw         |          | L=58mm  |
| 6   | 471528   | 1   | Gear, crankshaft     |          |   |
| 7   | 8192636  | 1   | Hub                  |          |   |
| 8   | 8192578  | 1   | Idler gear           |          |   |
| 9   | 478951   | 2   | Thrust washer        |          |   |
| 10  | 478954   | 1   | Bearing shield       |          |   |
| 10A | 8192579  | 3   | Flange screw         |          |   |
| 10B | 942180   | 3   | Disc spring          |          |   |
| 11  | 478297   | 1   | Gear, camshaft       | 54159489 |   |
| 12  | 478297   | 1   | Gear, fuel inj. pump |          | TD710G, TWD710G   |
|     | 478429   | 1   | Gear, fuel inj. pump |          | TAD730G"  |
| 13  | 471941   | 1   | Gear, oil pump       |          |   |
| 14  | 471942   | 1   | Idler gear, oil pump |          |   |
| 15  | 8192590  | 1   | Timing gear cover    |          | (8192052) (471562)  |
| 16  |          | 1   | • Lock               |          |   |
| 17  | 477118   | 1   | • Sealing ring       |          |   |
| 18  | 1161231  | X   | Sealant              |          |   |
| 19  | 965183   | 1   | Flange screw         |          | L=90mm  |
|     | 965182   | 6   | Flange screw         |          | L=80mm  |
|     | 948217   | 2   | Flange screw         |          | L=45mm  |
|     | 965216   | 2   | Flange screw         |          | L=55mm  |
|     | 947760   | 7   | Flange screw         |          | L=40mm  |
|     | 965225   | 1   | Flange screw         |          | M12x35mm  |
| 20  | 465735   | 1   | Cover                |          |   |
| 21  | 925094   | 1   | O-ring               |          |   |
| 22  | 965222   | 1   | Flange screw         |          | L=65mm  |
| 23  | 479971   | 1   | Stud                 |          |   |
| 24  | 955895   | 2   | Washer               |          |   |
| 25  | 971095   | 1   | Flange nut           |          |   |
| 26  | 471559   | 1   | Cover                |          |   |
| 27  | 925257   | 1   | O-ring               |          |   |
| 28  | 945444   | 3   | Flange screw         |          |   |
| 29  | 941907   | 3   | Spring washer        |          |   |
| 30  | 967951   | 3   | Stud                 |          |   |
| 31  | 971097   | 3   | Flange nut           |          |   |
| 32  | 849197   | 1   | Oil filler pipe      |          |   |
| 33  | 421753   | 1   | Oil filler cap       |          |   |
| 34  | 1275379  | 1   | Gasket               |          |   |
| 35  | 975610   | 1   | O-ring               |          |   |
| 36  | 960632   | 1   | Plug                 |          | When tachometer sensor is not installed.  |
| 37  | 947624   | 1   | Gasket               |          |   |
| 38  | 949656   | 1   | O-ring               |          |   |
| 39  | 863413   | 1   | Spacer sleeve        |          | Replaced by 1 ea spacer sleeve 865808 and 2 ea o-ring 949656.,<br>L=9,7mm, earlier prod |
|     | 865808   | 1   | Spacer sleeve        |          | L=11,0mm, later prod  |
| 40  | 947624   | 1   | Gasket               |          | For 863413  |
|     | 949656   | 1   | O-ring               |          | For 865808  |
| 41  |          | 1   | Tachometer sensor    |          | See group 30  |

## TWD710P, TWD710PB

| REF | PART NO. | QTY | DESCRIPTION         | NOTES                               |
|-----|----------|-----|---------------------|-------------------------------------|
| 1   | 3827384  | 6   | Cylinder liner kit  |                                     |
| 2   |          | 6   | • Cylinder liner    |                                     |
| 3   | 271159   | 6   | • Sealing ring kit  |                                     |
| 4   | 271117   | 6   | • Piston ring kit   |                                     |
| 5   |          | 6   | • Piston            |                                     |
| 6   | 477927   | 6   | • Piston pin        | Std D                               |
| 7   | 914525   | 12  | • Snap ring         |                                     |
| 8   | 466878   | X   | Adjusting washer    | Use only when repairing., TH=0,12mm |
|     | 466114   | X   | Adjusting washer    | Use only when repairing., TH=0,20mm |
|     | 466183   | X   | Adjusting washer    | Use only when repairing., TH=0,30mm |
|     | 466184   | X   | Adjusting washer    | Use only when repairing., TH=0,50mm |
| 9   | 864936   | 6   | Connecting rod      | (471523)                            |
| 10  | 465815   | 12  | • Flange screw      |                                     |
| 11  | 471364   | 6   | • Bushing           |                                     |
| 12  | 477116   | 1   | Crankshaft, 6-hole  | SN-2071018953                       |
|     | 477870   | 1   | Crankshaft, 9-hole  | SN2071018954-                       |
| 12A | 950677   | 1   | • Pin               |                                     |
| 13  | 422253   | 1   | • Woodruff key      |                                     |
| 14  | 471528   | 1   | Gear                |                                     |
| 15  | 465779   | 1   | Hub                 |                                     |
| 16  | 420124   | 1   | Washer              |                                     |
| 17  | 470366   | 1   | Flange screw        |                                     |
| 18  | 3825339  | 1   | Oscillation damper  | (421515)                            |
| 19  | 4772117  | 1   | Pulley              | 3 groove                            |
| 20  | 471529   | 8   | Flange screw        |                                     |
| 21  | 270115   | 6   | Big-end bearing kit | Std                                 |
|     | 270116   | 6   | Big-end bearing kit | U.S=0,25mm                          |
|     | 270117   | 6   | Big-end bearing kit | Under size=0,50mm                   |
|     | (270118) | 6   | Big-end bearing kit | U.S=0,76mm                          |
|     | 270119   | 6   | Big-end bearing kit | U.S=1,01mm                          |
|     | (270120) | 6   | Big-end bearing kit | U.S=1,27mm                          |
| 22  | 270432   | 7   | Main bearing kit    | Std                                 |
|     | 270433   | 7   | Main bearing kit    | U.S=0,25mm                          |
|     | 270434   | 7   | Main bearing kit    | Under size=0,50mm                   |
|     | (270435) | 7   | Main bearing kit    | U.S=0,76mm                          |
|     | 270436   | 7   | Main bearing kit    | U.S=1,01mm                          |
|     | (270437) | 7   | Main bearing kit    | U.S=1,27mm                          |
| 23  | 276754   | 1   | Thrust washer kit   | Std                                 |
|     | 276755   | 1   | Thrust washer kit   | O.S=0,10mm                          |
|     | 276756   | 1   | Thrust washer kit   | O.S=0,20mm                          |
|     | (276757) | 1   | Thrust washer kit   | O.S=0,30mm                          |
| 24  | (864260) | 1   | Flywheel            | SN-2071018953                       |
|     | 3825732  | 1   | Flywheel            | SN2071018954-                       |
| 25  | 420314   | 1   | • Ring gear         | (420067)                            |
| 26  | 465825   | 6   | Flange screw        | For 864260                          |

## TAD730V

| REF | PART NO. | QTY | DESCRIPTION         | SEE SEC. | NOTES                               |
|-----|----------|-----|---------------------|----------|-------------------------------------|
| 1   | 876548   | 6   | Cylinder liner kit  |          |                                     |
| 2   |          | 6   | • Cylinder liner    |          |                                     |
| 3   | 271159   | 6   | • Sealing ring kit  |          |                                     |
| 4   | 876542   | 6   | • Piston ring kit   |          |                                     |
| 5   |          | 6   | • Piston            |          |                                     |
| 6   | 3978588  | 6   | • Piston pin        |          | Std                                 |
| 7   | 914525   | 12  | • Snap ring         |          |                                     |
| 8   | 466878   | X   | Adjusting washer    |          | Use only when repairing., TH=0,12mm |
|     | 466114   | X   | Adjusting washer    |          | Use only when repairing., TH=0,20mm |
|     | 466183   | X   | Adjusting washer    |          | Use only when repairing., TH=0,30mm |
|     | 466184   | X   | Adjusting washer    |          | Use only when repairing., TH=0,50mm |
| 9   | 864936   | 6   | Connecting rod      |          |                                     |
| 10  | 465815   | 12  | • Flange screw      |          |                                     |
| 11  | 471364   | 6   | • Bushing           |          |                                     |
| 12  | 477870   | 1   | Crankshaft          |          |                                     |
| 12A | 950677   | 1   | • Pin               |          |                                     |
| 13  | 422253   | 1   | • Woodruff key      |          |                                     |
| 14  | 471528   | 1   | Gear                |          |                                     |
| 15  | 465779   | 1   | Hub                 |          |                                     |
| 16  | 420124   | 1   | Washer              |          |                                     |
| 17  | 470366   | 1   | Flange screw        |          |                                     |
| 18  | 3825339  | 1   | Oscillation damper  |          |                                     |
|     | 888019   | 1   | Vibration damper    |          | For twin alternators.               |
| 19  | 4772117  | 1   | Pulley              |          | 3-groove                            |
| 20  | 471529   | 8   | Flange screw        |          | L=60mm                              |
| 21  | 270115   | 6   | Big-end bearing kit |          | Std                                 |
|     | 270116   | 6   | Big-end bearing kit |          | U.S=0,25mm                          |
|     | 270117   | 6   | Big-end bearing kit |          | Under size=0,50mm                   |
|     | (270118) | 6   | Big-end bearing kit |          | U.S=0,76mm                          |
|     | 270119   | 6   | Big-end bearing kit |          | U.S=1,01mm                          |
|     | (270120) | 6   | Big-end bearing kit |          | U.S=1,27mm                          |
| 22  | 270432   | 7   | Main bearing kit    |          | Std                                 |
|     | 270433   | 7   | Main bearing kit    |          | U.S=0,25mm                          |
|     | 270434   | 7   | Main bearing kit    |          | Under size=0,50mm                   |
|     | (270435) | 7   | Main bearing kit    |          | U.S=0,76mm                          |
|     | 270436   | 7   | Main bearing kit    |          | U.S=1,01mm                          |
|     | (270437) | 7   | Main bearing kit    |          | U.S=1,27mm                          |
| 23  | 276754   | 1   | Thrust washer kit   |          | Std                                 |
|     | 276755   | 1   | Thrust washer kit   |          | O.S=0,10mm                          |
|     | 276756   | 1   | Thrust washer kit   |          | O.S=0,20mm                          |
|     | (276757) | 1   | Thrust washer kit   |          | O.S=0,30mm                          |
| 24  |          | 1   | Flywheel            | 54159771 |                                     |

TAD740GE, TAD741GE, TWD740GE

| REF | PART NO. | QTY | DESCRIPTION      | NOTES        |
|-----|----------|-----|------------------|--------------|
| 1   | 3827471  | 1   | Frame            | (865870)     |
| 2   |          | 1   | • Support member |              |
| 3   | 847800   | 2   | Engine bracket   |              |
| 4   | 847889   | 1   | Spacer, left     |              |
| 5   | 965227   | 4   | Flange screw     | L=55mm       |
|     | 965193   | 4   | Flange screw     | L=50mm       |
| 6   | 965191   | 4   | Flange screw     | L=30mm       |
| 7   | 847801   | 2   | Engine bracket   |              |
| 8   | 965193   | 4   | Flange screw     | L=50mm       |
|     | 946817   | 4   | Flange screw     | L=25mm       |
| 9   | 965191   | 4   | Flange screw     | L=30mm       |
| 9A  | 940280   | 4   | Spring washer    |              |
| 10  | 971099   | 8   | Flange lock nut  |              |
| 11  | 3828247  | 6   | Rubber cushion   | 60SH         |
| 12  | 961305   | 6   | Hexagon screw    |              |
| 13  | 955904   | 6   | Washer           | For 3828247  |
| 14  | 865549   | 2   | Washer           |              |
| 15  |          | 1   | Battery box      | See group 30 |

TAD740GE, TAD741GE, TWD740GE

| REF | PART NO. | QTY | DESCRIPTION            | SEE SEC. | NOTES   |
|-----|----------|-----|------------------------|----------|---|
| 1   | 864760   | 1   | Oil pump               |          |   |
|     |          |     | .                      |          |   |
| 2   | 471513   | 4   | Screw                  |          | M10X70mm  |
| 3   | 471734   | 2   | Flange screw           |          | M8X70mm   |
| 4   | 3827022  | 1   | Oil pressure pipe      |          |   |
| 5   | 471746   | 1   | Clamp                  |          |   |
| 6   | 946440   | 1   | Flange screw           |          |   |
| 7   | 3827023  | 1   | Oil pressure pipe      |          |   |
| 8   | 471595   | 2   | • Pressure pipe connec |          |   |
| 9   | 980786   | 2   | • Ferrule              |          | (956972)  |
| 10  |          |     | Oil filter housing     | 54162926 |   |
| 11  |          |     | Oil cooler             | 54163150 |   |
| 12  | 949659   | 1   | O-ring                 |          |   |
| 13  | 471956   | 1   | Gasket                 |          |   |
| 14  | 420725   | 1   | Oil strainer           |          |   |
| 15  | 968892   | 2   | Flange screw           |          |   |
| 16  | 969225   | 2   | Flange screw           |          |   |
| 17  | 421026   | 1   | Oil sump               |          |   |
| 18  | 18677    | 1   | • Gasket               |          |   |
| 19  | 192538   | 1   | • Magnetic plug        |          |   |
| 20  | 11030779 | 1   | Gasket                 |          |   |
| 21  | 946440   | 36  | Flange screw           |          |   |
| 22  | 3837267  | 1   | Tube                   |          | Oil dipstick 863797 and pipe 848700 replace 862197, 862055 and sealing ring 955984., (848700) |
| 23  | 863797   | 1   | Oil dipstick           |          | Oil dipstick 863797 and pipe 848700 replace 862197, 862055 and sealing ring 955984.           |
| 24  | 925054   | 1   | • O-ring               |          | Oil dipstick 863797 and pipe 848700 replace 862197, 862055 and sealing ring 955984.           |

I-D7-A-220-54162899

47243

Upd:9/5/2022

TD71A, TD730VE, TID71A, TWD731VE

| REF | PART NO. | QTY | DESCRIPTION            | SEE SEC. | NOTES                               |
|-----|----------|-----|------------------------|----------|-------------------------------------|
| 1   | 477547   | 1   | Oil pump               |          | SN-2071097292                       |
|     | 864760   | 1   | Oil pump               |          | SN2071097293-                       |
| 2   | 471513   | 4   | Screw                  |          | M10X70mm                            |
| 3   | 471734   | 2   | Flange screw           |          | M8X70mm                             |
| 4   | 848941   | 1   | Oil strainer           |          |                                     |
| 5   | 946440   | 2   | Flange screw           |          |                                     |
| 6   | 470383   | 2   | Sealing ring           |          |                                     |
| 7   | 965183   | 2   | Flange screw           |          | L=90mm                              |
|     | 965184   | 2   | Flange screw           |          | L=100mm                             |
| 8   | 955894   | 2   | Washer                 |          |                                     |
| 9   | (465846) | 1   | Spacer                 |          |                                     |
| 10  | 968553   | 2   | Flange screw           |          | L=115mm                             |
|     | 968999   | 2   | Flange screw           |          | L=130mm                             |
| 11  | 941907   | 2   | Spring washer          |          |                                     |
| 12  | 471588   | 1   | Pipe connection        |          |                                     |
| 13  | 980786   | 1   | Ferrule                |          |                                     |
| 14  | 477947   | 1   | Oil pressure pipe      |          | SN-2071097292                       |
|     | 477948   | 1   | Oil pressure pipe      |          | SN2071097293-                       |
| 14A | 980786   | 1   | • Ferrule              |          |                                     |
| 14B | 471595   | 1   | • Pressure pipe connec |          |                                     |
| 15  | (420996) | 1   | Oil pressure pipe      |          |                                     |
| 16  | 980786   | 1   | • Ferrule              |          |                                     |
| 17  | 471595   | 1   | • Pressure pipe connec |          |                                     |
| 18  | 471746   | 1   | • Clamp                |          |                                     |
| 19  | 471956   | 2   | • Gasket               |          |                                     |
| 20  | 946440   | 1   | Flange screw           |          |                                     |
| 21  | 1545433  | 1   | Attaching clamp        |          |                                     |
| 22  | 946440   | 1   | Flange screw           |          |                                     |
| 23  | 945408   | 1   | Flange nut             |          |                                     |
| 24  | 848076   | 1   | Baffle plate           |          | SN-2071097292                       |
|     | 3826485  | 1   | Baffle plate           |          | SN2071097293-                       |
| 25  | 946440   | 2   | Flange screw           |          |                                     |
| 26  | 847689   | 1   | Oil sump               |          |                                     |
| 27  | 11030779 | 1   | Gasket                 |          | (865342)                            |
| 28  | 198      | 1   | Plug                   |          |                                     |
| 29  | 18813    | 1   | Gasket                 |          |                                     |
| 30  | 946440   | 36  | Flange screw           |          |                                     |
| 31  | 3837267  | 1   | Tube                   |          | Oil dipstick mounted on right side. |
|     | 862055   | 1   | Pipe                   |          | Oil dipstick mounted on left side.  |
| 32  | 863797   | 1   | Oil dipstick           |          | Oil dipstick mounted on right side. |
|     | 862197   | 1   | Oil dipstick           |          | Oil dipstick mounted on left side.  |
| 33  | 925054   | 1   | • O-ring               |          | For 863797                          |
|     | 955984   | 1   | O-ring                 |          | For 862197                          |
| 34  |          | 1   | Oil filter housing     | 54159893 |                                     |
| 35  |          | 1   | Oil cooler             | 54164356 |                                     |

I-D7-A-220-54159897

47246

Upd:9/5/2022

## TWD740VE

| REF | PART NO.  | QTY | DESCRIPTION            | SEE SEC. | NOTES    |
|-----|-----------|-----|------------------------|----------|----------|
| 1   | 864760    | 1   | Oil pump               |          |          |
|     |           |     | •                      |          |          |
| 2   | 471513    | 4   | Screw                  |          | M10X70mm |
| 3   | 471734    | 2   | Flange screw           |          | M8X70mm  |
| 4   | (3830137) | 1   | Oil pressure pipe      |          |          |
| 5   | 980786    | 1   | Ferrule                |          |          |
| 6   | 471595    | 1   | Pressure pipe connec   |          |          |
| 7   | 471956    | 2   | Gasket                 |          |          |
| 8   | 471746    | 1   | Clamp                  |          |          |
| 9   | 3827023   | 1   | Oil pressure pipe      |          |          |
| 10  | 980786    | 2   | • Ferrule              |          |          |
| 11  | 471595    | 2   | • Pressure pipe connec |          |          |
| 12  |           | 1   | Oil cooler             | 54164505 |          |
| 13  | 949659    | 1   | O-ring                 |          |          |
| 14  | 471956    | 1   | Gasket                 |          |          |
| 15  | 420725    | 1   | Oil strainer           |          |          |
| 16  | 968999    | 2   | Flange screw           |          |          |
| 17  | 968842    | 2   | Flange screw           |          |          |
| 18  | 421792    | 1   | Oil sump               |          |          |
| 19  | 477785    | 1   | Gasket                 |          |          |
| 20  | 420991    | 36  | Rubber cushion         |          |          |
| 21  | 1556083   | 36  | Shoulder screw         |          |          |
| 22  | 943353    | 20  | Plastic rivet          |          |          |
| 23  | 20571854  | 1   | Magnetic plug          |          |          |
| 24  | 18813     | 1   | Gasket                 |          |          |
| 25  | 862055    | 1   | Pipe                   |          |          |
| 26  | 862197    | 1   | Oil dipstick           |          |          |
| 27  | 955984    | 1   | O-ring                 |          |          |
| 28  |           | 1   | Oil filter housing     | 54162926 |          |
| 29  | 946440    | 3   | Flange screw           |          |          |

TD730ME, TWD730ME

| REF | PART NO. | QTY | DESCRIPTION                       | SEE SEC. | NOTES    |
|-----|----------|-----|-----------------------------------|----------|----------|
| 1   | 477547   | 1   | Oil pump                          |          |          |
|     |          |     | •                                 |          |          |
| 2   | 471513   | 4   | Screw                             |          | M10X70mm |
| 3   | 471734   | 2   | Flange screw                      |          | M8X70mm  |
| 4   | 477947   | 1   | Oil pressure pipe                 |          | (471587) |
| 5   | 471588   | 1   | Pipe connection                   |          |          |
| 6   | 956972   | 1   | Ferrule                           |          |          |
| 7   | (420996) | 1   | Oil pressure pipe, piston cooling |          | (471594) |
| 8   | 471746   | 1   | • Clamp                           |          |          |
| 9   | 471956   | 2   | • Gasket                          |          |          |
| 10  | 471588   | 1   | Pipe connection                   |          |          |
| 11  | 956972   | 1   | Ferrule                           |          |          |
| 12  | 946440   | 1   | Flange screw                      |          |          |
| 13  | 949659   | 1   | O-ring                            |          |          |
| 14  | 471956   | 1   | Gasket                            |          |          |
| 15  | 420725   | 1   | Oil strainer                      |          |          |
| 16  | 968999   | 2   | Flange screw                      |          |          |
| 17  | 968842   | 2   | Flange screw                      |          |          |
| 18  | 955894   | 4   | Washer                            |          |          |
| 19  | 421026   | 1   | Oil sump                          |          |          |
| 20  | 11030779 | 1   | Gasket                            |          | (865342) |
| 21  | 192538   | 1   | Magnetic plug                     |          |          |
| 22  | 18677    | 1   | Gasket                            |          |          |
| 23  | 946440   | 36  | Flange screw                      |          |          |
| 24  | 848700   | 1   | Pipe                              |          |          |
| 25  | 863797   | 1   | Oil dipstick                      |          |          |
| 26  | 925054   | 1   | • O-ring                          |          |          |
| 27  |          | 1   | Oil filter housing                | 54146799 |          |
| 28  |          | 1   | Oil cooler                        | 54146885 |          |

I-D7-A-220-54146671

46376

Upd:9/5/2022

TAD730G, TAD730V, TAD740GE, TAD741GE, TD710G, TD71A, TD730VE, TID71A, TWD710G, TWD710V, TWD731VE, TWD740GE, TWD740VE

| REF | PART NO. | QTY | DESCRIPTION        | NOTES                     |
|-----|----------|-----|--------------------|---------------------------|
| 1   | 864760   | 1   | Oil pump           |                           |
| 2   | 471571   | 1   | • Bracket          |                           |
| 3   |          | 1   | • • Bracket        |                           |
| 4   | 470347   | 2   | • • • Bushing      | Included in overhaul kit. |
| 5   | 191171   | 1   | • • Pin            |                           |
| 6   | 471942   | 1   | • Idler gear       |                           |
| 7   |          | 1   | • • Idler gear     |                           |
| 8   |          | 2   | • • Bushing        |                           |
| 9   | 420048   | 1   | • Bearing sleeve   |                           |
| 10  | 471586   | 3   | • Screw            |                           |
| 11  | 471941   | 1   | • Gear             |                           |
| 12  | (470344) | 1   | • Oil pump housing |                           |
| 13  |          | 1   | • • Housing        |                           |
| 14  | 470347   | 2   | • • • Bushing      | Included in overhaul kit. |
| 15  | 401146   | 2   | • • Guide sleeve   |                           |
| 16  |          | 1   | • Shaft, with gear | Included in overhaul kit. |
| 17  |          | 1   | • Shaft, with gear | Included in overhaul kit. |
| 18  | 965183   | 2   | • Flange screw     |                           |
| 19  | 276156   | 1   | Overhaul kit       |                           |

TD710G, TWD710G

| REF | PART NO. | QTY | DESCRIPTION                            | NOTES           |
|-----|----------|-----|--|-----------------|
| 1   | 471600   | 1   | Oil filter housing                     |                 |
| 2   |          | 1   | • Housing                              |                 |
| 3   | 471598   | 1   | • Plug                                 |                 |
| 4   | 947627   | 1   | • Gasket                               |                 |
| 5   | 466653   | 1   | • Compression spring                   |                 |
| 6   | 471085   | 1   | • Valve cone                           |                 |
| 7   | 479979   | 1   | • Plug                                 | (191026)        |
| 8   | 471648   | 2   | • Cover                                |                 |
| 9   | 949659   | 2   | • O-ring                               |                 |
| 10  | 946544   | 4   | • Flange screw                         | (955272)        |
| 11  | 955892   | 4   | • Washer                               | Early type      |
| 12  | 469846   | 2   | • Sealing ring                         |                 |
| 13  | 471646   | 1   | • Piston cooling valve, piston cooling | White           |
| 14  | 471706   | 1   | • Reduction valve                      | Blue            |
| 15  | 466623   | 1   | • Nipple                               |                 |
| 16  | 949656   | 2   | O-ring                                 |                 |
| 17  | 949722   | 1   | O-ring                                 |                 |
| 18  | 946329   | 2   | Flange screw                           | L=25mm (973083) |
|     | 965222   | 1   | Flange screw                           | L=65mm          |
| 19  | 941908   | 3   | Spring washer                          |                 |
| 20  | 466634   | 1   | Oil filter                             |                 |
| 21  | 471956   | 2   | Gasket                                 |                 |
| 22  | 471602   | 1   | Pipe                                   |                 |
| 23  | 471601   | 1   | Housing                                |                 |
| 24  | 949656   | 2   | O-ring                                 |                 |
| 25  | 469904   | 1   | Nipple                                 |                 |
| 26  | 477556   | 1   | Oil filter                             | By-pass         |
| 27  | 946329   | 3   | Flange screw                           | L=25mm (973083) |
| 28  | 941908   | 3   | Spring washer                          |                 |
| 29  | 20555696 | 1   | Sealing ring                           |                 |
| 30  | 848319   | 1   | Plug                                   |                 |
| 31  | 848318   | 1   | Anchorage                              |                 |
| 32  | 946440   | 1   | Flange screw                           |                 |

I-D7-A-222-54159534

46633

Upd:9/5/2022

TAD730G, TAD730P, TAD730V, TAD740GE, TAD741GE, TD710G, TD71A, TD71FSQ, TD730ME, TD730VE, TD73ES, TID71A, TWD710G, TWD710P, TWD71

**VOLVO**  
**PENTA**

TAD730P, TWD710P, TWD710PB

| REF | PART NO. | QTY | DESCRIPTION    | NOTES    |
|-----|----------|-----|----------------|----------|
| 1   | 805999   | 1   | Oil bilge pump |          |
| 2   |          | 1   | Handle         |          |
| 3   | 955783   | 1   | Hexagon nut    |          |
| 4   | 942590   | 1   | Elbow nipple   | (961610) |
| 5   | 821944   | 1   | Rubber hose    |          |
| 6   | 957111   | 1   | Elbow nipple   |          |
| 7   | 191929   | 1   | Hollow screw   |          |
| 8   | 957185   | 2   | Gasket         |          |
| 9   | (847660) | 1   | Bracket        |          |
| 10  | 823492   | 2   | Spacer sleeve  |          |
| 11  | 955299   | 2   | Hexagon screw  |          |
| 12  | 941907   | 2   | Spring washer  |          |
| 13  | 976944   | 2   | Washer         |          |
| 14  | 955782   | 2   | Hexagon nut    |          |
| 15  | 946817   | 2   | Flange screw   |          |
| 16  | 971096   | 2   | Flange nut     |          |

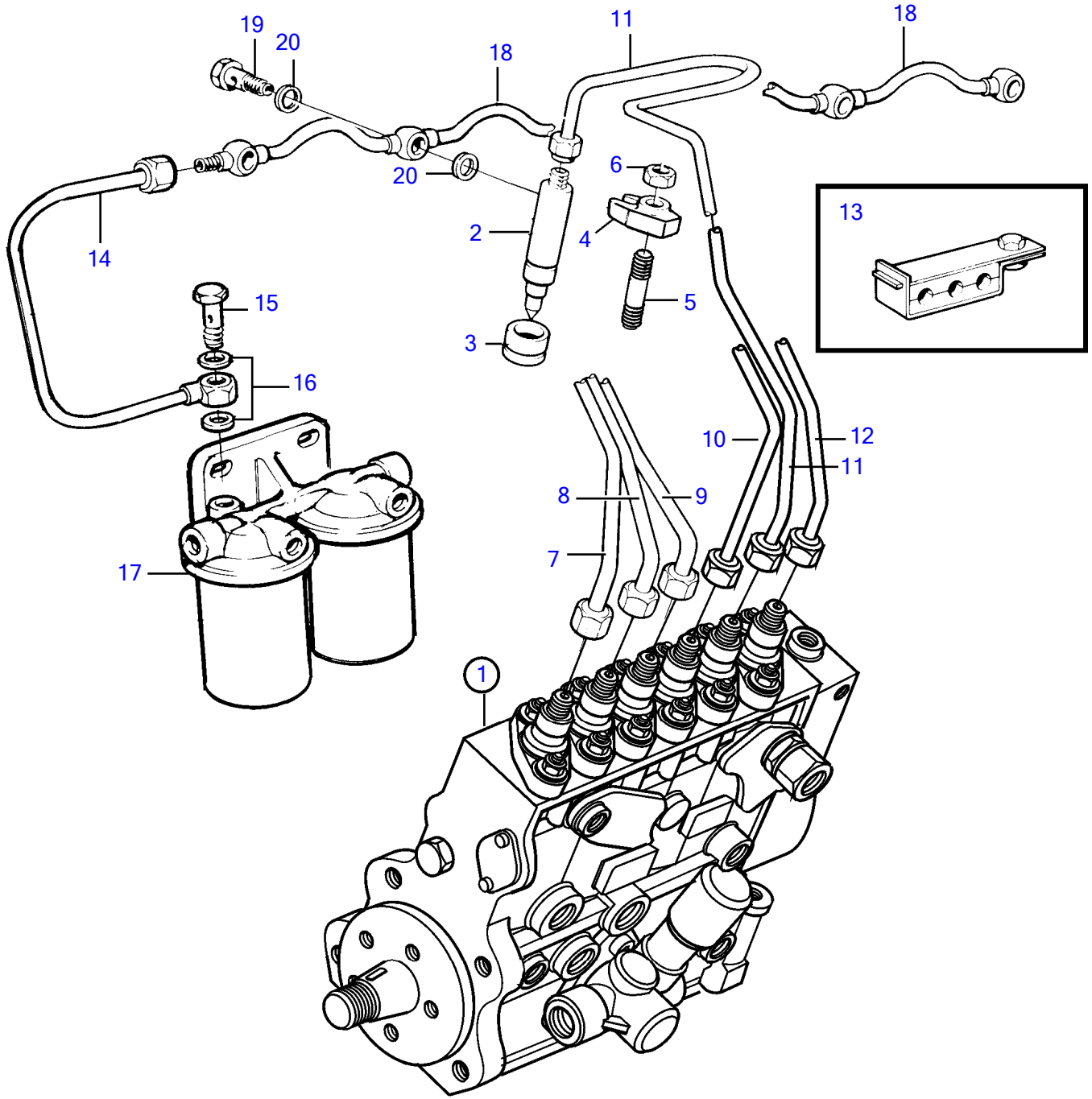
TAD730G

| REF | PART NO. | QTY | DESCRIPTION          | SEE SEC. | NOTES                            |
|-----|----------|-----|----------------------|----------|----------------------------------|
| 1   | 3803716  | 1   | Injection pump       |          | For electric speed control., Std |
| 2   |          | 1   | Pump companion       | 54149759 |                                  |
| 3   | 477173   | 1   | Pressure equalizer   |          |                                  |
| 3A  | 960630   | 1   | Plug                 |          | Alt                              |
| 4   | 976929   | 1   | Gasket               |          | (969011)                         |
| 5   | 471484   | 1   | Fuel pipe            |          |                                  |
| 6   | 471603   | 1   | Fuel pipe            |          |                                  |
| 7   | 25167    | 4   | Hollow screw         |          |                                  |
| 8   | 976929   | 8   | Gasket               |          | (969011)                         |
| 9   | 404279   | 4   | Clamp                |          |                                  |
| 10  | 956095   | 2   | Cross recessed screw |          |                                  |
| 11  | 955781   | 2   | Hexagon nut          |          |                                  |
| 12  |          | 1   | Fuel filter          | 54159497 |                                  |
| 13  | 471608   | 1   | Oil pressure pipe    |          | Early type                       |
| 13A | (477908) | 1   | Oil pressure pipe    |          | SN-2071064646                    |
| 13  | 477986   | 1   | Oil pressure pipe    |          | SN2071064647-                    |
| 14  | 48634    | 1   | Hollow screw         |          |                                  |
| 15  | 947281   | 2   | Gasket               |          | SN-2071064646                    |
|     | 11994    | 2   | Gasket               |          | SN2071064647-                    |
| 16  | 48634    | 1   | Hollow screw         |          | SN-2071064646                    |
|     | 969299   | 1   | Hollow screw         |          | SN2071064647-                    |
| 16A | 479958   | 1   | Elbow nipple         |          | Early type                       |
| 16B | 954364   | 1   | Sleeve               |          | Early type                       |
| 16C | 954356   | 1   | Fitting nut          |          | Early type                       |
| 17  | 947281   | 2   | Gasket               |          | SN-2071064646                    |
|     | 11994    | 2   | Gasket               |          | SN2071064647-                    |
| 18  | (477773) | 1   | Shelf                |          |                                  |
| 19  | 865274   | 1   | Oil return pipe      |          | SN2071074713-                    |
| 20  | 48634    | 1   | Hollow screw         |          | SN2071074713-                    |
| 21  | 907132   | 2   | Gasket               |          | SN2071074713-                    |
| 22  | 25167    | 1   | Hollow screw         |          | SN2071074713-                    |
| 23  | 976929   | 2   | Gasket               |          | SN2071074713-                    |
| 24  | 947191   | 1   | Clamp                |          | SN2071074713-                    |
| 25  | 946471   | 1   | Flange screw         |          | SN2071074713-                    |
| 26  | 3826927  | 1   | Oil return pipe      |          | SN-2071074712                    |
| 27  | 25167    | 2   | Hollow screw         |          | SN-2071074712                    |
| 28  | 976929   | 4   | Gasket               |          | SN-2071074712                    |
| 29  | 942542   | 1   | Clamp                |          | SN-2071074712                    |
| 30  | 946471   | 1   | Flange screw         |          | SN-2071074712                    |
| 31  | 18387    | 1   | Clamp                |          | SN-2071074712                    |
| 32  | 944926   | 1   | Flange screw         |          | SN-2071074712                    |
| 33  | 849229   | 1   | Fuel pipe            |          |                                  |
| 34  | 25167    | 1   | Hollow screw         |          |                                  |
| 35  | 976929   | 2   | Gasket               |          | (969011)                         |
| 36  | 965189   | 4   | Flange screw         |          |                                  |
| 37  | 190509   | 4   | Washer               |          |                                  |
| 38  | 417588   | 3   | Guide sleeve         |          |                                  |
| 39  | 965185   | 4   | Flange screw         |          |                                  |
| 40  | 941908   | 4   | Spring washer        |          |                                  |
| 41  | 865737   | 2   | Fuel hose            |          |                                  |
| 42  | 956969   | 4   | • Ferrule            |          |                                  |
| 43  | 956983   | 4   | • Fitting nut        |          |                                  |
| 44  | 1136551  | 1   | Anchorage            |          |                                  |
| 45  | 952623   | 1   | Clamp                |          |                                  |
| 46  | 946544   | 1   | Flange screw         |          |                                  |
| 47  | 945407   | 1   | Flange nut           |          |                                  |

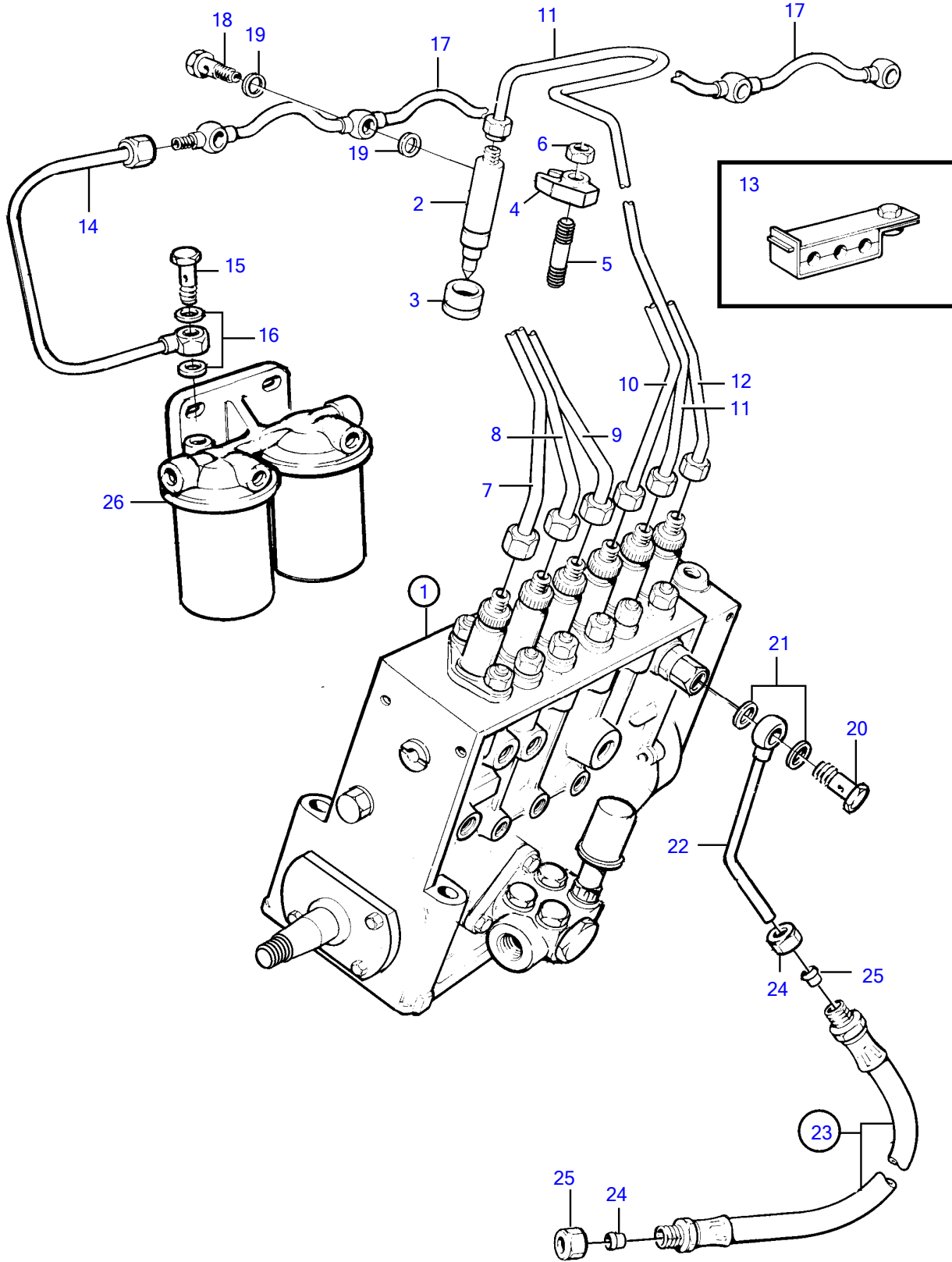
TAD741GE

| REF | PART NO.  | QTY | DESCRIPTION       | SEE SEC. | NOTES    |
|-----|-----------|-----|-------------------|----------|----------|
| 1   | (3803745) | 1   | Injection pump    |          |          |
| 2   | 3825154   | 1   | Overflow valve    |          |          |
| 2A  | 11996     | 1   | Gasket            |          |          |
| 3   | 849229    | 1   | Fuel pipe         |          |          |
| 4   | 3830418   | 1   | Hose              |          |          |
| 5   | 11994     | 2   | Gasket            |          |          |
| 6   | 969299    | 1   | Hollow screw      |          |          |
| 7   | 946173    | 1   | Flange screw      |          |          |
| 8   | 18665     | 2   | Gasket            |          |          |
| 9   | 48634     | 1   | Hollow screw      |          |          |
| 10  | 948211    | 1   | Cable tie         |          |          |
| 11  | 3827062   | 1   | Oil return pipe   |          |          |
| 12  | 969011    | 6   | Gasket            |          |          |
| 13  | 25167     | 3   | Hollow screw      |          |          |
| 14  | 949746    | 2   | Clamp             |          | (946834) |
| 15  | 946440    | 1   | Flange screw      |          | M8x16mm  |
|     | 946471    | 1   | Flange screw      |          | M10x16mm |
| 16  | 953069    | 3   | Stud              |          |          |
| 17  | 971098    | 3   | Flange lock nut   |          |          |
| 18  | 946752    | 1   | Flange screw      |          |          |
| 19  | (3827142) | 1   | Support           |          |          |
| 20  | (3827143) | 1   | Bracket           |          |          |
| 21  | 959238    | 2   | Hex. socket screw |          |          |
| 22  | 965187    | 2   | Flange screw      |          |          |
| 23  | 965183    | 2   | Flange screw      |          |          |
| 24  |           |     | Fuel filter       | 54162908 |          |
| 25  | 3832692   | 2   | Fuel hose         |          |          |
| 26  | 25167     | 4   | Hollow screw      |          |          |
| 27  | 976929    | 8   | Gasket            |          |          |
| 28  | (837608)  | 1   | Fuel pipe         |          |          |
| 29  | 16496     | 1   | Hollow screw      |          |          |
| 30  | 969011    | 2   | Gasket            |          |          |
| 31  | 3827178   | 1   | Companion flange  |          |          |
| 32  | 8192087   | 1   | Gear              |          |          |
| 33  | 3827326   | 1   | Washer            |          |          |
| 34  | 980113    | 5   | Flange screw      |          |          |
| 35  | 865737    | 2   | Fuel hose         |          |          |
| 36  | 956969    | 4   | • Ferrule         |          |          |
| 37  | 956983    | 4   | • Fitting nut     |          |          |
| 38  | 965558    | 1   | Bracket           |          |          |
| 39  | 952630    | 1   | Clamp             |          |          |
| 40  | 9205207   | 1   | Retainer          |          |          |
| 41  | 946934    | 1   | Flange screw      |          |          |
| 42  | 945407    | 1   | Flange nut        |          |          |

TAD741GE



TD710G, TWD710G



## TAD730P

| REF | PART NO. | QTY | DESCRIPTION                 | SEE SEC. | NOTES         |
|-----|----------|-----|-----------------------------|----------|---------------|
| 1   | 865560   | 1   | Injection pump              |          |               |
|     | 3803717  | 1   | Injection pump              |          |               |
|     |          |     | • parts not sold separately |          |               |
| 2   |          | 1   | Pump companion              | 54149759 |               |
| 3   | 477173   | 1   | Pressure equalizer          |          |               |
| 3A  | 960630   | 1   | Plug                        |          |               |
| 4   | 969011   | 1   | Gasket                      |          |               |
| 5   | 471484   | 1   | Fuel pipe                   |          |               |
| 6   | 471603   | 1   | Fuel pipe                   |          |               |
| 7   | 25167    | 4   | Hollow screw                |          |               |
| 8   | 969011   | 8   | Gasket                      |          |               |
| 9   | 404279   | 4   | Clamp                       |          |               |
| 10  | 956095   | 2   | Cross recessed screw        |          |               |
| 11  | 955781   | 2   | Hexagon nut                 |          |               |
| 12  |          | 1   | Fuel filter                 | 54159497 |               |
| 13  | 471608   | 1   | Oil pressure pipe           |          | Early type    |
| 13A | (477908) | 1   | Oil pressure pipe           |          | SN-2071064646 |
| 13  | 477986   | 1   | Oil pressure pipe           |          | SN2071064647- |
| 14  | 48634    | 1   | Hollow screw                |          |               |
| 15  | 947281   | 2   | Gasket                      |          | SN-2071064646 |
|     | 11994    | 2   | Gasket                      |          | SN2071064647- |
| 16  | 48634    | 1   | Hollow screw                |          | SN-2071064646 |
|     | 969299   | 1   | Hollow screw                |          | SN2071064647- |
| 16A | 479958   | 1   | Elbow nipple                |          | Early type    |
| 16B | 954364   | 1   | Sleeve                      |          | Early type    |
| 16C | 954356   | 1   | Fitting nut                 |          | Early type    |
| 17  | 947281   | 2   | Gasket                      |          | SN-2071064646 |
|     | 11994    | 2   | Gasket                      |          | SN2071064647- |
| 18  | (477773) | 1   | Shelf                       |          |               |
| 19  | 865274   | 1   | Oil return pipe             |          | SN2071074713- |
| 20  | 48634    | 1   | Hollow screw                |          | SN2071074713- |
| 21  | 907132   | 2   | Gasket                      |          | SN2071074713- |
| 22  | 25167    | 1   | Hollow screw                |          | SN2071074713- |
| 23  | 969011   | 2   | Gasket                      |          | SN2071074713- |
| 24  | 947191   | 1   | Clamp                       |          | SN2071074713- |
| 25  | 946471   | 1   | Flange screw                |          | SN2071074713- |
| 26  | 3826927  | 1   | Oil return pipe             |          | SN-2071074712 |
| 27  | 25167    | 2   | Hollow screw                |          | SN-2071074712 |
| 28  | 969011   | 4   | Gasket                      |          | SN-2071074712 |
| 29  | 942542   | 1   | Clamp                       |          | SN-2071074712 |
| 30  | 946471   | 1   | Flange screw                |          | SN-2071074712 |
| 31  | 18387    | 1   | Clamp                       |          | SN-2071074712 |
| 32  | 944926   | 1   | Flange screw                |          | SN-2071074712 |
| 33  | 849229   | 1   | Fuel pipe                   |          |               |
| 34  | 25167    | 1   | Hollow screw                |          |               |
| 35  | 969011   | 2   | Gasket                      |          |               |
| 36  | 965189   | 4   | Flange screw                |          |               |
| 37  | 190509   | 4   | Washer                      |          |               |
| 38  | 417588   | 3   | Guide sleeve                |          |               |
| 39  | 965185   | 4   | Flange screw                |          |               |
| 40  | 941908   | 4   | Spring washer               |          |               |
| 41  | 865737   | 2   | Fuel hose                   |          |               |
| 42  | 956969   | 4   | • Ferrule                   |          |               |
| 42A | 956969   | 2   | Ferrule                     |          |               |
| 43  | 956983   | 4   | • Fitting nut               |          |               |
| 44  | 3826159  | 1   | Bracket                     |          |               |
| 45  | 969313   | 2   | Flange screw                |          |               |
| 46  | 822779   | 2   | Spacer sleeve               |          |               |
| 47  | 3828983  | 1   | Fuel valve                  |          |               |
| 47A | 941754   | 4   | • Nipple                    |          |               |
| 48  | 3828981  | 1   | • Gasket kit                |          |               |
| 49  | 3825240  | 1   | • Magnet                    |          |               |
| 50  | 3828979  | 1   | • Valve                     |          |               |

I-D7-A-230-54163200

47157

Upd:9/5/2022

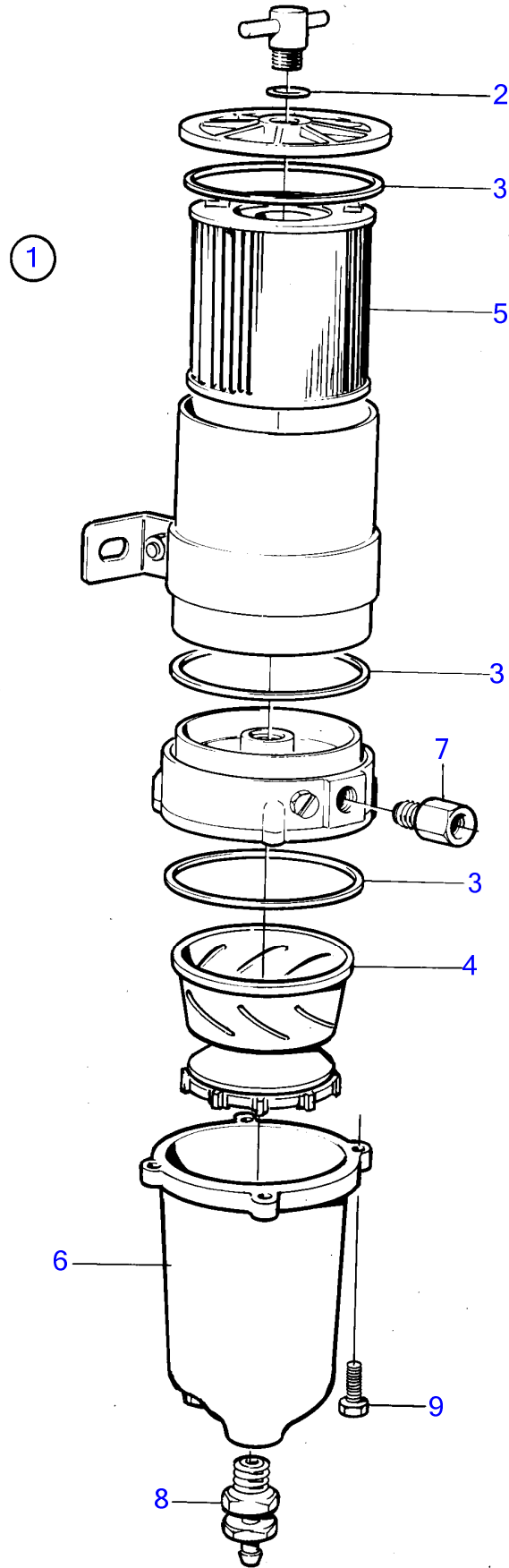
TAD730G, TAD730P, TAD730V, TAD740GE, TAD741GE, TD710G, TD71A, TD71FSQ, TD730ME, TD730VE, TD73ES, TID71A, TWD710G, TWD710P, TWD71



TWD710V

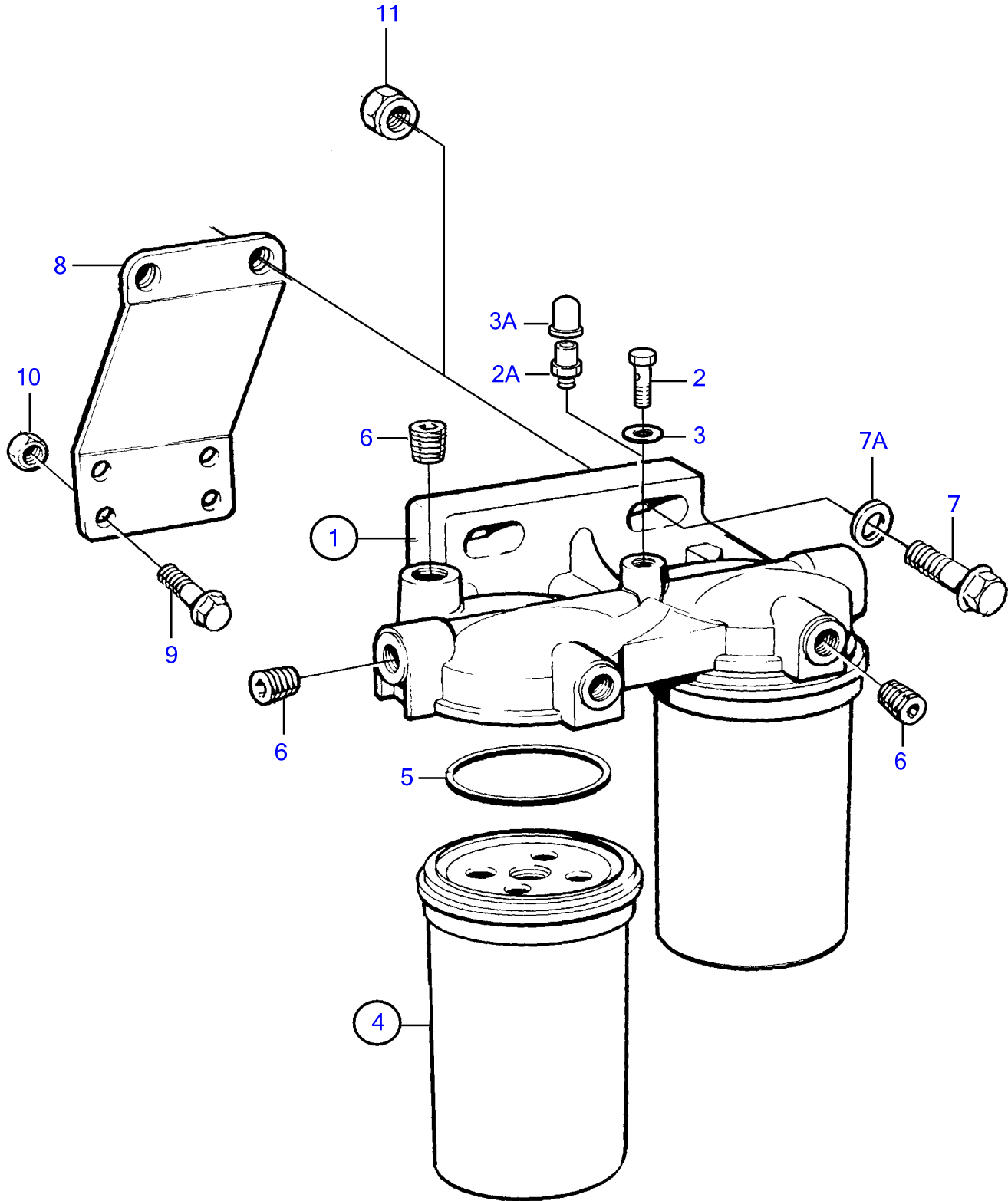
| REF | PART NO. | QTY | DESCRIPTION                           | SEE SEC. | NOTES  |
|-----|----------|-----|---------------------------------------|----------|--|
| 1   | 3826154  | 1   | Injection pump                        |          |  |
|     | 3803739  | 1   | Injection pump                        |          |  |
| 1B  |          | 1   | Pump companion                        | 54142698 |  |
| 2   | (477773) | 1   | Shelf                                 |          |  |
| 3   | 965185   | 4   | Flange screw                          |          |  |
| 4   | 417588   | 2   | Guide sleeve                          |          |  |
| 5   | 965189   | 4   | Flange screw                          |          |  |
| 6   | 941908   | 4   | Spring washer                         |          |  |
| 7   | 3825848  | 1   | Hose                                  |          | Stop solenoid energized to run., Alt                 |
| 7A  | 3825848  | 1   | Hose                                  |          | Stop solenoid energized to stop., Alt                |
| 8   | 3826284  | 1   | Hose                                  |          |  |
| 9   | 3825670  | 1   | Hose                                  |          |  |
| 10  | 3827019  | 1   | Hose                                  |          | Stop solenoid energized to run., Alt                 |
| 10A | 3827019  | 1   | Hose                                  |          | Stop solenoid energized to stop., Alt                |
| 11  | 941754   | 4   | Nipple                                |          |  |
| 12  | 969011   | 10  | Gasket                                |          |  |
| 13  | 25167    | 2   | Hollow screw                          |          |  |
| 14  |          | 1   | Fuel filter, with installation comps. | 54164294 |  |
| 15  | 969011   | 1   | Gasket                                |          |  |
| 16  | 25167    | 1   | Hollow screw                          |          |  |
| 17  | 477986   | 1   | Oil pressure pipe                     |          |  |
| 18  | 11994    | 1   | Gasket                                |          |  |
| 19  | 969299   | 1   | Hollow screw                          |          |  |
| 20  | 947281   | 2   | Gasket                                |          |  |
| 21  | 48634    | 1   | Hollow screw                          |          |  |
| 22  | 952623   | 1   | Clamp                                 |          |  |
| 23  | 946544   | 1   | Flange screw                          |          |  |
| 24  | 945407   | 1   | Flange nut                            |          |  |
| 34  | 866698   | 1   | Valve                                 |          | 12V repl by 3828982                                  |
|     | 866699   | 1   | Valve                                 |          | 24V repl by 3828983                                  |
|     | 3828982  | 1   | Fuel valve                            |          | Incl 4 ea nipple 941754 and 4 ea gasket 969011., 12V |
|     | 3828983  | 1   | Fuel valve                            |          | Incl 4 ea nipple 941754 and 4 ea gasket 969011., 24V |
| 34A | 3825235  | 1   | • Valve                               |          |  |
| 34B |          | 1   | • Nut                                 |          |  |
| 35  | 3828981  | 1   | • Gasket kit                          |          |  |
| 36  | 3825239  | 1   | • Magnet                              |          | 12V  |
|     | 3825240  | 1   | • Magnet                              |          | 24V  |
| 37  | 866927   | 1   | Cable kit                             |          |  |
| 37A | 866664   | 1   | • Housing                             |          |  |
| 37B | 3888619  | 1   | • Grommet                             |          |  |
| 38  | 947760   | 1   | Flange screw                          |          |  |
| 39  | 191172   | 1   | Washer                                |          |  |
| 40  | 3826159  | 1   | Bracket                               |          |  |
| 41  | 977677   | 1   | Nipple                                |          |  |
| 42  | 3825770  | 1   | Fuel pipe                             |          |  |
| 42A | 956969   | 1   | Ferrule                               |          |  |
| 43  | 956983   | 1   | Fitting nut                           |          |  |
| 44  | 865274   | 1   | Oil return pipe                       |          |  |
| 45  | 947281   | 2   | Gasket                                |          |  |
| 46  | 48634    | 1   | Hollow screw                          |          | Included in kit 866997.                              |
| 47  | 969011   | 2   | Gasket                                |          | Included in kit 866997.                              |
| 48  | 25167    | 1   | Hollow screw                          |          | Included in kit 866997.                              |
| 49  | 947191   | 1   | Clamp                                 |          | Included in kit 866997.                              |
| 50  | 946471   | 1   | Flange screw                          |          |  |
| 51  | 9205207  | 3   | Retainer                              |          |  |
| 52  | 3826284  | 1   | Hose                                  |          |  |
| 53  | 969011   | 1   | Gasket                                |          |  |
| 54  | 25167    | 1   | Hollow screw                          |          |  |
| 55  | 957055   | 1   | Nipple                                |          |  |
| 56  | 3825770  | 1   | Fuel pipe                             |          |  |
| 57  | 956969   | 1   | Ferrule                               |          |  |
| 58  | 956983   | 1   | Fitting nut                           |          |  |
| 59  | 969011   | 1   | Gasket                                |          |  |

TAD730G, TAD740GE, TAD741GE, TD710G, TWD710G, TWD740GE

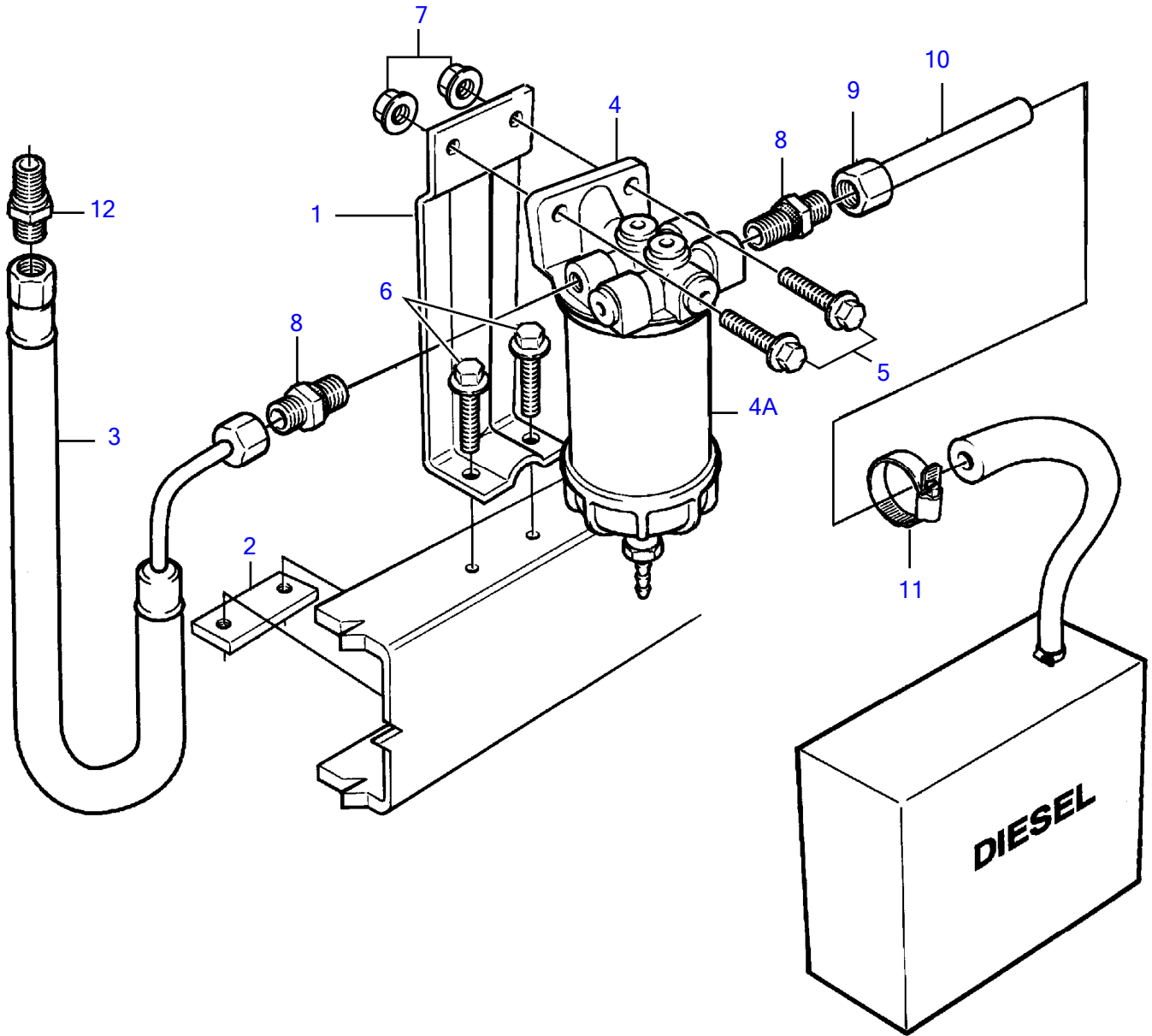


16650

TD730ME, TWD730ME



TAD730V, TD71A, TD730VE, TID71A, TWD710V, TWD731VE, TWD740VE



17313

TAD730G, TD710G, TWD710G

| REF | PART NO. | QTY | DESCRIPTION         | NOTES              |
|-----|----------|-----|---------------------|--------------------|
| 1   | 3825662  | 1   | Governor            |                    |
| 2   |          | 1   | • Lock              |                    |
| 3   | 11992560 | 1   | • Gasket            |                    |
| 4   | (239017) | 1   | • Shaft             |                    |
| 5   | 240374   | 2   | • Plug              |                    |
| 6   | 862814   | 1   | • O-ring            | For stop solenoid. |
| 7   | 848741   | 1   | • Cap               |                    |
| 8   | 848740   | 1   | • Sealing ring      |                    |
| 9   | (239040) | 1   | • Spring            |                    |
| 10  | 848220   | 1   | • Regulator weight  |                    |
| 11  | 1698168  | 1   | • Gasket            |                    |
| 12  |          | 1   | • Lever             |                    |
| 13  |          | 1   | • Regulator housing |                    |

I-D7-A-236-54159570

46343

Upd:9/5/2022

TAD730G, TAD730P, TAD730V, TAD740GE, TAD741GE, TD710G, TD71A, TD71FSQ, TD730ME, TD730VE, TD73ES, TID71A, TWD710G, TWD710P, TWD71

**VOLVO**  
**PENTA**

TD710G, TD730ME, TWD710G

| REF | PART NO. | QTY | DESCRIPTION      | NOTES     |
|-----|----------|-----|------------------|-----------|
| 1   | (420903) | 1   | Bearing housing  |           |
| 2   | 424580   | 1   | Sealing ring     |           |
| 3   | 471557   | 1   | Shaft            |           |
| 4   | 11013    | 1   | Ball bearing     |           |
| 5   | 469364   | 1   | Gear             |           |
| 6   | 469363   | 1   | Stop ring        |           |
| 7   | 181577   | 1   | Ball bearing     |           |
| 8   | 423074   | 1   | Washer           |           |
| 9   | 955274   | 6   | Hexagon screw    | M6        |
| 10  | 955892   | 6   | Washer           |           |
| 11  | 950586   | 1   | Pin              |           |
| 12  | 471558   | 3   | Screw            | M10       |
| 13  | 478297   | 1   | Gear             |           |
| 14  | 423123   | 1   | Sealing ring     |           |
| 15  | 948336   | 5   | Flange screw     | (946671)  |
| 16  | 471383   | 1   | Companion flange |           |
| 17  | 471368   | 1   | Spacer           |           |
| 18  | (471312) | 1   | Companion flange |           |
| 19  | 479459   | 6   | Flexplate        |           |
| 20  | 946470   | 8   | Flange screw     |           |
| 21  | 945408   | 8   | Flange nut       |           |
| 22  | 976944   | 8   | Washer           | (966674)  |
| 23  | 479460   | 8   | Washer           | 12x24x2mm |
| 24  | 478896   | 8   | Guide sleeve     |           |
| 25  | 970878   | 1   | Hexagon screw    |           |
| 26  | 976945   | 1   | Washer           | (960148)  |
| 27  | 865291   | 1   | Protecting plate |           |
| 28  | 976944   | 3   | Washer           | (966674)  |
| 29  | 946470   | 3   | Flange screw     |           |
| 30  | 848684   | 1   | Spacer sleeve    |           |
| 31  | 865745   | 1   | Protecting plate |           |
| 32  | 965545   | 1   | Bracket          |           |
| 33  | 967949   | 2   | Flange screw     | (965175)  |
| 34  | 965227   | 1   | Flange screw     |           |
| 35  | 965552   | 1   | Bracket          |           |
| 36  | 946440   | 1   | Flange screw     |           |

I-D7-A-236-54149745

47146

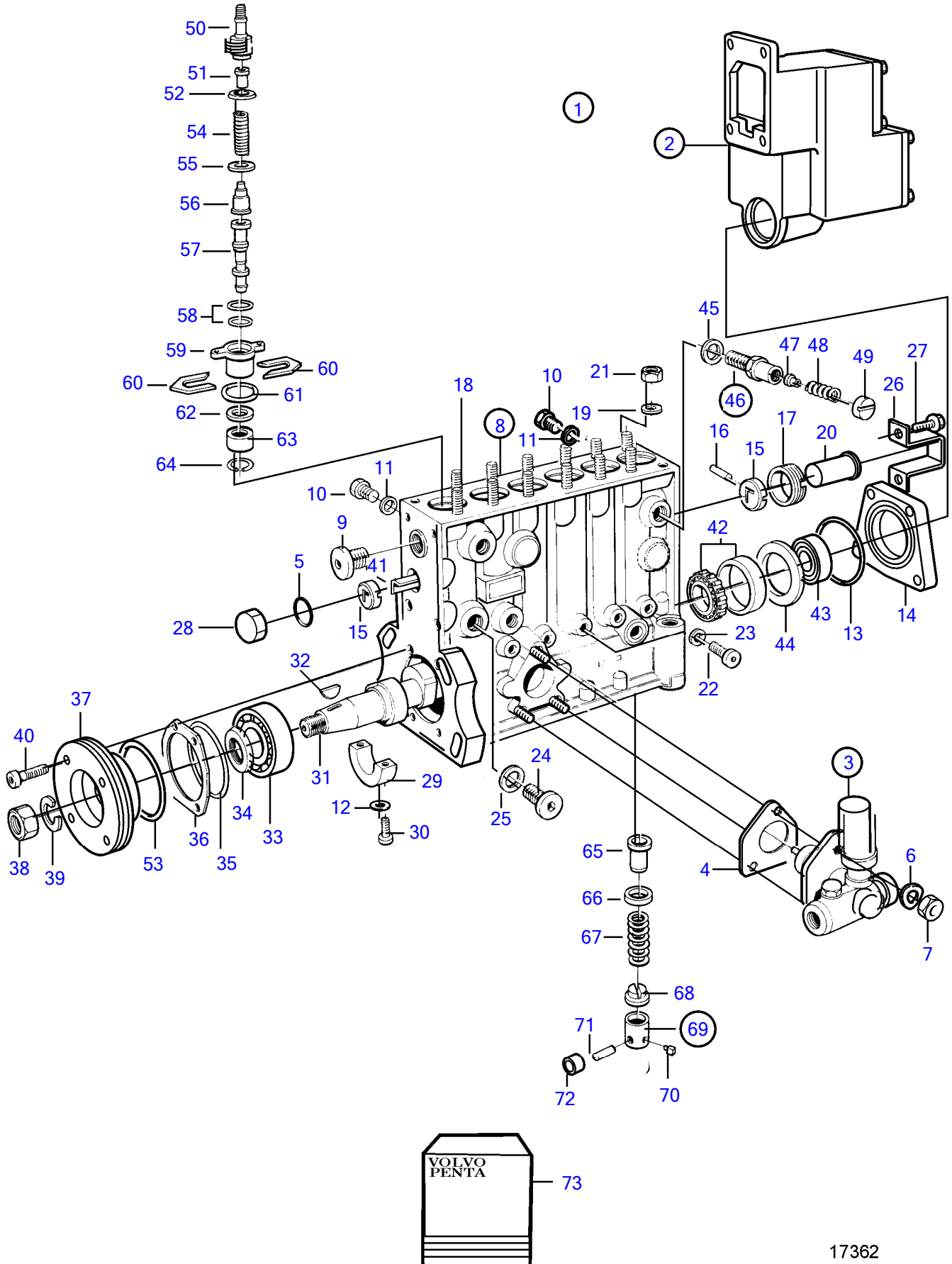
Upd:9/5/2022

TAD730G, TAD730P, TAD730V, TAD740GE, TAD741GE, TD710G, TD71A, TD71FSQ, TD730ME, TD730VE, TD73ES, TID71A, TWD710G, TWD710P, TWD71

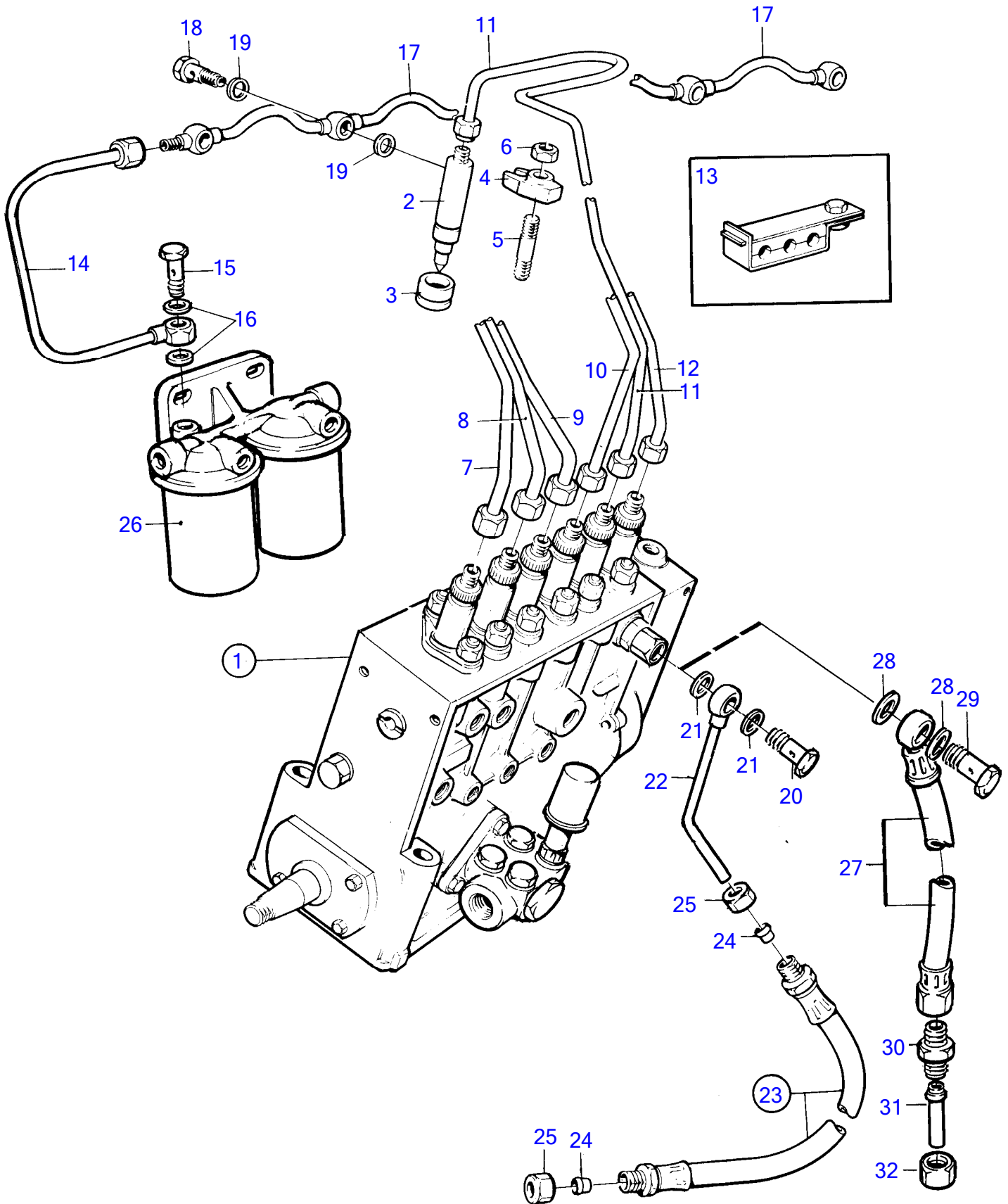
**VOLVO**  
**PENTA**



TAD740GE, TAD741GE, TWD740GE

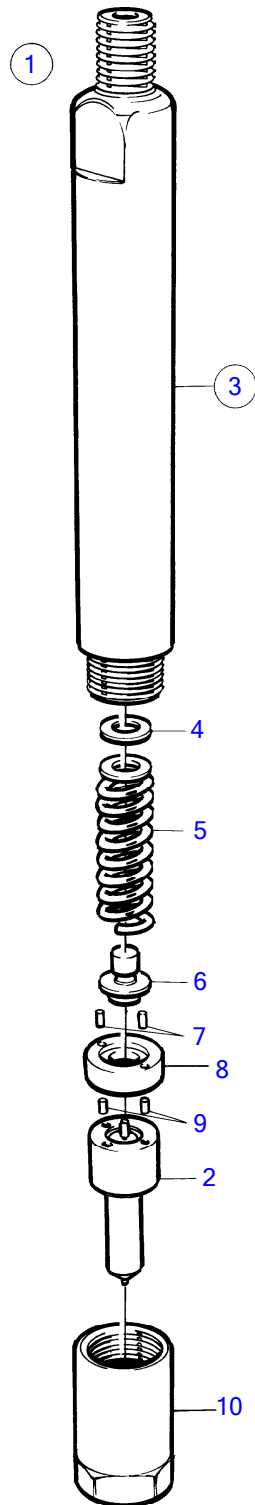


TD71A, TID71A, TWD710V



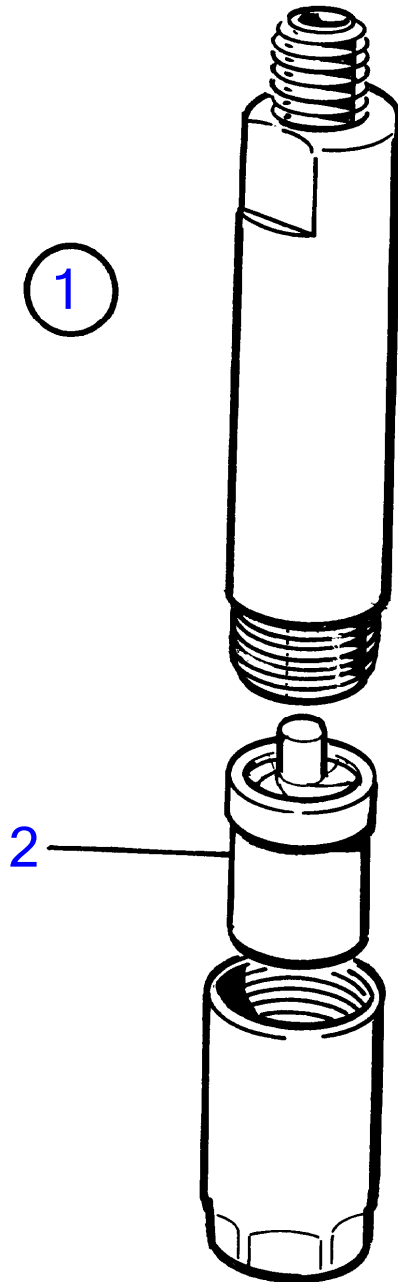
16897

TAD730G, TAD740GE, TAD741GE, TD710G, TWD710G, TWD740GE



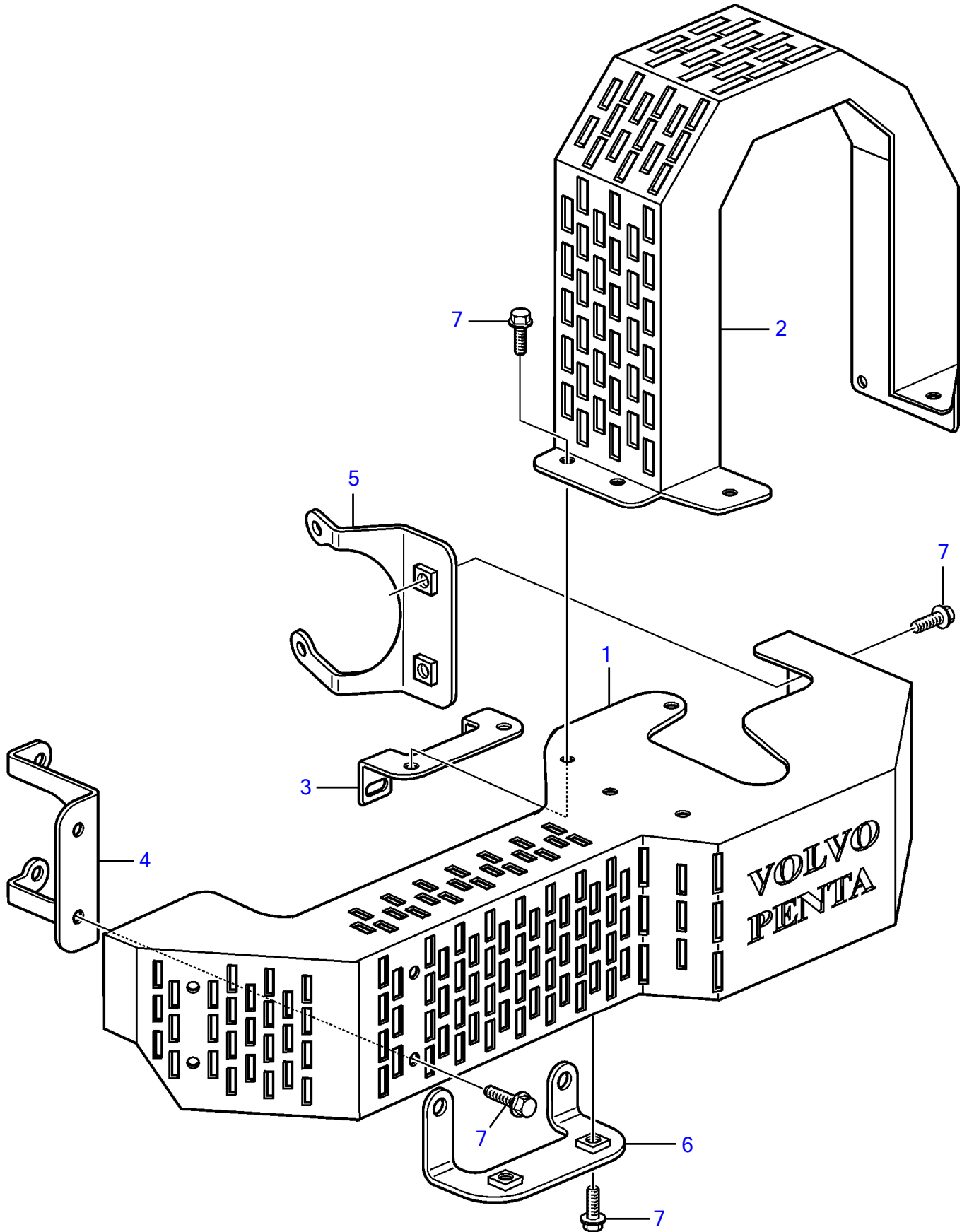
15452

TAD730V, TD71A, TD730ME, TD730VE, TID71A, TWD710V, TWD730ME

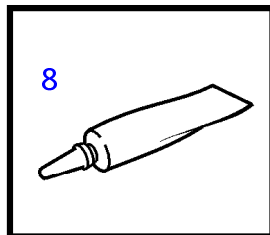
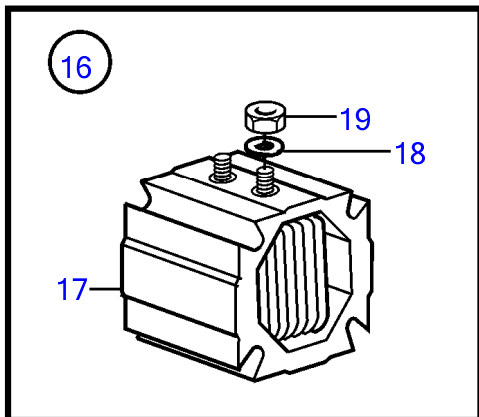
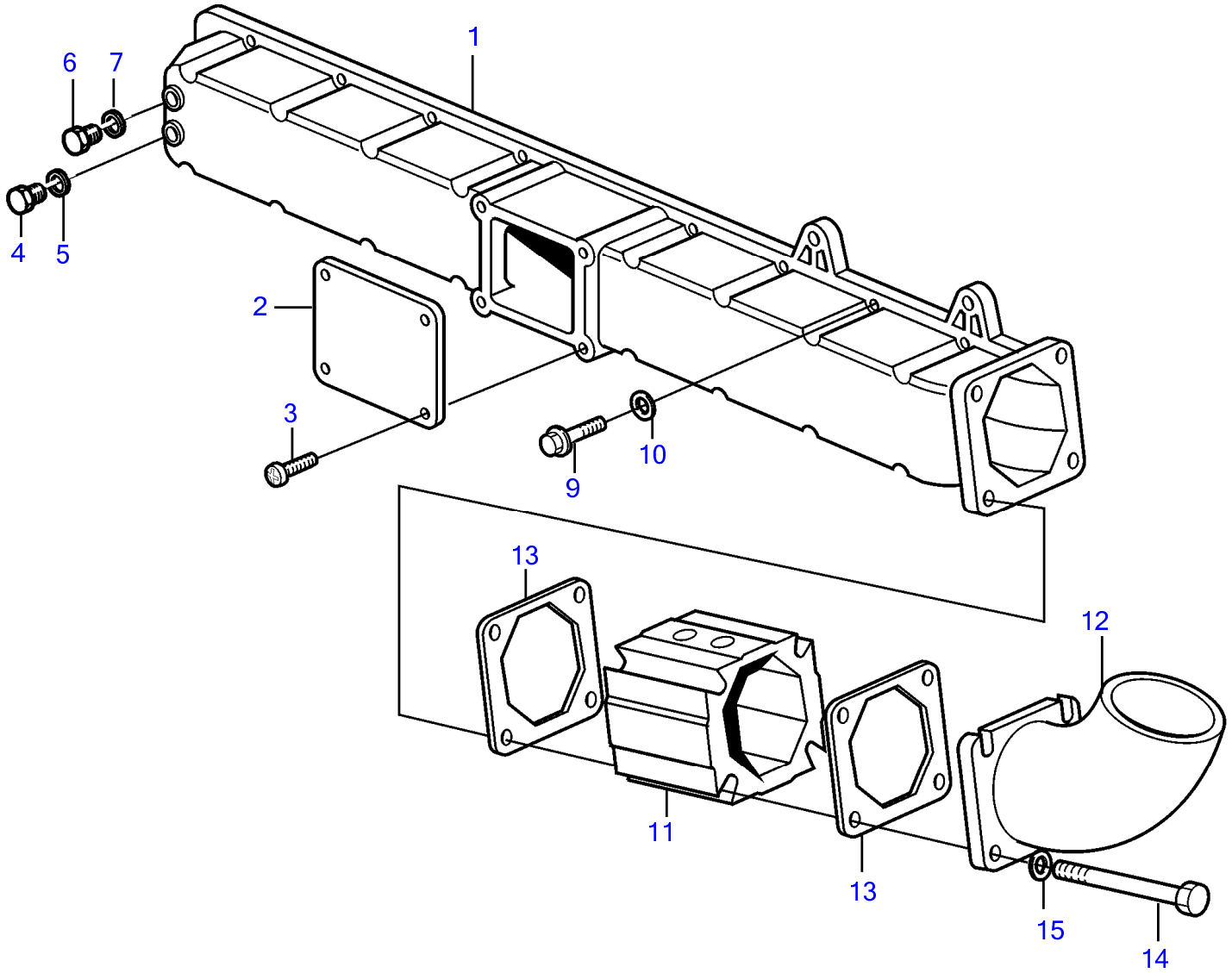


11613

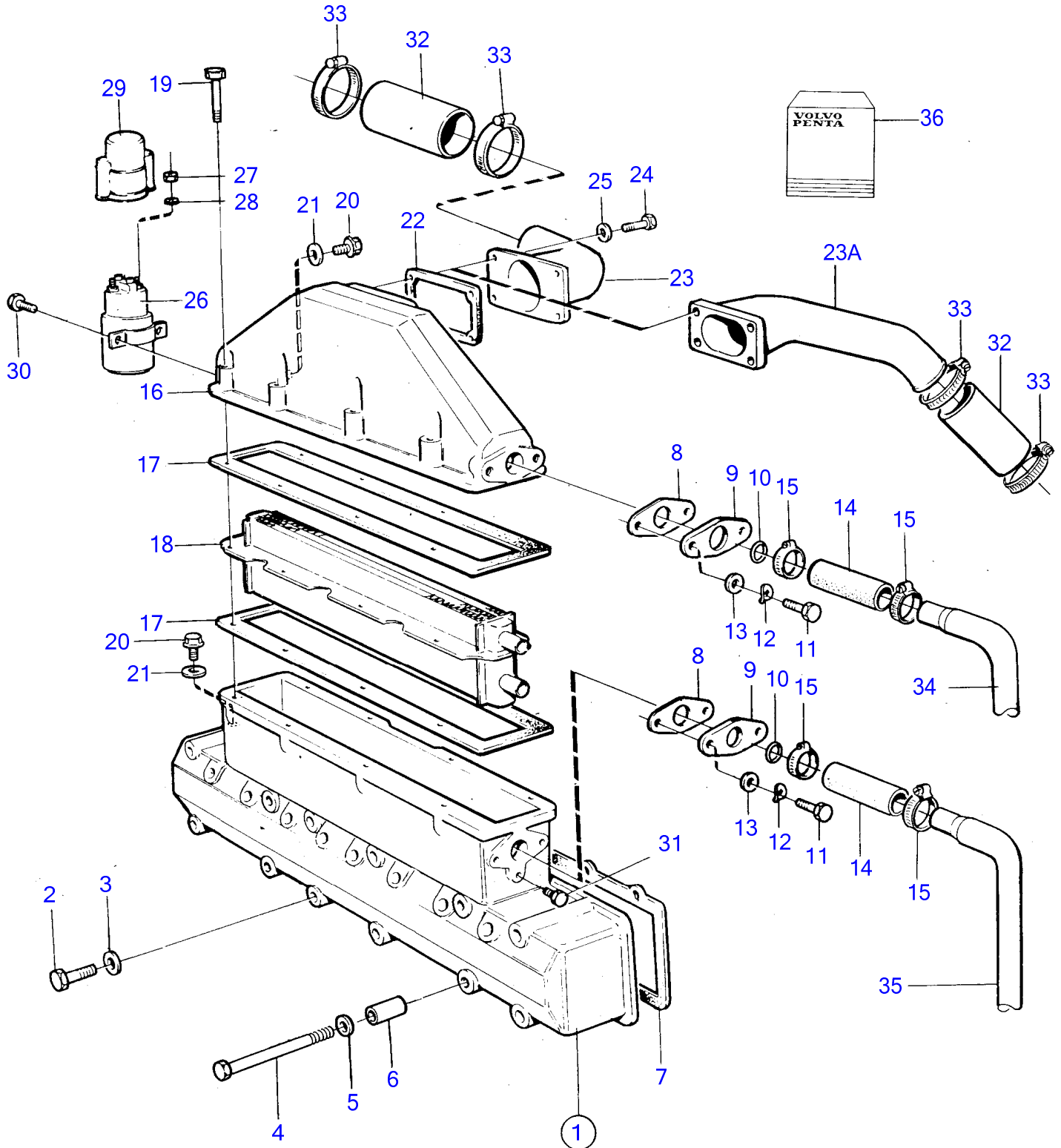
TAD730G, TWD710G



TAD740GE, TAD741GE

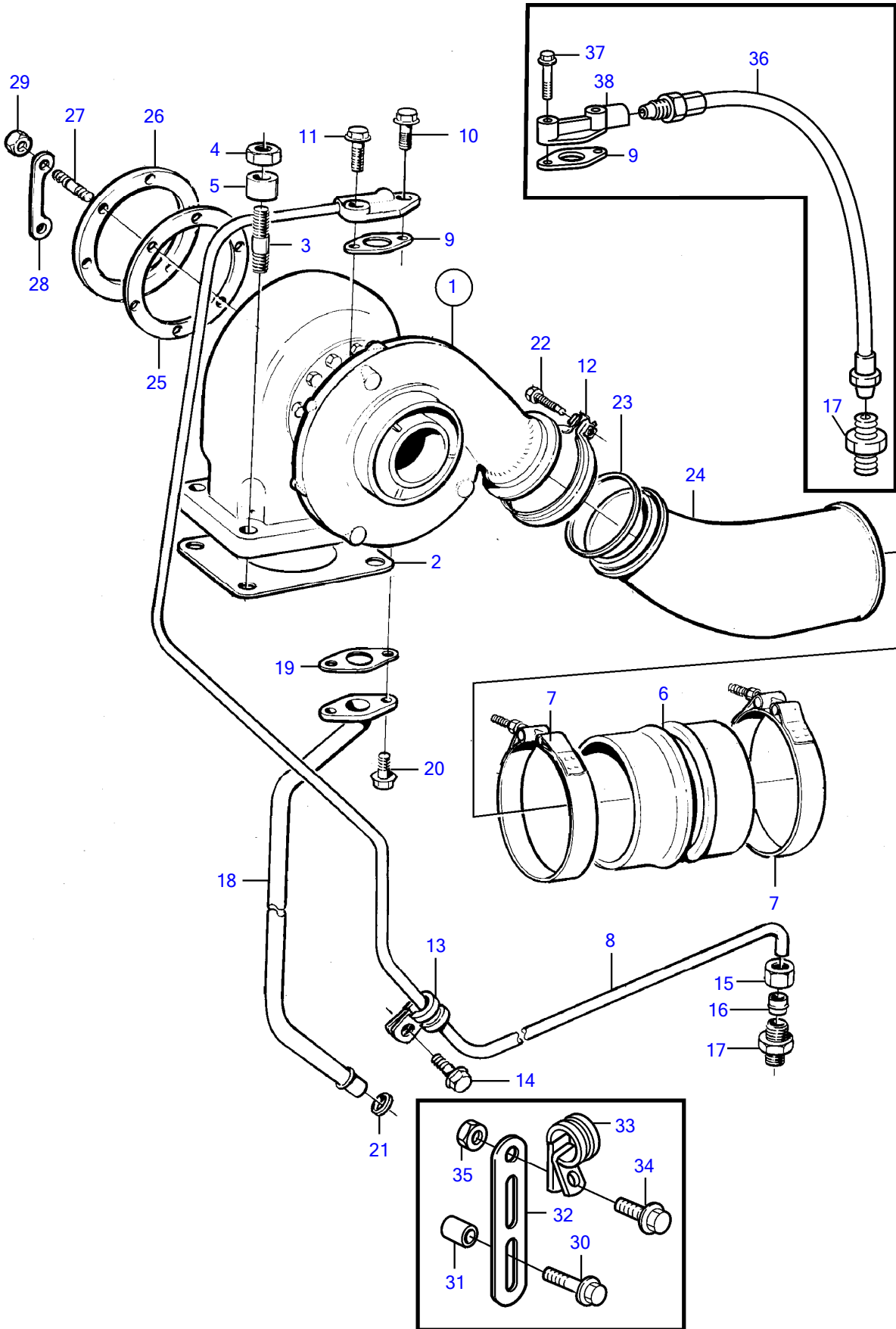


TID71A, TWD710V



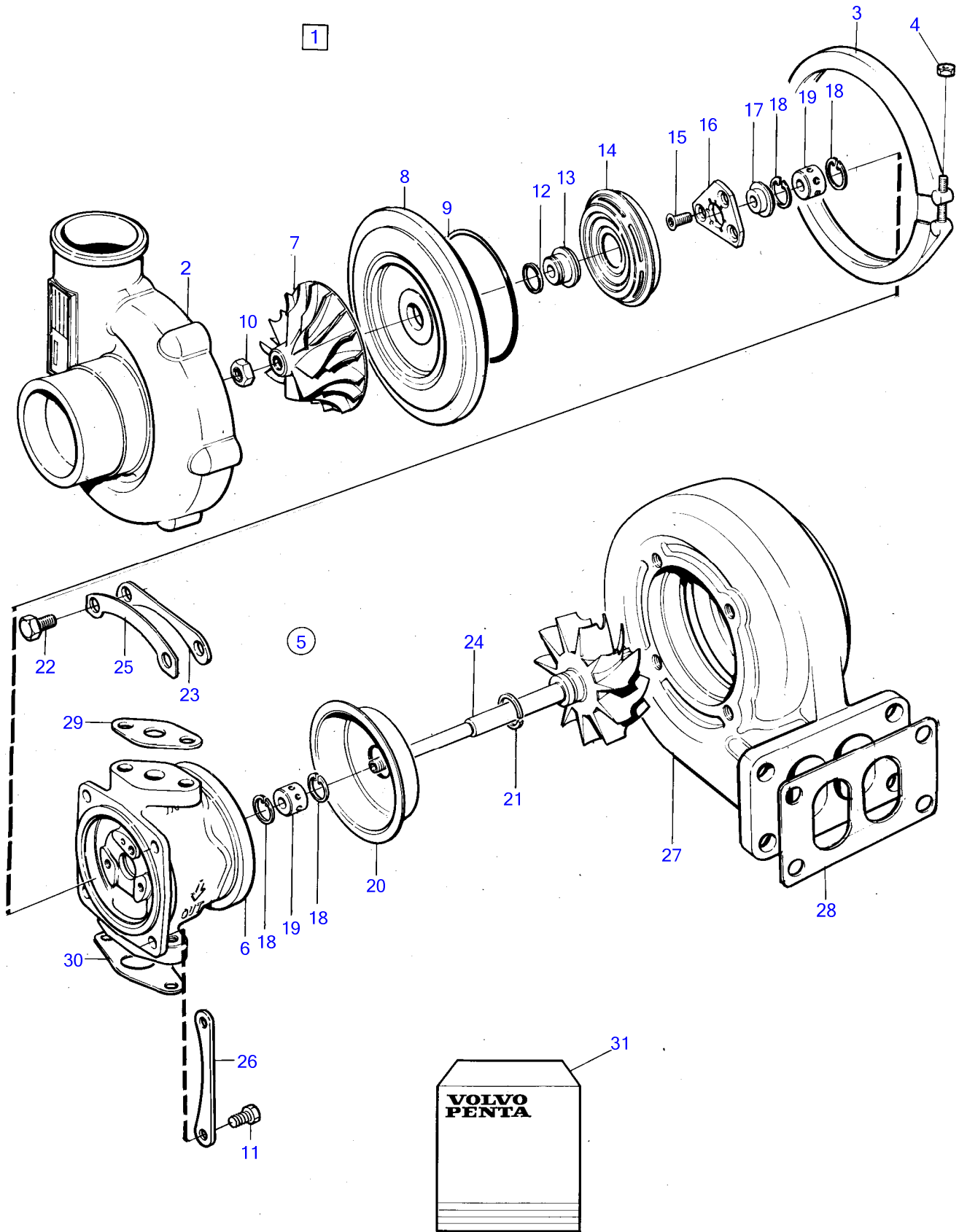


TAD730G, TAD730P



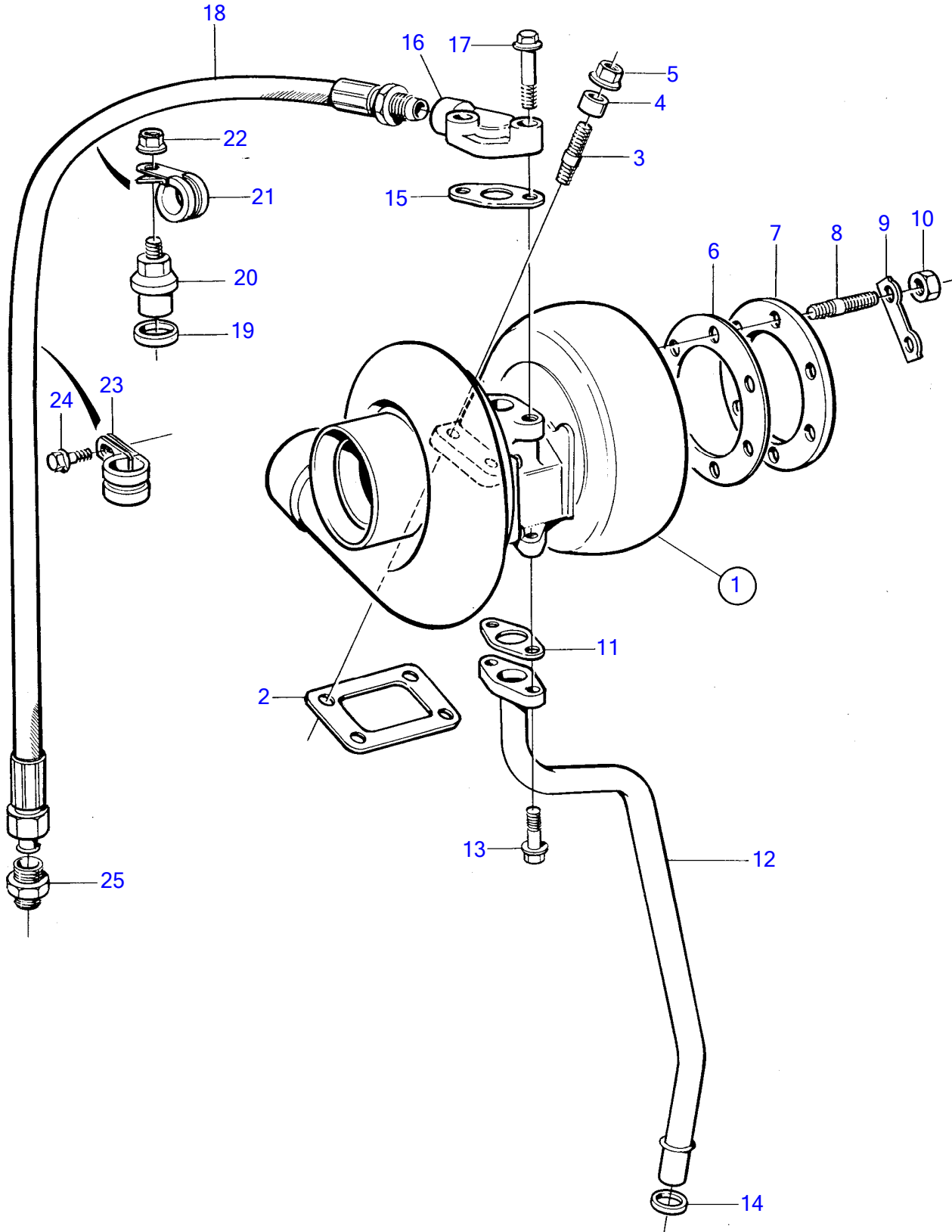
17329

TD71A, TD730ME, TD730VE, TID71A, TWD710V, TWD730ME, TWD731VE

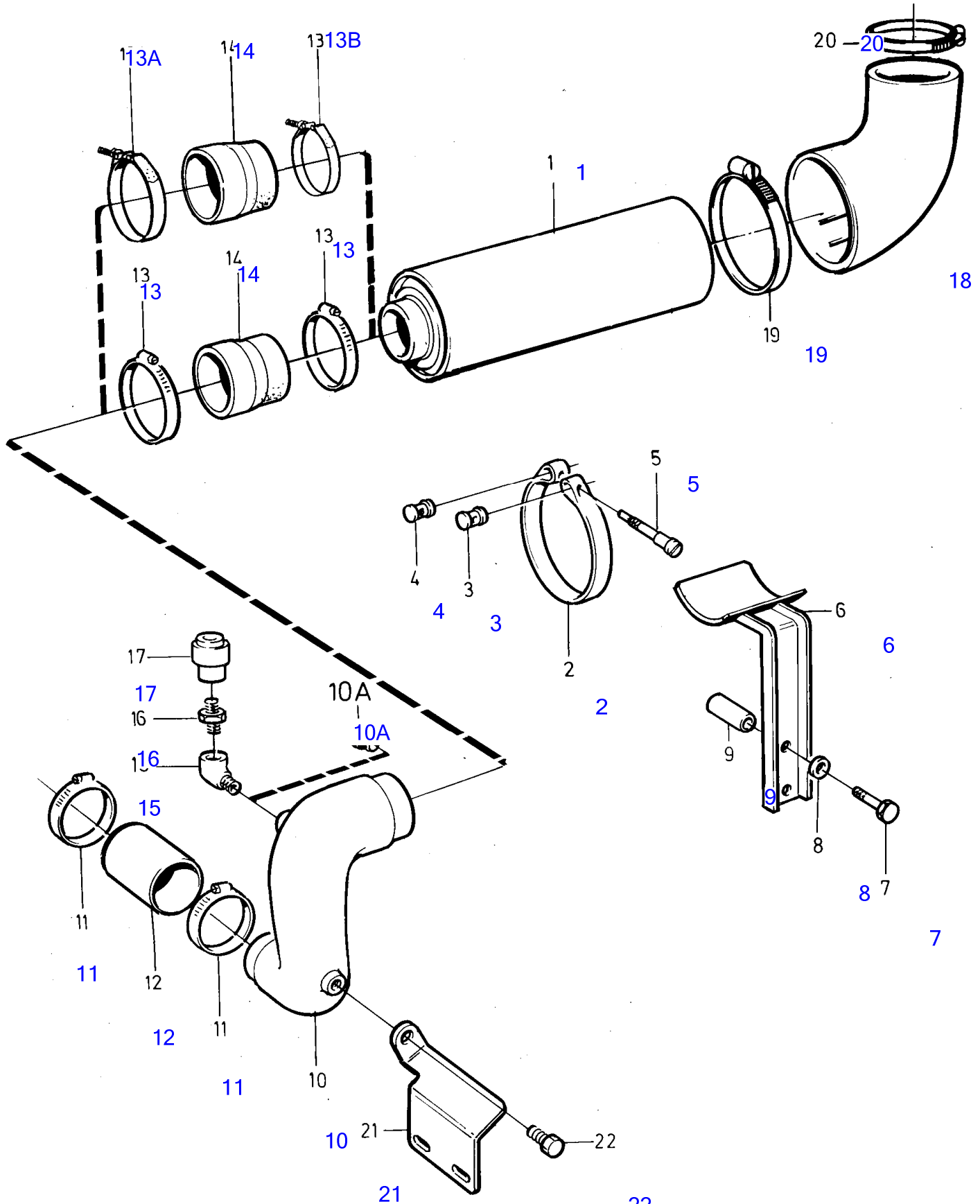


15511

TD730ME, TD730VE

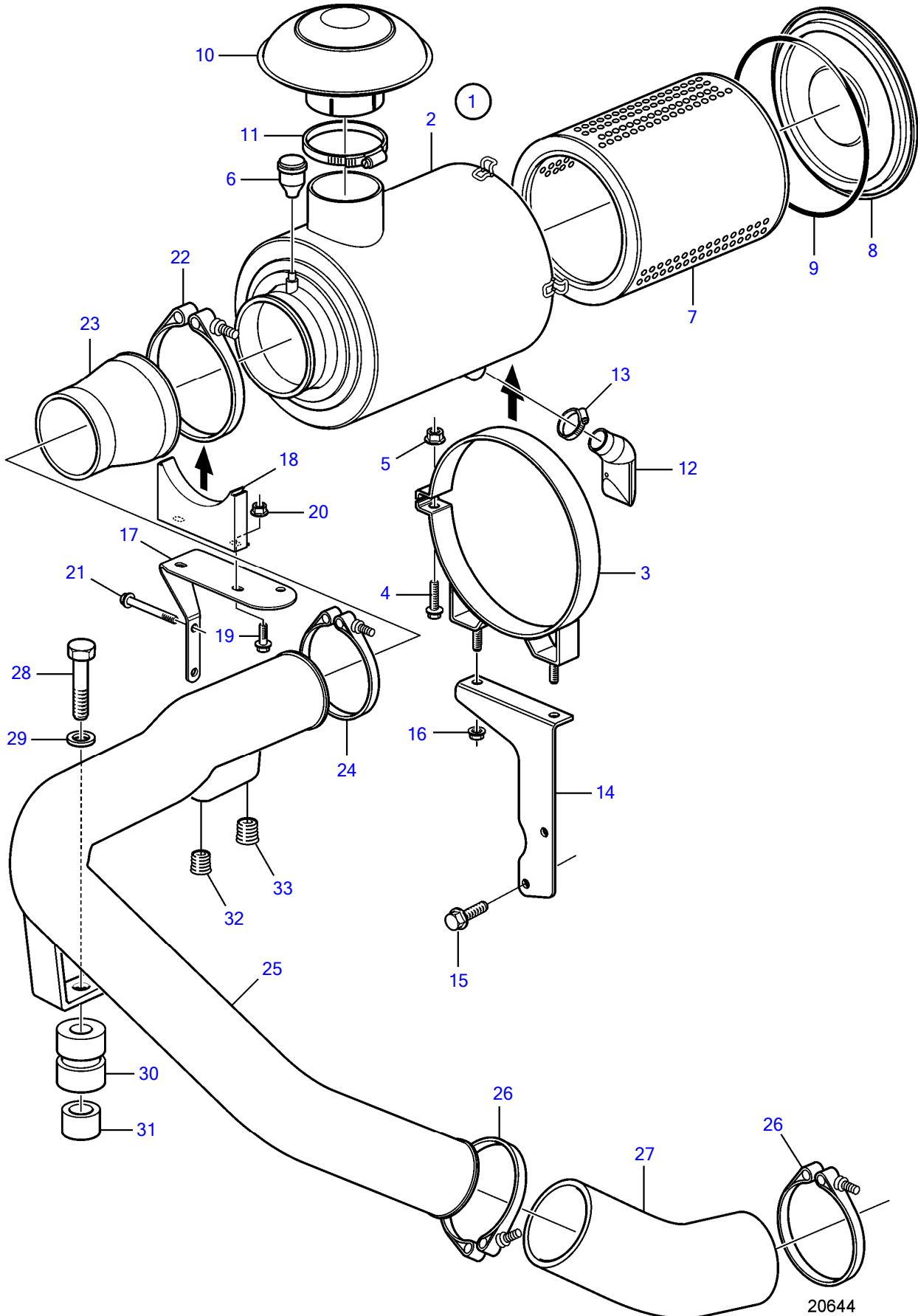


16523



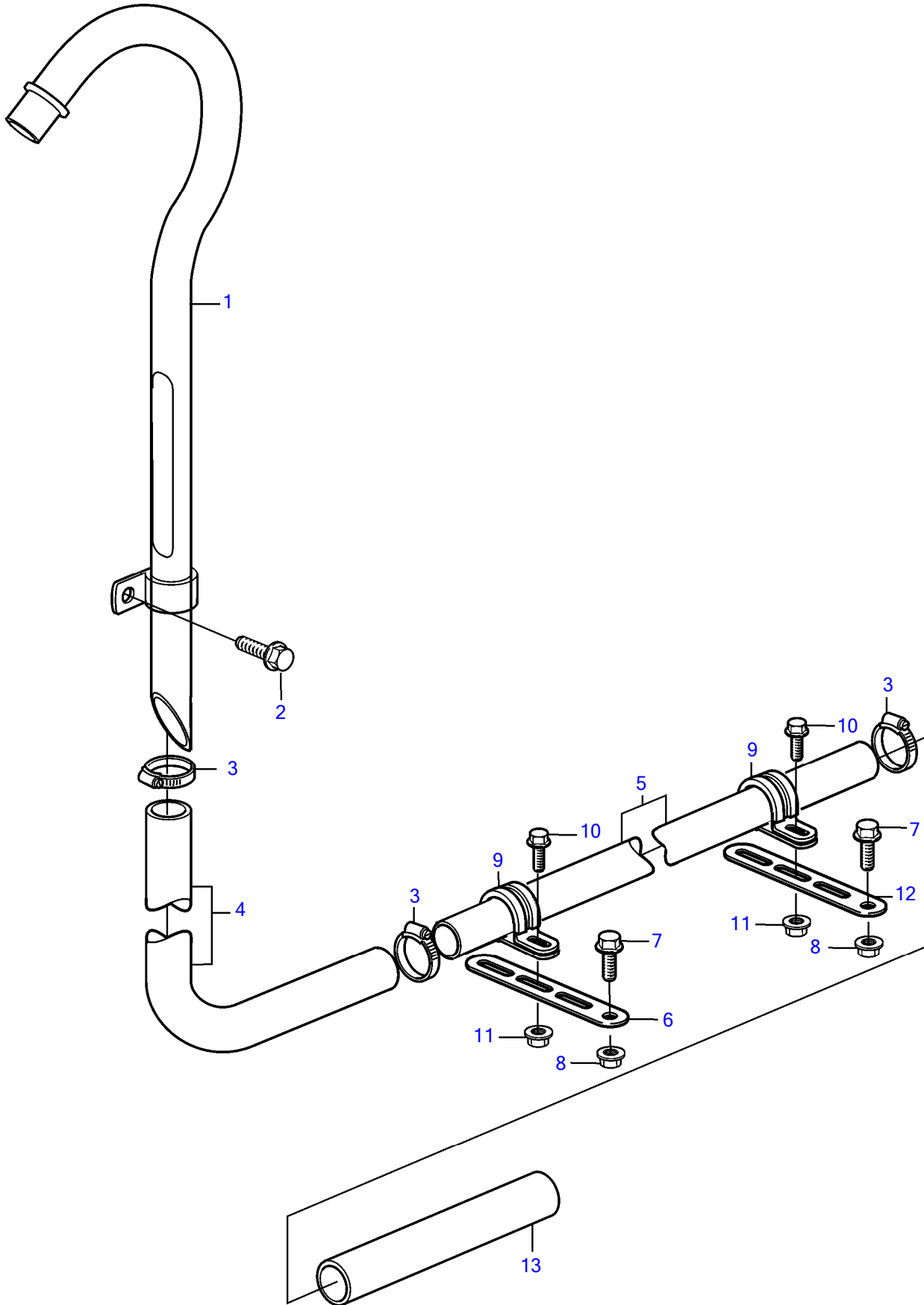
22 16708

TAD740GE, TAD741GE, TWD740GE, TWD740VE



20644

TAD740GE, TAD741GE, TWD740GE



CLICK HERE TO **DOWNLOAD** THE COMPLETE MANUAL

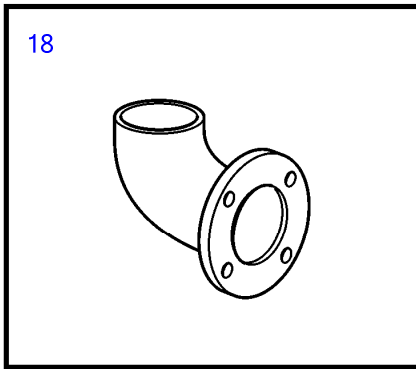
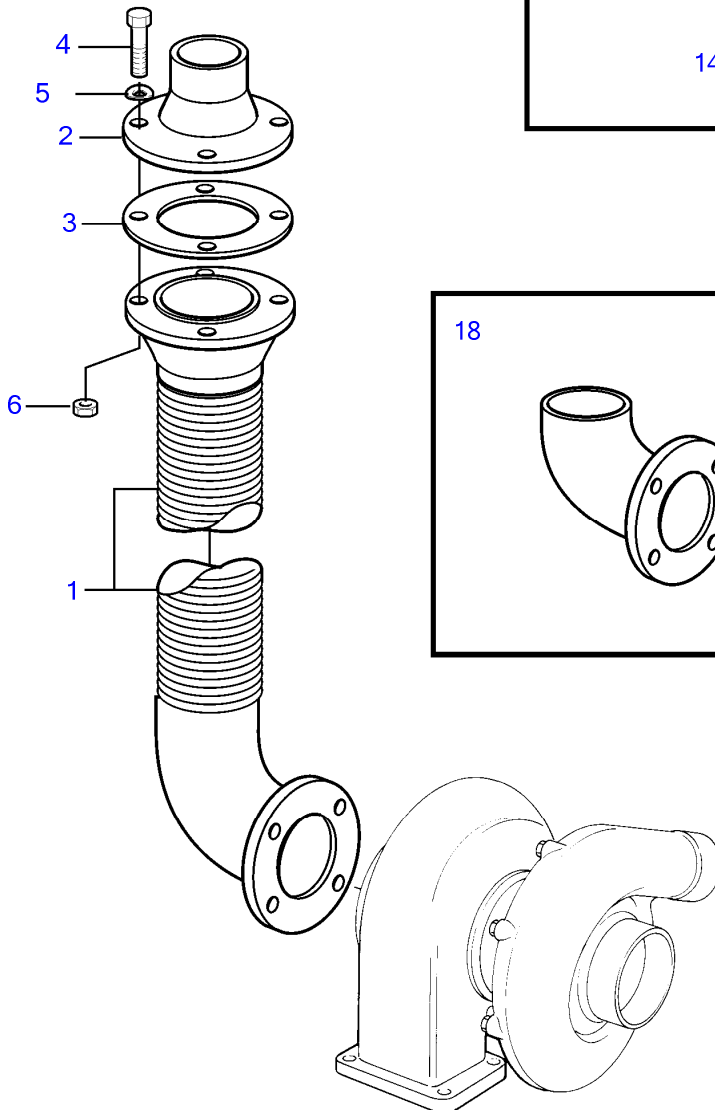
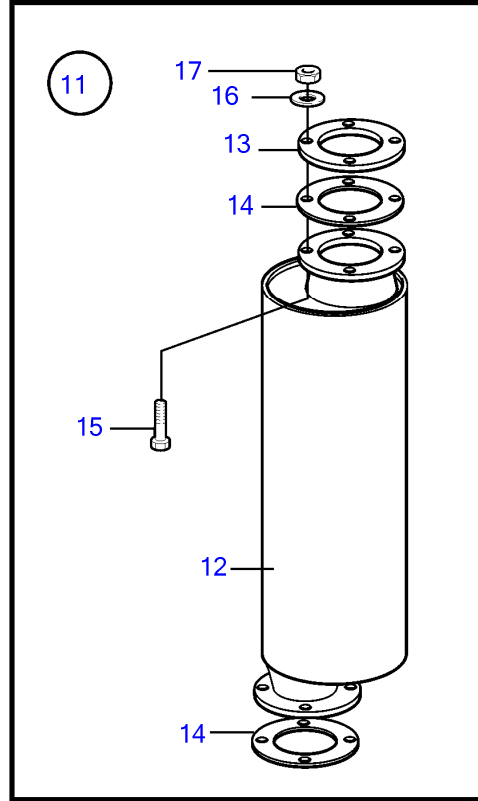
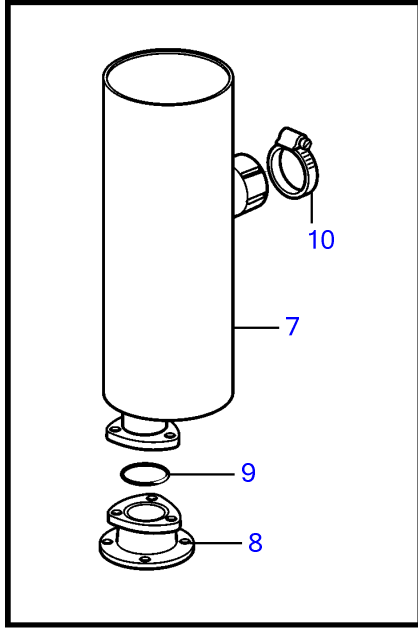
- Thank you very much for reading the preview of the manual.
- You can download the complete manual from: [www.heydownloads.com](http://www.heydownloads.com) by clicking the link below



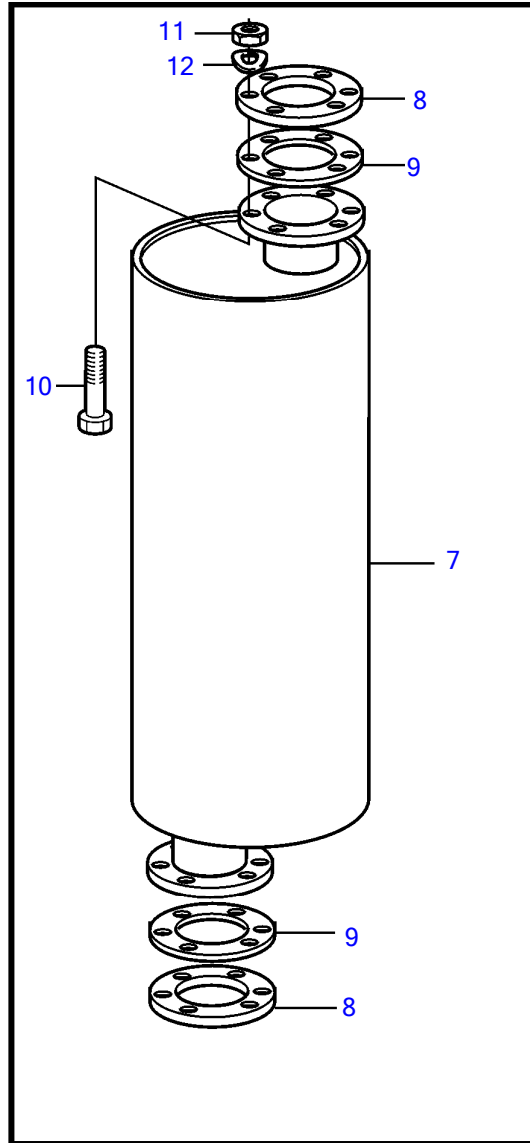
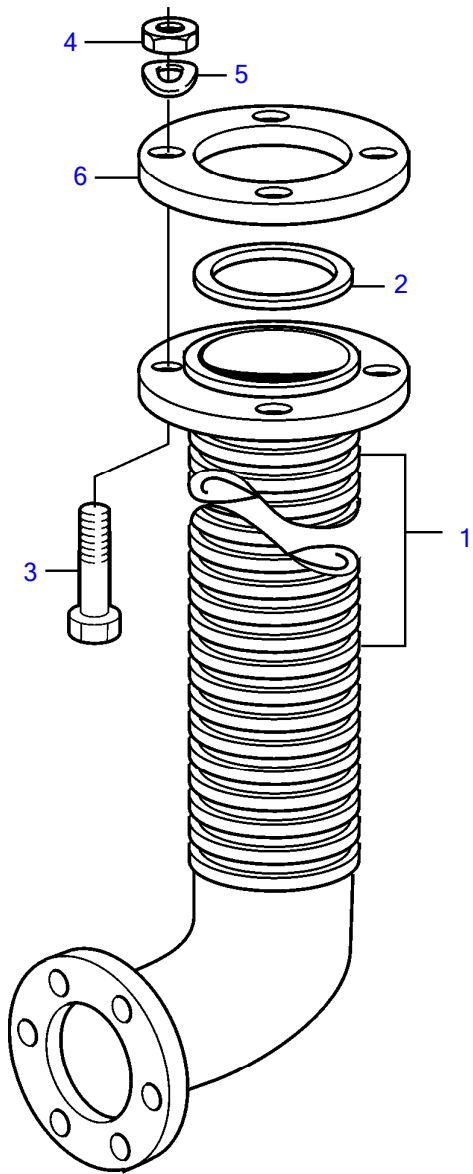
- Please note: If there is no response to CLICKING the link, please download this PDF first and then click on it.

CLICK HERE TO **DOWNLOAD** THE COMPLETE MANUAL

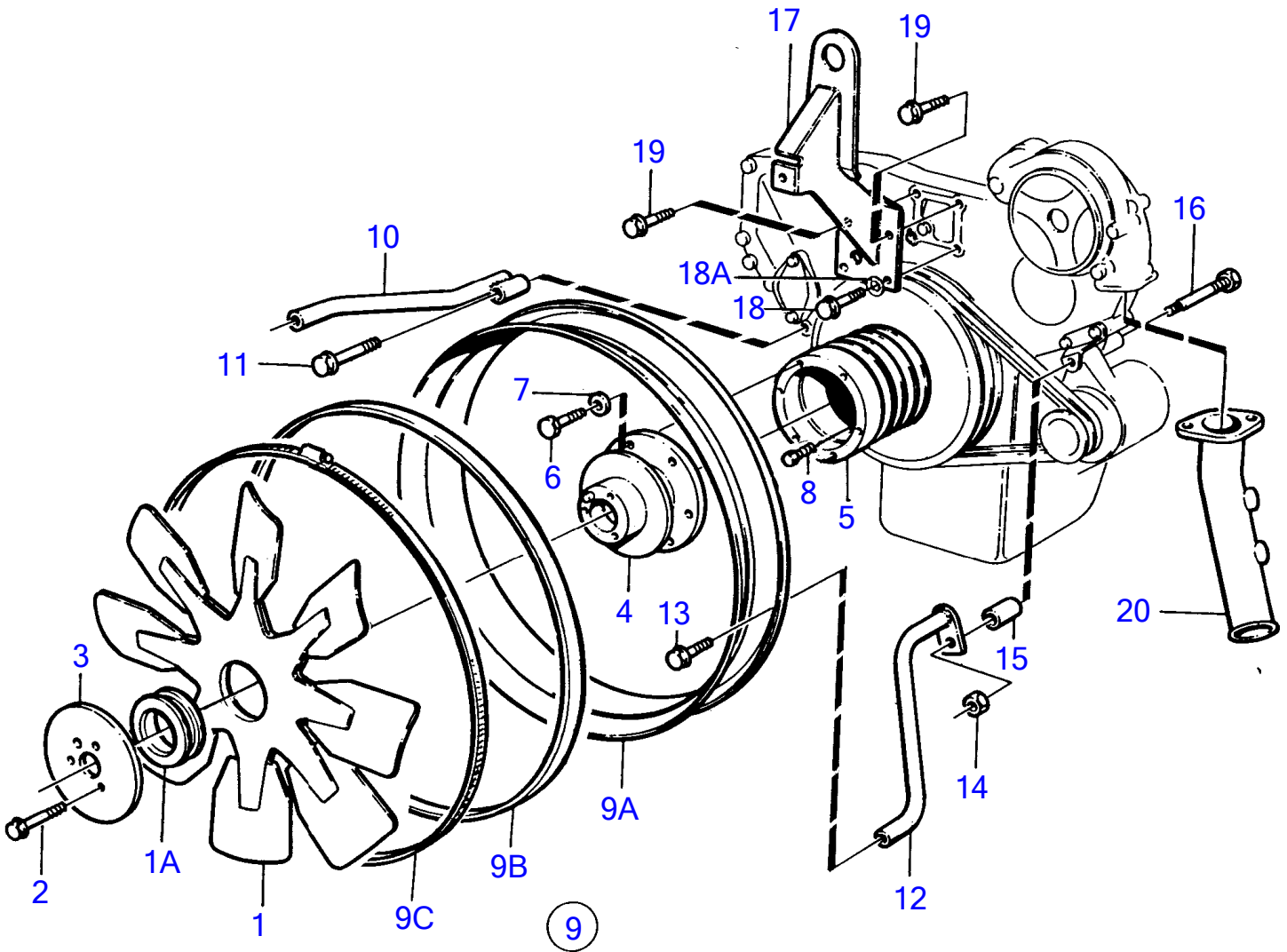
TD710G, TWD710G



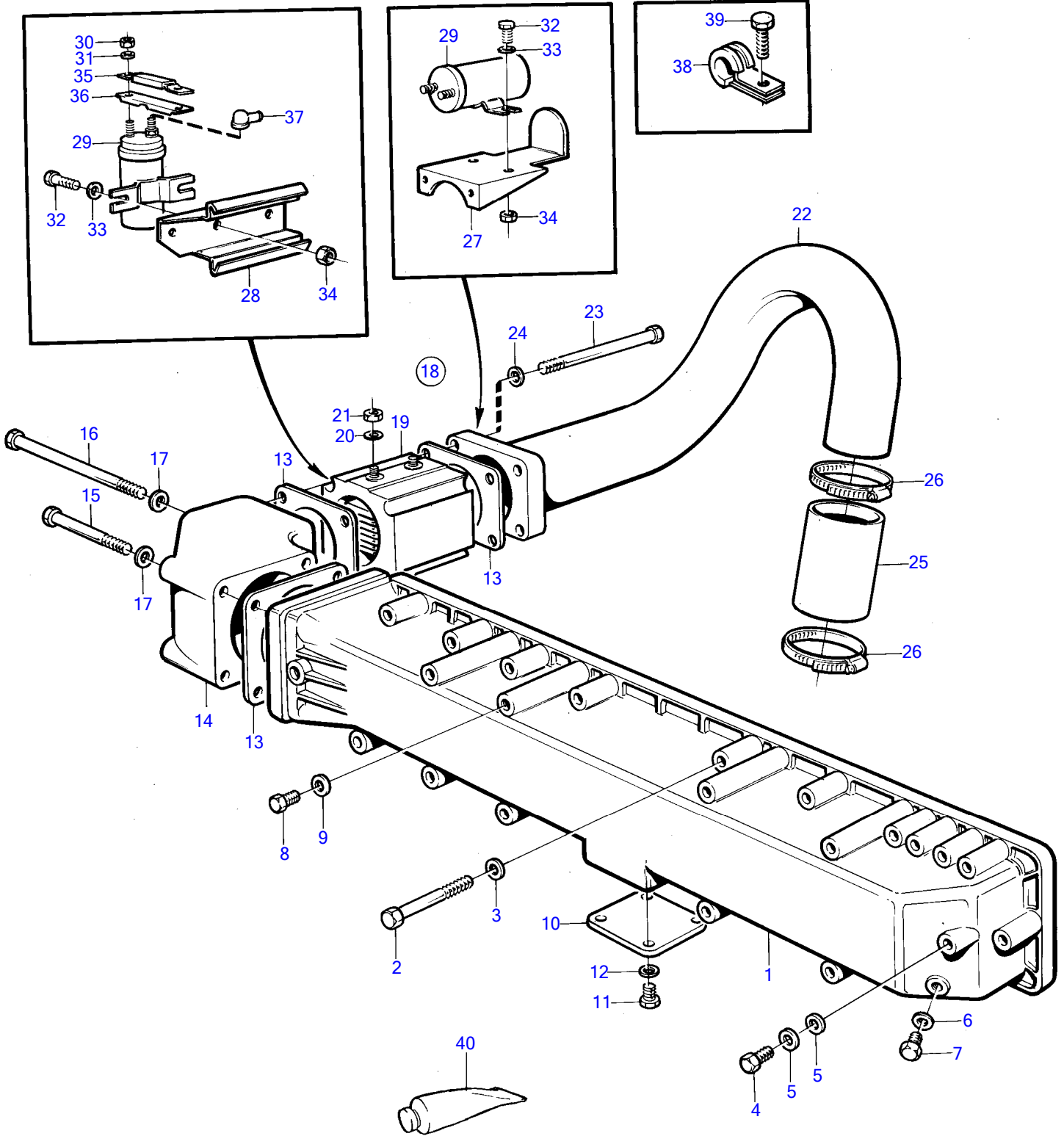
17331



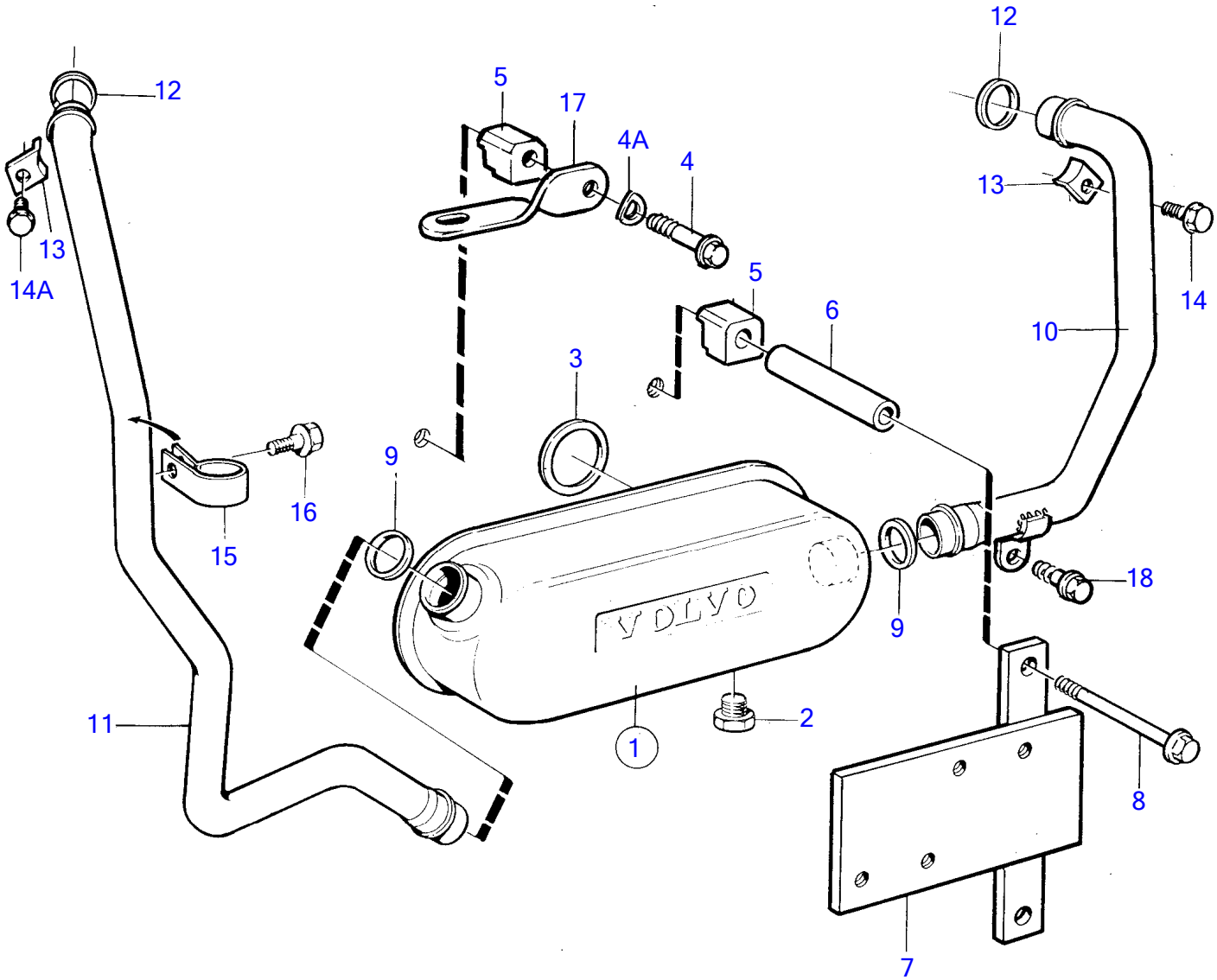
TD71A, TID71A



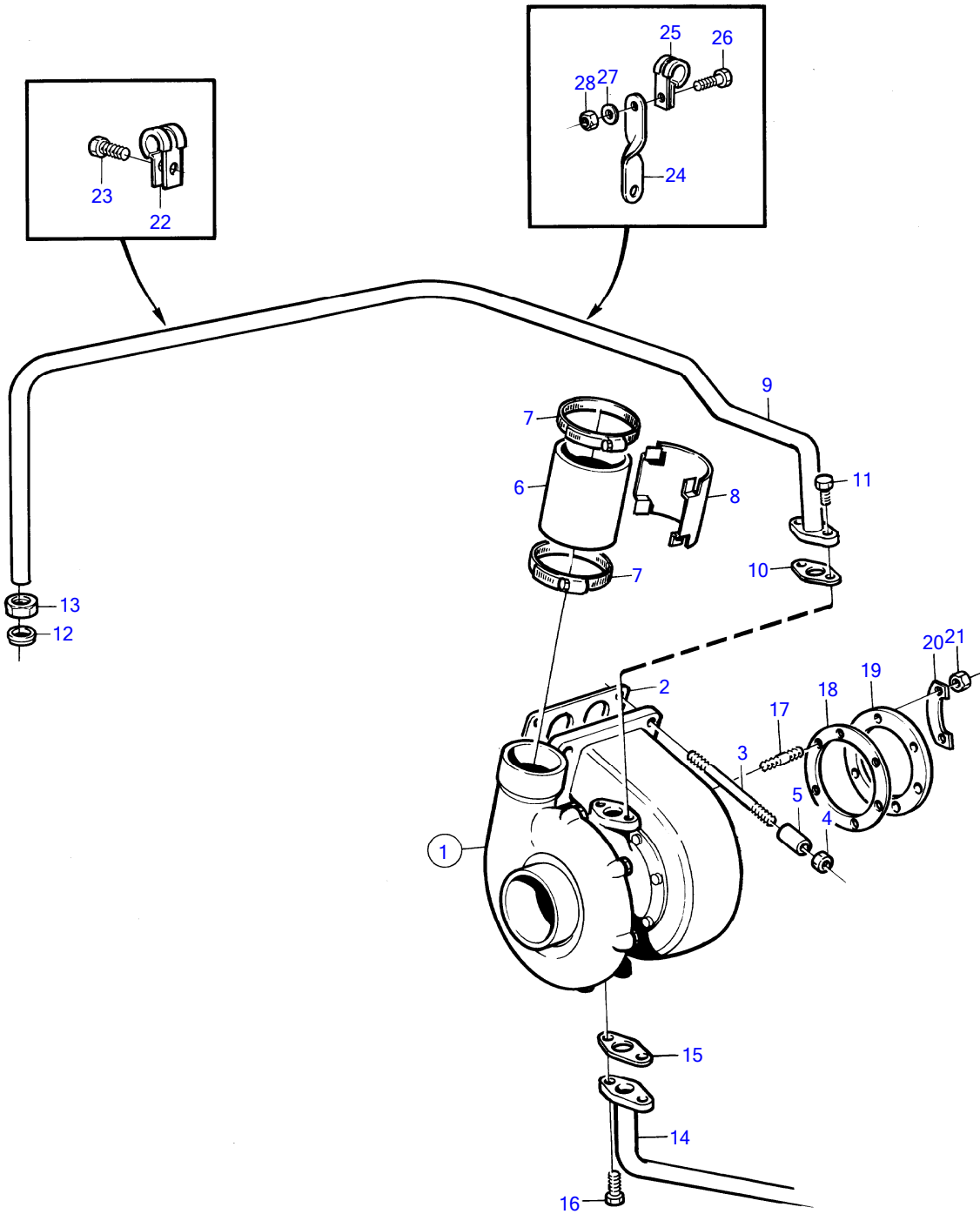
11591



11851

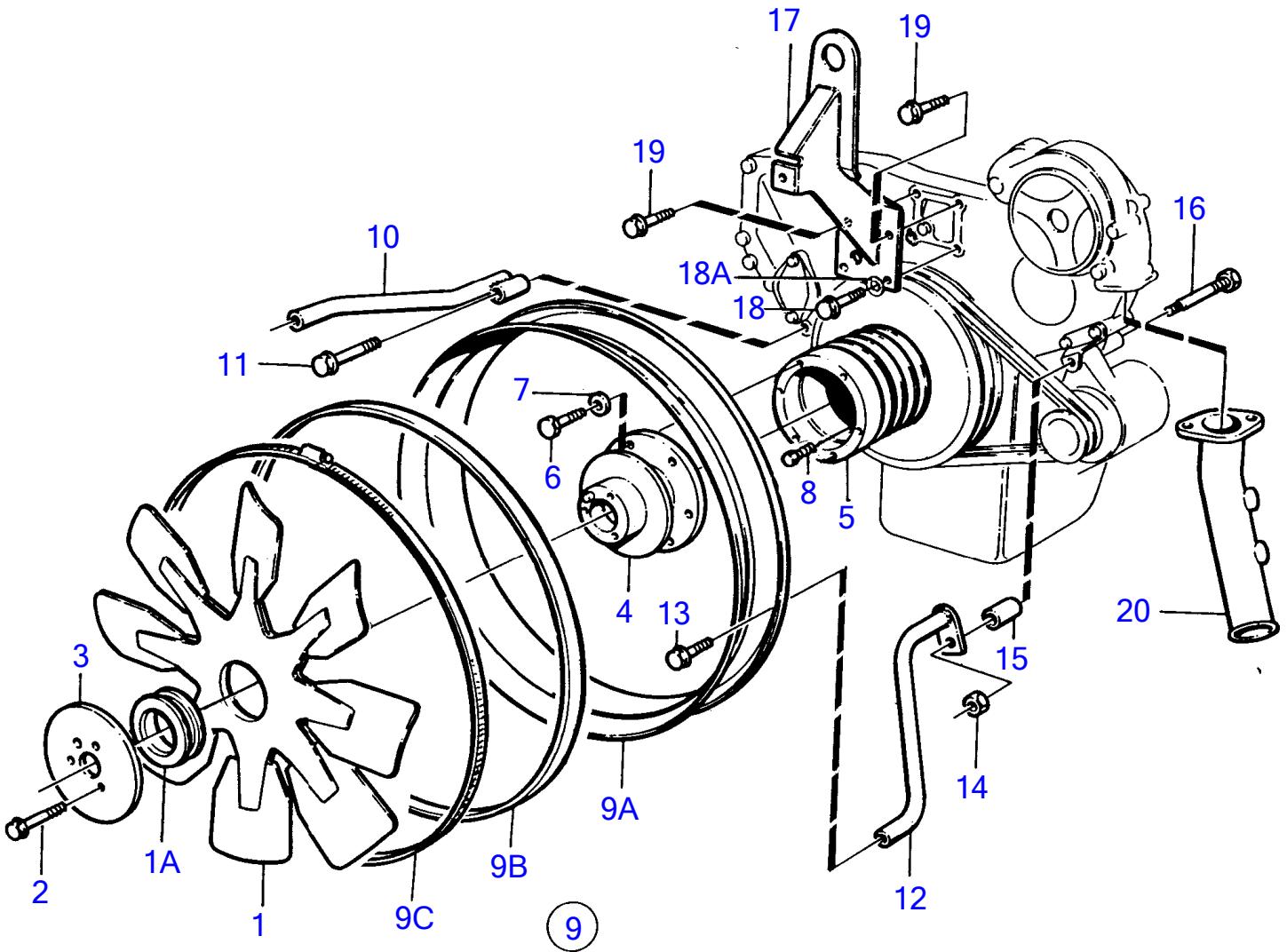


16463



10820

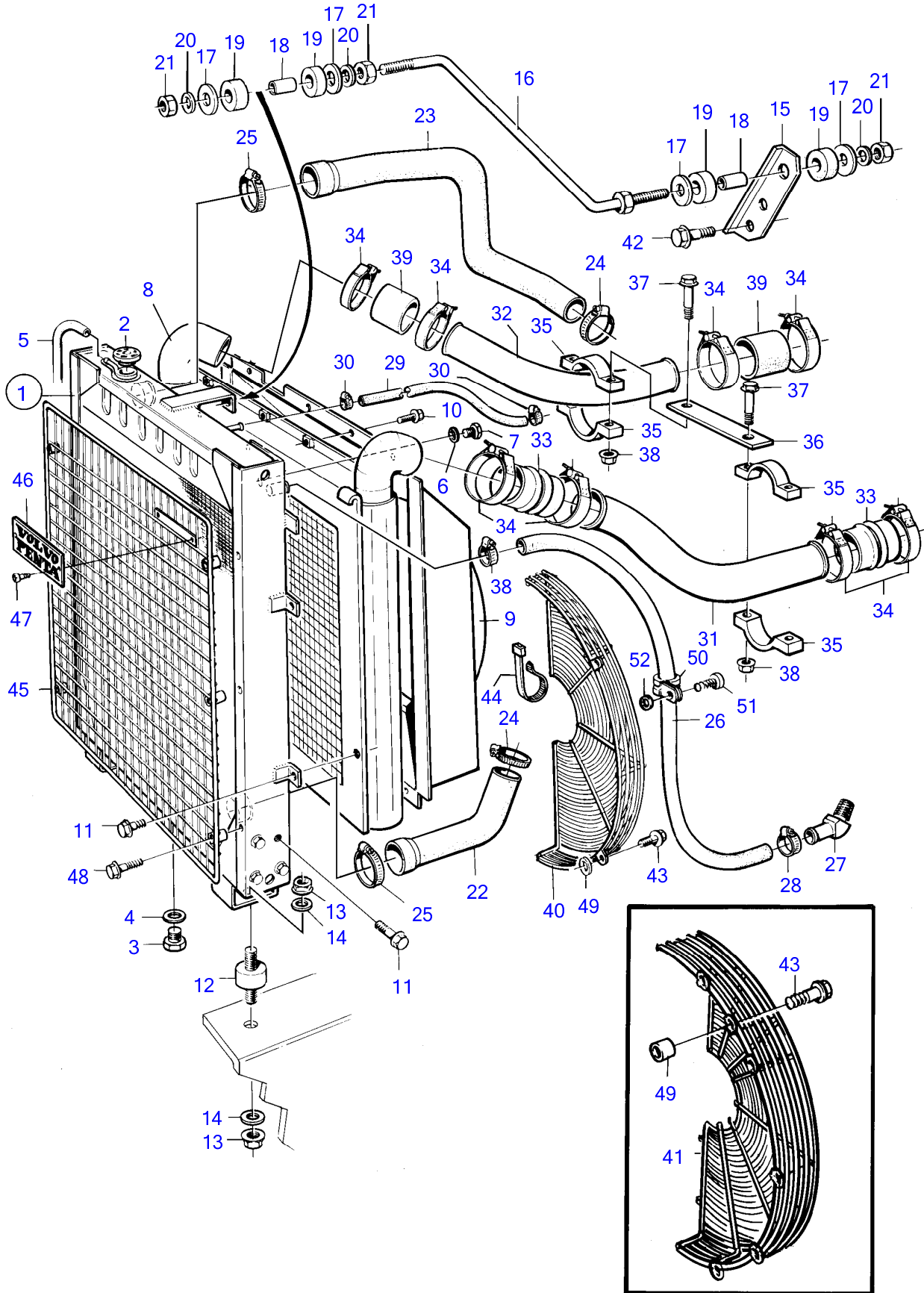
TD71A, TD730ME, TD730VE, TID71A, TWD730ME, TWD731VE



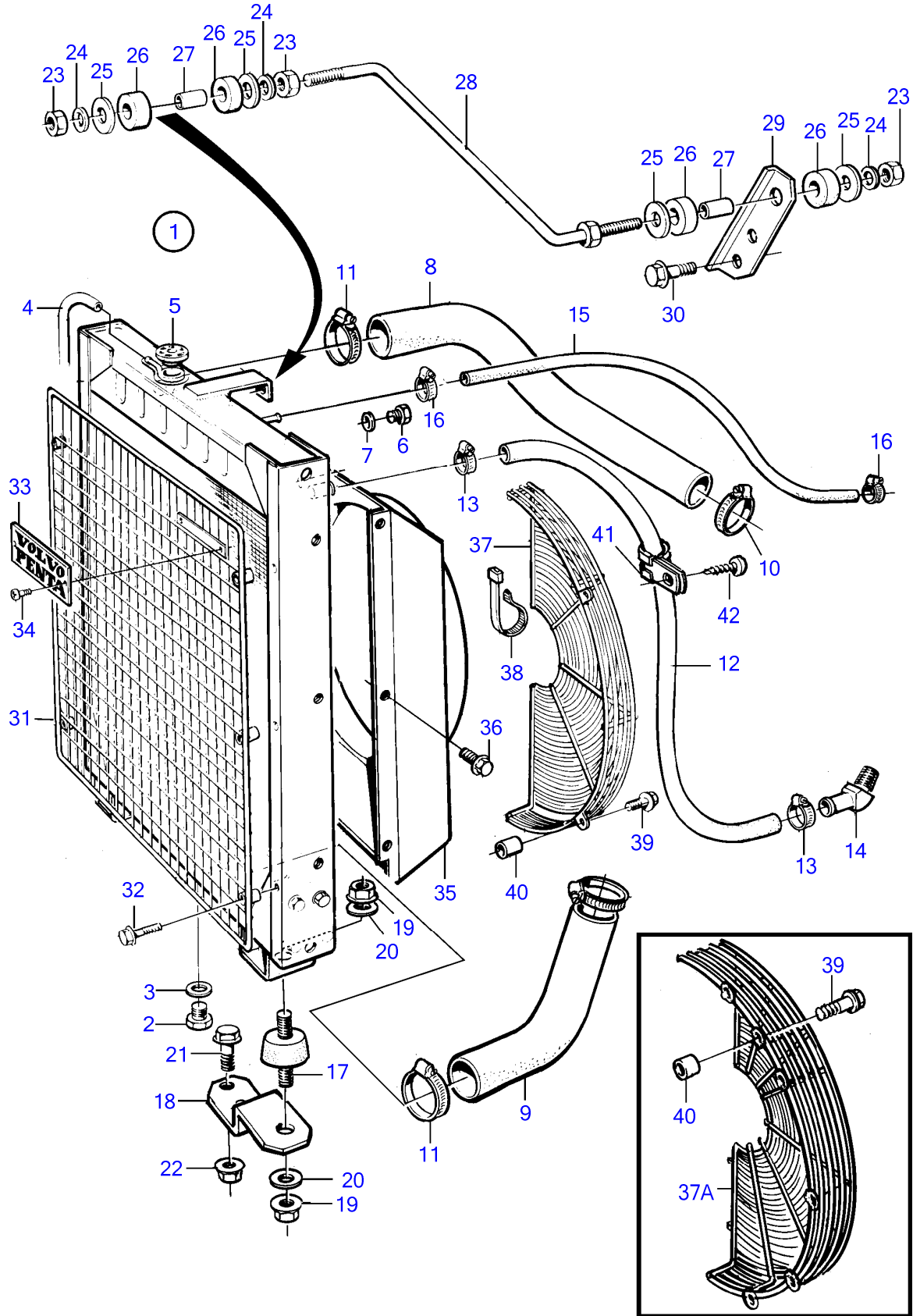
11591



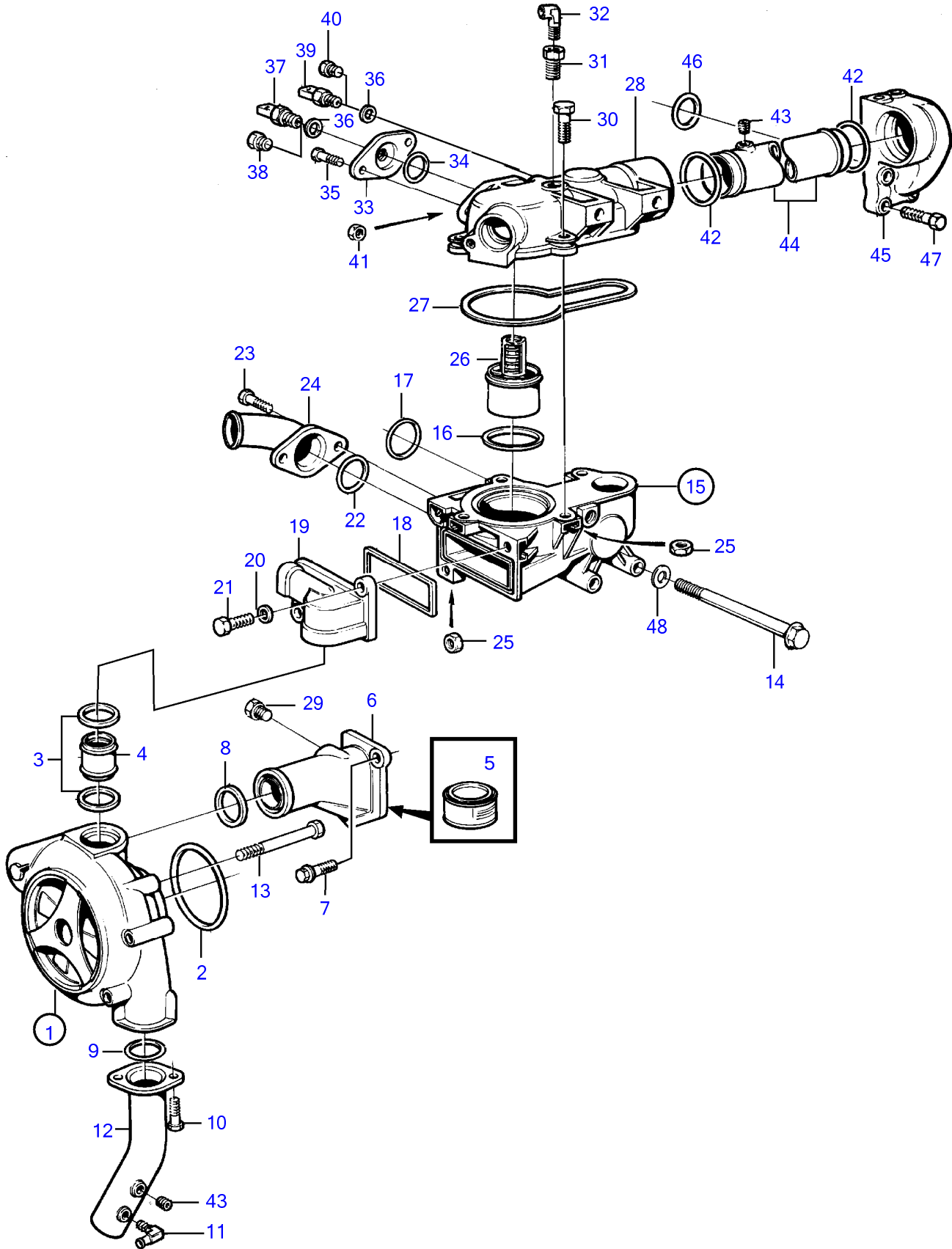
TAD730G



TWD710G



TAD730P



## TD730ME

| REF | PART NO. | QTY | DESCRIPTION         | NOTES   |
|-----|----------|-----|---------------------|---|
| 1   | 8192050  | 1   | Coolant pump        |   |
| 2   | 925095   | 1   | O-ring              |   |
| 3   | 469982   | 2   | Sealing ring        | (471635)  |
| 4   | 471634   | 1   | Coolant pipe        |   |
| 5   | 1161231  | X   | Sealant             | 304ml alt   |
|     | 1161277  | X   | Sealant             | 10g alt   |
| 6   | 421756   | 1   | Spacer              |   |
| 7   | 945444   | 2   | Flange screw        |   |
| 8   | 471629   | 1   | Sealing ring        |   |
| 9   | 925092   | 1   | O-ring              |   |
| 10  | 945444   | 2   | Flange screw        |   |
| 11  | 942649   | 1   | Elbow nipple        |   |
| 12  | 848143   | 1   | Coolant pipe        | Std   |
|     | 849645   | 1   | Coolant pipe        | Is used when crankshaft mounted fan is installed. |
| 13  | 965190   | 4   | Flange screw        |   |
| 14  | 965189   | 3   | Flange screw        |   |
| 15  | 876628   | 1   | Thermostat housing  | Anodic treatment.                                 |
| 16  | 1544710  | 1   | • Sealing ring      |   |
| 17  | 955782   | 7   | Hexagon nut         |   |
| 18  | 477059   | 1   | O-ring              |   |
| 19  | 471816   | 1   | Sealing ring        |   |
| 20  | 471784   | 1   | Housing             | Std   |
|     | 471822   | 1   | Connector housing   | For engines equipped with an air compressor., Alt |
| 21  | 941907   | 2   | Spring washer       |   |
| 22  | 945444   | 2   | Flange screw        |   |
| 23  | 925092   | 1   | O-ring              |   |
| 24  | 945444   | 2   | Flange screw        |   |
| 25  | 848381   | 1   | Water pipe          |   |
| 26  | 1661993  | 1   | Thermostat          | 75°C blue   |
| 27  | 471788   | 1   | Sealing ring        |   |
| 28  | 477905   | 1   | Cover               | (420758)  |
| 29  | 941907   | 4   | Spring washer       |   |
| 30  | 946470   | 4   | Flange screw        |   |
| 31  | 862109   | 1   | Nipple              |   |
| 32  | 479953   | 1   | Elbow nipple        | (180283)  |
| 33  | 862618   | 1   | Flange              |   |
| 34  | 469477   | 1   | Sealing ring        |   |
| 35  | 945444   | 2   | Flange screw        |   |
| 36  | 11998    | 2   | Gasket              | (947624)  |
| 37  |          | 1   | Ect sensor          | See group 30                                      |
| 38  | 960632   | 1   | Plug                | Alt   |
| 39  |          | 1   | Temperature contact | See group 30                                      |
| 40  | 960632   | 1   | Plug                | Alt   |
| 41  | 955782   | 2   | Hexagon nut         |   |
| 42  | 469982   | 2   | Sealing ring        | (471635)  |
| 43  | 479977   | 2   | Plug                | (952077)  |
| 44  | 848656   | 1   | Tube                |   |
| 45  | 465911   | 1   | Connecting pipe     |   |
| 46  | 477059   | 1   | O-ring              |   |
| 47  | 965186   | 1   | Flange screw        | L=50mm  |
|     | 965220   | 2   | Flange screw        | L=45mm  |
| 48  | 849226   | 1   | Plug                |   |
| 49  | 471626   | 1   | Rubber moulding     |   |
| 50  | 849110   | 1   | Brace               |   |
| 51  | 965175   | 1   | Flange screw        |   |

TAD730V, TD71A, TD730VE, TID71A, TWD710V, TWD731VE, TWD740VE

| REF | PART NO. | QTY | DESCRIPTION    | NOTES     |
|-----|----------|-----|----------------|-----------|
| 1   | 3183908  | 1   | Coolant pump   |           |
| 2   |          | 1   | • Housing      |           |
| 3   | 3183683  | 1   | • Impeller     | (1675808) |
| 4   | 468249   | 1   | • Shaft        |           |
| 5   | 421549   | 1   | • Shaft        |           |
| 6   | 471497   | 1   | • O-ring       |           |
| 7   | 3183650  | 1   | • Cover        | (1674237) |
| 8   | 471495   | 1   | • Lock spring  |           |
| 9   | 1676432  | 1   | • Sealing ring |           |
| 10  | 958811   | 1   | • Sealing ring |           |
| 11  | 471499   | 1   | • Ball bearing |           |
| 12  | 471493   | 1   | • Snap ring    |           |
| 13  | 471501   | 1   | • Gear         |           |
| 14  | 11992    | 1   | • Gasket       |           |
| 15  | 947107   | 1   | • Flange screw |           |
| 16  | 85107763 | 1   | Water pump kit |           |

TAD730G, TD710G, TWD710G

| REF | PART NO. | QTY | DESCRIPTION    | NOTES                 |
|-----|----------|-----|----------------|-----------------------|
| 1   | 8192050  | 1   | Coolant pump   |                       |
| 2   |          | 1   | • Housing      |                       |
| 3   | 3183683  | 1   | • Impeller     | (1675808)             |
| 4   | 468249   | 1   | • Shaft        |                       |
| 5   | 421549   | 1   | • Shaft        |                       |
| 6   | 471497   | 1   | • O-ring       |                       |
| 7   | 3183650  | 1   | • Cover        | (1674237)             |
| 8   | 471495   | 1   | • Lock spring  |                       |
| 9   | 1676432  | 1   | • Sealing ring |                       |
| 10  | 958811   | 1   | • Sealing ring |                       |
| 11  | 471499   | 1   | • Ball bearing |                       |
| 12  | 471493   | 1   | • Snap ring    |                       |
| 13  | 471501   | 1   | • Gear         |                       |
| 14  | 11992    | 1   | • Gasket       |                       |
| 15  | 947107   | 1   | • Flange screw |                       |
| 16  | 276942   | 1   | Water pump kit | (276835) see group 99 |

TWD740GE, TWD740VE

| REF | PART NO.  | QTY | DESCRIPTION       | NOTES   |
|-----|-----------|-----|-------------------|---------|
| 1   | 3827057   | 1   | Connecting pipe   |         |
| 2   | 3827059   | 2   | Gasket            |         |
| 3   | 3827056   | 1   | Charge air cooler |         |
| 4   | (3827058) | 1   | Connecting pipe   |         |
| 5   | 948645    | 23  | Flange lock nut   |         |
| 6   | 947760    | 24  | Flange screw      | L=48mm  |
|     | 948217    | 8   | Flange screw      | L=45mm  |
| 7   | 944386    | 1   | Rubber hose       | L=60mm  |
| 8   | 943473    | 2   | Hose clamp        |         |
| 9   | 3819433   | 1   | Water pipe        |         |
| 10  | 471637    | 1   | Sealing ring      |         |
| 11  | 421654    | 1   | Clamp             |         |
| 12  | 946440    | 1   | Flange screw      |         |
| 13  | 944386    | X   | Rubber hose       | L=430mm |
| 14  | 943473    | 2   | Hose clamp        | D=29mm  |
|     | 994560    | 2   | Hose clamp        | D=38mm  |
| 15  | 3827060   | 1   | Bracket           |         |
| 16  | (3827061) | 2   | Bracket           |         |
| 17  | 946329    | 3   | Flange screw      | L=25mm  |
|     | 965185    | 2   | Flange screw      | L=40mm  |
| 18  | (834974)  | 1   | Bracket           |         |
| 19  | 947827    | 1   | Clamp             |         |
| 20  | 946441    | 1   | Flange screw      |         |
| 21  | 966871    | 1   | Shut-off cock     |         |

TD730ME

| REF | PART NO. | QTY | DESCRIPTION   | NOTES    |
|-----|----------|-----|---------------|----------|
| 1   | (865542) | 1   | Bracket       |          |
| 2   |          | 1   | Support       | 145x14x4 |
| 3   | (865959) | 1   | Lever         |          |
| 4   | 862775   | 1   | Wing screw    |          |
| 5   | 192354   | 2   | Wing nut      |          |
| 6   | 946544   | 4   | Flange screw  | L=16mm   |
| 7   | 945407   | 2   | Flange nut    |          |
| 8   | 967949   | 2   | Flange screw  | L=12mm   |
| 9   | 848236   | 1   | Cube          |          |
| 10  | 963106   | 1   | Lock nut      |          |
| 11  | 949607   | 1   | Spring washer |          |
| 12  | 955892   | 1   | Washer        |          |
| 13  | 664822   | 1   | Split pin     |          |
| 14  | 945414   | 2   | Flange screw  | L=14mm   |

TWD730ME

| REF | PART NO. | QTY | DESCRIPTION           |
|-----|----------|-----|-----------------------|
| 1   | 862191   | 1   | Cube                  |
| 2   | 955244   | 1   | Hexagon screw         |
| 3   | 664822   | 1   | Split pin             |
| 4   | 955894   | 1   | Washer                |
| 5   | (69556)  | 1   | Spring washer         |
| 6   |          | 1   | Lever, fuel inj. pump |

TWD710P, TWD710PB

| REF | PART NO. | QTY | DESCRIPTION        | NOTES   |
|-----|----------|-----|--------------------|---|
| 1   | 876593   | 1   | Control magnet kit | Replaced by control solenoid kit 3826742 and harness 873638., 24V   |
|     | 876592   | 1   | Control magnet kit | Repl by control solenoid kit 3826743 and cable harness 873638., 12V |
| 2   | (969294) | 1   | • Retaining ring   |   |
| 3   | 847009   | 1   | • Return spring    |   |
| 4   | 863639   | 1   | Bracket            |   |
| 5   | 965183   | 1   | Flange screw       |   |
| 6   | 858391   | 1   | Spacer sleeve      |   |
| 7   | 965190   | 1   | Flange screw       |   |
| 8   | 946173   | 4   | Flange screw       |   |
| 9   | 863647   | 2   | Nut plate          |   |
| 10  | 955782   | 1   | Hexagon nut        |   |
| 11  | 863641   | 1   | Control rod        |   |
| 12  | 955781   | 1   | Hexagon nut        |   |
| 13  | 959079   | 1   | Angle ball joint   |   |
| 14  | 955781   | 1   | • Hexagon nut      |   |
| 15  | 949607   | 1   | Spring washer      |   |
| 16  | 866876   | 1   | Intermediate lever | (864409)  |
| 17  | (872933) | 1   | Timer relay        |   |
| 18  | (872932) | 1   | • Adapter          |   |
| 19  | 9518230  | 1   | • Relay            | (4786690)   |
| 20  | 948211   | 1   | • Cable tie        | (948210)  |
|     | 949666   | 1   | • Cable tie        |   |

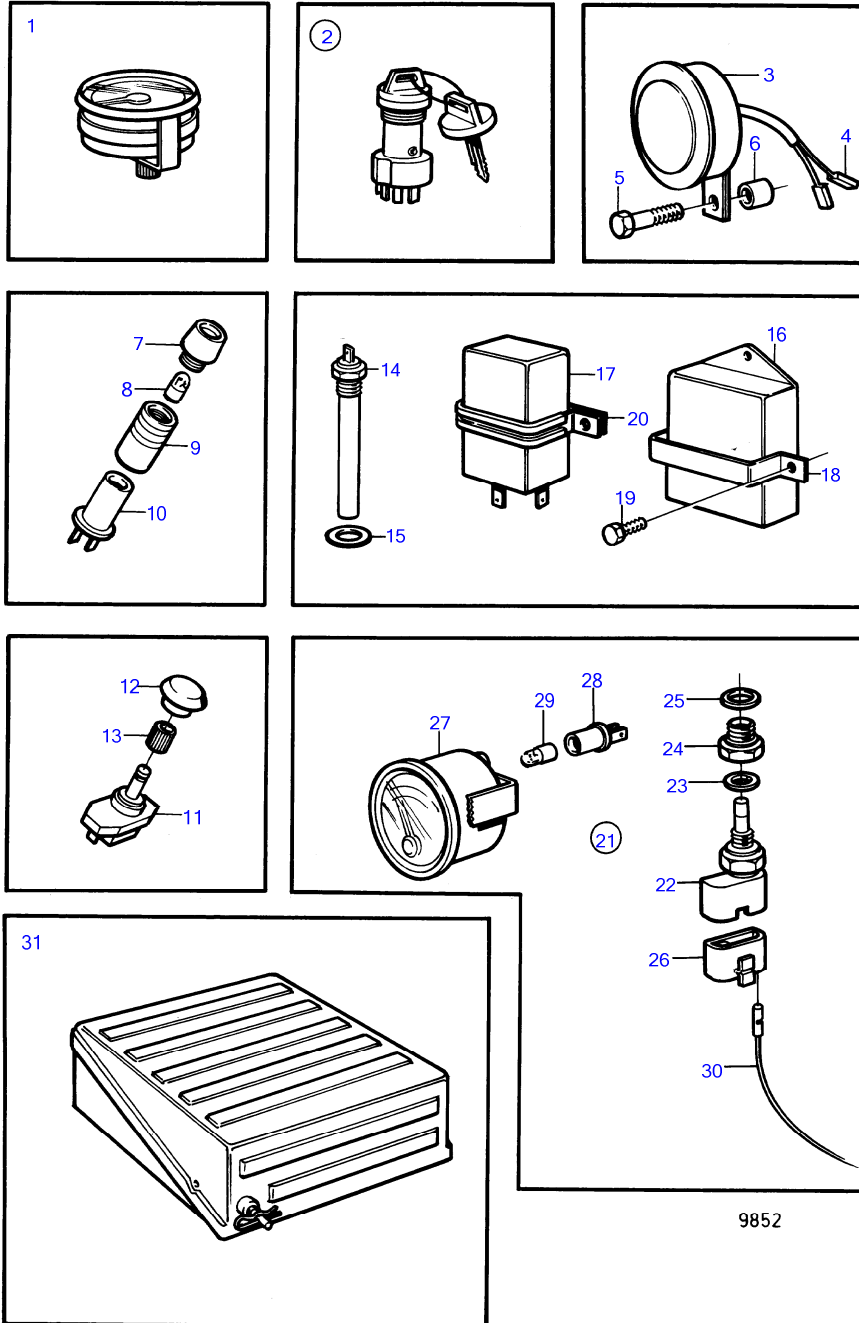
TD710G, TWD710G

| REF | PART NO. | QTY | DESCRIPTION          | NOTES  |
|-----|----------|-----|----------------------|--|
| 1   |          | 1   | Governor             |  |
| 2   | 834681   | 2   | Link end             |  |
| 3   | 834667   | 1   | Adjusting screw      |  |
| 4   | 866170   | 1   | Rubber bellows       |  |
| 5   | 942001   | 8   | Hex. socket screw    |  |
| 6   | (842771) | 1   | Cap                  |  |
| 7   | (842772) | 1   | Housing              |  |
| 8   | (240033) | X   | Shim                 |  |
|     | (240034) | X   | Shim                 |  |
|     | (240035) | X   | Shim                 |  |
|     | (240036) | X   | Shim                 |  |
| 9   | 841035   | 1   | Spacer sleeve        |  |
| 10  | 842945   | 1   | Sealing ring         | Replaced by 1 ea retainer 865571 and 1 ea sealing ring 865572. |
|     | 865571   | 1   | Sealing ring         |  |
|     | 865572   | 1   | Sealing ring         |  |
| 11  | 969408   | 3   | Six point socket scr |  |
| 12  | 941905   | 3   | Spring washer        |  |
| 13  | (948926) | 1   | Control rod          |  |
| 14  | 955780   | 2   | Hexagon nut          |  |
| 15  | 963104   | 1   | Lock nut             |  |
| 16  | 940188   | 1   | Hexagon screw        |  |
| 17  | 963104   | 1   | Lock nut             |  |

## TD71A, TID71A

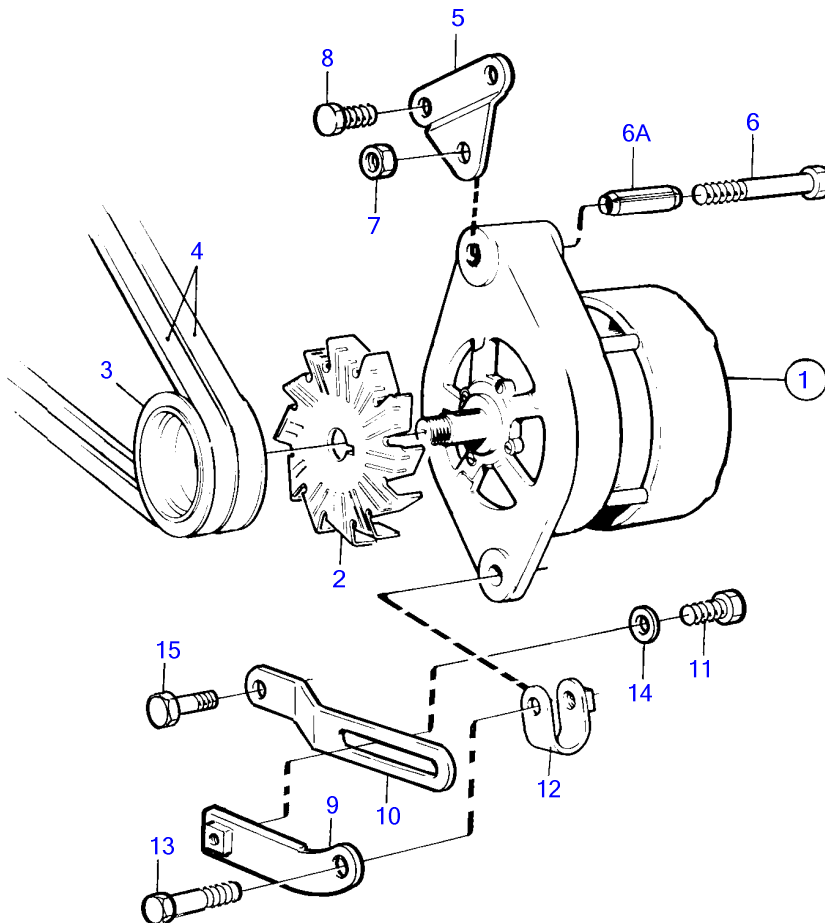
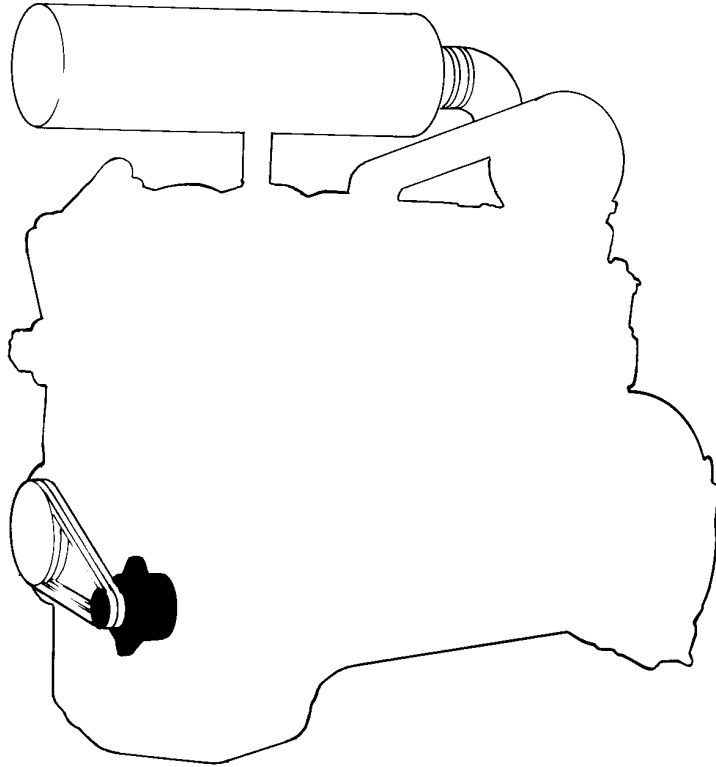
| REF | PART NO. | QTY | DESCRIPTION           | NOTES  |
|-----|----------|-----|-----------------------|--|
| 1   | 954443   | X   | Electric cable        | RK 1.5mm <sup>2</sup> , black                                |
|     | 954444   | X   | Electric cable        | RK 1.5mm <sup>2</sup> , brown                                |
|     | 954445   | X   | Electric cable        | RK 1.5mm <sup>2</sup> , red                                  |
|     | (965754) | X   | Electric cable        | RK 1,5mm <sup>2</sup> violet                                 |
|     | (954447) | X   | Electric cable        | RK 1.5mm <sup>2</sup> , green                                |
|     | (954448) | X   | Electric cable        | RK 1.5mm <sup>2</sup> , blue                                 |
|     | (954449) | X   | Electric cable        | RK 1.5mm <sup>2</sup> , gray                                 |
|     | (954450) | X   | Electric cable        | RK 1.5mm <sup>2</sup> , ivory                                |
|     | (961795) | X   | Electric cable, cable | RK 1,5mm <sup>2</sup><br>White/blue                          |
|     | (961794) | X   | Electric cable, cable | RK 1,5mm <sup>2</sup><br>Green/white                         |
|     | (961800) | X   | Electric cable, cable | RK 1,5mm <sup>2</sup><br>Blue/yellow                         |
|     | (954452) | X   | Electric cable        | RK 2.5mm <sup>2</sup> , brown                                |
|     | 954461   | X   | Electric cable        | RK 4mm <sup>2</sup> , red                                    |
|     | (954464) | X   | Electric cable        | RK 4mm <sup>2</sup> , blue                                   |
|     | (954465) | X   | Electric cable        | RK 4mm <sup>2</sup> , grey                                   |
|     | 954467   | X   | Electric cable        | RK 6mm <sup>2</sup> , black                                  |
|     | 954485   | X   | Electric cable        | RK 16mm <sup>2</sup> , red                                   |
|     | (954500) | X   | Electric cable        | RK 25mm <sup>2</sup> , red                                   |
|     | 954502   | X   | Electric cable        | RK 35mm <sup>2</sup> , red                                   |
| 2   | 862989   | X   | Cable                 | 2X1.5mm <sup>2</sup> class                                   |
|     | 862991   | X   | Cable                 | 19X1.5mm <sup>2</sup> class                                  |
|     | (863657) | X   | Cable                 | Armoured, 2X1.5mm <sup>2</sup> class                         |
|     | (842092) | X   | Cable                 | 3X1.5mm <sup>2</sup> class                                   |
|     | 862990   | X   | Cable                 | 3x4 mm <sup>2</sup> class                                    |
|     | 846273   | X   | Cable                 | 4X1.5mm <sup>2</sup> class                                   |
|     | 846639   | X   | Electric cable        | 16X1.5mm <sup>2</sup> class                                  |
|     | 842091   | X   | Cable                 | 2X2.5mm <sup>2</sup> class                                   |
|     | 844578   | X   | Cable                 | 4X2.5mm <sup>2</sup> class                                   |
|     | (842090) | X   | Cable                 | 3X6mm <sup>2</sup> class                                     |
|     | 846346   | X   | Cable                 | Armoured<br>2X16+2X1.5mm <sup>2</sup> class                  |
| 3   | (969015) | X   | Hose                  | D=11,5mm DI=8,0mmM   |
|     | (185507) | X   | Hose                  | D=11mm, DI=10mm  |
| 4   | (899751) | X   | Cable mark            | For ground wire, For cable area 1-2,5mm <sup>2</sup>         |
| 5   | 948210   | X   | Cable tie             |  |
|     | 949666   | X   | Cable tie, mount. eye |  |
| 6   | 942659   | X   | Terminal block        | 4-way.   |
|     | 942660   | X   | Terminal block        | 6-Way  |
| 7   | 182010   | X   | Coupling piece        | 2-way., Max 15mm <sup>2</sup>                                |
|     | 190128   | X   | Coupling piece        | 5-way., Max 15mm <sup>2</sup>                                |
|     | (926219) | X   | Coupling piece        | 6-Way, (182008)<br>Max 20mm <sup>2</sup>                     |
| 8   | 956927   | X   | Terminal              | For cable area 1,5-2,5mm <sup>2</sup> ., DI=3.7mm D=17mm     |
|     | 956928   | X   | Terminal              | For cable area 1,5-2,5mm <sup>2</sup> ., DI=4.3mm D=18mm     |
| 9   | 881492   | X   | Terminal              | For cable area 0,75-2,0mm <sup>2</sup> ., DI=4,3mm D=8,0mm   |
|     | 881506   | X   | Terminal              | For cable area 3,0-6,0mm <sup>2</sup> ., DI=4,3mm D=8,0mm    |
|     | 881493   | X   | Terminal              | For cable area 1,5-2,5mm <sup>2</sup> ., DI=5,3mm D=10,0mm   |
|     | 881495   | X   | Terminal              | For cable area 3,0-6,0mm <sup>2</sup> ., DI=5,3mm D=10,0mm   |
|     | 881512   | X   | Terminal              | For cable area 10,5-16,5mm <sup>2</sup> ., DI=5,3mm D=11,0mm |
|     | 940331   | X   | Terminal              | For cable area 6,1-10mm <sup>2</sup> ., DI=5,3mm D=10mm      |
|     | 940335   | X   | Terminal              | For cable area 10,5-16,0mm <sup>2</sup> ., DI=6,5mm D=11,0mm |
|     | 881508   | X   | Terminal              | For cable area 1,5-2,5mm <sup>2</sup> ., DI=6,5mm D=11,0mm   |
|     | 881496   | X   | Terminal              | For cable area 3,0-6,0mm <sup>2</sup> ., DI=6,5mm D=11,0mm   |
|     | 881494   | X   | Terminal              | For cable area 1,5-2,5mm <sup>2</sup> ., DI=8,4mm D=14,0mm   |
|     | (881497) | X   | Terminal              | For cable area 3,0-6,0mm <sup>2</sup> ., DI=8,4mm D=14,0mm   |
|     | 940333   | X   | Terminal              | For cable area 6,5-10,5mm <sup>2</sup> ., DI=8,4mm D=14,0mm  |
|     | 940336   | X   | Terminal              | For cable area 16mm <sup>2</sup> , DI=8.4mm D=14mm           |
|     | 940337   | X   | Terminal              | For cable area 6,5-10,5mm <sup>2</sup> ., DI=10.5mm D=18mm   |
|     | (881498) | X   | Terminal              | For cable area 3,0-6,0mm <sup>2</sup> ., DI=10,5mm D=18,0mm  |
| 10  | 853015   | X   | Cable terminal        | For trim instrument.   |

TD71A, TID71A



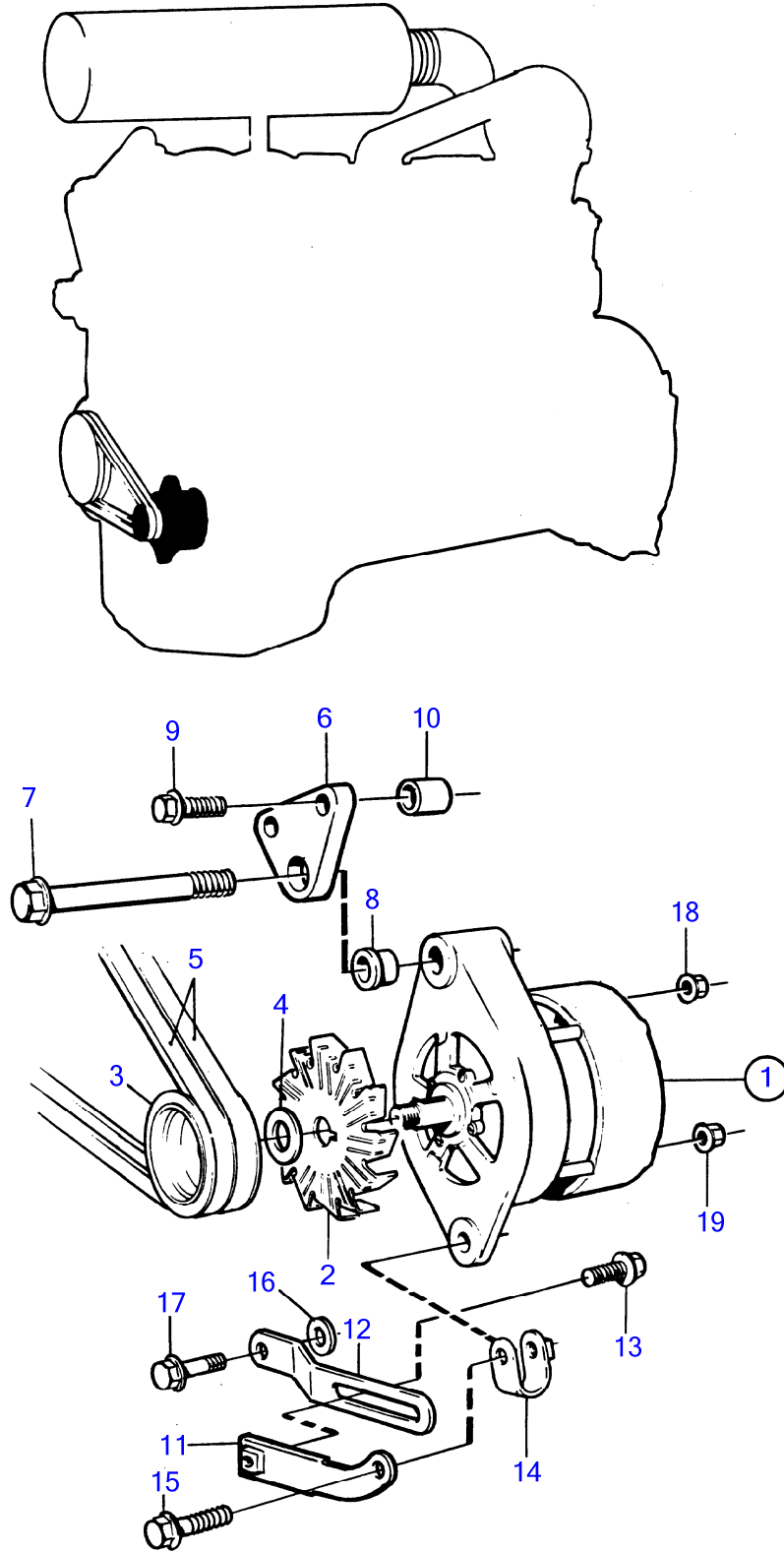
9852

TD730ME, TWD730ME



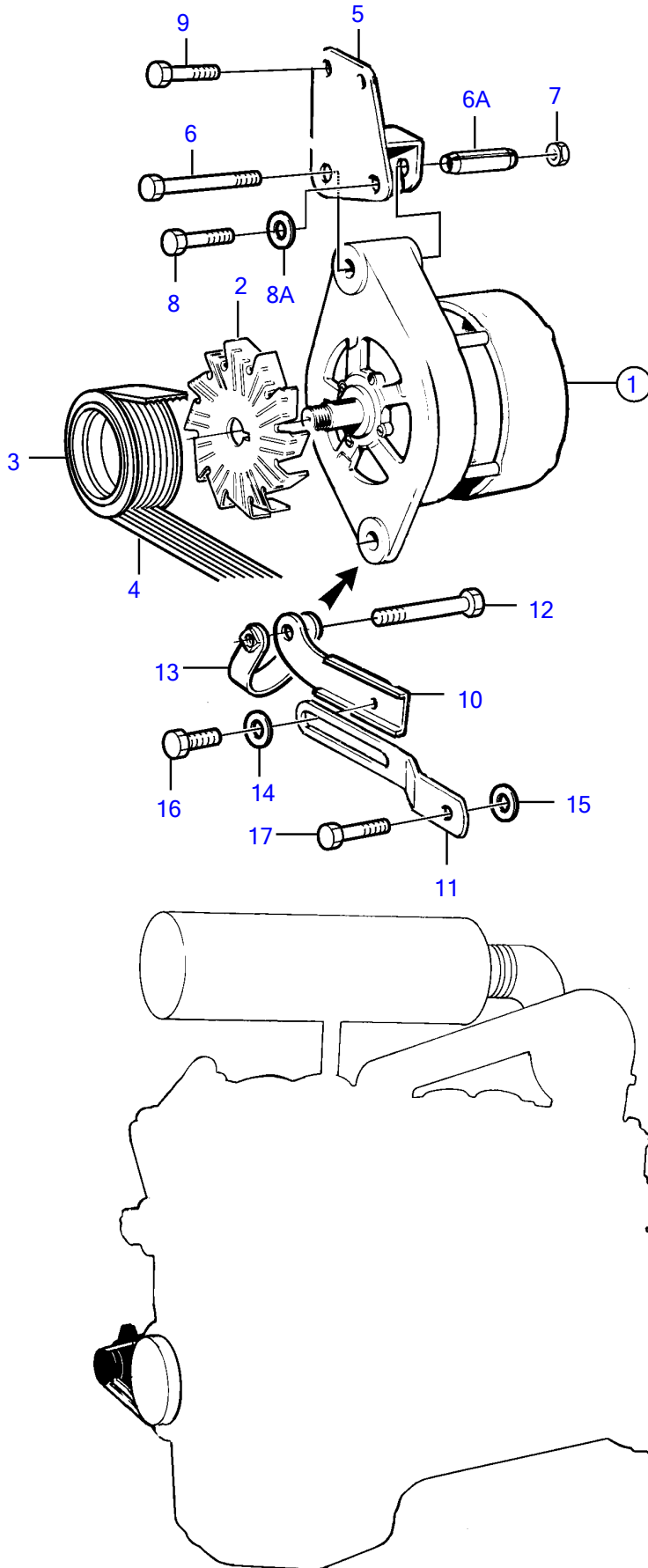
10474

TD71A, TID71A, TWD731VE

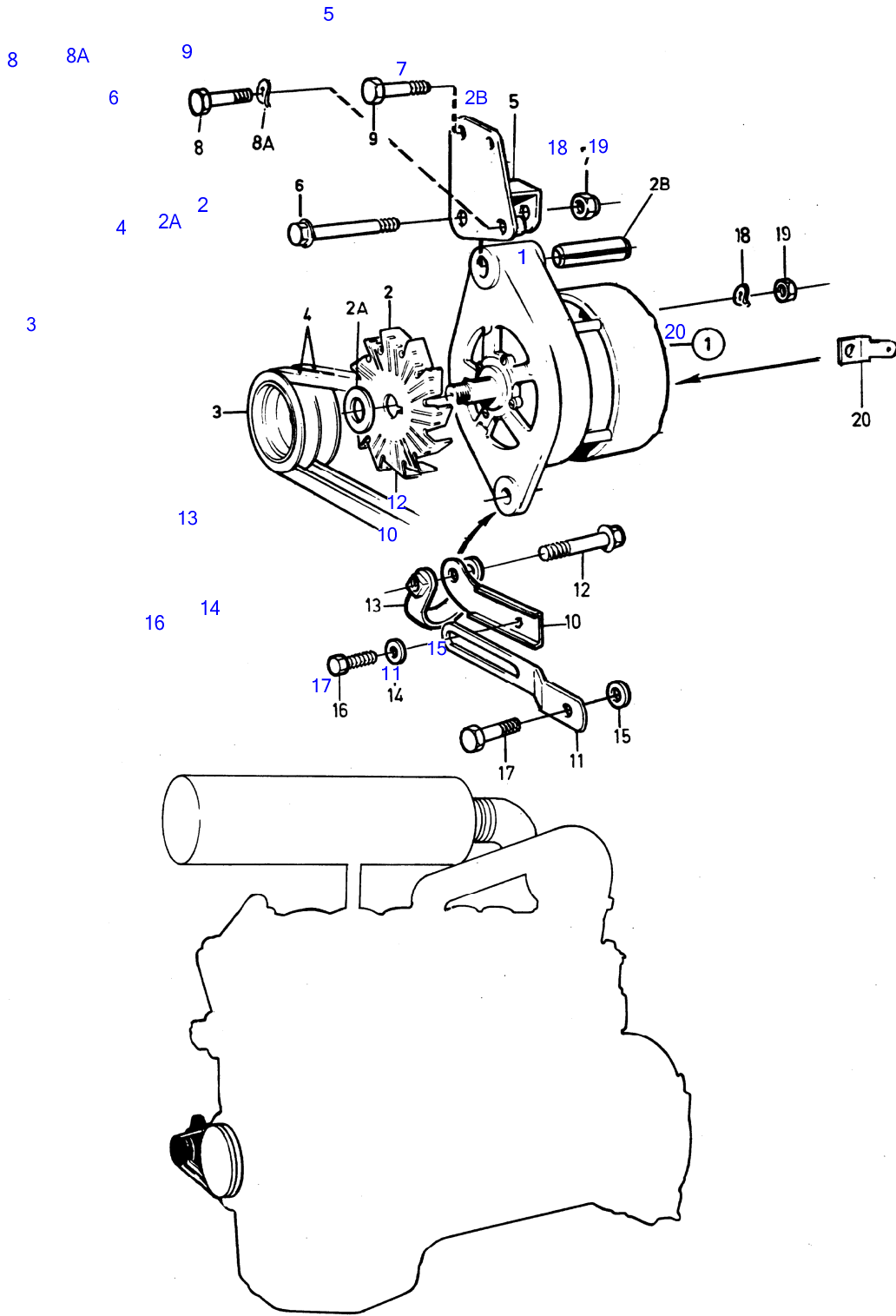


15725

TWD710P, TWD710PB

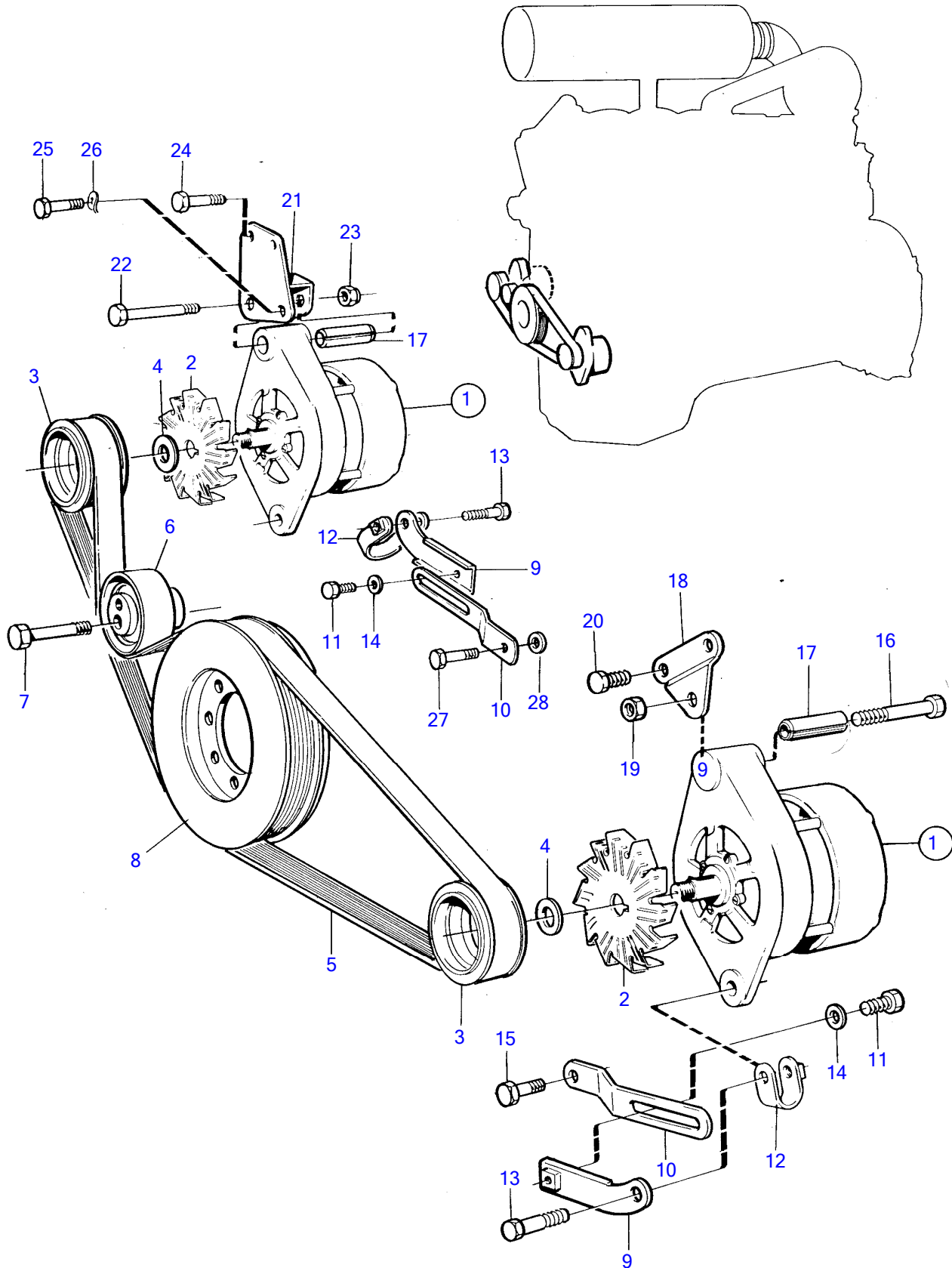


TD730ME



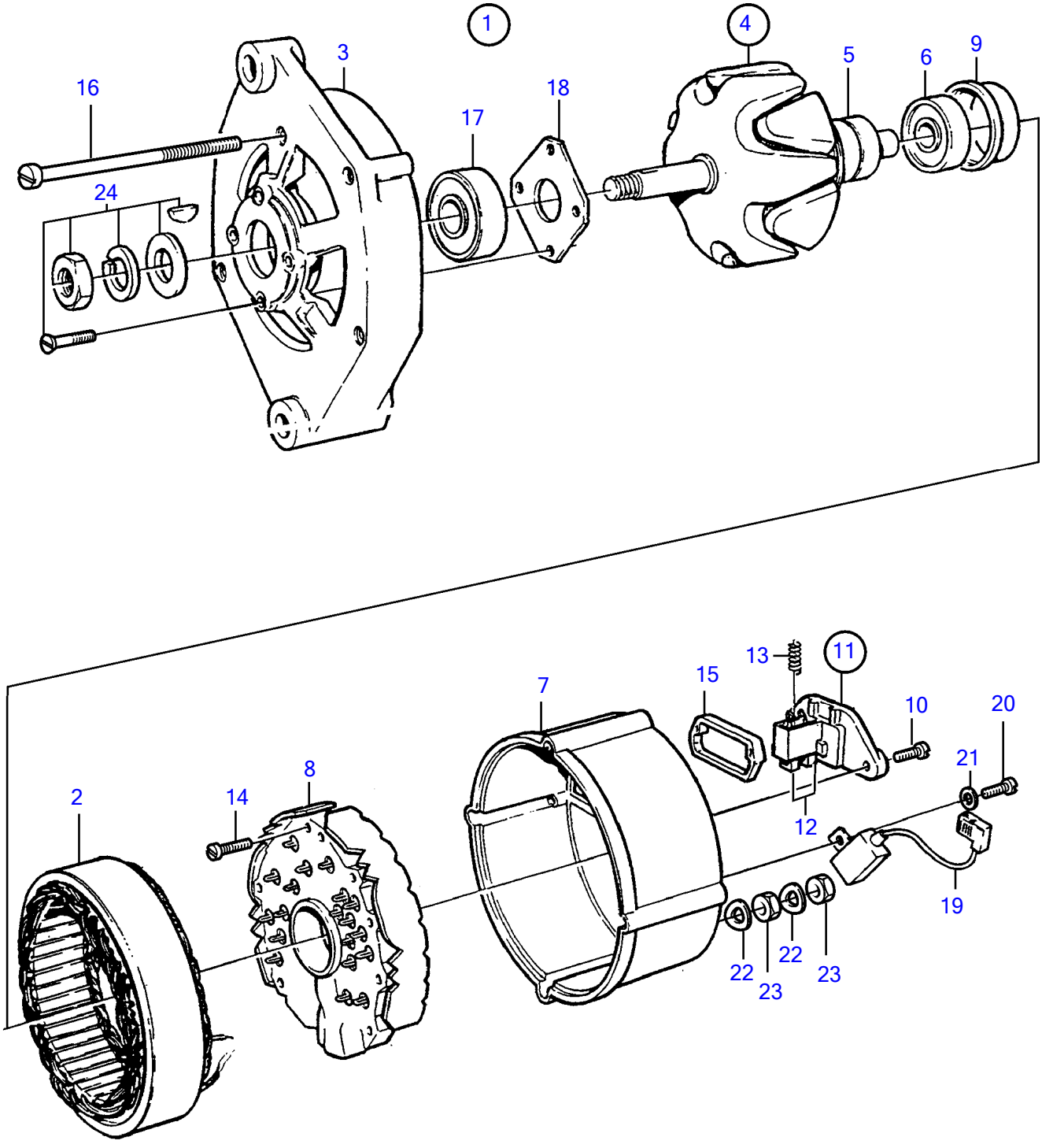
15730

TD730ME, TWD730ME

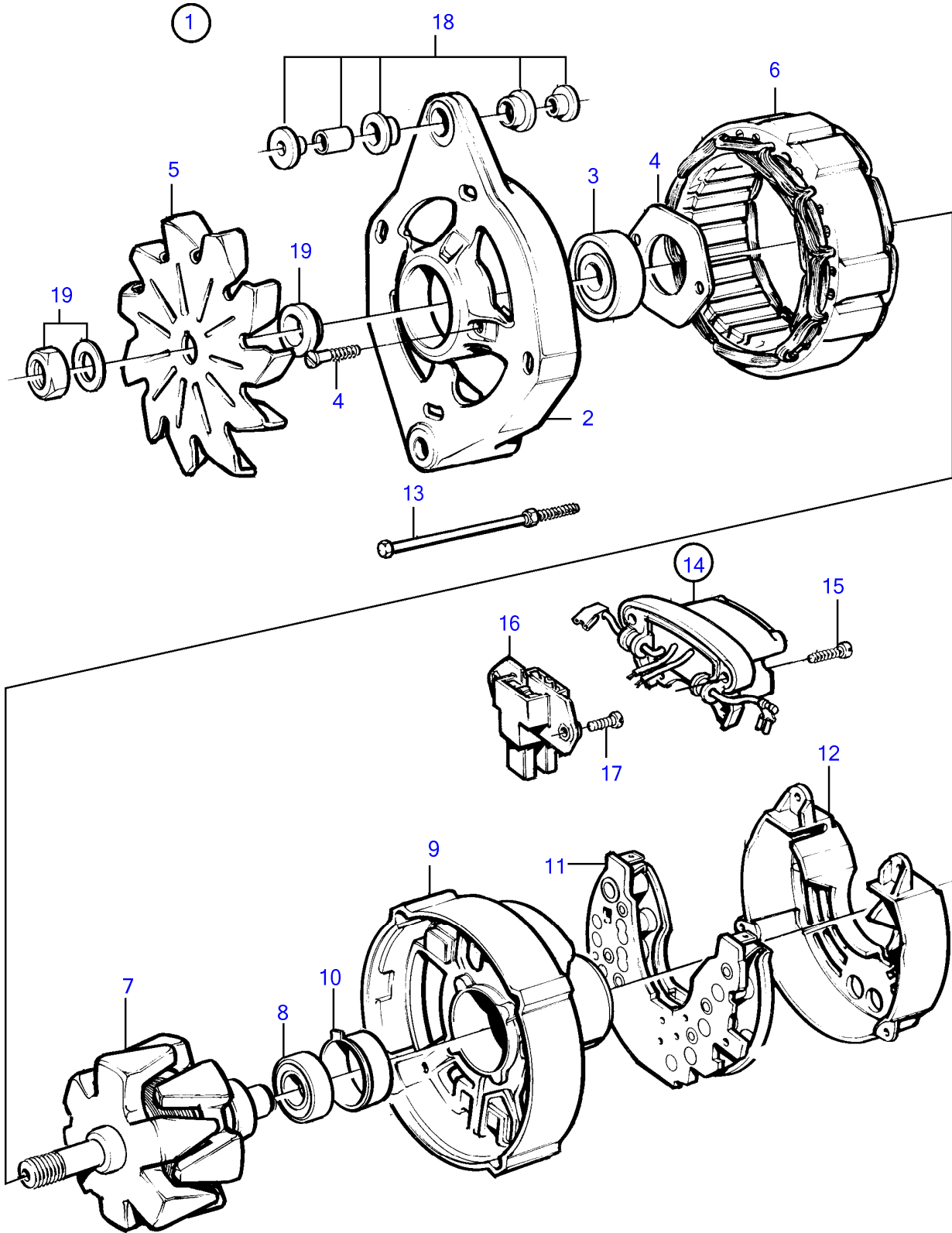


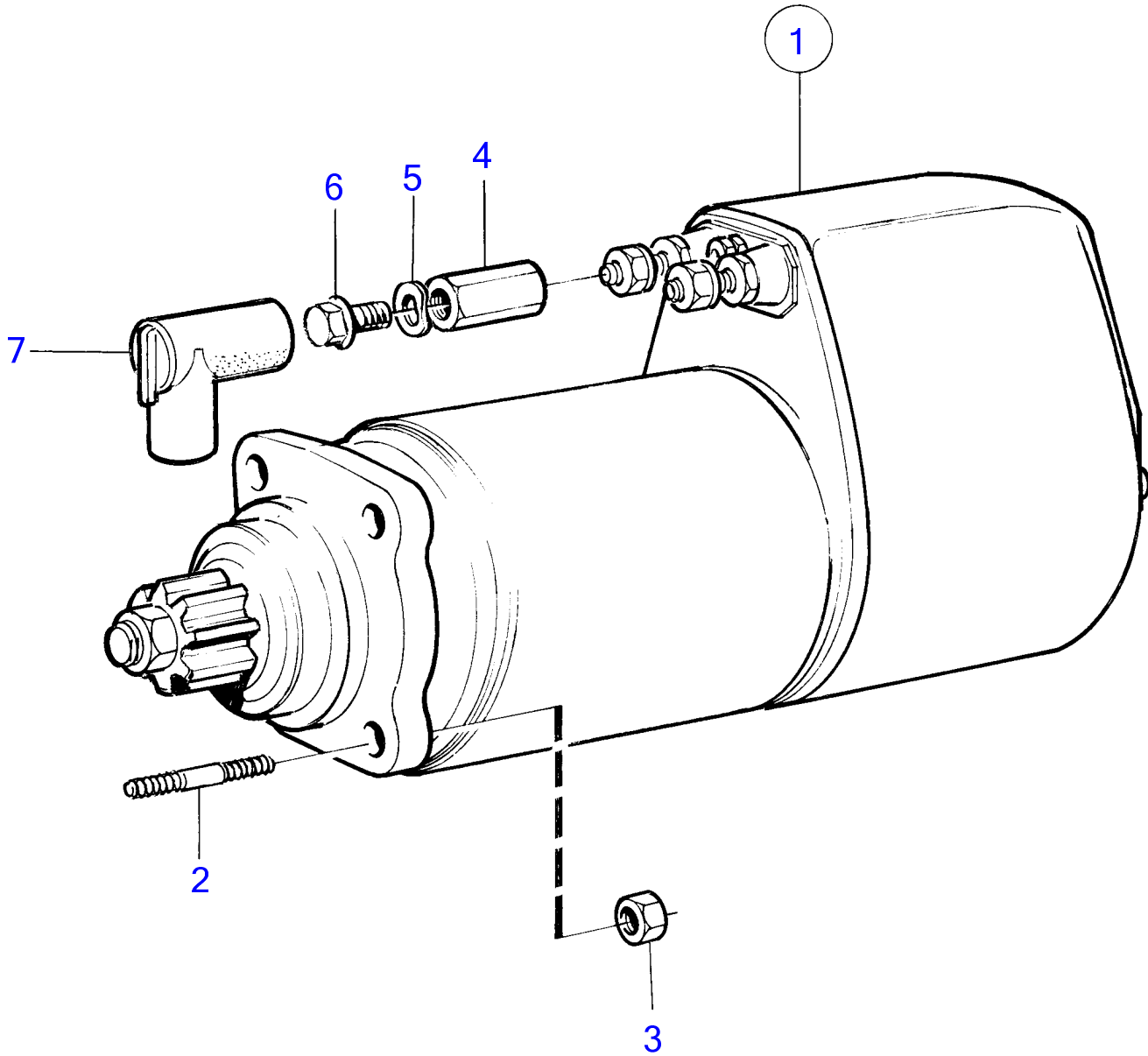
16524

TAD730V, TD71A, TD730ME, TD730VE, TID71A, TWD710V, TWD730ME, TWD731VE, TWD740VE



TAD730V, TD71A, TD730VE, TID71A, TWD710V, TWD731VE, TWD740VE

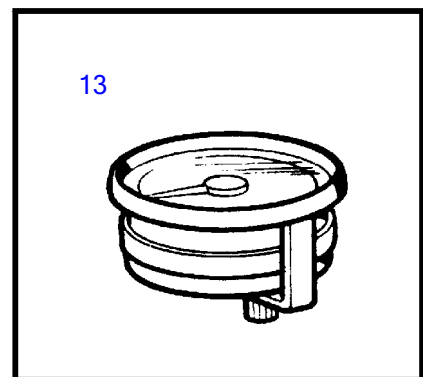
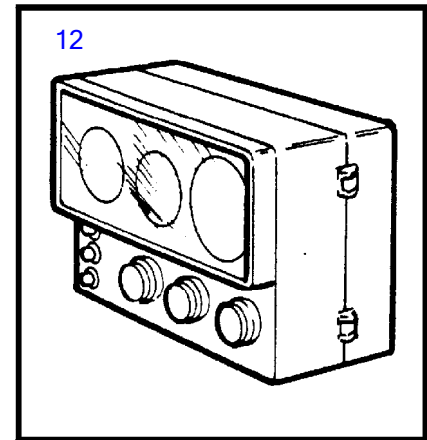
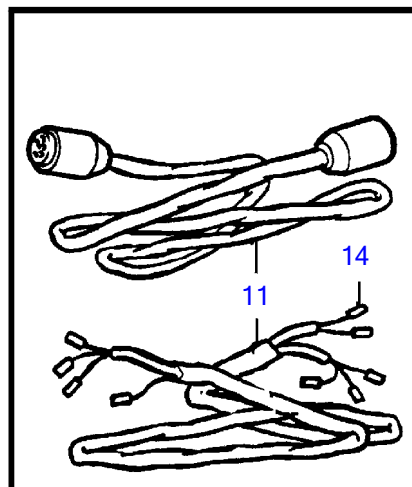
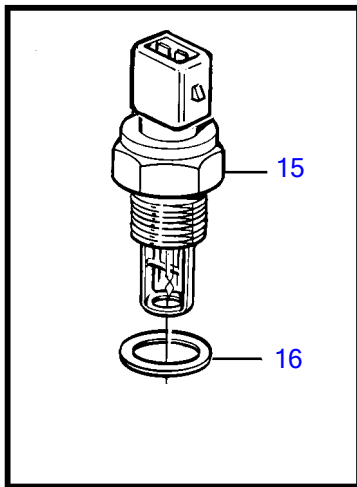
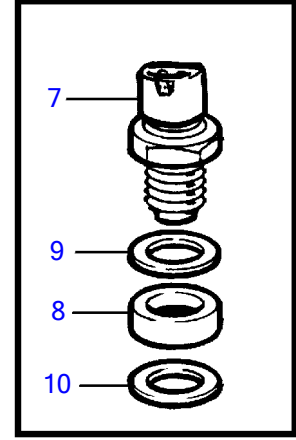
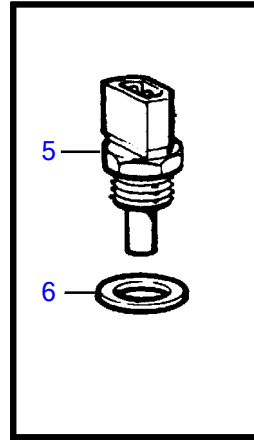
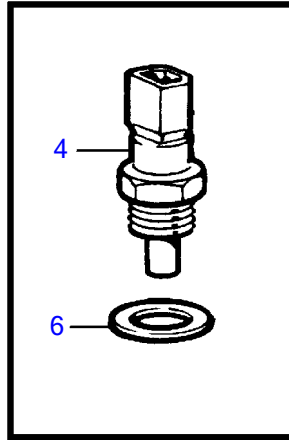
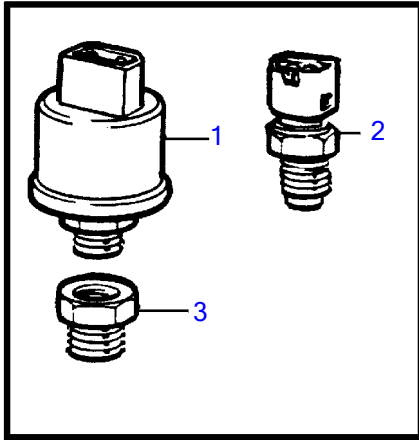




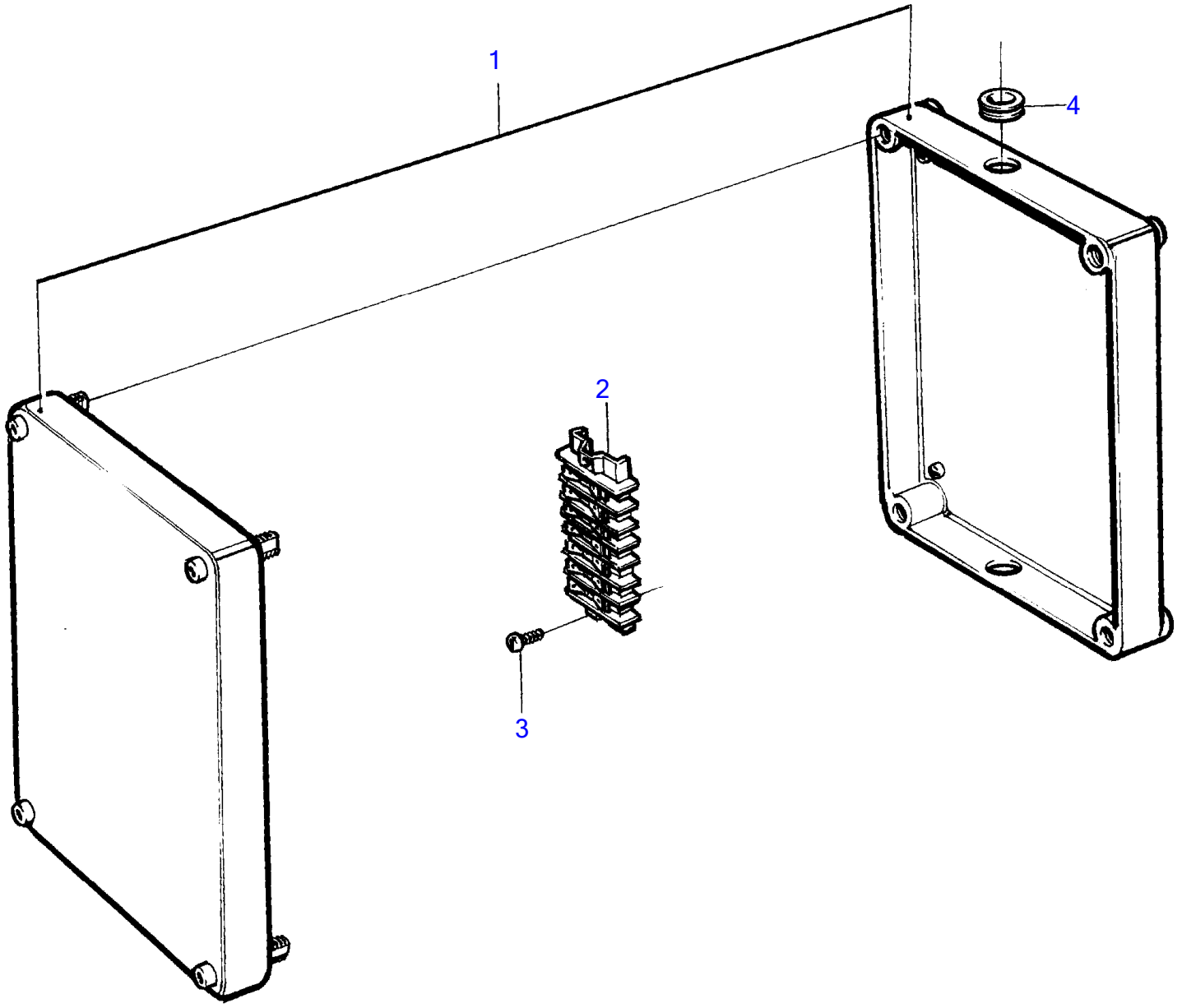
TAD730G, TAD730P, TAD740GE, TAD741GE, TD710G, TD730ME, TWD710G, TWD710P, TWD710PB, TWD730ME, TWD740GE

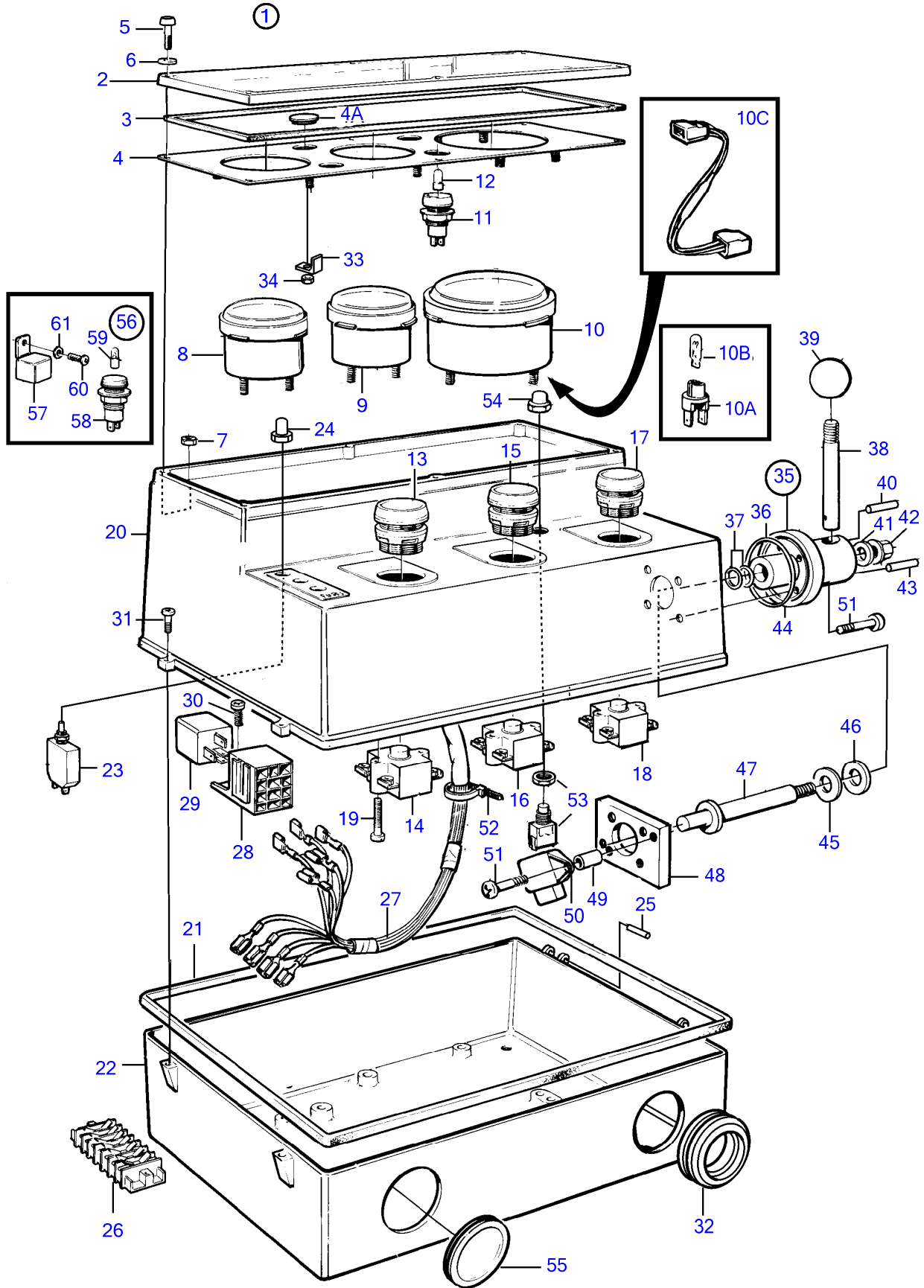
| REF | PART NO.  | QTY | DESCRIPTION            | NOTES     |
|-----|-----------|-----|------------------------|-----------|
| 62  |           | 2   | • • • Nut              |           |
| 63  |           | 1   | • • • Bushing          |           |
| 64  | 3094854   | 1   | • Brush set            | (6212621) |
| 65  | 6643679   | 4   | • Screw                |           |
|     | (244218)  | 4   | • Screw                |           |
| 66  | 941905    | 8   | • Spring washer        |           |
| 67  | 6643677   | 1   | • Bolt                 |           |
|     | (6643678) | 3   | • Bolt                 |           |
| 68  | 955892    | 4   | • Washer               |           |
| 69  | 955781    | 4   | • Hexagon nut          |           |
| 70  | (847987)  | 1   | • Cable                |           |
| 71  | 847988    | 1   | • Cable                |           |
| 72  | 240496    | 1   | • Protecting casing    |           |
| 73  | (243713)  | 2   | • Bolt                 |           |
| 74  | (6212619) | 2   | • Washer               | (240498)  |
| 75  | (72202)   | 2   | • Gasket               |           |
| 76  | (72201)   | 2   | • Washer               |           |
| 77  | 941906    | 2   | • Spring washer        |           |
| 78  | 956094    | 2   | • Cross recessed screw |           |
| 79  | (6212612) | 1   | • Field winding        |           |
| 80  | 241898    | 1   | • Starter solenoid     |           |
| 81  | 241897    | 1   | • Actuator solenoid    |           |
| 82  | 940090    | 3   | • Washer               |           |
| 83  | 955294    | 2   | • Hexagon screw        |           |
| 84  | 941907    | 2   | • Spring washer        |           |

TD71A, TID71A, TWD710V



TAD730V, TD71A, TD730ME, TD730VE, TID71A, TWD710V, TWD730ME, TWD731VE, TWD740VE





TAD730P, TWD710P, TWD710PB

| REF | PART NO. | QTY | DESCRIPTION                      | SEE SEC. | NOTES  |
|-----|----------|-----|----------------------------------|----------|--|
| 1   | 872479   | 1   | Hour recorder, hour meter        |          | 12/24V   |
|     | 849849   | 1   | Oil pressure gauge, oil pressure |          | 24V  |
|     | 849848   | 1   | Thermometer, temperature         |          | 24V  |
|     | 862096   | 1   | Voltmeter                        |          | 24V  |
| 2   | 858643   | 1   | Front ring                       |          |  |
| 3   | 808175   | 1   | Bulb socket                      |          | For bulb with base BA 7S.                                  |
|     | 863945   | 1   | Bulb socket                      |          | For bulb with base W2X4,6d.                                |
| 4   | 19923    | 1   | Bulb                             |          | 12Vx2W BA7S  |
|     | 863946   | 1   | Bulb                             |          | 12Vx1,2W W2x4,6d   |
|     | 182059   | 1   | Bulb                             |          | 24Vx3W BA7S  |
|     | 828818   | 1   | Bulb                             |          | 24Vx1,2W, W2x4,6d. white                                   |
|     | 863947   | 1   | Bulb                             |          | 24Vx1, 2W, W2x4,6d. red                                    |
| 5   | 873998   | 1   | Tachometer kit, hour/tachometer  |          | 12V-24V  |
| 6   | 863945   | 1   | • Bulb socket                    |          |  |
| 7   | 863947   | 1   | • Bulb                           |          |  |
| 8   | 873683   | 1   | • Ring                           |          |  |
| 9   | 873695   | 1   | • Diode cable                    |          |  |
| 10  | 873208   | 1   | • Brace kit                      |          |  |
| 11  |          | 2   | • • Nut                          |          |  |
| 12  | 873721   | 1   | Intermediate ring                |          |  |
| 13  | 3587072  | 1   | Starter switch                   |          |  |
| 14  | 859955   | 1   | • Plastic nut                    |          |  |
| 15  | 859953   | 2   | • Key                            |          | State key code when ordering                               |
| 16  | 874050   | 1   | Horn                             |          |  |
| 17  | 947760   | 1   | Flange screw                     |          |  |
| 18  | 807425   | 1   | Spacer sleeve                    |          |  |
| 19  | 827766   | 1   | Lens                             |          |  |
| 20  | 182059   | 1   | Bulb                             |          | 24Vx3W BA7S  |
| 21  | 819350   | 1   | Sleeve                           |          |  |
| 22  | 808175   | 1   | Bulb socket                      |          |  |
| 23  | (875819) | 1   | Switch                           |          |  |
| 24  | (837726) | 1   | • Knob                           |          |  |
| 25  | 843002   | 1   | • Nut                            |          |  |
| 26  | 1581232  | 1   | Level indicator                  |          | Not for expansion tank made of plastic., L=86mm            |
|     | 1581226  | 1   | Sensor                           |          | For expansion tank made of plastic., L=136mm               |
|     | 11170064 |     | Level sensor                     |          | For expansion tank made of plastic., With connection cable |
| 27  | 11994    | 1   | Gasket                           |          |  |
| 28  | 1622515  | 1   | Level relay                      |          |  |
| 29  | 941772   | 1   | Clamp                            |          |  |
| 30  | 862627   | 1   | Temperature sensor, oil          |          | To measure oil temp, to be mounted in oil sump., Max 150°C |
| 31  | 11998    | 1   | Gasket                           |          |  |
| 32  | 863312   | 1   | Adapter                          |          |  |
| 33  | 949329   | 1   | Gasket                           |          |  |
| 34  | 1307048  | 1   | Housing                          |          |  |
| 35  |          | X   | cables and terminals             | 54155358 |  |
| 36  |          | 1   | Battery box                      | 54171377 |  |
| 37  | (872613) | 1   | Timer relay                      |          |  |
| 38  | 874100   | 1   | • Timer relay                    |          |  |
| 39  | 944076   | 1   | • Housing                        | 54155358 |  |
|     |          | X   | • electrical materials           | 54155358 |  |
| 40  |          | 2   | Screw                            |          |  |
| 41  | 20382270 | 1   | Diode                            |          |  |

## TD71A, TID71A

| REF | PART NO.  | QTY | DESCRIPTION          |
|-----|-----------|-----|----------------------|
| 1   | 848875    | 1   | Clutch               |
| 2   | (862787)  | 1   | • Drive ring         |
| 3   | (863659)  | 1   | • Pressure plate     |
| 4   | (862786)  | 2   | • Disc               |
| 5   | (862788)  | 1   | • Spacer             |
| 6   | 6603881   | 1   | • Plate              |
| 7   | (846504)  | 1   | • Adjusting ring     |
| 8   | (846505)  | 1   | • • Adjusting plate  |
| 9   | (846507)  | 4   | • • Drive screw      |
| 10  | (846506)  | 1   | • • Lock screw       |
| 11  |           | 2   | •                    |
| 12  |           | 2   | •                    |
| 13  | (846503)  | 1   | • Release bearing    |
| 14  | (6603843) | 1   | • Release sleeve     |
| 15  | (6603832) | 3   | • Intermediate lever |
| 16  | (6603849) | 6   | • Link               |
| 17  | (6607836) | 12  | • Washer             |
| 18  | 6603882   | 3   | • Spring             |
| 19  | 865053    | 6   | • Pin                |
| 19A | 865054    | 6   | • Split pin          |
| 19B | 865055    | 6   | • Washer             |
| 20  | 6607835   | 12  | • Striker plate      |
| 21  | 846500    | 3   | • Pin                |
| 22  | (846502)  | 6   | • Washer             |
| 23  | 846501    | 6   | • Striker plate      |
| 24  | (862782)  | 1   | • Bearing carrier    |
| 25  | (862781)  | 1   | • Key                |
| 26  | 862784    | 1   | • Key                |
| 27  | (846495)  | 1   | • Lock screw         |
| 28  | (846492)  | 1   | • Screw              |
| 29  | (6603869) | 1   | • Lock washer        |
| 30  | (846487)  | 1   | • Striker plate      |
| 31  | (846488)  | 1   | • Lubricating hose   |
| 32  | (846493)  | 1   | • Lock ring          |
| 33  | (846490)  | 1   | • Sign               |
| 34  |           | 1   | •                    |
| 35  | (846496)  | 1   | • Lubricating nipple |
| 36  | 846497    | 2   | • Lubricating nipple |
| 37  | (846491)  | 2   | • Screw              |
| 38  | (862783)  | 2   | • Bearing            |
| 39  | (862785)  | 1   | • Shaft              |
| 40  |           | 1   | •                    |
| 41  |           | 1   | •                    |
| 42  | (6603877) | 1   | • Nut                |
| 43  | 6603878   | 1   | • Lock washer        |
| 44  | (846557)  | 1   | • Lock washer        |
| 45  | (846508)  | 1   | • Hand lever         |
| 46  | (846509)  | 1   | • • Screw            |
| 47  | (6603859) | 1   | • • Spring washer    |
| 48  | (846510)  | 1   | • • Nut              |
| 49  | (6603856) | 1   | • Fork               |
| 50  | 6603857   | 1   | • • Fork             |
| 51  | (6603858) | 2   | • • Screw            |
| 52  | (6603859) | 2   | • • Spring washer    |
| 53  | 6603896   | 1   | • Shaft              |
| 54  | (6603893) | 2   | • Key                |
| 55  |           | 1   | •                    |

TAD730P

| REF | PART NO. | QTY | DESCRIPTION      | NOTES                             |
|-----|----------|-----|------------------|-----------------------------------|
| 1   | (862736) | 1   | Friction clutch  | 11 1/2"-AP211 twin PTO Ser.62597. |
| 2   | 955535   | 12  | Hexagon screw    | 11 1/2"-AP211 twin PTO Ser.62597. |
| 3   | 942336   | 12  | Spring washer    |                                   |
| 4   | 955539   | 8   | Hexagon screw    | 11 1/2"-AP211 twin PTO Ser.62597. |
| 5   | 942336   | 8   | Spring washer    |                                   |
| 6   | 866412   | 1   | Ball bearing     | (849218)                          |
| 7   |          | 1   | Clutch flange    |                                   |
| 8   | 845618   | 1   | • Clutch flange  |                                   |
| 9   | 845617   | 1   | • Rubber element |                                   |
| 10  | 845616   | 1   | Clutch half      |                                   |
| 11  | 960691   | 8   | Hexagon screw    |                                   |
| 12  | 949869   | 8   | Spacer washer    |                                   |

I-D7-A-410-54150007

46234

Upd:9/5/2022

TAD730P, TWD710P, TWD710PB

| REF | PART NO.  | QTY | DESCRIPTION          | NOTES                  |
|-----|-----------|-----|----------------------|------------------------|
| 1   | (1080437) | 1   | Compressor           | E.U=3803136            |
|     | (3803136) | 1   | Compressor, reman    | E.U=3803136            |
| 2   |           | 1   | • Housing            |                        |
| 3   | (1518347) | 2   | • • Valve seat       |                        |
| 4   | (1518348) | 2   | • • Bushing          |                        |
| 5   |           | 1   | • Lock               |                        |
| 6   | 1518350   | 1   | • • Bushing          |                        |
| 6A  | 1699845   | 1   | • • O-ring           | (1696201)              |
| 7   | 955295    | 6   | • Hexagon screw      |                        |
| 8   | 941907    | 6   | • Spring washer      |                        |
| 13  | (1518353) | 1   | • Crankshaft         |                        |
| 14  | 11014     | 1   | • Ball bearing       |                        |
| 15  | (346520)  | 1   | • Lock ring          |                        |
| 16  | (1518354) | 1   | • Spacer ring        |                        |
| 17  | 1518355   | 1   | • Nut                |                        |
| 18  | (1517545) | 1   | • Key                |                        |
| 19  | (3090257) | 2   | • Connecting rod     | (1518356)              |
| 20  | (1518357) | 4   | • • Screw            |                        |
| 21  | (328738)  | 4   | • • Lock washer      |                        |
| 22  | 3094151   | 2   | • Piston             | Std D (1697706)        |
|     | (3094152) | 2   | • Piston             | O.S=0,25mm (1697707)   |
|     | (3094153) | 2   | • Piston             | O.S=0,50mm (1697708)   |
| 23  | 1518361   | 2   | • • Piston ring      | Std D, Repl by 3094155 |
|     | 1518362   | 2   | • • Piston ring      | O.S=0,25mm             |
|     | (1518363) | 2   | • • Piston ring      | O.S=0.50mm             |
| 24  | 1518364   | 2   | • • Piston ring      | Std D, Repl by 3094155 |
|     | (1518365) | 2   | • • Piston ring      | O.S=0,25mm             |
|     | (1518366) | 2   | • • Piston ring      | O.S=0.50mm             |
| 25  | 1518367   | 2   | • • Oil scraper ring | Std D, Repl by 3094155 |
|     | (1518368) | 2   | • • Oil scraper ring | O.S=0,25mm             |
|     | (1518369) | 2   | • • Piston ring      | O.S=0.50mm             |
| 26  |           | 2   | • • Piston pin       |                        |
| 27  | (1518371) | 4   | • • Lock ring        |                        |
| 28  | 1518372   | 1   | • Plate              |                        |
| 29  | 1697704   | 1   | • Gasket             |                        |
| 30  |           | 1   | • Cylinder head      |                        |
| 31  | 1697705   | 1   | • Gasket             |                        |
| 32  | (1518376) | 11  | • Screw              |                        |
|     | (1518377) | 2   | • Screw              |                        |
| 33  |           | 13  | • Spring washer      |                        |
| 34  | (1518378) | 1   | • Lock pin           |                        |
| 35  |           | 2   | • Valve spring       |                        |
| 36  |           | 2   | • Washer             |                        |
| 37  |           | 2   | • Piston             |                        |
| 38  |           | 2   | • O-ring             |                        |
| 39  | (1518687) | 1   | • Spring             | Replaced by 270698     |
| 40  | (1518379) | 1   | • Pressure plate     |                        |
| 41  |           | 2   | • Spring             |                        |
| 42  |           | 2   | • Valve              |                        |
| 43  |           | 2   | • Guide              |                        |
| 44  | 968145    | 1   | • Plug               |                        |
| 45  | 3090471   | 1   | Repair kit           | See group 99 (270698)  |
|     | 3094155   | 1   | Piston ring kit      | Std D                  |
|     | 3094156   | 1   | Piston ring kit      | O.S=0,25mm             |
|     | (270614)  | 1   | Piston ring kit      | O.S=0.50mm             |

## TAD730P

| REF | PART NO. | QTY | DESCRIPTION           | NOTES  |
|-----|----------|-----|-----------------------|--|
| 1   | 8150407  | 1   | Compressor            | Early type   |
|     | 3803262  | 1   | Compressor, reman     | Early type   |
|     |          |     | .                     |  |
| 1A  | 346918   | 1   | • Castle nut          |  |
| 2   | 478777   | 1   | Gear                  |  |
| 3   | 975610   | 1   | O-ring                |  |
| 4   | 967951   | 3   | Stud                  |  |
| 5   | 941911   | 3   | Spring washer         |  |
| 6   | 971097   | 3   | Flange nut            |  |
| 7   | (866161) | 1   | T-nipple              |  |
| 8   | 946652   | X   | Rubber hose           | L=450mm  |
| 9   | 943472   | 4   | Hose clamp            |  |
| 10  | 961653   | 1   | Hose nipple           |  |
| 11  | 979270   | 1   | Hose nipple           |  |
| 12  | 946652   | X   | Rubber hose           | L=500mm  |
| 13  | 957173   | 1   | Gasket                |  |
| 14  | 963947   | 1   | Nipple                |  |
| 15  | 977651   | 1   | Hose assembly         |  |
| 16  | 946089   | 1   | Nipple                |  |
| 17  | 949657   | 1   | O-ring                |  |
| 18  | 945895   | 1   | Hexagon nut           |  |
| 19  | 968696   | 1   | Nipple                |  |
| 20  | 966434   | 1   | Elbow nipple          |  |
| 21  | 945460   | X   | Tube                  |  |
| 22  | 976444   | 3   | Nipple                |  |
| 23  | 968694   | 2   | Nipple                |  |
| 24  | 1505047  | 1   | Governor              | Replaced by regulator 3944252 and 2 ea spacer washer 946048. |
|     |          |     | .                     |  |
|     | 3944252  | 1   | Governor              |  |
|     |          |     | .                     |  |
| 25  | 968060   | X   | Plug                  |  |
| 26  | 965543   | 1   | Bracket               |  |
| 27  | 965218   | 2   | Flange screw          |  |
| 28  | 849227   | 1   | Hose coupling         |  |
| 29  | 945408   | 1   | Flange nut            |  |
| 30  | 946440   | 1   | Flange screw          |  |
| 31  | 471626   | 1   | Rubber moulding       |  |
| 32  | 947628   | 1   | Gasket                |  |
| 33  | 978281   | 1   | Nipple                |  |
| 34  | 191620   | 1   | Hollow screw          |  |
| 35  | 1598185  | 1   | Banjo nipple          |  |
| 36  | 947628   | 2   | Gasket                |  |
| 37  | 994559   | 2   | Hose clamp            |  |
| 38  | 967553   | X   | Hose                  | L=520mm  |
| 39  | 1094583  | 1   | Bracket               |  |
| 40  |          |     |                       |  |
| 41  | 8152010  | 1   | Air filter            |  |
| 42  | 946440   | 1   | Flange screw          |  |
| 43  | 849397   | 1   | Bracket               |  |
| 44  |          | 1   | Screw                 | See group 25   |
| 45  | 6645225  | 1   | Repair kit, regulator |  |

TAD730P, TAD730V, TD71A, TD730ME, TD730VE, TID71A, TWD710P, TWD710PB, TWD710V, TWD730ME, TWD731VE, TWD740VE

| REF | PART NO.  | QTY | DESCRIPTION                | NOTES                 |
|-----|-----------|-----|----------------------------|-----------------------|
| 1   | 8150407   | 1   | Compressor                 | Knorr LP48 ESS        |
|     | 3803262   | 1   | Compressor, reman          | Knorr LP48 ESS        |
| 2   |           | 1   | • Housing                  |                       |
| 3   | 3090382   | 2   | • Repair kit               | Compl repl by 3095842 |
| 4   | 3095842   | 1   | • • Cap                    |                       |
| 5   |           | 4   | • • Screw                  |                       |
| 6   |           | 1   | • Crankshaft               |                       |
|     | 3095842   | 1   | Cap                        |                       |
| 7   | (3090385) | 1   | • Bearing cover            |                       |
| 8   |           | 1   | • • Lock                   |                       |
| 9   | 1697093   | 1   | • • O-ring                 |                       |
| 10  | 965215    | 4   | • Flange screw             |                       |
| 11  | 3090383   | 1   | • Repair kit               |                       |
| 12  |           | 2   | • • Bushing                |                       |
| 13  | 1697093   | 1   | • • O-ring                 |                       |
| 14  |           | 2   | • • Bushing                |                       |
| 15  |           | 4   | • • Washer                 |                       |
| 16  |           | 4   | • • Screw                  |                       |
| 17  |           | 1   | • Nut                      |                       |
| 18  | (3097147) | 2   | • Repair kit, with pistons |                       |
| 19  | (3090386) | 2   | • Connecting rod           |                       |
| 20  |           | 1   | • • Connecting rod         |                       |
| 21  |           | 1   | • • Bushing                |                       |
| 22  |           | 2   | • • Washer                 |                       |
| 23  |           | 2   | • • Screw                  |                       |
| 24  | (1697282) | 2   | • Piston                   |                       |
| 25  |           | 1   | • • Piston                 |                       |
| 26  |           | 1   | • • Piston pin             |                       |
| 27  |           | 2   | • • Snap ring              |                       |
| 28  | (3090388) | 1   | • • Piston ring kit        |                       |
| 29  |           | 1   | • • • Piston ring          |                       |
| 30  |           | 2   | • • • Piston ring          |                       |
| 31  |           | 1   | • Cylinder head            |                       |
| 32  |           | 1   | • • Cylinder head          |                       |
| 33  |           | 1   | • • Plug                   |                       |
| 34  |           | 1   | • • Sealing ring           |                       |
| 35  | (3090377) | 1   | • Gasket kit               |                       |
| 36  |           | 1   | • • Gasket                 |                       |
| 37  |           | 1   | • • Gasket                 |                       |
| 38  |           | 6   | • • Screw                  |                       |
| 39  | (3091740) | 1   | • Valve kit, inlet valve   | (3090379)             |
| 40  | (3091591) | 1   | • Valve kit, inlet         |                       |
| 41  |           | 1   | • Valve body               |                       |

TD71A, TID71A

| REF | PART NO.  | QTY | DESCRIPTION       | NOTES             |
|-----|-----------|-----|-------------------|-------------------|
| 1   | 1622520   | 1   | Engine heater     | 220-240V, 1500W   |
| 2   | 1622521   | 1   | • Heater          |                   |
| 3   |           | 1   | • cable           |                   |
| 4   | 469328    | 1   | • Gasket          |                   |
| 5   |           | 1   | • heat shield     |                   |
| 6   | 8153706   | 1   | • Extension cable | L=250mm (1129295) |
|     | (1129296) | 1   | • Extension cable | L=5000mm          |

TWD740GE

| REF | PART NO.  | QTY | DESCRIPTION       | NOTES           |
|-----|-----------|-----|-------------------|-----------------|
| 1   | (3830817) | 1   | Engine heater     |                 |
| 2   | 865077    | 1   | • Engine heater   | 220-240V, 2000W |
| 3   | 952970    | X   | • Hose            | L=1250mm        |
| 4   | 943473    | 4   | • Hose clamp      |                 |
| 5   | 942590    | 2   | • Elbow nipple    | 45°             |
| 6   | 965555    | 1   | • Bracket         |                 |
| 7   | 823492    | 1   | • Spacer sleeve   |                 |
| 8   | 946470    | 1   | • Flange screw    |                 |
| 9   | 948645    | 1   | • Flange lock nut |                 |
| 10  | 821335    | 1   | Adapter           | O.D=49mm        |
|     | 862335    | 1   | Plug              | O.D=35mm        |
| 11  |           |     | Connector         |                 |

TD71A, TID71A

| REF | PART NO. | QTY | DESCRIPTION    | SEE SEC. | NOTES                  |
|-----|----------|-----|----------------|----------|------------------------|
| 1   |          |     |                | 54144858 |                        |
|     |          |     |                | 54144858 |                        |
|     |          |     |                | 54144858 |                        |
|     | 843888   | 1   | Hydraulic pump | 54144858 | Ers av 1589925         |
|     |          |     | .              | 54144858 |                        |
| 2   | 943646   | 1   | O-ring         |          |                        |
| 3   | 465059   | 1   | Gear           |          | SN-XXXXXXXXXX/32960    |
|     | 478296   | 1   | Gear, gear     |          | SN XXXXXXXXXXXX/32961- |
|     |          |     |                |          | Nitro                  |
| 4   | 1589593  | 1   | Nut retainer   |          |                        |
| 5   | 955535   | 2   | Hexagon screw  |          |                        |
| 6   | 942336   | 2   | Spring washer  |          |                        |
| 7   | 940097   | 2   | Washer         |          |                        |
| 8   | 946840   | 1   | Banjo fitting  |          |                        |
| 9   | (192566) | 1   | Banjo nipple   |          |                        |
| 10  | 947622   | 2   | Gasket         |          |                        |
| 11  | 941686   | 1   | Hollow screw   |          |                        |
| 12  | 956988   | 1   | Fitting nut    |          |                        |
| 13  | (956974) | 1   | Ferrule        |          |                        |

I-D7-A-900-54144855

46402

Upd:9/5/2022

## TD71A, TID71A

| REF | PART NO. | QTY | DESCRIPTION    | NOTES        |
|-----|----------|-----|----------------|--------------|
| 1   | (836462) | 1   | Bracket        |              |
| 2   | 366822   | 1   | Filter         |              |
| 3   | 955525   | 3   | Hexagon screw  |              |
| 4   | 941907   | 3   | Spring washer  |              |
| 5   | (836440) | 1   | Filter housing |              |
| 6   | 961606   | 1   | Hose nipple    |              |
| 7   | 952969   | X   | Hose           | L=400mm      |
| 8   | 943472   | 6   | Hose clamp     |              |
| 9   | (365287) | 2   | Faucet         |              |
| 10  | 827932   | 2   | T-pipe         |              |
| 11  | 82745    | 2   | Shut-off cock  |              |
| 12  | 821335   | 1   | Adapter        | See group 2A |
| 13  | 469328   | 1   | Gasket         |              |
| 14  | 976040   | 1   | Hose nipple    | (961656)     |
| 15  | 952969   | X   | Hose           | L=800mm      |
| 16  | 365275   | 1   | Flow indicator |              |

TD730VE

| REF | PART NO.  | QTY | DESCRIPTION                                  | NOTES |
|-----|-----------|-----|--|-------|
|     | 424628    | 1   | • Gasket                                     |       |
|     | 471626    | 1   | • Rubber moulding                            |       |
|     | 275949    | 1   | Repair kit, turbo                            |       |
|     |           | 1   | • Sealing ring                               |       |
|     | (1696914) | 4   | • Screw                                      |       |
|     |           | 1   | • Piston ring                                |       |
|     |           | 3   | • Screw                                      |       |
|     |           | 1   | • Thrust bearing                             |       |
|     |           | 4   | • Snap ring                                  |       |
|     |           | 2   | • Bearing                                    |       |
|     |           | 1   | • Piston ring                                |       |
|     | (1695980) | 4   | • Screw                                      |       |
|     |           | 2   | • Lock washer                                |       |
|     | (1695982) | 6   | • Screw                                      |       |
|     |           | 6   | • Lock washer                                |       |
|     | (1696668) | 2   | • Striker plate                              |       |
|     | 85107763  | 1   | Water pump kit                               |       |
|     | 984935    | 1   | Sealing ring                                 |       |
|     | 421549    | 1   | Shaft  |       |
|     | 471499    | 1   | Ball bearing                                 |       |
|     | 471493    | 1   | Snap ring                                    |       |
|     | 471495    | 1   | Lock spring                                  |       |
|     | 471497    | 1   | O-ring                                       |       |
|     | 3183650   | 1   | Cover  |       |
|     | 1676432   | 1   | Sealing ring                                 |       |
|     |           | 1   | Impeller                                     |       |
|     | 468249    | 1   | Shaft  |       |
|     | 925095    | 1   | O-ring                                       |       |
|     | 477059    | 1   | O-ring                                       |       |
|     | 469982    | 4   | Sealing ring                                 |       |
|     | 975673    | 1   | O-ring                                       |       |
|     | 471637    | 1   | Sealing ring                                 |       |
|     | 471708    | 1   | Rubber moulding                              |       |
|     | 876652    | 1   | De-carbonizing kit, additional decarbonizing |       |
|     | 20591544  | 2   | • Gasket                                     |       |
|     | 469456    | 12  | • Protecting ring                            |       |
|     | 471520    | 2   | • Gasket                                     |       |
|     | 471856    | 9   | • Sealing ring                               |       |
|     | 477449    | 12  | • Valve cap                                  |       |
|     | 859171    | 12  | • Valve stem seal                            |       |
|     | 876674    | 1   | Overhaul gasket kit, additional recondition  |       |
|     | 11992     | 1   | • Gasket                                     |       |
|     | 18677     | 5   | • Gasket                                     |       |
|     | 18813     | 3   | • Gasket                                     |       |
|     | 421158    | 1   | • Sealing ring                               |       |
|     | 20555696  | 1   | • Sealing ring                               |       |
|     | 423123    | 1   | • Sealing ring                               |       |
|     | 3829433   | 2   | • Intake gasket                              |       |
|     | 466405    | 6   | • Sealing ring                               |       |
|     | 466420    | 6   | • Ring                                       |       |
|     | 466874    | 6   | • Sealing ring                               |       |
|     | 466922    | 6   | • O-ring                                     |       |
|     | 469455    | 6   | • Sealing ring                               |       |
|     | 469477    | 1   | • Sealing ring                               |       |
|     | 469846    | 2   | • Sealing ring                               |       |
|     | 470383    | 2   | • Sealing ring                               |       |
|     | 471321    | 1   | • Sealing ring                               |       |
|     | 471467    | 2   | • Sealing ring                               |       |
|     | 471629    | 1   | • Sealing ring                               |       |
|     | 471788    | 1   | • Sealing ring                               |       |
|     | 471816    | 1   | • Sealing ring                               |       |
|     | 471956    | 4   | • Gasket                                     |       |
|     | 477016    | 1   | • Sealing washer                             |       |

TD71A

| REF | PART NO.  | QTY | DESCRIPTION                                  | NOTES |
|-----|-----------|-----|--|-------|
|     | 275949    | 1   | Repair kit, turbo                            |       |
|     |           | 1   | • Sealing ring                               |       |
|     | (1696914) | 4   | • Screw                                      |       |
|     |           | 1   | • Piston ring                                |       |
|     |           | 3   | • Screw                                      |       |
|     |           | 1   | • Thrust bearing                             |       |
|     |           | 4   | • Snap ring                                  |       |
|     |           | 2   | • Bearing                                    |       |
|     |           | 1   | • Piston ring                                |       |
|     | (1695980) | 4   | • Screw                                      |       |
|     |           | 2   | • Lock washer                                |       |
|     | (1695982) | 6   | • Screw                                      |       |
|     |           | 6   | • Lock washer                                |       |
|     | (1696668) | 2   | • Striker plate                              |       |
|     | 85107763  | 1   | Water pump kit                               |       |
|     | 984935    | 1   | • Sealing ring                               |       |
|     | 421549    | 1   | • Shaft                                      |       |
|     | 471499    | 1   | • Ball bearing                               |       |
|     | 471493    | 1   | • Snap ring                                  |       |
|     | 471495    | 1   | • Lock spring                                |       |
|     | 471497    | 1   | • O-ring                                     |       |
|     | 3183650   | 1   | • Cover                                      |       |
|     | 1676432   | 1   | • Sealing ring                               |       |
|     |           | 1   | • Impeller                                   |       |
|     | 468249    | 1   | • Shaft                                      |       |
|     | 925095    | 1   | • O-ring                                     |       |
|     | 477059    | 1   | • O-ring                                     |       |
|     | 469982    | 4   | • Sealing ring                               |       |
|     | 975673    | 1   | • O-ring                                     |       |
|     | 471637    | 1   | • Sealing ring                               |       |
|     | 471708    | 1   | • Rubber moulding                            |       |
|     | 275781    | 1   | De-carbonizing kit, additional decarbonizing |       |
|     | 478074    | 12  | • Valve cap                                  |       |
|     | 469456    | 12  | • Protecting ring                            |       |
|     | 471520    | 2   | • Gasket                                     |       |
|     | 471856    | 4   | • Sealing ring                               |       |
|     | 471788    | 11  | • Sealing ring                               |       |
|     | 876063    | 1   | Overhaul gasket kit, additional recondition  |       |
|     | 11994     | 6   | • Gasket                                     |       |
|     | 18677     | 1   | • Gasket                                     |       |
|     | 18813     | 1   | • Gasket                                     |       |
|     | 240017    | 1   | • Gasket                                     |       |
|     | 20591544  | 2   | • Gasket                                     |       |
|     | 421158    | 1   | • Sealing ring                               |       |
|     | 20555696  | 1   | • Sealing ring                               |       |
|     | 423123    | 1   | • Sealing ring                               |       |
|     | 424580    | 1   | • Sealing ring                               |       |
|     | 466874    | 6   | • Sealing ring                               |       |
|     | 469477    | 1   | • Sealing ring                               |       |
|     | 469846    | 2   | • Sealing ring                               |       |
|     | 470383    | 2   | • Sealing ring                               |       |
|     | 471321    | 1   | • Sealing ring                               |       |
|     | 471467    | 2   | • Sealing ring                               |       |
|     | 471629    | 1   | • Sealing ring                               |       |
|     | 471816    | 1   | • Sealing ring                               |       |
|     | 471956    | 4   | • Gasket                                     |       |
|     | 477118    | 1   | • Sealing ring                               |       |
|     | 11030779  | 1   | • Gasket                                     |       |
|     | 925092    | 2   | • O-ring                                     |       |
|     | 925094    | 1   | • O-ring                                     |       |
|     | 925257    | 1   | • O-ring                                     |       |
|     | 1275379   | 1   | • Gasket                                     |       |
|     | 947281    | 2   | • Gasket                                     |       |

TAD740GE

| REF | PART NO. | QTY | DESCRIPTION                         | NOTES |
|-----|----------|-----|-------------------------------------|-------|
|     | 967344   | 1   | O-ring                              |       |
|     | 477059   | 1   | O-ring                              |       |
|     | 469982   | 4   | Sealing ring                        |       |
|     | 975673   | 1   | O-ring                              |       |
|     | 471637   | 1   | Sealing ring                        |       |
|     | 471708   | 1   | Rubber moulding                     |       |
|     | 877204   | 1   | Gasket, decarbonizing               |       |
|     | 20591544 | 2   | • Gasket                            |       |
|     | 471788   | 1   | • Sealing ring                      |       |
|     | 477449   | 12  | • Valve cap                         |       |
|     | 477968   | 2   | • Sealing strip                     |       |
|     | 859171   | 12  | • Valve stem seal                   |       |
|     | 883161   | 1   | • Box                               |       |
|     | 925069   | 1   | • O-ring                            |       |
|     | 1544710  | 1   | • Sealing ring                      |       |
|     | 8192526  | 4   | • Bushing                           |       |
|     | 876705   | 1   | Overhaul gasket kit, reconditioning |       |
|     | 471856   | 5   | • Sealing ring                      |       |
|     | 421158   | 1   | • Sealing ring                      |       |
|     | 471321   | 1   | • Sealing ring                      |       |
|     | 925094   | 1   | • O-ring                            |       |
|     | 947624   | 2   | • Gasket                            |       |
|     | 1546221  | 1   | • Sealing ring                      |       |
|     | 423123   | 1   | • Sealing ring                      |       |
|     | 925257   | 1   | • O-ring                            |       |
|     | 1275379  | 1   | • Gasket                            |       |
|     | 975610   | 1   | • O-ring                            |       |
|     | 11030779 | 1   | • Gasket                            |       |
|     | 4804167  | 1   | • Gasket                            |       |
|     | 949659   | 3   | • O-ring                            |       |
|     | 471956   | 5   | • Gasket                            |       |
|     | 470383   | 1   | • Sealing ring                      |       |
|     | 466874   | 6   | • Sealing ring                      |       |
|     | 949656   | 4   | • O-ring                            |       |
|     | 949722   | 1   | • O-ring                            |       |
|     | 20555696 | 1   | • Sealing ring                      |       |
|     | 471467   | 2   | • Sealing ring                      |       |
|     | 969011   | 20  | • Gasket                            |       |
|     | 947620   | 15  | • Gasket                            |       |
|     | 240017   | 1   | • Gasket                            |       |
|     | 947281   | 2   | • Gasket                            |       |
|     | 11994    | 4   | • Gasket                            |       |
|     | 469455   | 6   | • Sealing ring                      |       |
|     | 18665    | 1   | • Gasket                            |       |
|     | 1542778  | 1   | • V-clamp                           |       |
|     | 1542781  | 1   | • Sealing ring                      |       |
|     | 471629   | 1   | • Sealing ring                      |       |
|     | 947071   | 3   | • Tab washer                        |       |
|     | 925092   | 2   | • O-ring                            |       |
|     | 469477   | 1   | • Sealing ring                      |       |
|     | 18677    | 1   | • Gasket                            |       |
|     | 466420   | 6   | • Ring                              |       |
|     | 466405   | 6   | • Sealing ring                      |       |
|     | 466922   | 6   | • O-ring                            |       |
|     | 947627   | 1   | • Gasket                            |       |
|     | 469846   | 2   | • Sealing ring                      |       |
|     | 11992    | 1   | • Gasket                            |       |
|     | 477118   | 1   | • Sealing ring                      |       |
|     | 477119   | 1   | • Crankshaft seal                   |       |
|     | 925054   | 1   | • O-ring                            |       |
|     | 947629   | 1   | • Gasket                            |       |
|     | 477016   | 1   | • Sealing washer                    |       |
|     | 18813    | 2   | • Gasket                            |       |

TD730ME

| REF | PART NO.  | QTY | DESCRIPTION                                  | NOTES |
|-----|-----------|-----|--|-------|
|     | 471637    | 1   | • Sealing ring                               |       |
|     | 471708    | 1   | • Rubber moulding                            |       |
|     | 1674237   | 1   | • Cover                                      |       |
|     | 1675808   | 1   | • Impeller                                   |       |
|     | 876565    | 1   | Gasket kit, turbo                            |       |
|     | 420618    | 1   | • Gasket                                     |       |
|     | 420641    | 1   | • Plane gasket                               |       |
|     | 420642    | 1   | • Gasket                                     |       |
|     | 420643    | 1   | • Plane gasket                               |       |
|     | 424628    | 1   | • Gasket                                     |       |
|     | 275949    | 1   | Repair kit, turbo                            |       |
|     |           | 1   | • Sealing ring                               |       |
|     |           | 4   | • Screw                                      |       |
|     |           | 1   | • Piston ring                                |       |
|     |           | 3   | • Screw                                      |       |
|     |           | 1   | • Thrust bearing                             |       |
|     |           | 4   | • Snap ring                                  |       |
|     |           | 2   | • Bearing                                    |       |
|     |           | 1   | • Piston ring                                |       |
|     | (1695980) | 4   | • Screw                                      |       |
|     |           | 2   | • Lock washer                                |       |
|     |           | 6   | • Screw                                      |       |
|     |           | 6   | • Lock washer                                |       |
|     |           | 2   | • Lock washer                                |       |
|     | 876652    | 1   | De-carbonizing kit, additional decarbonizing |       |
|     | 471856    | 9   | Sealing ring                                 |       |
|     | 471520    | 2   | Gasket                                       |       |
|     | 477449    | 12  | Valve cap                                    |       |
|     | 469456    | 12  | Protecting ring                              |       |
|     | 859171    | 12  | Valve stem seal                              |       |
|     | 421121    | 2   | Gasket                                       |       |
|     | 876674    | 1   | Overhaul gasket kit, additional recondition  |       |
|     | 11992     | 1   | Gasket                                       |       |
|     | 18677     | 5   | Gasket                                       |       |
|     | 18813     | 3   | Gasket                                       |       |
|     | 421158    | 1   | Sealing ring                                 |       |
|     | 421629    | 1   | Rubber moulding                              |       |
|     | 423123    | 1   | Sealing ring                                 |       |
|     | 424612    | 2   | Gasket                                       |       |
|     | 466405    | 6   | Sealing ring                                 |       |
|     | 466420    | 6   | Ring   |       |
|     | 466874    | 6   | Sealing ring                                 |       |
|     | 466922    | 6   | O-ring                                       |       |
|     | 469455    | 6   | Sealing ring                                 |       |
|     | 469477    | 1   | Sealing ring                                 |       |
|     | 469846    | 2   | Sealing ring                                 |       |
|     | 470383    | 2   | Sealing ring                                 |       |
|     | 471321    | 1   | Sealing ring                                 |       |
|     | 471467    | 2   | Sealing ring                                 |       |
|     | 471629    | 1   | Sealing ring                                 |       |
|     | 471788    | 1   | Sealing ring                                 |       |
|     | 471816    | 1   | Sealing ring                                 |       |
|     | 471956    | 4   | Gasket                                       |       |
|     | 477016    | 1   | Sealing washer                               |       |
|     | 477118    | 1   | Sealing ring                                 |       |
|     | 477119    | 1   | Crankshaft seal                              |       |
|     | 925054    | 1   | O-ring                                       |       |
|     | 925092    | 2   | O-ring                                       |       |
|     | 925094    | 1   | O-ring                                       |       |
|     | 925257    | 1   | O-ring                                       |       |
|     | 947281    | 2   | Gasket                                       |       |
|     | 947620    | 12  | Gasket                                       |       |
|     | 947622    | 4   | Gasket                                       |       |

| REF | PART NO. | QTY | DESCRIPTION         |
|-----|----------|-----|---------------------|
| 1   | 3803311  | 2   | Cylinder head       |
| 2   | 421011   | 6   | • Valve seat        |
| 3   | 466266   | 6   | • Valve seat        |
| 4   | 466386   | 12  | • Valve guide       |
| 5   | 466405   | 6   | • Sealing ring      |
| 6   | 466403   | 6   | • Sleeve            |
| 7   | 477026   | 8   | • Expansion plug    |
| 7A  | 477026   | 6   | • Expansion plug    |
| 8   | 947626   | 4   | • Gasket            |
| 9   | 477024   | 8   | • Expansion plug    |
| 10  | 466420   | 6   | • Ring              |
| 11  | 466922   | 6   | • O-ring            |
| 12  | 465420   | 10  | • Jet               |
| 13  | 466379   | 6   | • Inlet valve       |
| 14  | 842080   | 6   | • Exhaust valve     |
| 15  | 466384   | 12  | Valve spring        |
| 16  | 466383   | 12  | Valve spring        |
| 17  | 466382   | 12  | Valve spring washer |
| 18  | 468305   | 24  | Valve cotter        |
| 19  | 469456   | 12  | Protecting ring     |
| 20  | 478074   | 12  | Valve cap           |
| 21  | 471511   | 6   | Bearing bracket     |
| 22  | 471512   | 4   | Stud                |
| 23  | 471513   | 8   | Screw               |
| 24  | 471518   | 2   | Rocker arm shaft    |
| 25  | 946778   | 2   | • Cap plug          |
| 26  | 422063   | 12  | Rocker arm          |
| 27  | 422066   | 12  | • Bushing           |
| 28  | 423058   | 12  | • Ball stud         |
| 29  | 940175   | 12  | • Hexagon nut       |
| 30  | 421173   | 4   | Spring              |
| 31  | 914459   | 4   | Snap ring           |
| 32  | 941488   | 4   | Washer              |
| 33  | 275779   | 2   | Gasket kit          |
| 34  |          | 2   | •                   |
| 35  | 465784   | 12  | • Sealing ring      |
|     | 466421   | 16  | • Sealing ring      |
|     | 422413   | 2   | • Sealing ring      |
| 36  | 471481   | 40  | Flange screw        |
| 37  | 471813   | 2   | Valve cover         |
| 38  | 471426   | 2   | Valve cover         |
| 39  | 465961   | 4   | Cap nut             |
| 40  | 471856   | 4   | Sealing ring        |
| 41  | 471520   | 2   | Gasket              |
| 42  | 421753   | 2   | Oil filler cap      |
| 43  | 940096   | 2   | Gasket              |
| 44  | 848261   | 1   | Breather cap        |
| 45  | 940096   | 1   | Gasket              |
| 46  | 844508   | 1   | Hose                |
| 47  | 943473   | 1   | Hose clamp          |
| 48  | 943717   | 1   | Clamp               |
| 49  | 946440   | 1   | Flange screw        |

| REF | PART NO. | QTY | DESCRIPTION  | NOTES   |
|-----|----------|-----|--------------|---|
| 1   | (864260) | 1   | Flywheel     | When spacer 862298 or 865084 are installed.   |
|     | 3825775  | 1   | Flywheel     | For Clark 28000 and C270., (3825178) (848486)   |
|     | (848484) | 1   | Flywheel     | For Twin Disc TT3000 und TT2000.  |
|     | 864292   | 1   | Flywheel     | For Clark 24000.  |
|     | (848488) | 1   | Flywheel     | For Volvos 15" vehicle clutch.  |
|     | (864535) | 1   | Flywheel     | For ZF WG 150., For ZF WG 180 with strap connection.  |
|     | 848640   | 1   | Flywheel     | For ZF WG 180 with disc drive., Repl by fly wheel 864535, spacer 862298 and 6ea screw 465826. |
|     | (866742) | 1   | Flywheel     | For Clark 34000, C8000 and C5000.   |
| 2   | 420314   | 1   | • Ring gear  | (420067)  |
|     | 8193939  | 1   | • Ring gear  | For 866742  |
| 2A  | 3825182  | 1   | • Bushing    | For 866742, 3825178   |
| 2   |          |     |              | 3825775   |
| 3   | 865084   | 1   | Spacer       | For ZF WG 150.  |
|     | (862298) | 1   | Spacer       | For ZF WG 180 with strap connection.  |
| 4   | 465825   | 6   | Flange screw | L=39mm  |
|     | 465826   | 6   | Flange screw | When spacer 862298 or 865084 are installed., L=50mm   |
| 5   | 181335   | 1   | Ball bearing | For Volvos 15" vehicle clutch.  |
| 6   | (466050) | 1   | Lock washer  | For Volvos 15" vehicle clutch.  |
| 7   | 471716   | 1   | Flywheel     | For Allison MT643 with Volvo Penta flywheel housing.  |
|     | (848490) | 1   | Flywheel     | For MT643 with flywheel housing of vehicle type.  |
| 8   | 420314   | 1   | • Ring gear  |   |
| 9   | 950677   | 1   | Pin          |   |
| 10  | 3827292  | 1   | Flexplate    |   |
| 11  | 466306   | 1   | Spacer plate |   |
| 12  | 465826   | 6   | Flange screw | L=50mm  |

| REF | PART NO.  | QTY | DESCRIPTION            | NOTES                                    |
|-----|-----------|-----|------------------------|--|
| 1   | 1578938   | 1   | Alternator             | For 24 voltage electric system., 14V 90A |
| 2   | (244334)  | 1   | • Stator               |  |
| 3   |           | 1   | •                      |  |
| 4   |           | 1   | • •                    |  |
| 5   | 183486    | 1   | • Ball bearing         |  |
| 6   | (1698179) | 1   | • Retainer             | (243287)                                 |
| 7   | (244328)  | 1   | • Ball bearing         |  |
| 8   | (244331)  | 1   | • O-ring               |  |
| 9   | 244610    | 1   | • Rectifier            |  |
| 10  | (244336)  | 3   | • Screw                |  |
| 11  |           | 1   | •                      |  |
| 12  |           | 1   | •                      |  |
| 13  | (1324962) | 4   | • Screw                |  |
| 14  | 940090    | 4   | • Washer               |  |
| 15  | 244347    | 1   | • Capacitor            |  |
| 16  | 956075    | 1   | • Cross recessed screw |  |
| 17  | 941904    | 1   | • Spring washer        |  |
| 18  | (244338)  | 1   | • Gasket               |  |
| 19  | 244612    | 1   | • Charge regulator     | 12V                                      |
| 20  | 244427    | 1   | • • Brush set          |  |
| 21  | 1698435   | 2   | • • Carbon brush set   | (1323485)                                |
| 22  | (1323069) | 2   | • Screw                |  |
| 23  | 941904    | 2   | • Spring washer        |  |
| 26  | (273503)  | 1   | • Repair kit           |  |

CLICK HERE TO **DOWNLOAD** THE COMPLETE MANUAL

- Thank you very much for reading the preview of the manual.
- You can download the complete manual from: [www.heydownloads.com](http://www.heydownloads.com) by clicking the link below



- Please note: If there is no response to CLICKING the link, please download this PDF first and then click on it.

CLICK HERE TO **DOWNLOAD** THE COMPLETE MANUAL