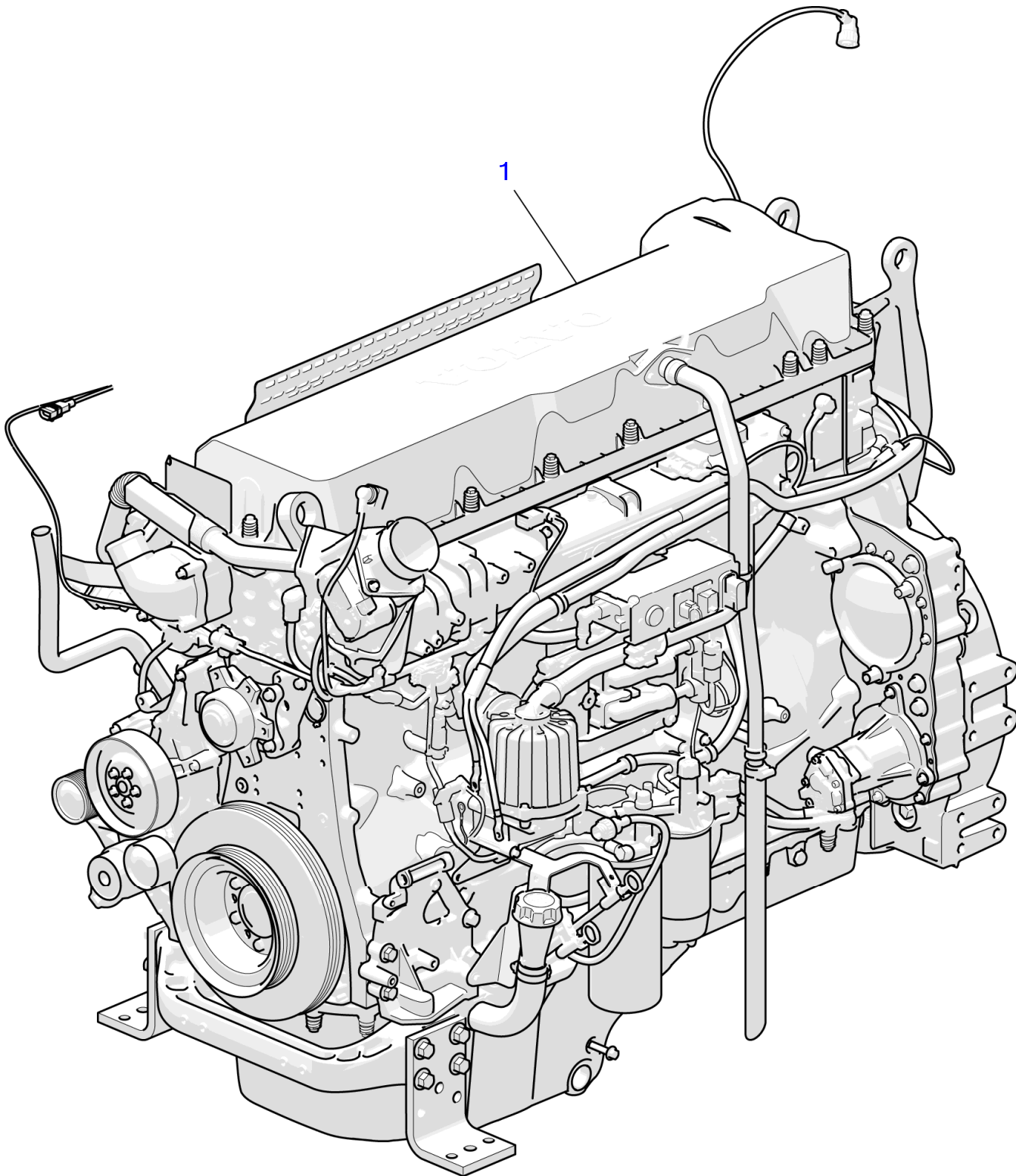


TAD1344-45GE-B



30310

CLICK HERE TO **DOWNLOAD** THE COMPLETE MANUAL

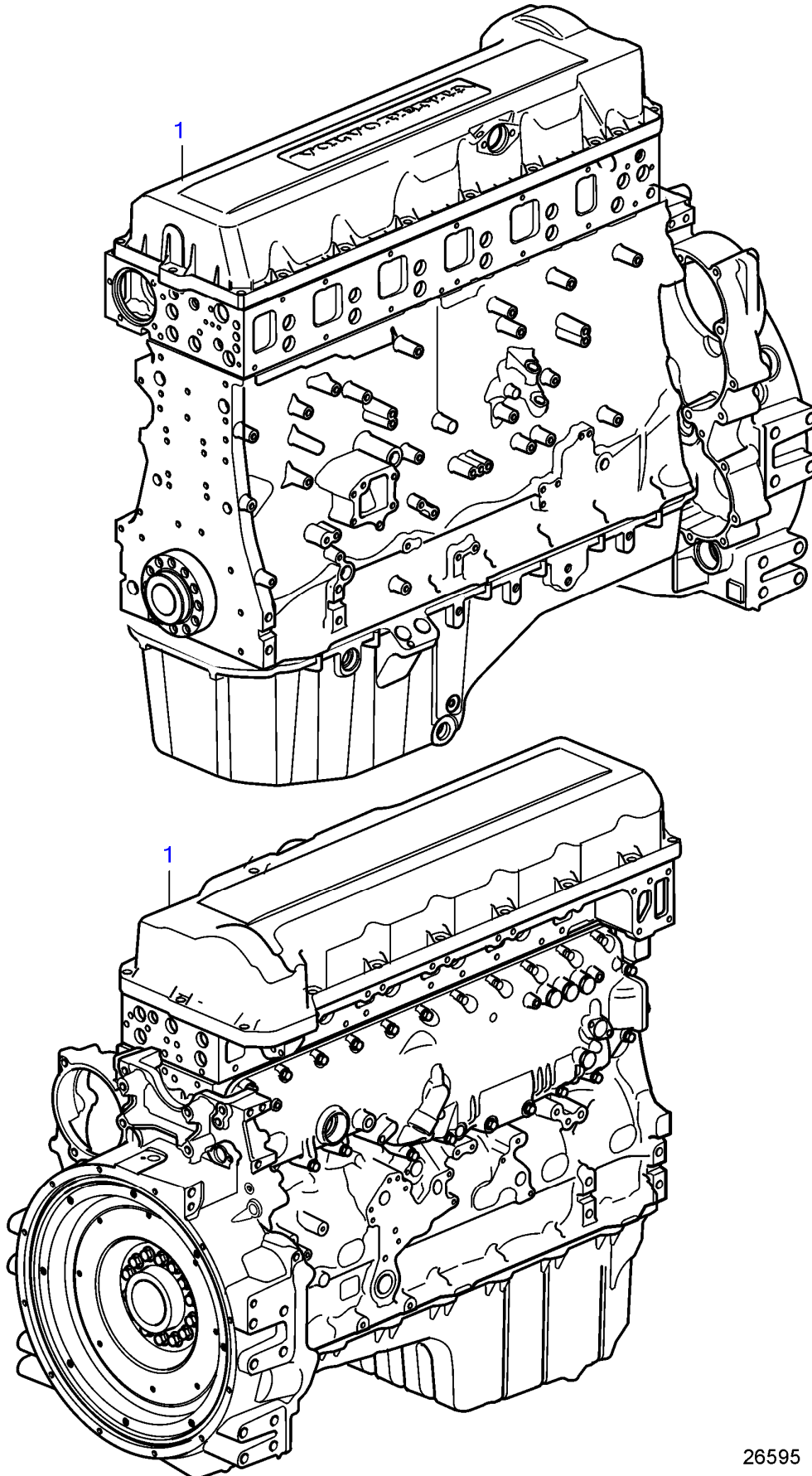
- Thank you very much for reading the preview of the manual.
- You can download the complete manual from: www.heydownloads.com by clicking the link below



- Please note: If there is no response to CLICKING the link, please download this PDF first and then click on it.

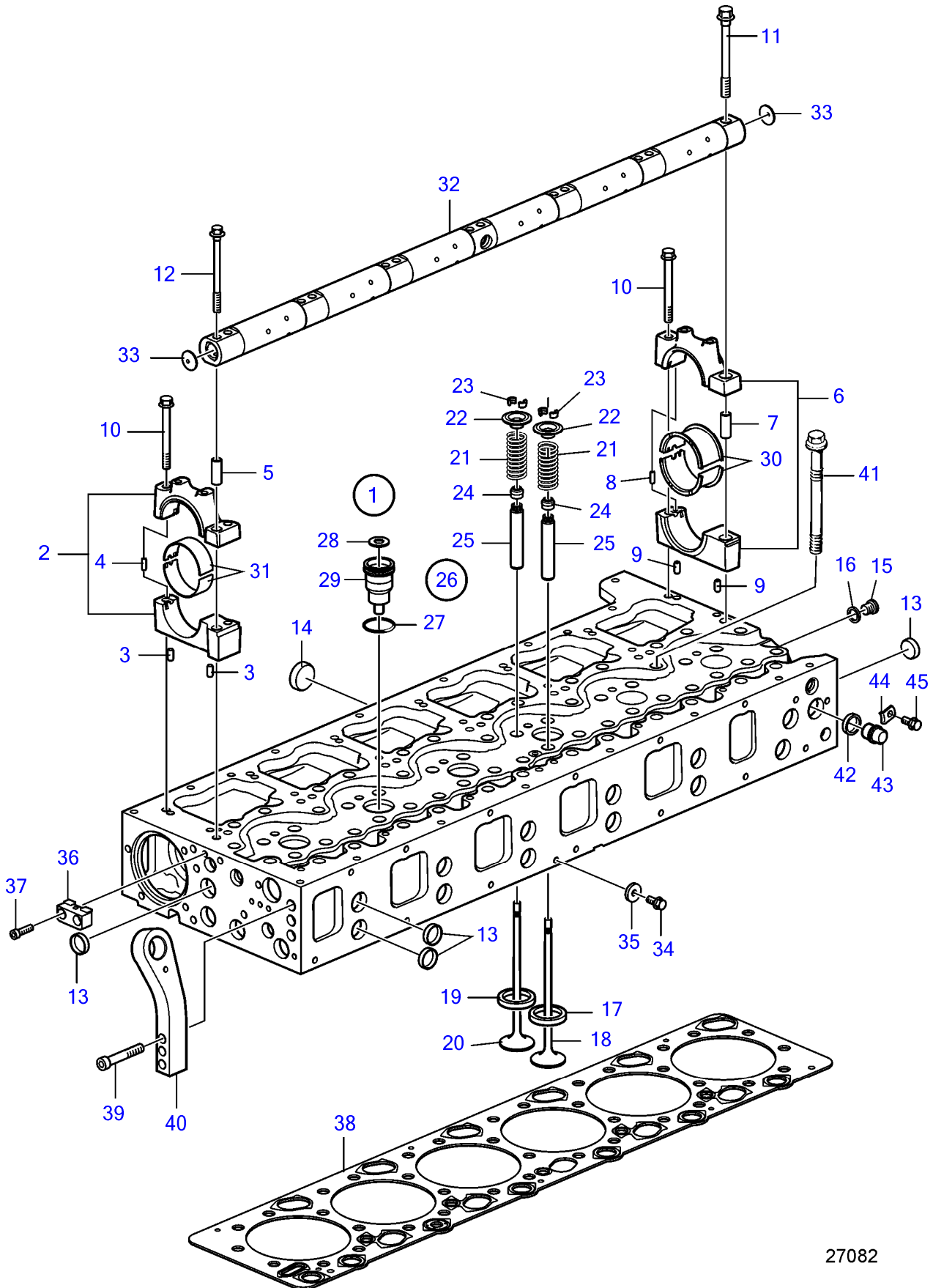
CLICK HERE TO **DOWNLOAD** THE COMPLETE MANUAL

TAD1353GE



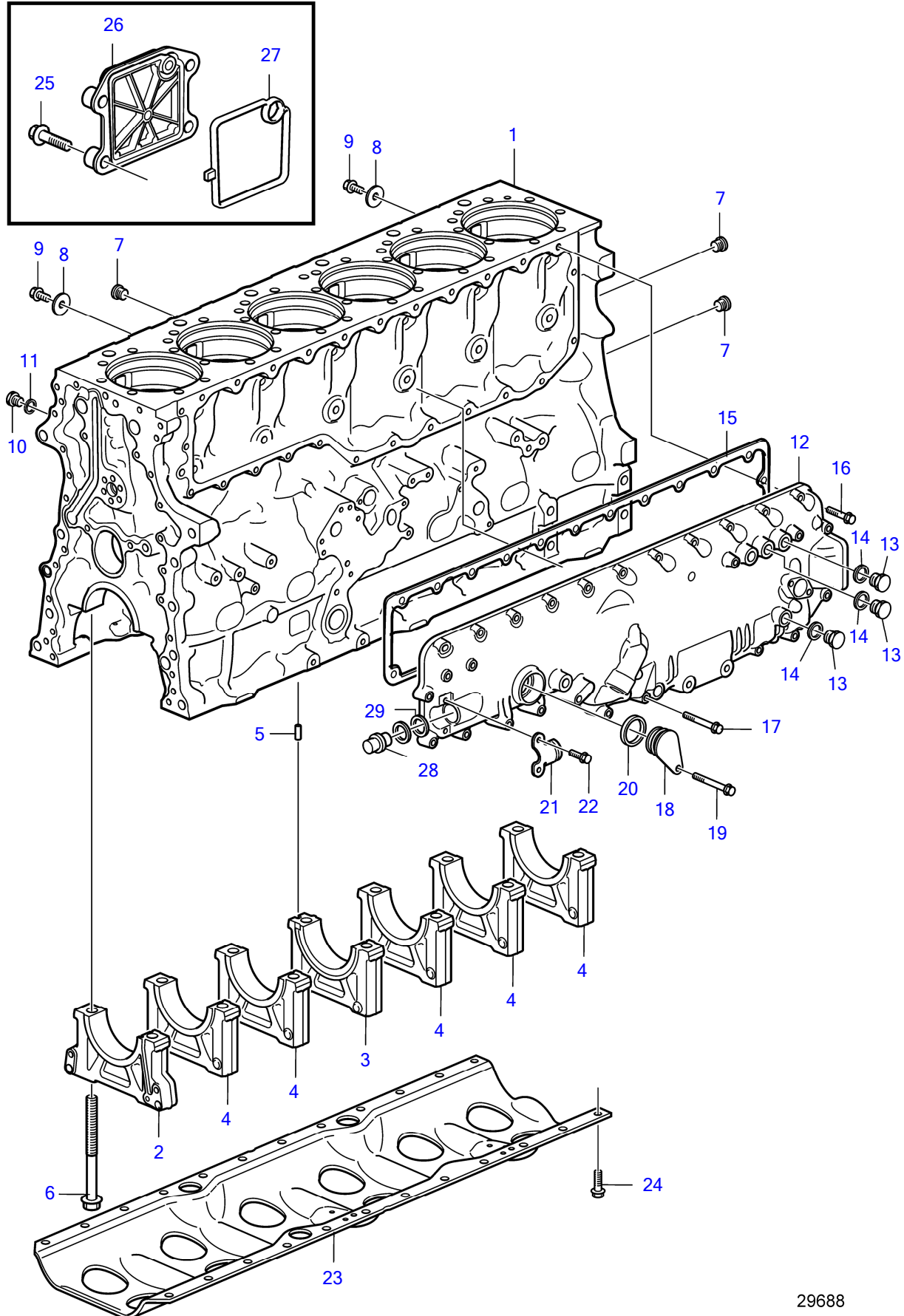
26595

TAD1341GE, TAD1342GE, TAD1343GE, TAD1344GE, TAD1345GE, TAD1350GE, TAD1351GE, TAD1352GE, TAD1353GE, TAD1354GE, TAD1355GE



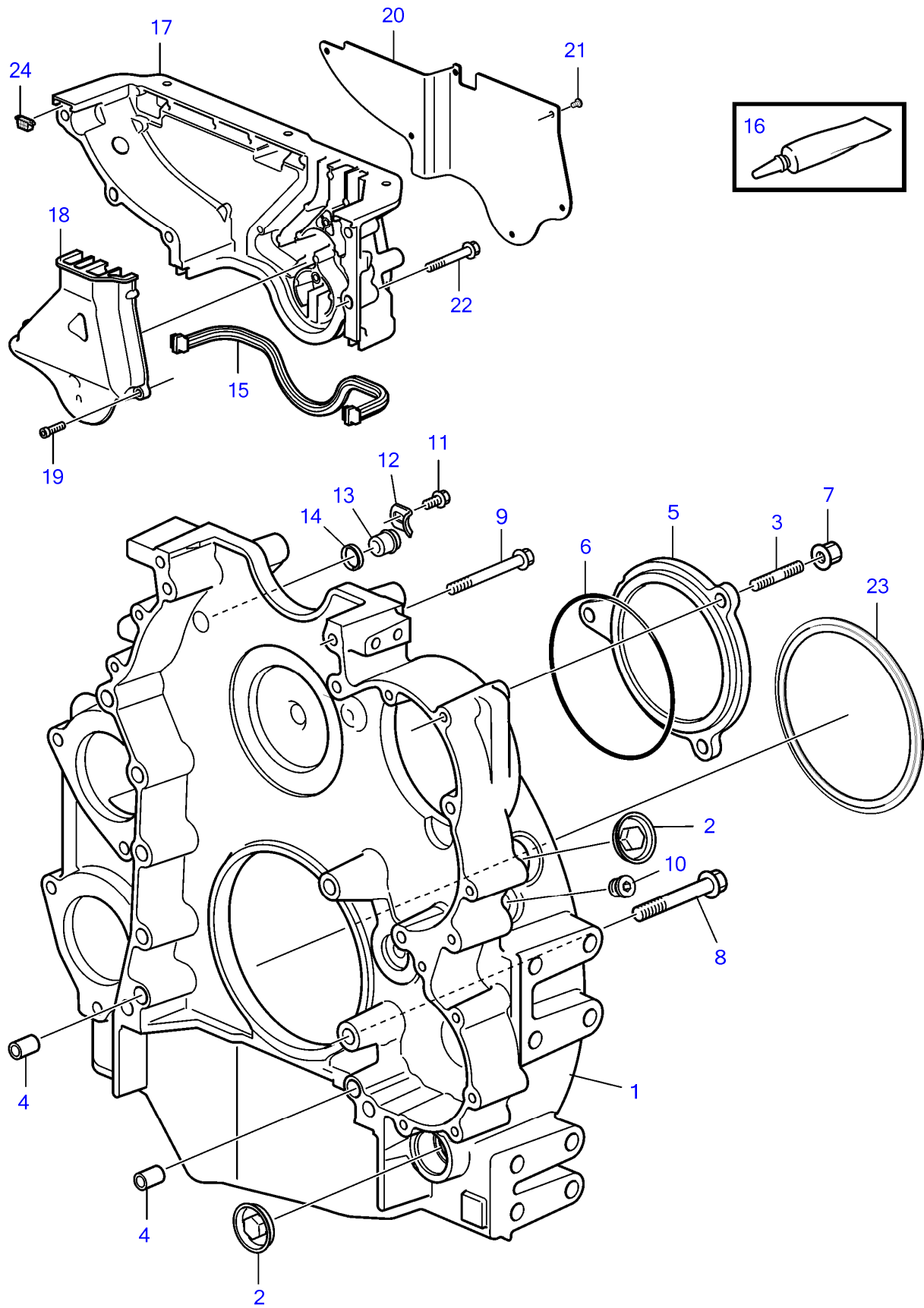
27082

TAD1341-43GE-B, TAD1344-45GE-B

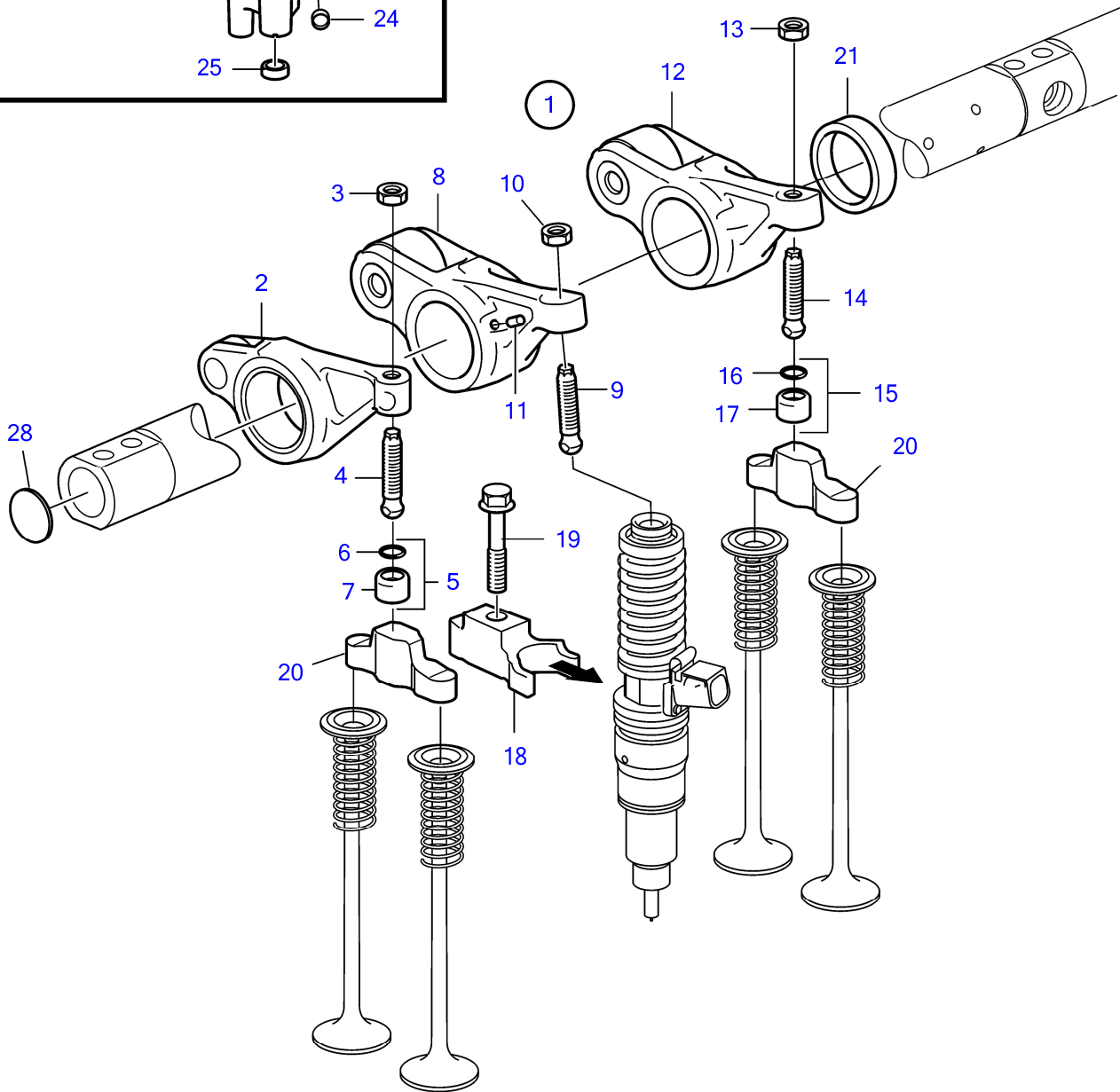
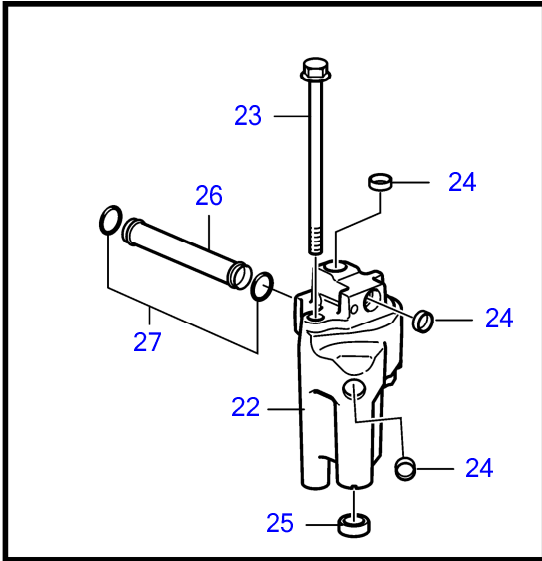


29688

TAD1341GE, TAD1342GE, TAD1343GE, TAD1344GE, TAD1345GE, TAD1350GE, TAD1351GE, TAD1352GE, TAD1353GE, TAD1354GE, TAD1355GE



TAD1341GE, TAD1342GE, TAD1343GE, TAD1344GE, TAD1345GE



TAD1354GE, TAD1355GE

REF	PART NO.	QTY	DESCRIPTION	NOTES
1	3849483	1	Camshaft	
2	20999623	6	Camshaft bearing kit	SN-2013658493
	22879256	1	Camshaft bearing kit	SN2013658494-
3	85131446	1	Camshaft bearing kit	SN-2013658493
	22879257	1	Camshaft bearing kit	SN2013658494-
4	21752320	1	Gear	
5	950551	1	• Pin	
6	21004214	1	Vibration damper	SN-2013276958
	21473104	1	Vibration damper	SN2013276959-
7	8192804	8	Flange screw	
8	20566508	1	Spacer	SN-2013276958
	21691892	1	Spacer	SN2013276959-
9	(20813823)	6	• Bearing housing, front	
10	(20907267)	1	• Bearing housing, Rear	
11	975105	7	Flange screw	
12	20537512	12	Flange screw	
13	20412482	1	Flange screw	

I-D13-A_GEN-215-54161628

43997

Upd:10/25/2022

TAD1341-43GE-B, TAD1344-45GE-B

REF	PART NO.	QTY	DESCRIPTION	NOTES
1	21892730	1	Timing gear plate	
2	995463	29	Flange screw	
3	21752320	1	Gear, camshaft	
4	21473104	1	Vibration damper	
5	20850724	1	Idler gear, camshaft	
6	974615	6	Flange screw	
7	21826610	1	Idler gear	Replaced by 23493805
	23493805	1	Idler gear	
8	20483919	6	Hex. socket screw	
9	22081687	1	Idler gear, power steering pump	
10	21050240	1	Flange screw	
11	21430914	1	Gear, crankshaft	
12	950656	1	Pin	
13	984738	2	Flange screw	
14	992065	1	O-ring	
15	21872746	1	Cover	
16	953102	2	Stud	
17	990946	3	Flange nut	
18	22066002	1	Bracket	
19	943177	1	O-ring	
20	20531647	1	Hub	

TAD1380-82GE

REF	PART NO.	QTY	DESCRIPTION	SEE SEC.	NOTES
1	23291442	1	Crankshaft		
2	21948261	1	Thrust washer		
	21948264	1	Thrust washer kit		Over Size 0,1
3	23297714	3	Main bearing kit		Std, Pos. 1, 3, 5
	23117401	3	Main bearing kit		O.S=0,25mm
	23117402	3	Main bearing kit		O.S=0,50mm
	23117403	3	Main bearing kit		O.S=1,0mm
4	23297715	3	Main bearing kit		Std, Pos. 2, 4, 6
	23117405	3	Main bearing kit		O.S=0,25mm
	23117406	3	Main bearing kit		O.S=0,50mm
	23117407	3	Main bearing kit		O.S=1,0mm
5	23297719	1	Main bearing kit		Std, Pos. 7
	23117409	1	Main bearing kit		O.S=0,25mm
	23117410	1	Main bearing kit		O.S=0,50mm
	23117411	1	Main bearing kit		O.S=1,0mm
6	21896941	6	Cylinder liner kit		
7	21896942	1	• Piston ring kit		
8	20569833	1	• Piston pin		
9	270950	1	• Gasket kit		
10	914531	2	• Snap ring		
11		1	• Cylinder liner		
12		1	• Piston		
13	1677591	X	Shim		TH=0,2mm
	1677592	X	Shim		TH=0,3mm
	1677593	X	Shim		TH=0,5mm
14	23291408	6	Connecting rod		
15			• Bushing		
16	20486228	24	• Flange screw		
17	21610676	6	Big-end bearing kit		Std
	21965516	6	Big-end bearing kit		O.S=0,25mm
	21965519	6	Big-end bearing kit		O.S=0,50mm
	21965522	6	Big-end bearing kit		O.S=1,00mm
18			Flywheel	54165477	
19	20711957	1	• Ring gear		
20	21344746	14	Flange screw		
21	20743004	1	Gear	54165474	
22	950656	1	• Pin		
23	984738	2	Flange screw		
24	22191895	1	Crankshaft seal		
25		X			
26	20777236	1	Cover		
27	21779548	1	Crankshaft seal		
28	984736	8	Flange screw		
29	984815	6	Flange screw		
30	20792248	1	Vibration damper		
31	20799474	1	Pulley		
32	1161231	X	Sealant		304ml
	1161277	X	Sealant		20g
33	22451391	1	Vibration damper, kit		
34	3889367	1	• Vibration damper		
35	984821	2	• Flange screw		
36	3888113	1	• Adapter		
37	984823	10	• Flange screw		
38	984823	12	Flange screw		With pulley 21168465
39	21168465	1	Pulley		
40	984821	12	Flange screw		With pulley 3829173
41	3829173	1	Pulley		
42	997790	1	O-ring		

TAD1380-82GE

REF	PART NO.	QTY	DESCRIPTION
1		1	Frame
2	22367759	4	Bracket
3	984833	16	Flange screw
4	992336	8	Flange screw
5	990953	8	Flange lock nut
6	984760	4	Flange screw
7	866857	8	Rubber bushing
8	22085505	4	Spacer sleeve
9	990941	4	Flange nut

TAD1341-43GE-B, TAD1344-45GE-B

REF	PART NO.	QTY	DESCRIPTION	NOTES
1	23330069	1	Oil pan	Plastic Pan
2		1	• Oil pan	
3	21523327	1	• Pipe	
4	949656	1	• • O-ring	
5	994445	1	• Flange screw	
6	23285701	1	• Oil level sensor	
7	944126	1	• • O-ring	
8	984728	3	• Flange screw	
9	60114374	2	• Flange screw	
10	20700754	2	• Retainer	
11	20579690	1	• Sealing ring	
12	20571854	1	• Magnetic plug	
13	20839219	1	• Retainer	
14	20586720	1	• O-ring	
15	980760	4	• Flange screw	
16	20541940	1	Sealing strip	
17	22859766	16	Flange screw	
18	20808091	1	Oil filler pipe	
19	20807510	1	• Oil filler cap	
20	20365079	1	• • Rubber washer	
21	20462497	1	Connection pipe	
22	21780376	1	Sealing ring	
23	984736	2	Flange screw	
24	3889481	1	Hose	
25	994561	2	Hose clamp	
26	21377642	1	Bracket	
27	984733	4	Flange screw	
28	21839734	1	Dipstick	Std, L=385mm
	20883087	1	Dipstick	Options, extended oil dipstick., L=1533mm
29	949187	2	O-ring	
30	20824906	1	Oil pump	
31	984740	4	Flange screw	
32	22275838	2	Sealing ring	
33	21599118	1	Suction pipe	
34	21092243	4	Sealing ring	
35	21874957	1	Pressure pipe	
36	969445	2	Flange screw	
37	978267	3	Flange screw	
38	20824910	1	Oil strainer	Replaced by 23545374
	23545374	1	Oil strainer	
39	1547934	1	Cover	
40	948610	1	O-ring	
41	22416685	1	Reduction valve	
42	22295738	6	Piston cooling jet	
43	980760	6	Flange screw	
44	21876770	1	Pressure pipe	
45		1	Lock	
46		1	Plug	
47	469846	1	Sealing ring	
48	3886325	1	Pipe	Std
49	60112131	1	Six point socket scr	

TAD1341GE, TAD1342GE, TAD1343GE, TAD1344GE, TAD1345GE, TAD1350GE, TAD1351GE, TAD1352GE, TAD1353GE, TAD1354GE, TAD1355GE

REF	PART NO.	QTY	DESCRIPTION	SEE SEC.	NOTES
1	21329994	1	Oil pan		
2		1	• Oil pan		
3	20724256	1	• Pipe		
4	949656	1	• • O-ring		
5	984733	3	• Flange screw		
6	20571854	1	• Magnetic plug		
7	20579690	1	• Sealing ring		
8	11162582	1	• Nipple		
9	18813	1	Gasket		
10	11423761	1	Oil level sensor		
11	3988328	1	Bracket		
12	948211	3	Cable tie		
13	3883614	1	Pipe		Std
	21613847	1	Pipe		Options, extended oil dipstick.
14	975371	1	Six point socket scr		
15	21839727	1	Dipstick		Std
	20871321	1	Dipstick		Options, extended oil dipstick.
16	949187	2	• O-ring		
17	20808091	1	Oil filler pipe		
18	20807510	1	• Oil filler cap		
19	20365079	1	• • Rubber washer		
20	21333778	1	Bracket		
21	961669	2	Hose clamp		
22	3831383	1	Hose		
23	20739547	16	Flange screw		
24	21293367	1	Sealing strip		
25	15032706	1	Oil strainer		
26	20498189	1	Pressure pipe		
27	21092243	7	Sealing ring		
28	946472	4	Flange screw		
29	977275	3	Flange screw		
30	20509415	1	Suction pipe		
31	20451487	2	Sealing ring		
32	20824906	1	Oil pump		
33	984740	4	Flange screw		
34	20501240	1	Pressure pipe		
35	946472	2	Flange screw		
36	21105100	1	Intermediate housing		
			•	2075	
37	968553	2	Flange screw		
38	955082	3	Cap plug		
39	20526428	1	Sealing ring		
40	20591851	1	Outlet pipe		
41	3155151	6	Piston cooling jet		
42	966378	6	Flange screw		
43	955982	6	O-ring		
44	1547934	1	Cover		
45	948610	1	O-ring		
46	22416685	1	Reduction valve		
47		1	Cap		
48		1	Plug		
49	469846	1	Sealing ring		
50	948610	1	O-ring		
51	3963413	1	Ring		

TAD1380-82GE

REF	PART NO.	QTY	DESCRIPTION	SEE SEC.	NOTES
1	78467142	1	Oil filter housing	54165489	
2	15046827	1	Cover		
3	21145970	1	Cover		
4	21145973	1	Cover		
5	993235	3	X-ring		
6	944126	1	O-ring		
7	11423710	1	Reduction nipple		
8	982508	2	Gasket		
9	11158220	2	Adapter		
10	23434306	2	Hose		
11	982509	4	Gasket		
12	17222136	2	Adapter		
13	964017	2	Elbow nipple		
14	17427991	1	Oil filter housing	54165457	
			.	2083	
15	23075367	1	Oil filter		
16	23075366	2	Oil filter		
17	966147	2	Plug		
18	984793	2	Plug		
19		1	Bracket		
20	984764	2	Flange screw		
21	984834	3	Flange screw		
22	60112672	3	Spacer sleeve		
23	21521886	1	Hose		
24	20405767	1	Hose nipple		
25	993685	1	Gasket		
26	961664	1	Hose clamp		
27	991048	1	Hollow screw		
28	20852764	2	Sealing ring		
29	980464	X	Cable tie		
30	948211	X	Cable tie		
31	21495899	1	Pipe bend		For Aluminum Oil Pan
32	3808196	2	Hose		
33	994561	4	Hose clamp		
34	3819332	1	Pipe		For Plastic Oil Pan
35	21780376	1	Sealing ring		
36	3889481	1	Hose		
37	994561	2	Hose clamp		
38	984733	2	Flange screw		

TAD1341-43GE-B, TAD1344-45GE-B

REF	PART NO.	QTY	DESCRIPTION
1	20742946	1	Oil cooler
2	20551483	2	Sealing ring
3	991606	4	Flange screw
4	21677248	1	Cover
5	20523738	1	Cover
6	991606	4	Flange screw

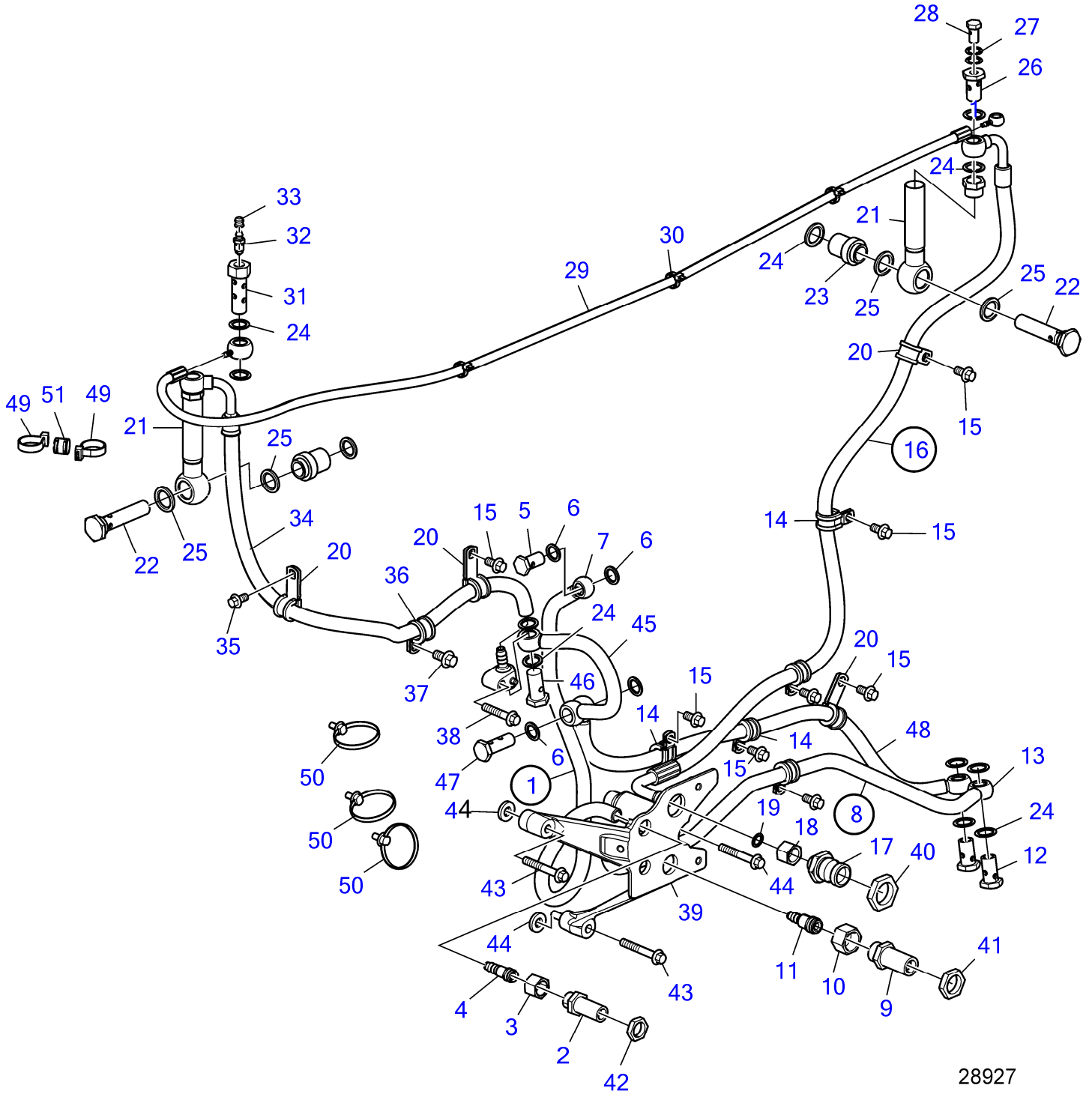
TAD1341-43GE-B, TAD1344-45GE-B

REF	PART NO.	QTY	DESCRIPTION
1	3827475	1	Oil drain pump
2	3595052	1	Bracket
3	984734	2	Flange screw
4	984838	3	Flange screw
5	3888628	1	Hose
6	3595053	1	Bracket
7	984752	1	Flange screw
8	984734	1	Flange screw
9	949379	1	Clamp
10	944177	1	Nipple
11	966821	1	Hollow screw
12	18813	2	Gasket

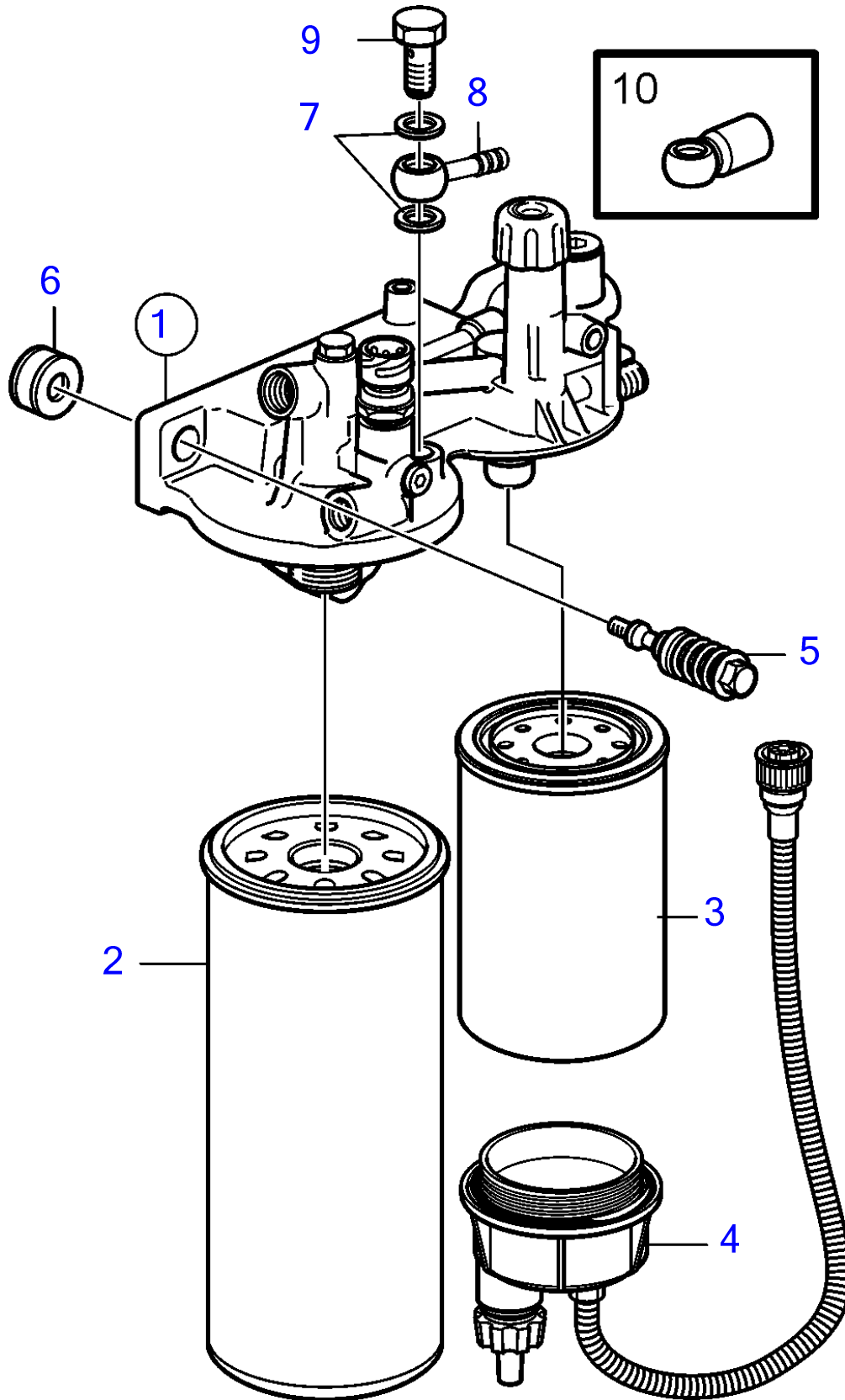
TAD1341GE, TAD1342GE, TAD1343GE, TAD1344GE, TAD1345GE, TAD1350GE, TAD1351GE, TAD1352GE, TAD1353GE, TAD1354GE, TAD1355GE

REF	PART NO.	QTY	DESCRIPTION	SEE SEC.	NOTES
1		1	Filter housing		
			.		
2	20920419	1	Fuel pipe		
3	20852765	2	Sealing ring		
4	991046	1	Hollow screw		
5	3594679	1	Fuel hose		
6	20852765	2	Sealing ring		
7	991046	1	Hollow screw		
8		1	Fuel pump		
			.		
9	20852765	2	Sealing ring		
10	991048	1	Hollow screw		
11	20562394	1	Radiator		Replaced by 21251350
	21251350	1	Radiator		
12	20892118	1	Fuel pipe		
13	977753	1	Banjo nipple		
14	20852764	2	Sealing ring		
15	991048	1	Hollow screw		
16	20934267	1	Fuel pipe		
17	20852764	6	Sealing ring		
18	977753	2	Banjo nipple		
19	991048	3	Hollow screw		
20	957019	2	Hexagon nut		
21	3594057	1	Fuel hose		
22	949747	9	Clamp		
23	984733	15	Flange screw		
24	948746	6	Flange screw		
25	3888407	1	Fuel hose		
26	20852765	9	Sealing ring		
27	991656	1	Spacer sleeve		
28	21014054	1	Overflow valve		
29	973924	1	Flange screw		
30		1	Pipe connection		
31	843075	1	Spacer sleeve		
32	3888420	1	Fuel hose		
33	21148577	1	Bracket		Not in use when changing fuel hose
34	3594065	1	Fuel hose		
35	3849956	1	Spacer tube		
36	991046	1	Hollow screw		
37	21775773	1	Riser	54161521	If change of riser must also clamp, hollow screw, spacer tube, retainer and gaskets be changed
38	20899253	2	Sealing ring		
39	992272	2	Reduction nipple		
40	3595373	1	Hollow screw		
41	20548012	1	Faucet		
42	20547976	1	Protecting cover		
43	3594593	1	Bracket		Not in use when changing riser
44	943717	2	Clamp		
45	984732	2	Flange screw		
46	984752	2	Flange screw		
47	3594071	1	Fuel hose		Replaced by 23191831
	21216738	1	Fuel hose		
	23191831	1	Fuel hose		Replaced by 23267466
	23267466	1	Fuel hose		
48	3848818	3	Bracket		
49	984741	2	Flange screw		
50	942542	3	Clamp		
51	3849957	1	Spacer tube		
52	20852762	2	Sealing ring		
53	3595375	1	Hollow screw		
54	48634	1	Hollow screw		
55	3594376	1	Bracket		Not in use when changing riser

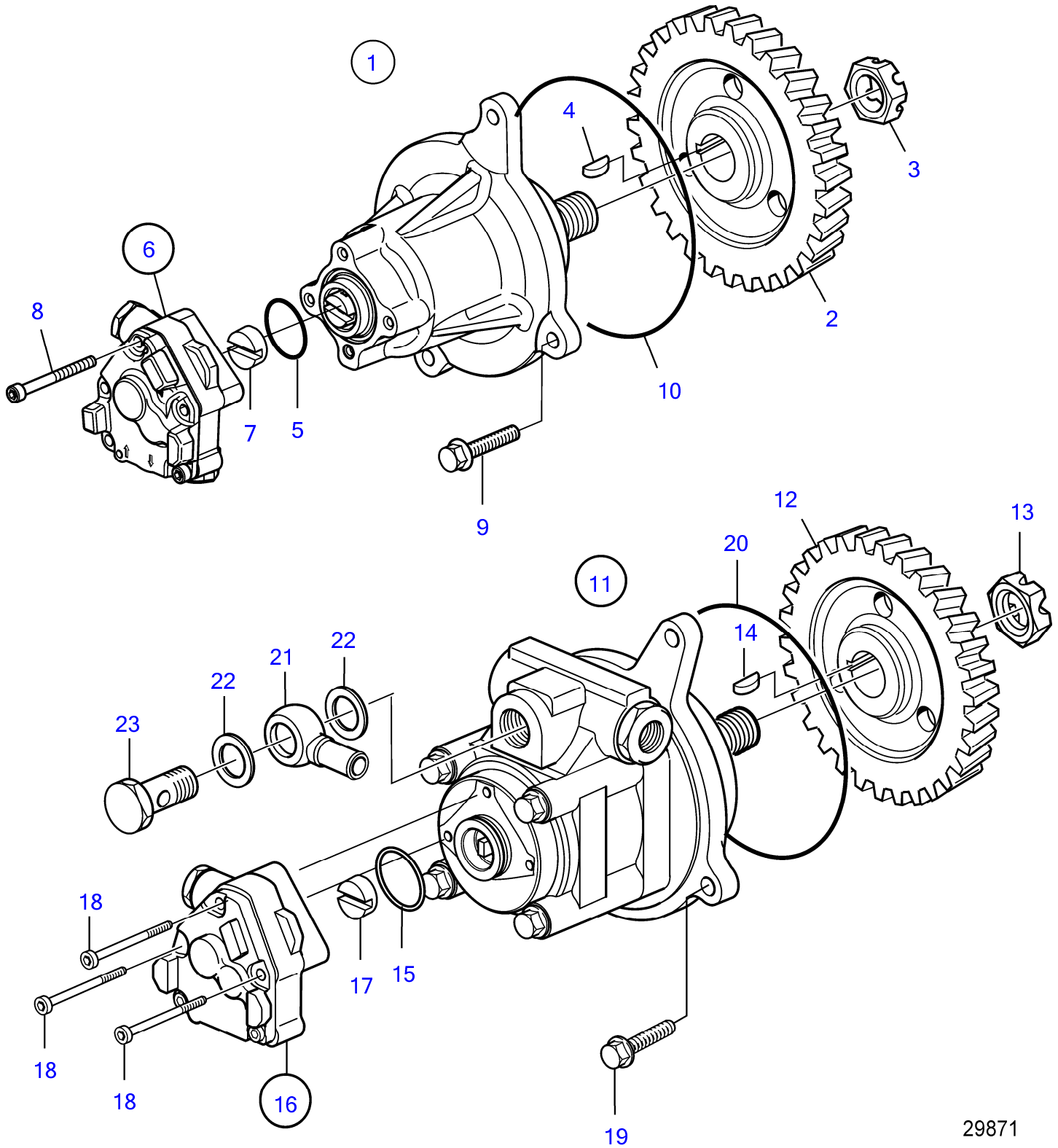
TAD1341-43GE-B, TAD1344-45GE-B



TAD1341GE, TAD1342GE, TAD1343GE, TAD1344GE, TAD1345GE, TAD1350GE, TAD1351GE, TAD1352GE, TAD1353GE, TAD1354GE, TAD1355GE

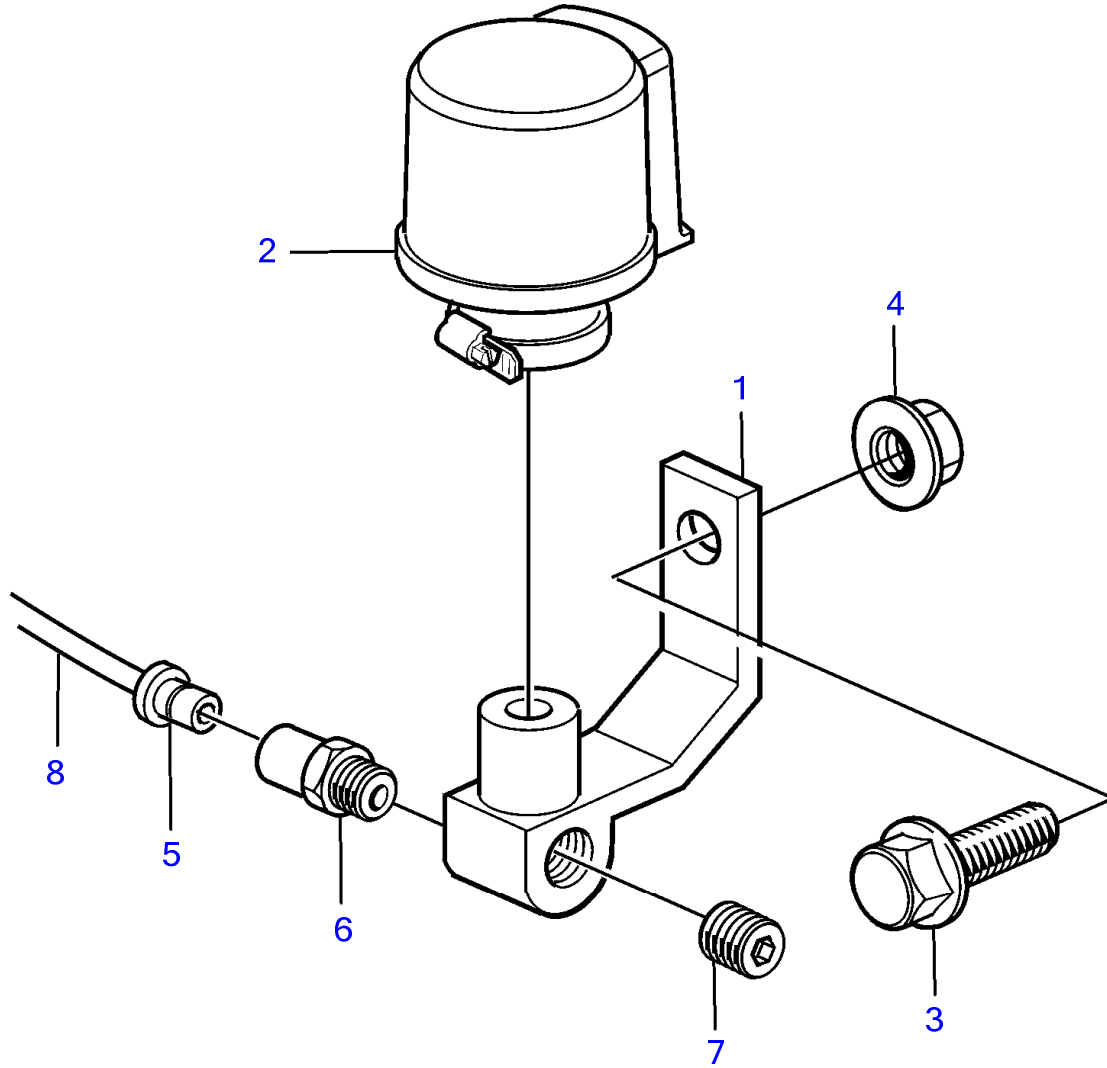


TAD1380-82GE

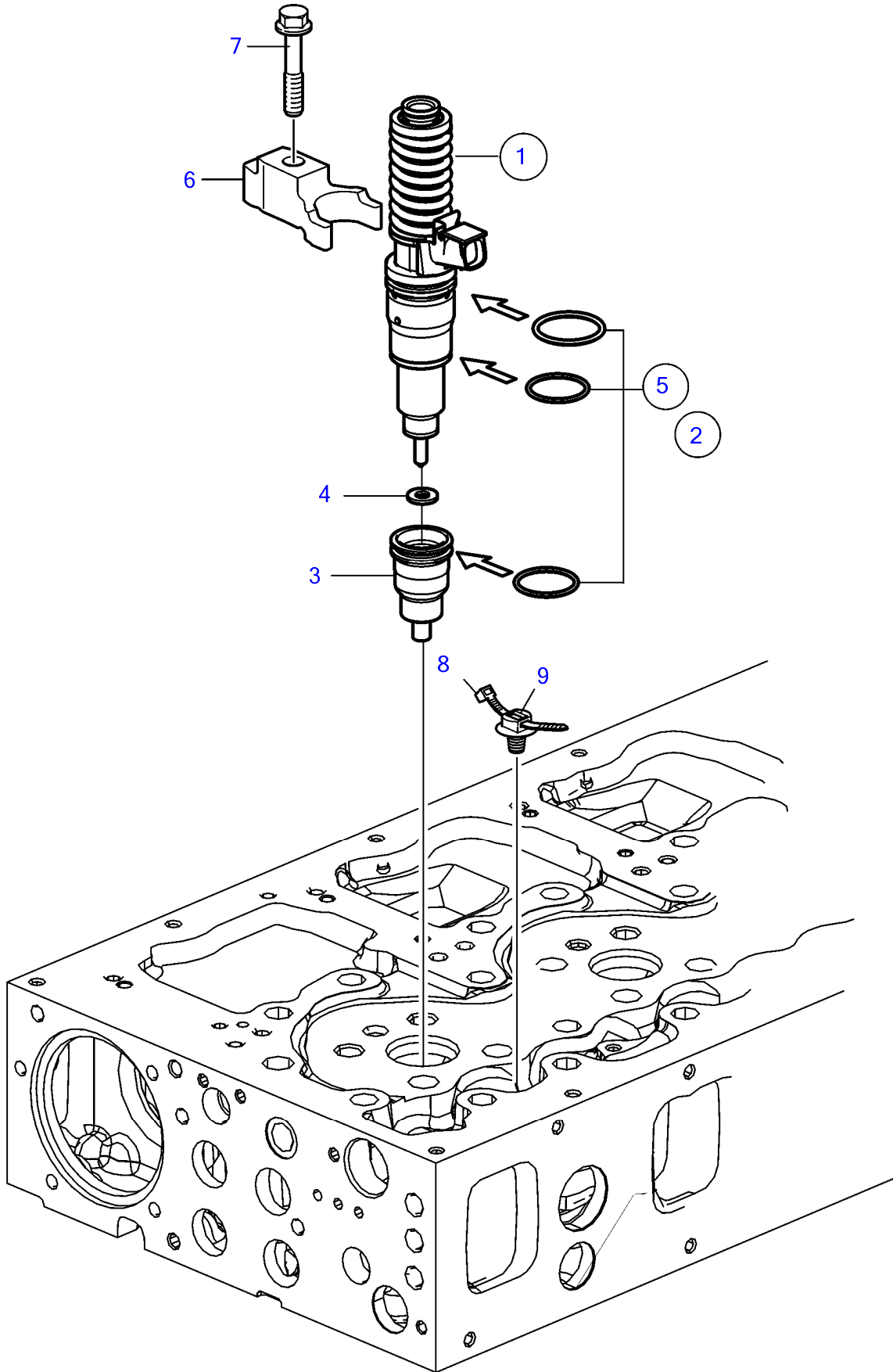


29871

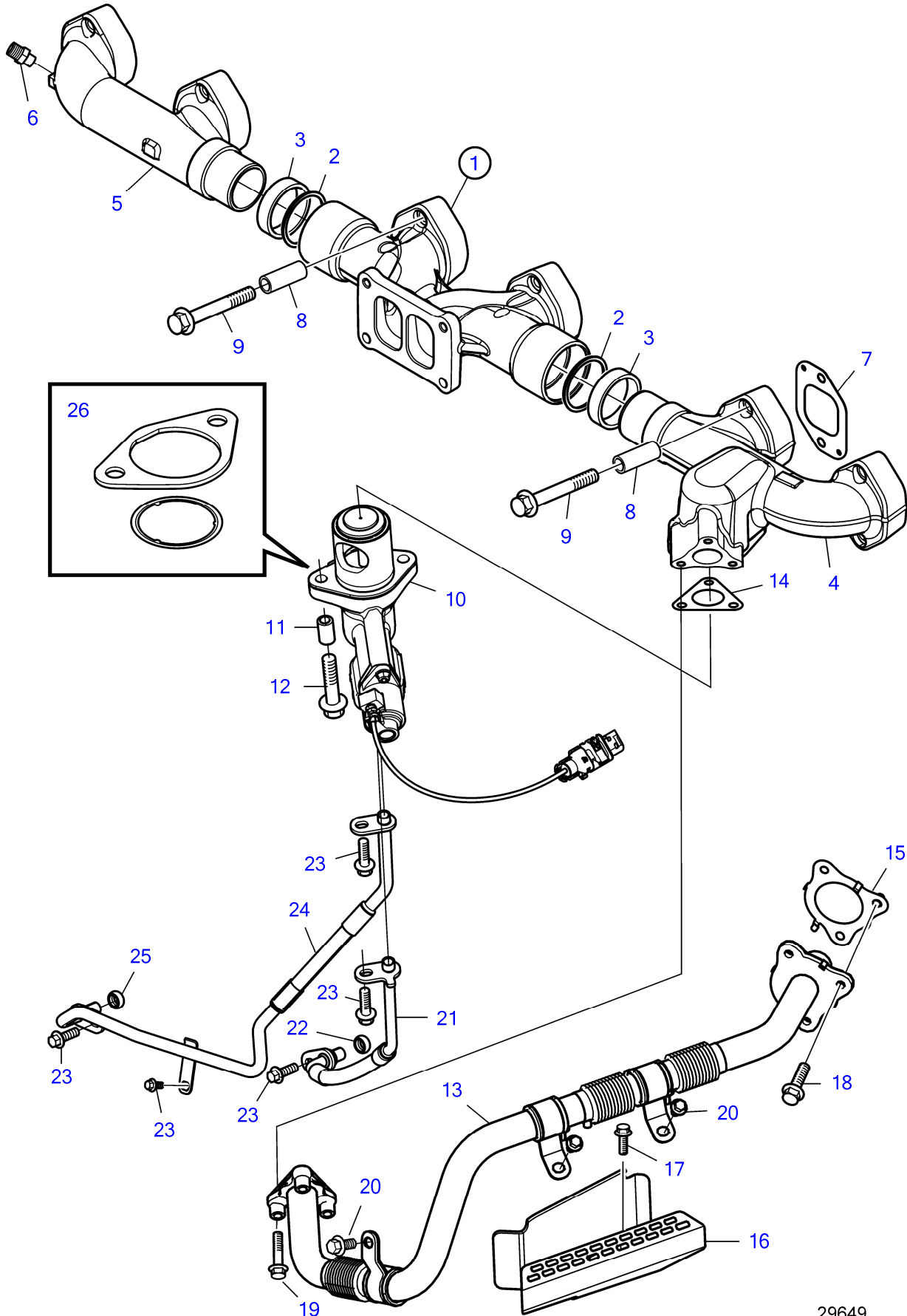
TAD1380-82GE



TAD1341-43GE-B

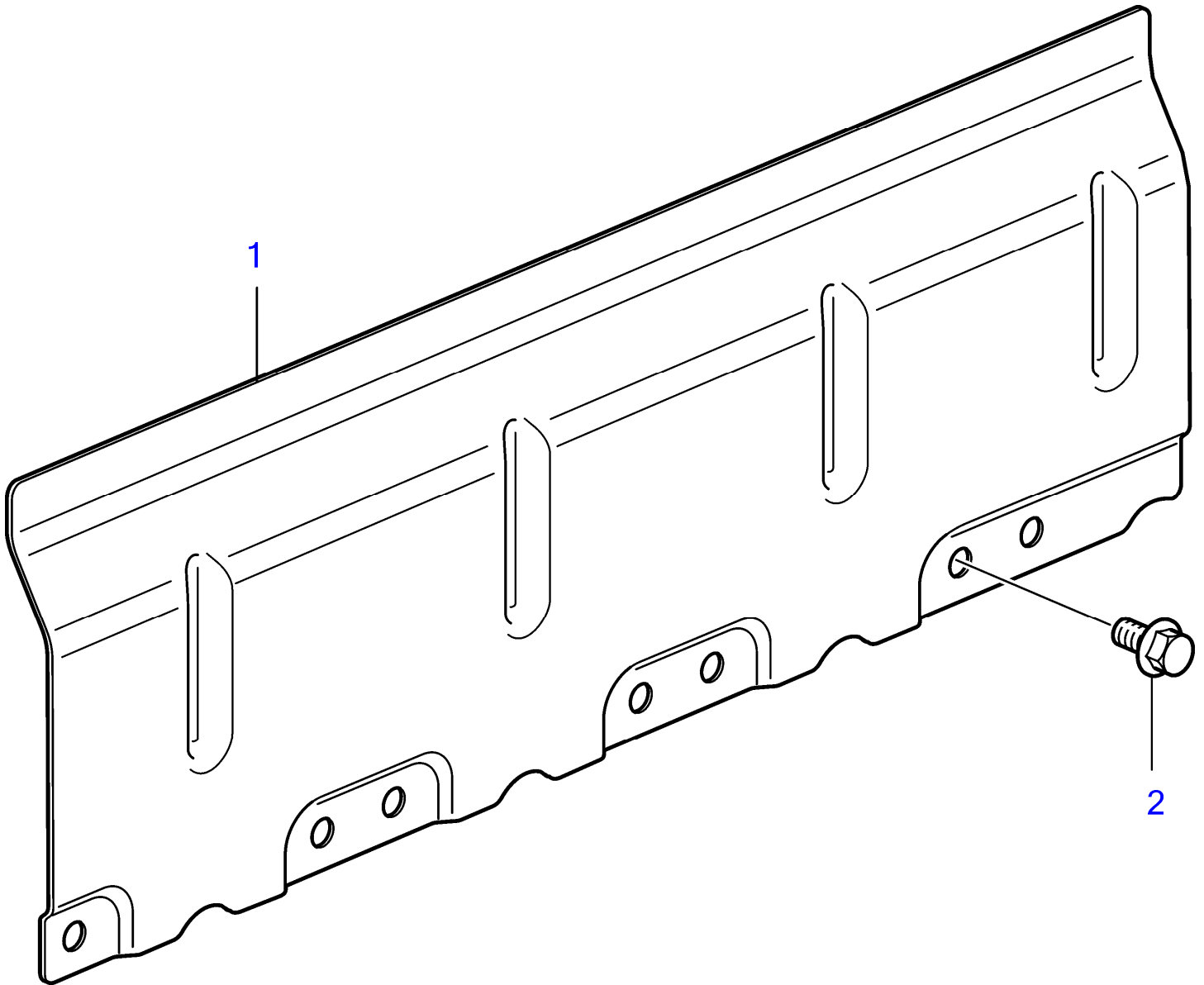


TAD1380-82GE

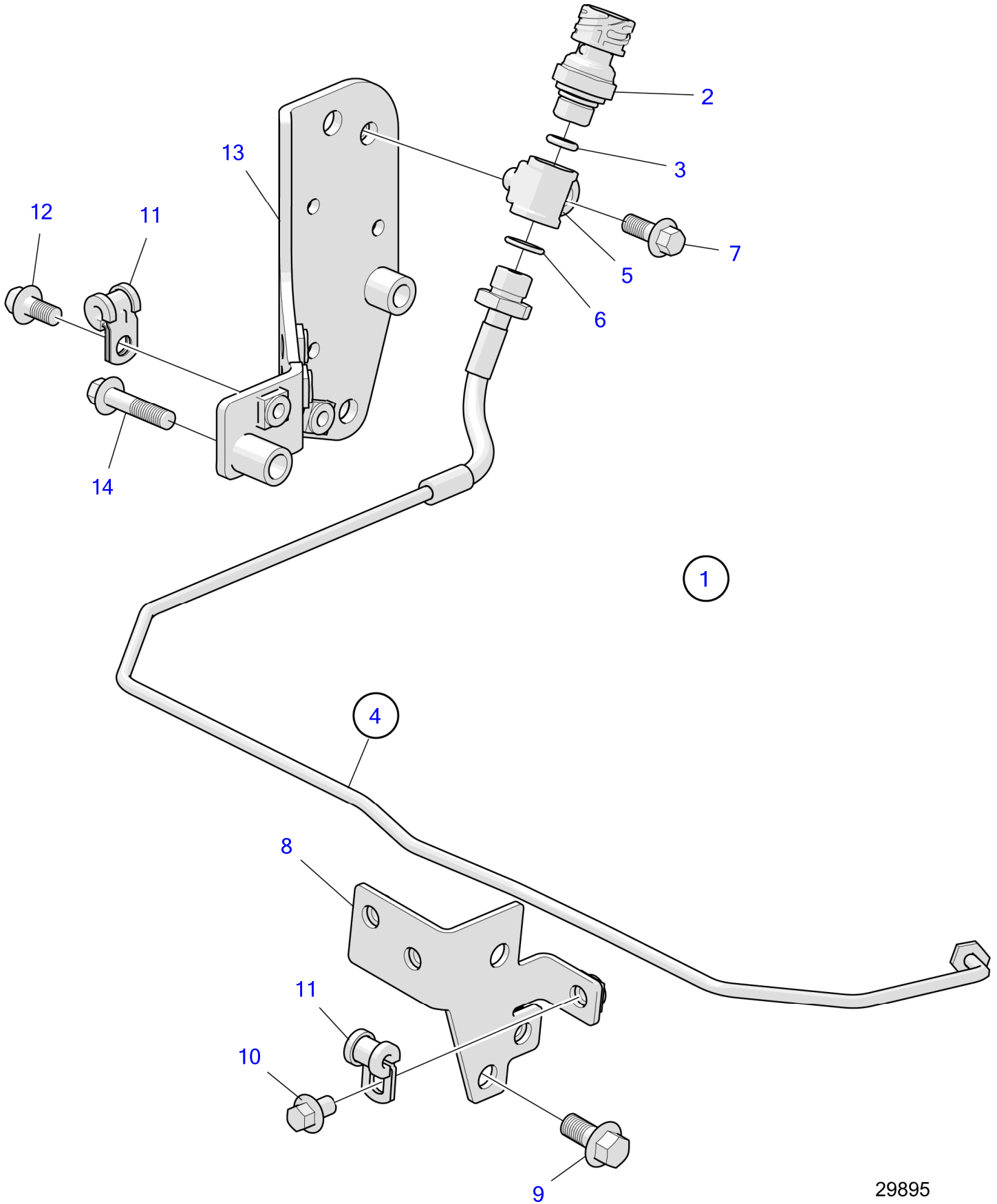


29649

TAD1341GE, TAD1342GE, TAD1343GE, TAD1344GE, TAD1345GE, TAD1350GE, TAD1351GE, TAD1352GE, TAD1353GE, TAD1354GE, TAD1355GE

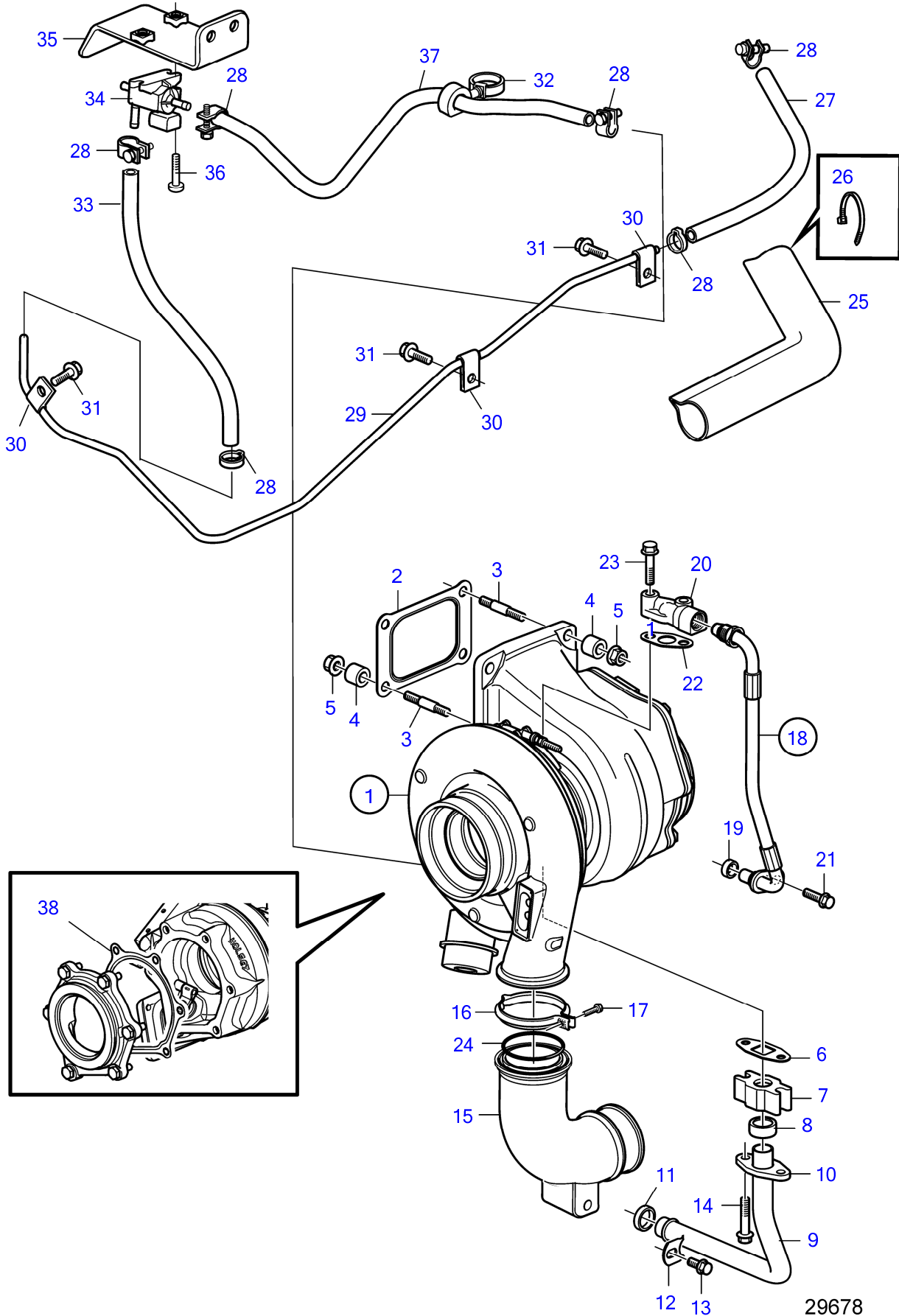


TAD1380-82GE

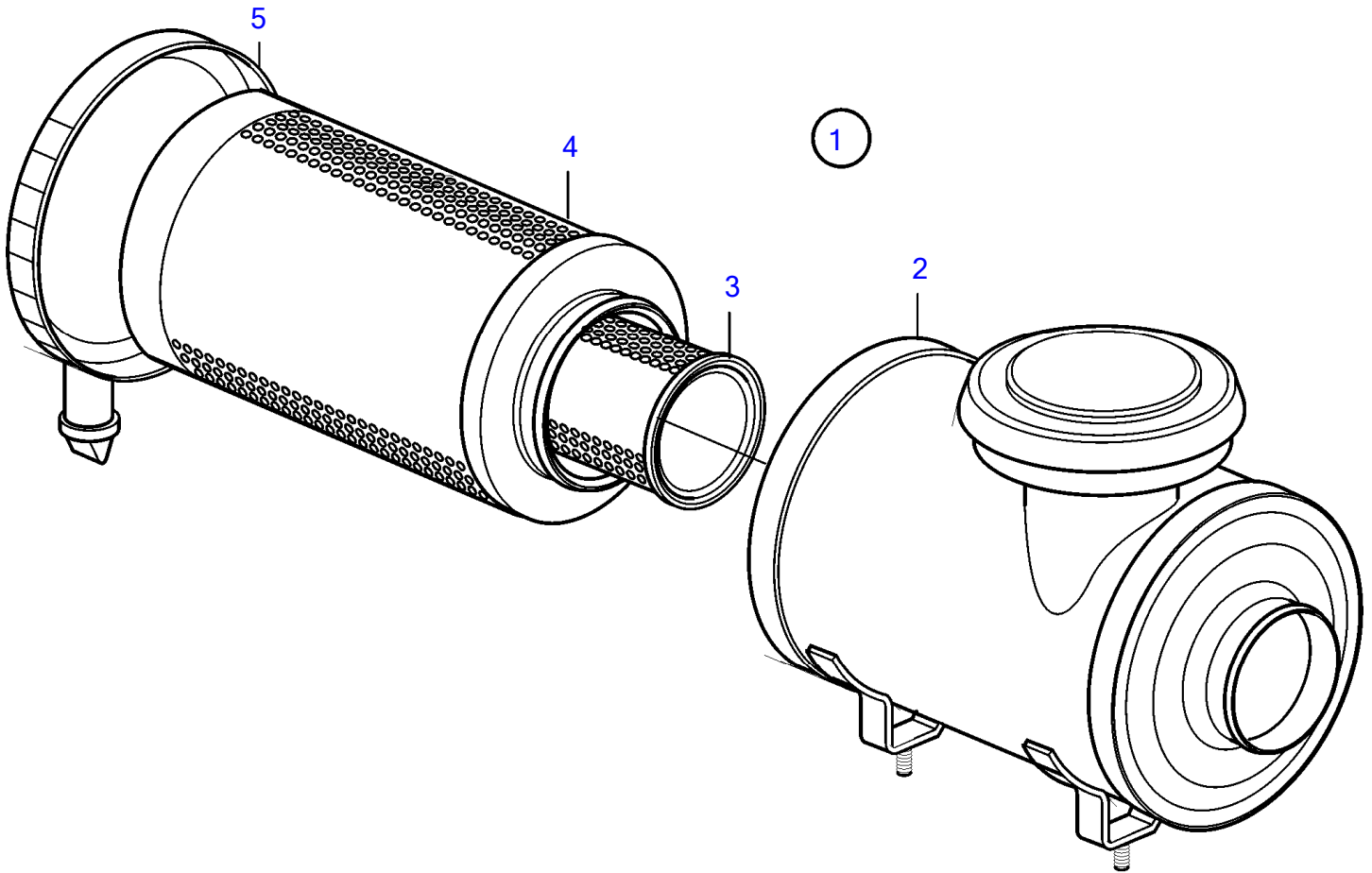


29895

TAD1344-45GE-B

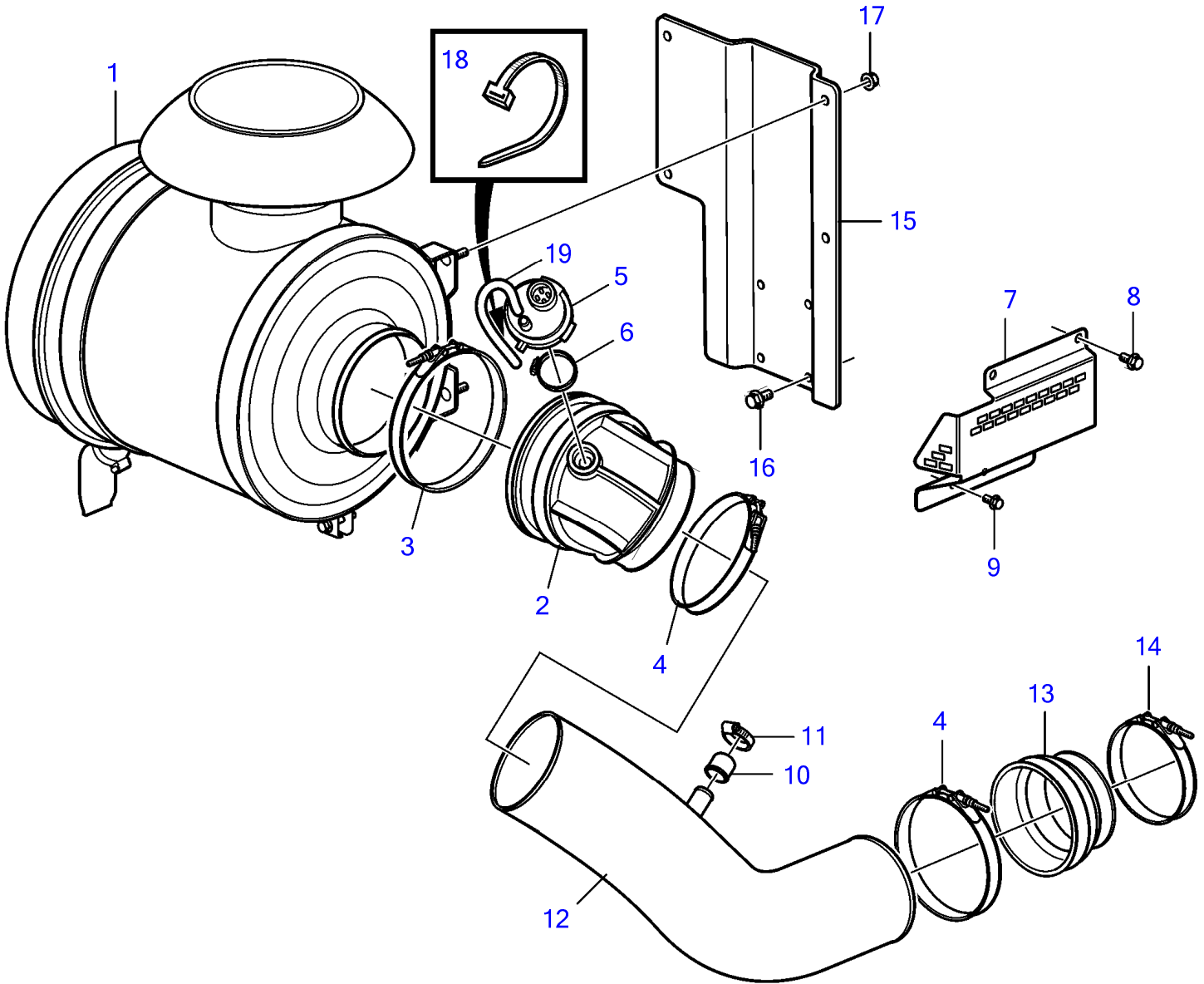


TAD1341-43GE-B, TAD1344-45GE-B, TAD1380-82GE



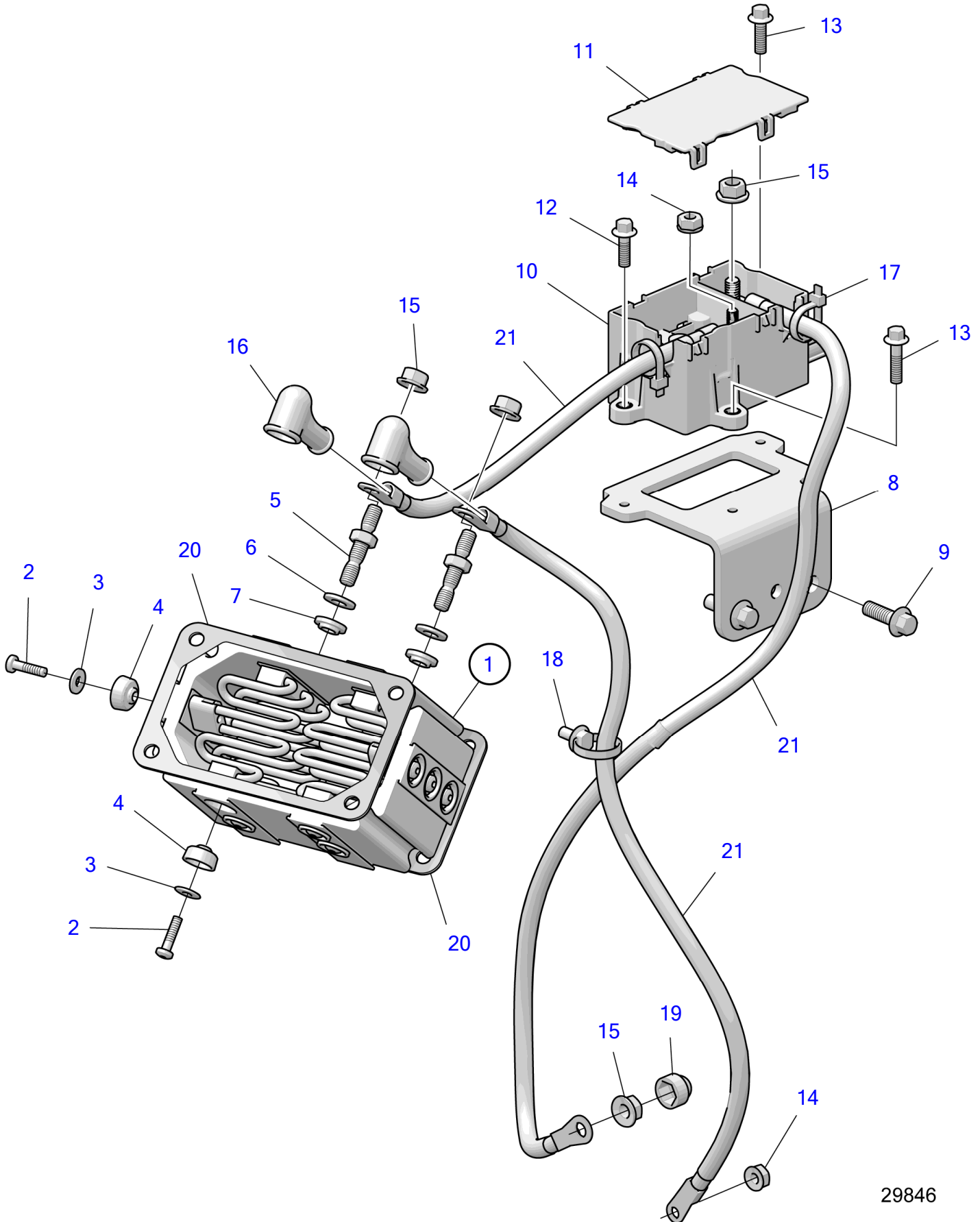
25586

TAD1344GE, TAD1345GE, TAD1353GE, TAD1354GE, TAD1355GE



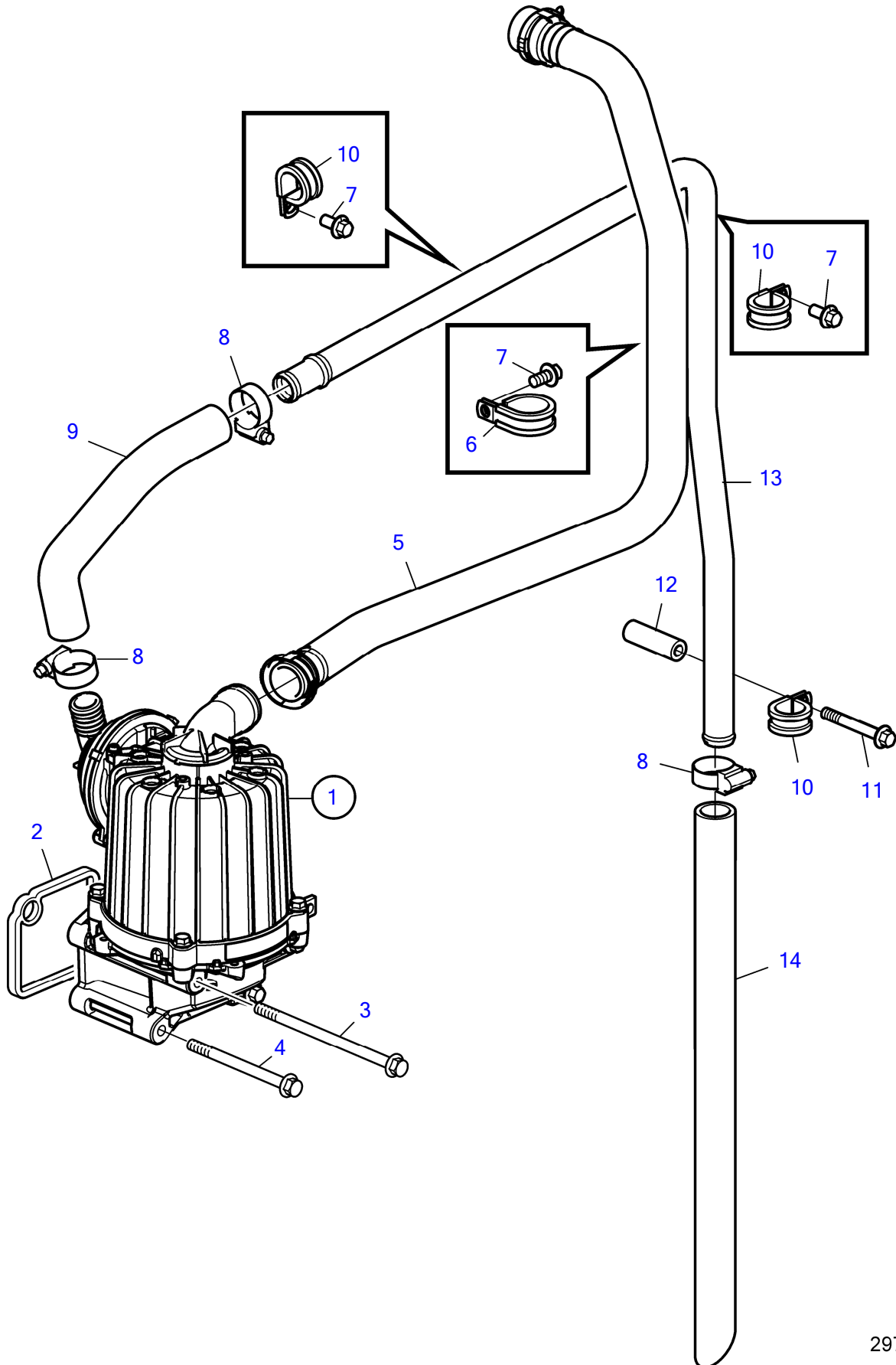
24623

TAD1341-43GE-B, TAD1344-45GE-B



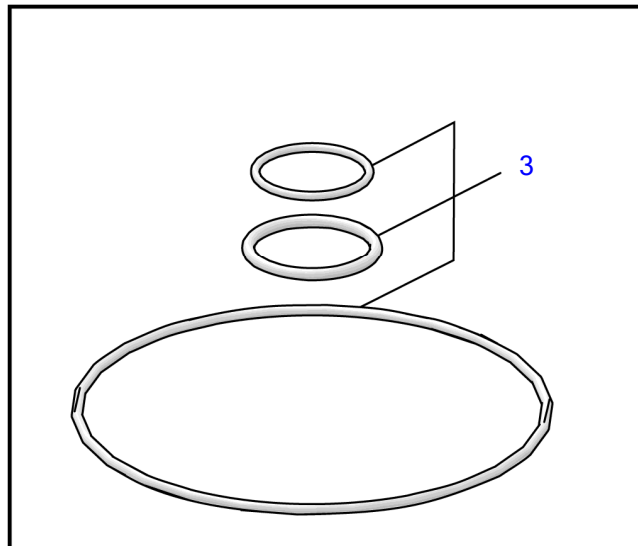
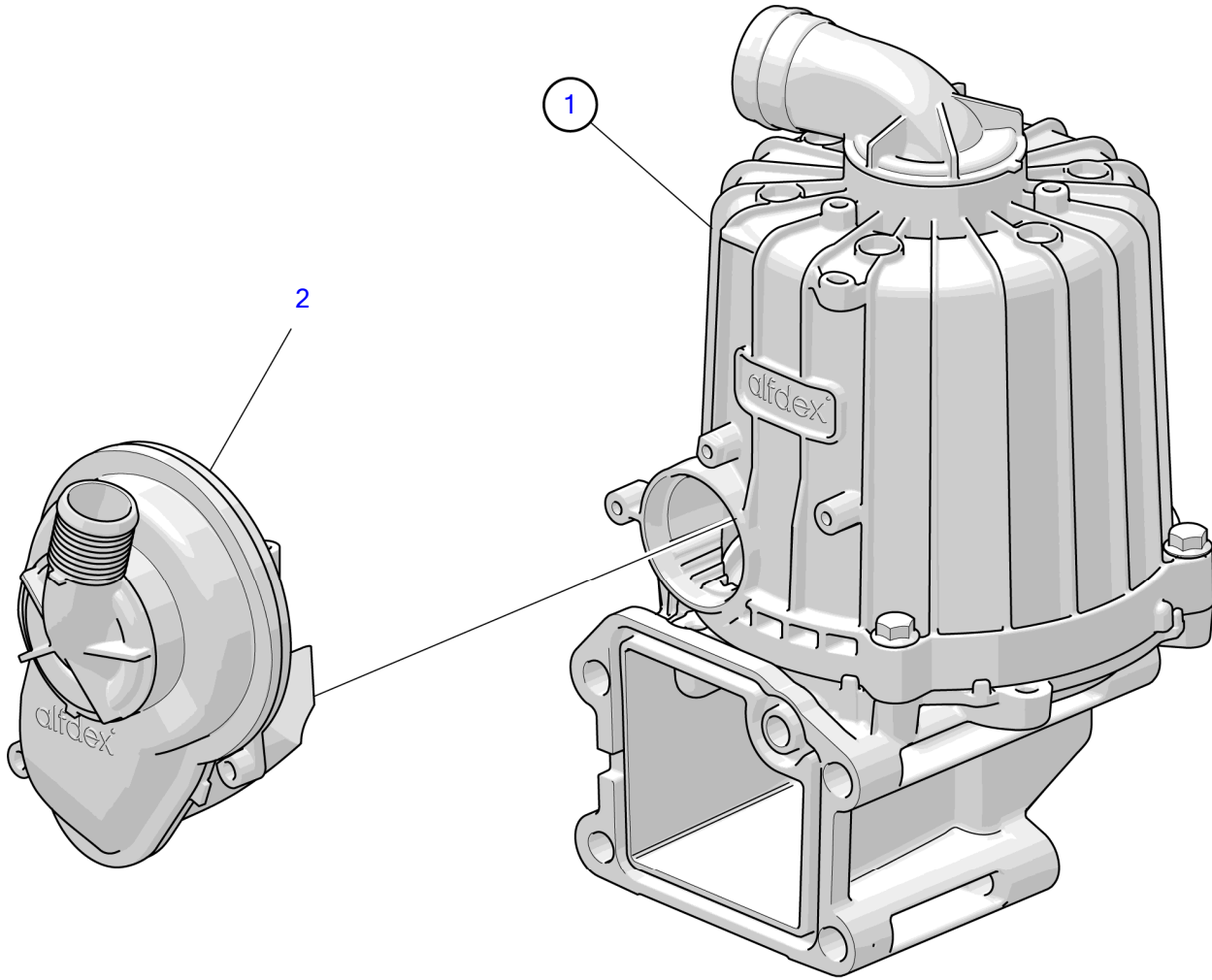
29846

TAD1380-82GE



29777

TAD1380-82GE



29978

CLICK HERE TO **DOWNLOAD** THE COMPLETE MANUAL

- Thank you very much for reading the preview of the manual.
- You can download the complete manual from: www.heydownloads.com by clicking the link below



- Please note: If there is no response to CLICKING the link, please download this PDF first and then click on it.

CLICK HERE TO **DOWNLOAD** THE COMPLETE MANUAL

TAD1380-82GE

REF	PART NO.	QTY	DESCRIPTION	SEE SEC.	NOTES
1		1	Tank / base		
2	21839998	1	• Def tank		
3	82269261	1	• • Filter		
4	21840786	1	• • Filler neck		
5	20562668	1	• • Plug		
6	982724	1	• • Gasket		
7	21509071	1	• • Gasket		
8	21396797	1	• Cover		
9	22462382	1	• Decal		
10	17248402	1	• Filler cap		
	23029052	1	• Filler cap		Option, Lockable
11	991606	1	• Flange screw		
12	993419	11	• Washer		
13	982285	9	• Flange screw		
14	8142642	1	• Grommet		
15	20757803	1	• Hose clamp		
16	23158313	1	• Sensor	54165520	
17	21403483	1	• Tube		
18	945611	1	• Clamp		
19	984733	20	• Flange screw		
20	990942	6	• Flange nut		
21	21378628	2	• Bracket		
22	21179847	1	• Bracket		
23	21179843	1	• Bracket		
24	22114811	1	• Bracket		
25	22114813	1	• Bracket		
26	21377897	1	• Bracket, heater		
27	21374290	1	• Bracket		
28	995530	8	• Flange screw		
29	60113311	8	• Washer		
30	990809	6	• Flange screw		
31	984855	6	Flange screw		
32	994522	6	Flange lock nut		

TAD1380-82GE

REF	PART NO.	QTY	DESCRIPTION
1	22887993	1	Service kit
2		1	• Hose clamp
3		1	• Hose
4		1	• Hose clamp
5		1	• Pressure pipe
6	21861042	1	Service kit
7		2	• Hose clamp
8		1	• Hose
9		1	• Pressure pipe
10		1	Installation kit
11	23016300	1	• Hose
12	23136497	1	• Hose
13	975273	3	• Hose clamp
14	976576	1	• Hose clamp
15		1	Installation kit
16	23068095	2	• Pipe

TAD1380-82GE

REF	PART NO.	QTY	DESCRIPTION	SEE SEC.
1		1	Pump unit, kit	
2	23258518	1	• Pump unit	
3	24063244	1	Filter	
4	21376707	1	• Filter cap	
5	21376721	1	• Connector	
6	21376731	1	• Connector	
7	21376749	2	• Connector	
8	23492131	1	• Connector	
9	21954674	1	• Strainer	
10	984743	3	• Flange screw	
11	22494348	1	Hose	54165519
12	21966042	1	Hose	54165519
13	990536	X	Rubber hose	
14	994556	4	Hose clamp	
15	20805109	3	Quick coupling	
16	20805110	1	Quick coupling	
17	21314741	1	Solenoid valve	
18	20767833	1	Bracket	
19	984725	4	Flange screw	

TAD1341-43GE-B

REF	PART NO.	QTY	DESCRIPTION	NOTES
1	3587941	1	Exhaust pipe elbow	5"
2	479979	1	• Plug	
3	3587939	1	• Flange	
4	21211715	1	V-clamp	
5	984739	1	Flange screw	
6	990950	1	Flange lock nut	
7	3587943	1	Exhaust pipe elbow	6"
8	479979	1	• Plug	
9	3587939	1	• Flange	
10	3828217	1	Exhaust pipe	5"
	3828218	1	Exhaust pipe	6"
11	994412	16	Hexagon screw	
12	848668	1	Gasket	5"
	862593	2	Gasket	6"
13	848646	2	Weld flange	5"
	836883	2	Flange	6"
14	994896	16	Spring washer	
15	990972	16	Hexagon nut	
16	3594403	1	Muffler	5"
	21420053	1	Muffler	6"

TAD1380-82GE

REF	PART NO.	QTY	DESCRIPTION	NOTES
1		1	Expansion tank	Ratio 1:0.99
2	23275232	1	• Expansion tank	
3	23321023	1	• Pressure cap	
4	1674922	1	• Filler cap	
5	21399626	1	• Sensor	
6	990862	1	Flange screw	
7	843028	1	Spacer sleeve	
8	975103	1	Flange screw	
9	3830771	1	Spacer sleeve	
10	984751	5	Flange screw	
11	3839262	1	Protecting casing	
12	3830539	1	Cover	
13	984732	4	Flange screw	
14	990950	1	Flange lock nut	
15	984733	2	Flange screw	
16	3831494	1	Bracket	
17	21506995	1	Label	
18	(3842243)	1	Warning decal	
19	3842724	1	Warning decal	

TAD1380-82GE

REF	PART NO.	QTY	DESCRIPTION
1	3827871	1	Radiator protector
2	994385	6	Flange screw
3	846118	1	Emblem
4	994923	2	Six point socket scr

TAD1341GE, TAD1342GE, TAD1343GE, TAD1344GE, TAD1345GE, TAD1350GE, TAD1351GE, TAD1352GE, TAD1353GE,
TAD1354GE, TAD1355GE

REF	PART NO.	QTY	DESCRIPTION	SEE SEC.	NOTES
1	21210284	1	Fan		Suction fan
	3595217	1	Fan		Pushing fan
2	21318856	6	Six point screw		
3	21315242	1	Clutch		Replaced by 21486690
	21486690	1	Clutch		Replaced by 21968941
	21968941	1	Clutch		
4	21315240	1	Sensor		
5	21318856	2	Six point screw		
6	21303458	1	Bracket		
7	984733	2	Flange screw		
8	948211	4	Cable tie		
9	21314136	1	Fan hub		
10	953007	6	Stud		
11	21305942	1	Adapter		
12	990941	6	Flange nut		
13		1	Strap	54158689	
14		1	Pulley	54158689	
15	21188949	1	Bracket		
16	984756	1	Flange screw		

TAD1380-82GE

REF	PART NO.	QTY	DESCRIPTION
1	21940861	1	Protecting screen
2	3883499	5	• Rubber bushing
3	21972025	5	• Shoulder screw
4	984732	3	• Flange screw
5	23073010	1	Protecting screen
6	3883499	5	• Rubber bushing
7	21972025	4	• Shoulder screw
8	3830336	1	• Spacer
9	3819955	1	• Bracket
10	826652	2	• Spacer sleeve
11	984732	4	Flange screw
12	984738	1	Flange screw
13	994386	1	Flange screw
14	984733	8	Flange screw
15	3828856	3	Bracket
16	21335523	1	Protecting screen
17	984752	2	Flange screw
18	3888285	1	Protecting screen
19	23416797	1	Bracket
20	3888283	1	Bracket
21	984737	1	Flange screw
22	23073008	1	Protecting screen
23	3883499	6	• Rubber bushing
24	21972025	6	• Shoulder screw

TAD1380-82GE

REF	PART NO.	QTY	DESCRIPTION	SEE SEC.	NOTES
1	3595217	1	Fan, pusher type		Pushing fan
	21210284	1	Fan, suction type		Suction fan
2	21968941	1	Clutch		
3	21305942	1	Adapter		
4	21318856	6	Six point screw		
5	990941	6	Flange nut		
6	953007	6	Stud		
7	78467466	2	Fan guard		
8	22147274	6	• Flange screw		
9	845988	6	• Spacer sleeve		
10	21860181	6	• Rubber damper		
11	21314136	1	Fan hub		
12	21924453	1	Fan hub	54165555	
13	21315240	1	Sensor		
14	984733	2	Flange screw		
15	21303458	1	Bracket		
16	21188949	1	Bracket		
17	948211	X	Cable tie		
18	948702	X	Cable tie		
19	78467607	2	Filter netting		Pushing fan

TAD1380-82GE

REF	PART NO.	QTY	DESCRIPTION	SEE SEC.	NOTES
1	21429786	1	Alternator	54166439	28V 110A
	21561402	1	Alternator	54166440	28V/150A, Replaced by 22591478
	22591478	1	Alternator	54166440	28V 150A
2	3886356	1	Bracket		
3	975121	4	Flange screw		
4	984755	1	Flange screw		
5	21308514	2	Insulating bushing		
6	984826	1	Flange screw		
7	990952	1	Flange lock nut		
8	21328137	2	Insulating bushing		
9	990950	1	Flange lock nut		
10	3887787	1	Bracket		
11	984739	1	Flange screw		
12	984756	2	Flange screw		
13	975103	1	Flange screw		
14	21422765	1	Belt tensioner		
15	20464710	1	V-ribbed belt		
	22275091	1	V-ribbed belt		Used when AC-compressor is mounted.
16	23446931	1	Wiring harness, Braided		
17	983715	2	Hexagon nut		
18	20576874	2	Cap plug		
19	1357345	1	Spacer sleeve		
20	983714	1	Hexagon nut		
21	983717	2	Hexagon nut		
22	948211	X	Cable tie		

TAD1341-43GE-B, TAD1344-45GE-B, TAD1346GE

REF	PART NO.	QTY	DESCRIPTION	NOTES
1	23288365	1	Starter motor	Standard, 24V
2	953098	3	Stud	
3	990942	3	Flange nut	
4	21308514	3	Insulating bushing	
5	3888763	1	Gasket	
6	21546674	1	Cable kit	
7	948211	2	Cable tie	
8	984732	1	Flange screw	
9	983717	2	Hexagon nut	
10	983714	2	Hexagon nut	

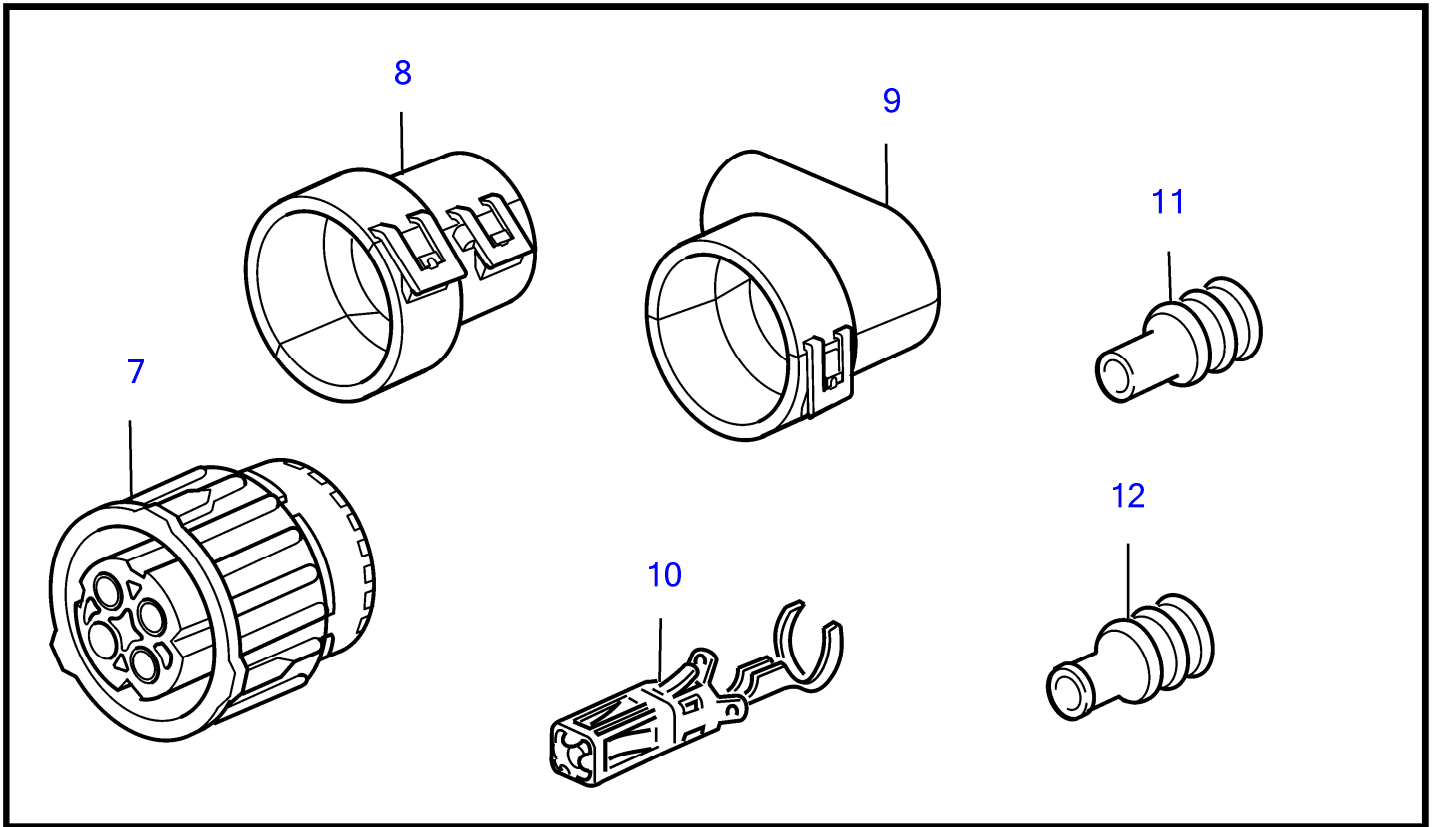
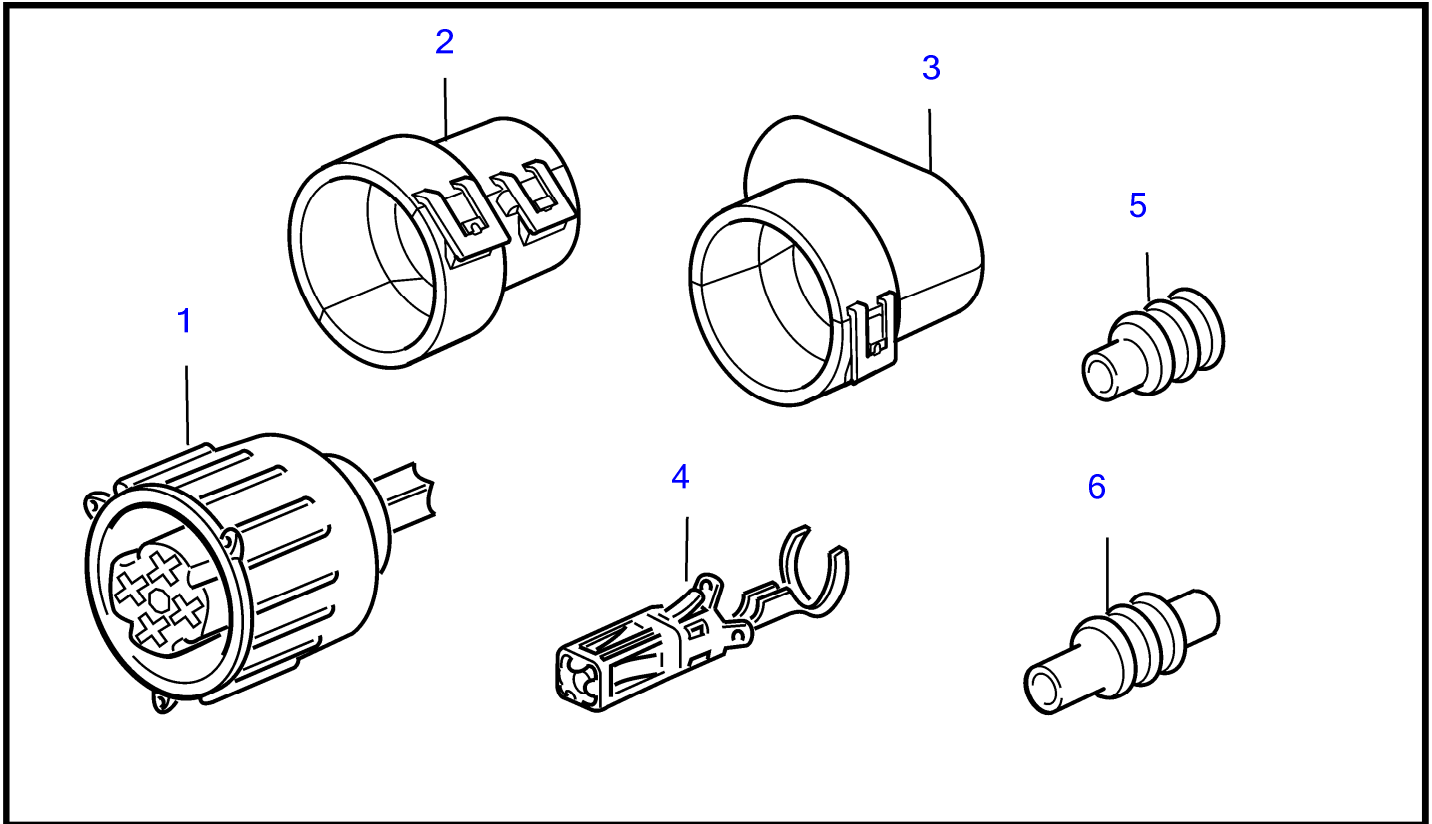
TAD1341GE, TAD1342GE, TAD1343GE, TAD1344GE, TAD1345GE, TAD1350GE, TAD1351GE, TAD1352GE, TAD1353GE,
TAD1354GE, TAD1355GE

REF	PART NO.	QTY	DESCRIPTION	NOTES
1	20429842	1	Housing	Black
	20429843	1	Housing	Gray
2	20429844	1	Adapter	
3	949997	2	Clamp	
4	984734	2	Flange screw	
5	20959036	1	Control unit, not programmed	
	3586269	1	Software	Warehouse programming. This p/n can not be ordered, but will be used for invoicing.
	(3586268)	1	Software	Vodia-programming. This p/n can not be ordered, but will be used for invoicing.
6	3095161	4	Rubber cushion	
7	984738	4	Flange screw	

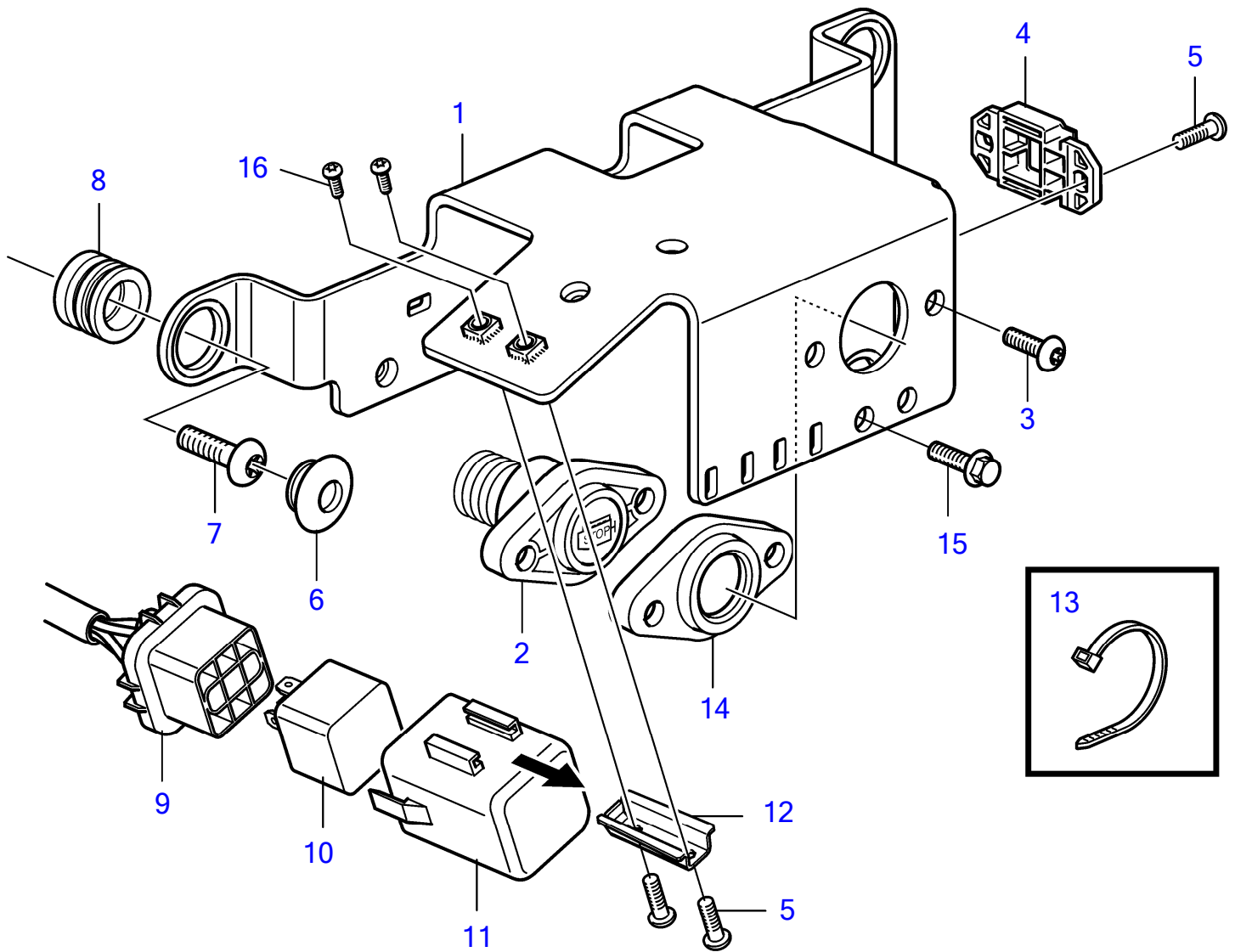
TAD1341GE, TAD1342GE, TAD1343GE, TAD1344GE, TAD1345GE, TAD1350GE, TAD1351GE, TAD1352GE, TAD1353GE, TAD1354GE, TAD1355GE

REF	PART NO.	QTY	DESCRIPTION	SEE SEC.
1	21910107	1	Wiring harness	
2		1	Relay box	54158729
3		2	Switch	54158735
4	949746	6	Clamp	
5	984736	1	Flange screw	
6	994834	1	Spacer sleeve	
7	949747	1	Clamp	
8	984733	6	Flange screw	
9	1545432	2	Attaching clamp	
10	947827	2	Clamp	
11	973924	1	Flange screw	
12	977801	1	Spacer sleeve	
13	949997	2	Clamp	
14	984734	2	Flange screw	
15	3121512	3	Retainer	
16	948211	X	Cable tie	
17	977743	1	Clamp	

TAD1341-43GE-B, TAD1344-45GE-B, TAD1380-82GE

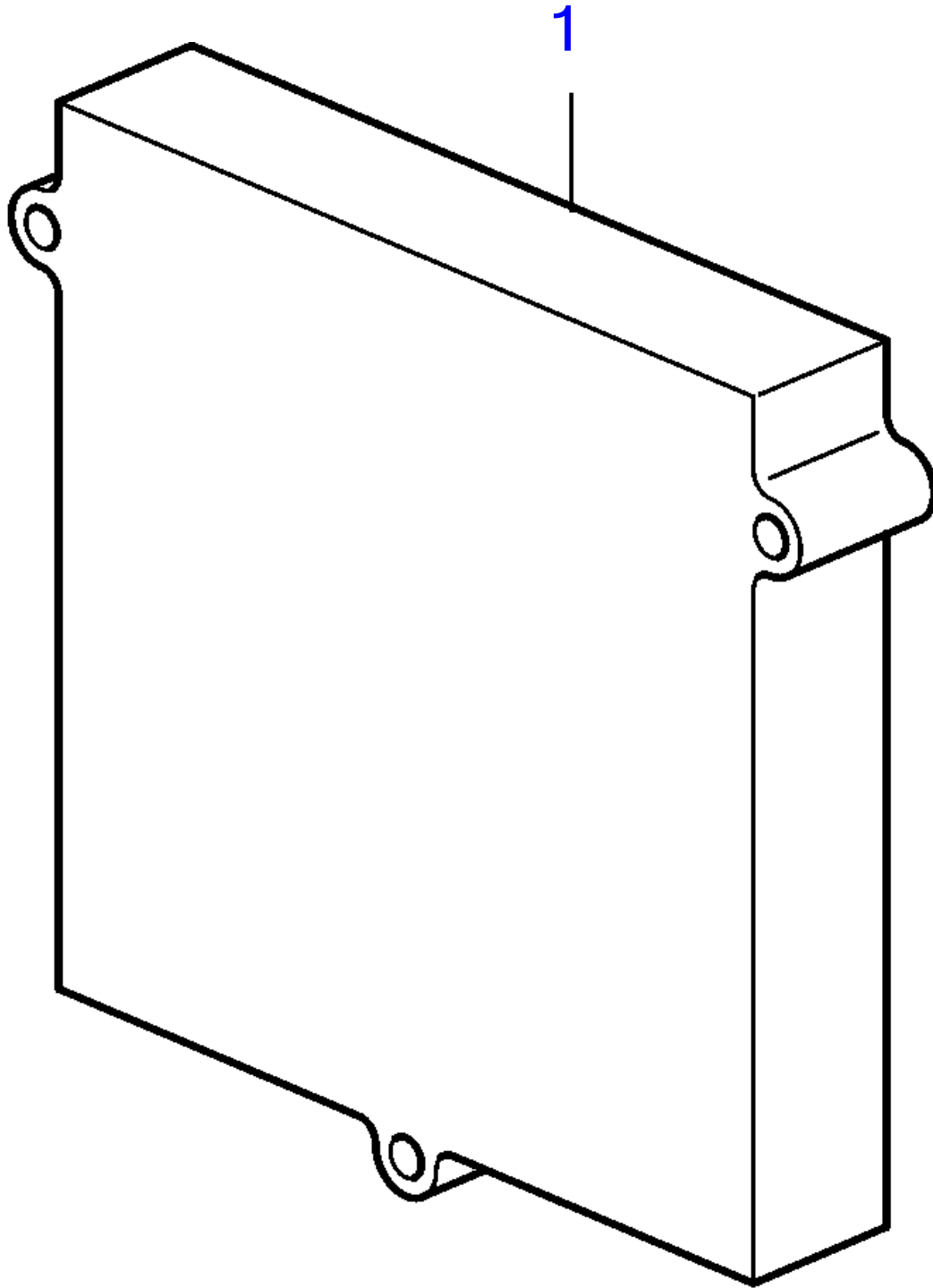


TAD1341GE, TAD1342GE, TAD1343GE, TAD1344GE, TAD1345GE, TAD1350GE, TAD1351GE, TAD1352GE, TAD1353GE



28718

TAD1341GE, TAD1342GE, TAD1343GE, TAD1344GE, TAD1345GE, TAD1350GE, TAD1351GE, TAD1352GE, TAD1353GE, TAD1354GE, TAD1355GE



22887

REF	PART NO.	QTY	DESCRIPTION	NOTES
	(881497)	1	Terminal	M8x2,6-6,0mm ²
	(881498)	1	Terminal	M10x2,6-6,0mm ²
	940331	1	Terminal	M5x6,1-10,0mm ²
	(940332)	1	Terminal	M6x6,1-10,0mm ²
	940333	1	Terminal	M8x6,1-10,0mm ²
	(940334)	1	Terminal	M10x6,1-10,0mm ²
	881512	1	Terminal	M5x10,1-16,0mm ²
	940335	1	Terminal	M6x10,1-16,0mm ²
	940336	1	Terminal	M8x10,1-16,0mm ²
	940337	1	Terminal	M10x10,1-16,0mm ²
21	949587	1	Terminal	M10x10mm ²
22	8140576	1	Nut	M4
23	865758	1	Cable terminal	I.D=12,5 D=23mm
24	944485	1	Terminal	6,3xM5x180
25	839328	1	Tab	16,3x6,3x0,8
26	881491	1	Terminal	6,3x0,75-2,1mm ²
27	853015	1	Cable terminal	For trim instrument., For 853866, Yasaki
28	942429	1	Terminal	For 853866, Yasaki
29	3829867	1	Cable terminal	
	3829868	1	Cable terminal	
30	970777	1	Terminal	
31	968377	1	Housing	2,8x2 natural
	968379	1	Housing	2,8x2 gray
32	968376	1	Housing	4,8/2,8x2 natural
	968378	1	Housing	4,8/2,8x2 gray
33	974313	1	Terminal	2,8x0,8x1,1-2,5mm ²
34	968401	1	Housing	2,8x8 natural
35	968400	1	Housing	4,8/2,8x8 natural
36	976256	1	Housing	2-pole
37	967713	1	Housing	3-pole

TAD1380-82GE

REF	PART NO.	QTY	DESCRIPTION	NOTES
1	84094705	1	Compressor	
2	3175916	1	Block	I.D=15mm
3	3175914	1	Block	I.D=11mm
4	984734	2	Flange screw	
5	20708247	1	O-ring	
6	20443759	1	O-ring	
7	1307035	1	Housing	
8	984744	4	Flange screw	
9	22275091	1	V-ribbed belt	

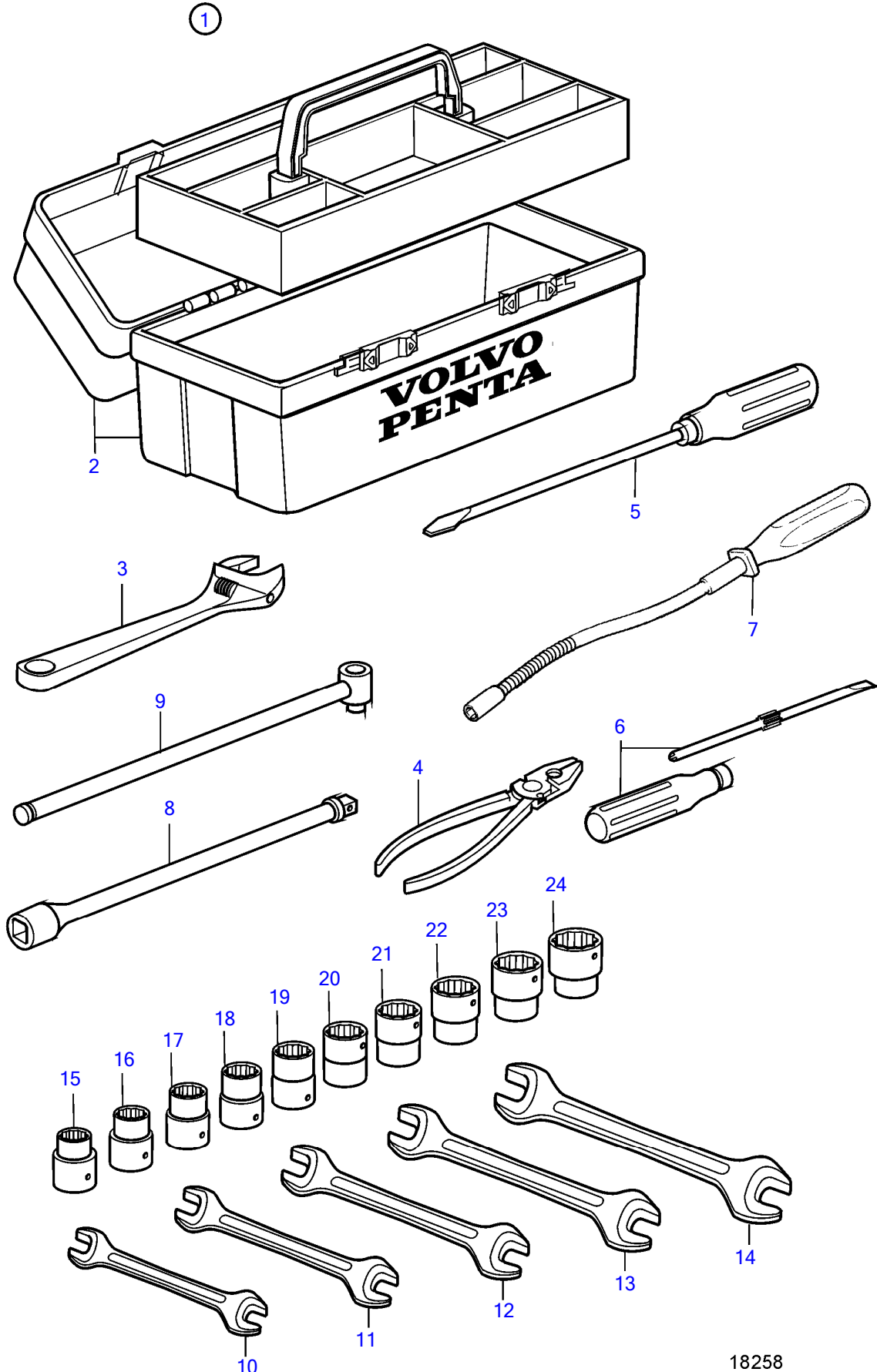
TAD1380-82GE

REF	PART NO.	QTY	DESCRIPTION	NOTES
1		1	Engine block heater,	
2	23031416	1	• Engine heater	110V/1500W
3	984725	2	• Flange screw	
4	975664	1	• O-ring	
5	22878793	1	• Cable	L=5m
6	23398068	1	• Cable	L=1500mm
7	1079218	1	• Retainer	
8	20587131	2	• Locking clamp	
9	22988650	1	• Locking device	
10	21233086	1	Quick-coupling kit	
11	21243777	1	Connector	
12	471752	1	Cover	
13	975664	1	O-ring	
14	984725	2	Flange screw	

TAD1341GE, TAD1342GE, TAD1343GE, TAD1344GE, TAD1345GE, TAD1350GE, TAD1351GE, TAD1352GE, TAD1353GE

REF	PART NO.	QTY	DESCRIPTION	NOTES
1	21105280	1	Engine heater	220-240V, 1500W
2	21158384	1	Coolant pipe	SN-2013665388
	22531010	1	Coolant pipe	SN2013665389-
3	960634	1	• Plug	
4	976932	1	• Gasket	
5	471708	1	Rubber moulding	
6	984736	2	Flange screw	
7	975697	1	O-ring	
8	925255	1	O-ring	
9	975664	1	O-ring	
10	984725	2	Flange screw	
11	82046590	1	Extension cable	Connected with the heater
12	8153710	1	Extension cable	If needed between pos 11 and pos 13 length 3200mm
13	3589627	1	Cable	Connected after pos 11
14	3986351	1	Cable	Connect after pos 13 and then into the wall

TAD1380-82GE



18258

REF	PART NO.	QTY	DESCRIPTION	NOTES
1	22035823	1	Fuel filter housing	
2		1	• Fuel filter housing	
3	20744692	1	• Cap	
4	20528999	2	• Ball	
5	22763401	1	• Hand pump	
6	(20784020)	1	• • Pump shaft	Not available as separate spare part
7	(20784027)	1	• • Spring	Not available as separate spare part, Not supplied with kit, Use existing
8	(20528991)	1	• • Support ring	Not available as separate spare part
9	(20528992)	1	• • Plunger	Not available as separate spare part
10	(20528990)	1	• • O-ring	Not available as separate spare part
11	20542751	1	• Plug	
12		1	• Nipple	
13	22899626	1	• Pressure sensor	
14	20998367	1	Fuel filter	
15	22480372	1	Fuel filter	
16	22859766	3	Flange screw	
17	21091546	3	Rubber element	
18	21333413	1	Bowl	Plastic
19	967344	1	O-ring	
20	3594288	1	Valve	
21	993586	1	Banjo nipple	
22	993685	2	Gasket	
23	993616	1	Banjo nipple	Return, 1/4"

REF	DESCRIPTION	SEE SEC.
210	Engine Repair Parts	210
211	Cylinder Head	211
212	Cylinder Block, Flywheel Housing	212
214	Valve Mechanism, Cam Follower and Rocker Arm Shaft	214
215	Timing Gears, Cover and Camshaft	215
216	Crankshaft, Flywheel and Ring Gear, Damper Vibration	216
218	Engine Mounting	218
219	Miscellaneous, Engine	219

DESCRIPTION	SEE SEC.	NOTES
Extended Dipstick for Aluminum Sump	54166603	TAD1341-43GE-B, TAD1344-45GE-B
Extended Dipstick for Plastic Sump	54165486	TAD1380-82GE
Oil Dipstick Extended for Plastic Oil Pan	54165624	TAD1341-43GE-B, TAD1344-45GE-B
Oil Dipstick short,For Aluminium Pan	54166604	TAD1341-43GE-B, TAD1344-45GE-B
Oil Dipstick. Extended	54161079	TAD1350GE, TAD1351GE, TAD1352GE, TAD1353GE, TAD1341GE, TAD1343GE, TAD1345GE, TAD1342GE, TAD1344GE, TAD1354GE, TAD1355GE

DESCRIPTION	SEE SEC.	NOTES
Exhaust Manifold	54165638	TAD1341-43GE-B, TAD1344-45GE-B
Exhaust Manifold	54161714	TAD1350GE, TAD1351GE, TAD1352GE, TAD1353GE, TAD1341GE, TAD1343GE, TAD1345GE, TAD1342GE, TAD1344GE, TAD1354GE, TAD1355GE
Exhaust Manifold and EGR system	54165509	TAD1380-82GE
Heat Shield for Exhaust Manifold	54165640	TAD1341-43GE-B, TAD1344-45GE-B
Heat Shield for Exhaust Manifold	54161426	TAD1350GE, TAD1351GE, TAD1352GE, TAD1353GE, TAD1341GE, TAD1343GE, TAD1345GE, TAD1342GE, TAD1344GE, TAD1354GE, TAD1355GE
Heat Shield for Exhaust Manifold and Valve Cover	54165639	TAD1341-43GE-B, TAD1344-45GE-B
Heat Shield for Exhaust Manifold and Valve Cover	54165511	TAD1380-82GE
Heat Shield for Exhaust Manifold and Valve Cover	54158672	TAD1350GE, TAD1351GE, TAD1352GE, TAD1353GE, TAD1341GE, TAD1343GE, TAD1345GE, TAD1342GE, TAD1344GE, TAD1354GE, TAD1355GE
Induction Manifold, RC	54165636	TAD1341-43GE-B, TAD1344-45GE-B
Induction Manifold, RC	54158678	TAD1350GE, TAD1351GE, TAD1352GE, TAD1353GE, TAD1341GE, TAD1343GE, TAD1345GE, TAD1342GE, TAD1344GE, TAD1354GE, TAD1355GE
Inlet Manifold	54165507	TAD1380-82GE
Inlet Manifold, Suction Fan	54165508	TAD1380-82GE

DESCRIPTION	SEE SEC.	NOTES
Contacts and Sensors	54165817	TAD1380-82GE
Contacts and Sensors: .	54165667	TAD1341-43GE-B, TAD1344-45GE-B
Contacts and Sensors: .	54158670	TAD1350GE, TAD1351GE, TAD1352GE, TAD1353GE, TAD1341GE, TAD1343GE, TAD1345GE, TAD1342GE, TAD1344GE, TAD1354GE, TAD1355GE
Electrical Materials, Instrument	54165856	TAD1380-82GE

CLICK HERE TO **DOWNLOAD** THE COMPLETE MANUAL

- Thank you very much for reading the preview of the manual.
- You can download the complete manual from: www.heydownloads.com by clicking the link below



- Please note: If there is no response to CLICKING the link, please download this PDF first and then click on it.

CLICK HERE TO **DOWNLOAD** THE COMPLETE MANUAL