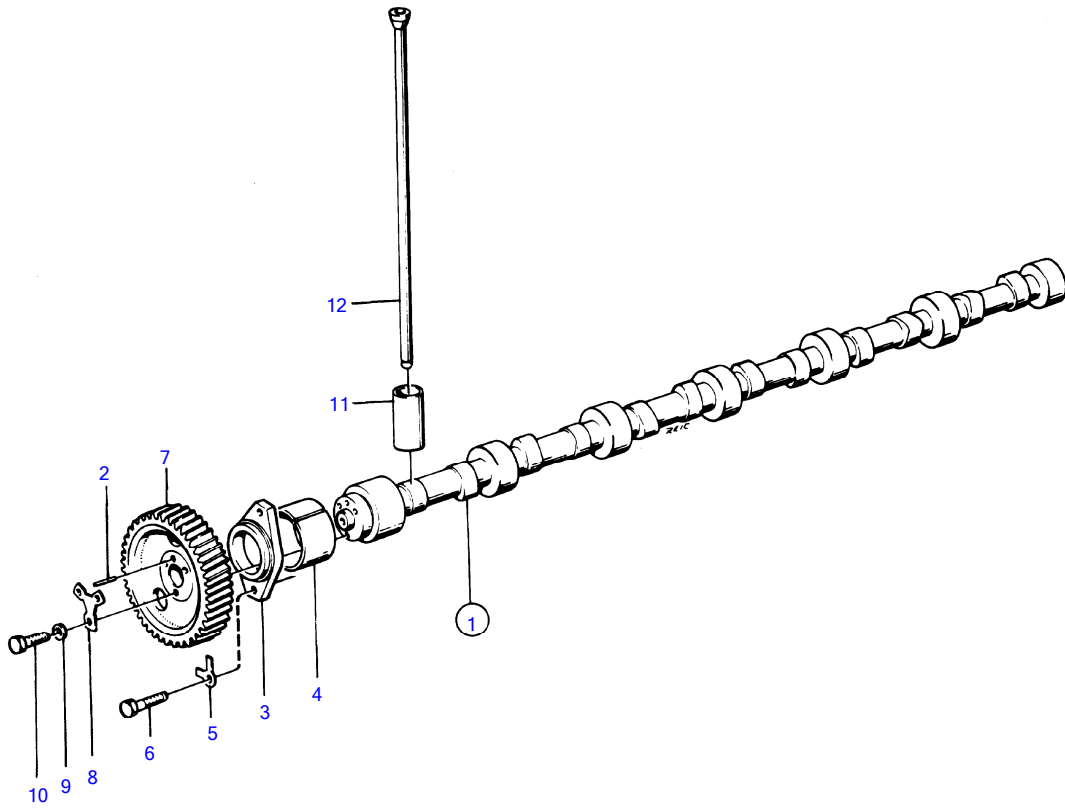


TD121CRC



5461

CLICK HERE TO **DOWNLOAD** THE COMPLETE MANUAL

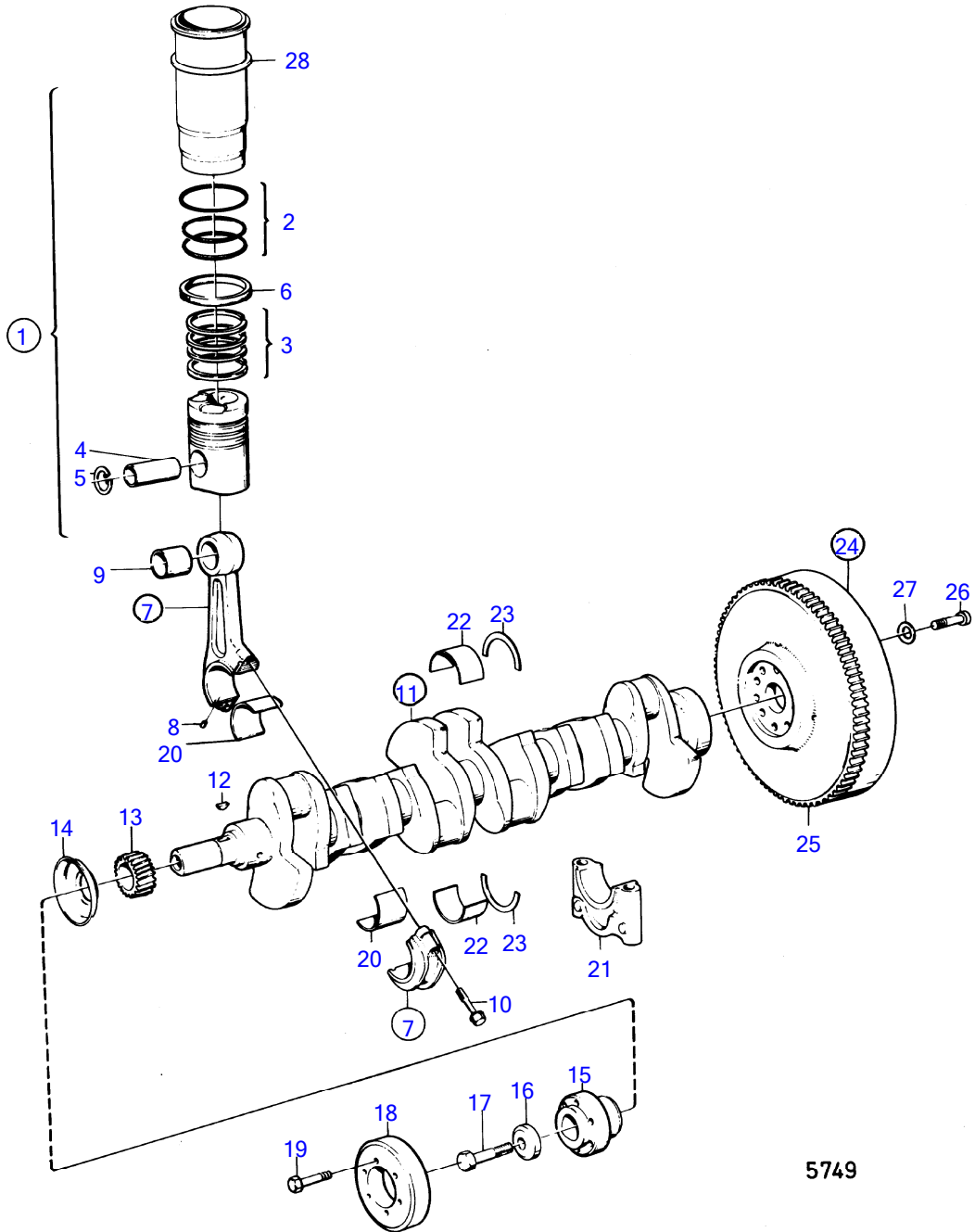
- Thank you very much for reading the preview of the manual.
- You can download the complete manual from: www.heydownloads.com by clicking the link below



- Please note: If there is no response to CLICKING the link, please download this PDF first and then click on it.

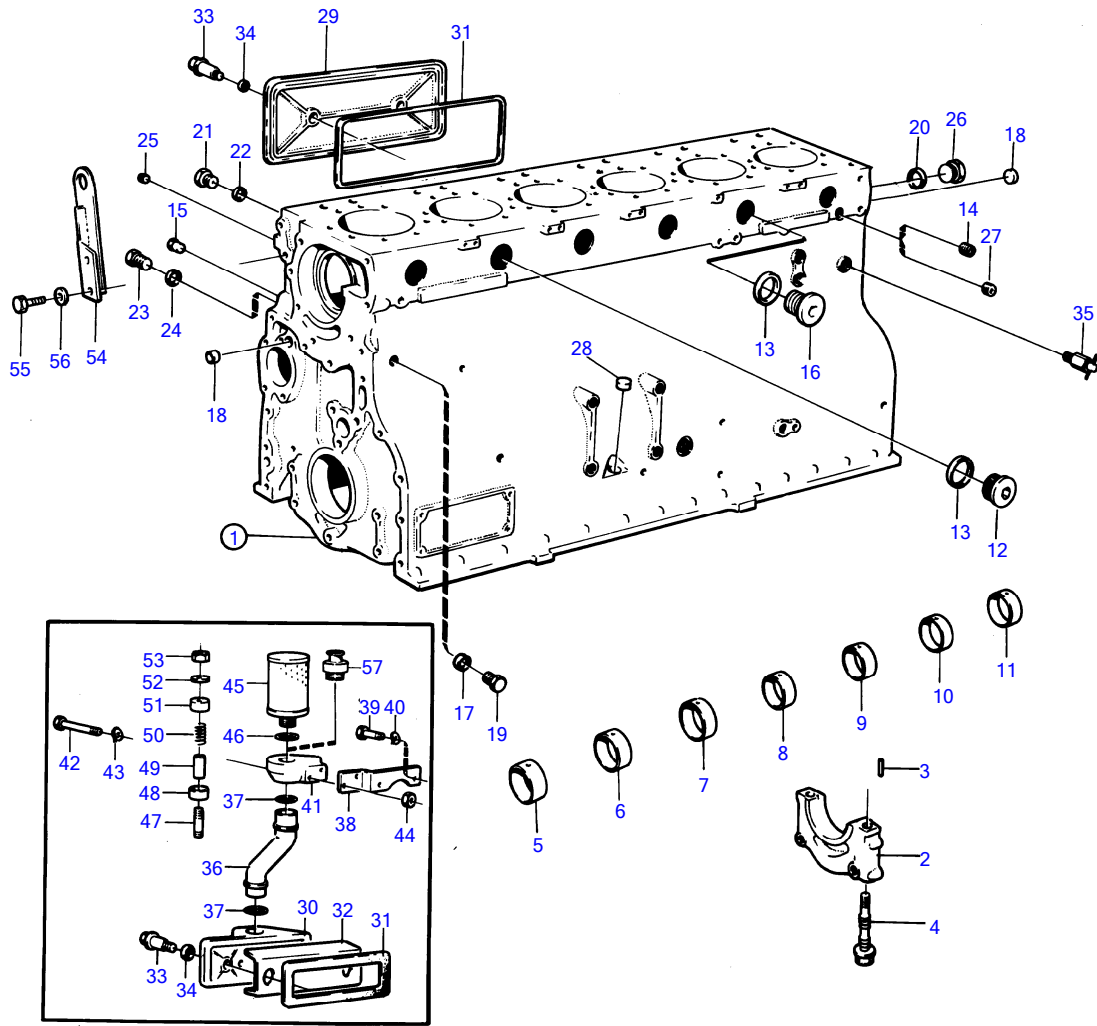
CLICK HERE TO **DOWNLOAD** THE COMPLETE MANUAL

TAD121CHC



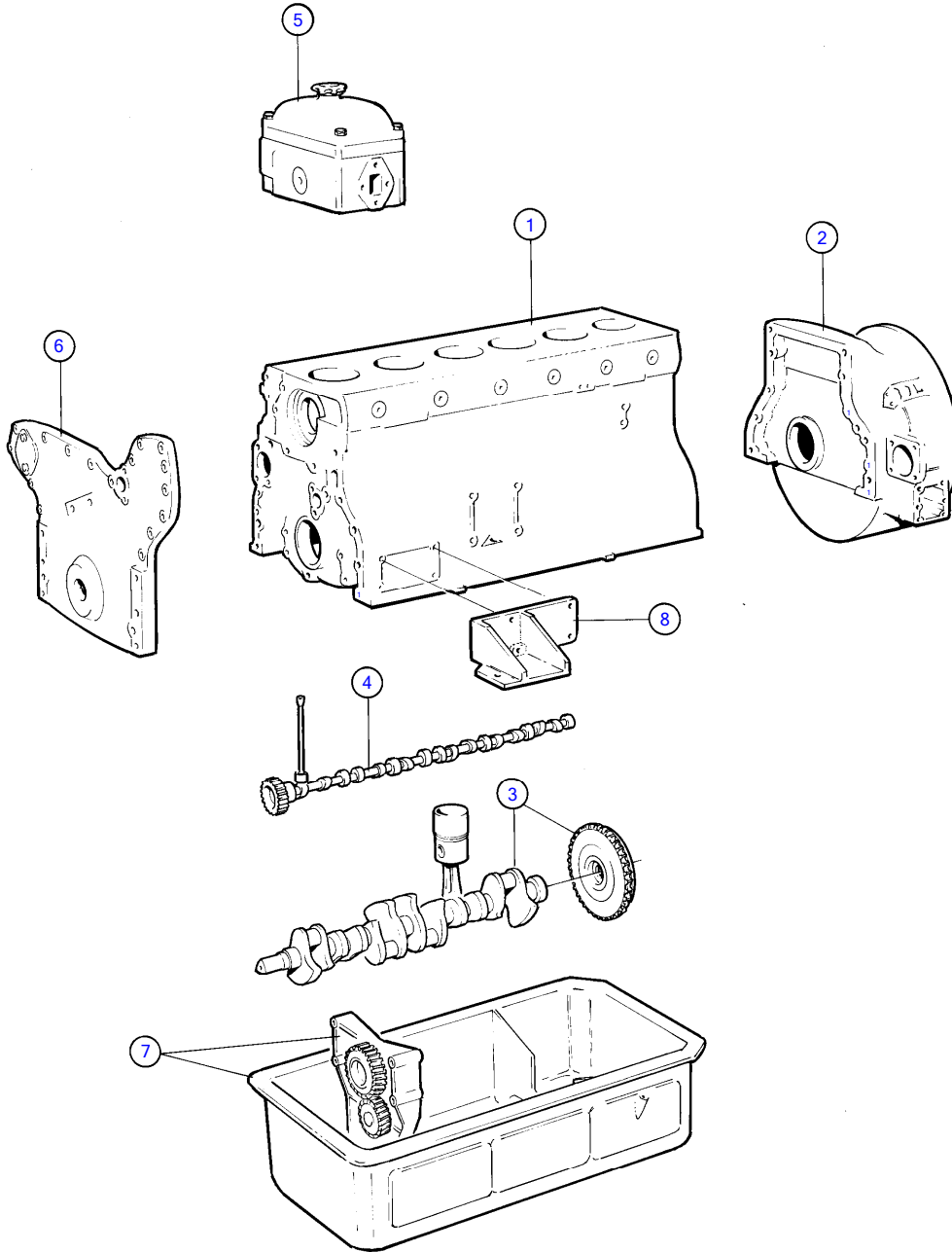
5749

TD100CRC



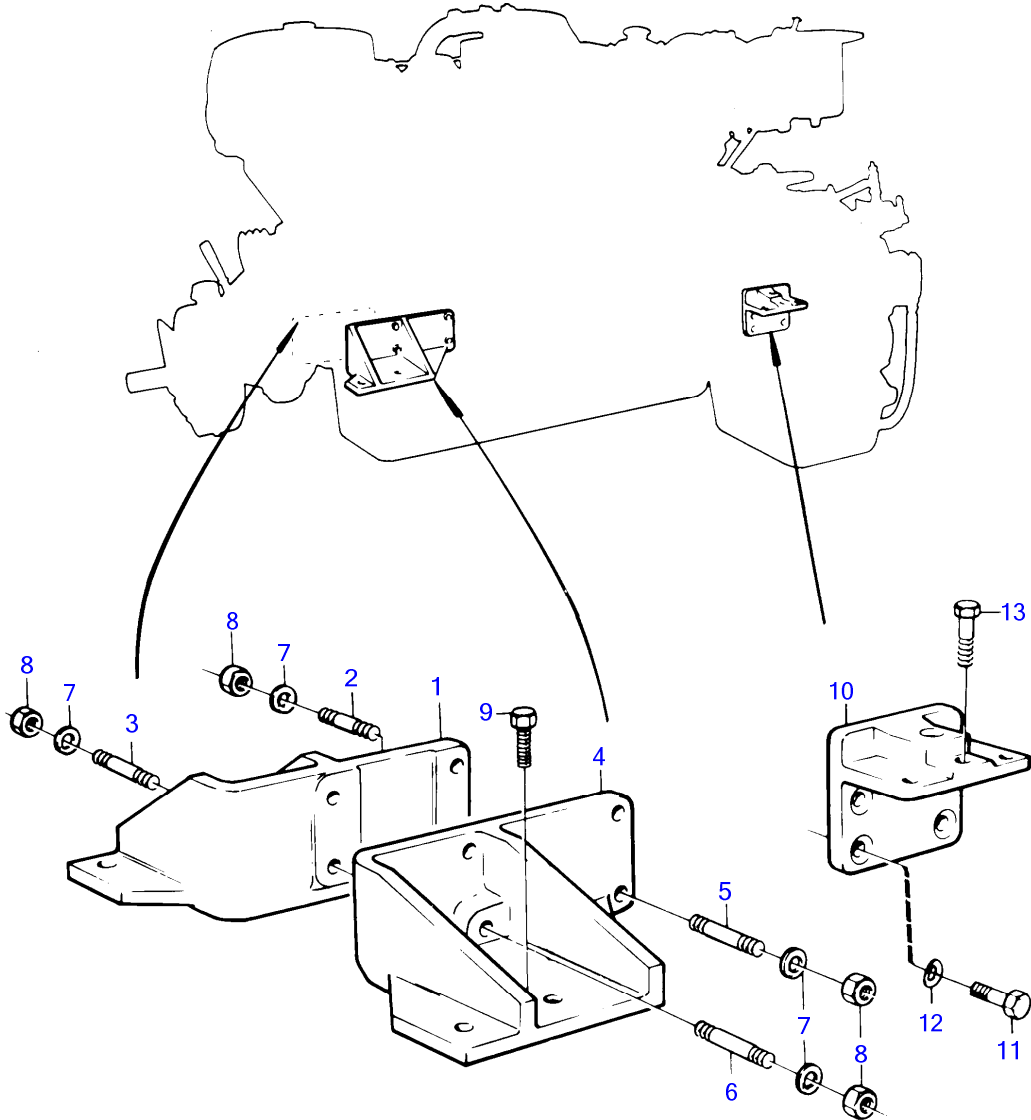
8609

TAD121CHC

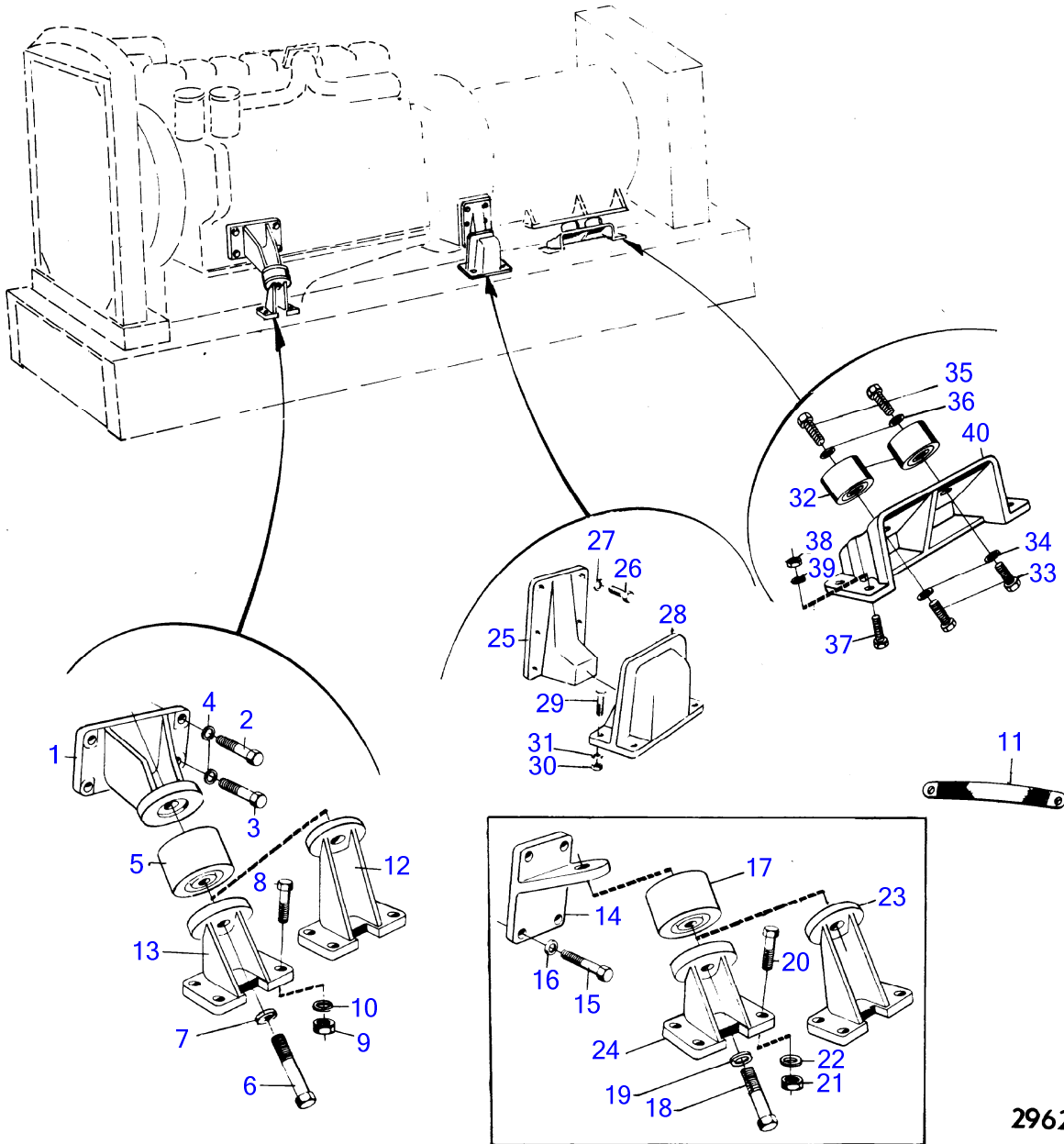


6488

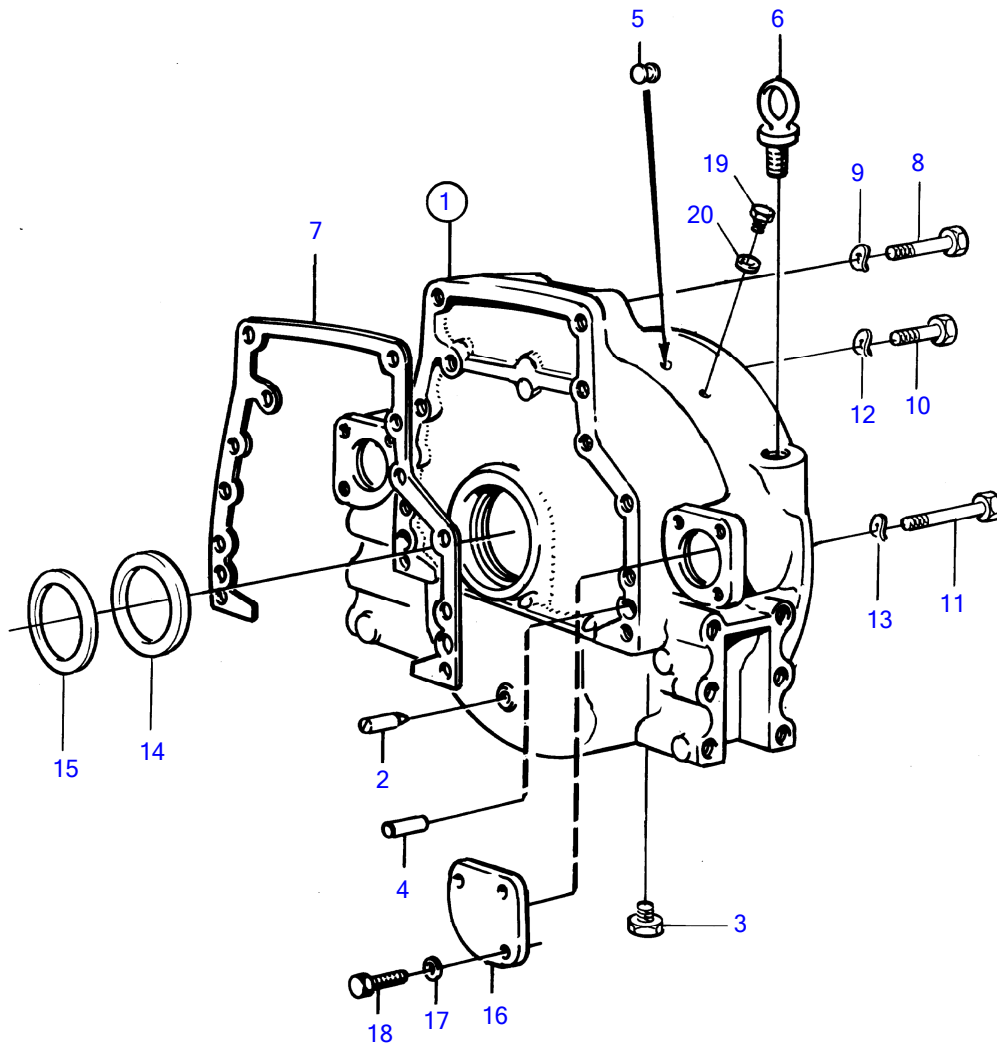
TAD121CHC



6727

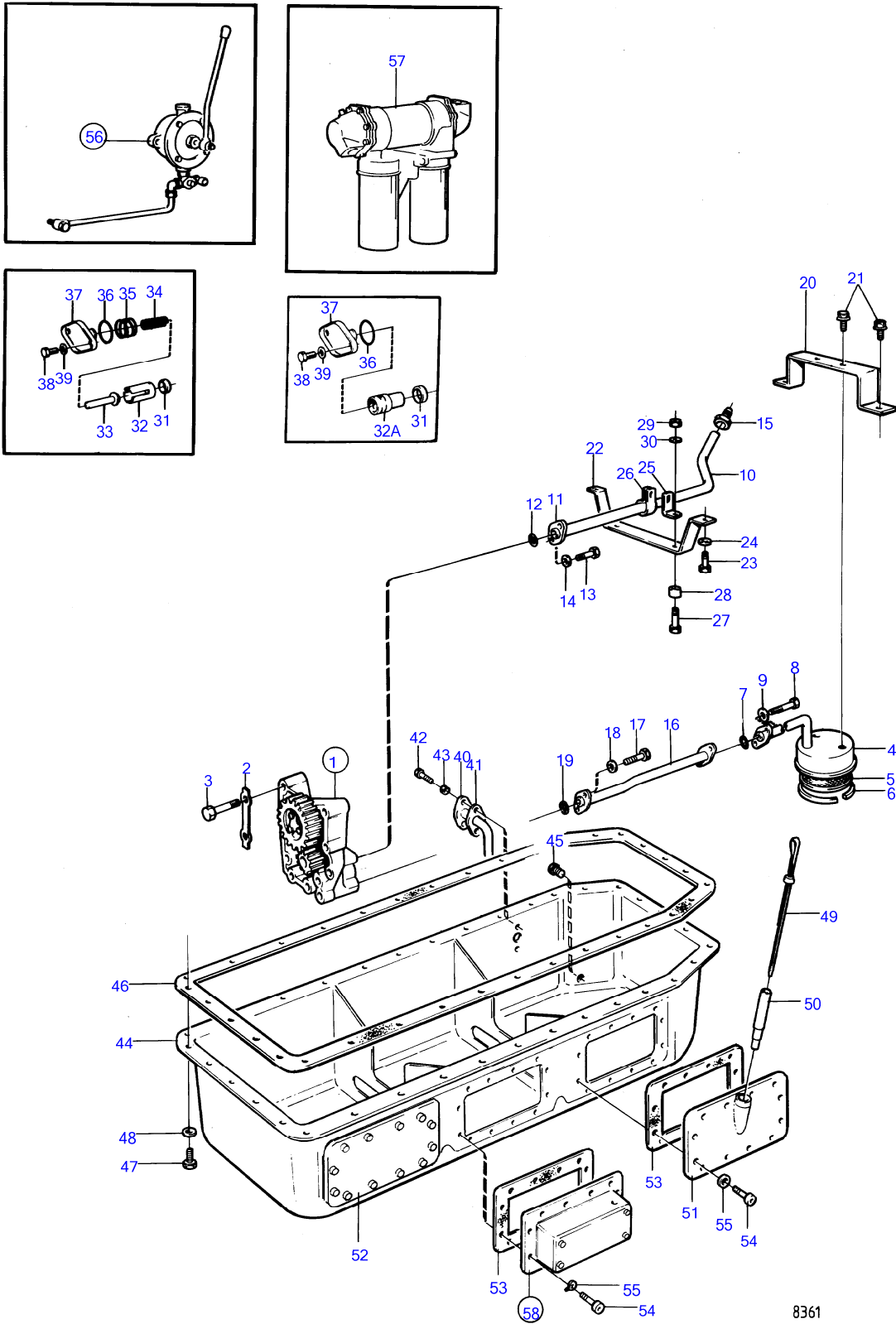


TD121CHC



7714

TD100CRC



8361

TD100CHC

REF	PART NO.	QTY	DESCRIPTION
1	805999	1	Oil bilge pump
2	821713	1	• Handle
3	955827	1	• Hexagon nut
4	940162	2	Hexagon screw
5	955827	2	Hexagon nut
6	942336	2	Spring washer
7	(847356)	1	Tube
8	16452	1	Double nipple
9	26013	1	Hollow screw
10	957181	2	Gasket
11	(941752)	1	Fitting nut
12	941753	1	Ferrule
13	941758	1	Elbow nipple
14	820506	2	Spacer sleeve
15	807721	1	Three-way cook
16	961610	2	Hose nipple
17	(820582)	1	Bracket
18	955527	1	Hexagon screw
19	941907	1	Spring washer
20	(812942)	1	Spacer sleeve
21	940159	2	Hexagon screw
22	941907	2	Spring washer

TD100CRC

REF	PART NO.	QTY	DESCRIPTION	NOTES
1	422797	1	Oil filter housing	
2		1	• housing	
3	471085	2	• Valve cone	
4	466653	1	• Compression spring	
5	18677	2	• Gasket	
6	466624	1	• Plug	
7	471775	1	• Compression spring	
8	(478176)	1	• Plug	
9	469487	1	Gasket	
10	(849027)	1	Oil pipe	See group 2B
11	925059	2	O-ring	
12	955536	2	Hexagon screw	
13	942336	2	Spring washer	
14	955827	2	Hexagon nut	
15	940097	2	Washer	
16	466623	2	Nipple	
17	466634	2	Oil filter	

TD121CRC

REF	PART NO.	QTY	DESCRIPTION	NOTES
1		1	bracket with shifting valve	
2	(846999)	1	• Bracket	
3	957180	5	• Gasket	
4	914391	5	• Plug	
5	471085	1	• Valve cone	
6	466653	1	• Compression spring	
7	466624	1	• Plug	
8	18677	1	• Gasket	
9	824198	1	• Valve peg	
10	925057	2	• O-ring	
11	907868	1	• Split pin	
12	824195	1	• Flange	
13	(950022)	2	• Cross recessed screw	
14	466623	2	• Nipple	
15	949657	2	O-ring	
16	955537	4	Hexagon screw	
17	942336	4	Spring washer	
18	466634	2	Oil filter	
19		1	pipe	See group 2B

REF	PART NO.	QTY	DESCRIPTION	NOTES
1	1545119	1	Oil pump	
2		1	•	
3	470234	1	• Bushing	
4	401146	2	• Guide sleeve	
5	(422042)	1	• Bracket	
6	470234	1	• • Bushing	
7	(422041)	1	• • Pivot pin	
8	191171	1	• Pin	
9	(425027)	1	• Gear	
10	424133	1	• Washer	
11	910115	1	• Woodruff key	
12	940136	2	• Hexagon screw	
13	941907	2	• Spring washer	
14	422047	1	• Gear	
15		1	• • bushing	
16	422313	1	• Bearing sleeve	
17	941907	1	• Spring washer	
18	940186	3	• Hexagon screw	
19	275570	1	Repair kit	See group 10A
20	470234	2	• Bushing	
21	(422041)	1	• Pivot pin	
22	469169	1	• Gear	
23		1	• shaft with gear	
24	469169	1	• • Gear	
25	470234	1	• Bushing	
26	424133	1	• Washer	

TAD121CHC

REF	PART NO.	QTY	DESCRIPTION	SEE SEC.	NOTES
1	422622	1	Timing gear casing		
2	941510	1	• Pin		
3	941511	1	• Pin		
4	354671	1	Engine speed sensor		See group 3
5	925059	1	O-ring		
6	468557	1	Gasket		
7	(941572)	5	Tab washer		
8	423080	1	Gear	54144038	
9	422253	1	Woodruff key	54144038	
10	(423177)	1	Oil deflector	54144038	
11	422766	1	Bearing spindle		
12	467461	1	Idler gear		
13	467529	1	Thrust washer		
13A	467528	1	Bearing shield		
14	942180	3	Disc spring		
15	468738	3	Flange screw		
16	423079	1	Gear	54144043	
17	950588	1	Pin		
18	467055	3	Washer		
19	467052	1	Lock washer		
20	102056	3	Hexagon screw		
21	423079	1	• Gear		See group 2C
22	422047	1	Gear	54143991	
23	420183	1	Cover		
24	862591	1	Gasket		
25	940115	2	Hexagon screw		
26	942336	2	Spring washer		
27	823637	1	Cover		
28	941666	1	• Sealing ring		
29	469507	1	• Sealing ring		
30	422626	1	Gasket		
31	940162	10	Hexagon screw		
32	942336	20	Spring washer		
33	955538	2	Hexagon screw		
34	955541	2	Hexagon screw		
35	955544	6	Hexagon screw		
36	420183	1	Cover		
37	420213	1	Sealing ring		
38	940115	2	Hexagon screw		
39	942336	2	Spring washer		
40	820637	1	Gear, sea water pump		See group 2B
41	950564	1	Pin		
42	941939	4	Screw		
43	955537	1	Hexagon screw		
44	420178	1	Cover		
45	975610	1	O-ring		
46	955576	3	Hexagon screw		
47	941911	3	Spring washer		
48		1	circulation pump		See group 2B
49		1	fuel injection pump		See group 2C

7733670-21-54143982

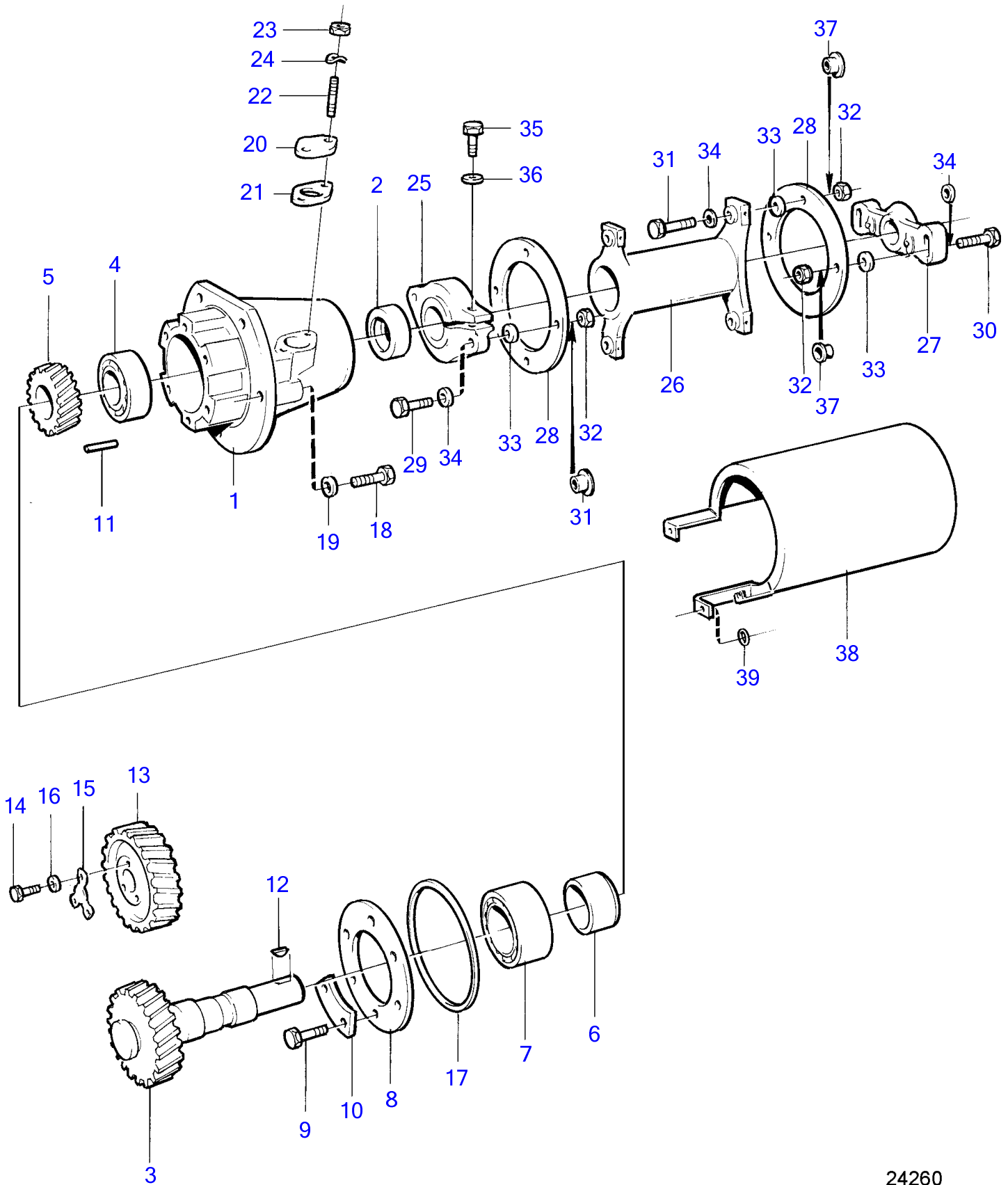
45803

Upd:8/12/2022

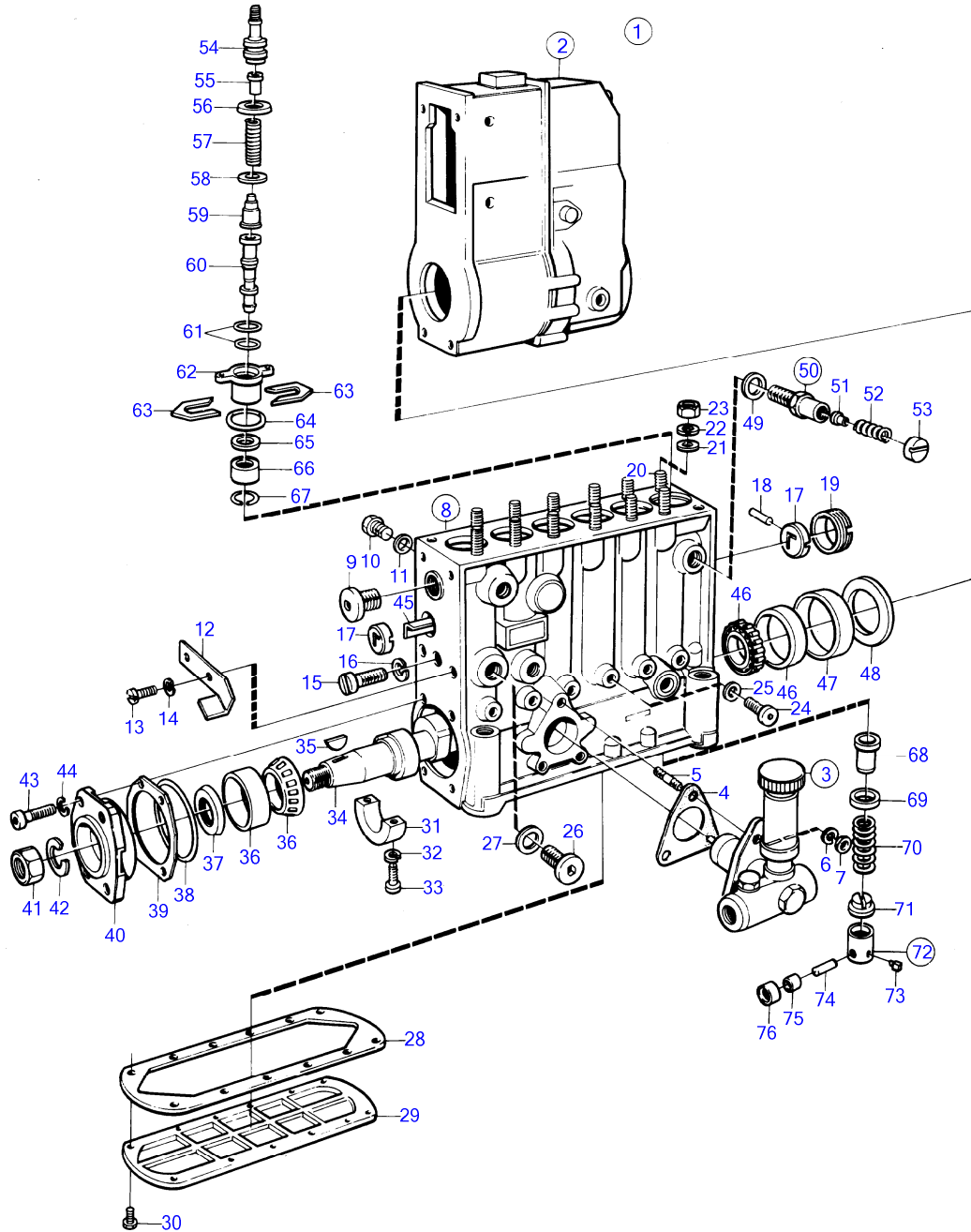
TAD121CHC, TD100CHC, TD100CRC, TD121CHC, TD121CRC

VOLVO
PENTA

TD100CRC



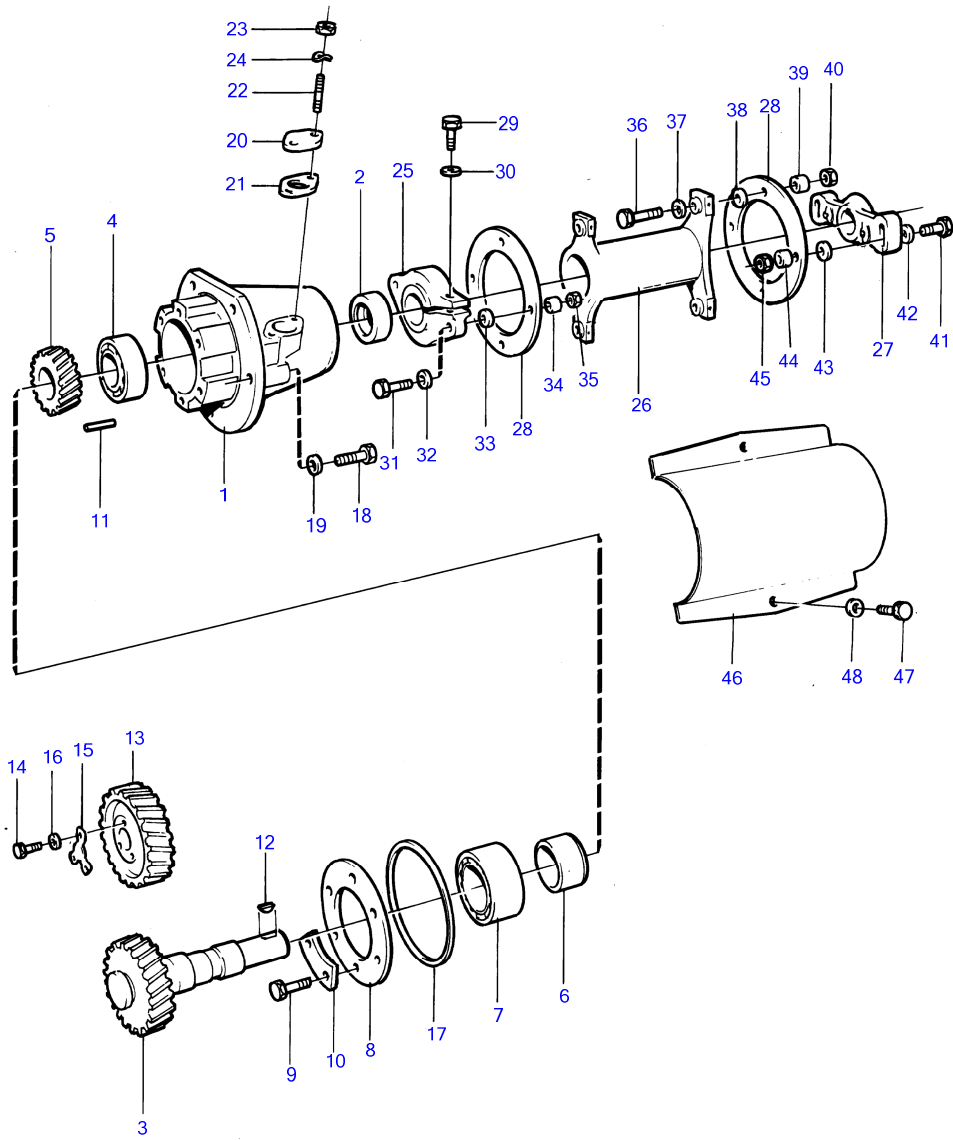
24260



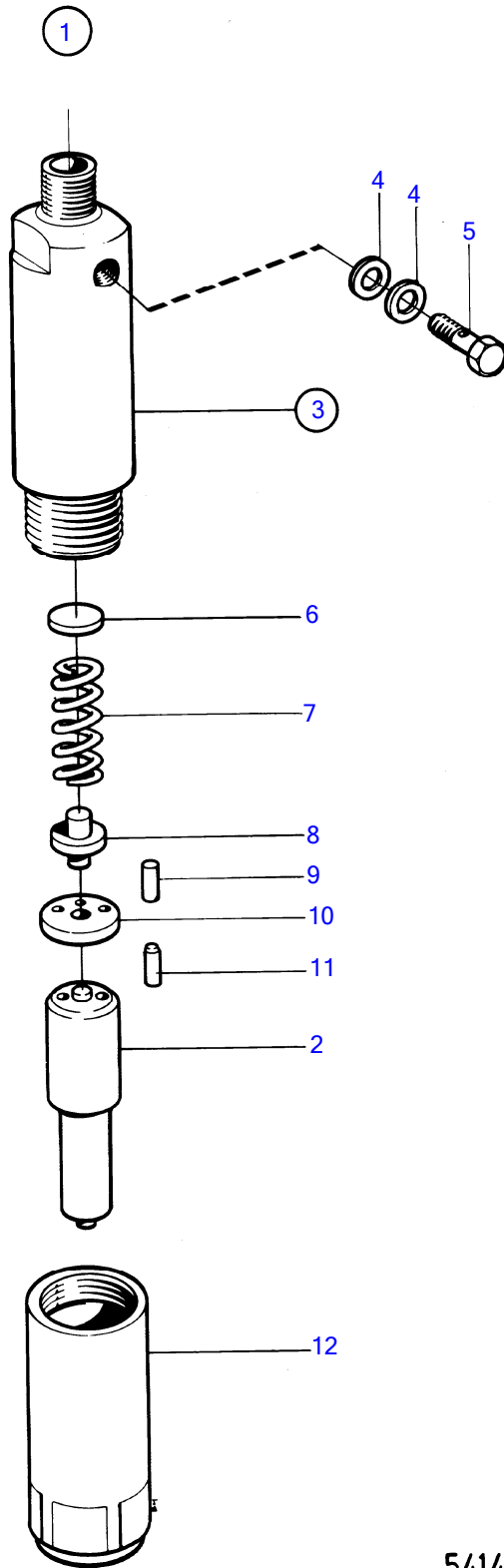
8385

REF	PART NO.	QTY	DESCRIPTION	SEE SEC.	NOTES
1	(847532)	1	Injection pump		
2	(848273)	1	• Governor	54144128	
			• •	54144128	
3	244391	1	• Feed pump	54144130	
			• •	54144130	
4	863370	1	• Gasket		
5	(130673)	3	• Stud		
6	941906	3	• Spring washer		
7	940197	3	• Hexagon nut		
8		1	• housing		
9	(844988)	1	• • Plug		
10	(240016)	1	• Lock screw		
11	240017	1	• Gasket		
12	(240121)	1	• Plug		
13	(240812)	1	• Cover		
14	240037	1	• Gasket		
15	240811	1	• Sealing ring		
16	(6638096)	4	• Screw		
17	(6642955)	1	• Lock screw		
18	947620	1	• Gasket		
19	(240907)	1	• Control rod		
20	(240014)	2	• Bushing		
21	(244699)	1	• Washer		
22	(244008)	1	• Spring pin		
23	(243263)	1	• Sealing plug		
24	240017	1	• Gasket		
25	180707	6	• Plug		
26	18836	6	• Gasket		
27	240023	1	• Roller bearing		
28	(240032)	1	• Ring		
29	(240033)	X	• Shim		TH=1.20mm
	(240034)	X	• Shim		TH=1.50mm
	(240035)	X	• Shim		TH=1.80mm
	(240036)	X	• Shim		TH=2.00mm
30	(845454)	1	• Camshaft		
31	244406	1	• Bearing		
32	(240427)	2	• Screw		
33	941906	2	• Spring washer		
34	35168	1	• Key		
35	240023	1	• Roller bearing		
36	864299	1	• Camshaft seal		
37	(240024)	X	• Shim		TH=0.10mm
	(240025)	X	• Shim		TH=0.12mm
	(240026)	X	• Shim		TH=0.14mm
	(240027)	X	• Shim		TH=0.16mm
	(240028)	X	• Shim		TH=0.18mm
	(240029)	X	• Shim		TH=0.30mm
	(240030)	X	• Shim		TH=0.50mm
38	243299	1	• O-ring		
39	(240021)	1	• Bearing cover		
40	(845239)	4	• Screw		
41	941906	4	• Spring washer		
42	955806	1	• Hexagon nut		
43	955927	1	• Spring washer		
44	(240947)	1	• Cover		
45	1698192	1	• Gasket		
46	(244732)	12	• Screw		
47	(244404)	6	• Push rod		
48	(238379)	6	• • Locating ring		
49	(846577)	6	• • Bearing		
50	(240780)	6	• • Bushing		
51	(240779)	6	• • Bearing bolt		
52	244685	6	• Spring disc		

TAD121CHC



6789



5414

TD121CHC

REF	PART NO.	QTY	DESCRIPTION	SEE SEC.	NOTES
53	468848	1	Screw		See group 2D
54	478647	1	Bracket		
55	(423161)	2	Guide sleeve		
56	417588	1	Guide sleeve		
57	955566	4	Hexagon screw		
58	940280	4	Spring washer		
59	940156	4	Hexagon screw		
60	190509	4	Washer		
61	(862790)	1	Fuel pipe		
62	862789	1	Fuel pipe		
63	26013	2	Hollow screw		
64	947624	4	Gasket		
65	25167	2	Hollow screw		
66	957178	4	Gasket		
67	470514	1	Oil pressure pipe		
68	48634	1	Hollow screw		
69	837709	1	Hollow screw		See group 2B
70	957173	2	Gasket		
71	18666	1	Gasket		
72	11994	1	Gasket		
73	(845711)	1	Fuel pipe		
74	25167	1	Hollow screw		
75	957178	2	Gasket		
76	(821625)	1	Anchorage		
77	952625	1	Clamp		
	(941492)	1	Clamp		
78	950046	2	Cross recessed screw		
79	941906	2	Spring washer		
80	955825	2	Hexagon nut		
81	845450	2	Fuel hose		
82	956969	4	Ferrule		
83	956983	4	Fitting nut		
84	(846457)	1	Reservoir		
85	846460	1	Sealing ring		
86	846458	2	Sealing ring		
87	846459	1	Cap		
88	(846461)	2	Wing screw		
89	947620	2	Gasket		
90	951665	2	E-circlip		
91	960630	1	Plug		
92	969011	1	Gasket		
93	25168	1	Banjo nipple		
94	957178	2	Gasket		
95	25167	1	Hollow screw		
96	959223	1	Hex. socket screw		L=30mm
	959227	1	Hex. socket screw		L=50mm
97	941907	2	Spring washer		
98	846183	6	Hollow screw		
99	845953	12	Gasket		
100	(847001)	1	Tube		See group 3
101	956969	1	Ferrule		
102	956983	1	Fitting nut		
103	404279	4	Clamp		
104	956095	2	Cross recessed screw		
105	941906	2	Spring washer		
106	955781	2	Hexagon nut		
107	846134	1	Delivery pipe		Jacketed fuel pipes, Cyl. no. 1 class
108	846133	1	Delivery pipe		Jacketed fuel pipes, Cyl. no. 2 class
109	846132	1	Delivery pipe		Jacketed fuel pipes, Cyl. no. 3 class
110	846131	1	Delivery pipe		Jacketed fuel pipes, Cyl. no. 4 class
111	846130	1	Delivery pipe		Jacketed fuel pipes, Cyl. no. 5 class
112	846129	1	Delivery pipe		Jacketed fuel pipes, Cyl. no. 6 class
113	846119	1	Spacer		

TAD121CHC

REF	PART NO.	QTY	DESCRIPTION	SEE SEC.	NOTES
1				54144123	
				54144123	
				54144123	
				54144123	
	846682	1	Injection pump	54144123	Power output 250 KWA / 1500, Ambac
			.	54144123	
	847768	1	Injection pump	54144123	Power output 275 KWA / 1500, Ambac
			.	54144123	
2	(845712)	1	Fuel pipe		
3	969011	2	Gasket		
4	16496	1	Hollow screw		
5	946729	2	Gasket		
6	966834	1	Hollow screw		(74034)
7	844543	1	Leak-off line		
8	946729	13	Gasket		Included in fuel injector.
9	822564	1	Leak-off line		
10	966834	1	Hollow screw		(74034)
11	74033	6	Hollow screw		Included in fuel injector.
12	847559	6	Injector	54144136	
	3803250	6	Injector	54144136	
			.	54144136	
13	470560	6	Stud		
14	469797	6	Yoke		
15	971086	6	Lock nut		
15A	942336	6	Spring washer		
16	469455	6	Sealing ring		
17	35096	1	Overflow valve		
18	969011	2	Gasket		
19	477173	1	Pressure equalizer		
20	969011	2	Gasket		
21		1	fuel injection pump	54144118	
				54144118	
22	243405	1	Fuel filter kit	54144137	
			.	54144137	
23	845319	1	Bracket		
24	940134	2	Hexagon screw		
25	941909	2	Spring washer		
26	940115	2	Hexagon screw		
27	942336	2	Spring washer		
28	960630	2	Plug		
29	844551	1	Delivery pipe		Replaced by delivery pipe kit 3875228
30	844552	1	Delivery pipe		Replaced by delivery pipe kit 3875228
31	844553	1	Delivery pipe		Replaced by delivery pipe kit 3875228
32	844554	1	Delivery pipe		Replaced by delivery pipe kit 3875228
33	844555	1	Delivery pipe		Replaced by delivery pipe kit 3875228
34	844556	1	Delivery pipe		Replaced by delivery pipe kit 3875228
35	947191	1	Clamp		
36	822546	1	Bracket		See group 2B
37	844659	2	Attaching plate		See group 2B
38	414346	10	Attaching clamp		
39	414347	10	Attaching clamp		
40	414344	2	Attaching clamp		
41	414345	2	Attaching clamp		
42	969408	12	Six point socket scr		
43	414736	1	Nut plate		
44	414735	1	Nut plate		
45	(821036)	1	Anchorage		
46	422246	1	Return pipe		
47	25167	1	Hollow screw		
48	942007	1	Hollow screw		
49	969011	3	Gasket		
50	11998	1	Gasket		

TAD121CHC

REF	PART NO.	QTY	DESCRIPTION	SEE SEC.	NOTES
1	842392	1	Housing		Replaced by 876797
	876797	1	Housing		
2	(951941)	1	• Spring pin		
3	960632	1	Plug		
4	957181	1	Gasket		
5	945749	2	Hexagon screw	54144073	
6	941907	2	Spring washer		
6A	960141	2	Washer		
7	836838	1	Spacer sleeve		
8	823498	1	Spacer sleeve		
9	1664473	1	O-ring		
10	849236	1	Insert		
11	836015	2	Gasket		
12	(843590)	1	Cap		
13	940161	10	Hexagon screw		
14	941907	10	Spring washer		
15	837481	1	Intake bend	54144069	
16	862588	1	Gasket	54144069	
17	956570	4	Hex. socket screw	54144069	
18	941907	4	Spring washer	54144069	
19	823661	1	Zinc anode		
20		1	• zinc electrode		
21	823662	1	• Plug		
22	843565	1	Pipe connection	54144104	
23	925092	4	O-ring	54144104	
24	836169	1	Gasket		
25	862589	1	Gasket	54144078	
26	843587	1	Coolant pipe		

TD121CHC

REF	PART NO.	QTY	DESCRIPTION	NOTES
1	875648	1	Water pump	
2	823484	1	• Shaft	
3	421306	1	• Wear ring	
4	1545283	1	• Sealing ring	
5	70913	1	• Deflector	
6	1660609	1	• Ball bearing	
7	(846685)	1	Flange	
8	422171	1	Gasket	
9	955524	3	Hexagon screw	
10	941907	3	Spring washer	
11	423351	1	Gasket	If gasket has been used,you should use gasket again
11A	1161231	X	Sealant	If silicone rubber has been used,use silicone rubber again
12	955536	5	Hexagon screw	
13	955542	2	Hexagon screw	
14	942336	7	Spring washer	
15	423352	1	Gasket	
16	822548	1	V-belt pulley	
17	181538	1	Ball bearing	
18	422202	1	Spacer sleeve	
19	1542870	1	Roller bearing	
20	914462	1	Snap ring	
21	836805	1	Companion flange	
22	951969	1	Spring pin	
23	1542871	1	Spacer sleeve	
24	940159	4	Hexagon screw	
25	941907	4	Spring washer	
26	822567	1	Intermediate lever	
27	822551	1	V-belt pulley	
28	1544092	1	Ball bearing	
29	914533	1	Snap ring	
30	914462	1	Snap ring	
31	953353	1	Stud	
32	941911	1	Spring washer	
33	955828	1	Hexagon nut	
34	420416	1	Protecting plate	
35	837702	1	Drive outlet	
36	837703	1	• Bearing housing	
37	837704	1	• Gear	
38	837705	1	• Deflector	
39	837706	1	• Spacer sleeve	
40	183731	2	• Ball bearing	
41	958856	1	• Sealing ring	
42	909867	1	• Flat key	
43	837707	1	• Hub	
44	190418	1	• O-ring	
45	947170	1	• Gasket	
46	837708	1	• Washer	
47	949399	1	• Lock nut	
48	842769	1	Pulley	
49	955534	4	Hexagon screw	
50	942336	4	Spring washer	
51	953280	2	Stud	L=120mm
	953257	1	Stud	L=35mm
52	942336	3	Spring washer	
53	955827	3	Hexagon nut	
54	949660	1	O-ring	
55	844625	1	Hollow screw	
56	947620	2	Gasket	
57	837711	1	Tube	
58	837709	1	Hollow screw	
59	11994	1	Gasket	
60	952077	1	Plug	
61	966959	1	V-belt	

7733670-26-54144059

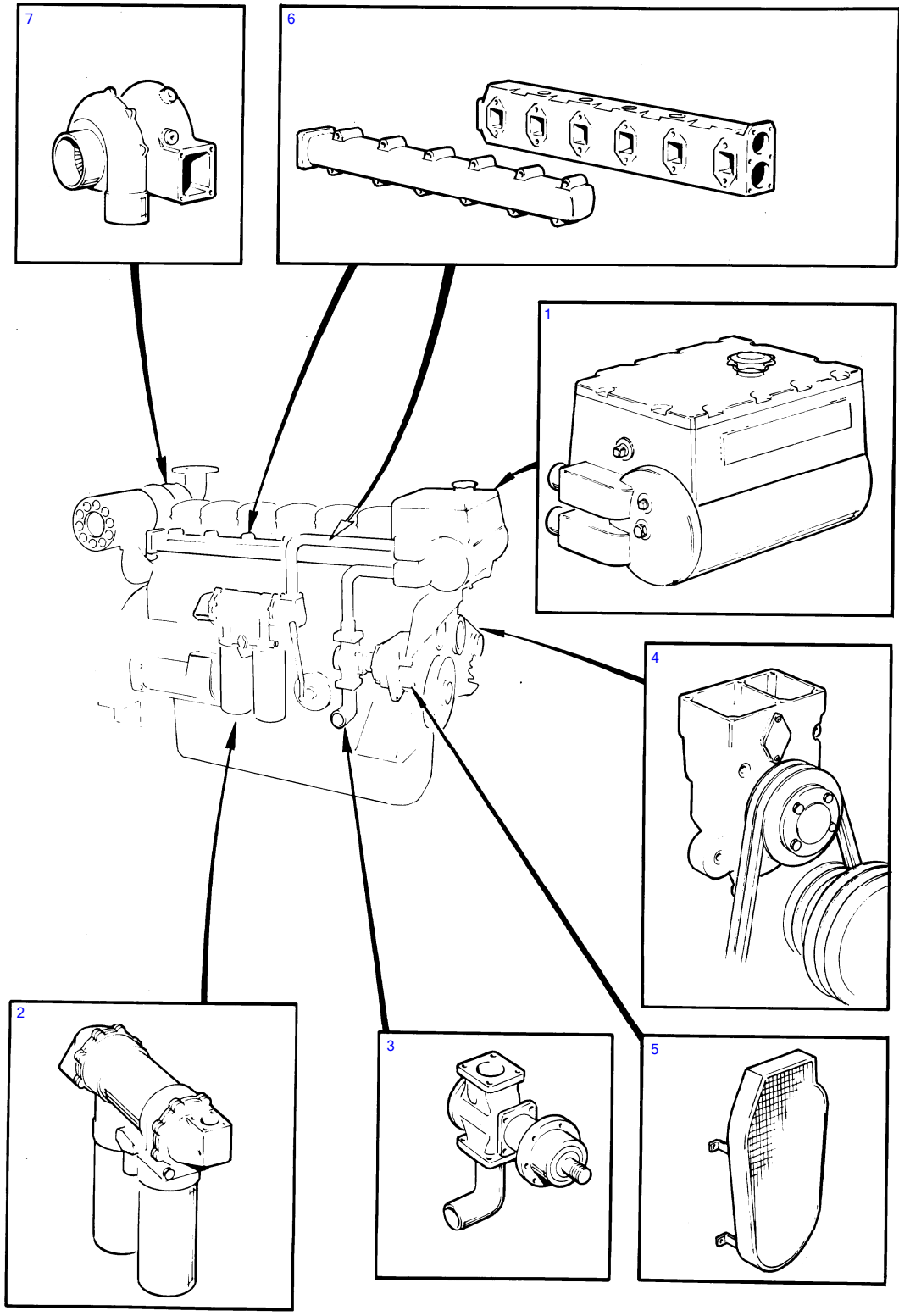
45765

Upd:8/12/2022

TAD121CHC, TD100CHC, TD100CRC, TD121CHC, TD121CRC

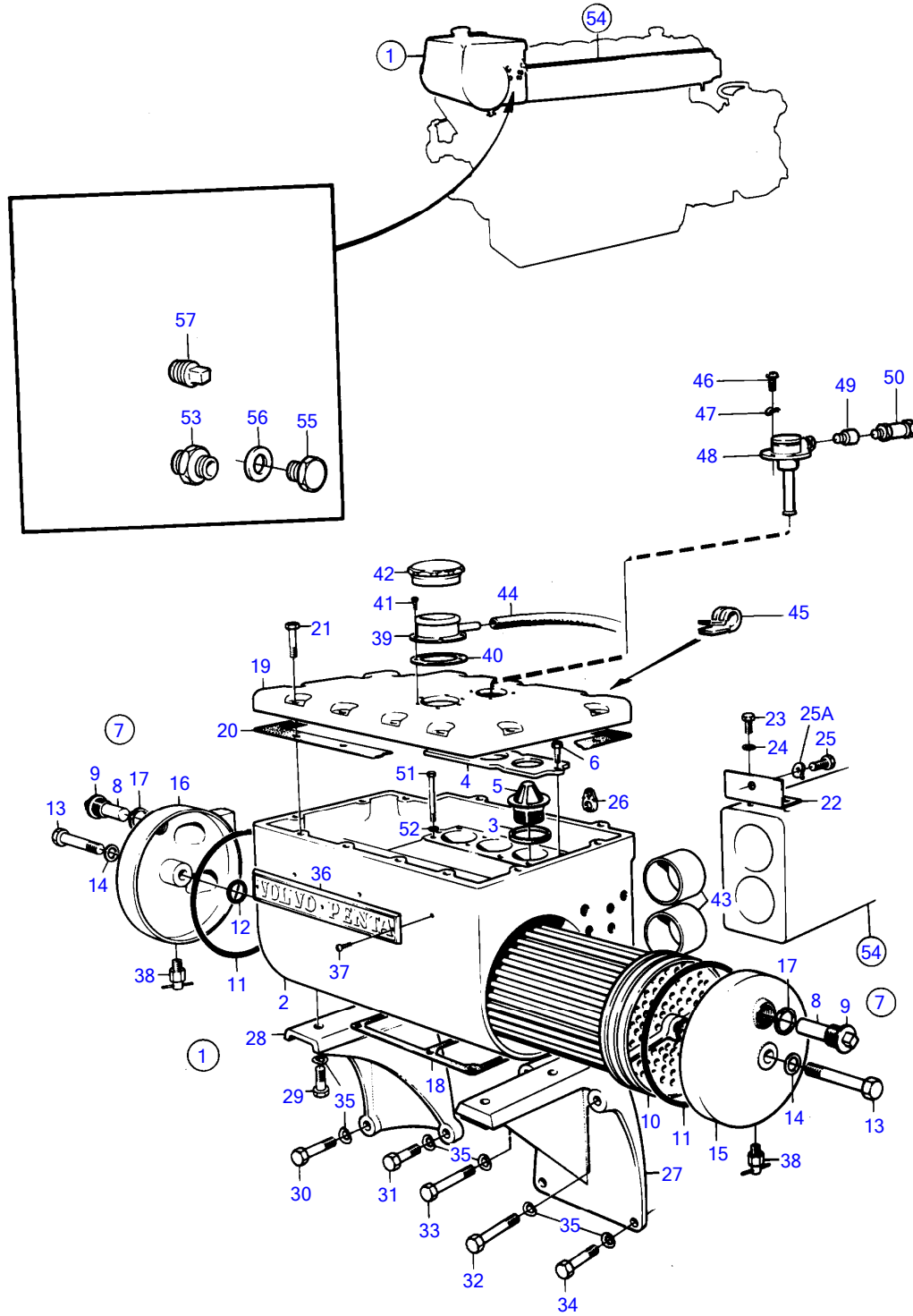


TD121CHC



6859

TD100CHC



6648

CLICK HERE TO **DOWNLOAD** THE COMPLETE MANUAL

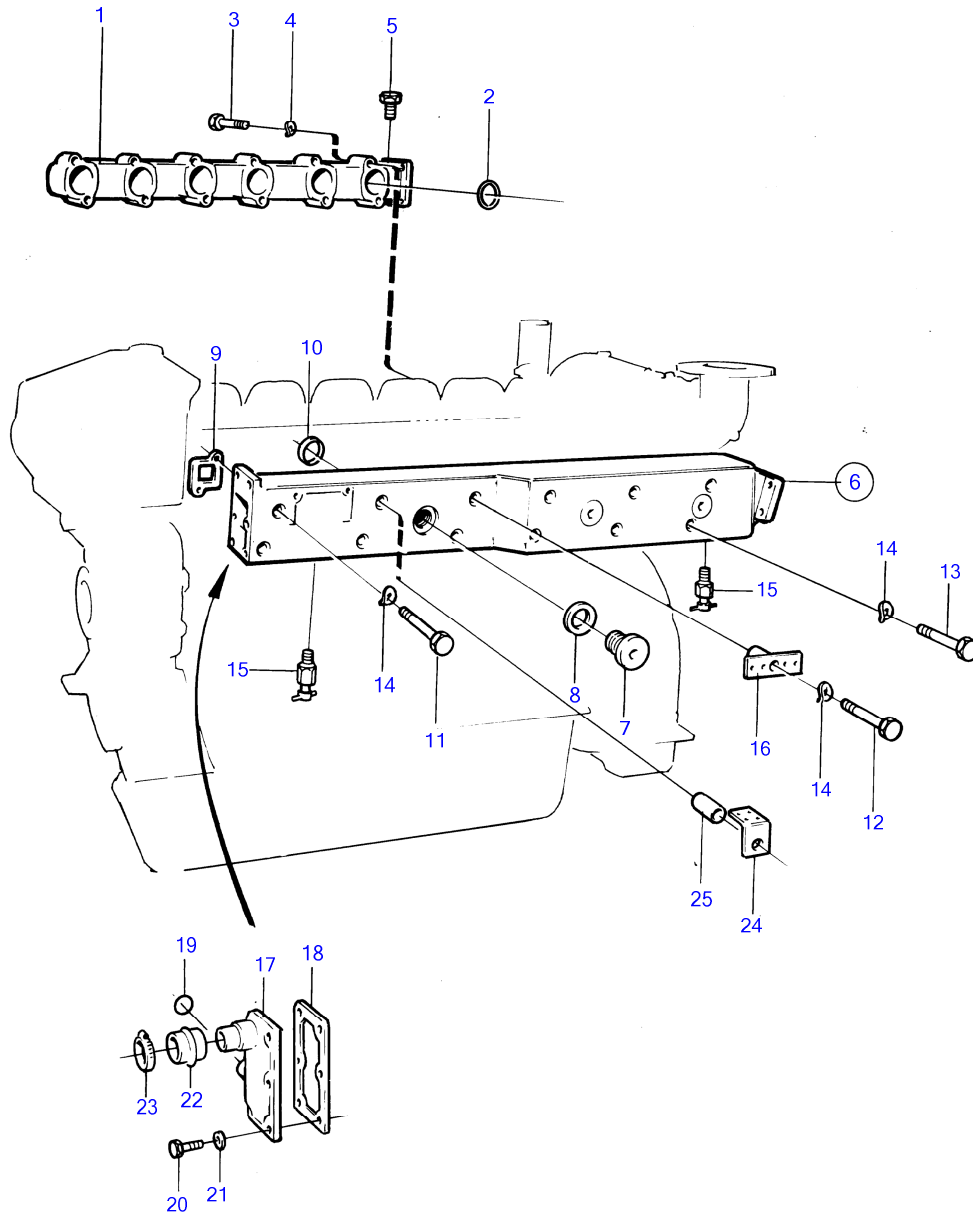
- Thank you very much for reading the preview of the manual.
- You can download the complete manual from: www.heydownloads.com by clicking the link below



- Please note: If there is no response to CLICKING the link, please download this PDF first and then click on it.

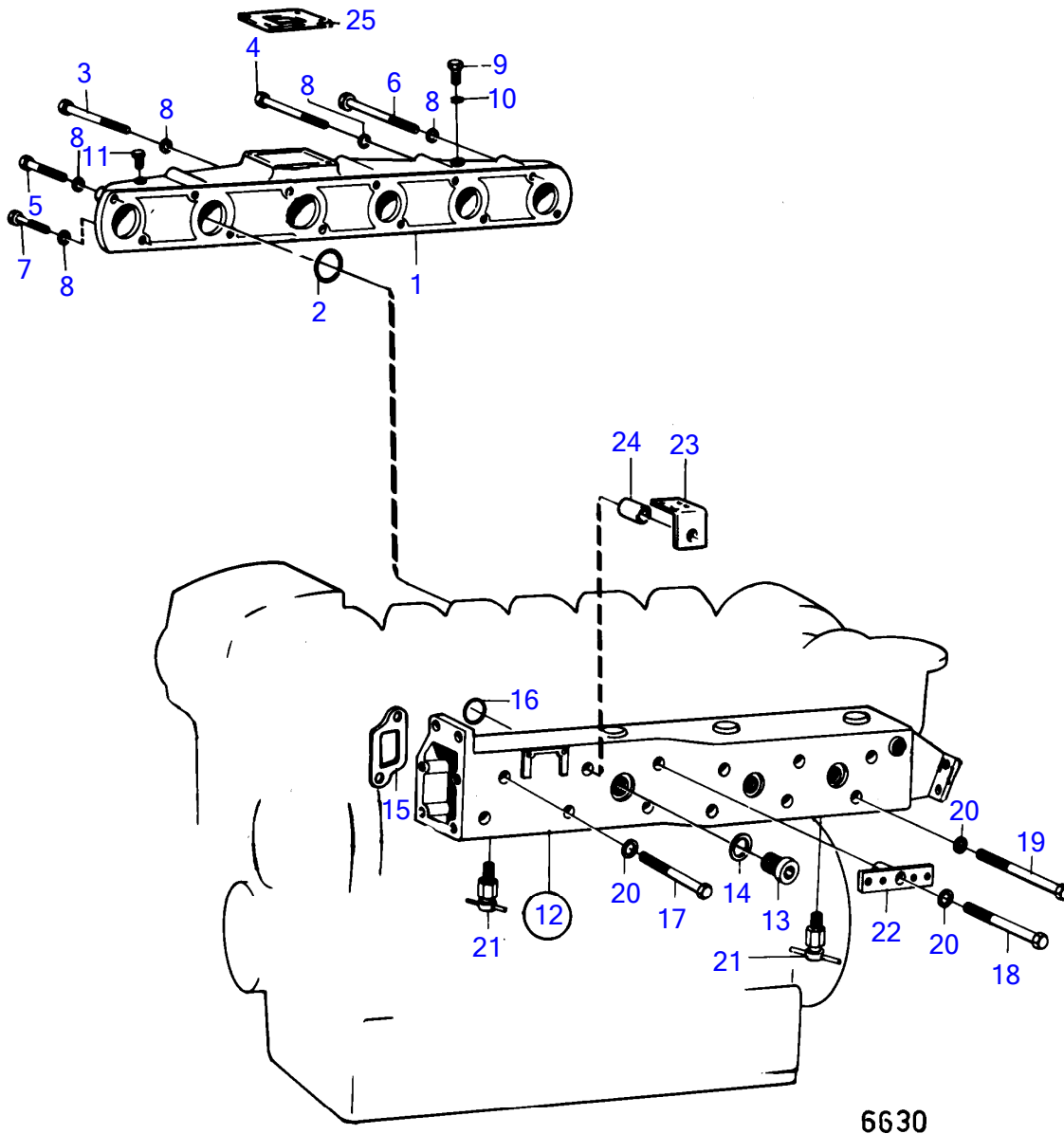
CLICK HERE TO **DOWNLOAD** THE COMPLETE MANUAL

TD121CHC



6760

TAD121CHC



TD121CRC

REF	PART NO.	QTY	DESCRIPTION	SEE SEC.	NOTES
1	846241	1	Turbocharger	54144089	
	3802018	1	Turbocharger	54144089	
			•	54144089	
			• components not spec.	54144089	
2	945851	4	Stud		
3	191894	4	Hexagon nut		
4	942336	4	Spring washer		
4A	940097	4	Washer		
5	848141	1	Coolant pipe		
6	848142	1	Coolant pipe		
7	949918	2	Shut-off cock		
8	831622	4	Sealing ring		
9	847492	4	Nipple		
10	947628	4	Gasket		
11	955271	8	Hexagon screw		
12	941906	8	Spring washer		
13	822572	1	Oil pipe		
14	940115	2	Hexagon screw		
15	942336	2	Spring washer		
16	468629	1	Elbow nipple		
17	466328	1	Hose		
18	994559	2	Hose clamp		
19	822571	1	Oil pressure pipe		
20	942007	1	Hollow screw		
21	942703	1	Gasket		
22	11998	1	Gasket		
23	820851	2	Clamp		
24	955512	1	Hexagon screw		
25	941906	1	Spring washer		
26	956584	1	Hex. socket screw		
27	956585	1	Hex. socket screw		
28	942336	2	Spring washer		
29	822625	1	Bracket		
30	842423	1	Exhaust pipe elbow		
31	424626	1	Gasket		
32	953259	6	Stud		
33	191894	6	Hexagon nut		
34	942336	6	Spring washer		
35	836887	1	Weld flange		
36	862593	2	Gasket		
37	955592	16	Hexagon screw		
38	955829	16	Hexagon nut		
39	941912	16	Spring washer		
40	914392	2	Plug		
40A	947626	2	Gasket		
41	836880	1	Exhaust hose		L=590mm
42		1	induction and exhaust manifold with installation components	54144073	
43	(823704)	1	Pipe		
44	424619	1	Gasket		
45	956570	4	Hex. socket screw		
46	941907	4	Spring washer		
47	470327	1	Hose		
48	1544731	2	Hose clamp		
49	1543360	1	Gasket		
50	470939	1	Gasket		
51	420641	1	Plane gasket		
52	823369	1	Plug		See group 2A
53	469328	1	Gasket		See group 2A
54	955588	2	Hexagon screw		
55	941912	2	Spring washer		
56	821028	2	Tensioning band		
57	31404	2	Clevis pin		

TD100CRC

REF	PART NO.	QTY	DESCRIPTION	SEE SEC.	NOTES
1	(836821)	1	Oil cooler		
2	(822212)	1	• Housing		
3	864215	1	• Insert		
4	(823803)	2	• End cover		
5	942384	16	• Hexagon screw		
6	955825	16	• Hexagon nut		
7	925027	2	• O-ring		
8	82744	1	• Shut-off cock		
9	180759	2	• Plug		
10	823802	2	• Clamping ring		
11	821058	1	Bracket		
12	821061	1	Bracket		
13	955544	2	Hexagon screw		L=102mm
	940115	2	Hexagon screw		L=25mm
14	942336	4	Spring washer		
15	191929	2	Hollow screw		
16	947627	4	Gasket		
17	(849027)	1	Oil pipe		See group 2A
18	942421	2	Clamp		
19	(821075)	1	Anchorage		
20	(821076)	1	Anchorage		
21	955513	2	Hexagon screw		
22	955825	2	Hexagon nut		
23	941906	2	Spring washer		
24	(820639)	1	Coolant pipe	54144079	
25	952980	X	Hose		L=130mm
26	961673	4	Hose clamp		

TD121CRC

REF	PART NO.	QTY	DESCRIPTION	SEE SEC.	NOTES
1A	(836279)	1	Radiator		Spec VERSION 45 CG
2	960630	1	Plug		
3	957178	1	Gasket		
5	833720	2	Rubber cushion		
6	807228	2	Sleeve		
7	955850	4	Hexagon nut		
7A	955898	2	Washer		
8	940280	4	Spring washer		
9	824474	1	Rubber cap		
10	943480	1	Hose clamp		
11	836106	1	Hose		
12	943480	2	Hose clamp		
13	952980	X	Hose		L=290mm
14	943480	2	Hose clamp		
15	822344	1	Upper section	54144061	
16	(960888)	2	Nipple		
17	957177	2	Gasket		
18	(820639)	1	Coolant pipe	54144102	
19	952980	X	Hose		L=130mm
20	952980	X	Hose		L=130mm
21	943480	4	Hose clamp		
22	(423137)	1	Pipe elbow	54144061	
23	941845	1	Nipple		
24	955536	1	Hexagon screw		
25	942336	1	Spring washer		
26	944386	X	Rubber hose		L=1000mm
27	994560	2	Hose clamp		
28	836199	1	Expansion tank		
29	947660	1	Plug		
30	957175	1	Gasket		
31	(339958)	2	Tensioning band		
32	31406	2	Hexagon screw		
33	31404	2	Clevis pin		
34	31405	2	Dowel		
35	350578	1	Pressure cap		
36	192618	X	Hose		L=2000mm
37	836267	1	Banjo nipple		
38	957178	1	Gasket		
40	944153	1	Hollow screw		
41	13776	X	Hose		L=620mm
42	994556	6	Hose clamp		
43	18387	2	Clamp		
44	13776	X	Hose		L=620mm
45	13776	X	Hose		L=620mm
46	419446	1	Connector		
47	(836039)	1	Fan		Suction type, D=720mm
	(836045)	1	Fan		Pusher type, D=720mm
48	955535	6	Hexagon screw		L=32mm
49	940097	6	Washer		
50	(824349)	1	Fan guard		
51	(836007)	1	Belt protector		
52	955513	2	Hexagon screw		L=19mm
53	955893	2	Washer		
54	950352	2	Lock nut		
55	(836282)	1	Fan shroud		Alt for 45 CG
56	(836046)	2	Sealing strip		
57	955270	14	Hexagon screw		L=14mm
58	941906	14	Spring washer		
59	955893	14	Washer		
60	(836055)	1	Sealing cloth		
61	(837393)	1	Radiator member		For 45CG, Right, L=1305mm
62	(837394)	1	Radiator member		For 45CG, Left
63	(837395)	1	Cross stay		For 45CG, L=1042mm

7733670-26-54144082

45767

Upd:8/12/2022

TAD121CHC, TD100CHC, TD100CRC, TD121CHC, TD121CRC

VOLVO
PENTA

REF	PART NO.	QTY	DESCRIPTION	NOTES
1	846354	1	Seawater pump	
2		1	• pump housing	
3	847228	1	• Cover	
4	825728	1	• Gasket	Included in impeller kit
5	847229	5	• Screw	Included in repair kit
6	812966	1	• Spline seal	Included in impeller kit
7		1	• impeller	Included in impeller kit
8	812959	1	• Wear washer	Included in repair kit
9	(827013)	1	• Cam	
10	(825730)	1	• Screw	
11	812968	1	• Sealing ring	
12	845969	1	• Bearing housing	
13	940135	4	• Hexagon screw	
14	941907	4	• Spring washer	
15	812964	1	• Deflector ring	Included in repair kit
16	847230	2	• Lock ring	Included in repair kit
17	11013	2	• Ball bearing	Included in repair kit
18	825735	1	• Lock ring	Included in repair kit
19	825978	1	• Pump shaft	
20	845795	1	• Sealing ring	Included in repair kit
	875736	1	Impeller kit	See group 10A
	875737	1	Overhaul kit	See group 10A

TD100CRC

REF	PART NO.	QTY	DESCRIPTION	SEE SEC.	NOTES
1	422311	1	Coolant pump		
2	422148	1	• Coolant pump shaft		
3	421306	1	• Wear ring		
4	1545283	1	• Sealing ring		
5	70913	1	• Deflector		
6	1660609	1	• Ball bearing		
7	423127	1	Gasket		If gasket has been used,you should use gasket again
	1161231	X	Sealant		If silicone rubber has been used,use silicone rubber again
8	955542	6	Hexagon screw		
9	940162	2	Hexagon screw		
10	942336	8	Spring washer		
11	(837185)	1	Thermostat housing		
12	952077	4	Plug		
13		1	pulley		See group 2A
14	966395	1	V-belt		
15	862596	1	Gasket		
16	875788	3	Thermostat kit		
17	416033	3	Sealing ring		
18	422552	1	Cover		
19	191652	6	Hexagon screw		
20	942336	6	Spring washer		
21	846923	2	Sealing ring	54144065	
22	846739	1	Anchorage		
23	940115	2	Hexagon screw		
24	940097	2	Washer		
25	955560	1	Hexagon screw		
26	423125	1	V-belt pulley		
27	181538	1	Ball bearing		
28	422202	1	Spacer sleeve		
29	11013	1	Ball bearing		
30	914462	1	Snap ring		
31	422499	1	V-belt pulley		
32	422493	1	Hub		
33	951969	1	Spring pin		
34	940186	4	Hexagon screw		
35	941907	4	Spring washer		
36	(422628)	1	Intermediate lever		
37	465328	1	V-belt pulley		
38	1544092	1	Ball bearing		
39	914533	1	Snap ring		
40	914462	1	Snap ring		
41	(953583)	1	Stud		
42	941911	1	Spring washer		
43	955828	1	Hexagon nut		
44	420416	1	Protecting plate		
45	(423137)	1	Pipe elbow, pipe bend	54144080	
				54144080	
46	423138	1	Gasket		
47	955540	1	Hexagon screw		L=70mm
	955537	1	Hexagon screw		L=51mm
48	942336	2	Spring washer		
	876434	1	Overhaul kit, circulation pump		

TD100CHC

REF	PART NO.	QTY	DESCRIPTION	NOTES
1	(843794)	1	Engine	When reconditioning or when the carbons are to be replaced, use carbon brush kit 876001
			• components	
2	843795	1	Retainer	
3	843796	1	Nut	
4	843797	1	Adapter ring	
5	843798	1	Dog	
6	955781	2	Hexagon nut	
7	941909	1	Spring washer	
8	843799	1	Adjusting screw	
9	945647	1	Set screw	
10	(843802)	1	Sleeve	
11	813945	1	Spring	
12	843803	1	Piston	
13	843804	1	Bushing	
14	843805	2	Control button	
15	940090	1	Washer	
15A	907824	1	Split pin	
16	951667	1	E-circlip	
17	843806	1	Bushing	
18	955780	1	Hexagon nut	
19	843807	1	Bracket	
20	955269	4	Hexagon screw	
21	941906	4	Spring washer	
22	843808	1	Intermediate lever	
23	955273	2	Hexagon screw	
24	955781	1	Hexagon nut	
25	941906	2	Spring washer	
26	843809	1	Attaching plate	
27	955269	1	Hexagon screw	
28	941906	1	Spring washer	
29	955274	3	Hexagon screw	
30	844540	1	Screw	
31	941906	4	Spring washer	
32	843889	1	Cover	
33	(843890)	1	Gasket	
34	955271	4	Hexagon screw	
35	881191	1	Grommet	
	(876001)	1	Carbon brush set	

TD121CRC

REF	PART NO.	QTY	DESCRIPTION	NOTES
1	846377	1	Actuator	
2	846426	1	Intermediate lever	
3	(955637)	1	Hexagon screw	
4	846580	1	Switch	
5	863618	1	Impulse sensor	
6	846717	1	Bushing	
7	863617	1	Control unit	
8	881532	1	Magnet	24V
8A	843401	1	Return spring	
9	846422	1	Bracket	
10	(846423)	1	Pull link	
10A	955857	1	Hexagon nut	
11	846424	1	Spacer sleeve	L=64mm
12	846425	1	Spacer sleeve	L=30mm
12A	(961170)	2	Washer	
13	955542	1	Hexagon screw	
14	955537	1	Hexagon screw	
15	942336	2	Spring washer	
16	907824	1	Split pin	
17	955270	4	Hexagon screw	
18	955781	4	Hexagon nut	
19	941906	4	Spring washer	
20	881191	1	Grommet	
21	354671	1	Engine speed sensor	See group 3
22	925059	1	O-ring	

TD121CHC

REF	PART NO.	QTY	DESCRIPTION	NOTES
1		1	regulator	
2	834681	2	Link end	
3	834667	1	Adjusting screw	
4	834668	1	Bellows	
5	(837698)	1	Bracket	
6	(842771)	1	Cap	
7	(842772)	1	Housing	
8	842945	1	Sealing ring	
9	940100	2	Hexagon screw	
10	941906	2	Spring washer	
11	955247	3	Hexagon screw	
12	941905	3	Spring washer	
13	(948926)	1	Control rod	
14	955780	2	Hexagon nut	
15	963104	1	Lock nut	
16	841035	1	Spacer sleeve	
17	940188	1	Hexagon screw	
18	942001	8	Hex. socket screw	
19	(240033)	X	Shim	TH=1.2mm
	(240034)	X	Shim	TH=1,5mm
	(240035)	X	Shim	TH=1,8mm
	(240036)	X	Shim	TH=2,0mm
20	240058	1	Gasket	

TD121CRC

REF	PART NO.	QTY	DESCRIPTION	NOTES
1	(845010)	1	Attaching plate	
2	955270	2	Hexagon screw	
3	941906	2	Spring washer	
4	846654	1	Cube	
5	(88333)	1	Compression spring	
6	26694	1	Ball	
7	941907	2	Spring washer	
8	955964	2	Snap ring	
9	846657	1	Control rod	
10		1	arm	See group 2C
11	846656	1	Control arm	
12	955272	1	Hexagon screw	
13	(822488)	1	Control sleeve	
14	(836791)	1	Compression spring	
15	846655	1	Piston	
16	941907	1	Spring washer	
17	955964	2	Snap ring	

TD121CHC

REF	PART NO.	QTY	DESCRIPTION	NOTES
1	881532	1	Magnet	24V
2	822649	1	Bracket	
3	955535	1	Hexagon screw	
4	942336	2	Spring washer	
5	845444	1	Pull rod	
6	955857	1	Hexagon nut	
7	822779	1	Spacer sleeve	
8	955541	1	Hexagon screw	
9	940100	4	Hexagon screw	
10	955825	4	Hexagon nut	
11	941906	4	Spring washer	
12	848677	1	Intermediate lever	See group 2C
13	907824	1	Split pin	
14	820506	1	Spacer sleeve	
15	468848	1	Screw	See group 2C
16	881191	1	Grommet	
17	843401	1	Return spring	

TAD121CHC

REF	PART NO.	QTY	DESCRIPTION	SEE SEC.	NOTES
1	(843686)	1	Housing		
2	(844039)	1	Cap		
3	(844041)	1	Gasket		
4	(843687)	1	Cover		
5	(843690)	1	Gasket		
6	955272	8	Hexagon screw		
7	941906	8	Spring washer		
8	(844126)	1	Bracket		
9	940162	2	Hexagon screw		
10	942336	2	Spring washer		
11	955295	1	Hexagon screw		
12	959220	1	Hex. socket screw		L=20mm
	959222	1	Hex. socket screw		L=25mm
13	941907	3	Spring washer		
14	827150	1	Sensor		
15	843769	1	Thermo monitor		Stop
16	843767	1	Thermo monitor		Alarm
17	957179	2	Gasket		
18	843288	2	Sleeve		
19	956063	3	Cross recessed screw		
20	(844128)	1	Tube		
21	25167	4	Hollow screw		
22	957178	8	Gasket		
23	844127	1	Nipple		
24	844129	1	Tube		
25	(843689)	1	Nipple		
26	(957183)	1	Gasket		
27	844127	1	Nipple		
28	942542	1	Clamp		
29	881191	1	Grommet		
30	881193	1	Grommet		
31	846622	1	Flow monitor		
32	846632	1	Nipple		
33	969011	1	Gasket		
34	844127	1	Nipple		
35	822327	1	Grommet		
36	952630	5	Clamp		D=17.5mm
	952633	3	Clamp		D=22.2mm
	952637	2	Clamp		D=25.4mm
	952641	5	Clamp		D=34.9mm
37		X	cables	54144167	Acc. to classification.
			.	54144167	

TD100CHC

REF	PART NO.	QTY	DESCRIPTION	SEE SEC.	NOTES
1	843536	1	Box		
2	(843562)	1	Attaching plate		
3	940159	3	Hexagon screw		
4	941907	3	Spring washer		
5	821539	3	Spacer sleeve		
6	845513	4	Vibration damper		
7	955782	8	Hexagon nut		
8	941907	8	Spring washer		
9	955295	4	Hexagon screw		
10	(843094)	2	Pipe flange		
11	843578	2	Gasket		
12	956093	8	Cross recessed screw		
13	881193	2	Grommet		
14	822327	2	Grommet		
15	843903	X	Plug		
16	(843577)	1	Pipe flange		
17	(843579)	1	Gasket		
18	(956114)	4	Cross recessed screw		
19	955782	4	Hexagon nut		
20	941907	4	Spring washer		
21	955781	8	Hexagon nut		
22	941906	8	Spring washer		
23	(924045)	6	Stud		
24	(962673)	6	Washer		
25	(843375)	1	Circuit board		
26	963104	6	Lock nut		
27	(962673)	6	Washer		
28	(845463)	1	Damping element		
29	1504951	16	Relay		
30	842987	1	Voltage monitor		
31	843910	1	Speed sensor		
32	944077	4	Housing		
33		X	cables	54144167	Acc. to classification.
			.	54144167	
34	846819	1	Bracket		
35	940133	2	Hexagon screw		
36	942336	2	Spring washer		
37	955562	1	Hexagon screw		
38	940280	1	Spring washer		
39	823196	1	Spacer sleeve		
40	(846912)	1	Bracket		
41	955524	1	Hexagon screw		
42	941907	1	Spring washer		
43	955826	1	Hexagon nut		

TD121CHC

REF	PART NO.	QTY	DESCRIPTION	SEE SEC.	NOTES
1	847308	1	Starter motor	54144203	24V
			.	54144203	
2		1	starter cover with installation components	54144178	
3		1	oil and fuel supervision with installation components	54144183	
4		1	coolant monitor with installation components	54144188	
5		1	electrical box with installation components	54144194	
6		1	emergency stop	54144199	
7		1	stop solenoid with installation components		See group 2D
8	942336	3	Spring washer		
9	955827	3	Hexagon nut		
10	863777	1	Level guard		See group 2B
11	843102	1	Box		
12	843103	1	Attaching plate		
13	354671	1	Engine speed sensor		
14	925059	1	O-ring		
15	956059	4	Cross recessed screw		
16	941904	4	Spring washer		
17	822327	1	Grommet		
18	880243	1	Nut		
19		X	cables	54144167	Acc. to classification.
				54144167	
20	953486	3	Stud		
21			cable holders		
22	955271	1	Hexagon screw		
23	955272	1	Hexagon screw		
24	941906	3	Spring washer		
25	955781	2	Hexagon nut		
26	940133	1	Hexagon screw		
27	942336	1	Spring washer		
28	(959789)	1	Hexagon screw		
29	(844375)	1	Spacer sleeve		
30	952628	X	Clamp		
	952631	X	Clamp		
31	956092	X	Cross recessed screw		
32	941906	X	Spring washer		
33	955781	X	Hexagon nut		
34	(823409)	1	Tachometer		
35	(827149)	1	Thermometer		
36	(813864)	1	Instrument		
37	(844957)	1	Hour recorder		

TAD121CHC, TD100CHC, TD100CRC, TD121CHC, TD121CRC

REF	PART NO.	QTY	DESCRIPTION	NOTES
1	959046	X	Housing	
2	(855281)	X	Protecting sleeve, rubber cap	(841234)
				D=16mm D=14mm
	829200	X	Protective cap	D=16mm D=6mm
	76614	X	Protective cap	
3	673580	X	Terminal cover	
4	941269	X	Plug	D=25mm
	821053	X	Protecting bushing	D=35mm
5	(823759)	X	Rubber bushing	
6	(1576005)	X	Rubber cover	
	(1573077)	X	Casing	
7	(831966)	X	Protective cap	L=88mm b=32,5mm
8	(844278)	X	Insulation	Black, for (844280)
	(844279)	X	Insulation	Red, for (844280)
9	847005	X	Sealing collar	L=4,6mm D=3,0mm
10	847005	X	Sealing collar	L=100mm D=20mm
11		X	Housing	1-way., For958208
12	947848	X	Housing, receptacle housing	1-way., L=20mm
				H=5,5mm B=7,8mm
	(949181)	X	Receptacle housing, receptacle housing	1-way., L=24mm
				H=7mm B=10,2mm
	958208	X	Housing, receptacle housing	1-way., For958207
				L=24mm H=6,6mm b=
	949597	X	Housing	1-way., L=24,5mm
				H=4,9mm b=8,8mm
	943511	X	Housing, protecting sleeve	1-way., L=24mm
				H=6,5mm B=10mm
13	1578937	X	Housing	2-way
14	958210	X	Housing	2-way
15	945469	X	Housing	3-way., L=23mm
	(963374)	X	Housing, receptacle housing	3-way., L=24mm
				For881485
16	(948854)	X	Receptacle housing	3-way.
17	1214948	X	Housing	5-way.
18	948856	X	Housing	(958213)
19	958212	X	Housing	4-way.
20	(941104)	X	Housing	8-way.
21	(941105)	X	Housing	8-way.
22	945830	X	Socket housing	11-way.
23	945831	X	Tab housing	11-way.
24	944077	X	Housing	8-way.
	948294	X	Housing, insulator	9-pol
				Incl.in 853032
25	948995	X	Housing	2-way.
26	846615	X	Sealing ring	
27	846612	X	Housing	16-way
28	846613	X	Unloading cable	
29	846647	X	Block	16-way
30	846613	X	Unloading cable	
31	1608765	X	Insulator	For 965824
32	1608766	X	Seal	For 1608765
33	1598753	X	Insulator	For 949371
34	1307048	X	Housing	
35	1307049	X	Housing	
36	846611	X	Housing	
37	(853498)		Anode kit, insulator	3-pol
				Incl.in 853032

7733670-30-54144168

44195

Upd:8/12/2022

TAD121CHC, TD100CHC, TD100CRC, TD121CHC, TD121CRC

VOLVO
PENTA

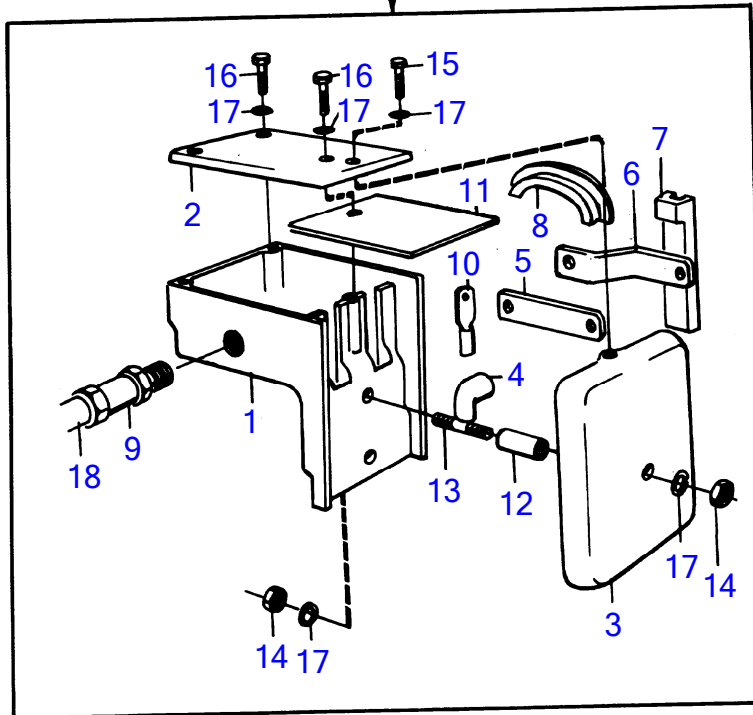
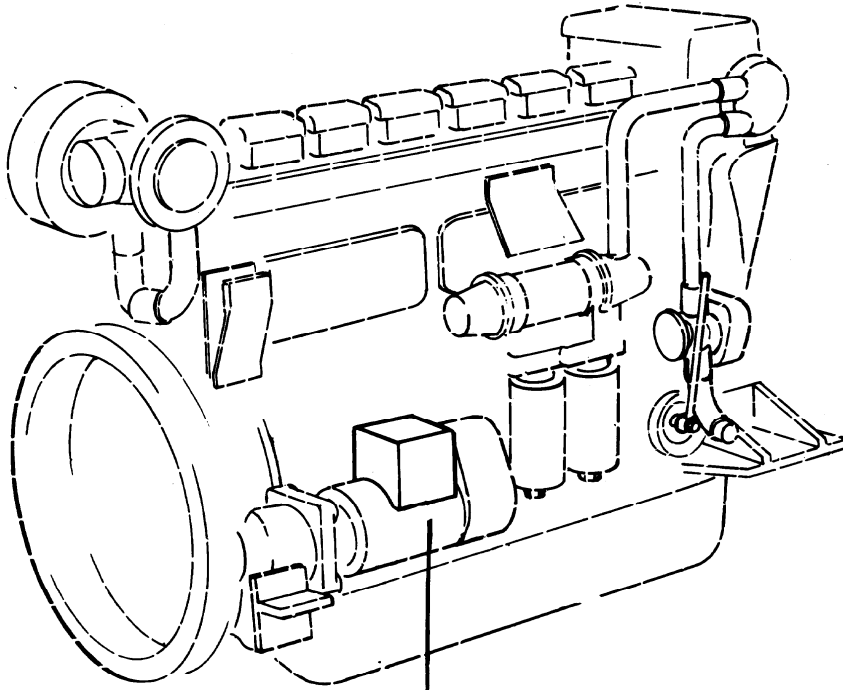
TAD121CHC

REF	PART NO.	QTY	DESCRIPTION	SEE SEC.	NOTES
1	(848090)	1	Shutter housing		
2		1	• housing		
3		1	• shutter		
4	925053	1	• O-ring		
5	941905	2	Spring washer		
6	(842893)	1	Cap		
7	959190	4	Hex. socket screw		
8	941905	4	Spring washer		
9	843696	1	Cap		
10	(843697)	1	Gasket		
11	842899	1	Spacer sleeve		
12	(897841)	1	Tension spring		
13	842903	1	Handle		
14	850200	1	Toggle switch		
15	844574	1	Spring		
16	951938	2	Spring pin		
17		X	cables		Acc. to classification.
18		X	cable terminals	54144167	
19	(847952)	1	Stop solenoid		
19A	(848088)	1	Brace		
20	942001	2	Hex. socket screw		
21	941906	2	Spring washer		
22	842900	1	Compression spring		
23	847918	1	Stop device		
24	847917	1	Inhibitor plunger		
25	844576	1	Grommet		
26	941460	2	Hex. socket screw		

TD121CHC

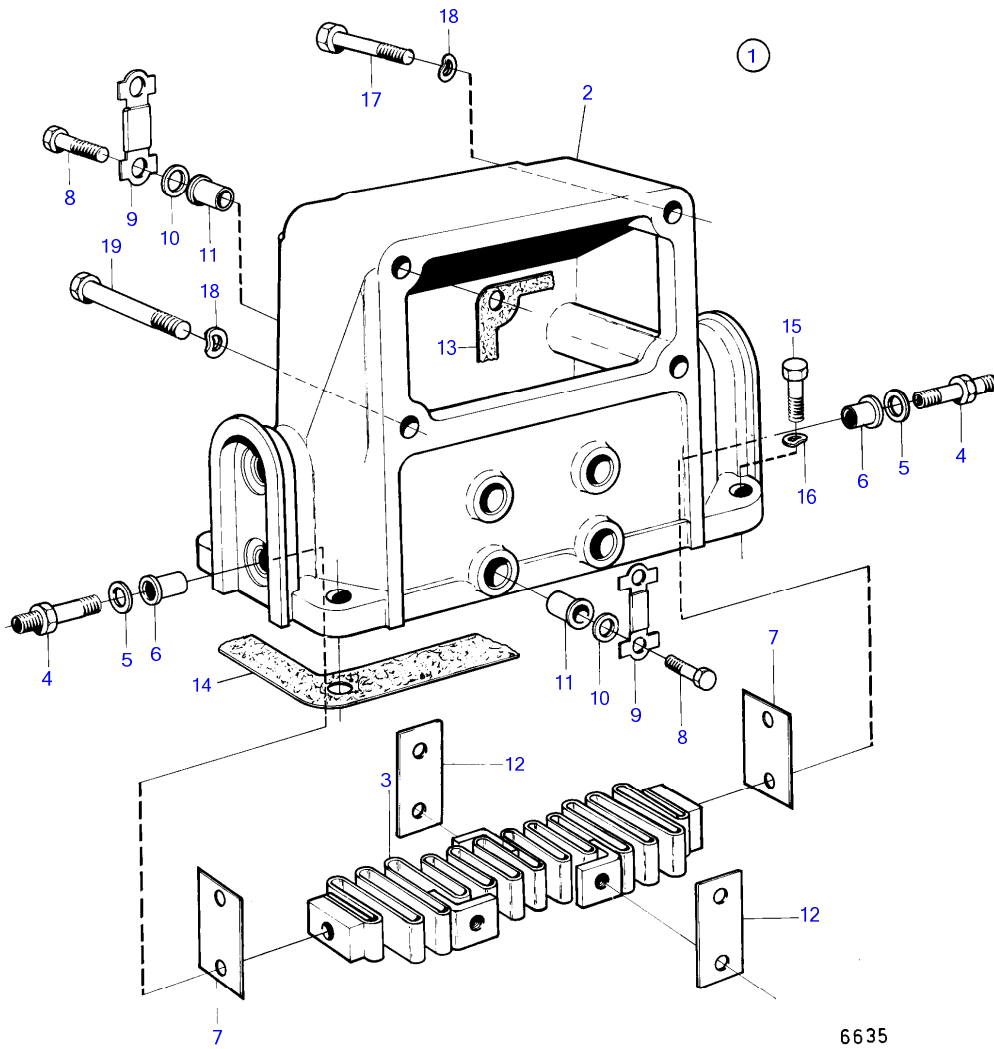
REF	PART NO.	QTY	DESCRIPTION	NOTES
1	(845627)	1	Housing	
2	862597	1	Gasket	
3	956569	12	Hex. socket screw	
4	11992	12	Gasket	
5	(845708)	1	Cover	
6	845709	1	Gasket	
7	(846431)	4	Screw	
8	941906	4	Spring washer	
9	843768	1	Thermo monitor	
10	957179	1	Gasket	
11	843288	1	Sleeve	
12	956062	2	Cross recessed screw	
13	(16325)	5	Plug	
14	864285	1	Pressure monitor	Alarm
15	864284	1	Pressure switch	Stop
16	881432	1	Sensor	
17	(844120)	1	Bracket	
18	955590	1	Hexagon screw	
19	941912	1	Spring washer	
20	836273	1	Three-way valve	
21	954335	2	Nipple	
22	(844284)	1	Oil pipe	
23	(831965)	1	Nipple	
24	(844283)	1	Oil pipe	
25	954342	1	Elbow nipple	
25A	835980	1	Nipple	
26	25168	1	Banjo nipple	
27	957178	2	Gasket	
28	942008	1	Hollow screw	See group 2B
29	942703	1	Gasket	See group 2B
30	822571	1	Oil pressure pipe	See group 2B
31	957181	1	Gasket	See group 2B
32	881193	1	Grommet	
33	843815	1	Float	
34	957191	1	Gasket	
35	843639	1	Plug	
36	957178	2	Gasket	
37	(847001)	1	Tube	See group 2C
38	823417	1	Hollow screw	
39	844770	1	Valve	
40	960202	1	O-ring	
41	843688	1	Nipple	
42	957181	1	Gasket	
43	15304	1	Gasket	
44	843640	1	Lock nut	
45	843757	1	Flow monitor	
46	25167	1	Hollow screw	
47	940374	2	Clamp	
48	956570	2	Hex. socket screw	
49	955894	2	Washer	

TD121CHC

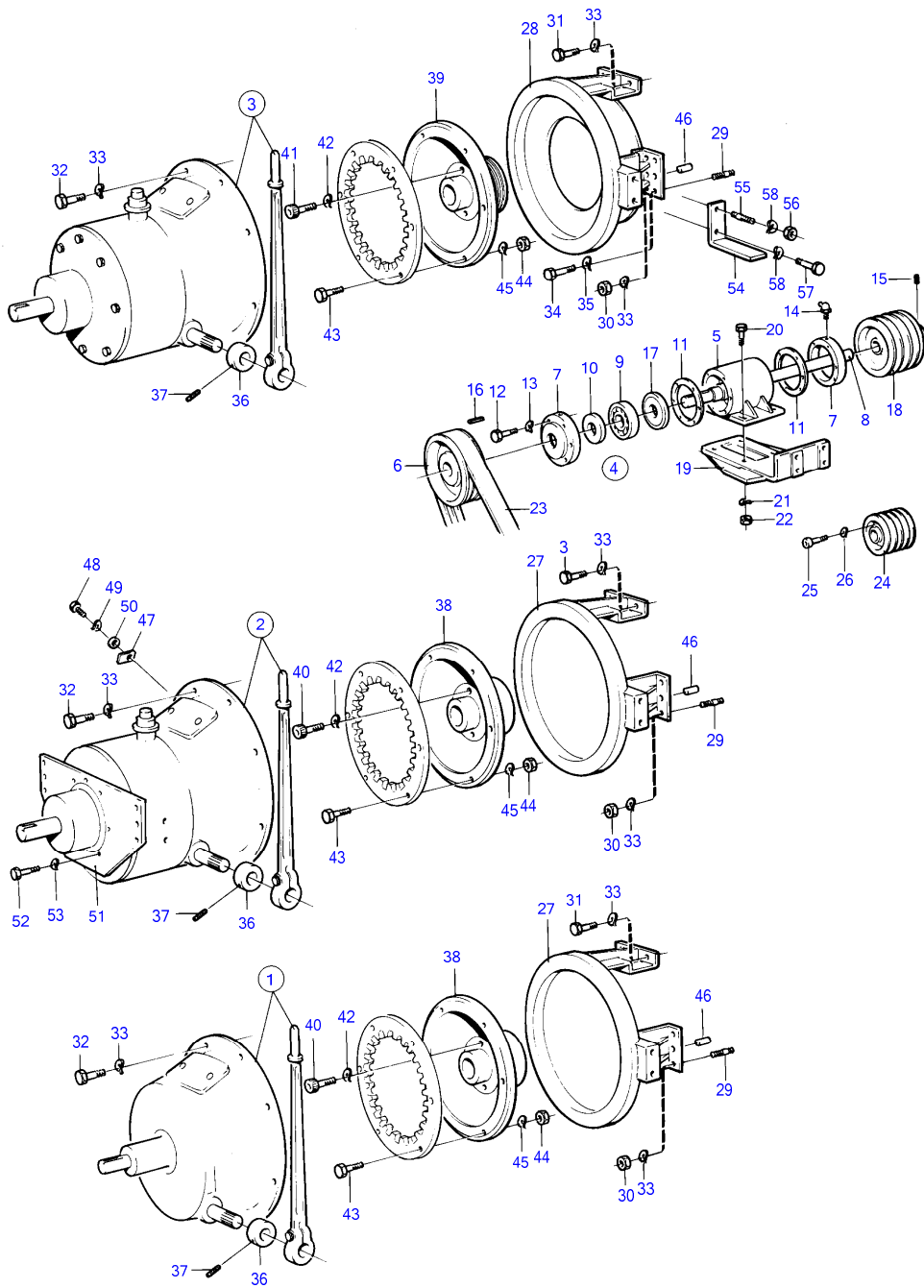


5718

TAD121CHC



TD100CRC



6518

TD100CHC

REF	PART NO.	QTY	DESCRIPTION	NOTES
1		1	coupling flange	For generating unit
2	845618	1	• Clutch flange	For generating unit
3	845617	1	• Rubber element	For generating unit
4	845616	1	Clutch half	For generating unit
5	960691	8	Hexagon screw	For generating unit
6	840210	8	Washer	For generating unit

TD100CHC, TD100CRC

REF	PART NO.	QTY	DESCRIPTION	NOTES
1	876990	1	Overhaul kit, basic	TD100CHC, TD100CRC TMD100C, TMD102A
	275627	6	• Cylinder liner kit	
	270438	7	• Main bearing kit, std d	
	276758	1	• Thrust washer kit, std d	
	270124	6	• Big-end bearing kit, std d	
	876322	1	• Gasket kit, turbo connect.	
	270789	6	• Cylinder head gasket, cylinder head	
	876316	1	• Gasket kit, decarbonizing	
	876643	1	• Gasket, induct+exhaust manifold	
	876401	1	• Gasket kit, additional recondition	
	877601	1	Overhaul kit, cylinder head	TD100CHC, TD100CRC TMD100C
	270946	6	• Socket set, fuel injector	
	479204	6	• Inlet valve	
	467855	6	• Exhaust valve	
	468305	24	• Valve cotter	
	422320	6	• Valve guide, inlet	
	1545135	6	• Valve guide, exhaust	
	479863	12	• Tappet	
	467474	6	• Valve seat, intake	
	467475	6	• Valve seat, exhaust	
	(877600)	1	Overhaul kit, sub unit	TD100CHC, TD100CRC TMD100C, TMD102A
	(479319)	1	• Oil pump, complete	
	866584	1	• Coolant pump, complete	
	3803214	1	• Coolant pump, complete	
	846807	1	• Turbocharger, complete	
	3802021	1	• Turbocharger, reman, complete	
	470933	6	• Injector	
	3803247	6	• Injector	

TD100CRC

REF	PART NO.	QTY	DESCRIPTION	NOTES
1	275627	6	Cylinder liner kit	
		6	• cylinder liner	
	271158	6	• Sealing ring kit	
		6	• • seal ring	
		12	• • seal ring	
		6	• piston	
	275084	6	• Piston ring kit	
		6	• • oil ring	
		6	• • compression ring	
		6	• • compression ring	
	422344	6	• Piston pin	Std D
	(422345)	6	• Piston pin	0.05mm o.s
	(422347)	6	• Piston pin	0.20mm o.s
	417466	12	• Snap ring	
		6	• oil ring	
		12	• compression ring	
		6	• compression ring	
		6	• seal ring	
		12	• seal ring	
	270124	6	Big-end bearing kit	Std D
	270125	6	Big-end bearing kit	0.25mm u.s
	270126	6	Big-end bearing kit	0.50mm u.s
	(270127)	6	Big-end bearing kit	0.75mm u.s
	270128	6	Big-end bearing kit	1.00mm u.s
	(270129)	6	Big-end bearing kit	1.25mm u.s
	270438	7	Main bearing kit	Std D
	270439	7	Main bearing kit	0.25mm u.s
	270440	7	Main bearing kit	0.50mm u.s
	(270441)	7	Main bearing kit	0.75mm u.s
	270442	7	Main bearing kit	1.00mm u.s
	(270443)	7	Main bearing kit	1.25mm u.s
	276758	1	Thrust washer kit	Std D
	276759	1	Thrust washer kit	0.10mm o.s
	276760	1	Thrust washer kit	0.20mm o.s
	(276761)	1	Thrust washer kit	0.30mm o.s
	270789	6	Cylinder head gasket, cylinder head	
		6	• gasket	
	422413	6	• Sealing ring	D=11mm
	422414	12	• Sealing ring	D=18mm
	422415	12	• Sealing ring	D=32mm
	875768	1	Gasket kit, gasket kit reconditioning	
	11992	40	• Gasket	
	11994	2	• Gasket	
	11996	10	• Gasket	
	11998	2	• Gasket	
	18666	2	• Gasket	
	969011	19	• Gasket	
	18818	2	• Gasket	
	400797	4	• O-ring	
	975610	2	• O-ring	
	416033	3	• Sealing ring	
	420213	8	• Sealing ring	
	420641	1	• Plane gasket	
	422130	1	• Gasket	
	422171	1	• Gasket	
	422626	1	• Gasket	
	423123	1	• Sealing ring	
	423127	1	• Gasket	
	423139	5	• Sealing ring	
	469846	7	• Sealing ring	
	468463	1	• Gasket	
	424621	1	• Gasket	
	469455	6	• Sealing ring	

CLICK HERE TO **DOWNLOAD** THE COMPLETE MANUAL

- Thank you very much for reading the preview of the manual.
- You can download the complete manual from: www.heydownloads.com by clicking the link below



- Please note: If there is no response to CLICKING the link, please download this PDF first and then click on it.

CLICK HERE TO **DOWNLOAD** THE COMPLETE MANUAL