

15114

CLICK HERE TO **DOWNLOAD** THE COMPLETE MANUAL

- Thank you very much for reading the preview of the manual.
- You can download the complete manual from: www.heydownloads.com by clicking the link below



- Please note: If there is no response to CLICKING the link, please download this PDF first and then click on it.

CLICK HERE TO **DOWNLOAD** THE COMPLETE MANUAL

REF	PART NO.	QTY	DESCRIPTION	NOTES
	859881	X	Shim	TH=3,32mm
	859880	X	Shim	TH=3,34mm
	859879	X	Shim	TH=3,38mm
	859662	X	Shim	TH=3.40mm
19	859661	8	Tappet	MD22L-A (860018)
20	860017	1	Camshaft	MD22L-A, Included in exchange unit cylinder head 3803317.
	859657	1	Camshaft	MD22A, TMD22A
21	859658	1	Guide	
22	859659	1	Sealing ring	
23	859660	1	Sealing ring	
24	859647	1	Cylinder head gasket	
25	946025	1	Flange screw	
26	957171	1	Gasket	
27	859663	4	Screw	
28	859664	6	Screw	
29	859848	1	Bracket	
30		1	• Clip	
31	965181	2	Flange screw	
32	945408	2	Flange nut	
33		1	Plate	
34	946440	2	Flange screw	
35	859635	2	Guide pin	
36		1	Lifting eye, front	
		1	Lifting eye, Rear	
37	859857	5	Screw	
38		4	Glow plug	See group 30
39	859689	1	Plug	
40	969011	1	Gasket	

REF	PART NO.	QTY	DESCRIPTION
1	859768	1	Housing
2	859775	12	• Clip
3	965200	1	Flange screw
4	946544	7	Flange screw
5	946544	1	Flange screw
6	859770	1	Cap
7	859769	1	Cap
8	859773	1	Tooth belt
9	861575	1	Tensioner
10	859772	1	Screw
11	861584	1	Gear pulley
12	859669	1	Hub
13	950566	1	Pin
14	946173	4	Flange screw
15	963269	1	Hexagon screw
16	859670	1	Washer
17	(861405)	1	Gear pulley
18	859667	1	Pulley
19	973083	1	Flange screw
20	859692	1	Nut
21	859693	1	Spring washer
22	860019	1	Gear pulley

REF	PART NO.	QTY	DESCRIPTION	SEE SEC.	NOTES
1	(859724)	1	Sump		
2	861603	1	Gasket		(859726)
3	946934	16	Flange screw		L=20mm
	948356	1	Flange screw		L=30mm
	965212	1	Flange screw		L=35mm
4	859725	1	Plug		
5	483963	1	Washer		
6	(859733)	1	Tube		
7	946440	1	Flange screw		
8	859734	1	Dipstick		
9	859739	1	Hose		Oil filling-oil pan.
10	961665	1	Hose clamp		
11	859751	1	Connector		
12	861604	1	Hose		Oil filling-oil pan., (859742)
13	961665	1	Hose clamp		
14	859740	1	Tube		
15	859741	1	Nut		
16	6613372	1	Fitting		
17	859728	1	Suction pipe		
18	946934	2	Flange screw		
19	965175	1	Flange screw		
20	859732	1	O-ring		
21	6613687	1	Washer		
22		1	Oil pump	54159588	
23	957185	1	Gasket		
24	860014	1	Tube		
25	961665	2	Hose clamp		
26	860217	1	Hose		
27	(860216)	1	Tube		
28	946173	1	Flange screw		
29	943835	1	Plug		
30	859727	1	Plug		
31	6613687	1	Washer		

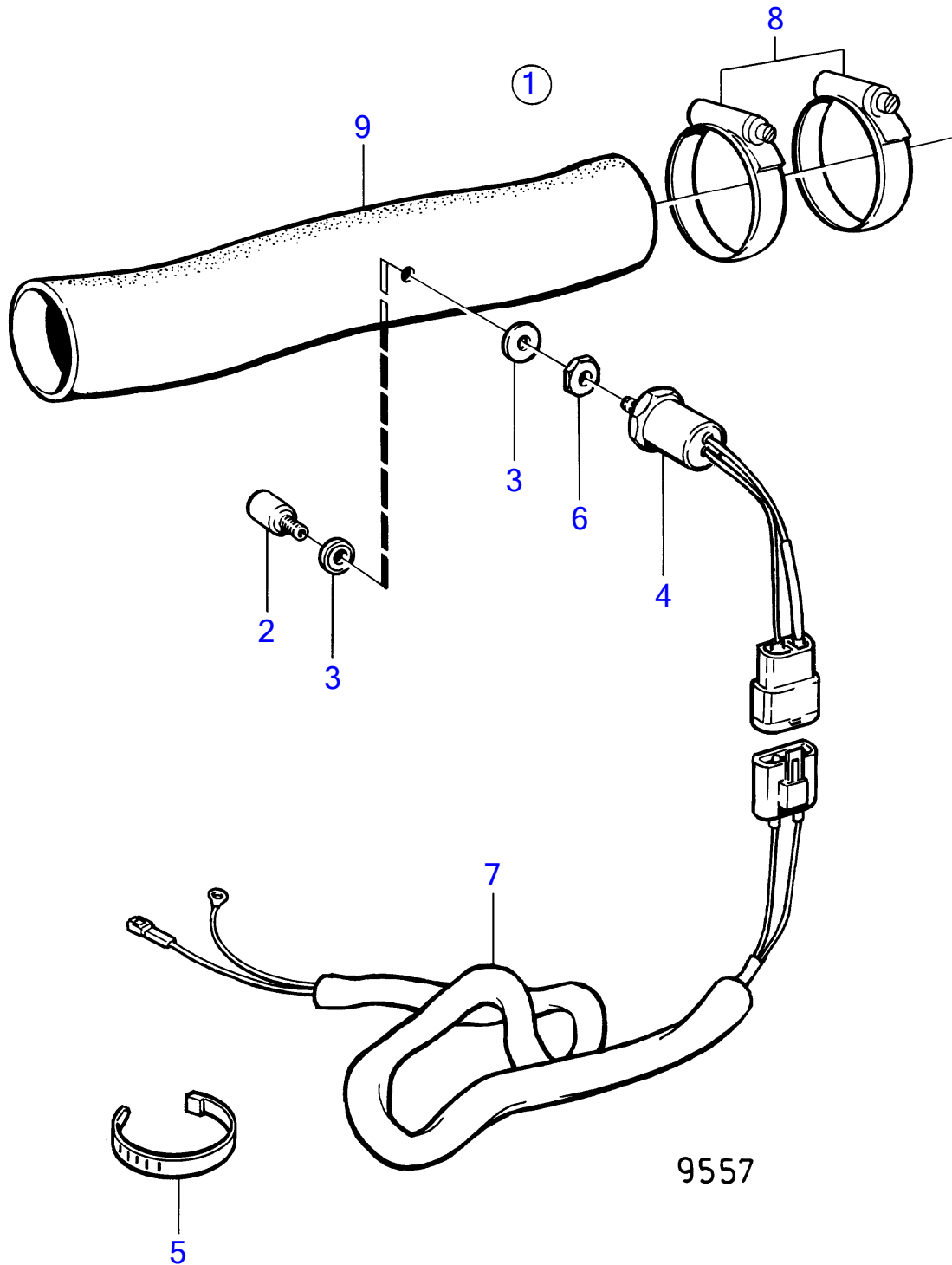
REF	PART NO.	QTY	DESCRIPTION	SEE SEC.	NOTES
1	861143	1	Fuel filter		Repl by 877762
	877762	1	Fuel filter		
			.		
2	1147147	1	• Fuel filter insert		2 mikron
	861014	1	• Insert		10 mikron, Std
	3581760	1	• Fuel filter insert		30 mikron
3	838504	1	• Gasket		
4		1	• Lock		
5	838505	1	• O-ring		
6		1	• Handle		
7	861455	1	• O-ring		
8		1	• • O-ring		
9		1	• • Ball		
10		1	• • Insert		
11	3838861	1	• • Gasket		(838502)
12	3838848	1	• Bowl		(861453)
13		1	• Plug		
14	861456	1	• Faucet		
15	950024	4	• Cross recessed screw		
16		1	• Bracket		
17		1	• Clamp		
18		1	• Clamp		
19		3	• Screw		
20		3	• Nut		
21		1	• Plug		
22	3825000	X	Hose nipple		(834781)
23	954337	X	Nipple		
24	954323	X	Fitting nut		
25	1140724	1	Level guard		
26	3588916	1	• Alarm kit		
27	808175	1	• Bulb socket		
28	19923	1	• Bulb		12V, 2W
	182059	1	• Bulb		24V, 3W
29	967583	1	• Retainer		
30	829714	1	• Sealing ring		
31	838455	1	• Retainer		
32	872591	1	• Symbol strip		
33		X	• cables and terminals	54155358	
34	881774	1	Wiring harness		

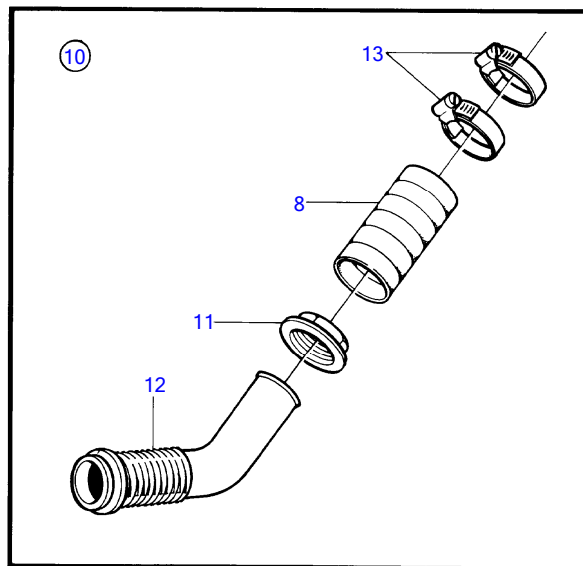
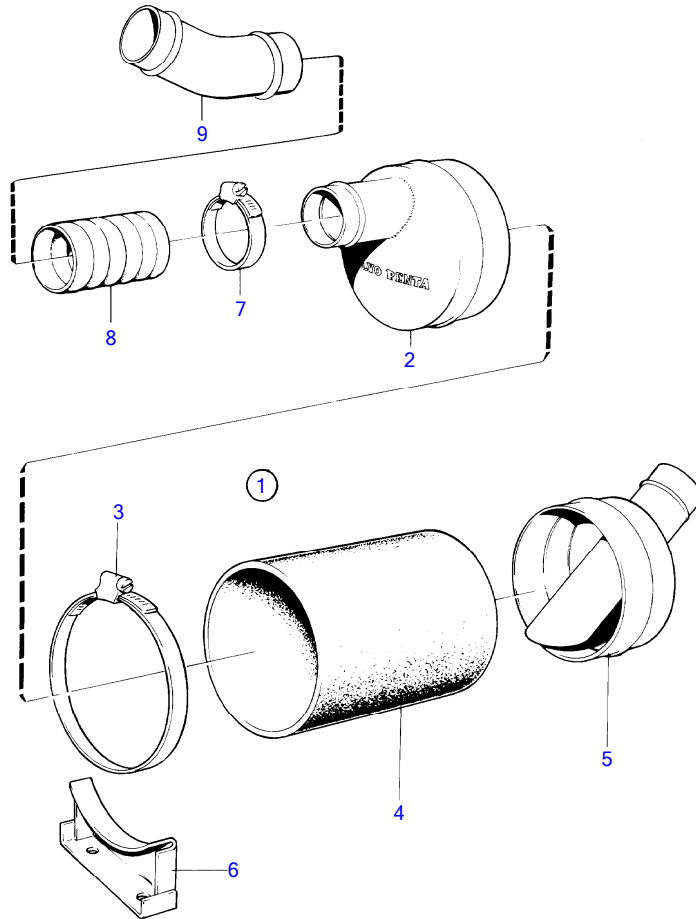
REF	PART NO.	QTY	DESCRIPTION	SEE SEC.	NOTES
1	877763	1	Fuel filter		
2	1147147	1	• Fuel filter insert		2 mikron
	861014	1	• Insert		10 mikron
	3581760	1	• Fuel filter insert		30 mikron
3	838504	1	• Gasket		
4		1	• Lock		
5	838505	1	• O-ring		
6		1	• Handle		
7	3838861	1	• Gasket		
8	3838849	1	• Bowl		
9	950024	4	• Cross recessed screw		
10	952075	1	• Plug		
11	954337	2	Nipple		
12	954323	2	Fitting nut		
13	1140062	2	Copper tube		
14	3825000	2	Hose nipple		
15	961664	2	Hose clamp		
16	861057	X	Fuel hose		3/8"
17	1140724	1	Level guard		
18	3588916	1	• Alarm kit		
19	881774	1	• Wiring harness		
20	808175	1	• Bulb socket		
21	19923	1	• Bulb		12V, 2W
	182059	1	• Bulb		24V, 3W
22	967583	1	• Retainer		
23	829714	1	• Sealing ring		
24	838455	1	• Retainer		
25	872591	1	• Symbol strip		
26		X	• cables and terminals	54155358	

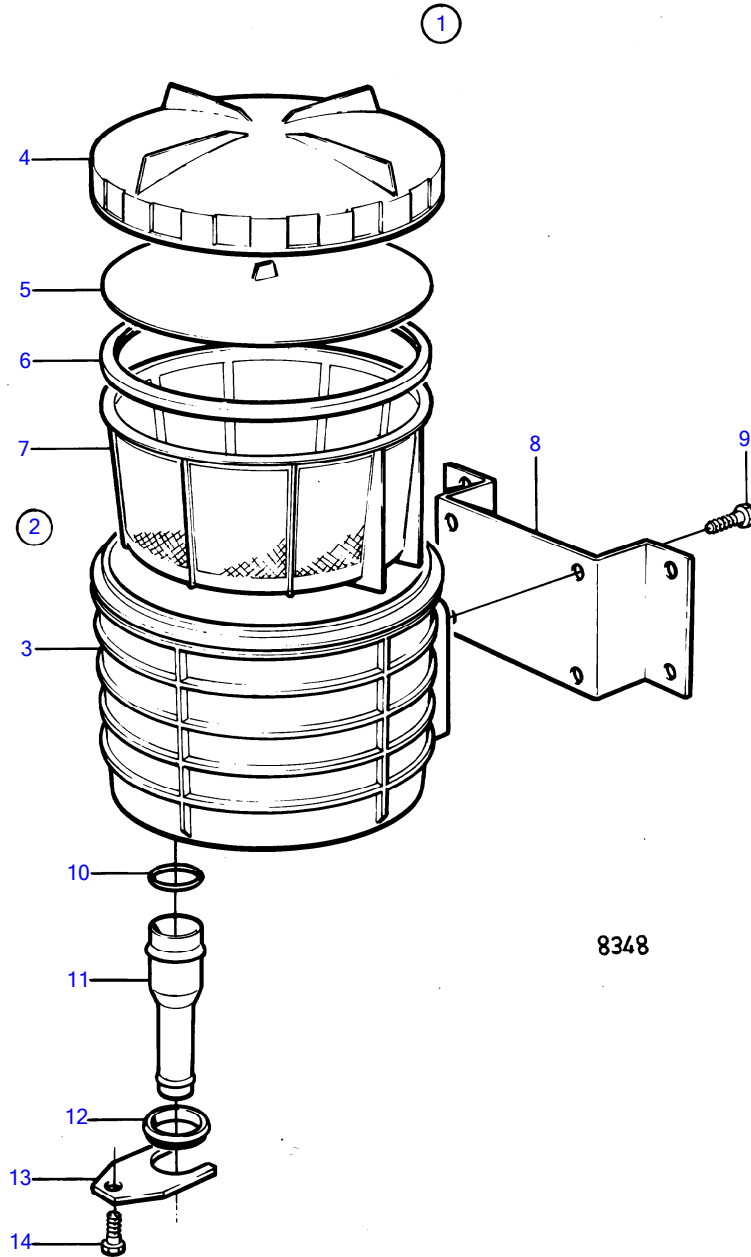
MD22A

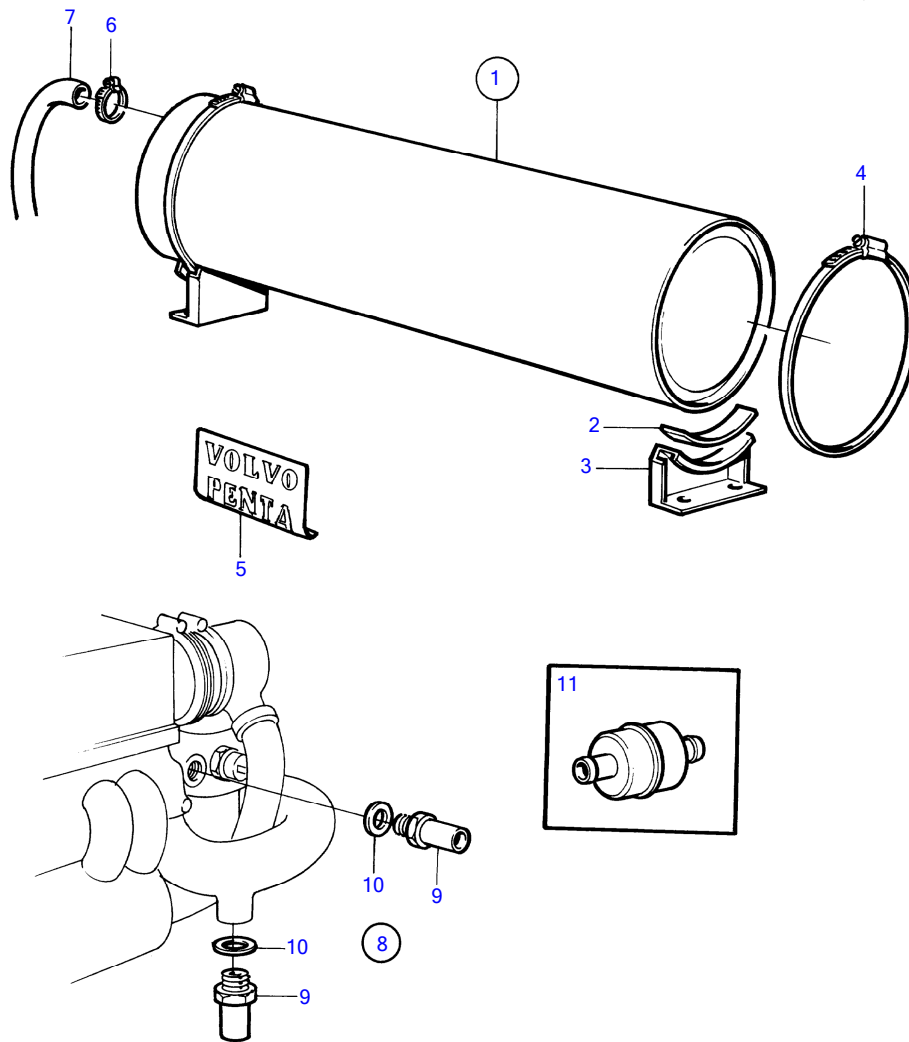
REF	PART NO.	QTY	DESCRIPTION	SEE SEC.	NOTES
1	(859690)	1	Injection pump		Obsolete part
			• parts not sold separately		
	(861322)		Injection pump		For TMD22A 868341, Obsolete part
			• parts not sold separately		
	3580790		Injection pump		For TMD22A 868764
			• parts not sold separately		
2	876614	1	• Stop solenoid		
3	(861602)	1	Bracket		Obsolete part
4		2	Guide pin		
5	965186	4	Flange screw		
6		1	Bracket		
7	946440	2	Flange screw		
8	946440	2	Flange screw		
9	924063	3	Stud		
10	945408	3	Flange nut		
11	859845	1	Fuel filter		
			•		
12	859936	1	Delivery pipe		Cyl no 1
	861416		Delivery pipe		Cyl no 1
	859937	1	Delivery pipe		Cyl no 2
	861417		Delivery pipe		Cyl no 2
	859938	1	Delivery pipe		Cyl no 3
	861418		Delivery pipe		Cyl no 3
	859939	1	Delivery pipe		Cyl no 4
	861419		Delivery pipe		Cyl no 4
13	(859940)	1	Clamp		3-pipes, Obsolete part
	(861420)		Clamp		3-pipes, Obsolete part
	859941	1	Clamp		4-pipe
	(861421)		Clamp		Obsolete part, 4-pipe
14	955269	2	Hexagon screw		(859707)
15	859697	4	Injector		
	3803293	4	Injector		
			•		
	861323	4	Injector		
	3803294	4	Injector		
			•		
16	859702	4	Guide sleeve		
17	859698	4	Washer		
18	859699	4	Clamp		
19		4	• Screw		
20		4	• Washer		
21		4	Spacer		
22	6613083	4	Hollow screw		
23	946729	8	Gasket		
24	859705	1	Leak-off pipe		Cyl no 1, 3
	(859706)	1	Leak-off pipe		Cyl no 2, 4
25	859852	1	Screw		
26			Adapter		
27	11994	2	Gasket		(859853)
28	3580722	1	Tube		(861650)
29		1	• Pipe connection		
30	483468	2	Spacer		
31	483467	2	Fitting nut		
32	3583445	1	Banjo nipple		
33	3583806	1	Nut		
34	954363	1	Fitting		(3583807)
35	3582500	1	Feed pump		(859844)
36	3582250	1	Repair kit		
37	859843	1	Gasket		
38	945444	2	Flange screw		
39	859847	1	Tube		
40	6637511	1	Nut		
41	6634735	5	Fitting		

MD22A, TMD22A

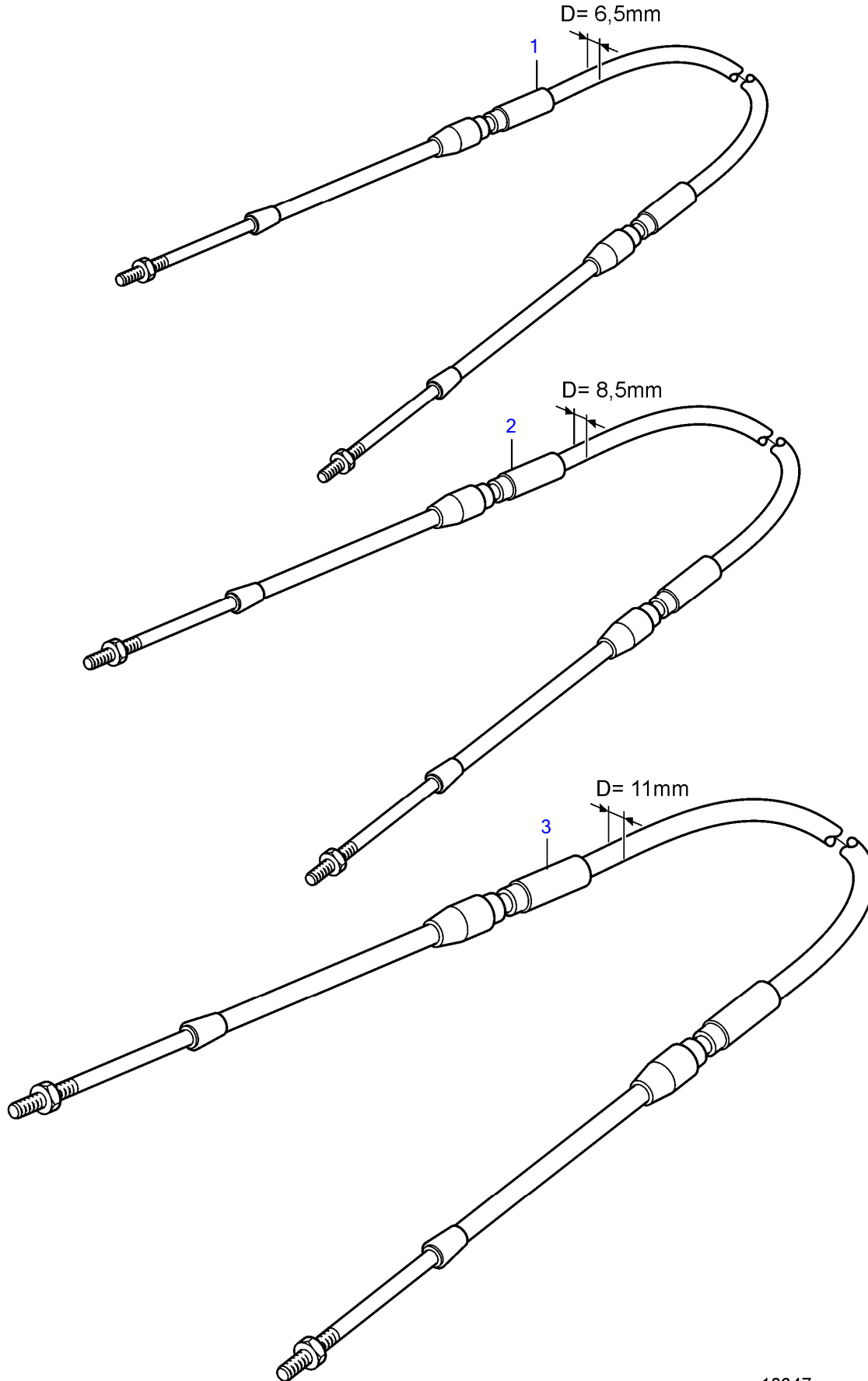


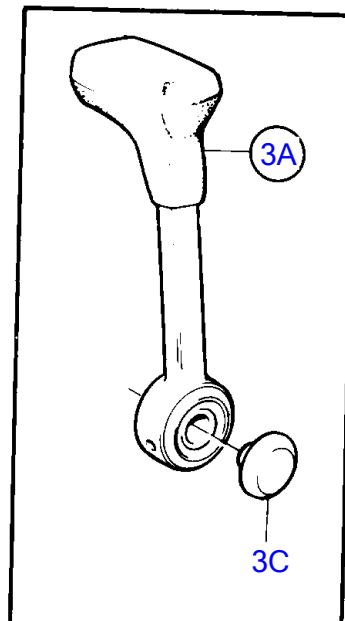
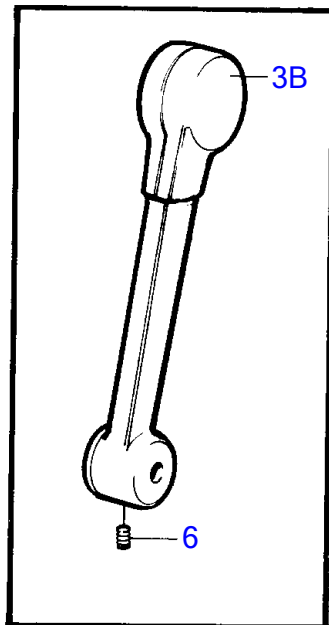
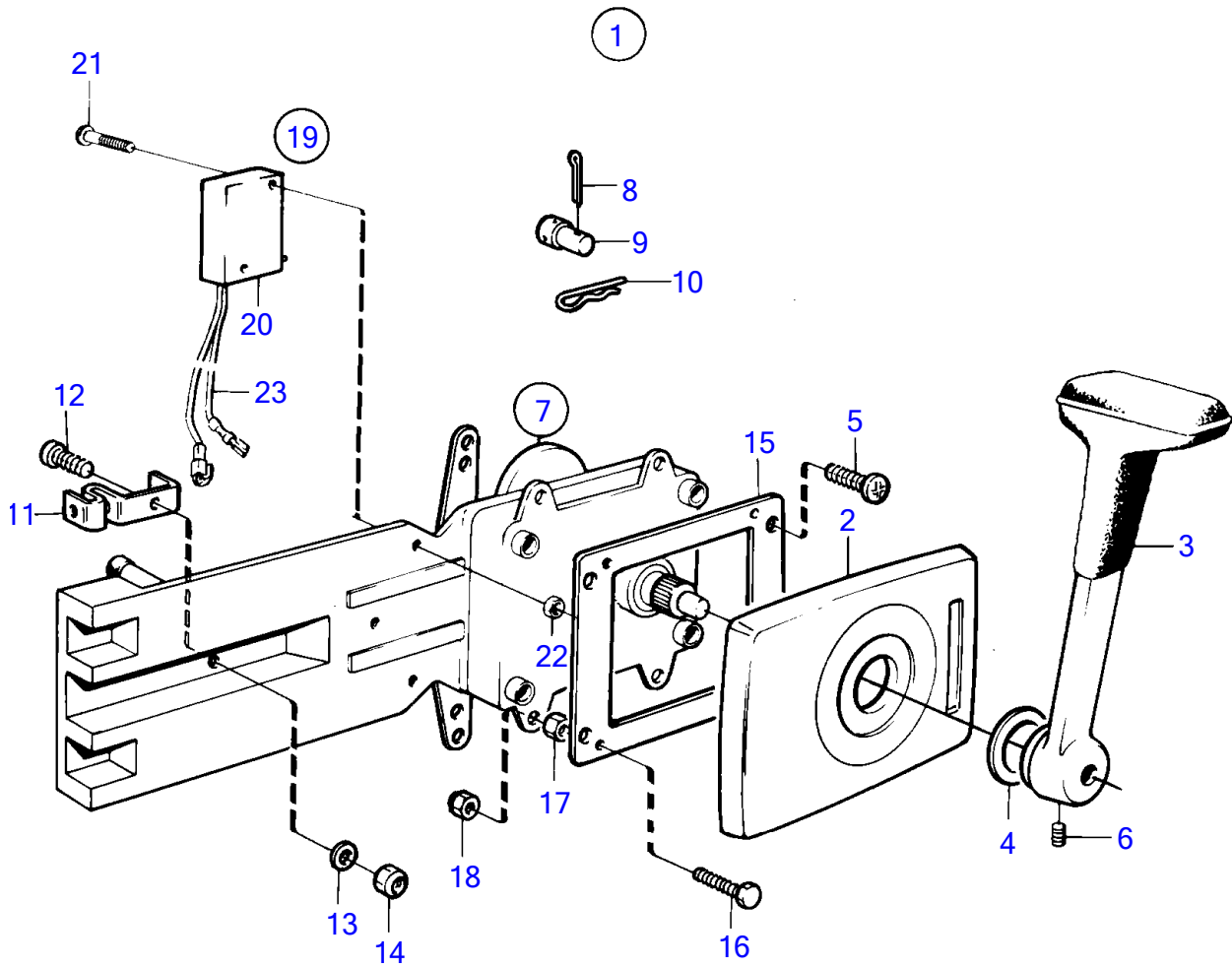




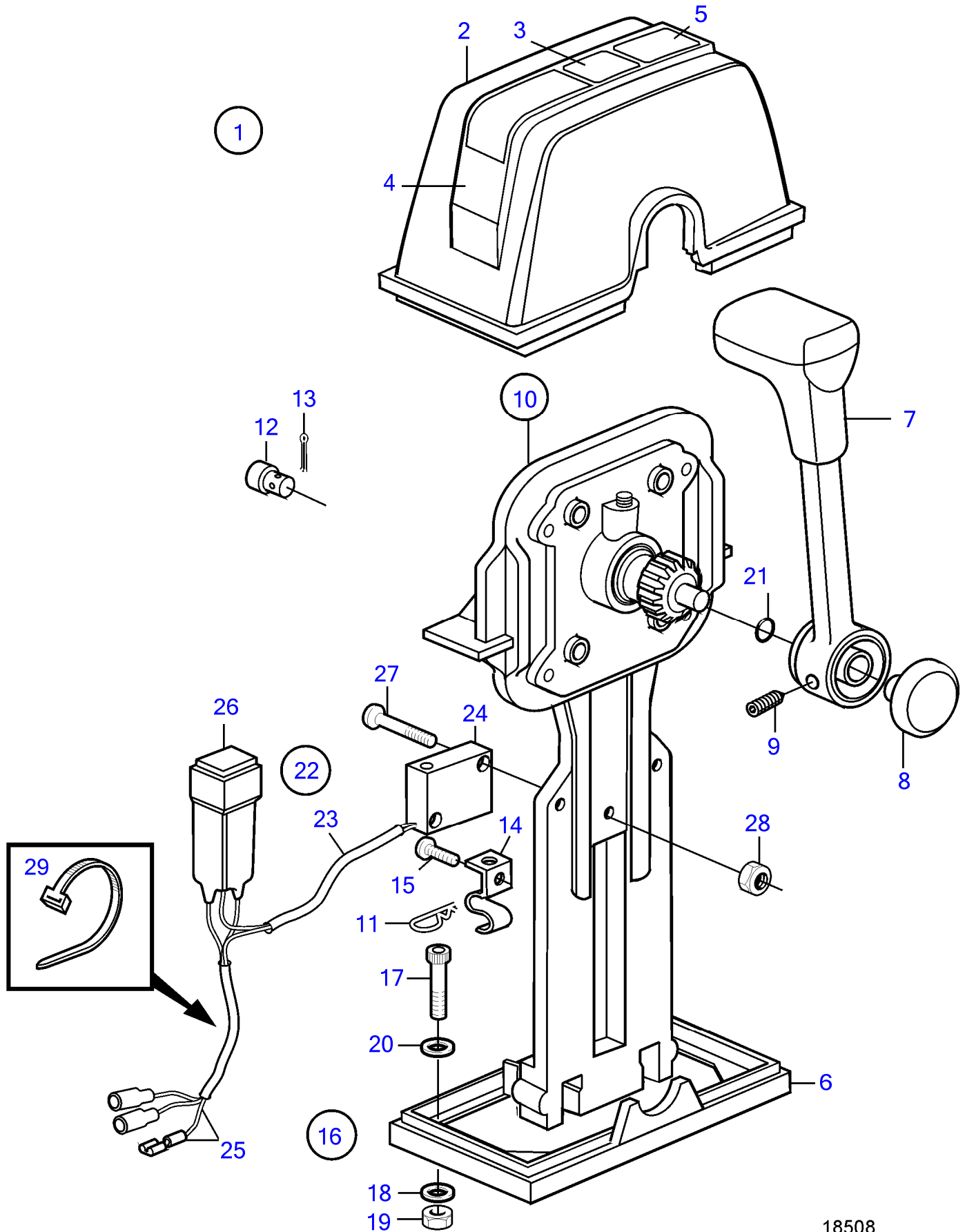


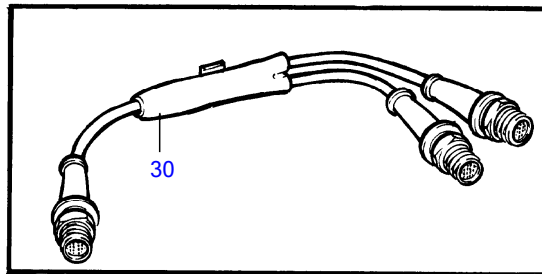
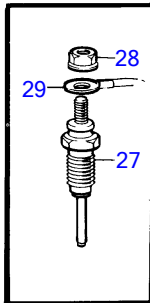
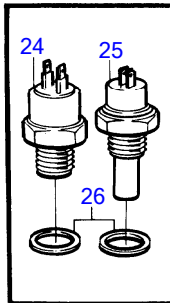
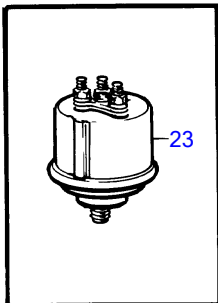
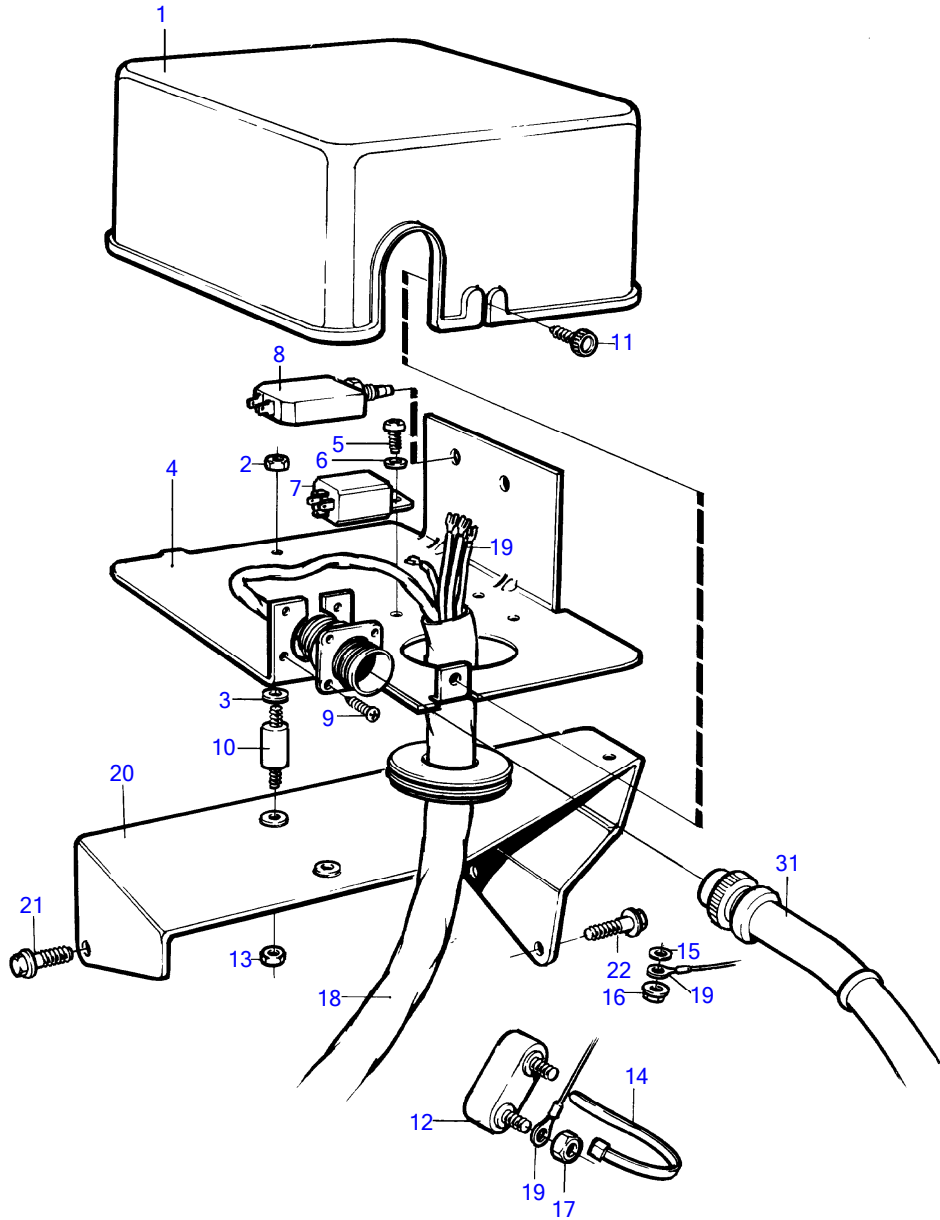
9605





10315





15103

CLICK HERE TO **DOWNLOAD** THE COMPLETE MANUAL

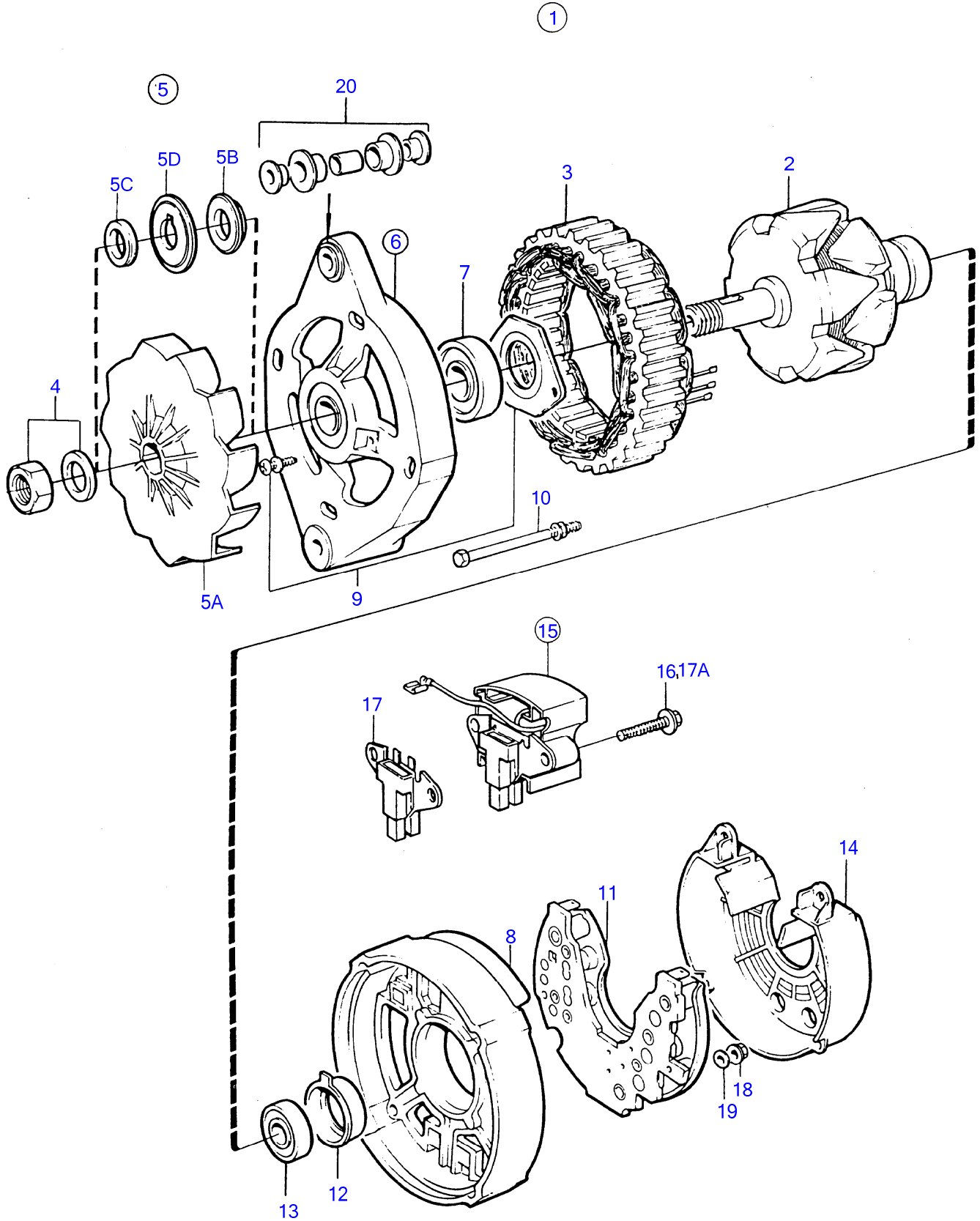
- Thank you very much for reading the preview of the manual.
- You can download the complete manual from: www.heydownloads.com by clicking the link below

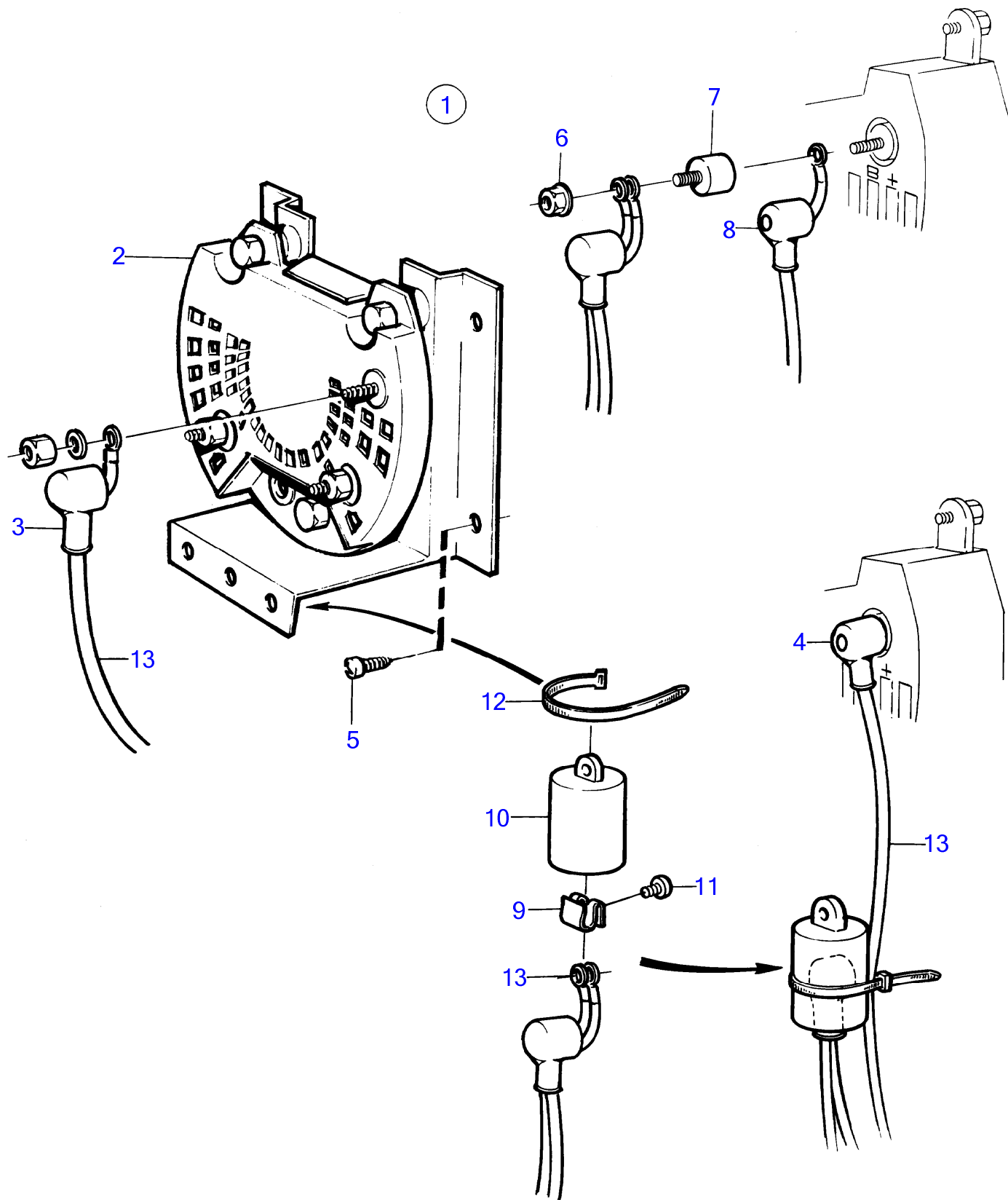


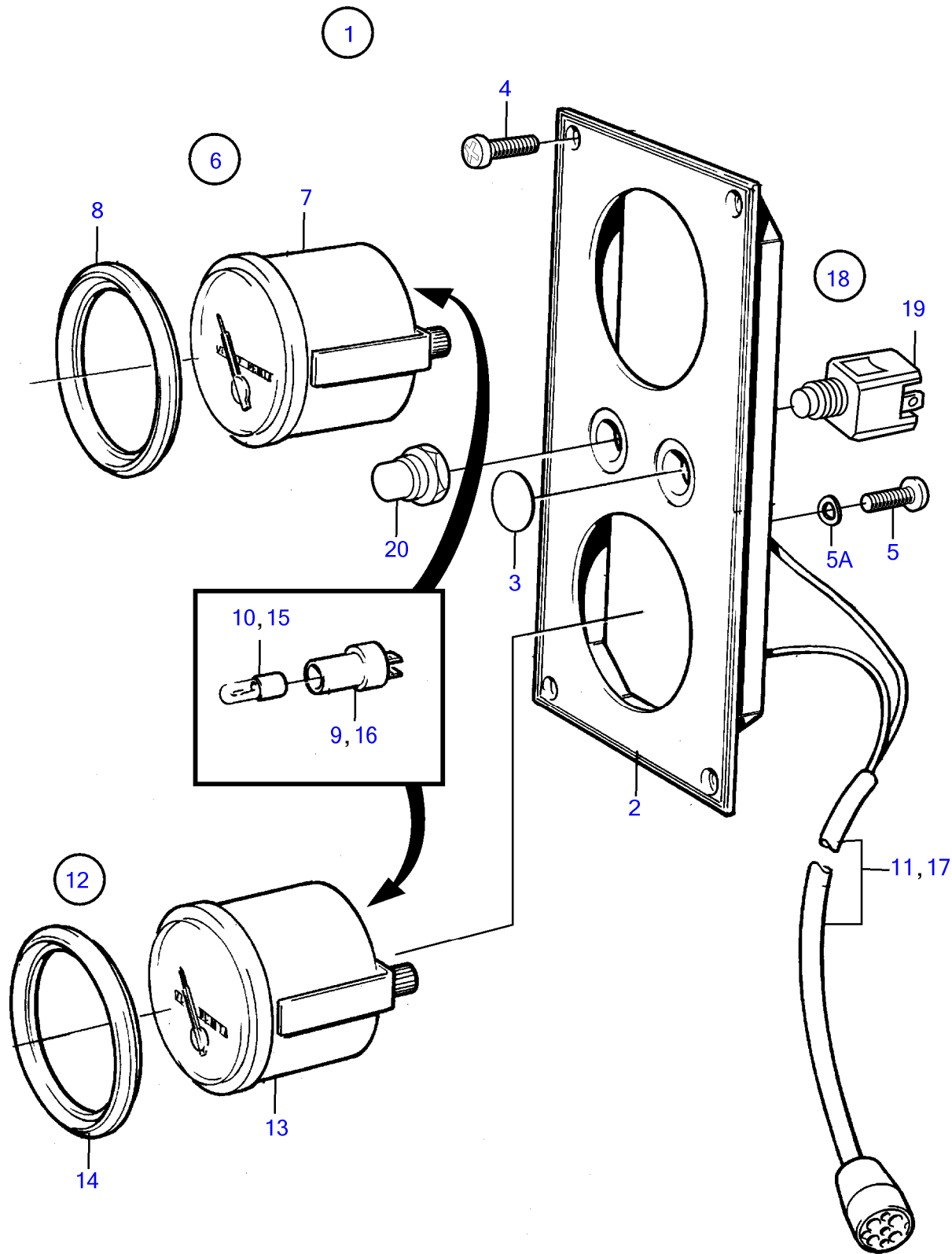
- Please note: If there is no response to CLICKING the link, please download this PDF first and then click on it.

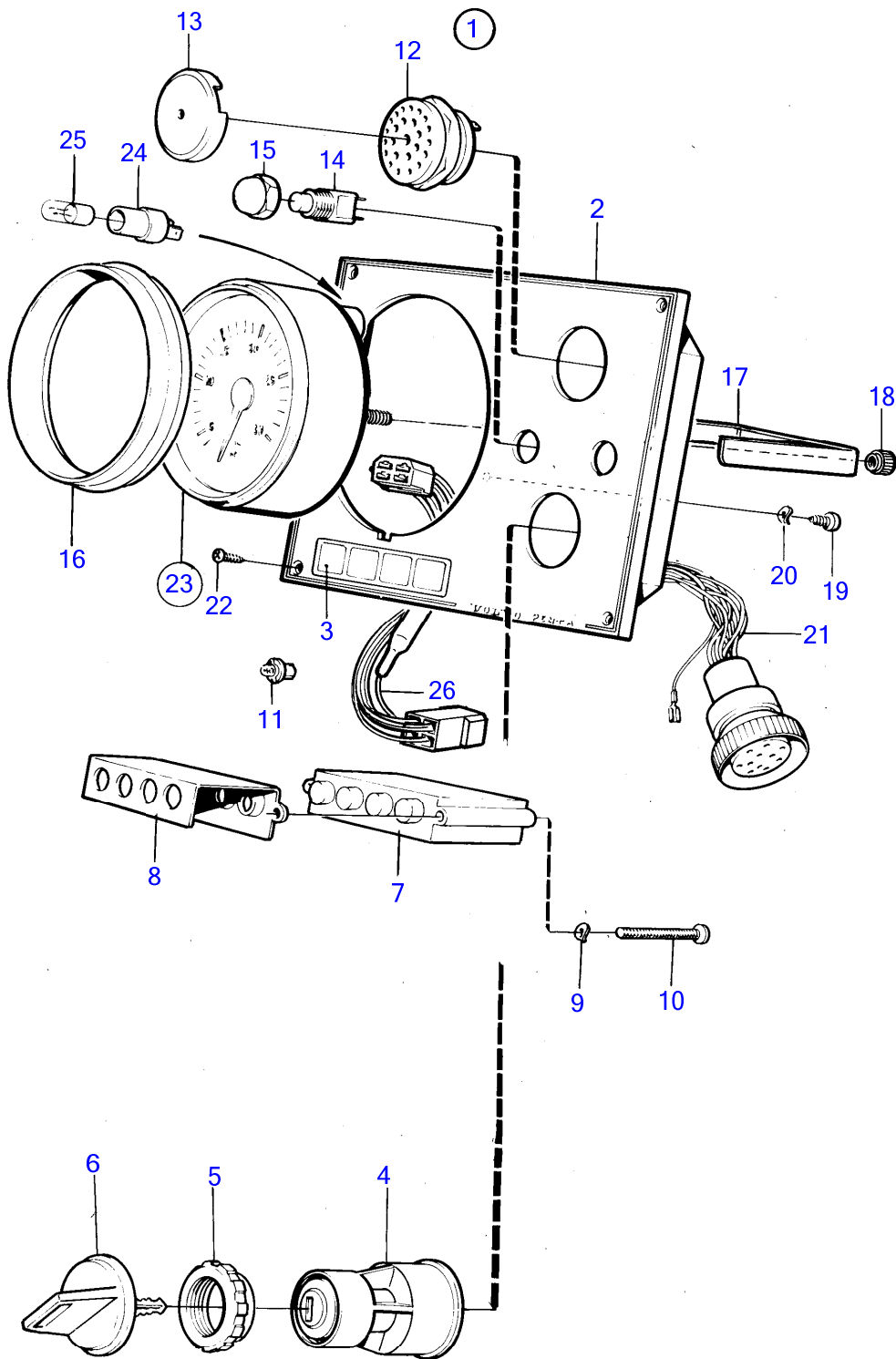
CLICK HERE TO **DOWNLOAD** THE COMPLETE MANUAL

MD22A, TMD22A



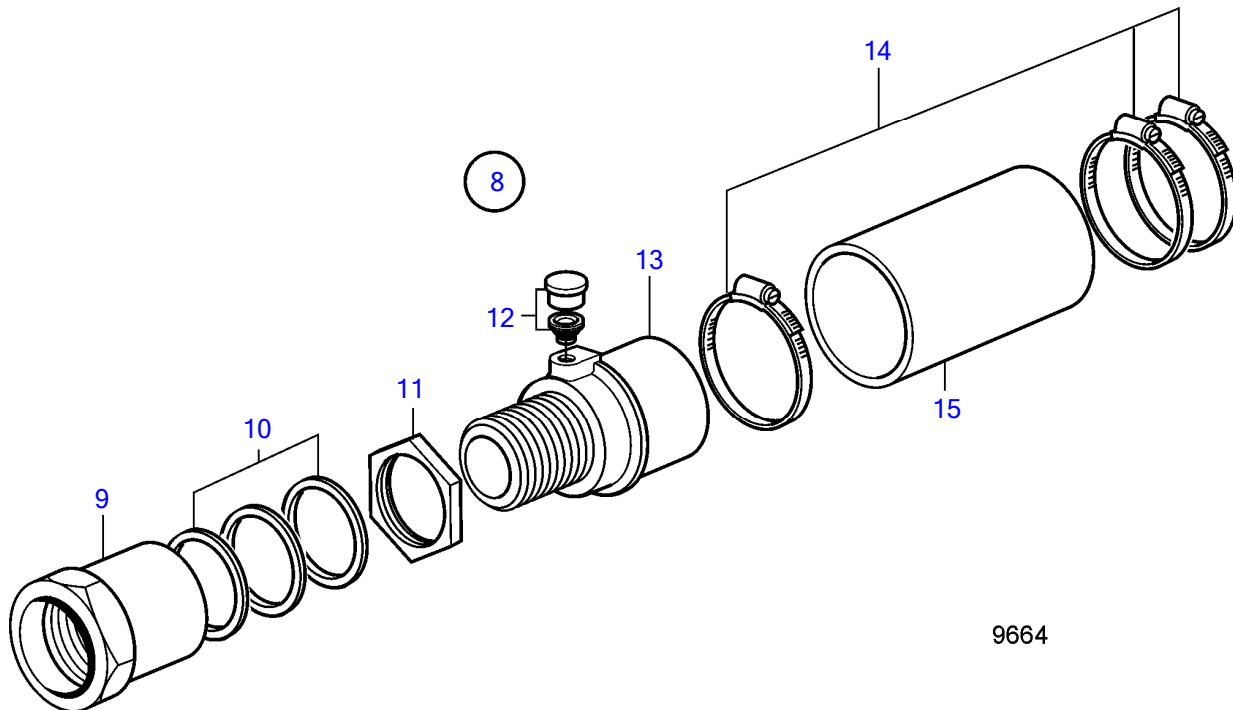
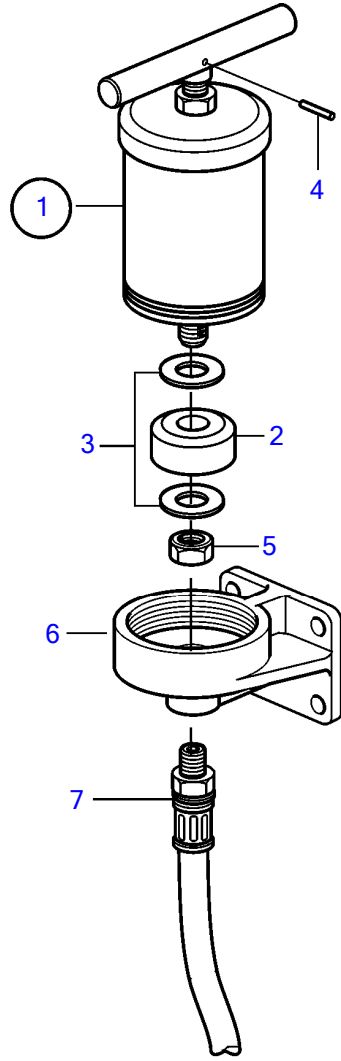




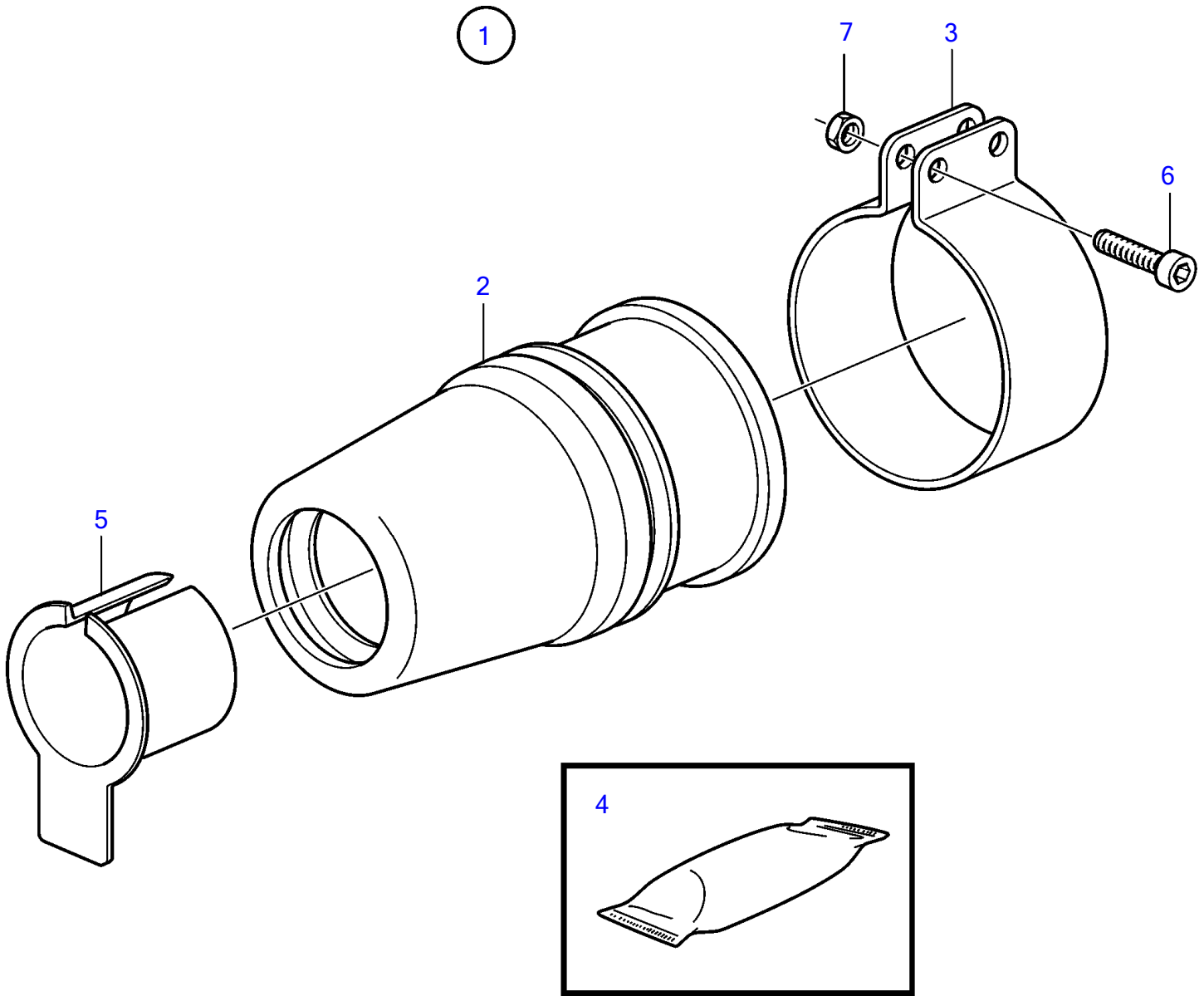


16150

REF	PART NO.	QTY	DESCRIPTION
1	973150	1	Terminal
	949206	1	Cable terminal
2	948856	1	Housing
3	948855	1	Housing
4	973117	1	Terminal
	881487	1	Terminal
	881488	1	Terminal
5	945830	1	Socket housing
6	945831	1	Tab housing
7	958210	1	Housing
8	958209	1	Housing
9	944076	1	Housing
10	948857	1	Housing
11	977184	1	Housing
12	1214948	1	Housing
13	945469	1	Housing
14	1578937	1	Housing
15	828624	1	Receptacle housing
16		1	Housing
17	949405	1	Terminal
18	947848	1	Housing
19	944077	1	Housing
20	881483	1	Terminal
	881484	1	Terminal
21	949597	1	Housing
	943511	1	Housing
22	881489	1	Terminal
23	944221	1	Housing



9664

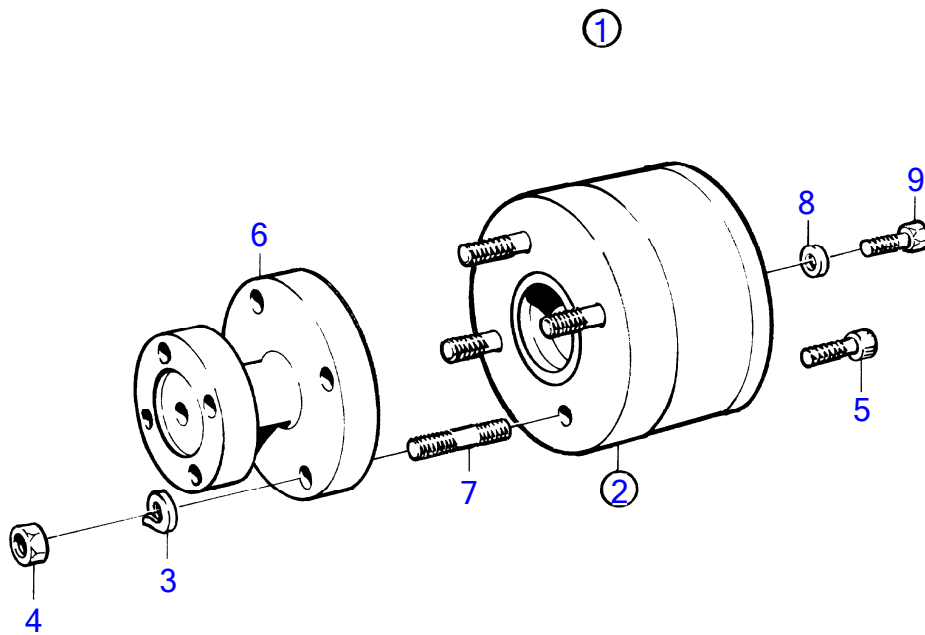


6147

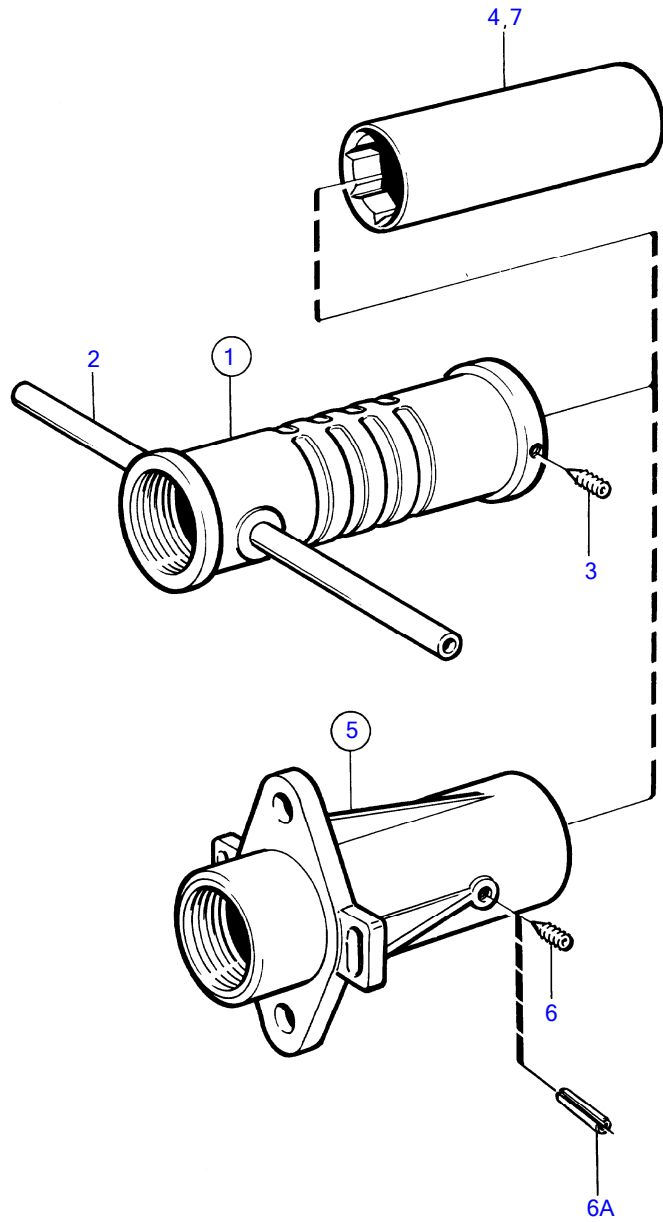
MS2B-A

REF	PART NO.	QTY	DESCRIPTION	NOTES
1	854338	1	Reversing gear	Ratio 2.4:1 Replaced by 873077
2	852726	1	• Housing	
3	873123	1	• Cap	(852524)
4	949962	1	• O-ring	Included in gasket kit.
5	851754	1	• Filler cap	
6	1664473	1	• O-ring	Included in gasket kit., (925254)
7	946671	4	• Flange screw	
8	873095	1	• Gear set	(851616)
9	851621	1	• Turntable	
10	872710	1	• Bearing box	(851619)
11	181302	1	• Cup	
12	181301	1	• Inner ring	
13	183750	1	• Cup	
14	183752	1	• Inner ring	
15	(852485)	1	• Lock nut	
16	873094	1	• Sealing ring	Included in gasket kit., (851755)
17	925093	1	• O-ring	Included in gasket kit.
18	940101	6	• Hexagon screw	
19	851622	X	• Adjusting washer	TH=0.10mm
	851623	X	• Adjusting washer	TH=0.15mm
	851624	X	• Adjusting washer	TH=0.35mm
20	851756	2	• Bearing	
21	852190	2	• Lock ring	
22	873098	1	• Sliding sleeve	(851626)
23	(873099)	1	• Shaft	(852527)
24	941835	X	• Shim	TH=0,05mm, D=71mm
	852184	X	• Shim	TH=0,05mm, D=43mm
	84219	X	• Shim	TH=0.10mm
	949776	X	• Shim	TH=0.15mm
	84218	X	• Shim	TH=0.35mm
25	852079	2	• Lock washer	
26	(852311)	2	• Washer	TH=0,40mm
27	852317	2	• Washer	TH=0,80mm
28	852213	2	• Disc spring	
29	852080	6	• Disc spring	
30	851629	4	• Lock ring half	
31	851757	2	• Needle bearing	
32	851661	1	• Shift mechanism	
33	851662	1	• • Bearing housing	
34	897816	1	• • Eccentric piston	
35	851664	1	• • Dog	
36	925065	1	• • O-ring	Included in gasket kit.
37	814184	1	• • Spring	
38	897711	1	• • Hexagon screw	
39	897871	X	• • Shim	TH=0,20mm
40	873291	1	• • Sealing ring	Included in gasket kit., (958838)
41	942871	1	• • Clevis pin	
42	951924	1	• • Spring pin	
43	955296	2	• Hexagon screw	
44	941907	2	• Spring washer	
45	(852319)	1	• Gear set	
46		2	• • Gear	
47		4	• • Washer	
48		18	• • Disc, outer	
49		17	• • Disc, inner	
50		2	• • Thrust washer	
51		1	• • Adjuster bolt	
52		1	• • Bushing	
53	183518	1	• Roller bearing	
54	851705	X	• Adjusting washer	TH=0.10mm
	851706	X	• Adjusting washer	TH=0.15mm
	851707	X	• Adjusting washer	TH=0.35mm

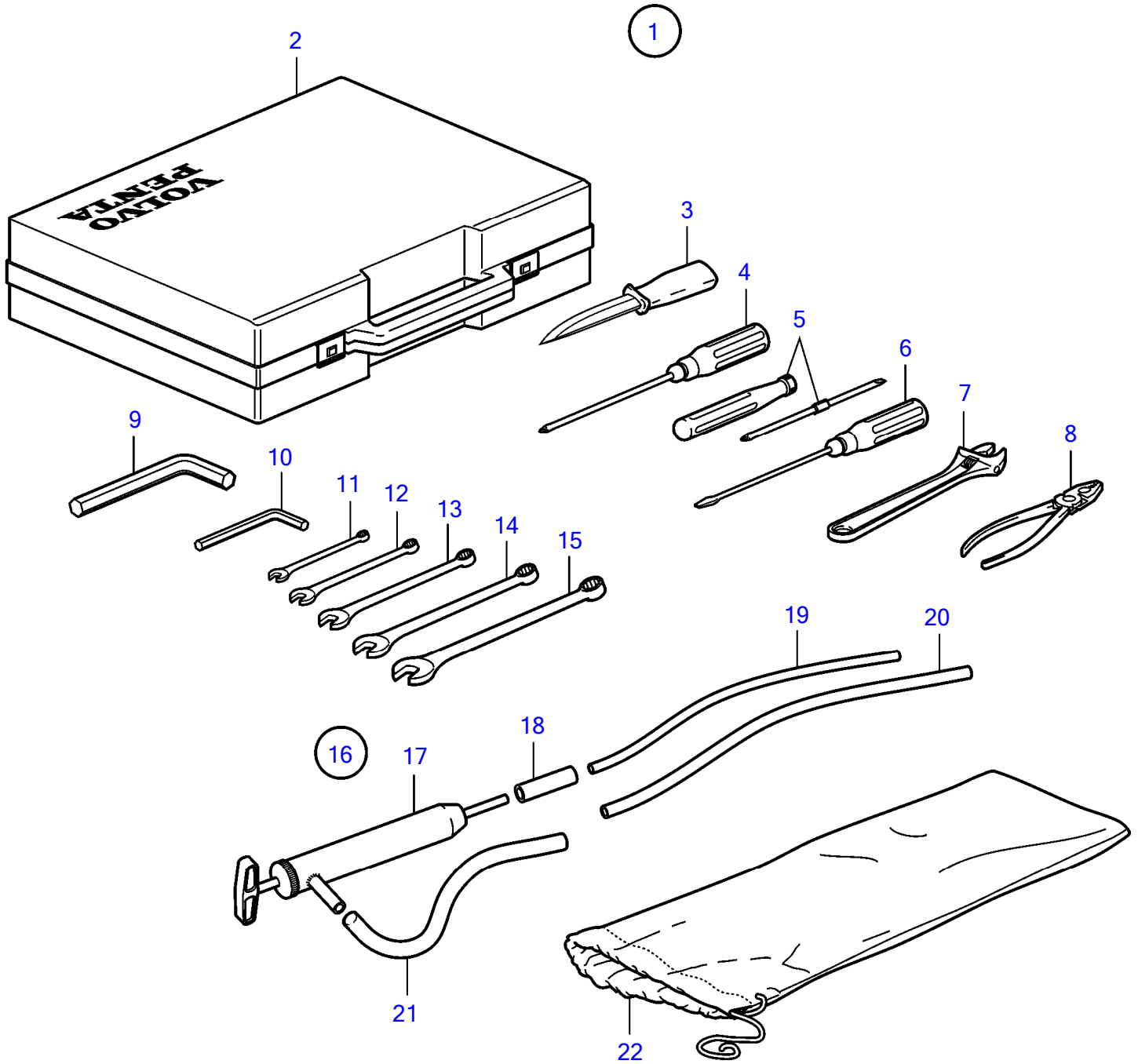
REF	PART NO.	QTY	DESCRIPTION	NOTES
56	941906	6	• Spring washer	
57	851702	X	• Adjusting washer	TH=0.10mm
	851703	X	• Adjusting washer	TH=0.15mm
	851704	X	• Adjusting washer	TH=0.35mm
58	873129	1	• Bearing cover	
59	87655	X	• Shim	TH=0.10mm
	191840	X	• Shim	TH=0.15mm
	87654	X	• Shim	TH=0.35mm
60	960629	1	• Plug	
61	947084	1	• Gasket	Included in gasket kit.
62	946671	4	• Flange screw	
63	925256	1	• O-ring	Included in gasket kit.
64	(873130)	1	• Bearing housing	
65	853940	1	• Oil cooler	
66	943309	2	• O-ring	Included in gasket kit.
67	873212	1	• Pipe connection	
68	955279	1	• Hexagon screw	L=55mm
69	949750	1	• O-ring	Included in gasket kit.
70	941906	1	• Spring washer	
71	851974	1	• Pretensioning sleeve	
72	181302	2	• Cup	
73	181301	2	• Inner ring	
74	873100	1	• Sealing ring	Included in gasket kit.
75	925256	1	• O-ring	Included in gasket kit.
76	946470	2	• Flange screw	L=35mm
	947760	2	• Flange screw	L=40mm
77	965180	2	• Flange screw	L=60mm
78	925062	1	• O-ring	Included in gasket kit.
78A	944138	1	• Sealing ring	Included in gasket kit.
79	852076	1	• Companion flange	
80	947855	1	• Flange lock nut	
81	852168	1	• Bracket	
82	21471054	1	• Bracket	
83	819068	1	• Washer	
84	940090	2	• Washer	
85	955246	2	• Hexagon screw	
86	946577	2	• Lock nut	
87	852363	1	• Intermediate lever	
88	955270	2	• Hexagon screw	
89	955948	2	• Toothed washer	
90	955781	2	• Hexagon nut	
91	833462	1	• Cube	
92	955892	1	• Washer	
93	17276	1	• Split pin	
94	873087	1	• Dipstick	
95	925055	1	• O-ring	
96	875704	1	Gasket kit	See group 99



9010



11583



9236

CLICK HERE TO **DOWNLOAD** THE COMPLETE MANUAL

- Thank you very much for reading the preview of the manual.
- You can download the complete manual from: www.heydownloads.com by clicking the link below



- Please note: If there is no response to CLICKING the link, please download this PDF first and then click on it.

CLICK HERE TO **DOWNLOAD** THE COMPLETE MANUAL