

CLICK HERE TO **DOWNLOAD** THE COMPLETE MANUAL

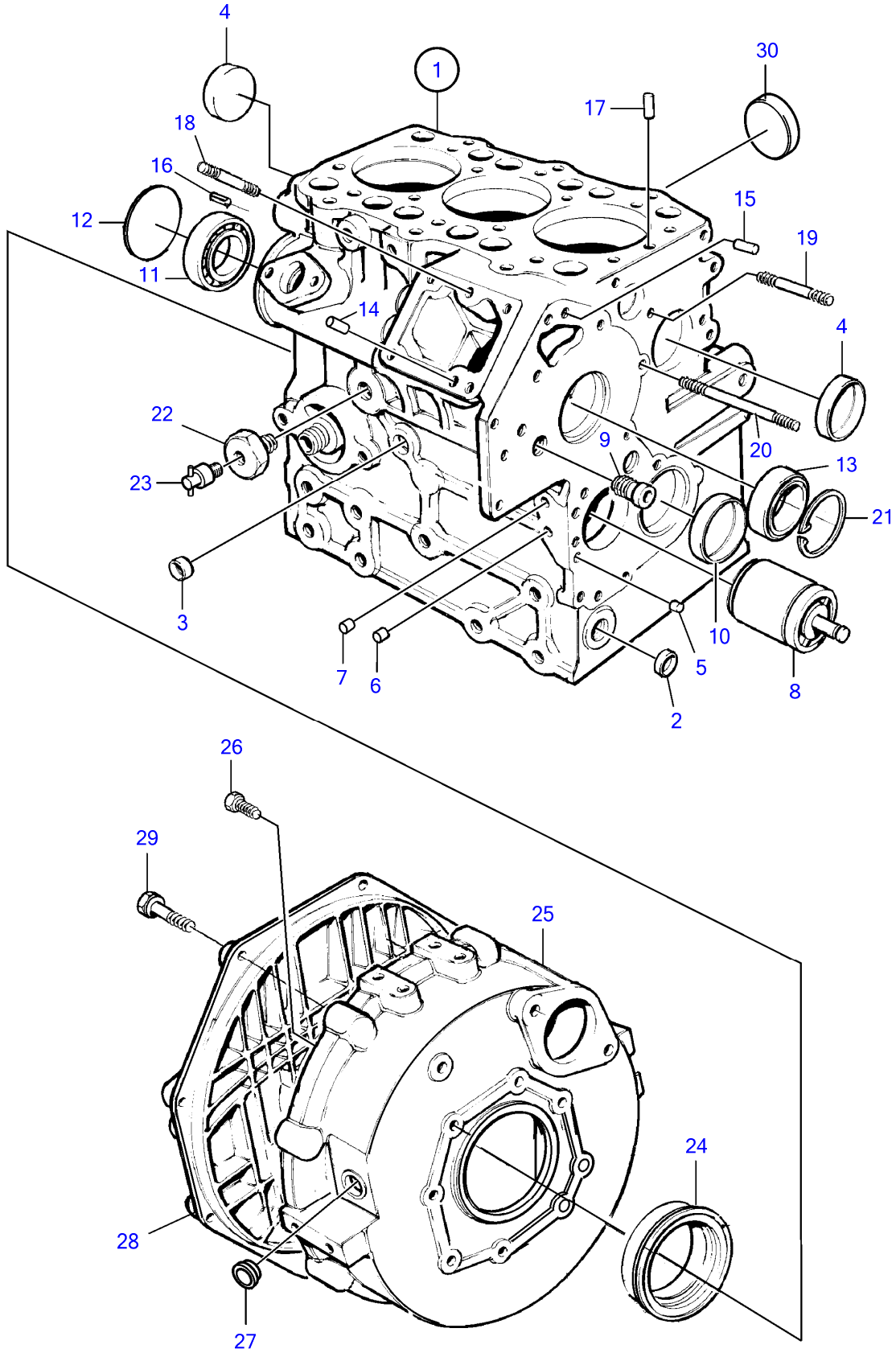
- Thank you very much for reading the preview of the manual.
- You can download the complete manual from: [www.heydownloads.com](http://www.heydownloads.com) by clicking the link below

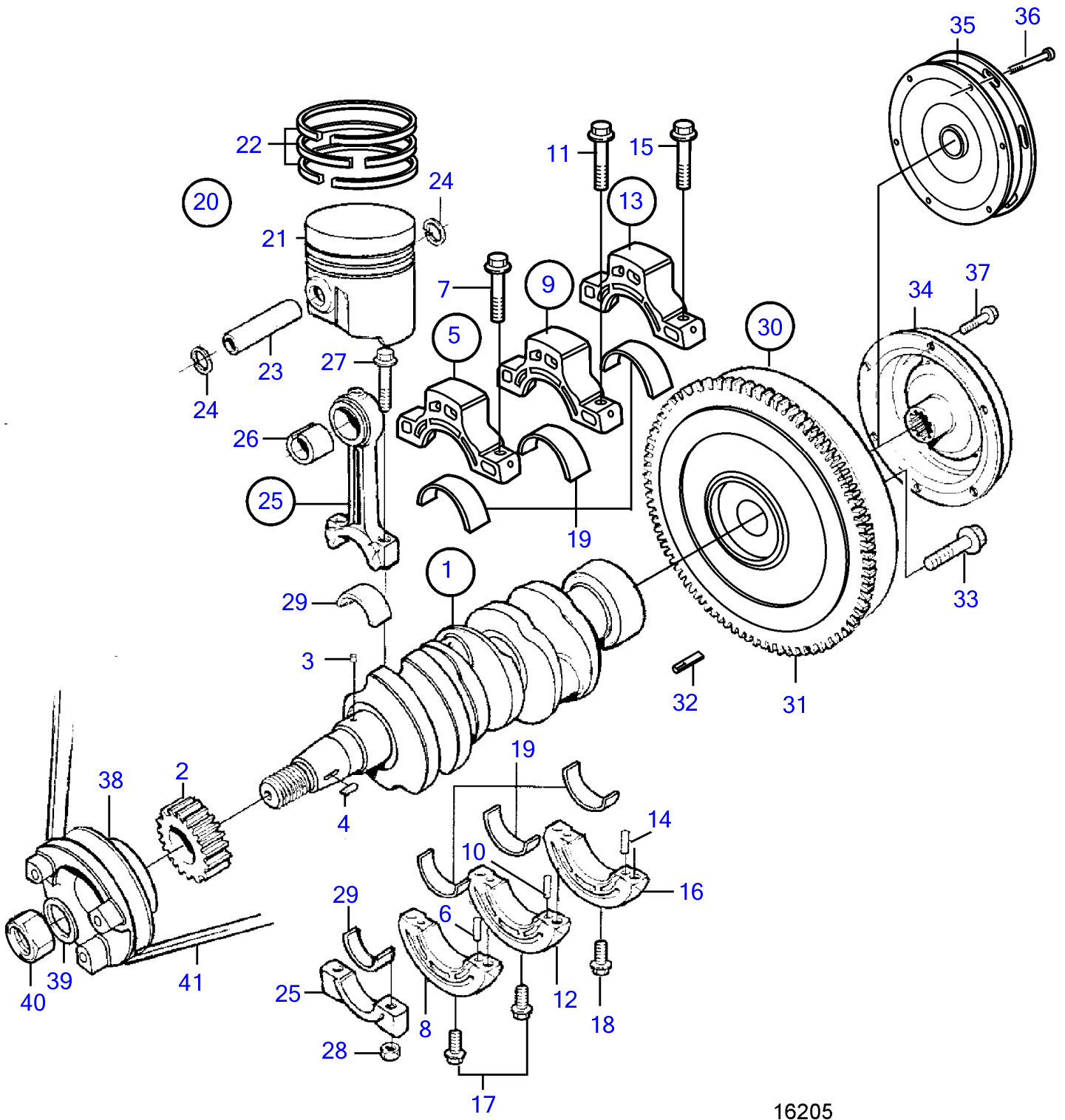


- Please note: If there is no response to CLICKING the link, please download this PDF first and then click on it.

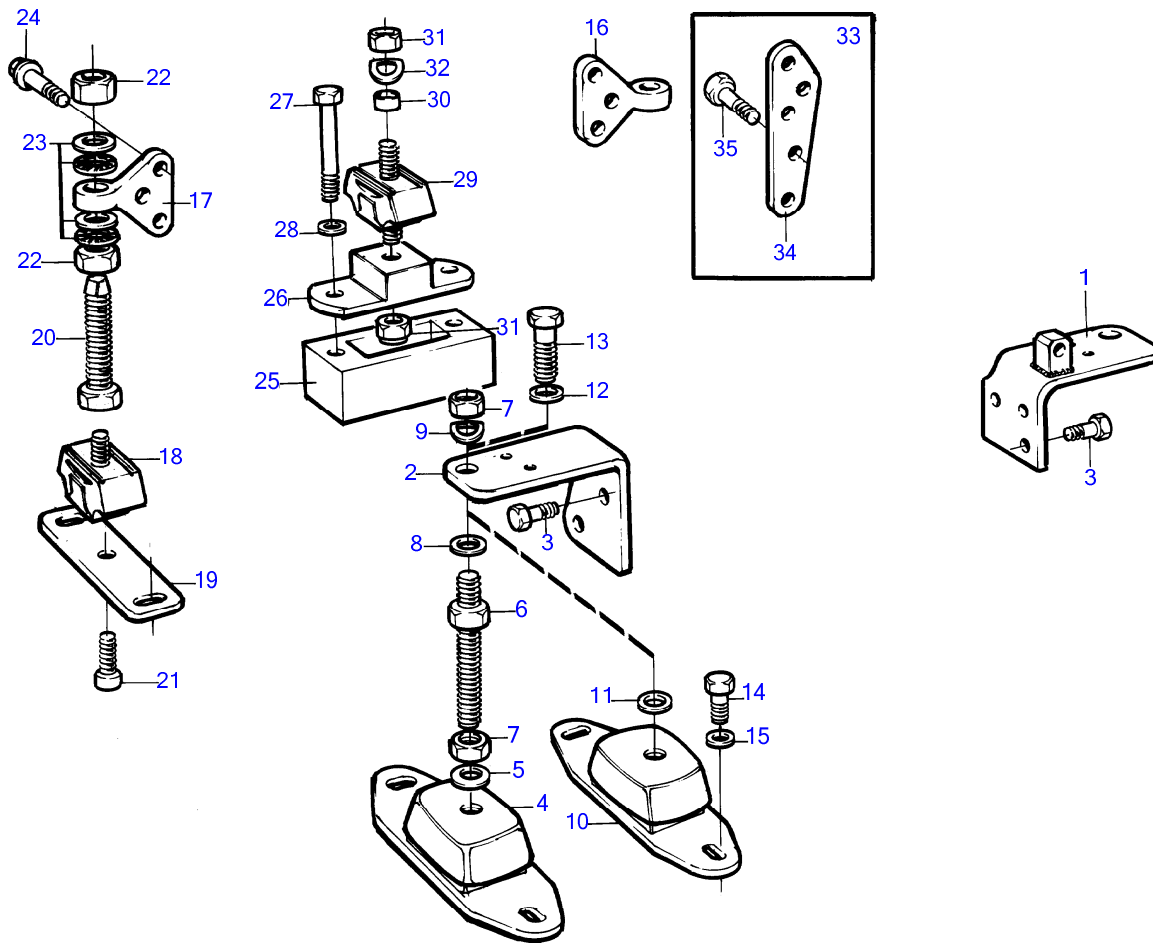
CLICK HERE TO **DOWNLOAD** THE COMPLETE MANUAL

MD2030



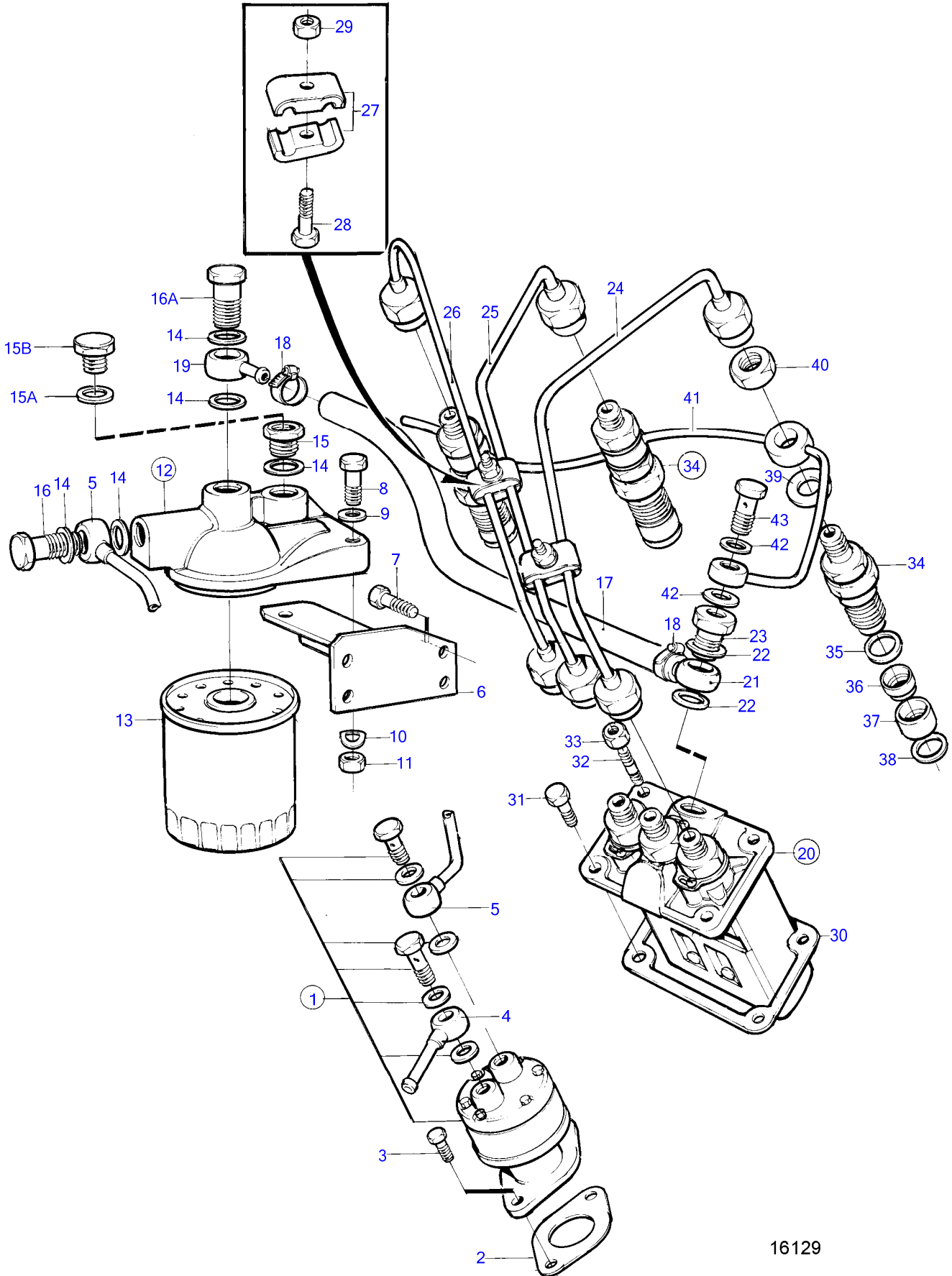


16205

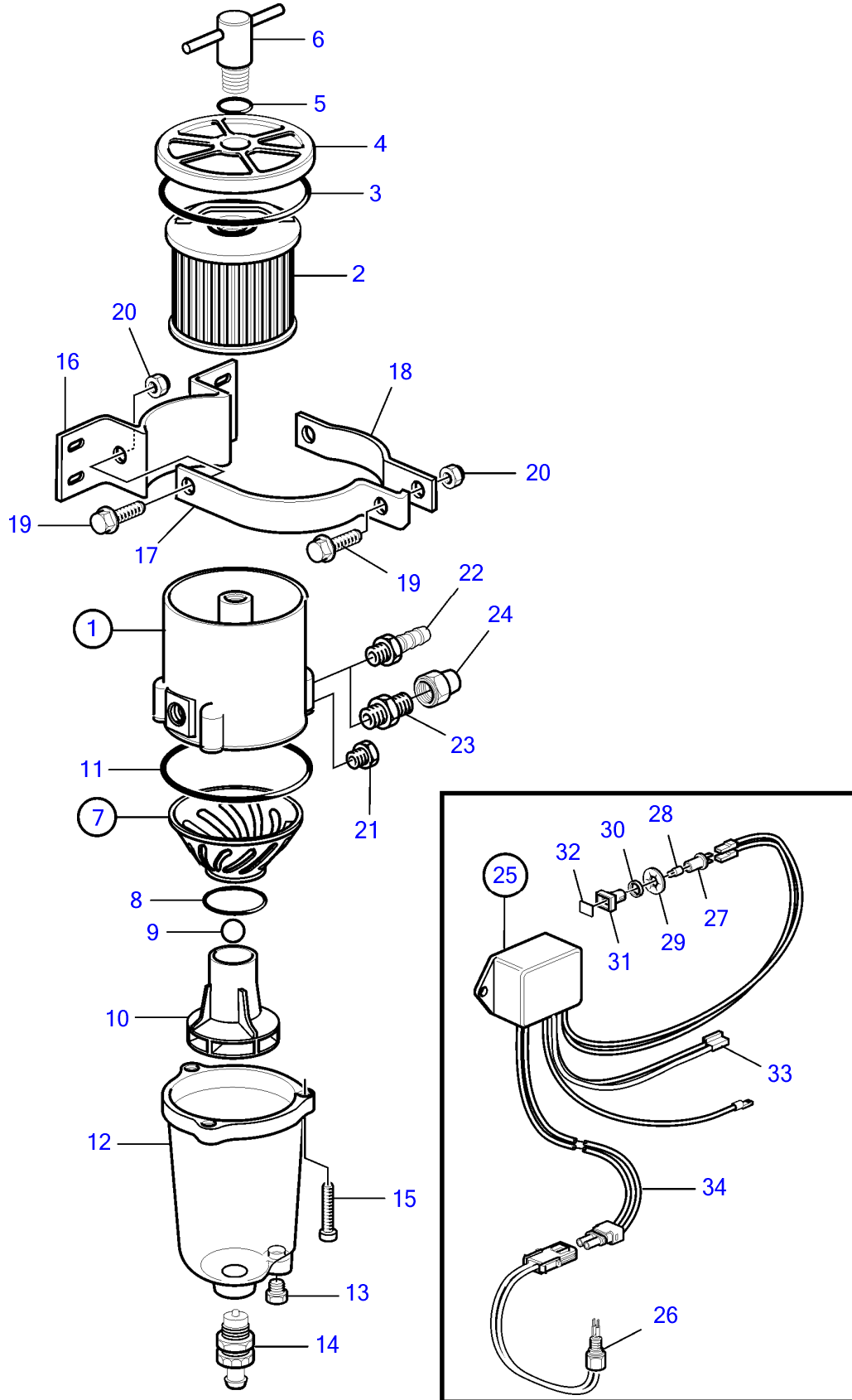


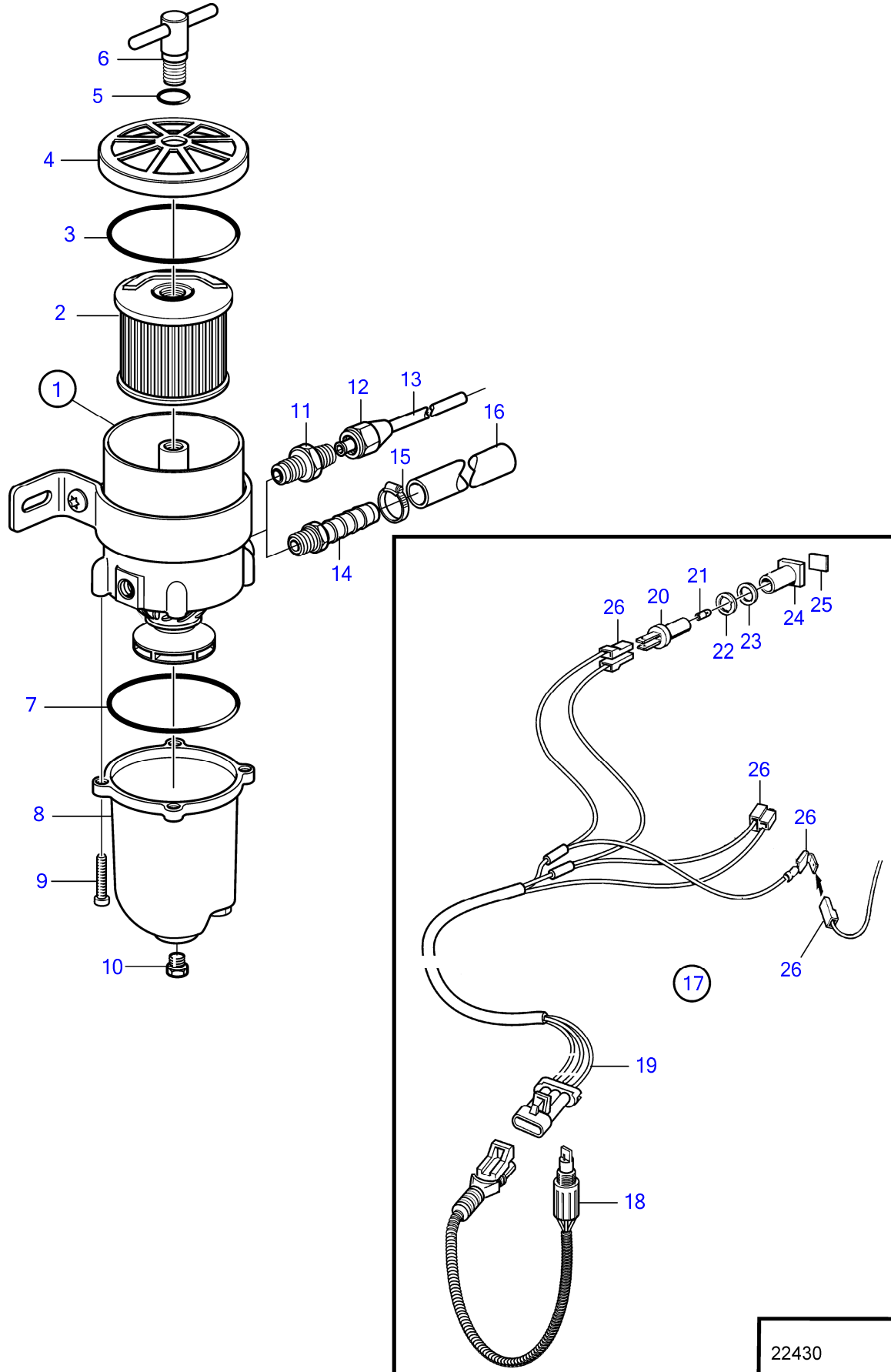
11674

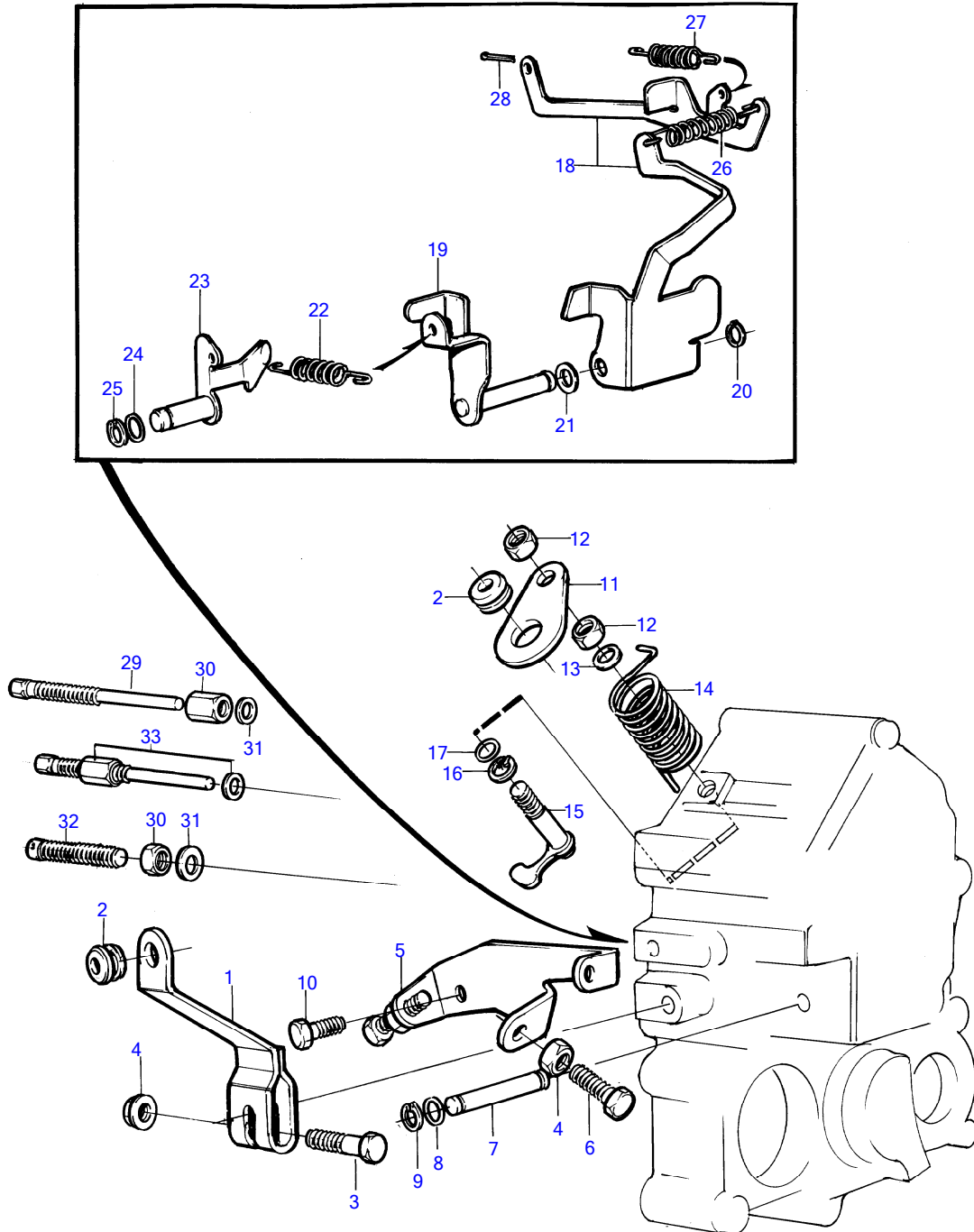
MD2030



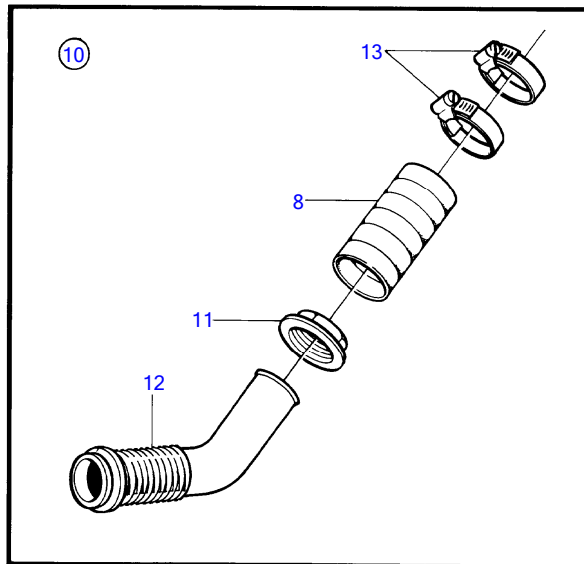
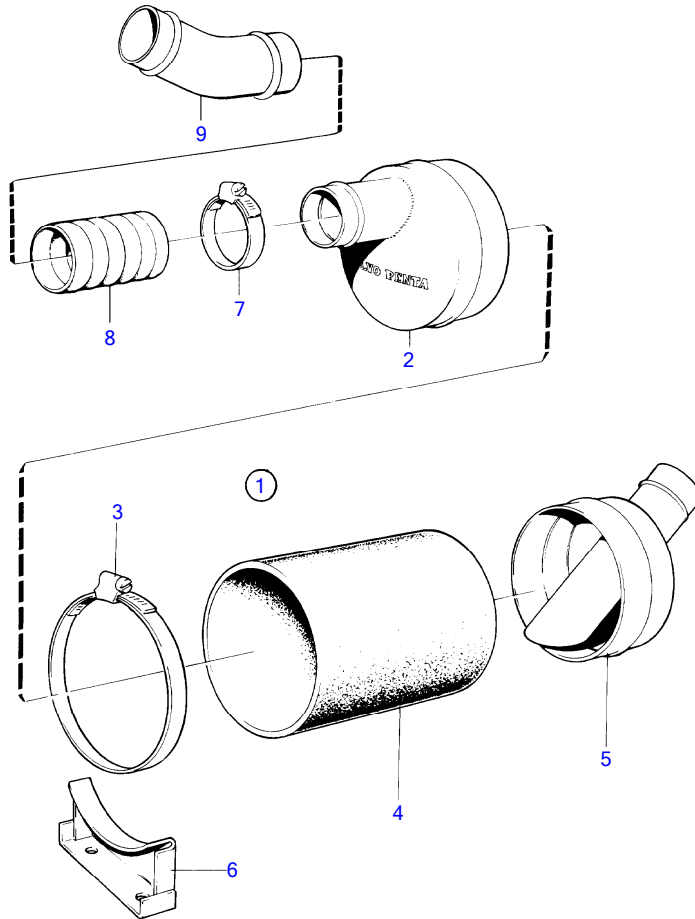
16129



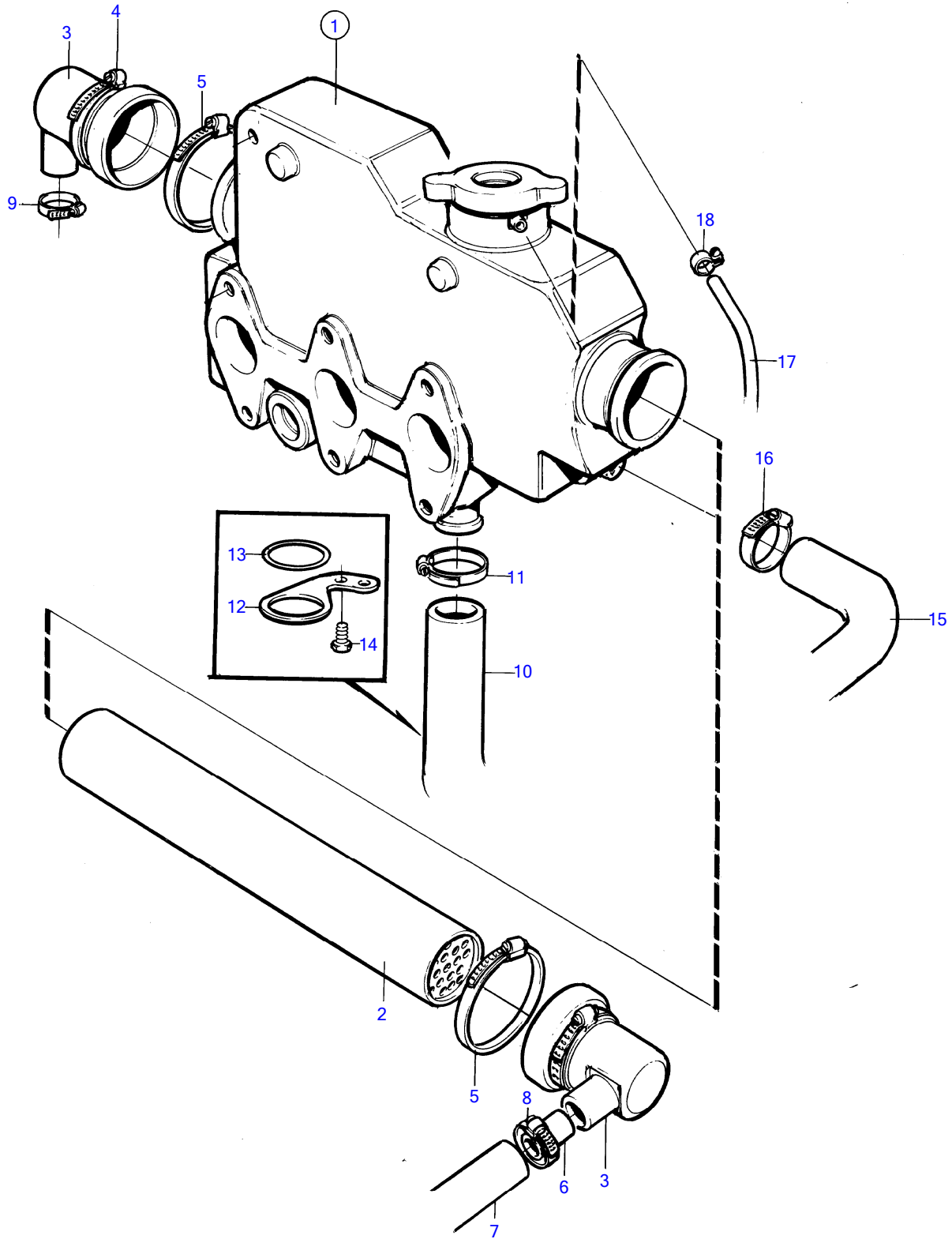




15095

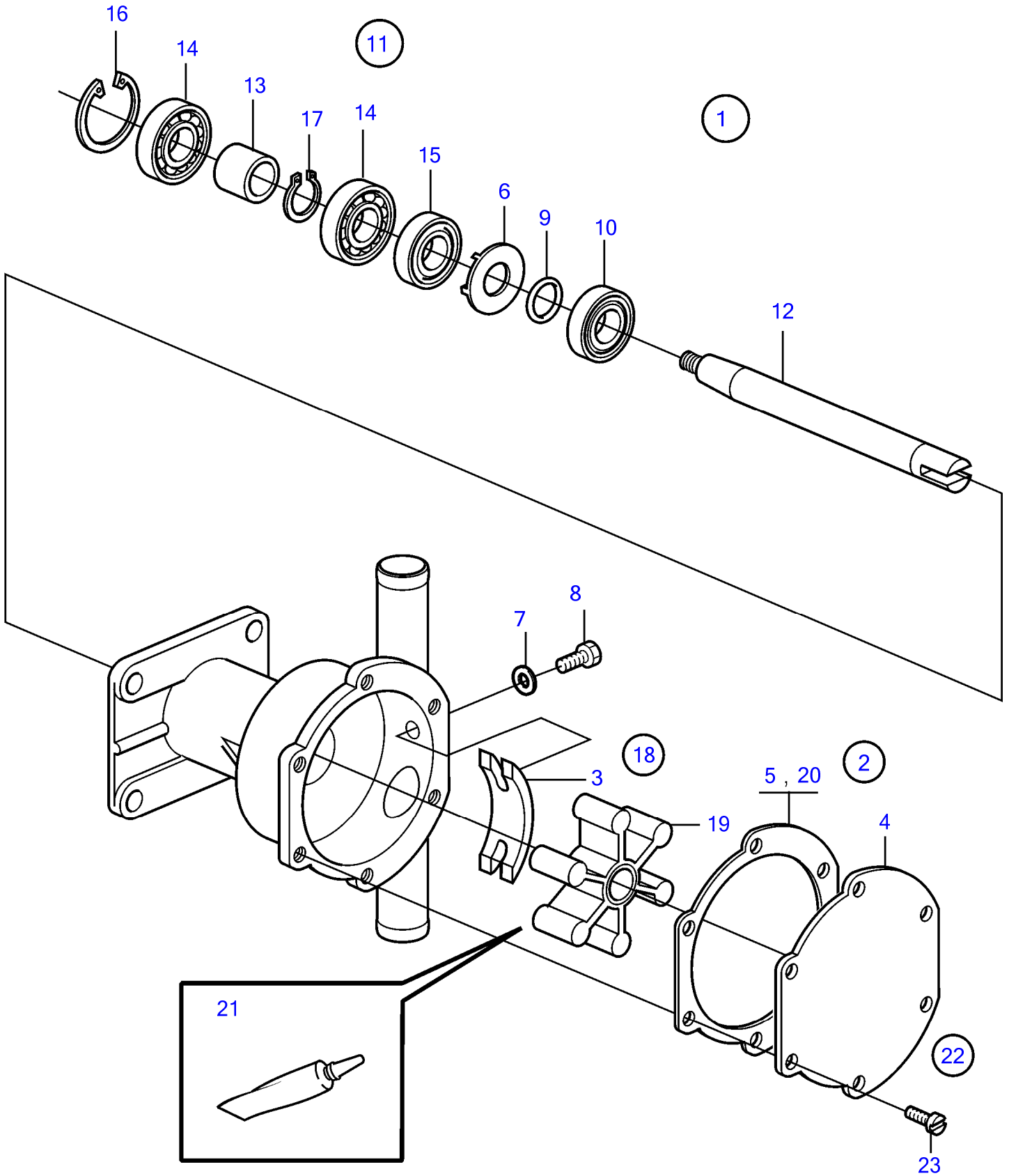


MD2030



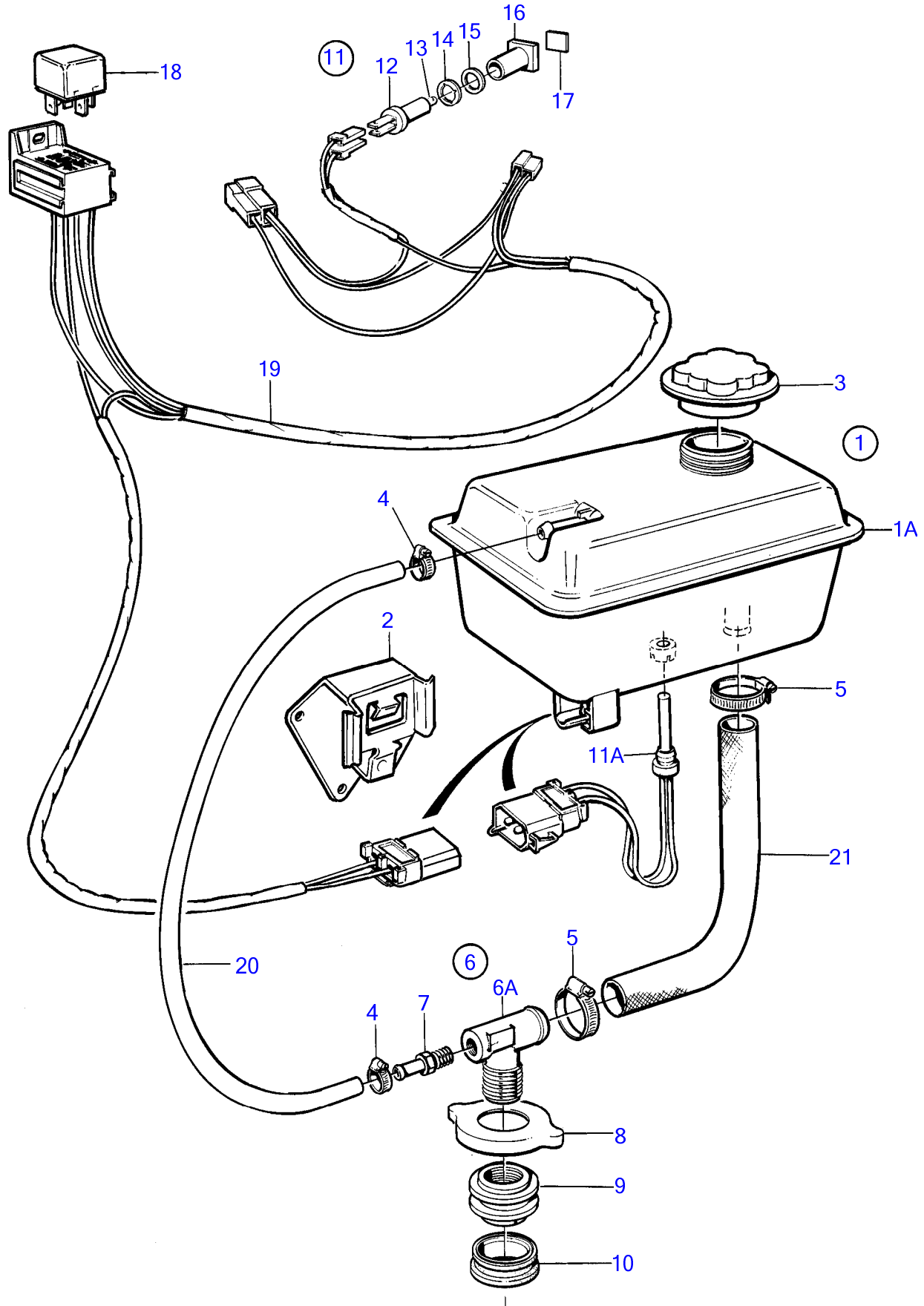
11695

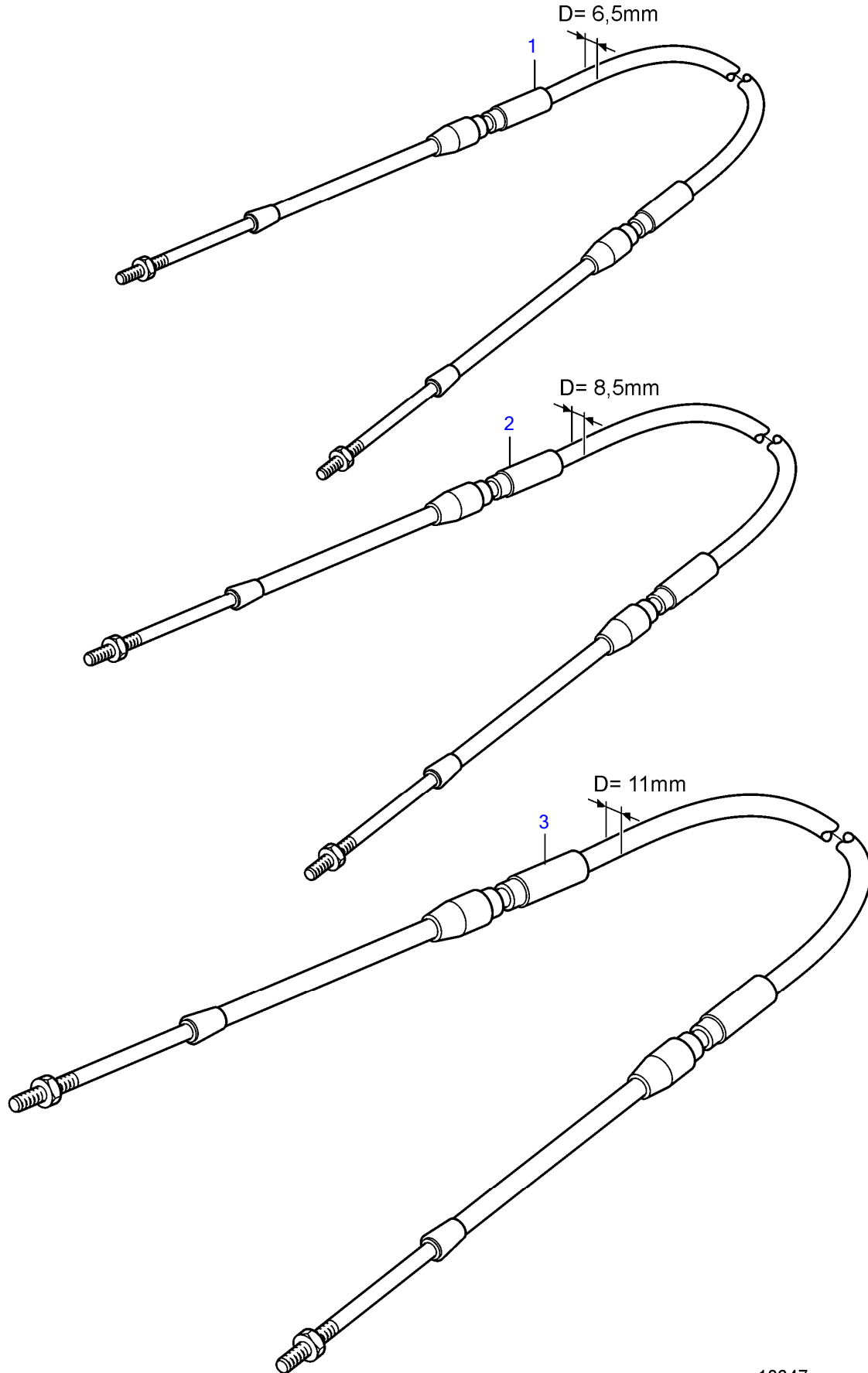
MD2030, MD2030B

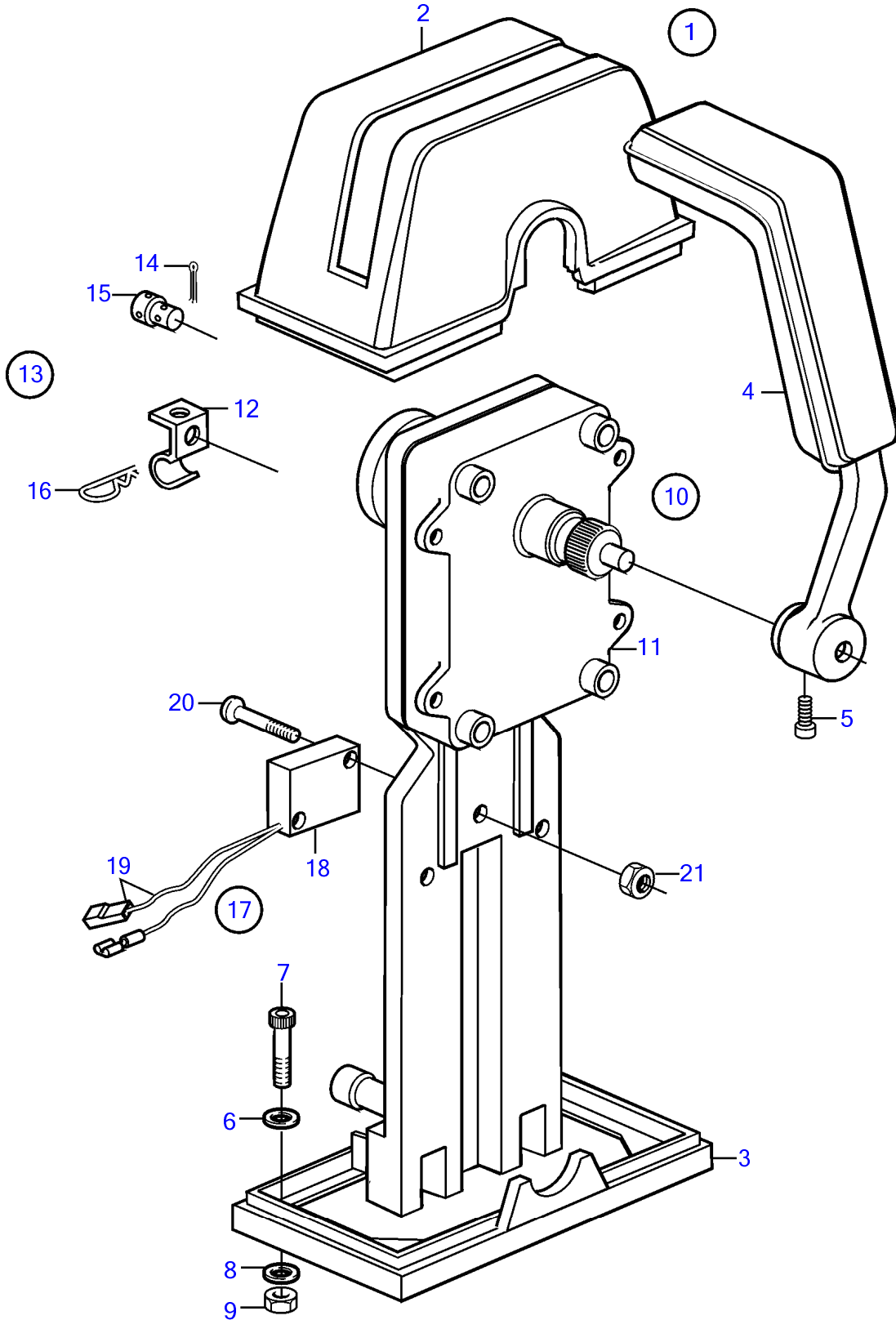


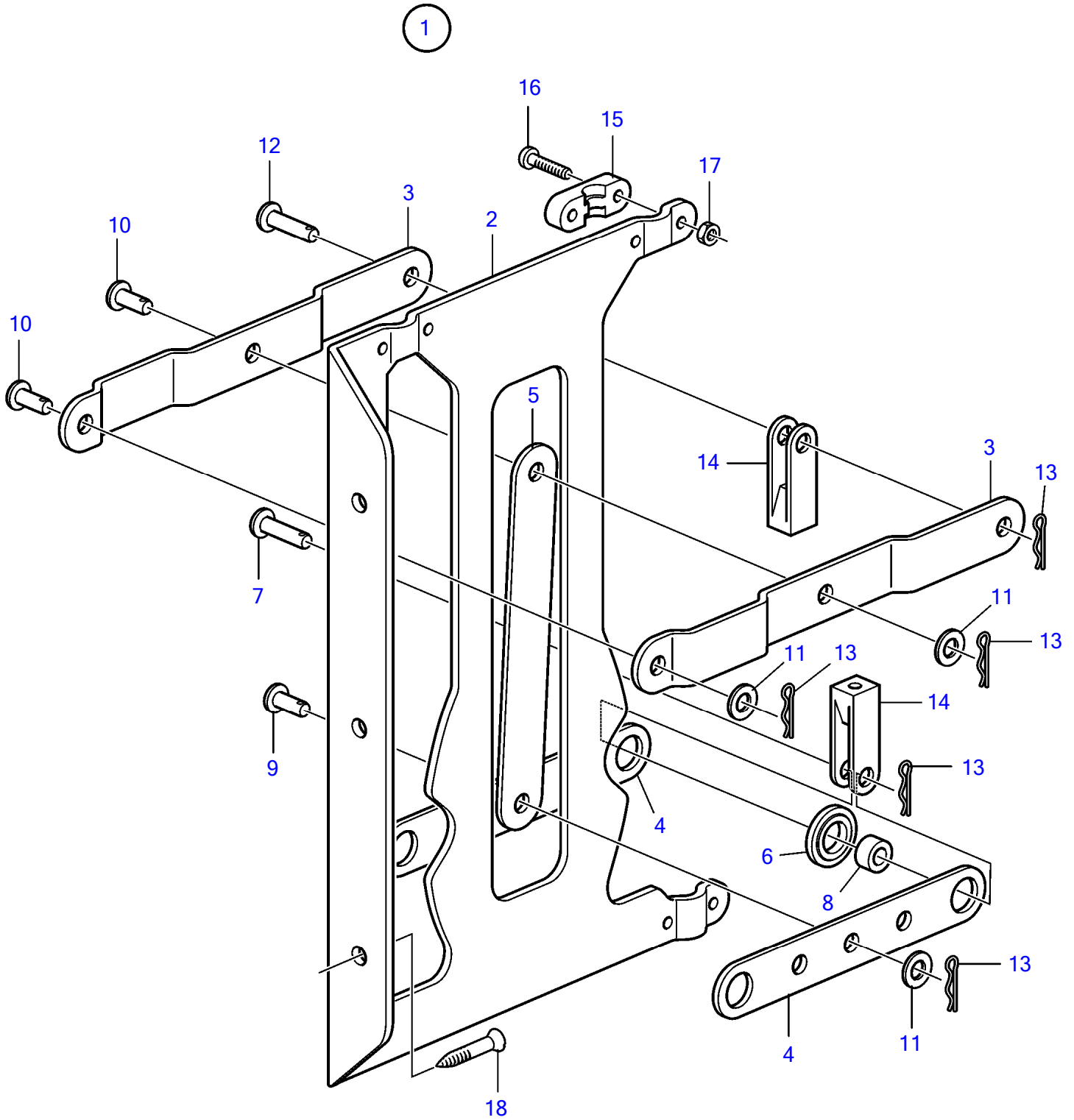
26644

MD2030B

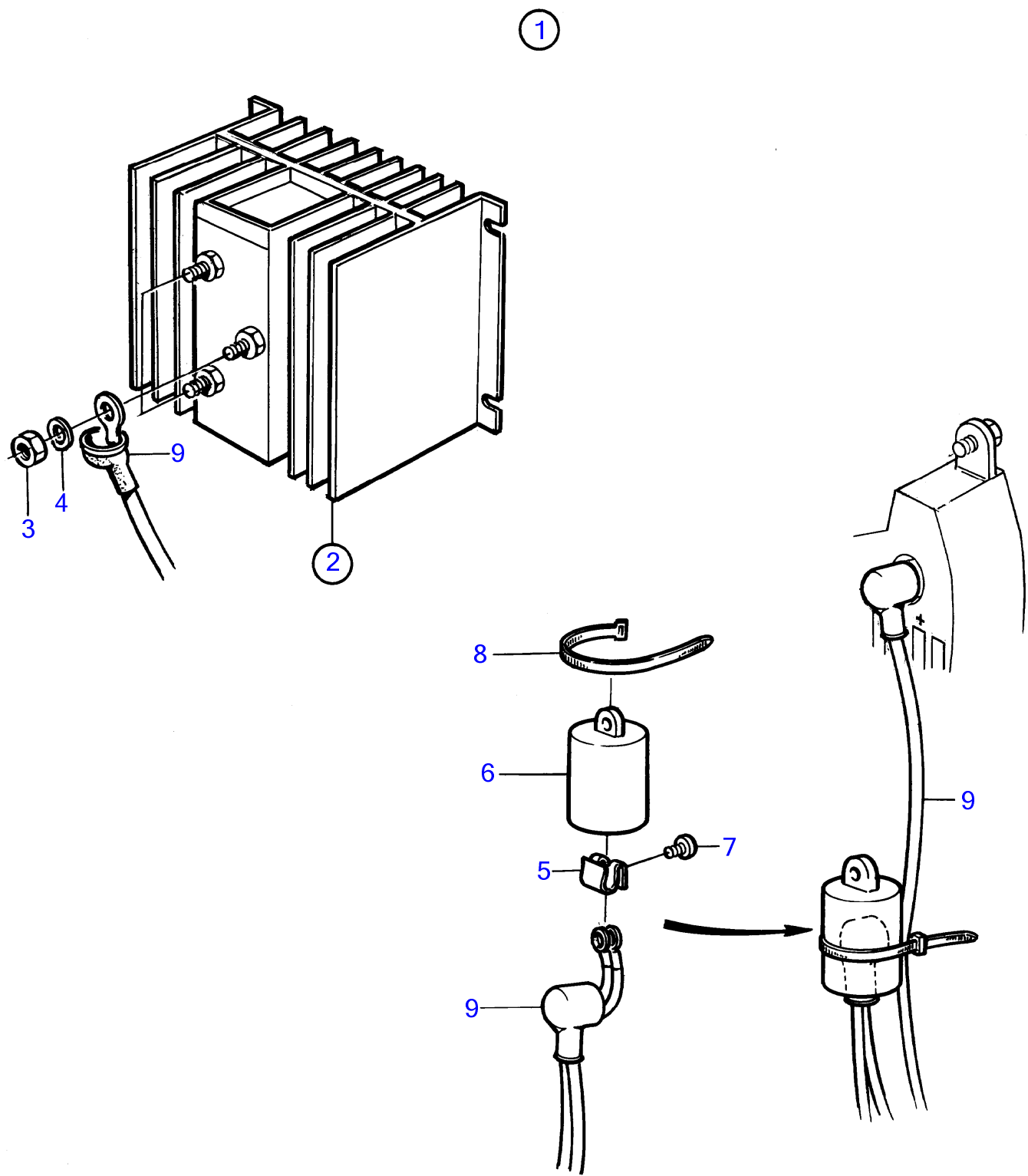








23103



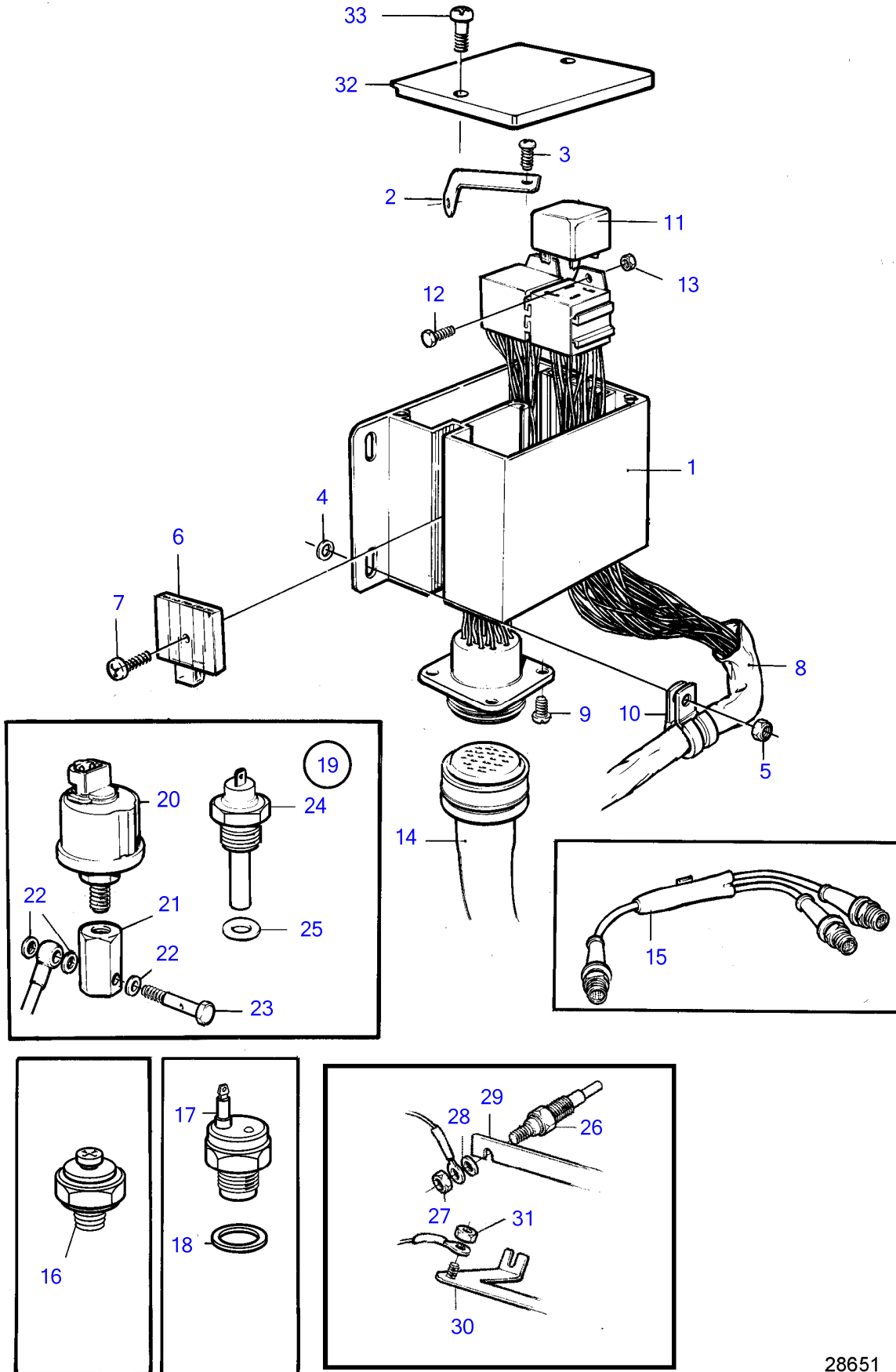
CLICK HERE TO **DOWNLOAD** THE COMPLETE MANUAL

- Thank you very much for reading the preview of the manual.
- You can download the complete manual from: [www.heydownloads.com](http://www.heydownloads.com) by clicking the link below

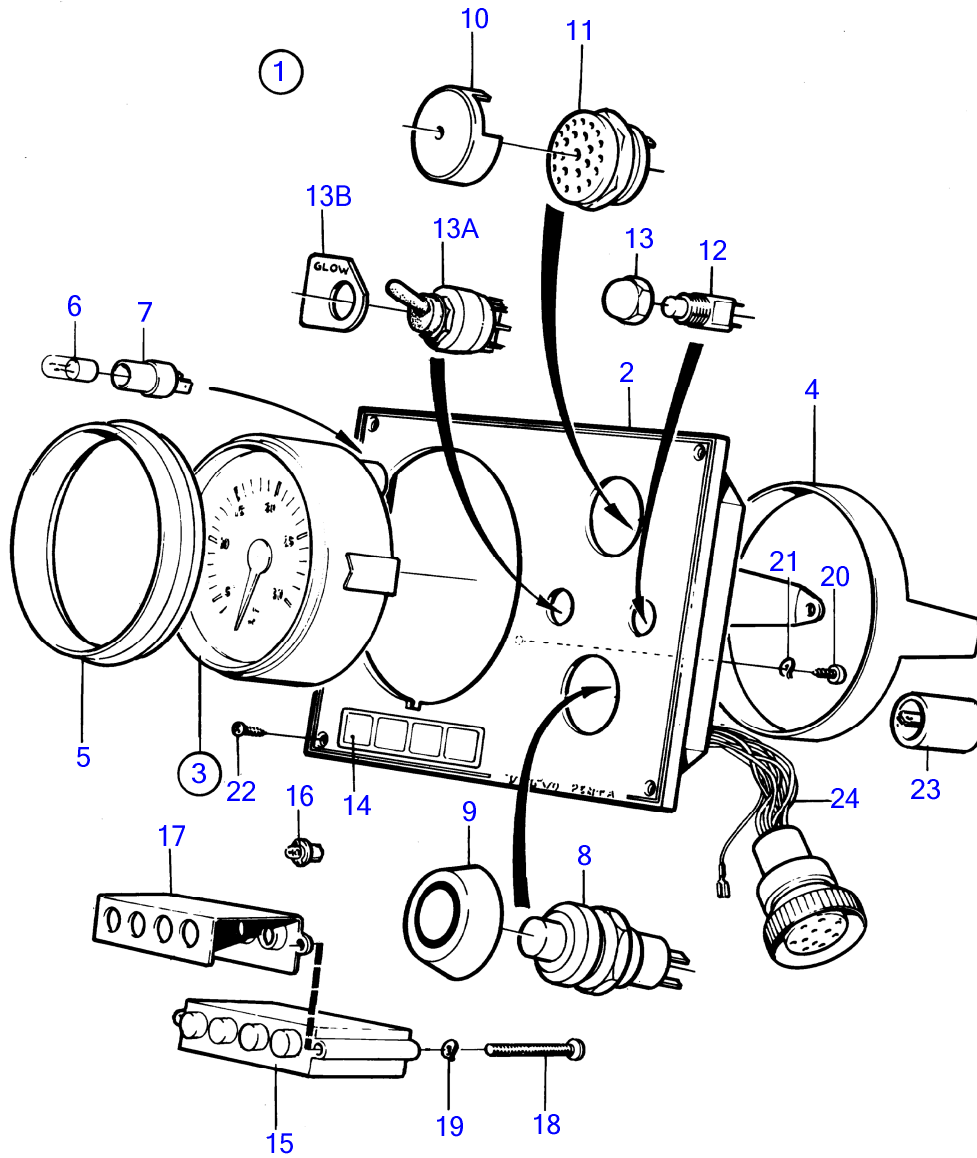


- Please note: If there is no response to CLICKING the link, please download this PDF first and then click on it.

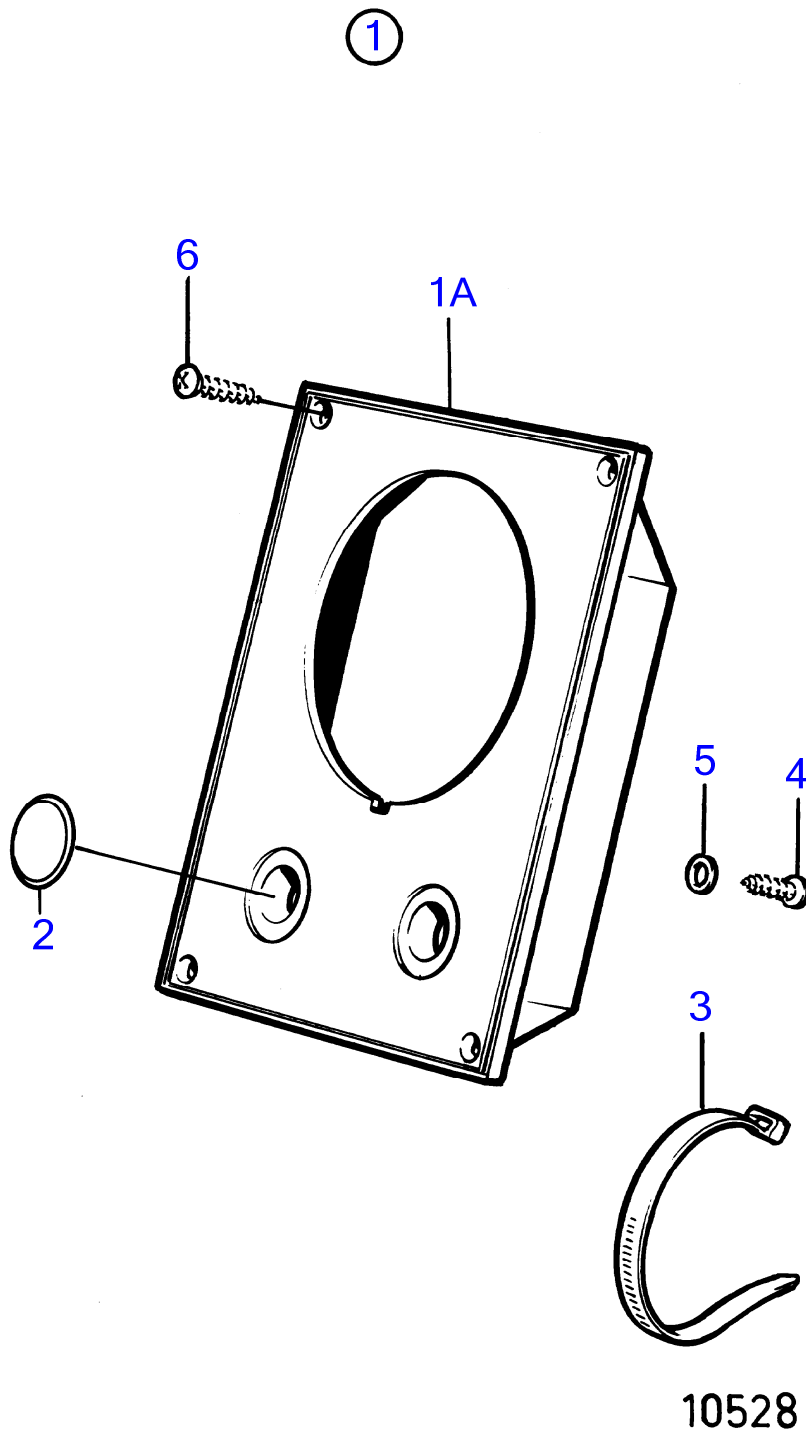
CLICK HERE TO **DOWNLOAD** THE COMPLETE MANUAL

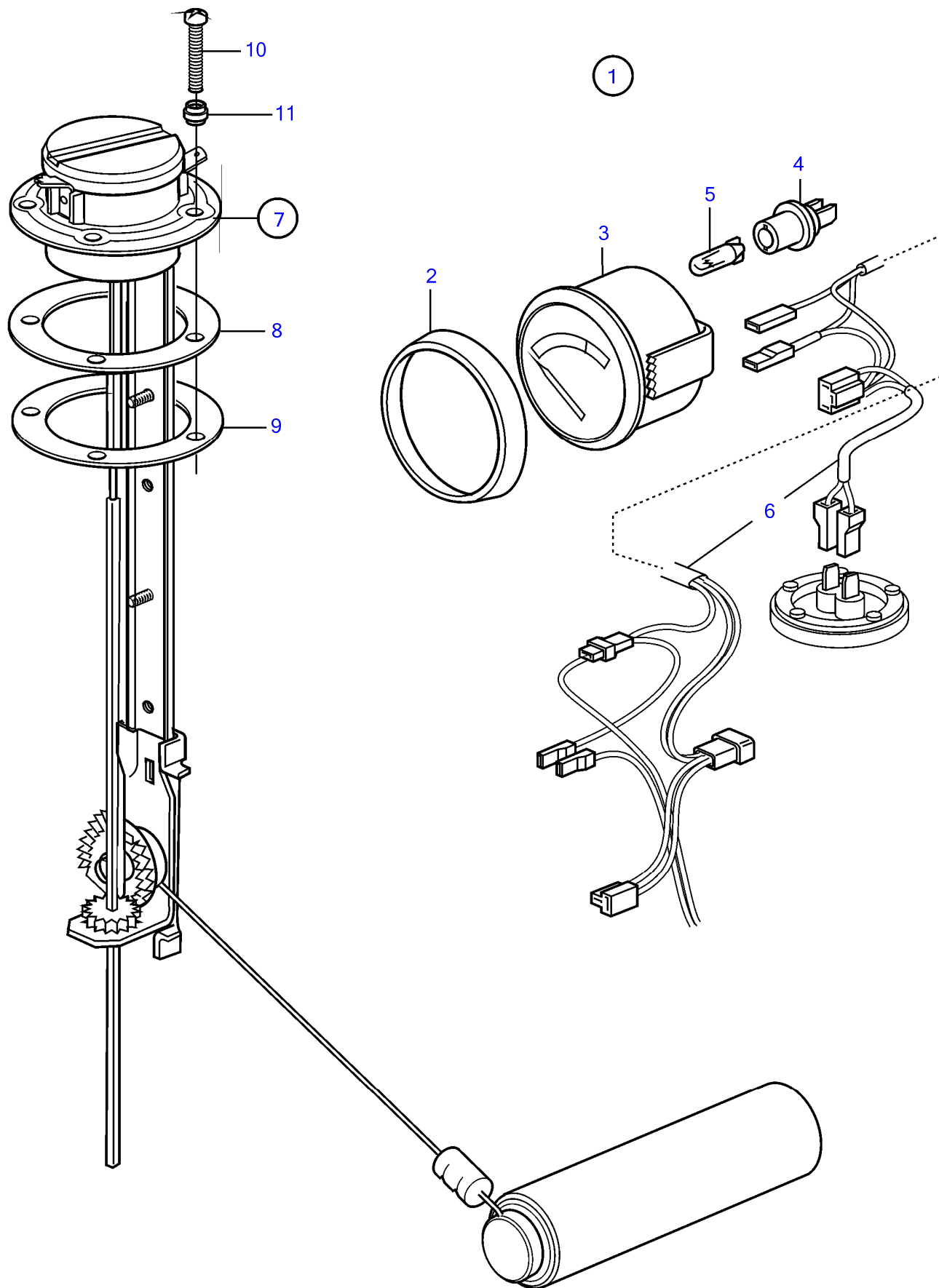


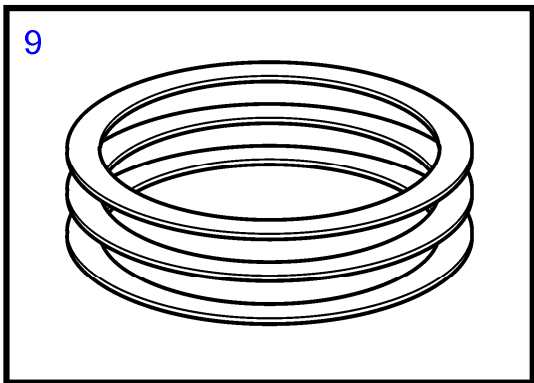
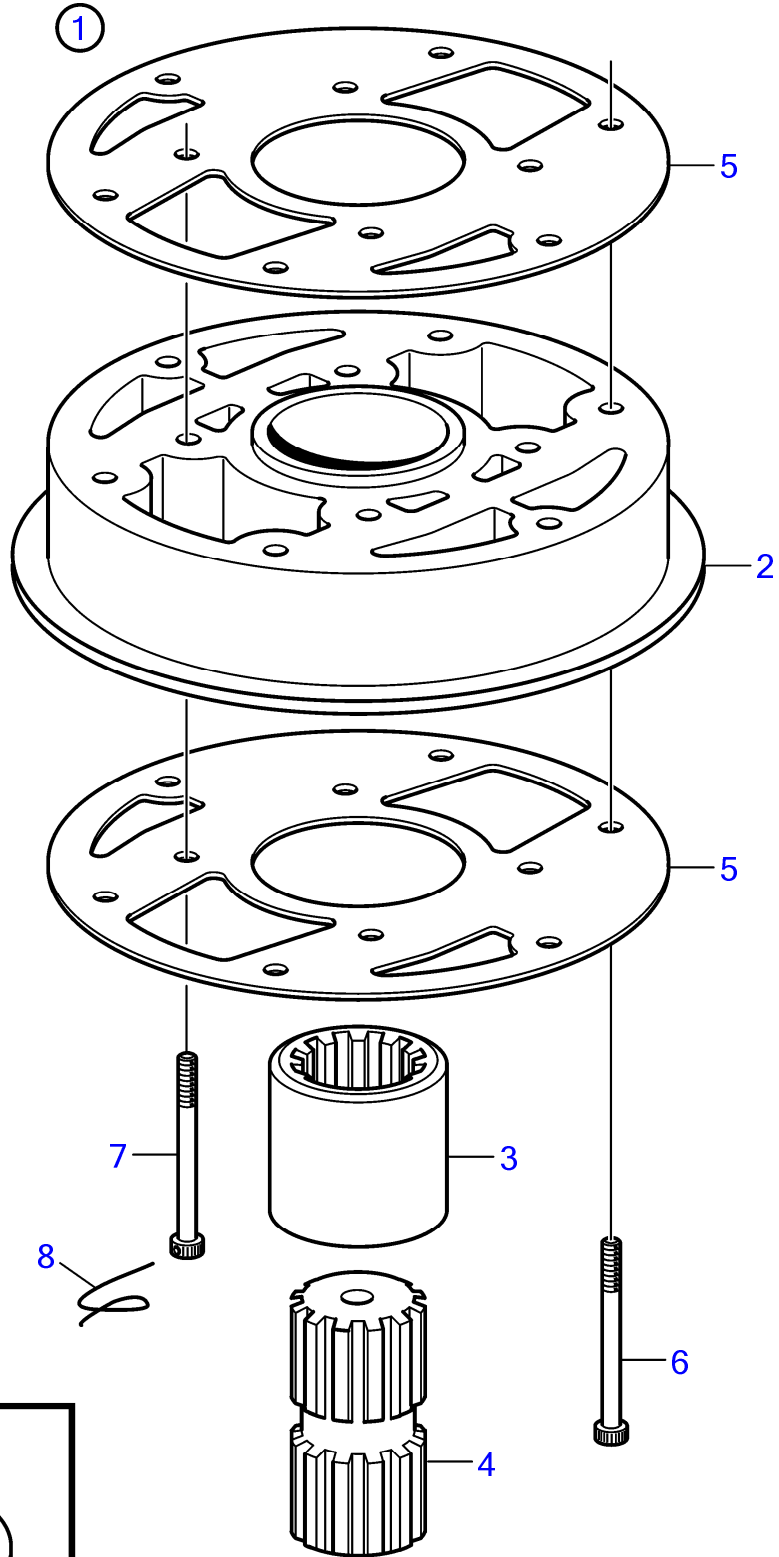
28651



15074







MD2030B

REF	PART NO.	QTY	DESCRIPTION	NOTES
1	3858955	1	Hub kit	S-drive (3858284)
2	3583424	1	Hub kit	Shaft 25mm (3581262)
	3583425	1	Hub kit	Shaft 30mm (3581263)
	3583426	1	Hub kit	Shaft 1" (3581484)
	3583427	1	Hub kit	Shaft 1 1/4" (3581485)
3	3583382	1	Propeller blade kit	Left 14x9 (3581249)
	3583383	1	Propeller blade kit	Left 15x9 (3581250)
	3583384	1	Propeller blade kit	Left 15x10 (3581251)
	3583385	1	Propeller blade kit	Left 16x10 (3581252)
	3583386	1	Propeller blade kit	Left 16x11 (3581253)
	3583387	1	Propeller blade kit	Left 17x11 (3581254)
	3583388	1	Propeller blade kit	Left 17x12 (3581255)
	3583389	1	Propeller blade kit	Left 18x12 (3581256)
	3583390	1	Propeller blade kit	Left 18x13 (3581257)
	3583391	1	Propeller blade kit	Left 18x14 (3581258)
	3583392	1	Propeller blade kit	Left 18x15
	3584031	1	Propeller blade kit	Left 18x16
	3583393	1	Propeller blade kit	Left 19x16
	3583409	1	Propeller blade kit	Right 14x7
	3583410	1	Propeller blade kit	Right 14x8
	3583411	1	Propeller blade kit	Right 14x9 (3581807)
	3583412	1	Propeller blade kit	Right 15x9 (3581808)
	3583413	1	Propeller blade kit	Right 15x10 (3581809)
	3583414	1	Propeller blade kit	Right 16x10 (3581810)
	3583415	1	Propeller blade kit	Right 16x11 (3581811)
	3583416	1	Propeller blade kit	Right 17x11 (3581812)
	3583417	1	Propeller blade kit	Right 17x12 (3581813)
	3583418	1	Propeller blade kit	Right 18x12 (3581814)
	3583419	1	Propeller blade kit	Right 18x13 (3581815)
	3583420	1	Propeller blade kit	Right 18x14 (3581816)
4	3584466	1	Propeller nut	Included in hub kit, (3851993)
5	3851994	1	Lock washer	Included in hub kit
6	946730	1	Hexagon screw	Included in hub kit
7	3581243	3	Shaft	Included in hub kit
8	963695	3	Hex. socket screw	Included in hub kit
9	948000	3	Set screw	Included in hub kit
10	3858399	1	Zinc anode kit, Zink	Included in hub kit, For use in saltwater
	23974203	1	Anode kit, Aluminium	For use in Salt and Brackish water
	3858400	1	Magnesium anode kit, Magnesium	For use in freshwater
11	963677	3	• Hex. socket screw	
12	1161053	1	Locking fluid	10ml, Included in hub kit
13	828250	1	Lubricating grease	25G, Included in propeller blade kit
14	873473	1	Nut	M16
	873486	1	Nut	M20
15	873475	1	Tab washer	M16
	873488	1	Tab washer	M20

MD2030B

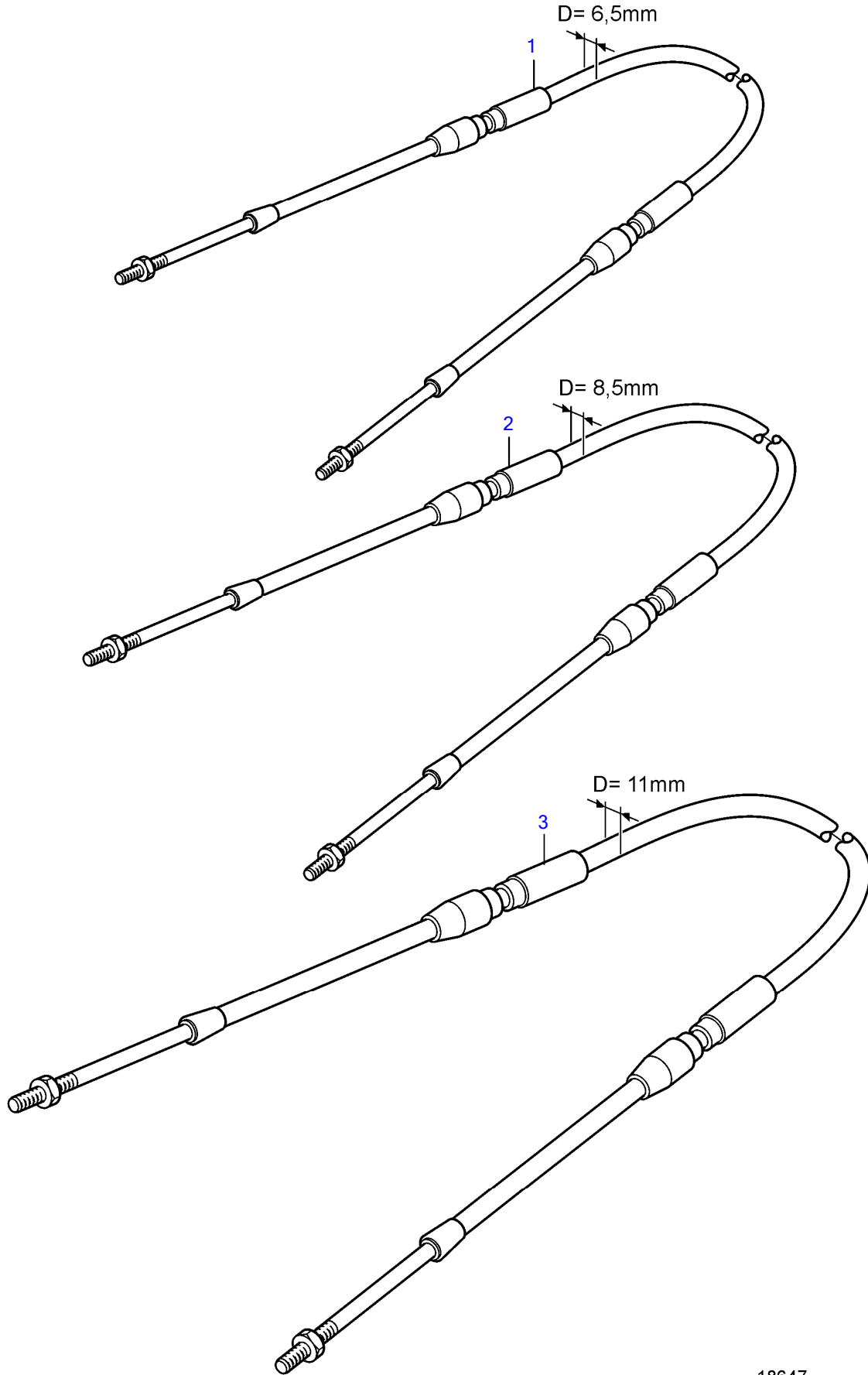
REF	PART NO.	QTY	DESCRIPTION	NOTES
1	850261	1	Propeller	Left 14x7
	853346	1	Propeller	Left 14x8
	850341	1	Propeller	Left 14x9
	3583867	1	Propeller	Left 14x11
	3583868	1	Propeller	Left 15x11
	850342	1	Propeller	Left 16x11
	852116	1	Propeller	Left 16x13
	852510	1	Propeller	Left 17x14
	853583	1	Propeller	Left 17x16
	3583578	1	Propeller	Left 17x17
	889658	1	Propeller	Left 19x17
2	850658	1	Propeller	Left 14x9
	851419	1	Propeller	Left 14x11
	850659	1	Propeller	Left 14x12
	851988	1	Propeller	Left 15x12
	850672	1	Propeller	Left 15x13
	852017	1	Propeller	Left 16x11
	873369	1	Propeller	Left 17x12
	852117	1	Propeller	Left 17x13
	853588	1	Propeller	Left 17x14
	873368	1	Propeller	Left 17x15
	3583577	1	Propeller	Left 17x16
	889659	1	Propeller	Left 18x16
3	850396	1	Propeller cone kit	Replaced by 22629322
4	851773	1	• Screw	
5	850888	1	• Plastic washer	
6	22629322	1	Propeller nut	Replaced by 23749222
7	967519	1	• Hex. socket screw	
8	23749222	1	Propeller nut	
9	22427131	1	• Propeller nut	
10	23680979	1	• Lock plate	
11	23748333	1	• Hollow screw	



MD2030, MD2030B

REF	PART NO.	QTY	DESCRIPTION	NOTES
1	806383	1	Clutch flange	Only center drilled 15mm. Max 30mm shaft.
2	907599	1	• Taper pin	
3	970949	4	• Hexagon screw	L=35mm (955319)
4	959239	4	• Hex. socket screw	L=30mm
5	941908	4	• Spring washer	
6	971071	4	• Hexagon nut	(955783)

REF	PART NO.	QTY	DESCRIPTION	NOTES
1	(850936)	1	Steering wheel	
2		1	• Steering wheel hub	
3	(828943)	1	• Steering wheel pad	
4	(1140660)	1	• Emblem	(850938)
5	3883509	1	Mounting kit	90° white (853182)
	3818098	1	Mounting kit	90° black (1140023)
	3883508	1	Mounting kit	70° white (853183)
	3818096	1	Mounting kit	
6	(3851613)	1	• Washer	
7	955793	1	• Hexagon nut	
8	965325	2	• Cross recessed screw	
9		1	• Cover	
10	(3851612)	1	• Screw	
11	(3851611)	2	• Bearing	
12	955298	4	• Hexagon screw	
13	955894	4	• Washer	
14	946036	4	• Lock nut	
15	160807	1	• Woodruff key	
16		1	• Steering head	
17	3818019	1	Steering gear	(853181)
18	3851614	1	• Nut	
19	3840244	1	Steering cable	L=2,00m
	3840245	1	Steering cable	L=2,25m
	3840246	1	Steering cable	L=2,50m
	3840247	1	Steering cable	L=2,75m
	3840248	1	Steering cable	L=3,00m
	3840249	1	Steering cable	L=3,25m
	3840250	1	Steering cable	L=3,50m
	3840251	1	Steering cable	L=3,75m
	3840252	1	Steering cable	L=4,00m
	3840253	1	Steering cable	L=4,25m
	3840254	1	Steering cable	L=4,50m
	3840255	1	Steering cable	L=4,75m
	3840256	1	Steering cable	L=5,00m
	3840257	1	Steering cable	L=5,25m
	3840258	1	Steering cable	L=5,50m
	3840259	1	Steering cable	L=5,75m
	3840260	1	Steering cable	L=6,00m
	3840261	1	Steering cable	L=6,25m
	3840262	1	Steering cable	L=6,50m
	3840263	1	Steering cable	L=6,75m
	3840264	1	Steering cable	L=7,00m
	3840265	1	Steering cable	L=7,25m
	3840266	1	Steering cable	L=7,50m
	3840267	1	Steering cable	L=7,75m
	3840268	1	Steering cable	L=8,00m
	3840270	1	Steering cable	L=8,25m
	3840272	1	Steering cable	L=8,50m
	3840273	1	Steering cable	L=8,75m
	3840274	1	Steering cable	L=9,00m
20	(853291)	1	Ds unit	
21	(853387)	1	• Cable	
22	(853290)	1	Stern attachment	
22A	850771	1	• Anchorage	
22B	850778	2	• Nut	
23	853306	2	• Nut	
24	851093	1	• Bracket	
25	828857	1	• Anchorage	
26	828854	1	• Anchorage	
27	951739	1	• Lubricating nipple	
28	940101	2	• Hexagon screw	
29	941906	2	• Spring washer	
30	963105	2	• Lock nut	



DESCRIPTION	SEE SEC.	NOTES
Camshaft	54158965	MD2030B
Camshaft	54152230	MD2030
Timing Gear Housing	54158961	MD2030B
Timing Gear Housing	54147856	MD2030

--

DESCRIPTION	SEE SEC.	NOTES
Fuel Filter and Water Separator	54159282	MD2030, MD2030B
Fuel Filter and Water Separator	54159465	
Fuel Filter and Water Separator	54171215	
Fuel Filter and Water Separator	54171218	MD2030, MD2030B
Fuel Filter and Water Separator, RINA-approved	54162020	
Fuel Filter and Water Separator, RINA-approved	54159478	
Fuel Filter and Water Separator, RINA-approved	54171216	
Fuel Injector, Components	54158955	MD2030, MD2030B
Fuel Tank 20 L	54157512	MD2030, MD2030B
Fuel Tank 40L, with Connections	54157352	

DESCRIPTION	SEE SEC.	NOTES
Control Connection, Speed and Stop Control	54158856	MD2030

DESCRIPTION	SEE SEC.	NOTES
Starter Motor, Components: 3580295	54159148	MD2030, MD2030B

REF	DESCRIPTION	SEE SEC.
441	Aquamatic Unit, Stern Drive	441
442	Reversing Gear	442
446	Propellers, Propeller Shaft System	446
449	Miscellaneous, Marine Propulsion	449

CLICK HERE TO **DOWNLOAD** THE COMPLETE MANUAL

- Thank you very much for reading the preview of the manual.
- You can download the complete manual from: [www.heydownloads.com](http://www.heydownloads.com) by clicking the link below



- Please note: If there is no response to CLICKING the link, please download this PDF first and then click on it.

CLICK HERE TO **DOWNLOAD** THE COMPLETE MANUAL