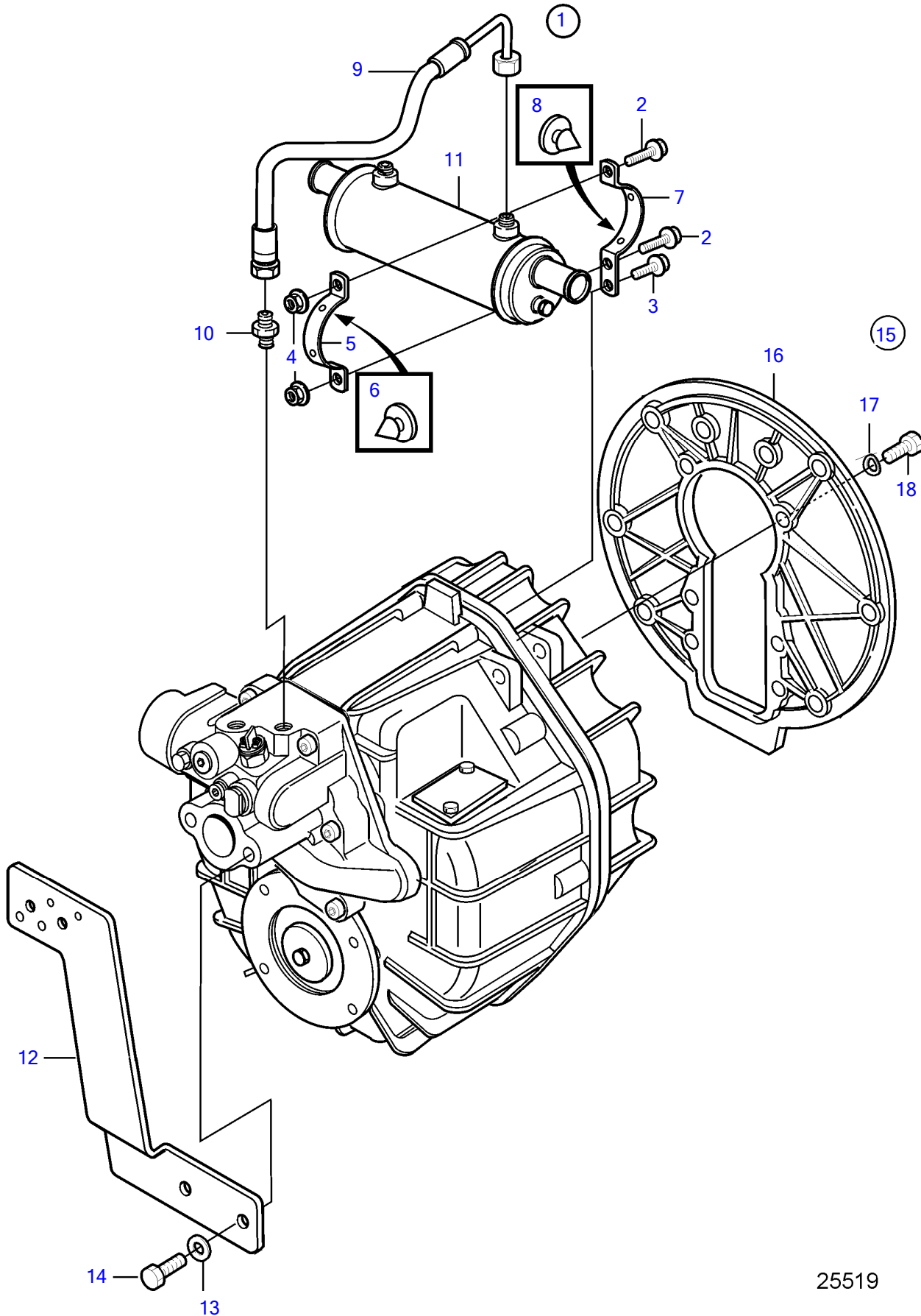


HS25A



25519

CLICK HERE TO **DOWNLOAD** THE COMPLETE MANUAL

- Thank you very much for reading the preview of the manual.
- You can download the complete manual from: www.heydownloads.com by clicking the link below

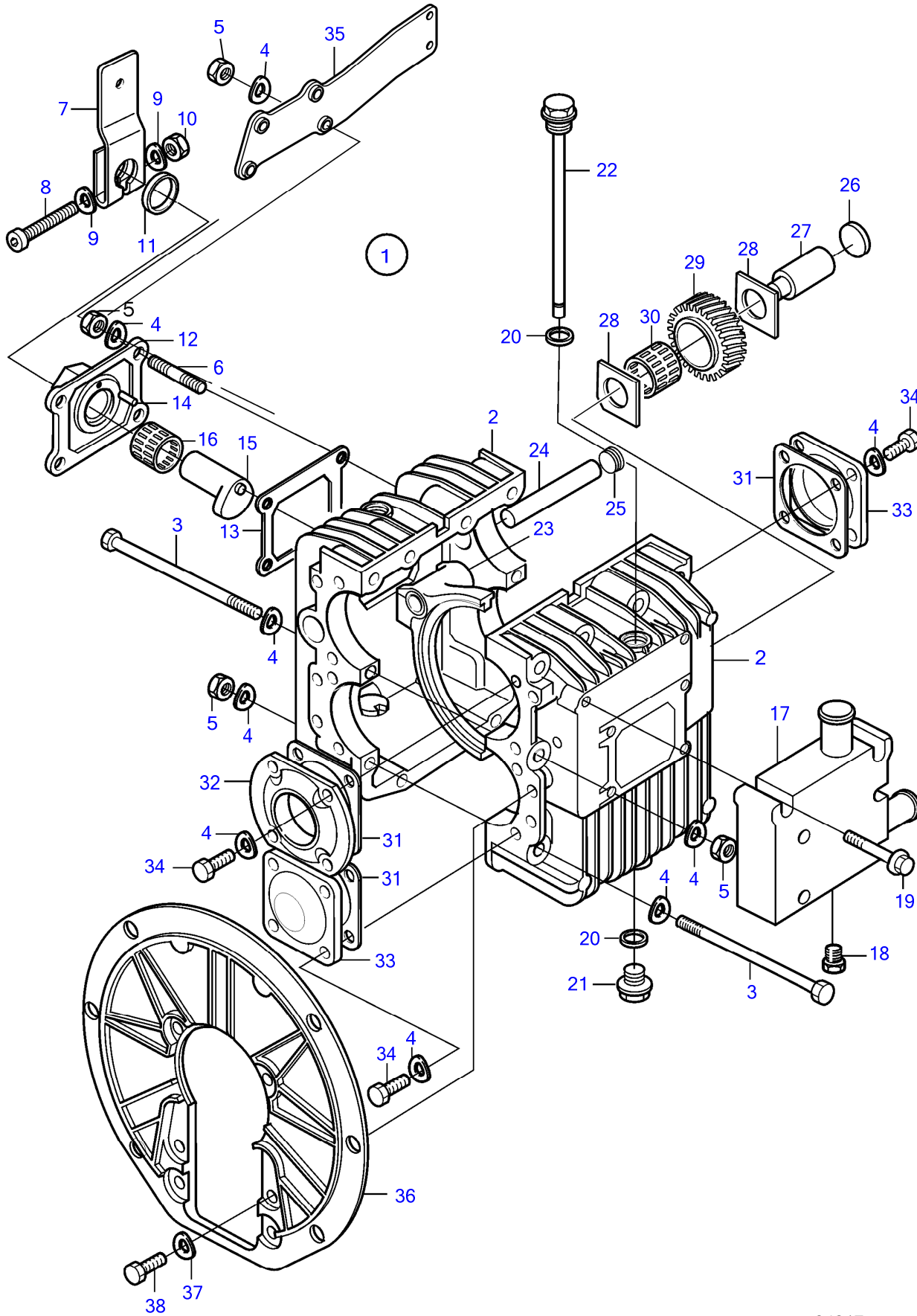


- Please note: If there is no response to CLICKING the link, please download this PDF first and then click on it.

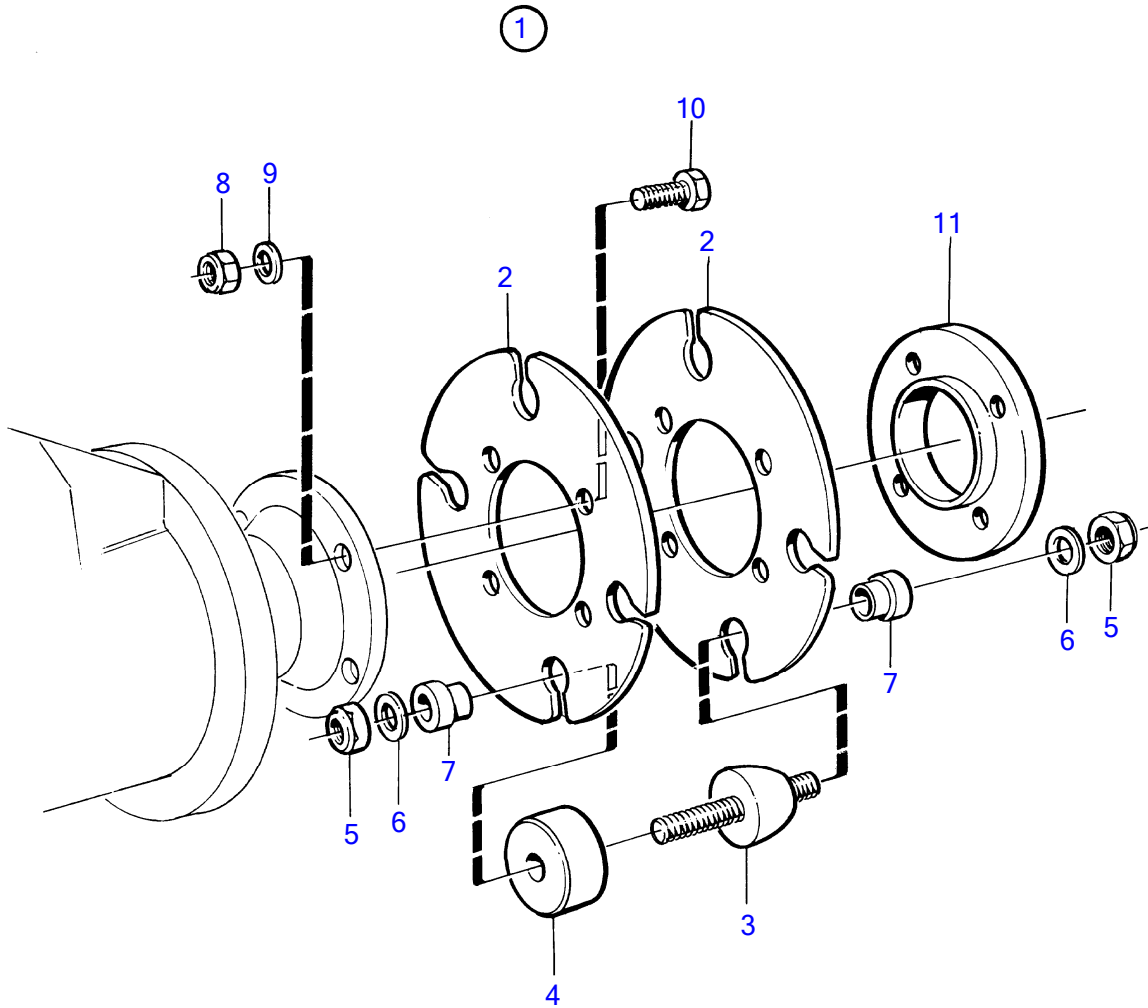
CLICK HERE TO **DOWNLOAD** THE COMPLETE MANUAL

HS25A

REF	PART NO.	QTY	DESCRIPTION	NOTES
1	21158904	1	Reversing gear kit	
2	3584037	1	• Input shaft	
3	3582211	1	• • Shaft	
4	3582112	2	• • Ball	
5	3582108	2	• • Ring	
6	3582106	2	• • Piston	
7	3582110	2	• • Ring	
8	3582114	6	• • Spring	
9	3582118	1	• • Retaining ring	
10	3582117	1	• • Ring	
11	3582100	8	• • Disc	
12	3582098	6	• • Disc	
13	3582104	2	• • Disc	
14	3582102	2	• • Snap ring	
15	3582089	1	• Key	
16	3582077	2	• Needle bearing	
17	3582141	1	• Spacer	
18	3582177	2	• Bearing	
19	(3582209)	1	• Reverse gear	
20	3582080	1	• Friction washer	
21	184083	5	• Roller bearing	
22	3582087	3	• Piston ring	
23	3888145	1	• Gear	
24	3582113	1	• Ball	
25	3582081	1	• Thrust washer	
26	(3582206)	1	• Snap ring	
27	(3582210)	1	• Spacer	
28	3582090	X	• Shim	TH=0,10mm
	3582092	X	• Shim	TH=0,15mm
	3582095	X	• Shim	TH=0,30mm
	3582096	X	• Shim	TH=0,50mm
29	3888147	1	• Intermedi.shaft kit	
30	184083	2	• • Roller bearing	
31	3582127	1	• Ring nut	
32	3582121	1	• O-ring	
33	21344476	1	• Flange	
34	3582051	1	• Seal	
35	3888146	1	• Output shaft	
36	184083	1	• • Roller bearing	
37	11065	1	• • Roller bearing	
38	(3582195)	X	• Shim	TH=0,10mm
	(3582196)	X	• Shim	TH=0,15mm
	(3582197)	X	• Shim	TH=0,30mm
	(3582198)	X	• Shim	TH=0,50mm
39	3582207	1	• Plate	
40	969405	2	• Six point socket scr	
41	3584043	1	• Suction pipe	
42	942001	1	• Hex. socket screw	



REF	PART NO.	QTY	DESCRIPTION	NOTES
1	3858955	1	Hub kit	S-drive (3858284)
2	3583424	1	Hub kit	Shaft 25mm (3581262)
	3583425	1	Hub kit	Shaft 30mm (3581263)
	3583426	1	Hub kit	Shaft 1" (3581484)
	3583427	1	Hub kit	Shaft 1 1/4" (3581485)
3	3583382	1	Propeller blade kit	Left 14x9 (3581249)
	3583383	1	Propeller blade kit	Left 15x9 (3581250)
	3583384	1	Propeller blade kit	Left 15x10 (3581251)
	3583385	1	Propeller blade kit	Left 16x10 (3581252)
	3583386	1	Propeller blade kit	Left 16x11 (3581253)
	3583387	1	Propeller blade kit	Left 17x11 (3581254)
	3583388	1	Propeller blade kit	Left 17x12 (3581255)
	3583389	1	Propeller blade kit	Left 18x12 (3581256)
	3583390	1	Propeller blade kit	Left 18x13 (3581257)
	3583391	1	Propeller blade kit	Left 18x14 (3581258)
	3583392	1	Propeller blade kit	Left 18x15
	3584031	1	Propeller blade kit	Left 18x16
	3583393	1	Propeller blade kit	Left 19x16
	3583409	1	Propeller blade kit	Right 14x7
	3583410	1	Propeller blade kit	Right 14x8
	3583411	1	Propeller blade kit	Right 14x9 (3581807)
	3583412	1	Propeller blade kit	Right 15x9 (3581808)
	3583413	1	Propeller blade kit	Right 15x10 (3581809)
	3583414	1	Propeller blade kit	Right 16x10 (3581810)
	3583415	1	Propeller blade kit	Right 16x11 (3581811)
	3583416	1	Propeller blade kit	Right 17x11 (3581812)
	3583417	1	Propeller blade kit	Right 17x12 (3581813)
	3583418	1	Propeller blade kit	Right 18x12 (3581814)
	3583419	1	Propeller blade kit	Right 18x13 (3581815)
	3583420	1	Propeller blade kit	Right 18x14 (3581816)
4	3584466	1	Propeller nut	Included in hub kit, (3851993)
5	3851994	1	Lock washer	Included in hub kit
6	946730	1	Hexagon screw	Included in hub kit
7	3581243	3	Shaft	Included in hub kit
8	963695	3	Hex. socket screw	Included in hub kit
9	948000	3	Set screw	Included in hub kit
10	3858399	1	Zinc anode kit, Zink	Included in hub kit, For use in saltwater
	23974203	1	Anode kit, Aluminium	For use in Salt and Brackish water
	3858400	1	Magnesium anode kit, Magnesium	For use in freshwater
11	963677	3	• Hex. socket screw	
12	1161053	1	Locking fluid	10ml, Included in hub kit
13	828250	1	Lubricating grease	25G, Included in propeller blade kit
14	873473	1	Nut	M16
	873486	1	Nut	M20
15	873475	1	Tab washer	M16
	873488	1	Tab washer	M20



CLICK HERE TO **DOWNLOAD** THE COMPLETE MANUAL

- Thank you very much for reading the preview of the manual.
- You can download the complete manual from: www.heydownloads.com by clicking the link below



- Please note: If there is no response to CLICKING the link, please download this PDF first and then click on it.

CLICK HERE TO **DOWNLOAD** THE COMPLETE MANUAL