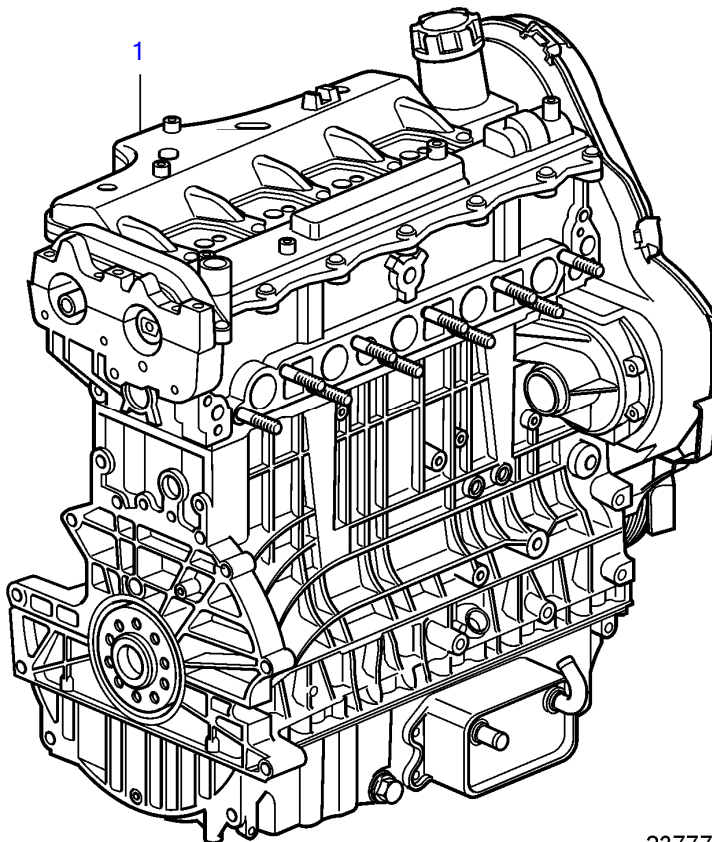
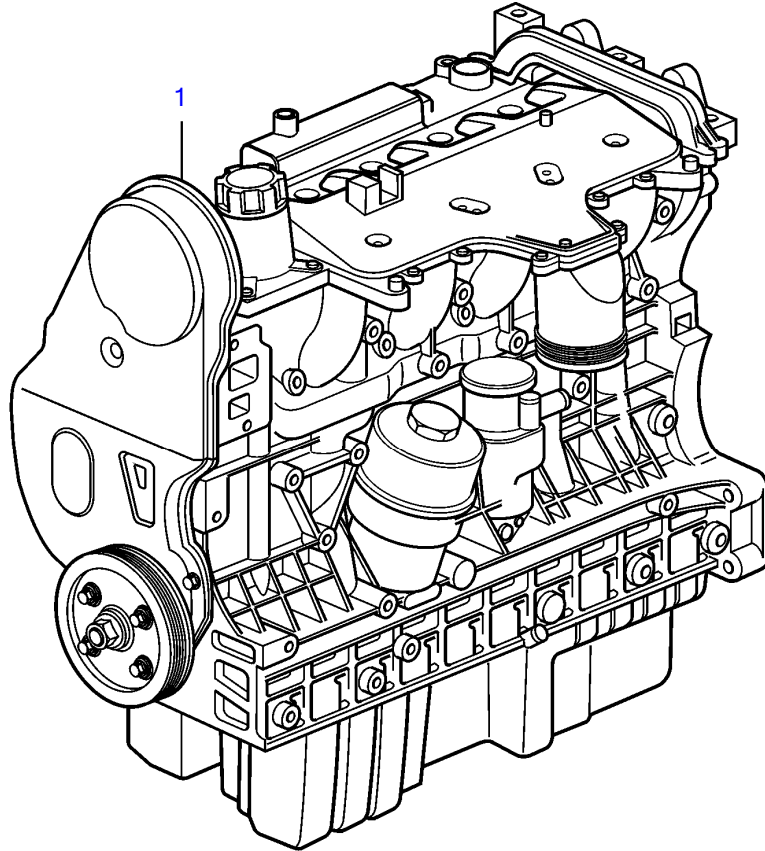


D3-110I-A, D3-130I-A, D3-160I-A



CLICK HERE TO **DOWNLOAD** THE COMPLETE MANUAL

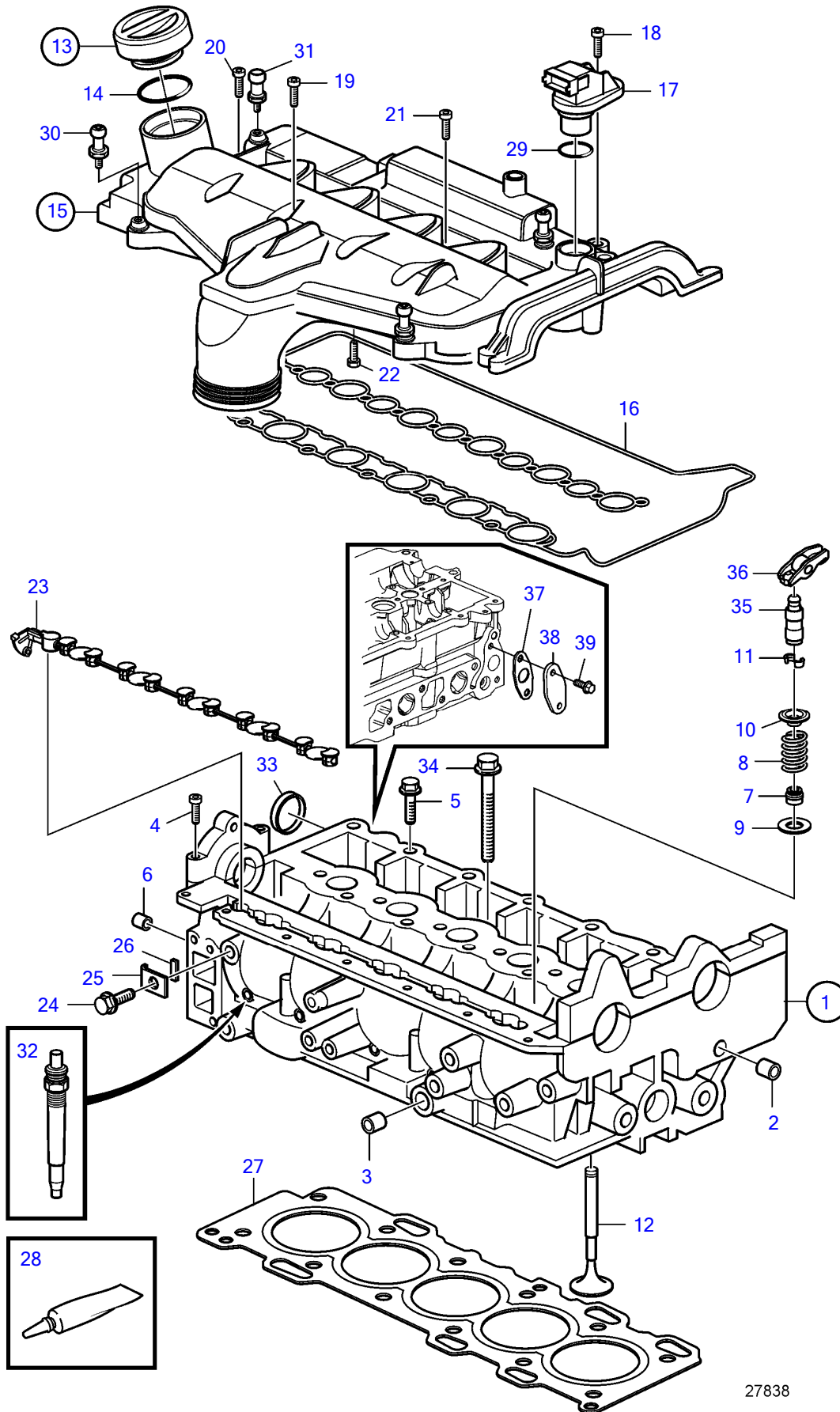
- Thank you very much for reading the preview of the manual.
- You can download the complete manual from: www.heydownloads.com by clicking the link below



- Please note: If there is no response to CLICKING the link, please download this PDF first and then click on it.

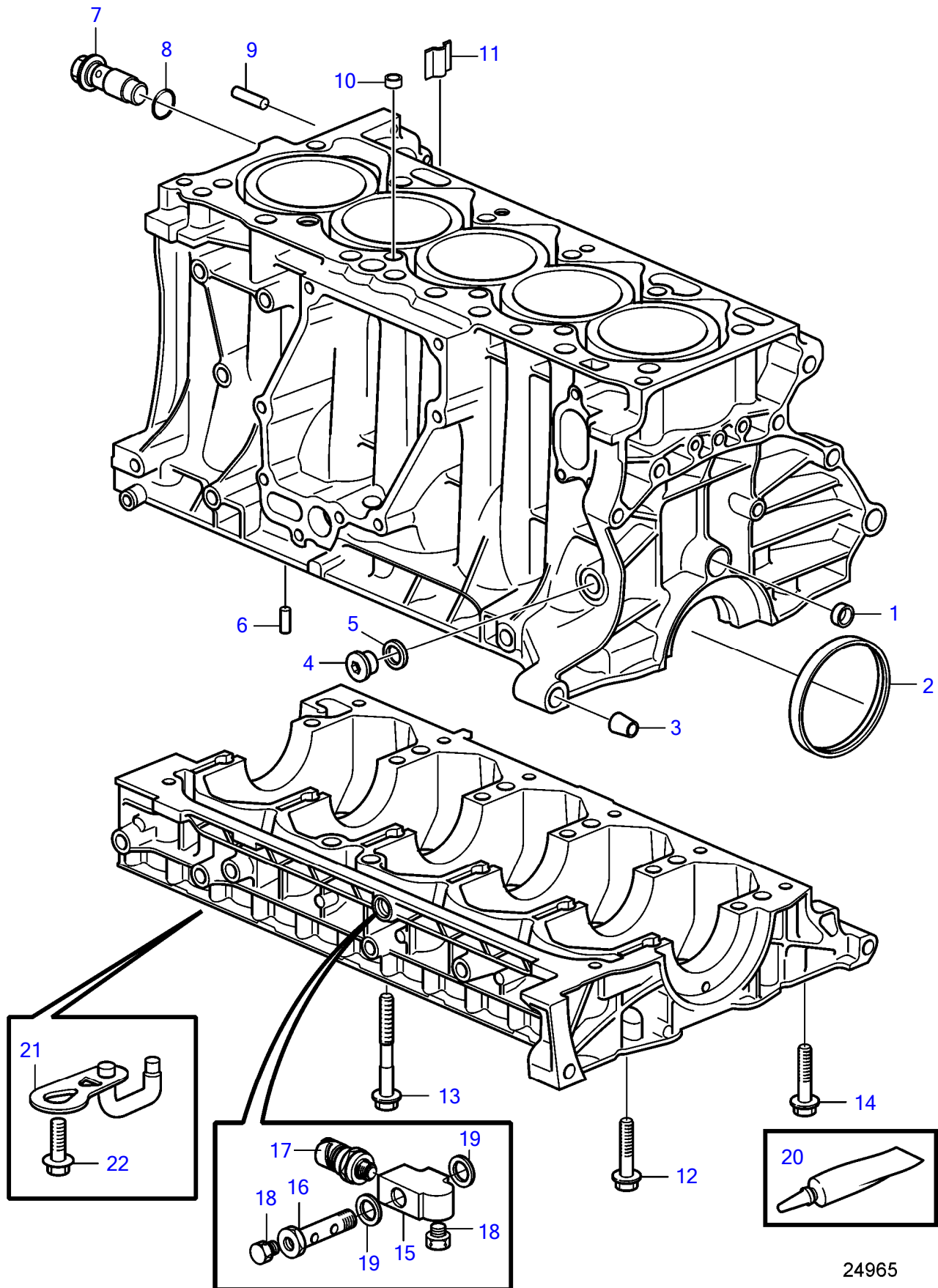
CLICK HERE TO **DOWNLOAD** THE COMPLETE MANUAL

D3-110I-B, D3-110I-C, D3-130I-B, D3-130I-C, D3-160I-B, D3-160I-C, D3-190I-A, D3-190I-B, D3-190I-C

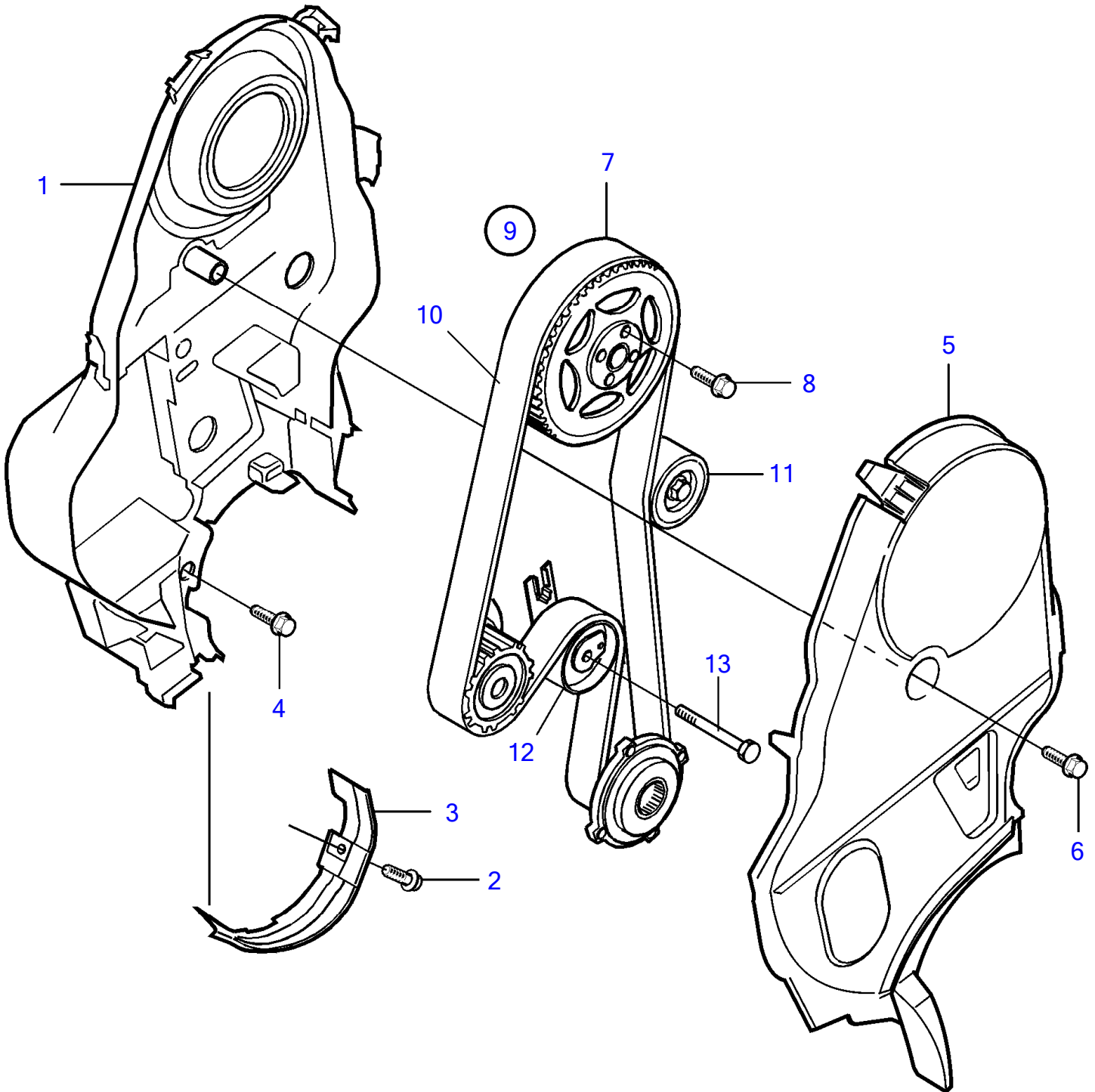


27838

D3-110I-A, D3-110I-B, D3-110I-C, D3-110I-D, D3-130I-A, D3-130I-B, D3-130I-C, D3-160I-A, D3-160I-B, D3-160I-C, D3-190I-A, D3-190I-B, D3-190I-C

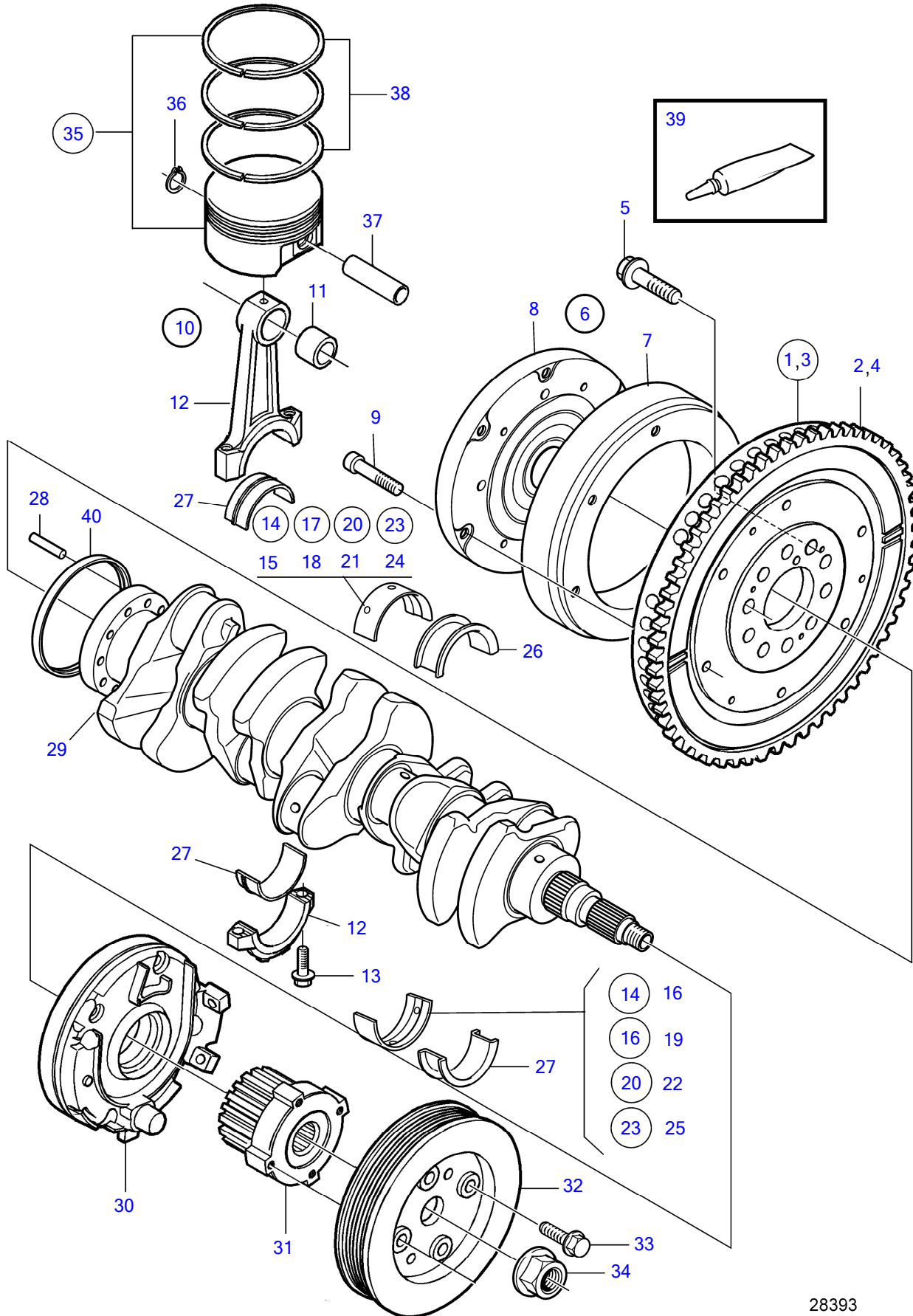


D3-110I-A, D3-110I-B, D3-110I-C, D3-130I-A, D3-130I-B, D3-130I-C, D3-160I-A, D3-160I-B, D3-160I-C, D3-190I-A, D3-190I-B, D3-190I-C



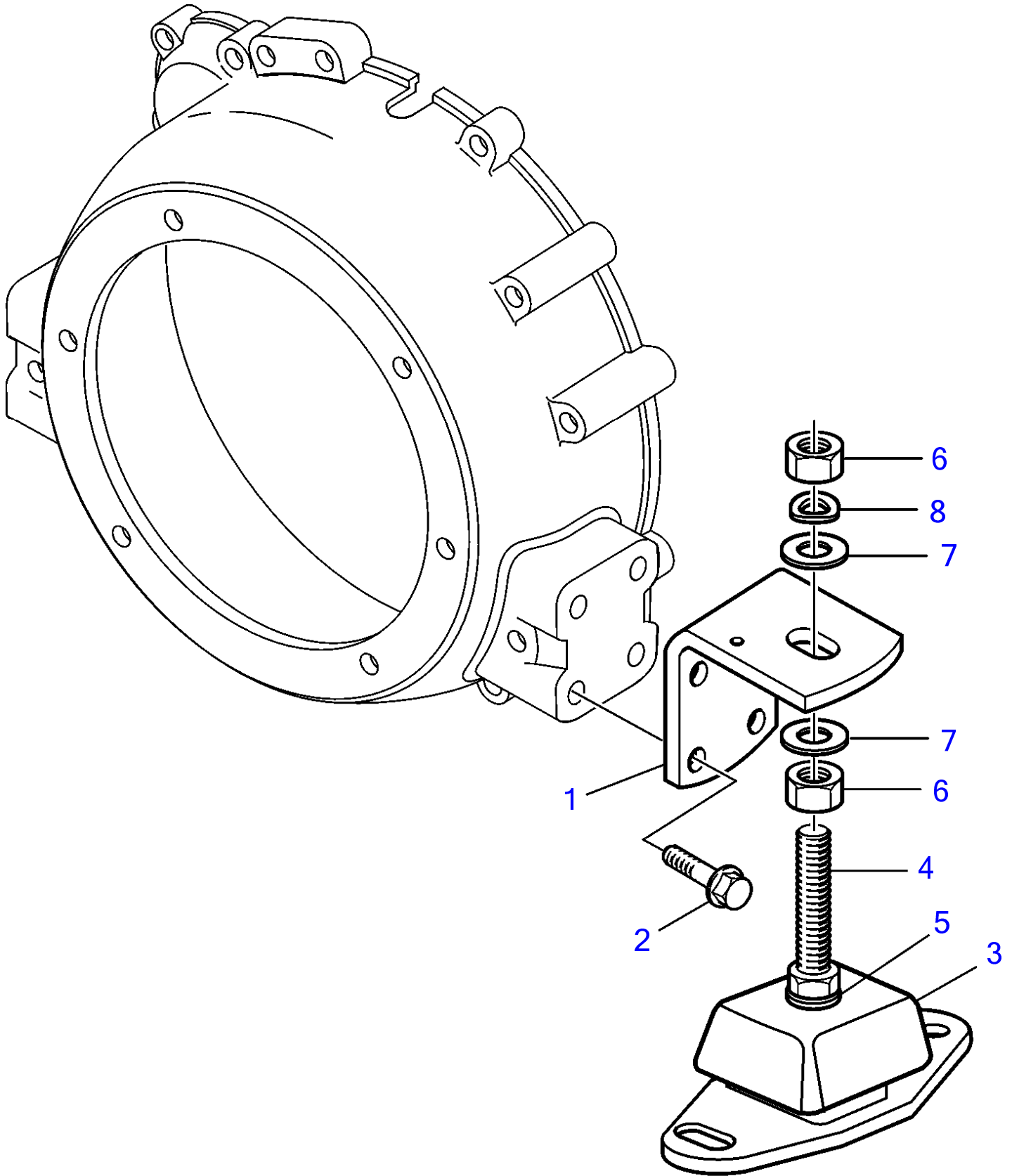
22729

D3-110I-C, D3-130I-C, D3-160I-C, D3-190I-C

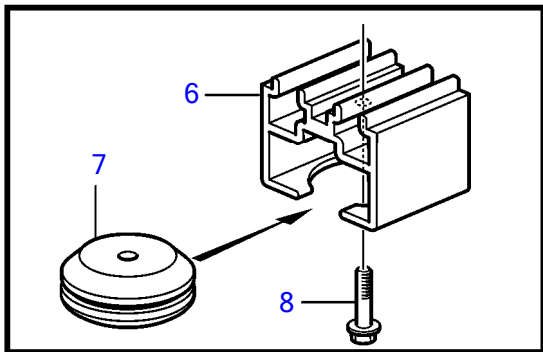
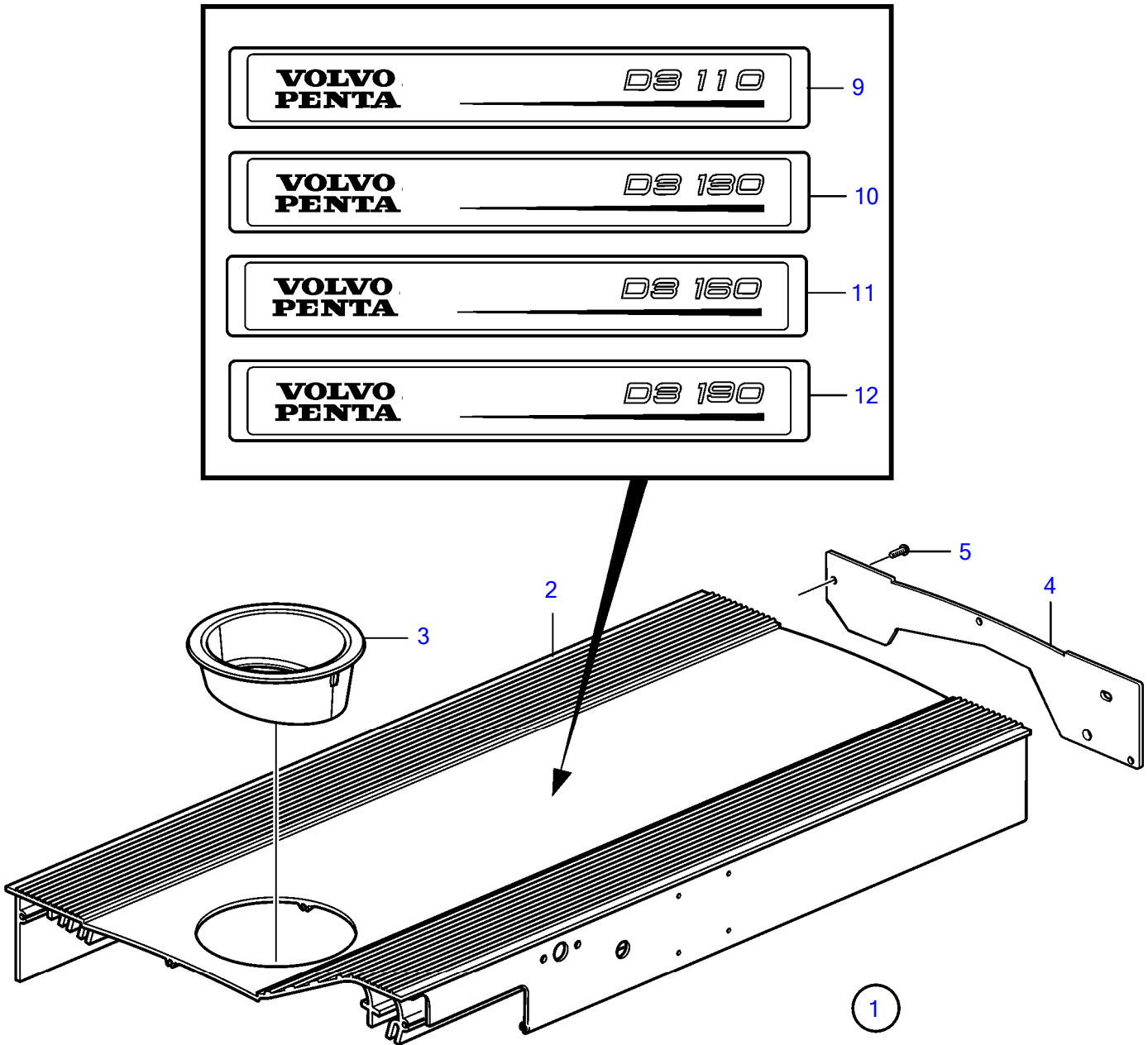


28393

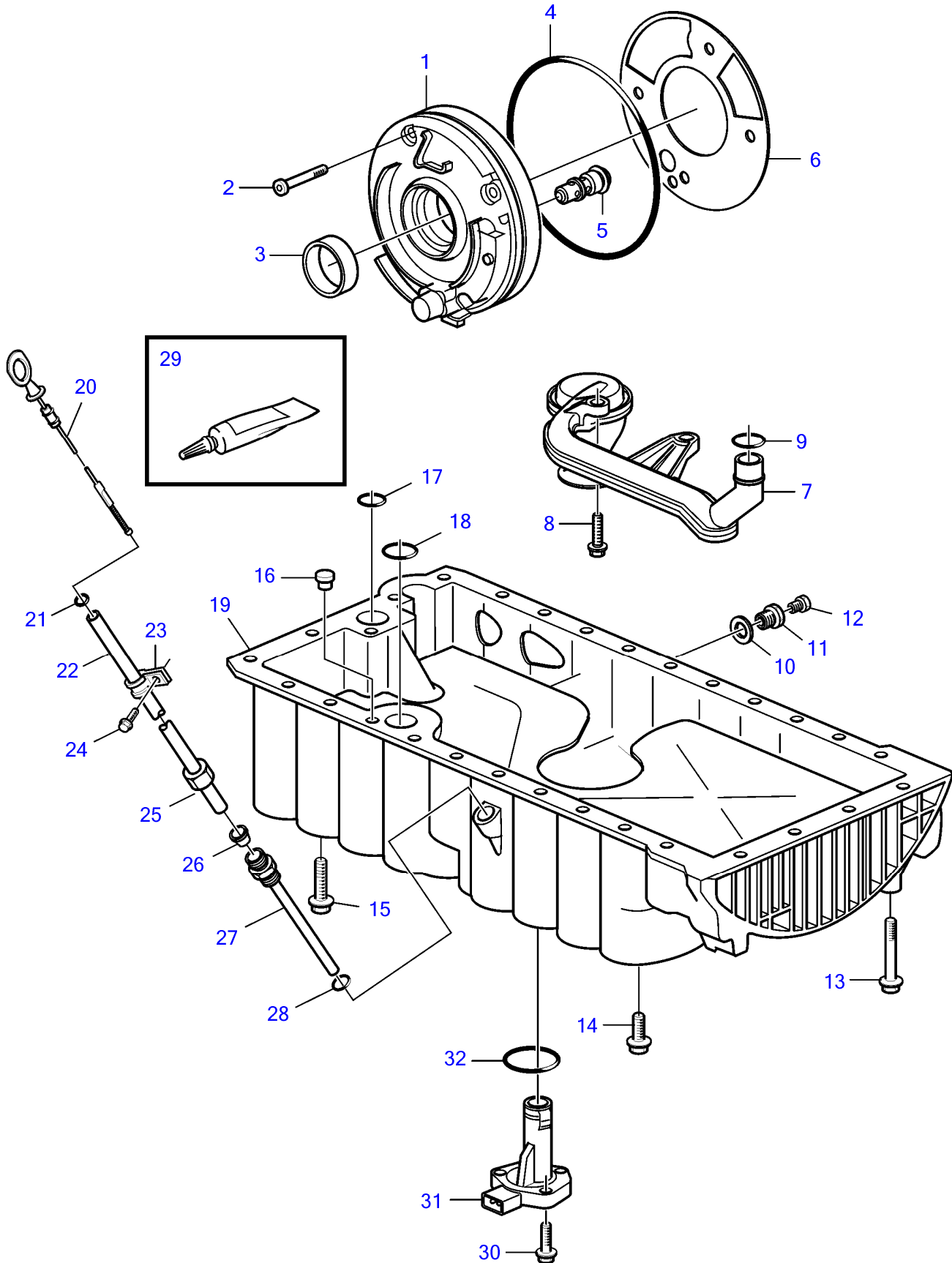
D3-110I-A, D3-110I-B, D3-110I-C, D3-130I-A, D3-130I-B, D3-130I-C, D3-160I-A, D3-160I-B, D3-160I-C, D3-190I-B, D3-190I-C



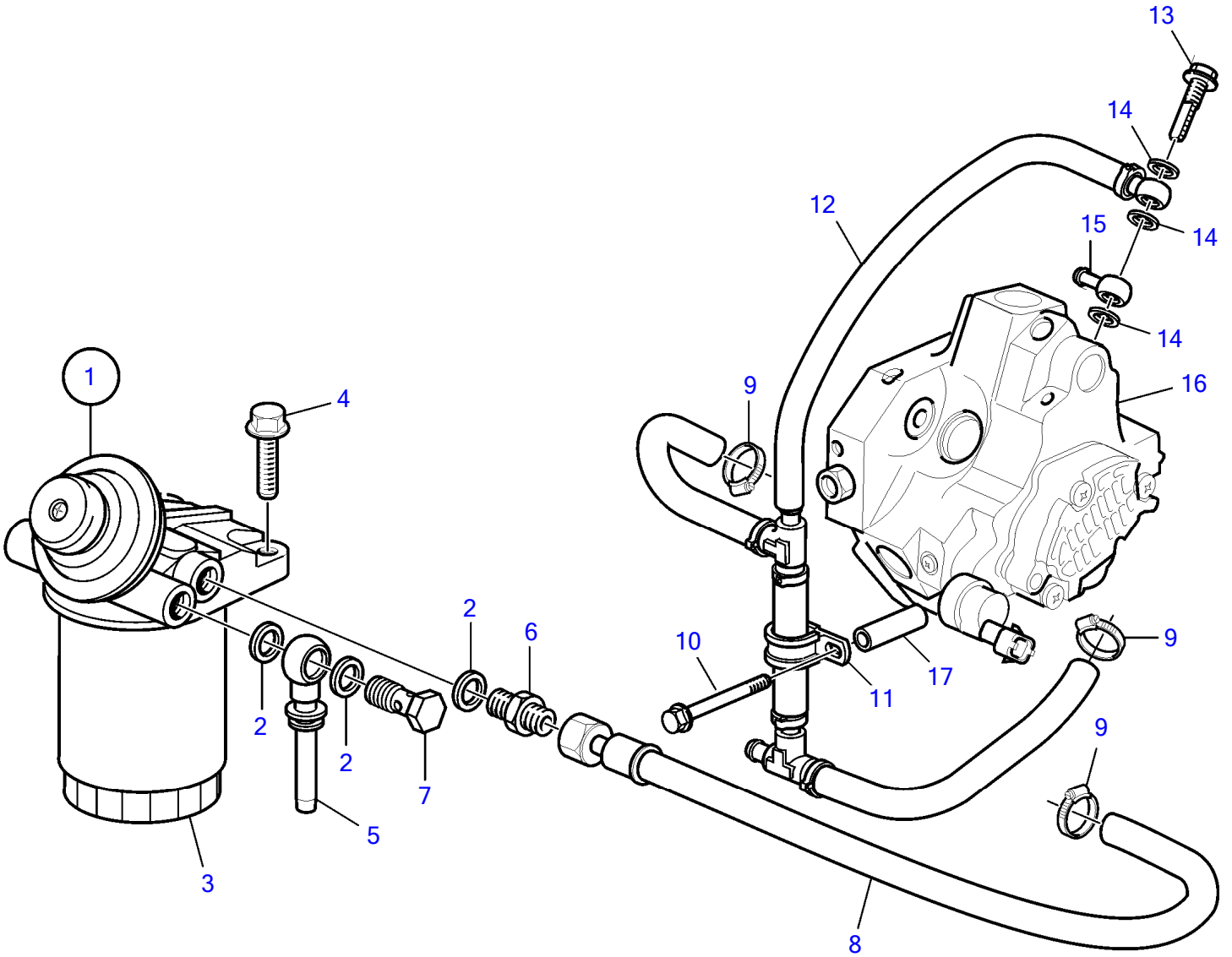
D3-110I-A, D3-110I-B, D3-110I-C, D3-130I-A, D3-130I-B, D3-130I-C, D3-160I-A, D3-160I-B, D3-160I-C, D3-190I-A, D3-190I-B, D3-190I-C



D3-110I-B, D3-110I-C, D3-130I-B, D3-130I-C, D3-160I-B, D3-160I-C, D3-190I-B, D3-190I-C

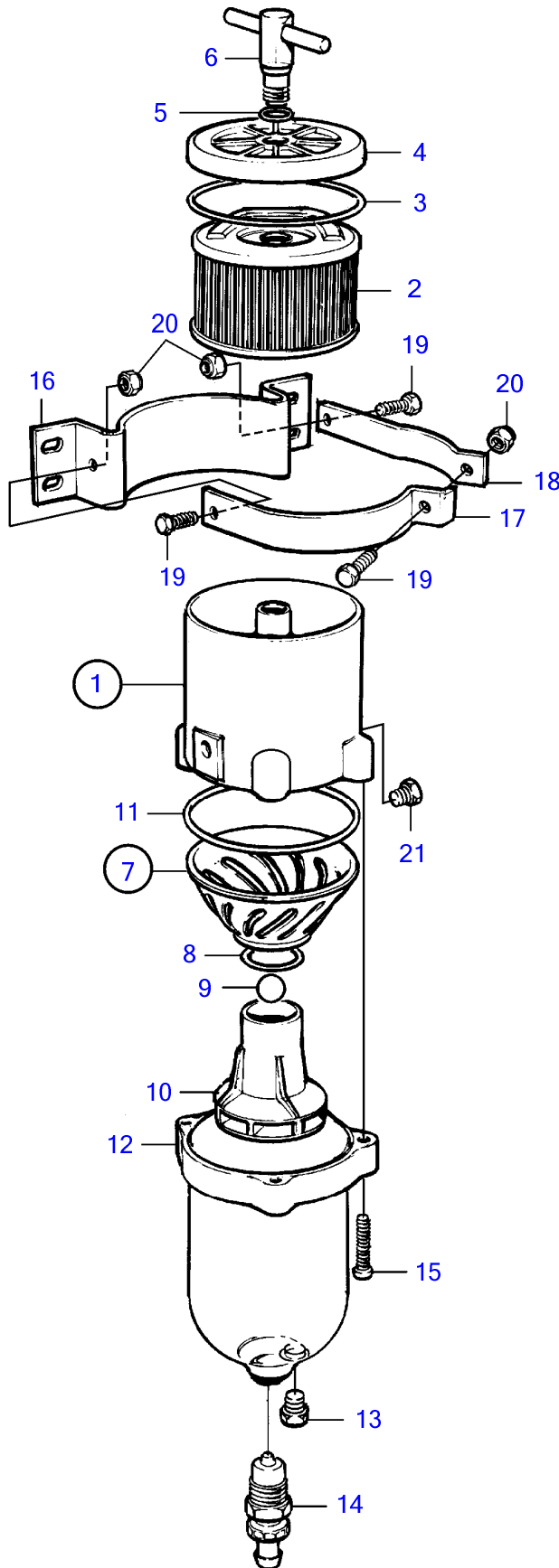


D3-110I-B, D3-110I-C, D3-130I-B, D3-130I-C, D3-160I-B, D3-160I-C, D3-190I-B, D3-190I-C



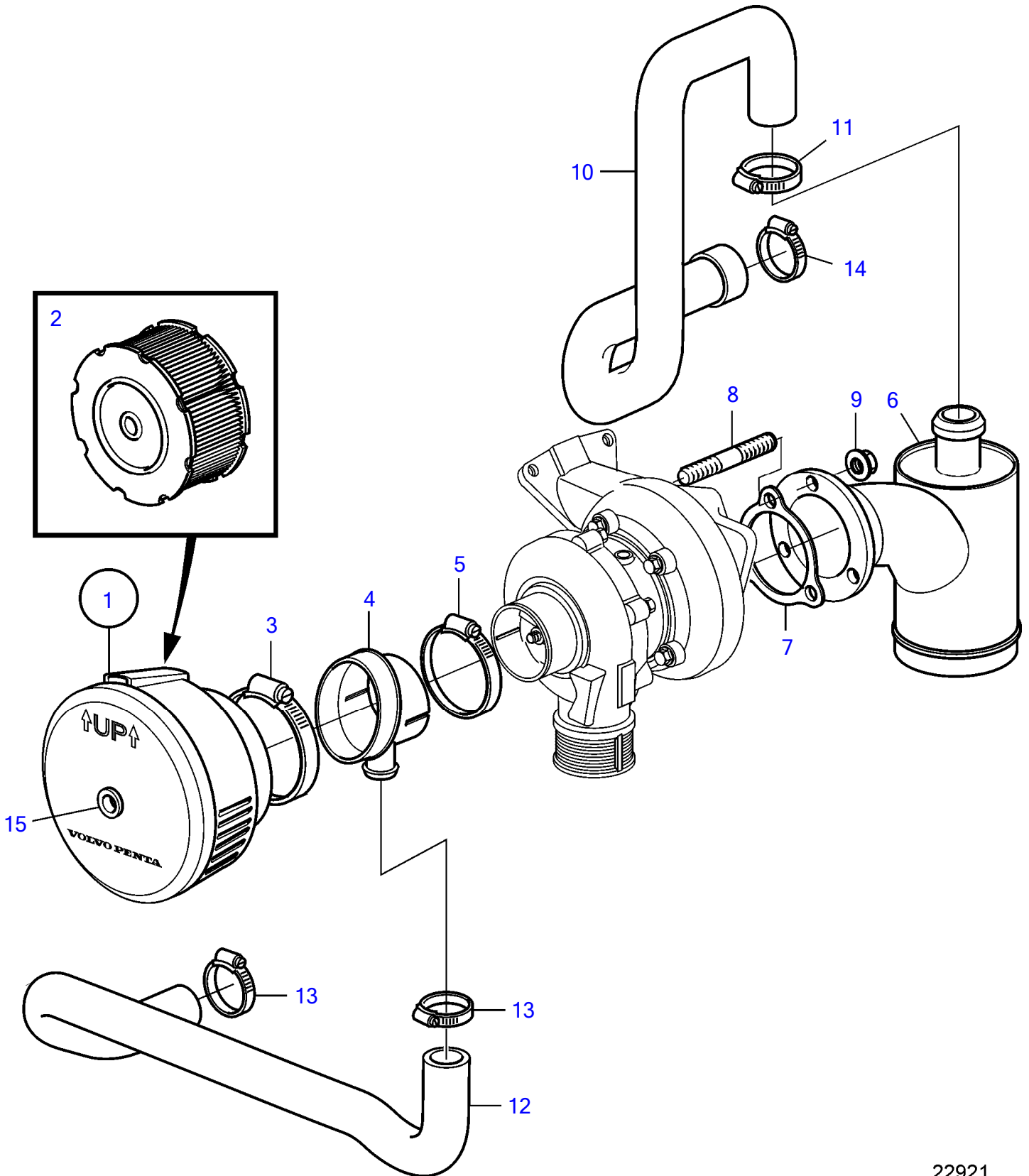
22724

D3-110I-A, D3-110I-B, D3-110I-C, D3-130I-A, D3-130I-B, D3-130I-C, D3-160I-A, D3-160I-B, D3-160I-C, D3-190I-A, D3-190I-B, D3-190I-C



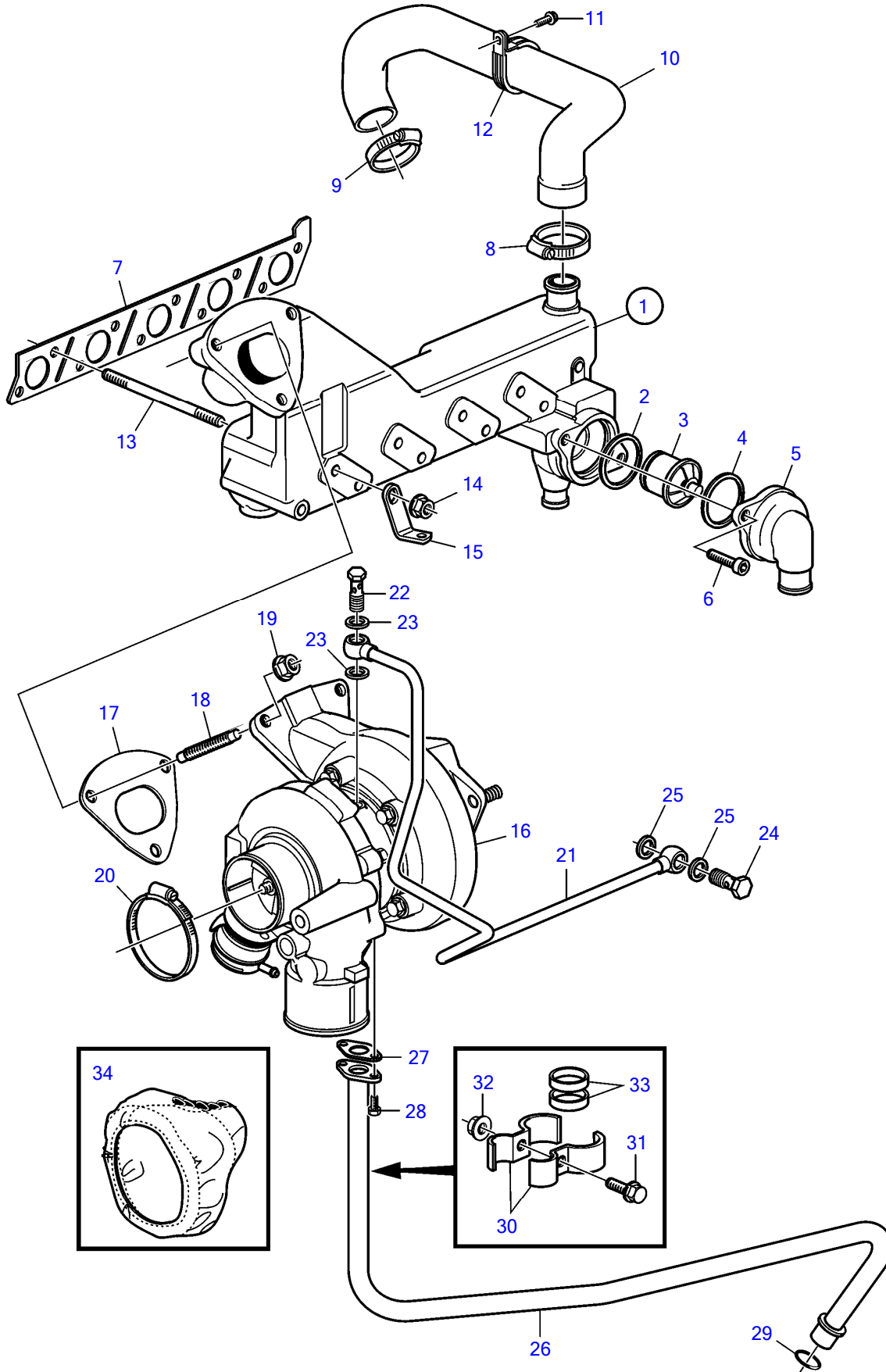
19983

D3-110I-A, D3-130I-A, D3-160I-A



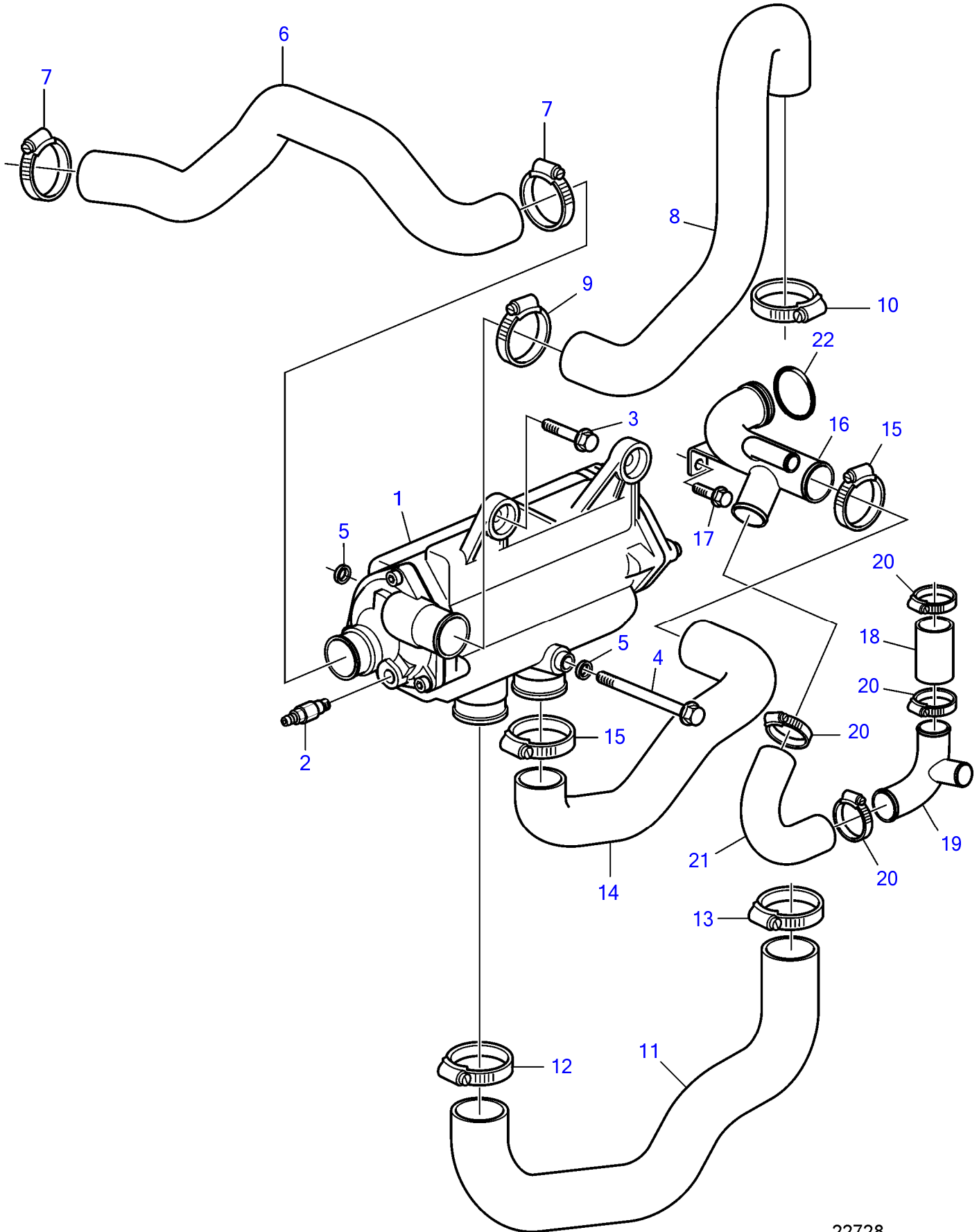
22921

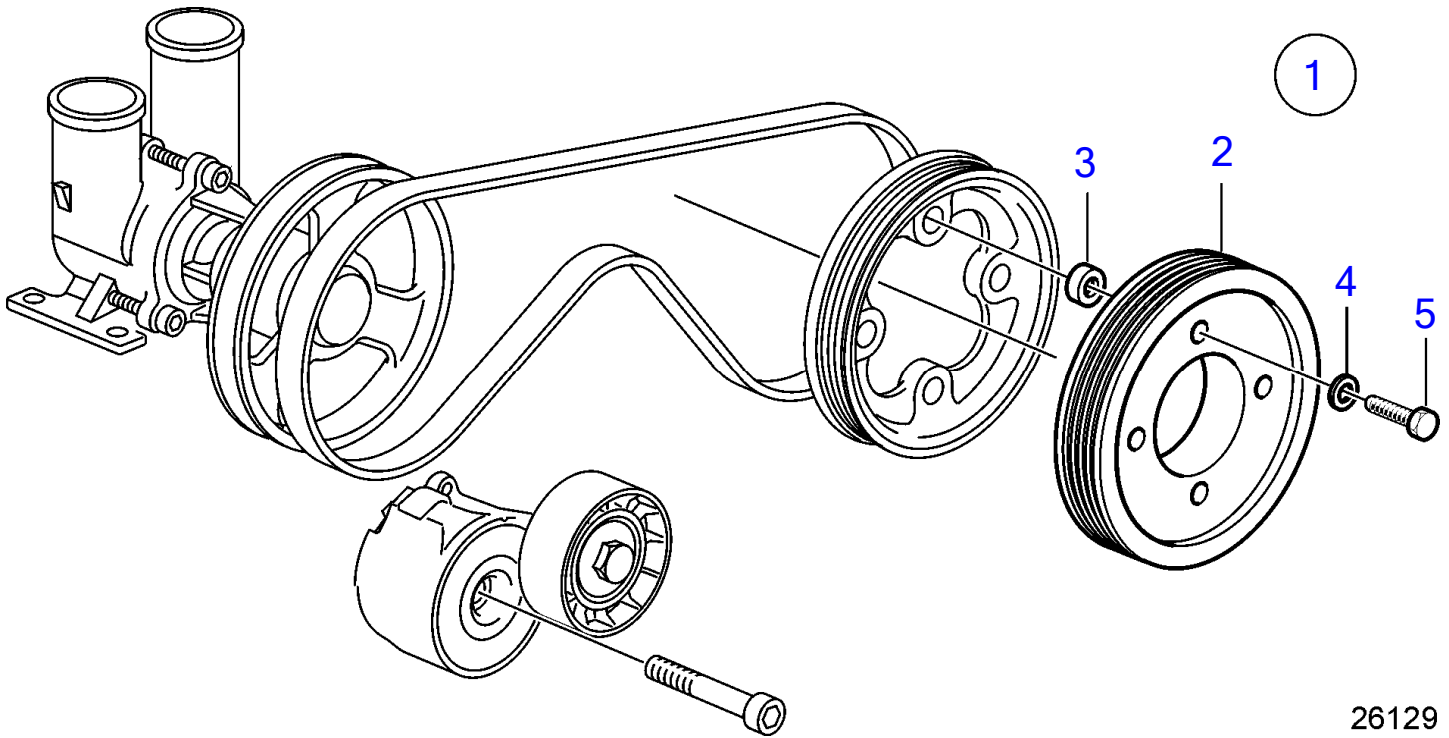
D3-110I-B, D3-110I-C, D3-130I-B, D3-130I-C, D3-160I-B, D3-160I-C, D3-190I-A, D3-190I-B, D3-190I-C



22788

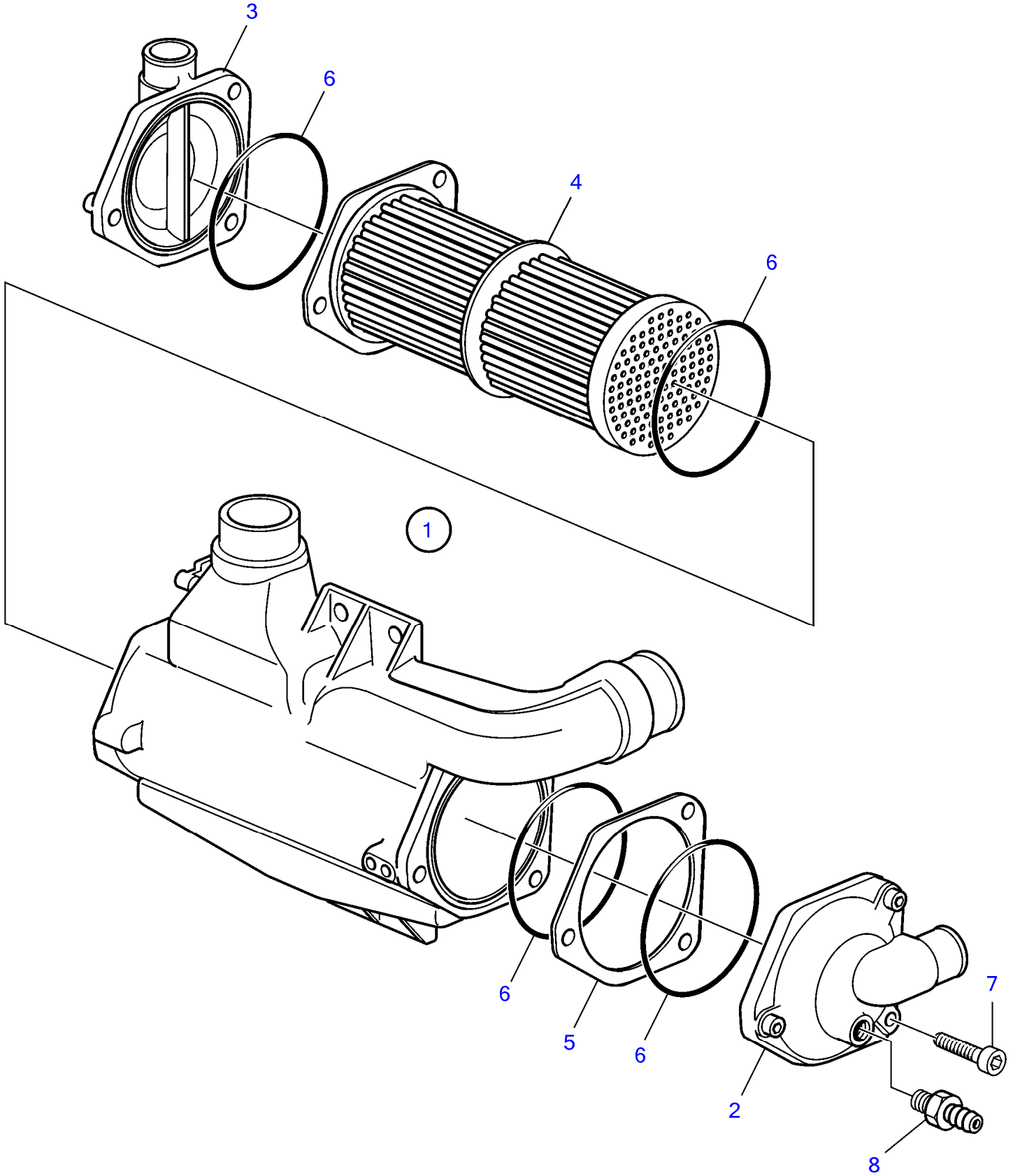
D3-110I-B, D3-110I-C, D3-130I-B, D3-130I-C, D3-160I-B, D3-160I-C



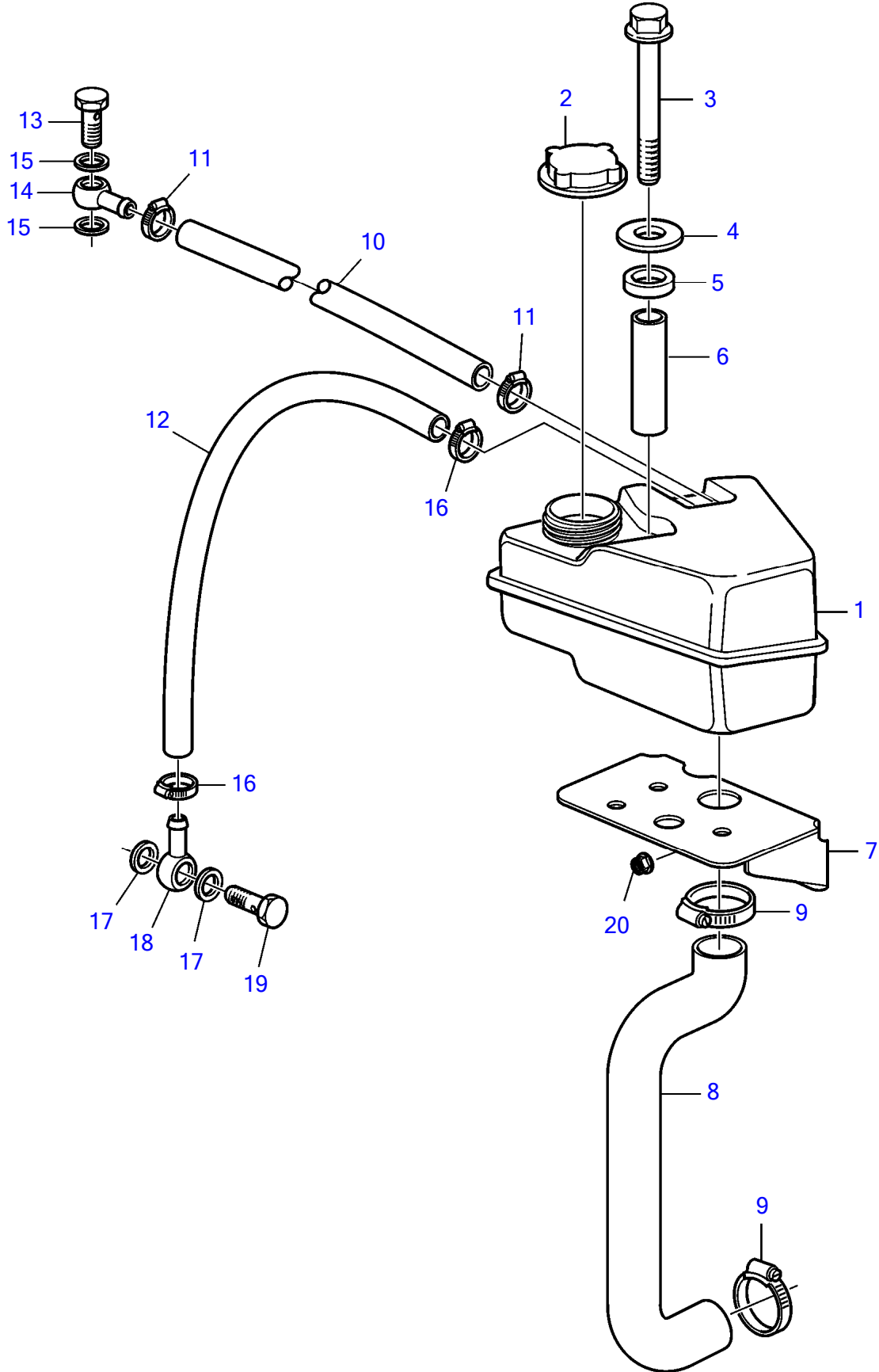


26129

D3-190I-A, D3-190I-B, D3-190I-C



D3-110I-B, D3-110I-C, D3-130I-B, D3-130I-C, D3-160I-B, D3-160I-C, D3-190I-A, D3-190I-B, D3-190I-C



CLICK HERE TO **DOWNLOAD** THE COMPLETE MANUAL

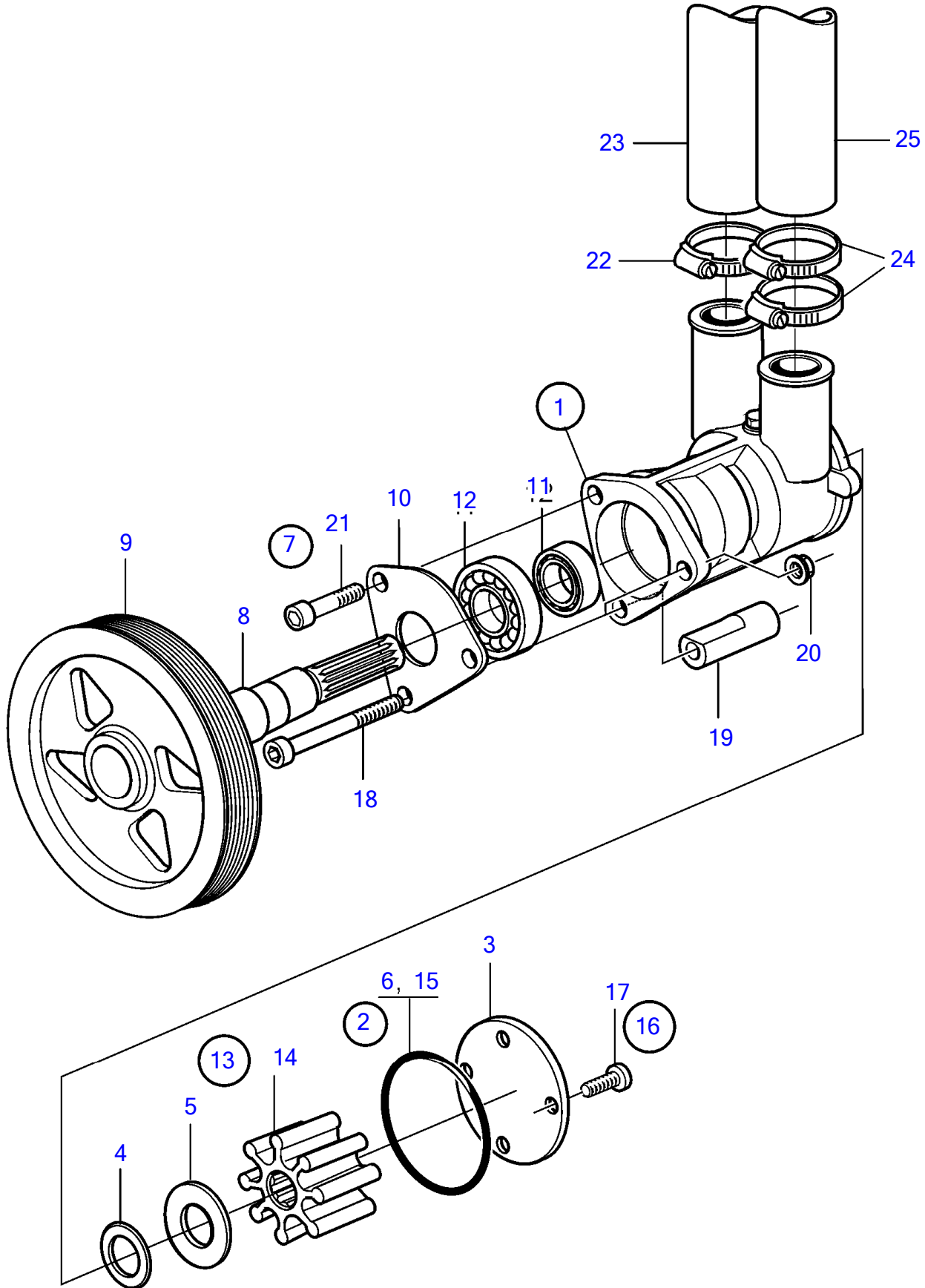
- Thank you very much for reading the preview of the manual.
- You can download the complete manual from: www.heydownloads.com by clicking the link below



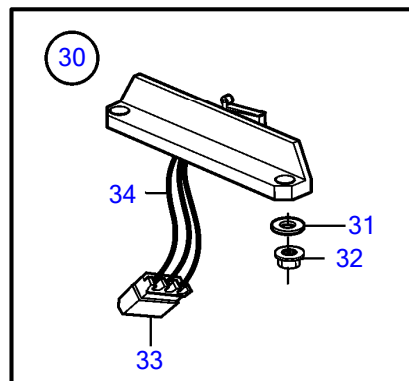
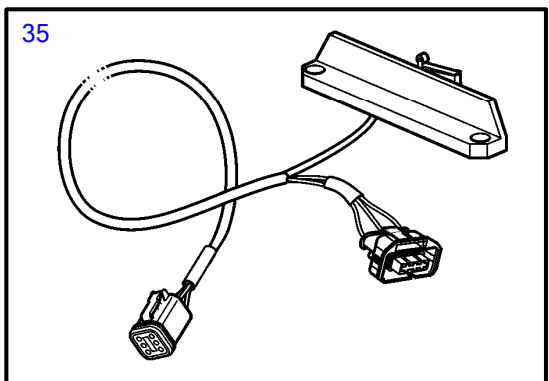
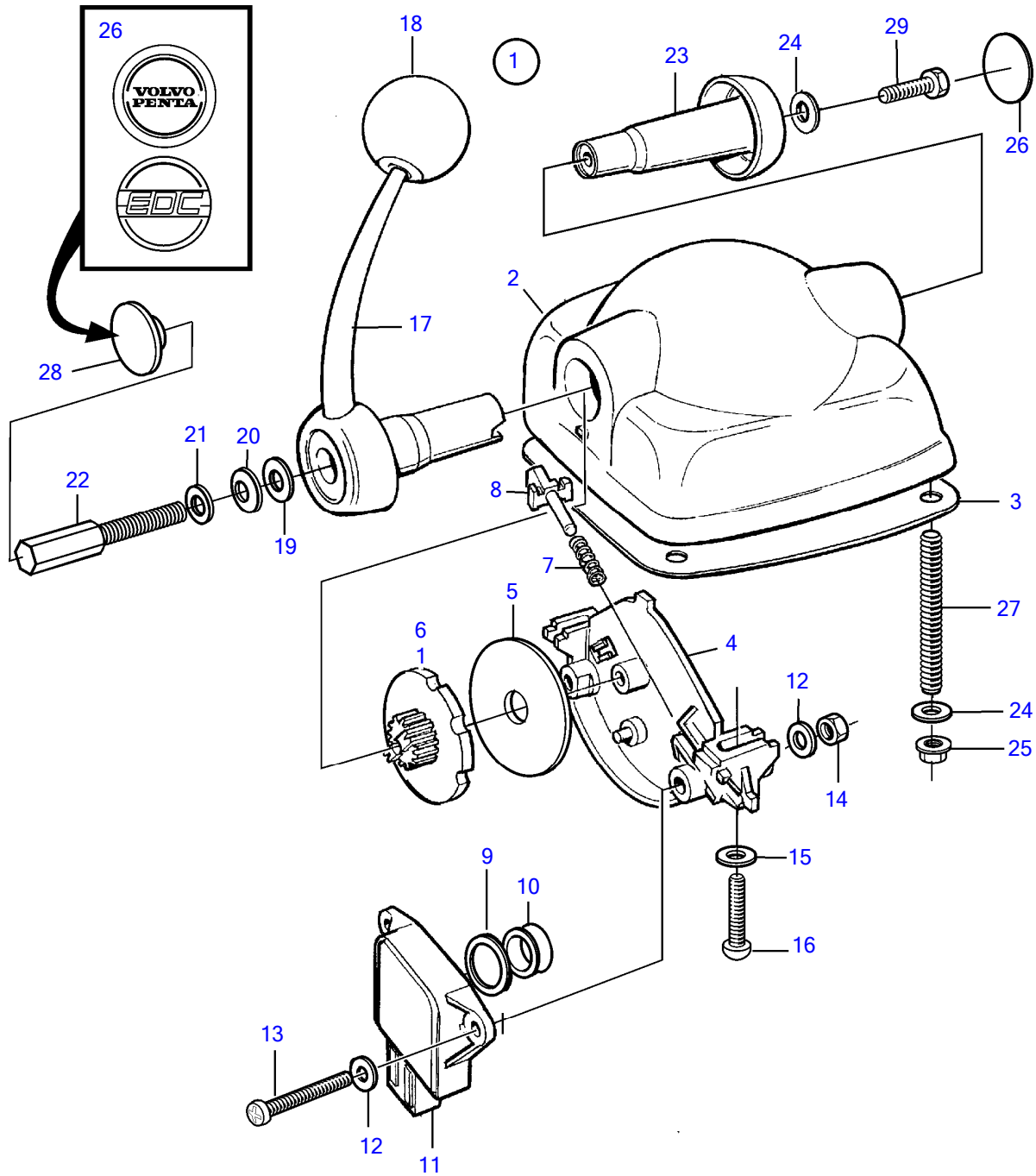
- Please note: If there is no response to CLICKING the link, please download this PDF first and then click on it.

CLICK HERE TO **DOWNLOAD** THE COMPLETE MANUAL

D3-110I-A, D3-130I-A, D3-160I-A

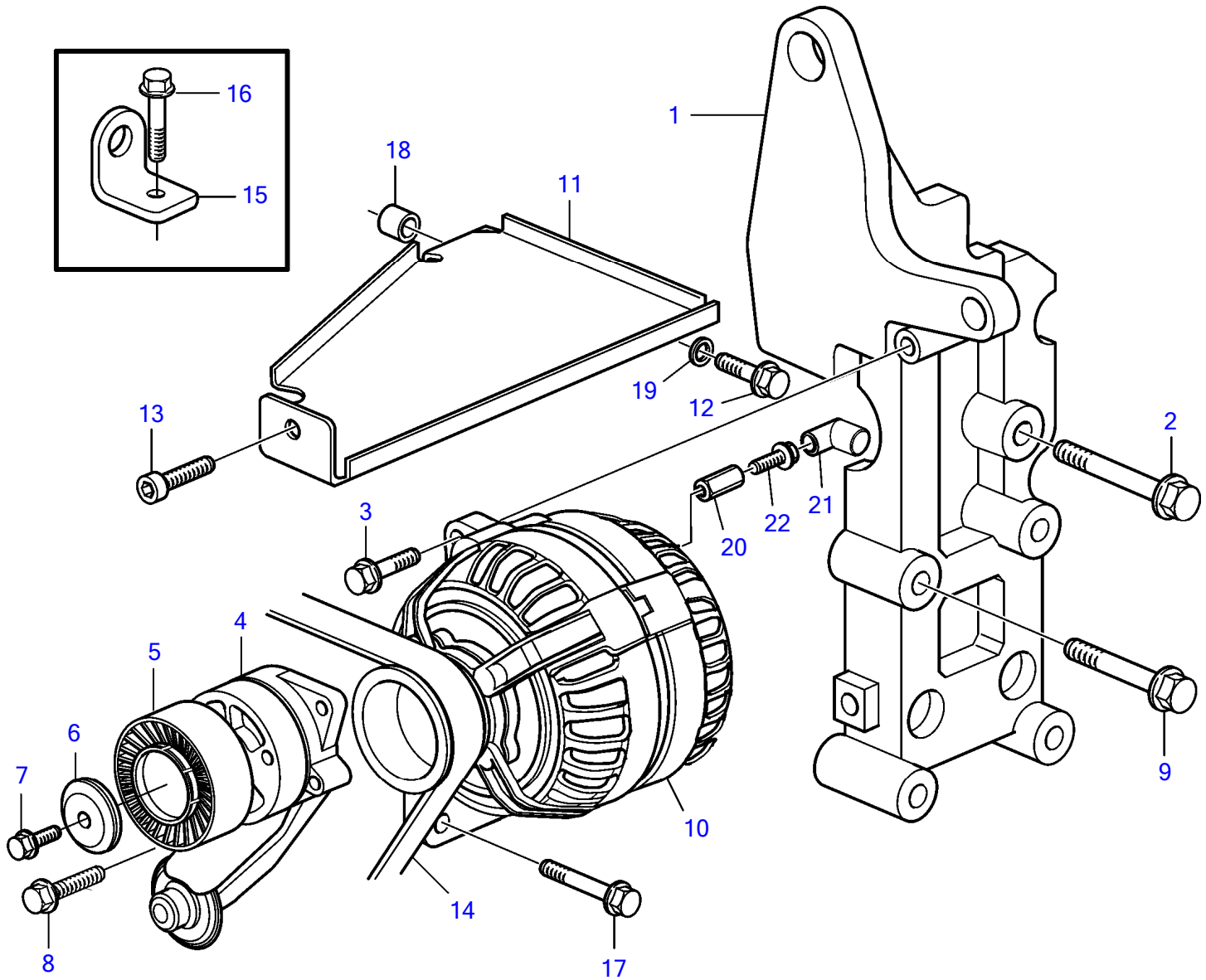


D3-110I-A, D3-110I-B, D3-110I-C, D3-110I-D, D3-130I-A, D3-130I-B, D3-130I-C, D3-160I-A, D3-160I-B, D3-160I-C, D3-190I-A, D3-190I-B, D3-190I-C



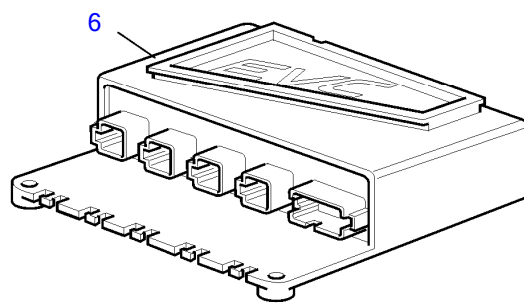
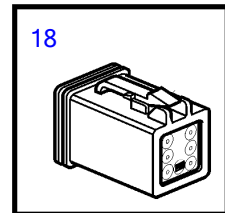
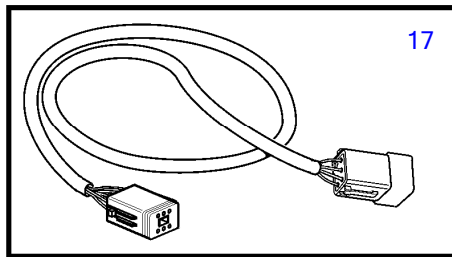
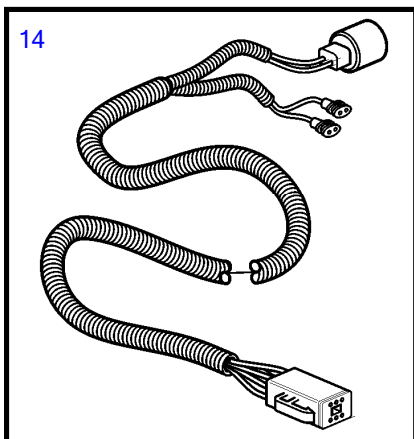
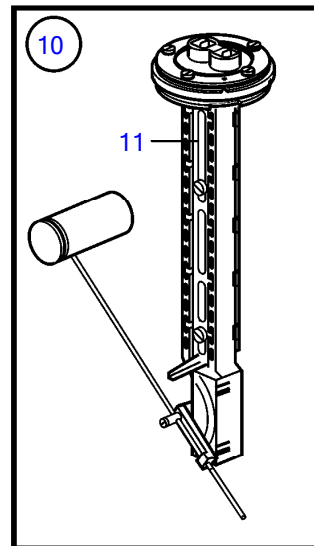
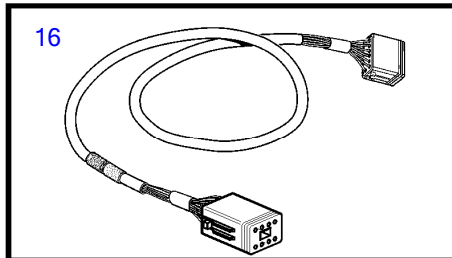
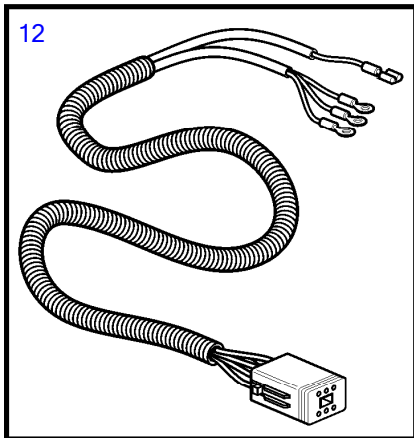
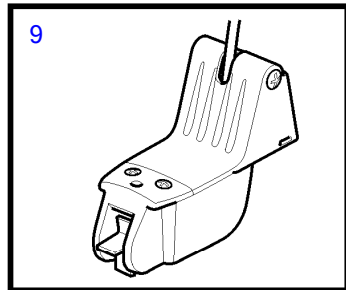
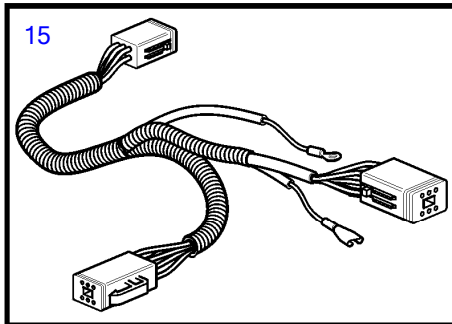
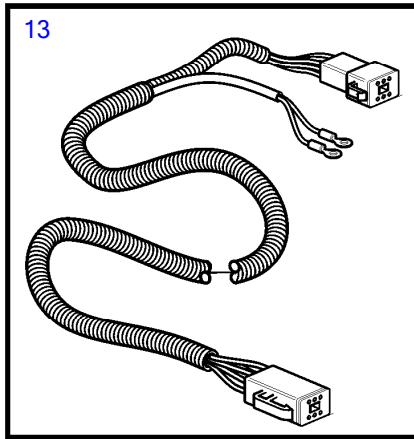
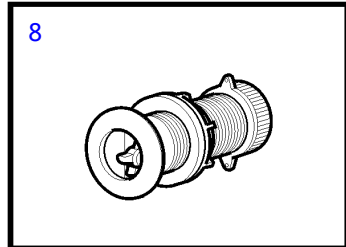
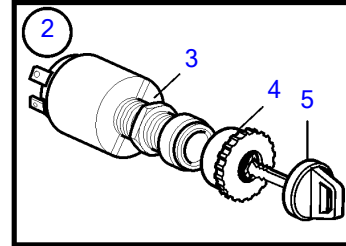
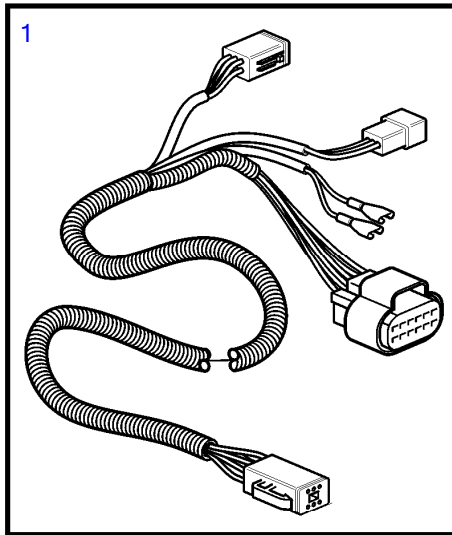
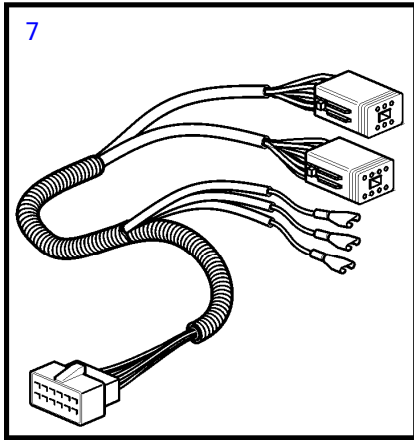
28554

D3-110I-A, D3-130I-A, D3-160I-A, D3-190I-A



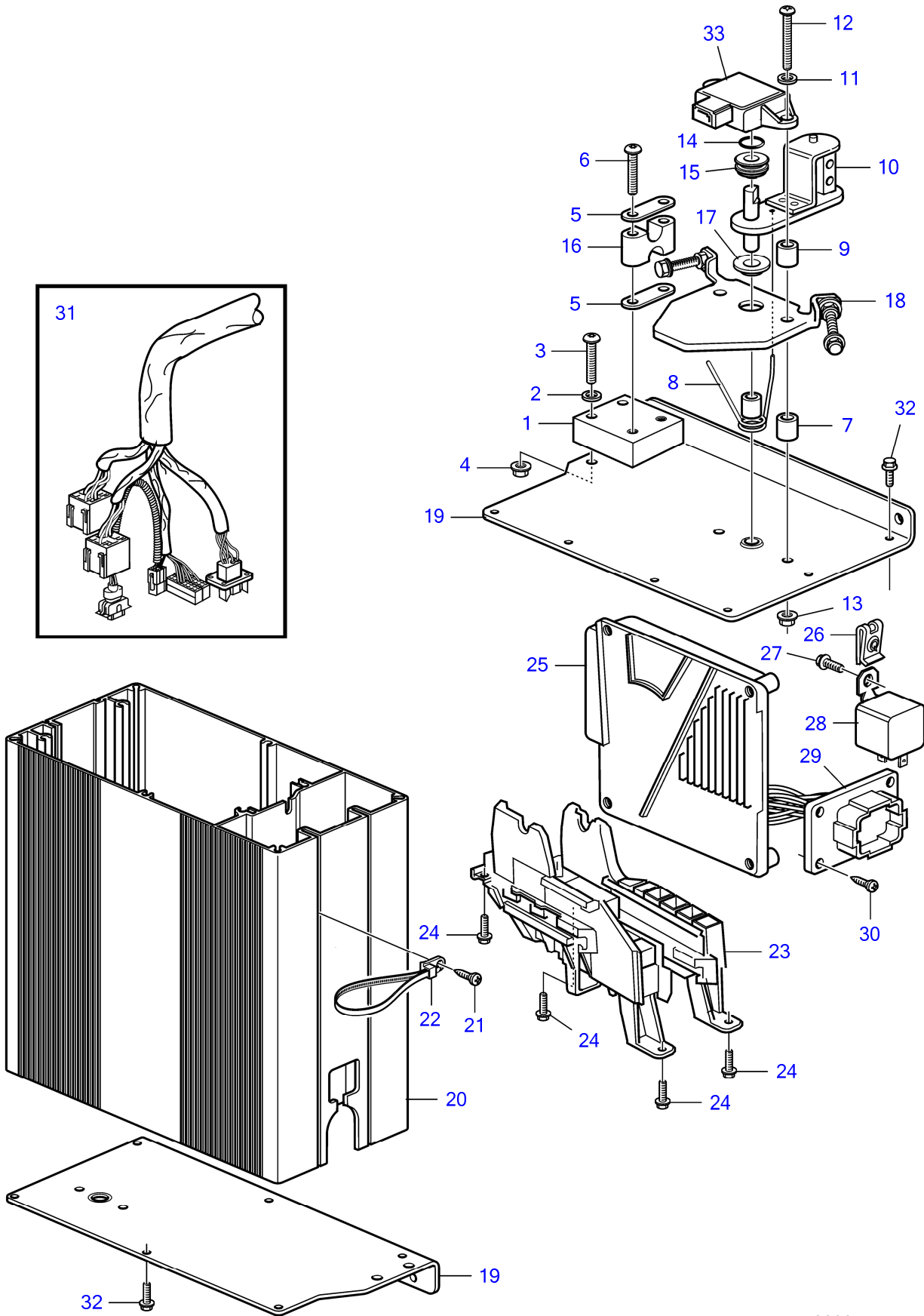
22884

D3-110I-A, D3-130I-A, D3-160I-A



19944

D3-110I-A, D3-110I-B, D3-110I-C, D3-130I-A, D3-130I-B, D3-130I-C, D3-160I-A, D3-160I-B, D3-160I-C, D3-190I-A, D3-190I-B, D3-190I-C



D3-110I-C, D3-130I-C, D3-160I-C, D3-190I-C

REF	PART NO.	QTY	DESCRIPTION	NOTES
30	874732	1	Mounting kit	Chrome D=85mm
31	874449	1	• Attaching ring	
32	874730	1	• Ring	
33	(874706)	1	• Gasket	
34	3885216	1	Mounting kit	Chrome D=110mm
35	3884098	1	• Attaching ring	
36	3884096	1	• Ring	
37	3884103	1	• Gasket	
38	881611	1	Brace kit	Black D=52mm
39	881607	1	• Brace	
40	881610	2	• Nut	
41	(881609)	2	• Stud	
42	874707	1	• Gasket	
43	874448	1	• Ring	
44	881612	1	Brace kit	Black D=85mm
45	881608	1	• Brace	
46	881610	2	• Nut	
47	(881609)	2	• Stud	
48	(874706)	1	• Gasket	
49	874447	1	• Ring	
50	881613	1	Brace kit	Chrome D=52mm
51	881607	1	• Brace	
52	881610	2	• Nut	
53	(881609)	2	• Stud	
54	874707	1	• Gasket	
55	874731	1	• Ring	
56	881614	1	Brace kit	Chrome D=85mm
57	881608	1	• Brace	
58	881610	2	• Nut	
59	(881609)	2	• Stud	
60	(874706)	1	• Gasket	
61	874730	1	• Ring	
62	3886791	1	X-ring	For flush mounting., D=110mm
63	874844	1	X-ring	For flush mounting., D=85mm
64	874843	1	X-ring	For flush mounting., D=52mm
65	874759	1	Extension cable	L=1000mm
	3807043	1	Extension cable	L=3000mm
66	3817974	1	Alarm	
67	3809099	1	Rudder position sens	Rudder indicator

D3-110I-D

REF	PART NO.	QTY	DESCRIPTION	SEE SEC.	NOTES
1	22117514	1	Wiring harness		
2		1	• Relay box	54160922	
3	22203111	1	Wiring harness		
4	22538986	1	Bracket		
5	973190	3	Six point socket scr		M8x35mm
6	955894	5	Washer		
7	22539084	5	Insulating bushing		
8	955895	2	Washer		M8x90mm
9	23378843	1	Bracket		
10	843075	2	Spacer sleeve		
11	984652	2	Flange screw		
12	22496091	1	Gasket		
13	22101934	1	Bracket		
14	872242	1	Relay		
15	948663	2	Flange screw		
16	21264221	1	Spacer nut		
17	947107	1	Flange screw		
18	946173	2	Flange screw		
19	948211	X	Cable tie		
20	22426555	1	Insulation		
21	21120406	1	Feed pump		
22	22396638	1	Wiring harness		

D3-110I-A, D3-130I-A, D3-160I-A

REF	PART NO.	QTY	DESCRIPTION	NOTES
1	3586943	1	Instrument panel	
2	874192	1	• Gasket	
3	874149	1	• Frame	
4	874191	1	• O-ring	
5	874193	1	• Round nut	
6	3842733	1	Extension cable	L=3.0m, (888243)
	888244	1	Extension cable	L=5.0m
	3842735	1	Extension cable	L=7.0m, (888245)
	3842736	1	Extension cable	L=9.0m, (888246)
	3842737	1	Extension cable	L=11.0m, (888247)

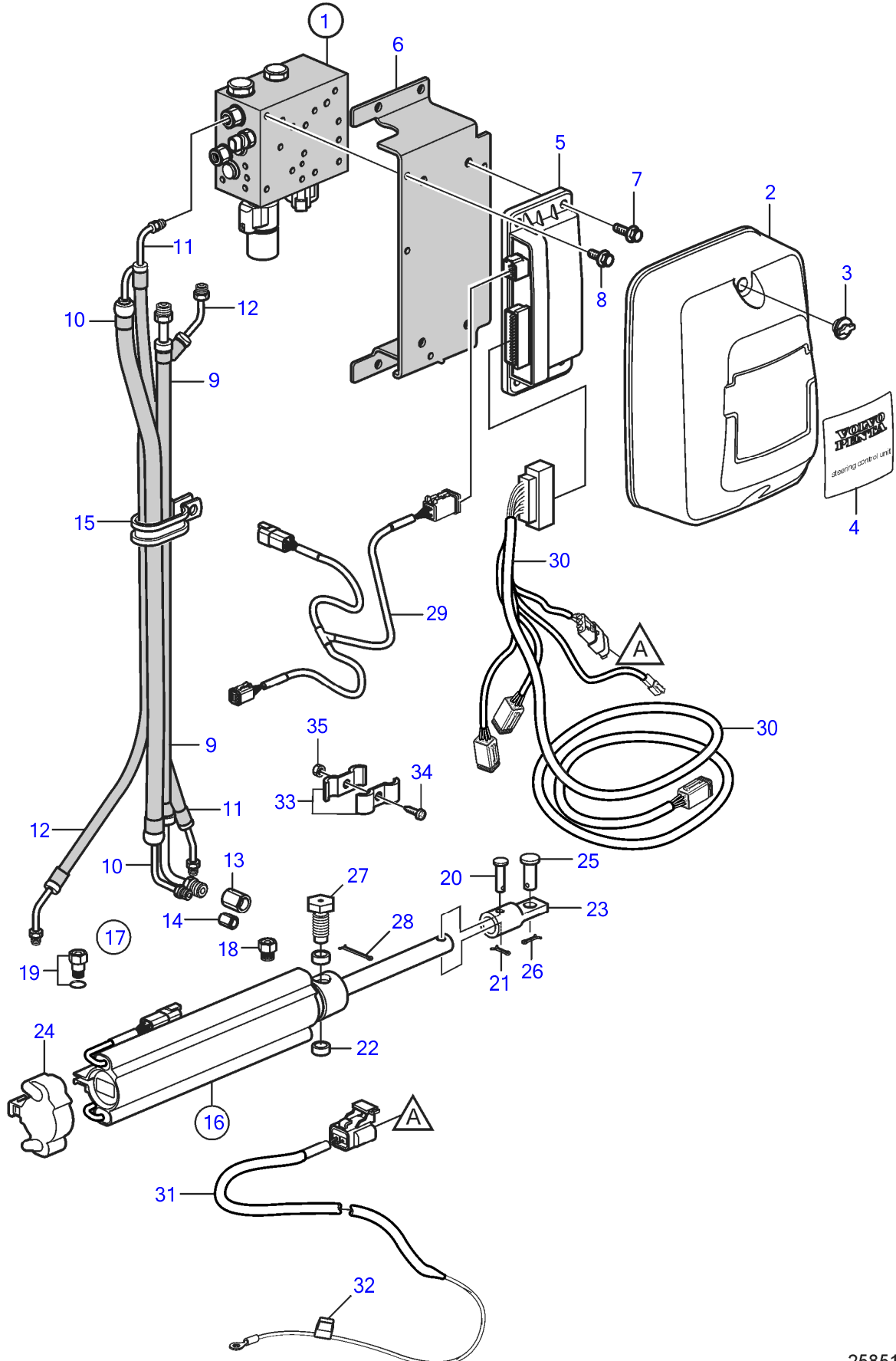
D3-110I-A, D3-110I-B, D3-110I-C, D3-130I-A, D3-130I-B, D3-130I-C, D3-160I-A, D3-160I-B, D3-160I-C, D3-190I-A, D3-190I-B, D3-190I-C

REF	PART NO.	QTY	DESCRIPTION	SEE SEC.	NOTES
1	23715874	1	Tachometer		4000 RPM, 12V-24V
			.	181	
2	(23576989)	1	• Tachometer		4000 RPM, 12V-24V
3	23621648	1	• Front ring		
4	23621687	1	• Attaching ring		
5	23620991	1	• Wiring harness		
6	23621671	1	• Mounting ring, Kit		
7	(874706)	1	• • Gasket		
8		1	• • Adapter ring		
9		1	• • Adapter ring		
1	23715875	1	Tachometer		6000 RPM, 12V-24V
2	(23576990)		• Tachometer		6000 RPM, 12V-24V

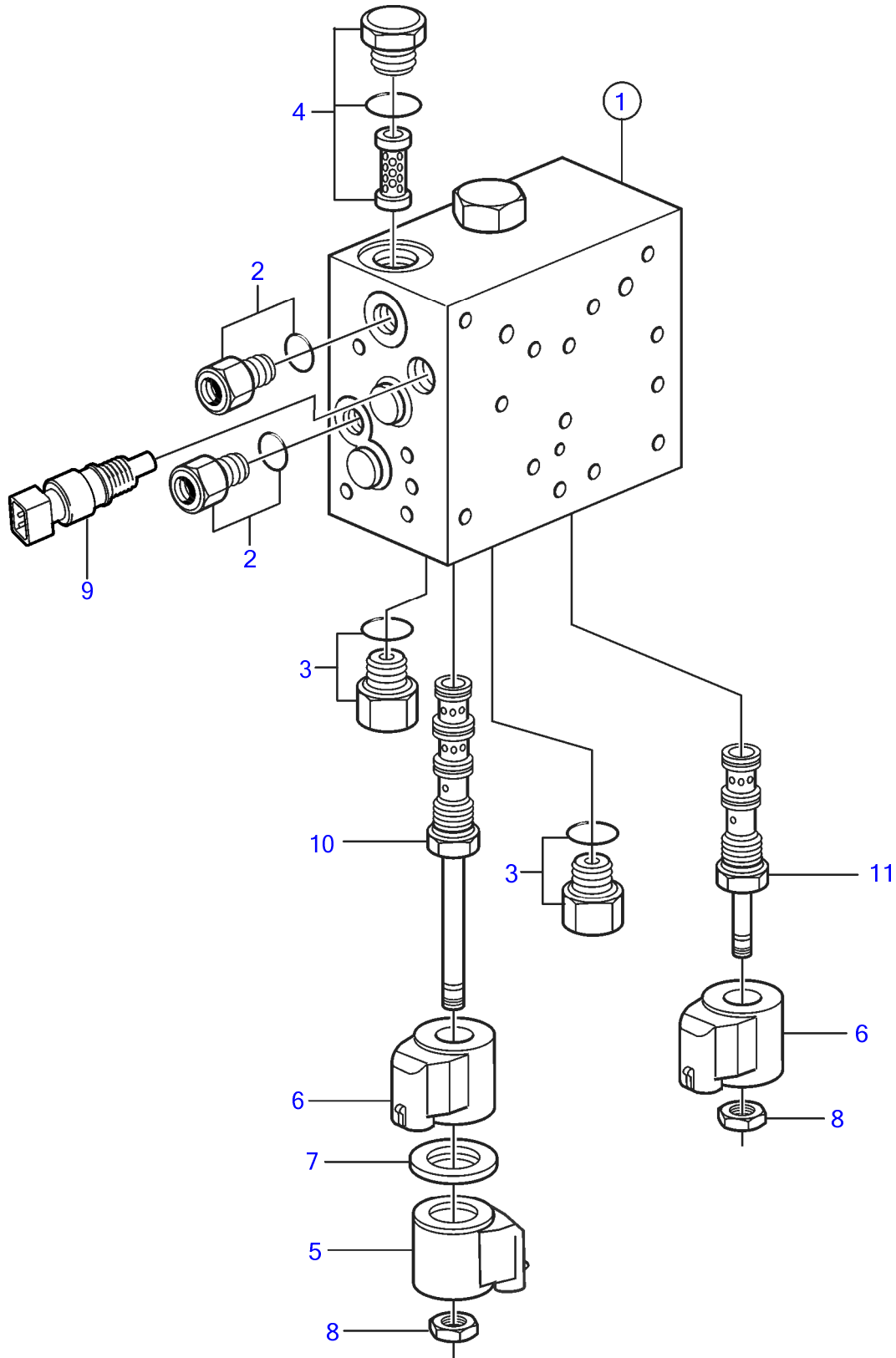
D3-110I-A, D3-110I-B, D3-110I-C, D3-110I-D, D3-130I-A, D3-130I-B, D3-130I-C, D3-160I-A, D3-160I-B, D3-160I-C, D3-190I-A, D3-190I-B, D3-190I-C

REF	PART NO.	QTY	DESCRIPTION	SEE SEC.	NOTES
1	3985597	1	Adapter		L=32mm
	3985620	1	Adapter		
2	3987768	2	Adapter		
3	3987767	2	Adapter		
4	3171420	1	Relay		
5	20375186	12	Terminal		
	3963409	3	Terminal		
	3986767	X	Cable terminal		O.D=0,3mm
	11039671	3	Terminal		
	881788	X	Cable terminal		
6	20409386	6	Insulator		
7	11039397	1	End sleeve		
8	1079283	1	Insulator cover		
9	973122	5	Terminal		
10	973121	1	Terminal		
11	874114	1	Housing		
12	874115	1	Wedge		
13	874220	2	Cable terminal		
14	874250	2	Terminal		For 874114
15	874033	6	Terminal		
	192396	X	Terminal		
16	873959	1	Breaker		Stop
17	873944	1	Retainer		For fuse 980555
18	873854	2	Sealing sleeve		
19	874111	1	Fuse holder		10 amp
20	3587154	3	Cable terminal		
	3587151	1	Cable terminal		
21	3587172	1	Relay socket		
22	3587173	1	Relay box		Replaced by 21494263
	21494263	1	Relay box		
23	3587461	X	Sealing plug		
	3587158	1	Sealing wire		
	3587170	3	Sealing wire		
	970771	X	Cavity plug		I.D=3,4mm Y.D=6,0mm
	8159012	X	Seal		I.D=0,1mm Y.D=3,9mm
24	9806110	2	Coupling piece		
	3171511	X	Manifold		D=10mm
	3171768	X	Manifold		D=13mm
	7807398	1	Coupling piece		
	7807403	1	Coupling piece		
25	3943200	2	Manifold		L=68,8mm
	3986692	1	Manifold		
	3987598	1	Manifold		L=48,2mm
	3988390	1	Manifold		L=57,9mm
26	3963412	1	Housing		
27	3985598	1	Adapter		D=25,8mm
	3987766	2	Adapter		D=24mm
28	8141886	1	Adapter		D=22mm
29	874558	X	Hose		I.D=8,5mm
	874559	X	Hose		I.D=10mm
	874560	X	Hose		I.D=13mm
	874561	X	Hose		I.D=17mm
	874562	X	Hose		I.D=22mm
	874563	X	Hose		I.D=26mm
30	20429993	1	Pass-through		
31	881600	X	Cable terminal		
32	874368	1	Receptacle housing		
33	20429872	1	Housing		
34	20429873	X	Insulator cover		
35	20450150	1	Adapter		
36	3943090	X	Manifold		
37	874456	1	Receptacle housing		

D3-130I-C, D3-160I-C, D3-190I-C



D3-130I-C, D3-160I-C, D3-190I-C



D3-110I-D

REF	PART NO.	QTY
1	21330506	1
2	40005089	4
3	992404	4
4	953060	2
5	847690	2
6	21264221	2
7	945444	4
8	21330148	1
9	1678297	1
10	984850	1

DESCRIPTION	SEE SEC.	NOTES
Cylinder Block	54171530	D3-110I-B, D3-110I-C, D3-130I-B, D3-130I-C, D3-160I-B, D3-160I-C, D3-190I-B, D3-190I-C, D3-190I-A
Cylinder Block	54161873	D3-190I-A
Cylinder Block	54169427	D3-110I-A, D3-130I-A, D3-160I-A
Cylinder Block	54160886	D3-110I-A, D3-110I-B, D3-110I-C, D3-130I-A, D3-130I-B, D3-130I-C, D3-160I-A, D3-160I-B, D3-160I-C, D3-190I-B, D3-190I-C, D3-110I-D, D3-190I-A
Flywheel Housing	54170161	D3-110I-A, D3-110I-B, D3-110I-C, D3-130I-A, D3-130I-B, D3-130I-C, D3-160I-A, D3-160I-B, D3-160I-C, D3-190I-B, D3-190I-C, D3-190I-A
Flywheel Housing	54160825	D3-110I-D

DESCRIPTION	SEE SEC.	NOTES
Fuel Filter and Water Separator	54169755	D3-110I-A, D3-110I-B, D3-110I-C, D3-130I-A, D3-130I-B, D3-130I-C, D3-160I-A, D3-160I-B, D3-160I-C, D3-190I-B, D3-190I-C, D3-190I-A
Fuel Filter and Water Separator	54171218	D3-110I-A, D3-110I-B, D3-110I-C, D3-130I-A, D3-130I-B, D3-130I-C, D3-160I-A, D3-160I-B, D3-160I-C, D3-190I-B, D3-190I-C, D3-190I-A

DESCRIPTION	SEE SEC.	NOTES
Expansion Tank	54171359	D3-110I-B, D3-110I-C, D3-130I-B, D3-130I-C, D3-160I-B, D3-160I-C, D3-190I-B, D3-190I-C, D3-190I-A
Expansion Tank	54169680	D3-110I-A, D3-130I-A, D3-160I-A
Expansion Tank	54160840	D3-110I-A, D3-110I-B, D3-110I-C, D3-130I-A, D3-130I-B, D3-130I-C, D3-160I-A, D3-160I-B, D3-160I-C, D3-190I-B, D3-190I-C, D3-110I-D, D3-190I-A
Sea Water Pump	54171423	D3-110I-B, D3-130I-B
Sea Water Pump	54171424	D3-110I-C, D3-130I-C, D3-160I-B, D3-160I-C, D3-190I-B, D3-190I-C, D3-190I-A
Sea Water Pump	54160524	D3-110I-A, D3-130I-A, D3-160I-A
Seawater Pump and Hoses, Inboard	54160824	D3-110I-D

REF	DESCRIPTION	SEE SEC.
370	General and Wiring Diagrams	370
371	Cables	371

CLICK HERE TO **DOWNLOAD** THE COMPLETE MANUAL

- Thank you very much for reading the preview of the manual.
- You can download the complete manual from: www.heydownloads.com by clicking the link below



- Please note: If there is no response to CLICKING the link, please download this PDF first and then click on it.

CLICK HERE TO **DOWNLOAD** THE COMPLETE MANUAL