

7210

CLICK HERE TO **DOWNLOAD** THE COMPLETE MANUAL

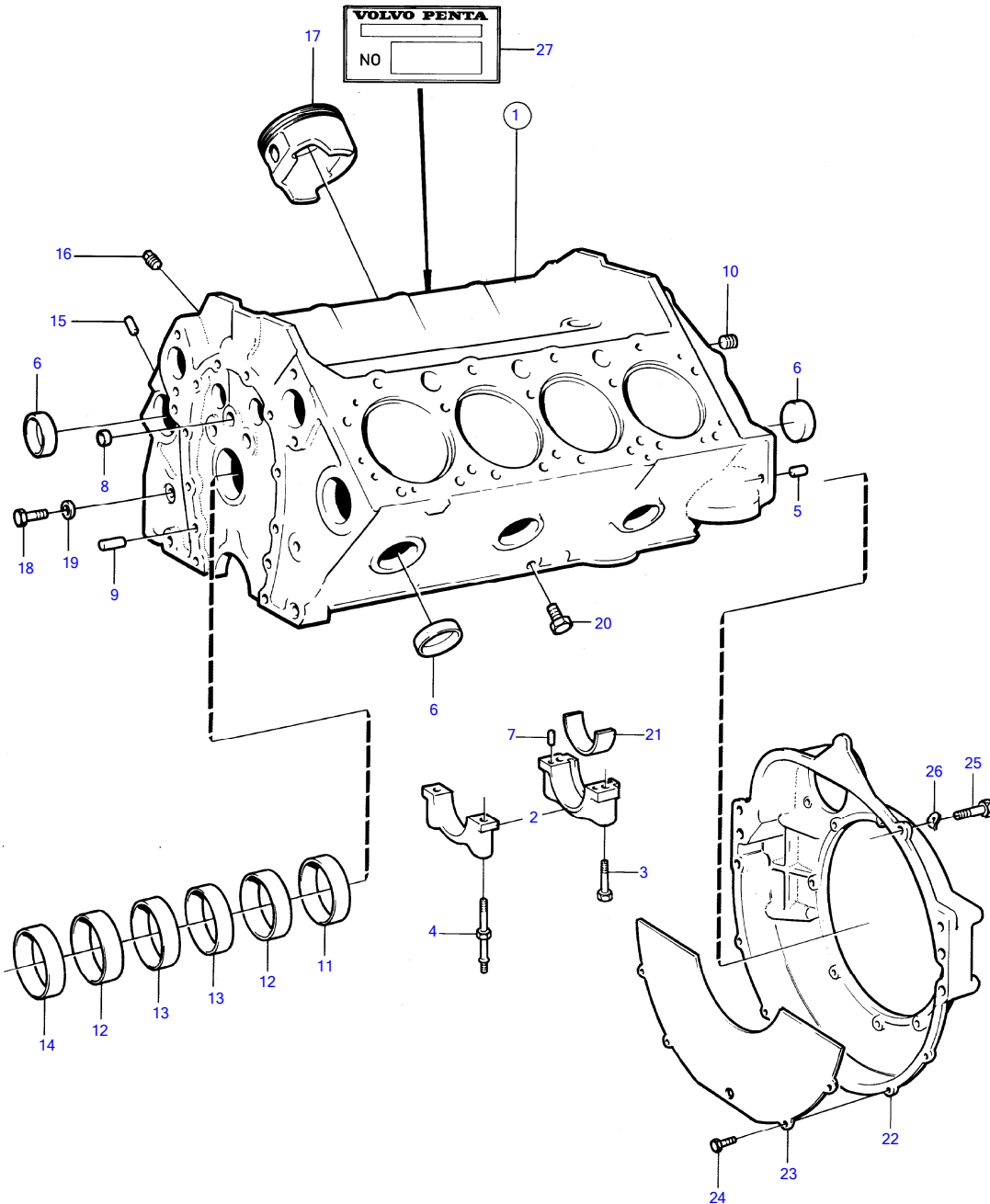
- Thank you very much for reading the preview of the manual.
- You can download the complete manual from: [www.heydownloads.com](http://www.heydownloads.com) by clicking the link below



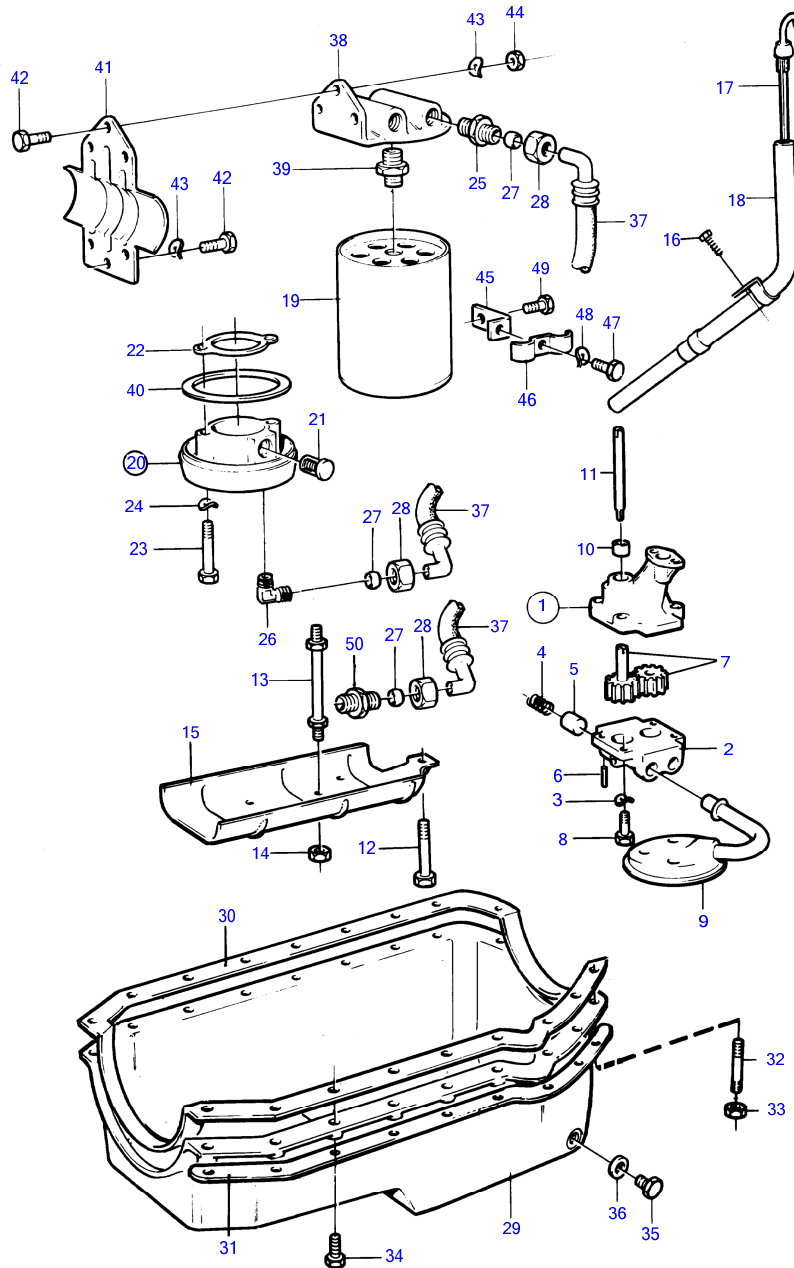
- Please note: If there is no response to CLICKING the link, please download this PDF first and then click on it.

CLICK HERE TO **DOWNLOAD** THE COMPLETE MANUAL

BB231A

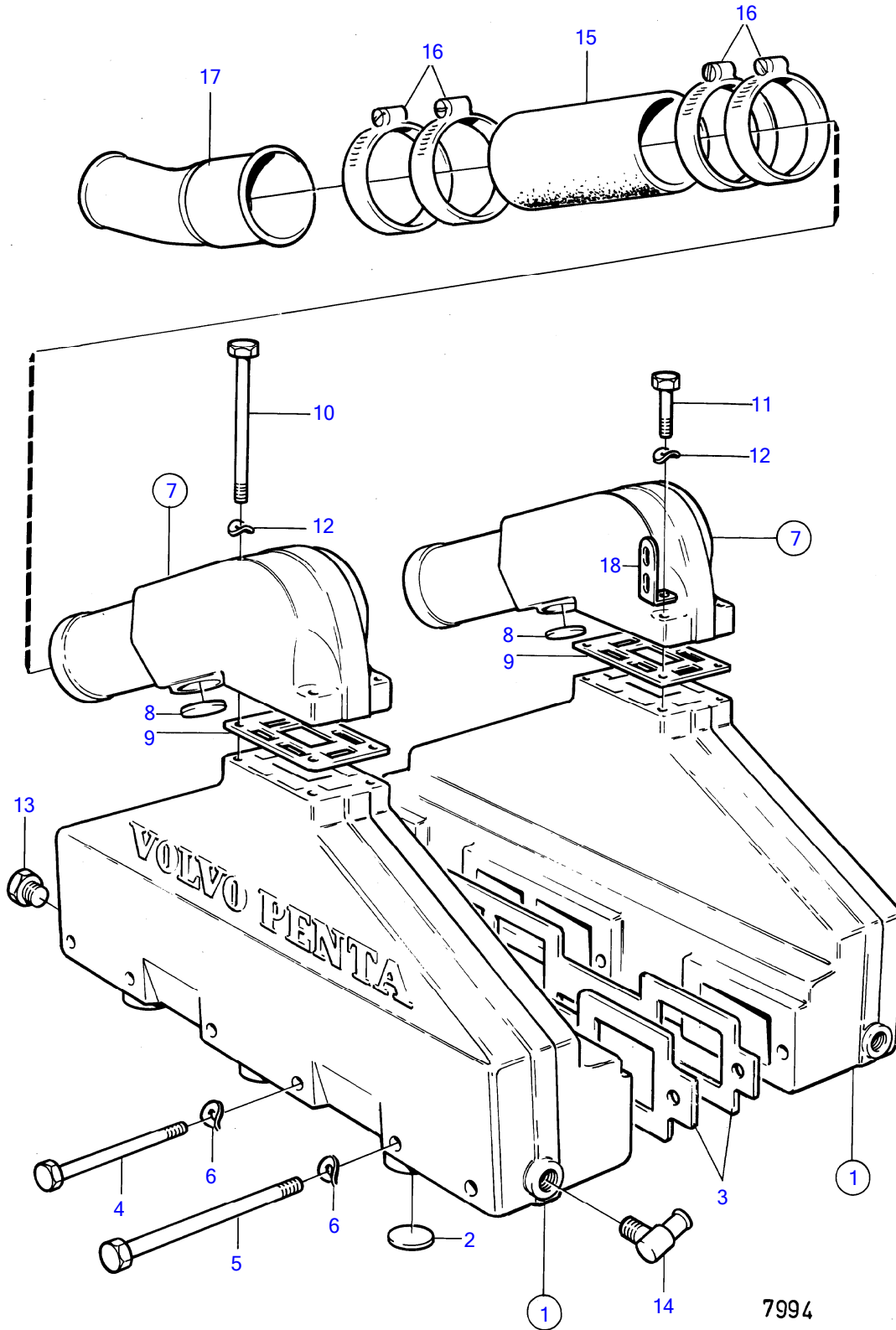


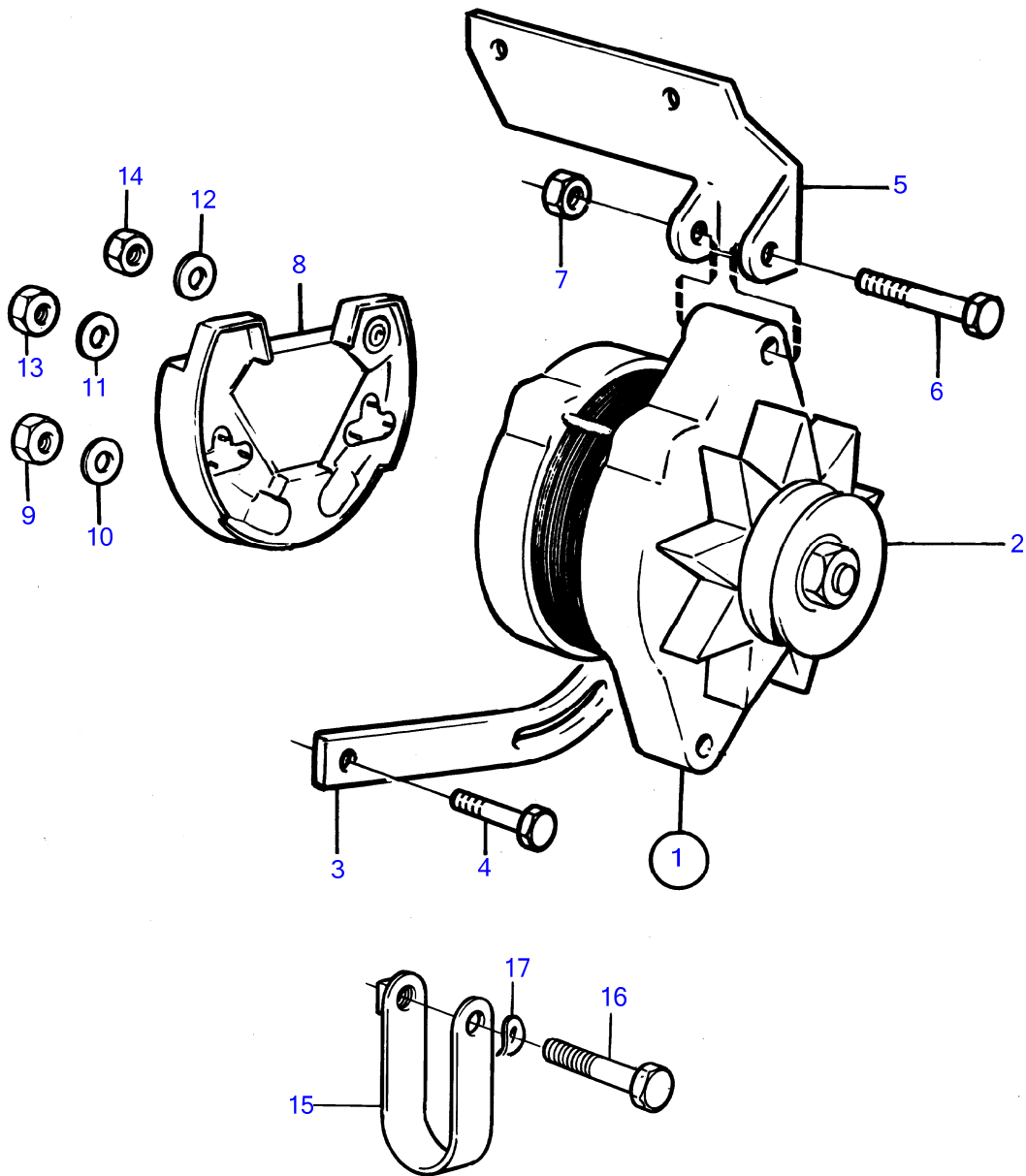
6218



9362

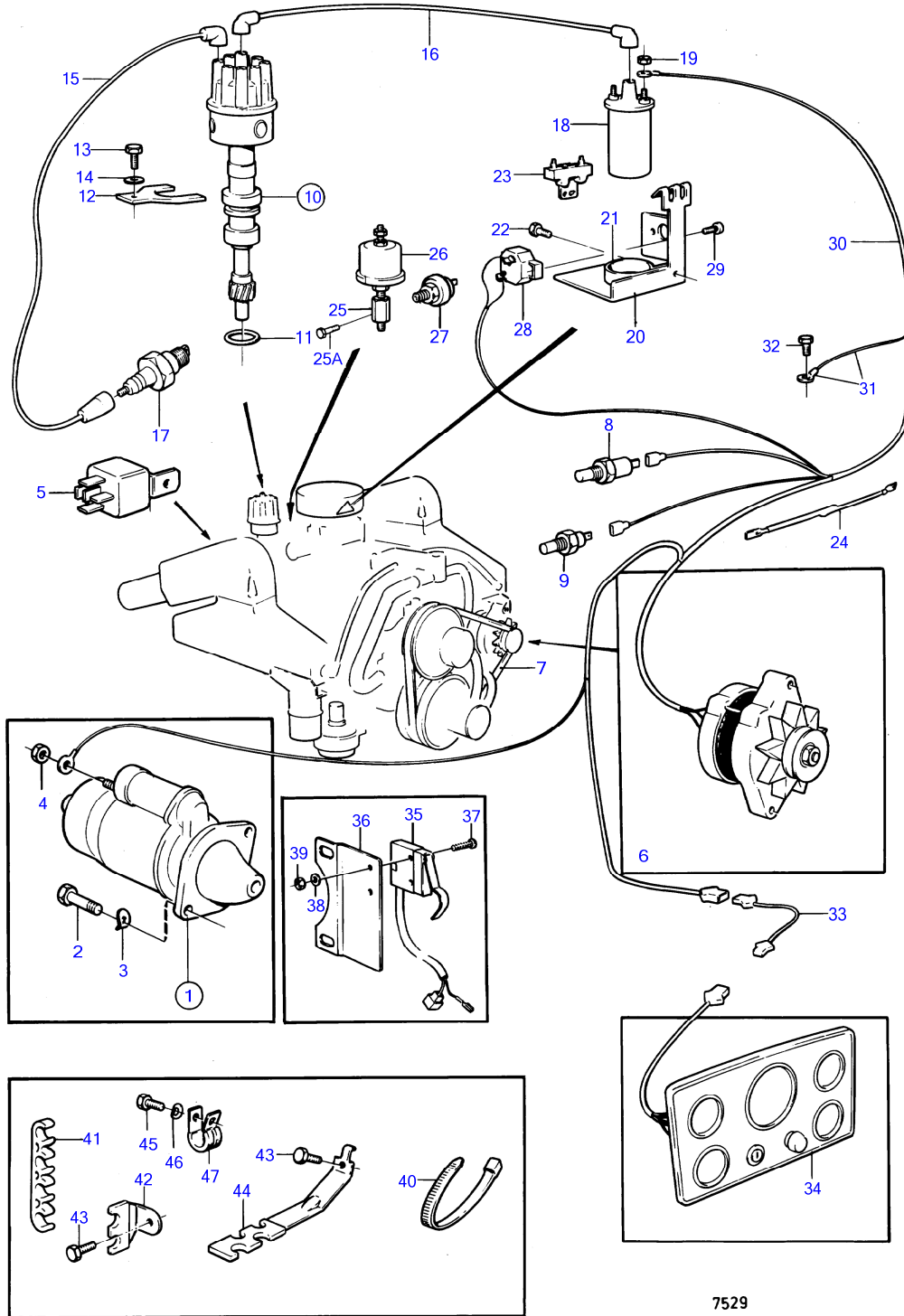
BB231A, BB261A





8281

BB231A, BB261A



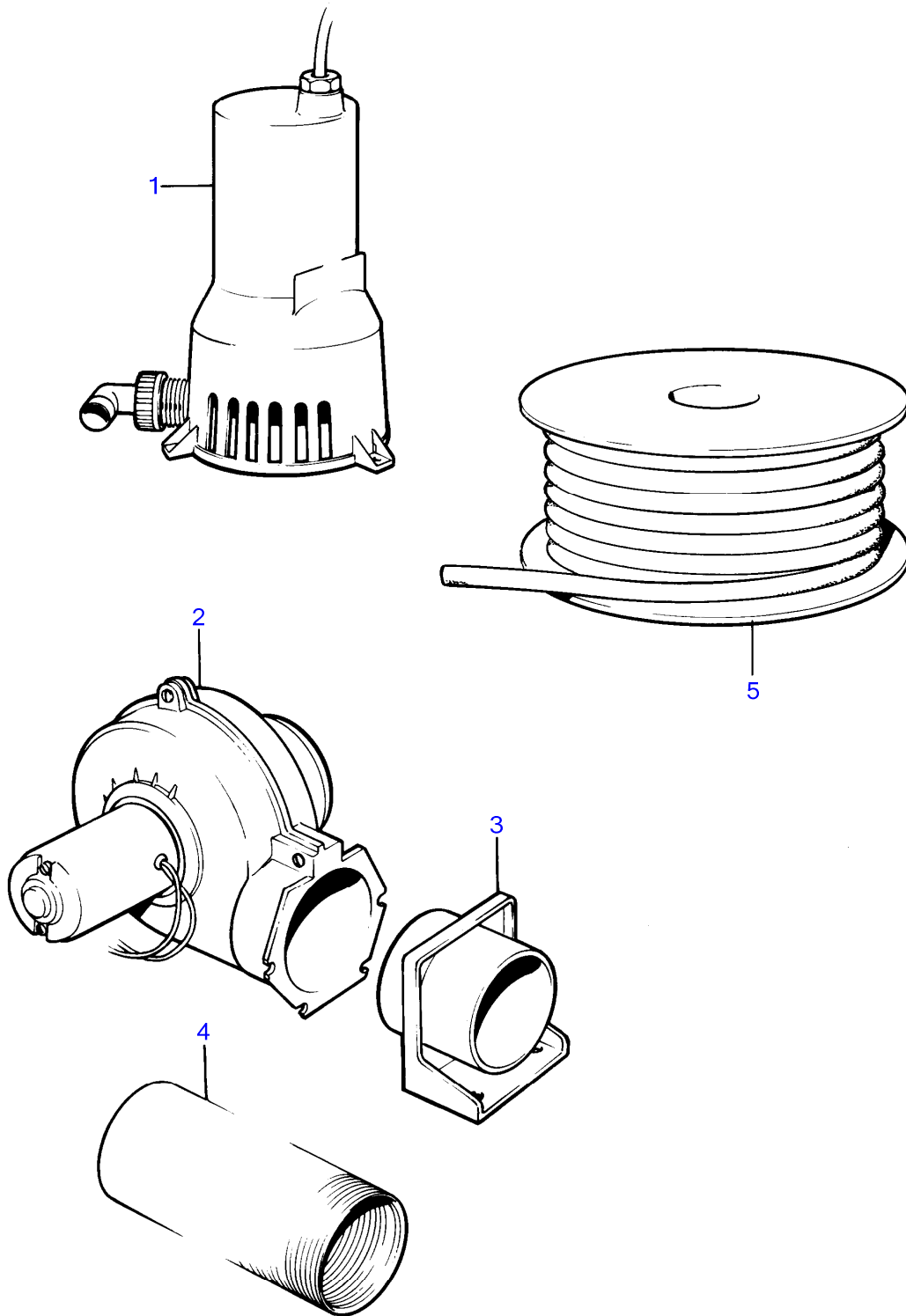
7529

BB261A

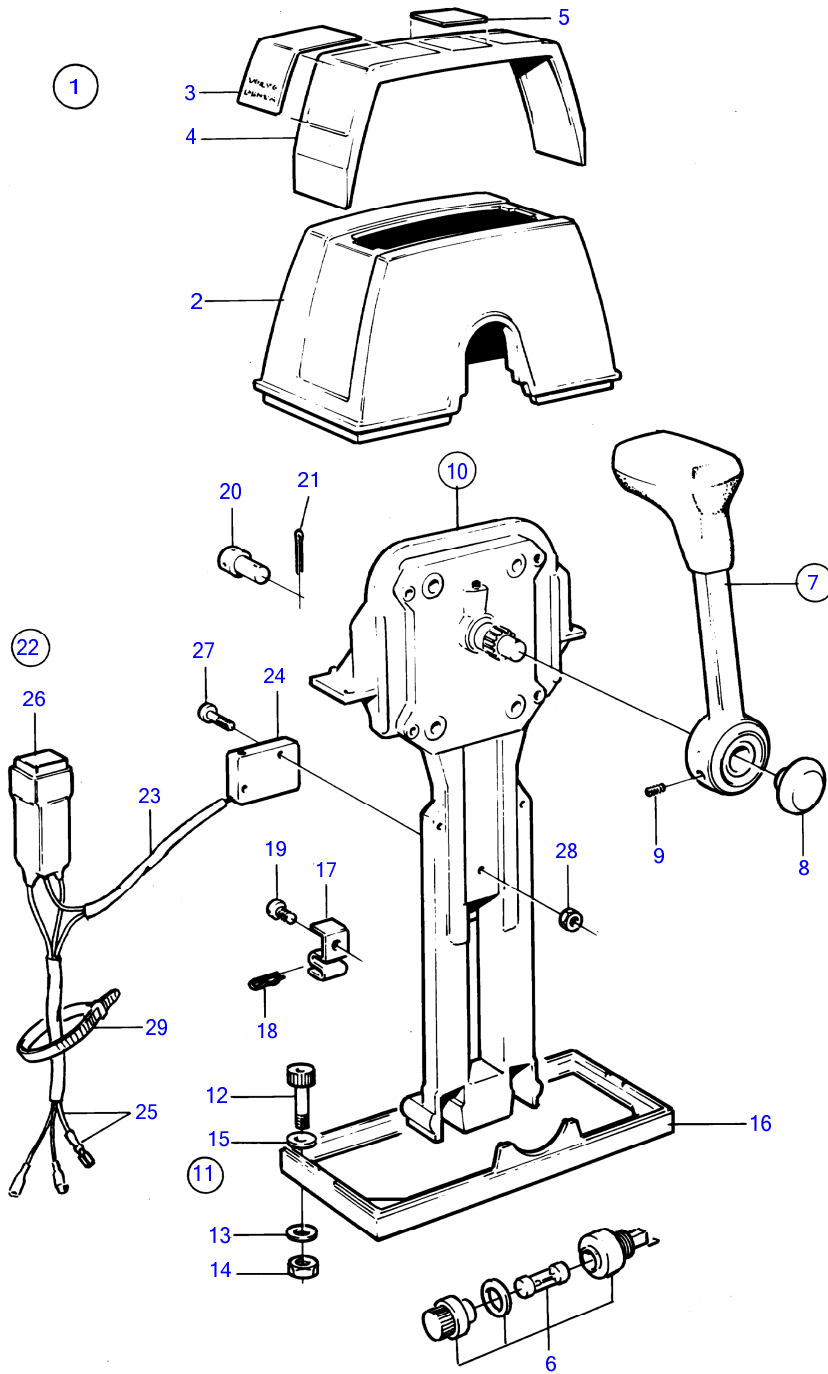
REF	PART NO.	QTY	DESCRIPTION	NOTES
1	853397	1	Reverse gear	Ratio 1,54:1
	853781	1	Reversing gear	Ratio1,93:1. early type
				Late type
			• components	See group 4B
2B	(855896)	1	Suction pipe	
3	842913	1	Sealing ring	
4	946544	2	Flange screw	
5	965556	1	Bracket	SN70547-
6	952637	1	Clamp	
7	955781	1	Hexagon nut	
8	946544	2	Flange screw	
9	852968	1	Coolant pipe	
10	842913	1	Sealing ring	
11	946544	1	Flange screw	
12		X	propeller shaft flange	
13		X	cooling water intake	

BB231A, BB261A

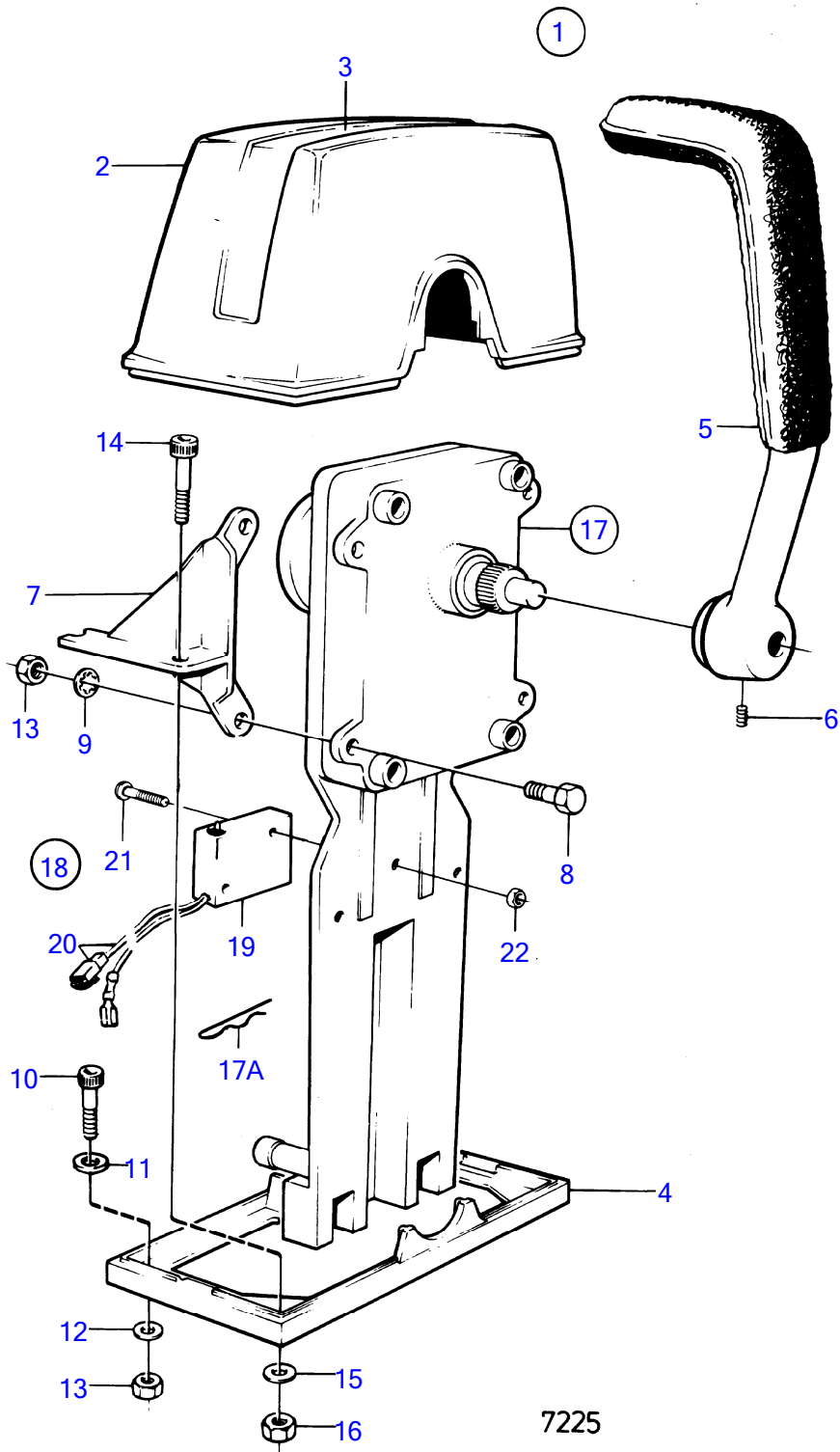
REF	PART NO.	QTY	DESCRIPTION	SEE SEC.	NOTES
1	(852031)	1	Drive unit		
2	(852032)	1	• Electric motor		12V, repl by 852031
3		1	• gear		
4		1	• bracket		
5		2	• screw		
6		1	• decal		
7		X	steering cable	54152668	
8		X	steering cylinder	54152668	
9	825765	X	Choke control		L=3300mm alt
	825764	X	Choke control		L=6900mm alt
10	(851744)	1	Control	54152669	
11	(851743)	1	Transfer gear	54152669	
12	(853107)	1	Adapter kit		
13		1	• adapter		
14	(853109)	1	• Shaft		



8811



8885



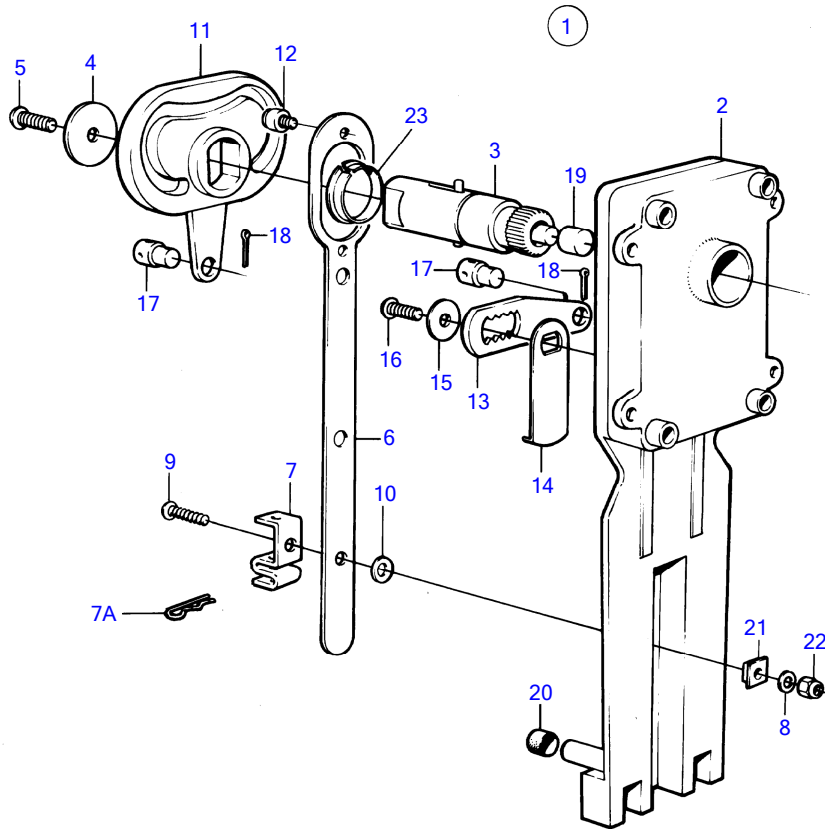
CLICK HERE TO **DOWNLOAD** THE COMPLETE MANUAL

- Thank you very much for reading the preview of the manual.
- You can download the complete manual from: [www.heydownloads.com](http://www.heydownloads.com) by clicking the link below

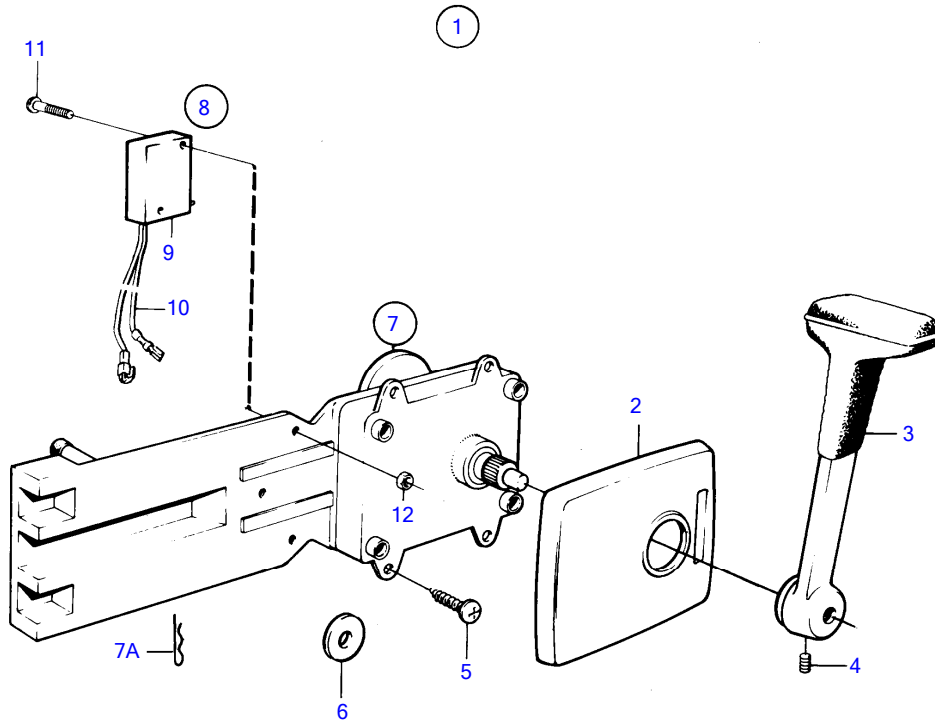


- Please note: If there is no response to CLICKING the link, please download this PDF first and then click on it.

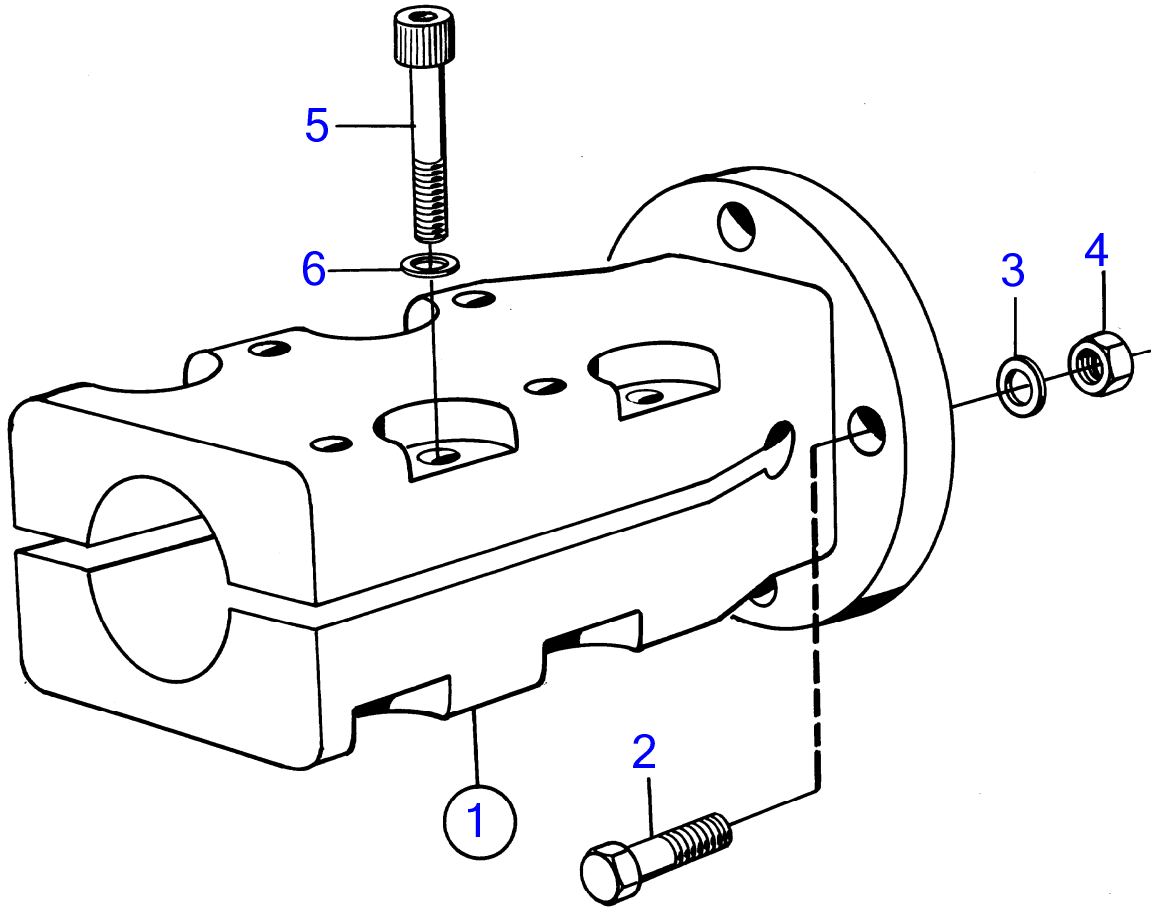
CLICK HERE TO **DOWNLOAD** THE COMPLETE MANUAL



7600

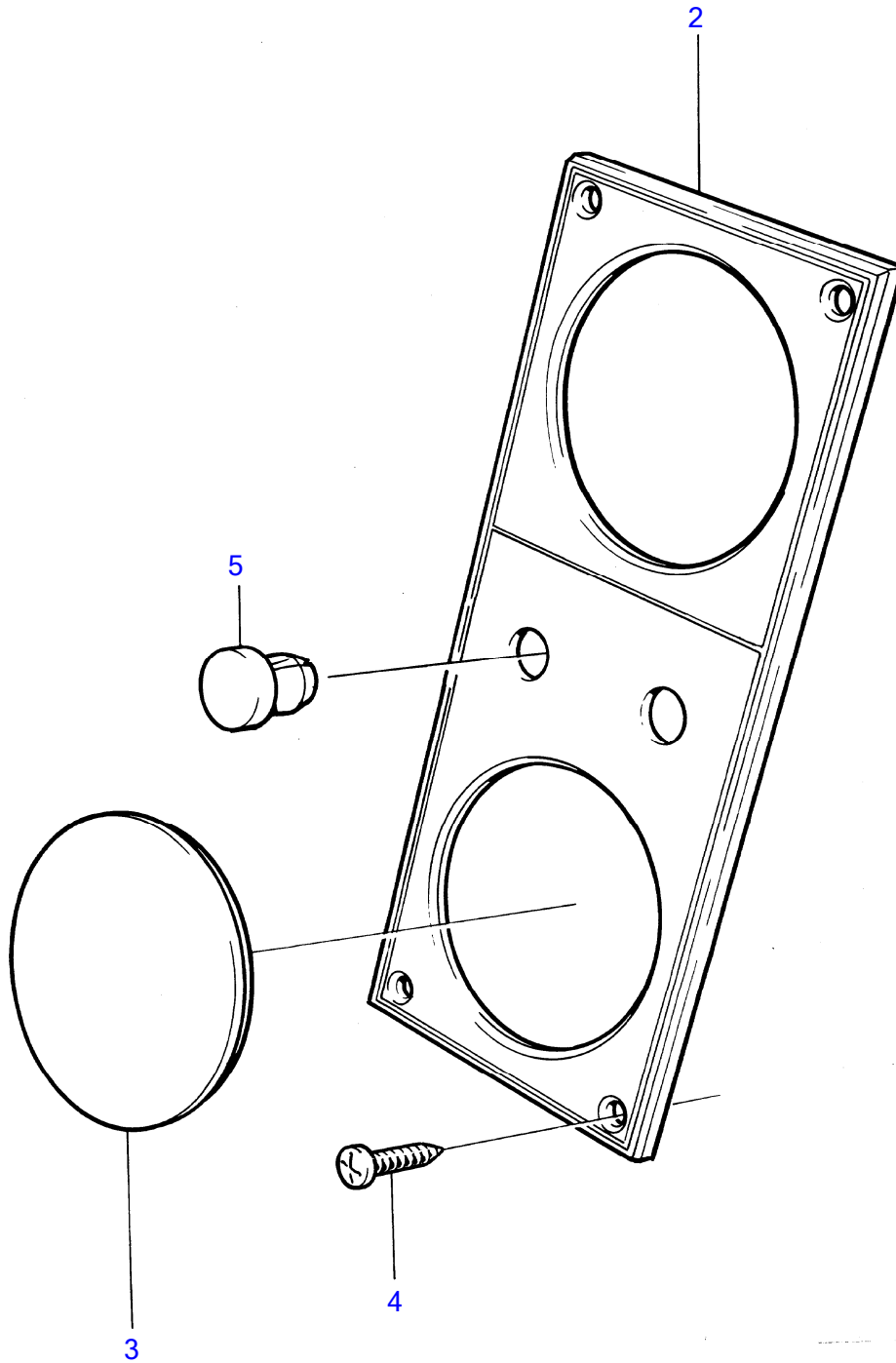


9053

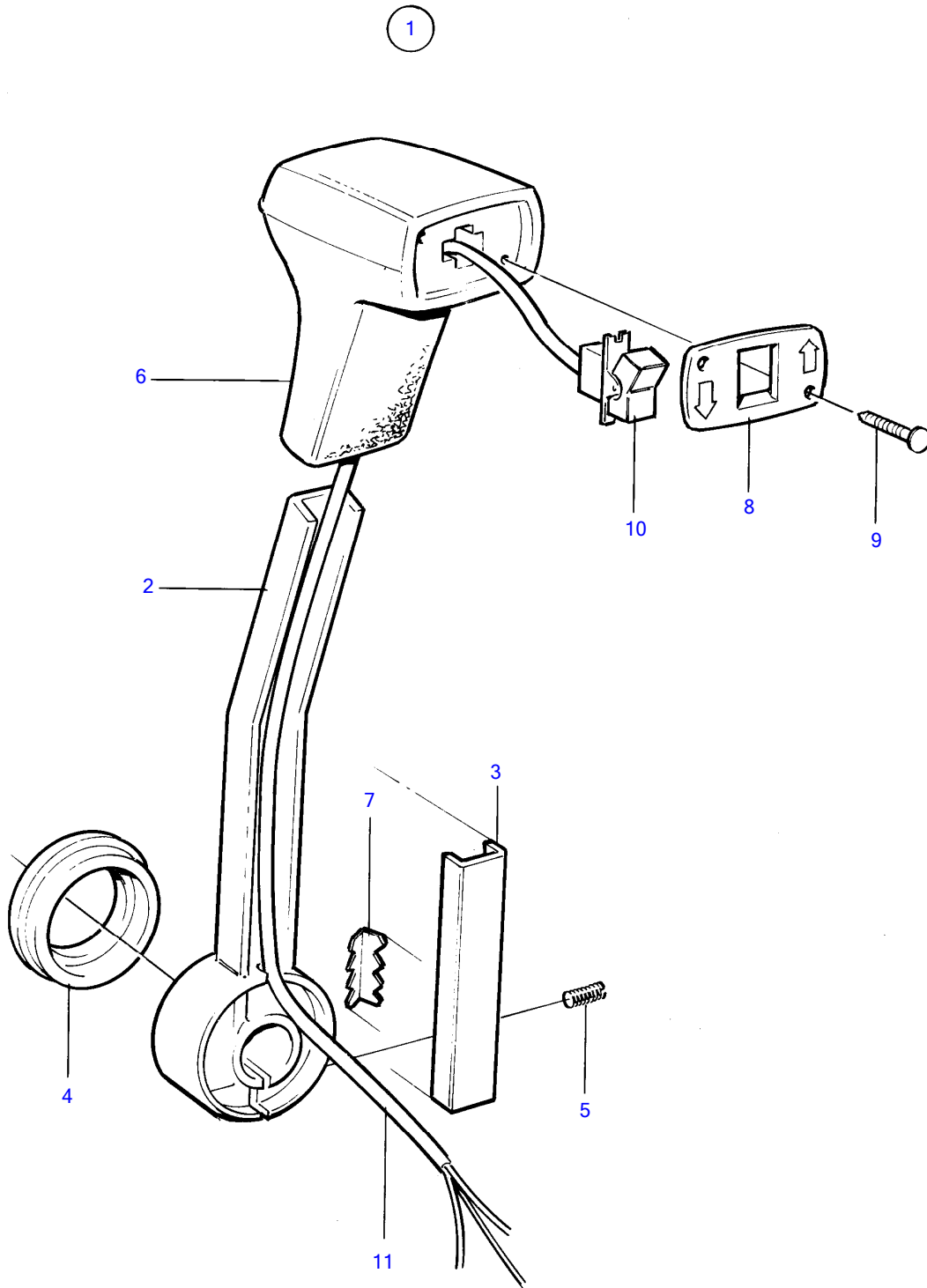


4623

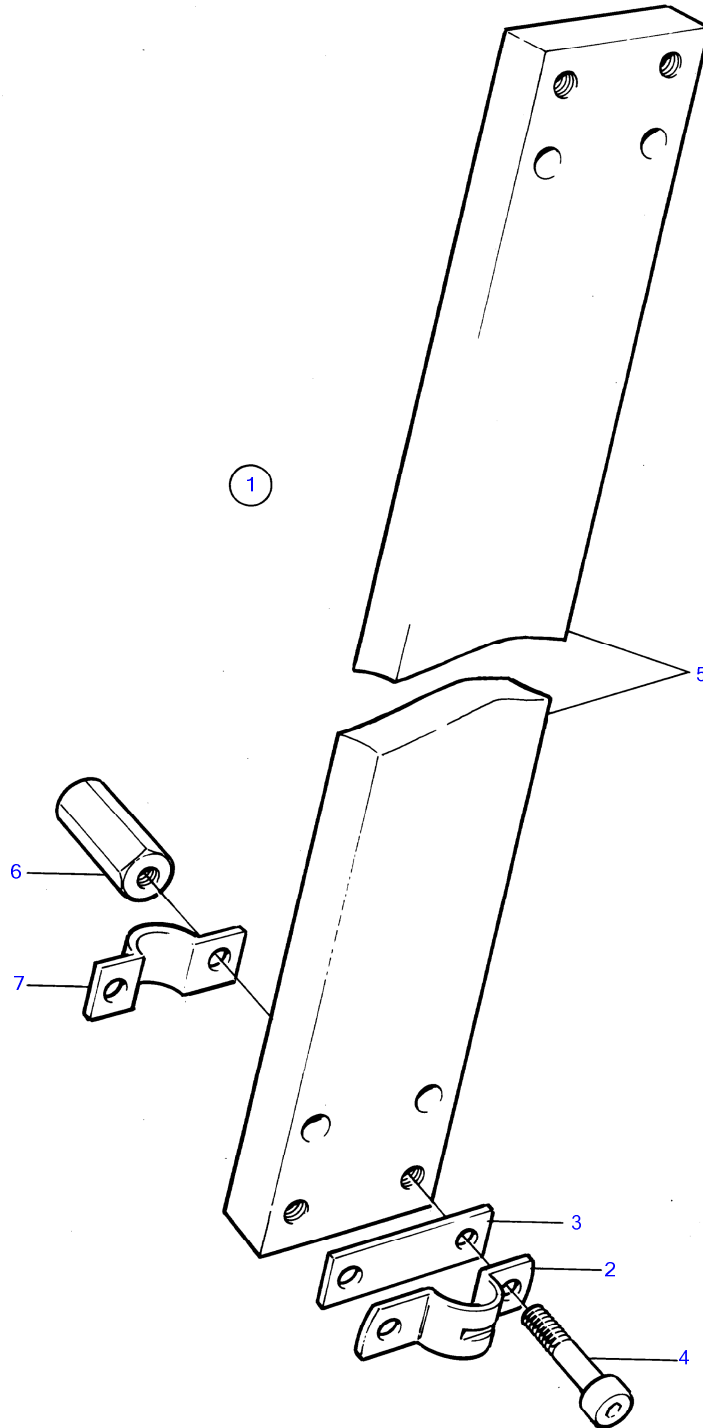
1



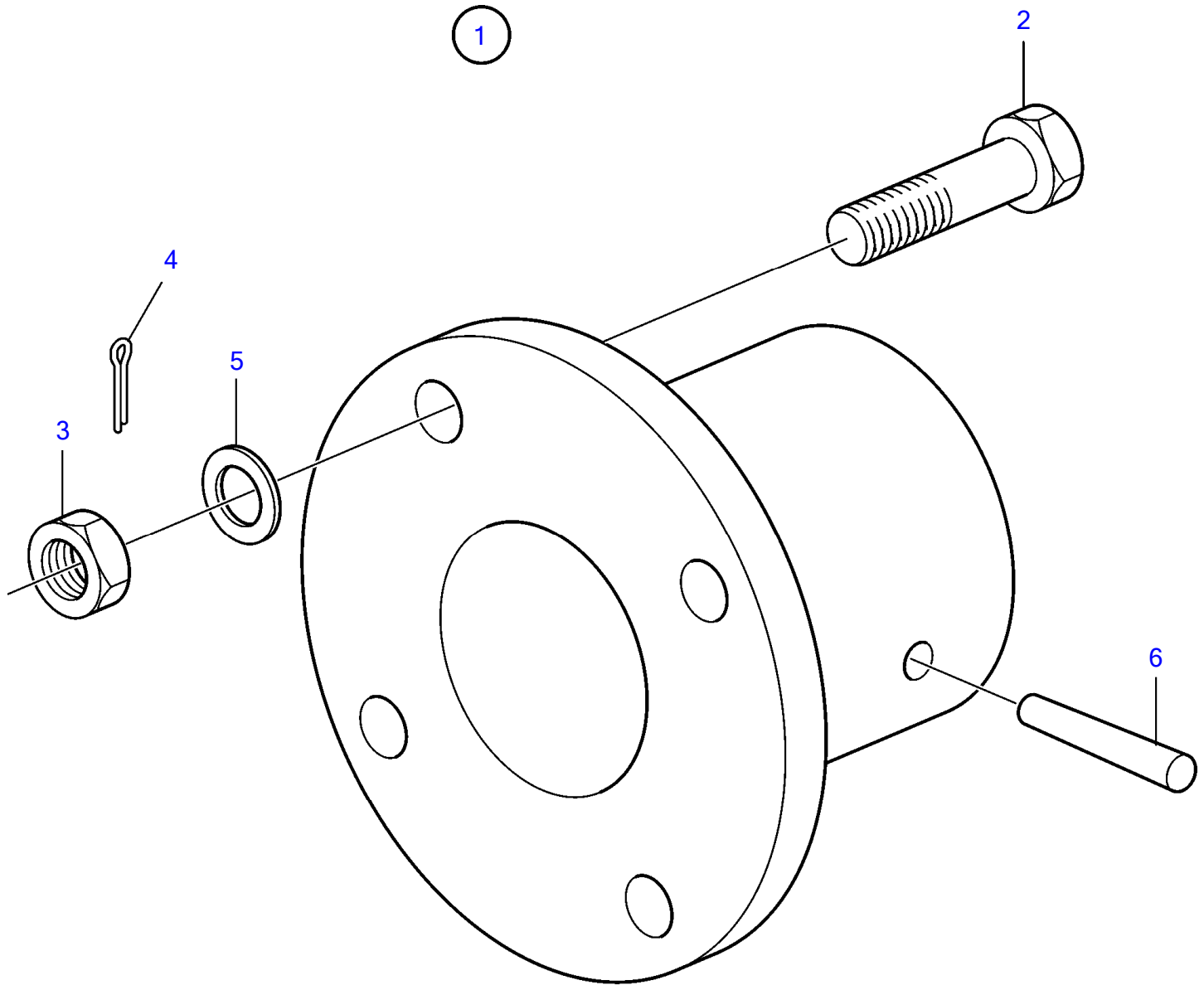
5371



8848

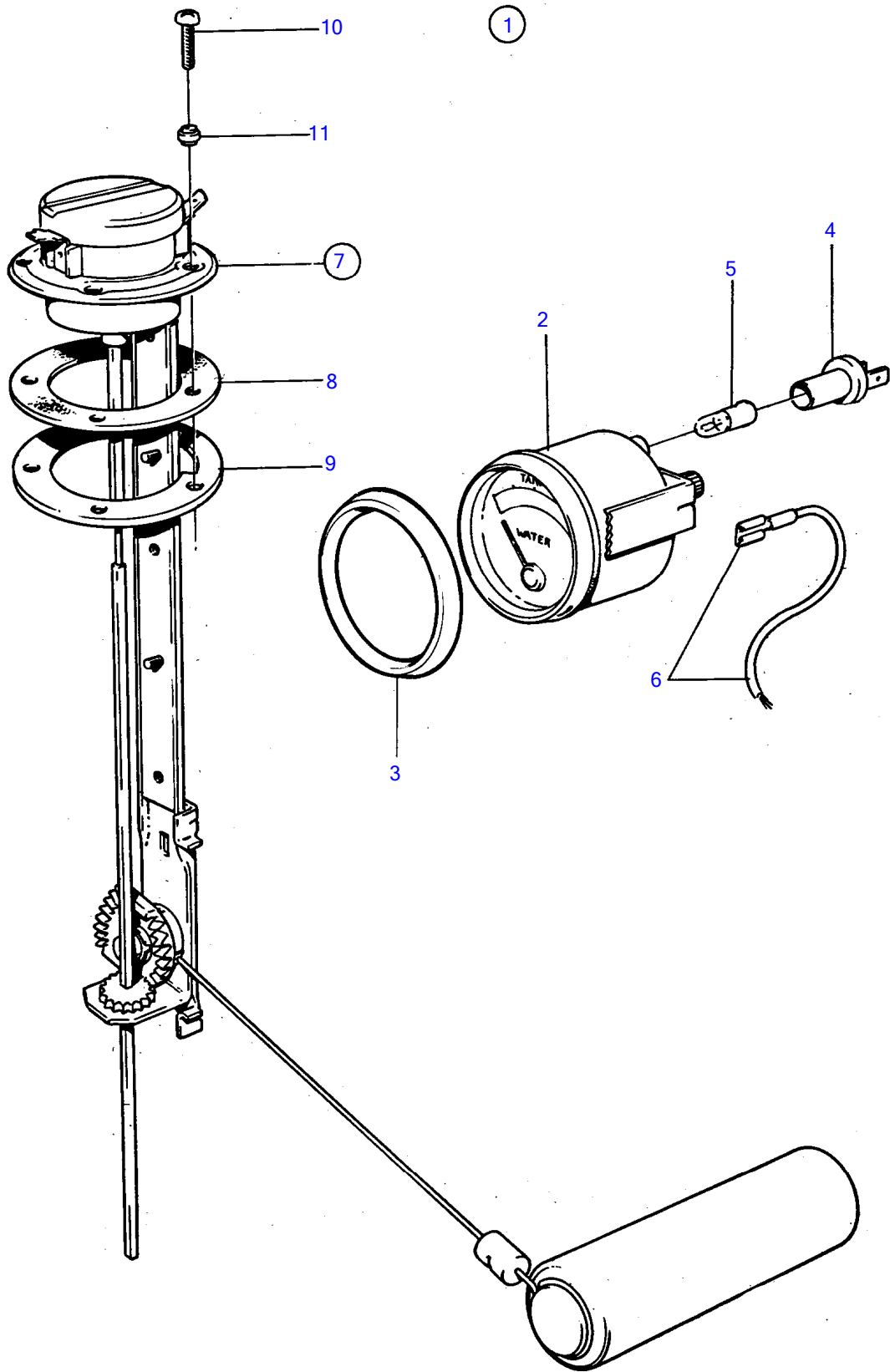


8883



4624

BB231A, BB261A



## BB231A, BB261A

REF	PART NO.	QTY	DESCRIPTION	NOTES
1	(856536)	1	Base engine	BB231A, repl by 856704
	(856060)	2	• Cylinder head	
	856474	2	• Gasket	
	835077	14	• Screw	
	835079	4	• Bolt plate	
	955550	16	• Hexagon screw	
	856664	4	• Valve cover	
	856442	2	• Oil filler cap	
	856072	2	• Gasket	
	856400	8	• Screw	
	856059	1	• Cylinder block	
	(841860)	8	• Inlet valve	Inlet, Std
	835541	8	• Exhaust valve	Exhaust, Std
	835102	16	• Spring	
	841782	8	• Valve spring washer	Inlet
	855825	8	• Valve spring washer	Exhaust
	(855564)	1	• Sealing kit	
	835401	32	• Valve cotter	
	841781	16	• Shield	
	841941	16	• Push rod	
	835089	16	• Tappet	
	856421	16	• Rocker arm	
	856422	1	• Timing gear casing	
	841038	1	• Setting indicator	
	943629	10	• Flange screw	
	856663	1	• Gasket	
	835465	1	• Camshaft	
	856068	1	• Chain gear	
	856069	1	• Chain gear	
	856070	1	• Camshaft chain	
	940135	3	• Hexagon screw	
	941907	3	• Spring washer	
	(855806)	1	• Crankshaft	
	835057	1	• Pin	
	856420	1	• Vibration damper	
	835059	2	• Key	
	855814	1	• Flywheel	
	835439	6	• Screw	
	941909	6	• Spring washer	
	841867	8	• Connecting rod	
	856669	8	• Big-end bearing	Std
	856437	1	• Sump	
	855819	1	• Gasket	
	841215	1	• Plug	
	856295	1	• Gasket	
	841734	1	• Baffle plate	
	946420	5	• Lock nut	
	855817	1	• Reinforcing plate	Right SIDE
	855818	1	• Reinforcing plate	Left side
	955826	2	• Hexagon nut	
	955894	2	• Washer	
	940100	14	• Hexagon screw	
	955893	14	• Washer	
	856390	1	• Oil pump	
	835372	1	• Oil strainer	
	835373	1	• Shaft	
	835374	1	• Sleeve	
	(856076)	1	• Inlet manifold	
	855824	8	• Screw	
	855597	4	• Screw	
	841261	1	• Sealant	
	856365	1	• Gasket kit	
	856364	1	• Water pump	



REF	DESCRIPTION	SEE SEC.
210	Engine Repair Parts	210

CLICK HERE TO **DOWNLOAD** THE COMPLETE MANUAL

- Thank you very much for reading the preview of the manual.
- You can download the complete manual from: [www.heydownloads.com](http://www.heydownloads.com) by clicking the link below



- Please note: If there is no response to CLICKING the link, please download this PDF first and then click on it.

CLICK HERE TO **DOWNLOAD** THE COMPLETE MANUAL