

CLICK HERE TO **DOWNLOAD** THE COMPLETE MANUAL

- Thank you very much for reading the preview of the manual.
- You can download the complete manual from: [www.heydownloads.com](http://www.heydownloads.com) by clicking the link below



- Please note: If there is no response to CLICKING the link, please download this PDF first and then click on it.

CLICK HERE TO **DOWNLOAD** THE COMPLETE MANUAL

## MD3B

REF	PART NO.	QTY	DESCRIPTION	SEE SEC.	NOTES
1	(833159)	1	Camshaft		
2	(910121)	2	Woodruff key		
3	(807498)	1	Washer		
4	(942411)	2	Tab washer		
5	955294	2	Hexagon screw		
6	(833018)	1	Gear		
7	(833484)	1	Cam disc		
8	(833275)	1	Nut		
9	806256	1	Companion flange		
10	807393	6	Tappet		
11	403130	6	Push rod		
12	(403561)	3	Rocker arm, intake		
	(803247)	3	Rocker arm, exhaust		
13	(955800)	6	• Hexagon nut		
14	403155	6	• Ball stud		
15	(18146)	6	• Bushing		
16	(833222)	3	Rocker arm shaft		
17	(191173)	12	Shim		TH=0.2mm
18	(914452)	6	Snap ring		
19	(833223)	3	Bearing box		
20	955300	3	Hexagon screw		
21	(833569)	3	Screw	54146859	
22	(833188)	3	Inlet valve		
	(829620)	3	Exhaust valve		
23	419653	3	Valve guide, intake	54146859	
	829867	3	Guide sleeve, exhaust	54146859	
24	833347	3	Gasket, intake		Replaced by 1306630., MO-20766
25	(829622)	6	Valve spring		
26	403314	6	Valve spring washer		
27	(403315)	12	Lock		
28	896580	6	Valve cap		
29	925053	3	O-ring		
30	(955800)	3	Hexagon nut		
31	403155	3	Ball stud		
32		3	shaft		Replaced by 3ea 833499 + 3ea 945292 + 3ea 940344., MO-633
	(833499)	3	Shaft		MO 634-
33	(803604)	3	Spring		
34	(919118)	3	Set screw		
35	955781	3	Hexagon nut		
36	(897390)	3	Stud		MO-633
	945292	3	Stud		MO 634-
37	(807042)	3	Ball		MO-633
	(940344)	3	Wing nut		MO 634-
38	(833062)	1	Timing gear casing		
39	(833041)	1	• Bushing		
40	(833044)	1	Gasket		
41	950586	2	Pin	54146879	
42		1	cover		Replaced by 1ea 833767 + 1ea 957175 + 1ea 16322., MO-3846
	(833767)	1	Hatch		MO 3847-
43	957175	1	Gasket		MO 3847-
44	(16322)	1	Plug		MO 3847-
45	833174	1	Gasket		
46	192356	1	Hexagon screw		L=20mm
	955273	3	Hexagon screw		L=0.875" (22mm)
47	940101	1	Hexagon screw		L=40mm
48	941906	5	Spring washer		
49	(912118)	1	Spacer sleeve		
50	61822	1	Rubber plug		
51	(833521)	1	Plug		Alt
52	957181	1	Gasket		Alt
53			rev. counter sender		See group 3
54	959247	6	Hex. socket screw		L=70mm
55	959245	1	Hex. socket screw		L=60mm

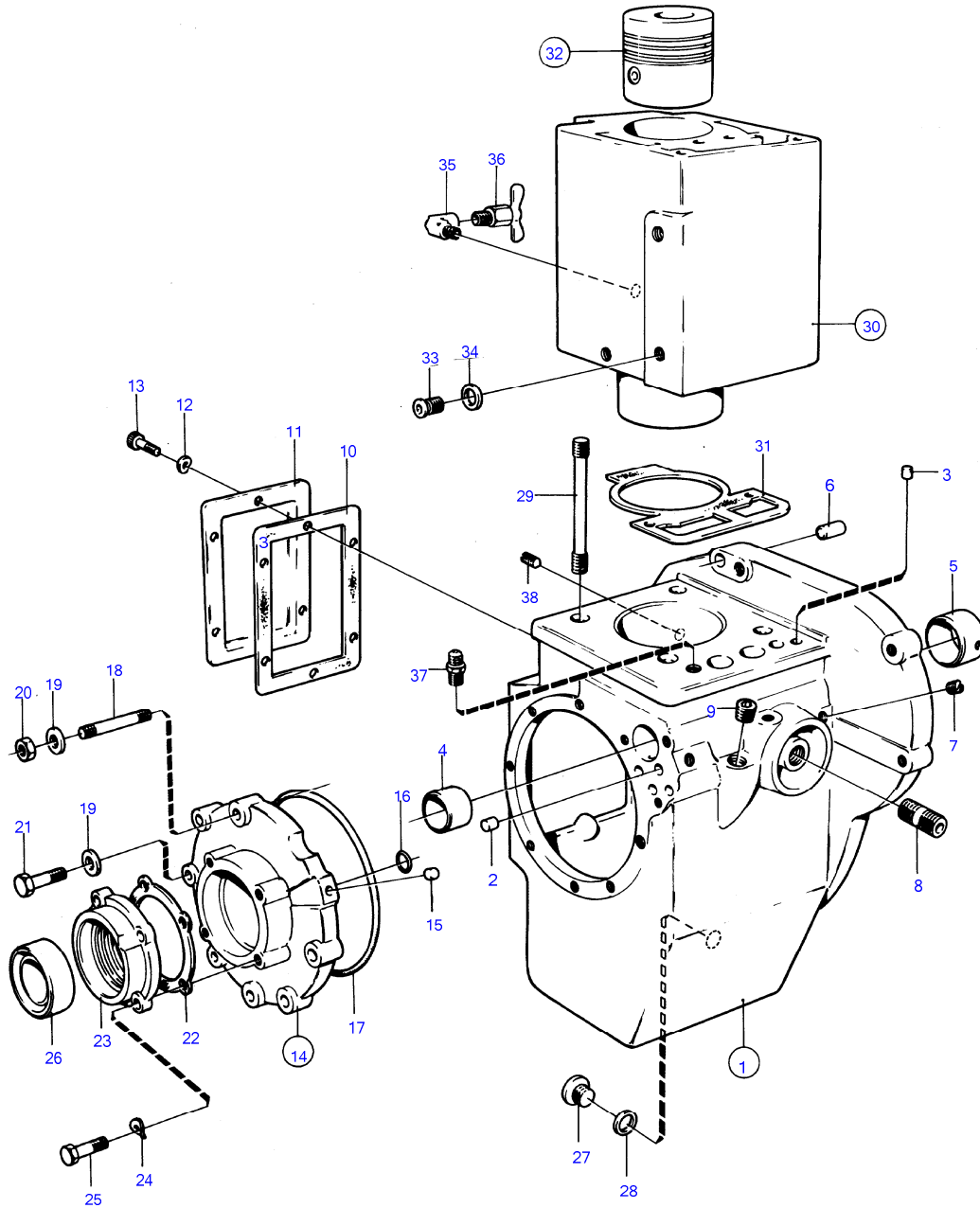
7742090-21-54146854

49966

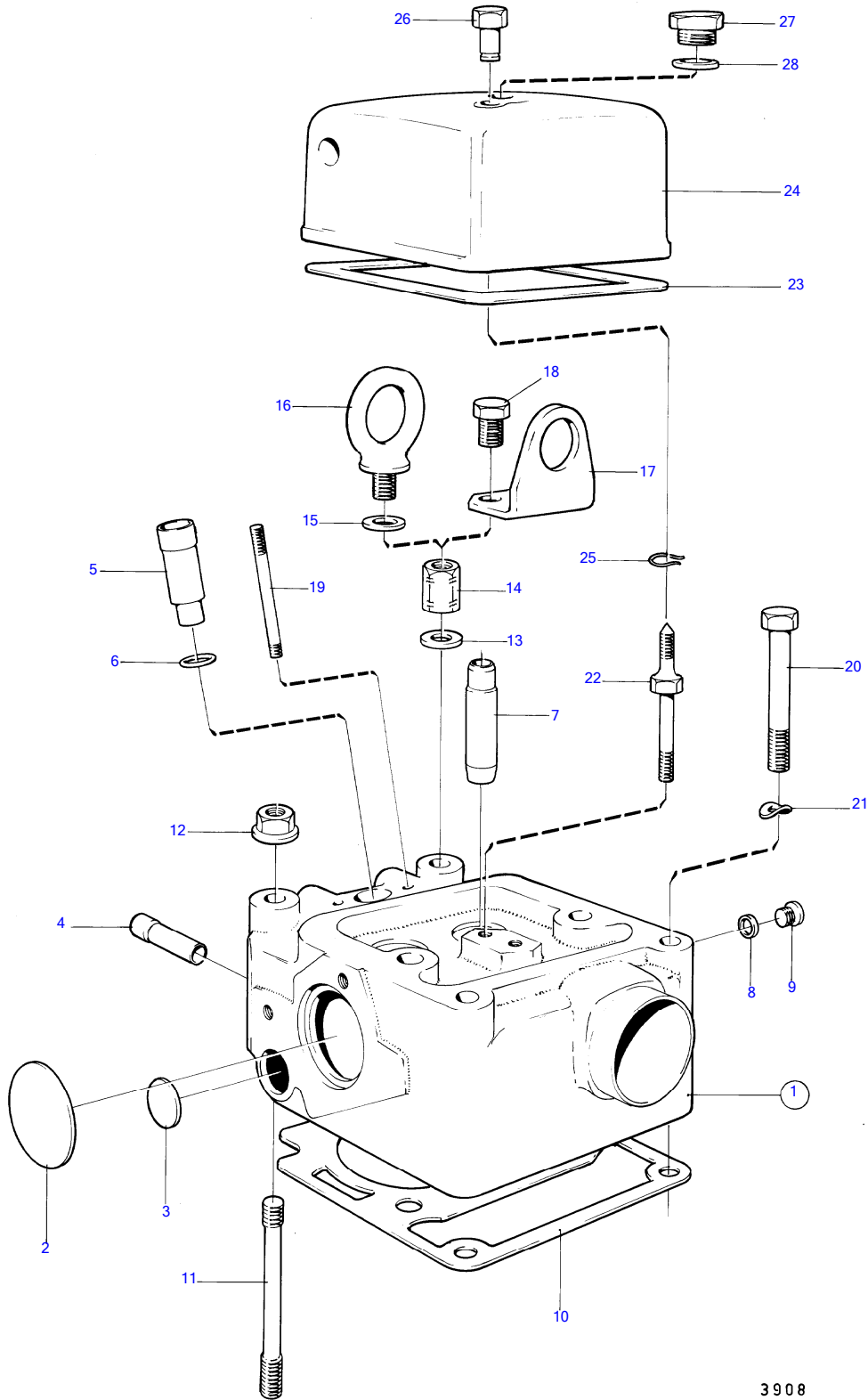
Upd:7/18/2022

AQD2B, MD1B, MD2B, MD3B

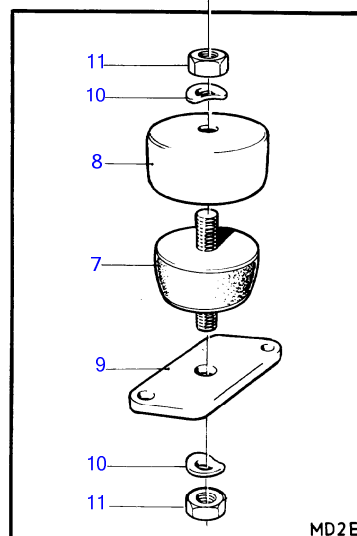
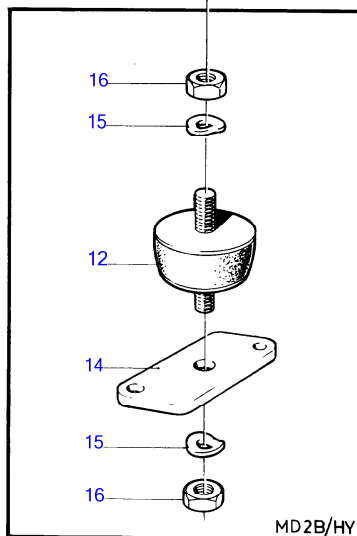
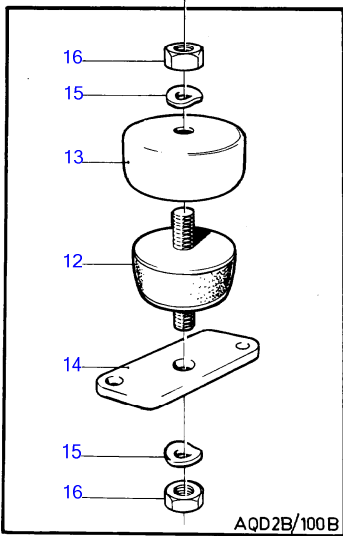
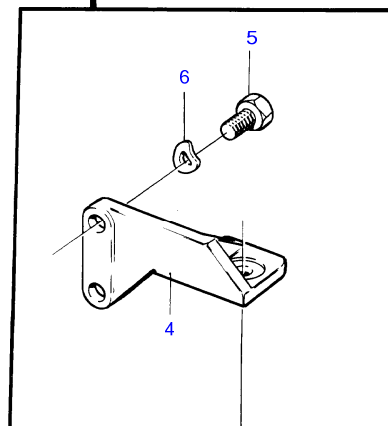
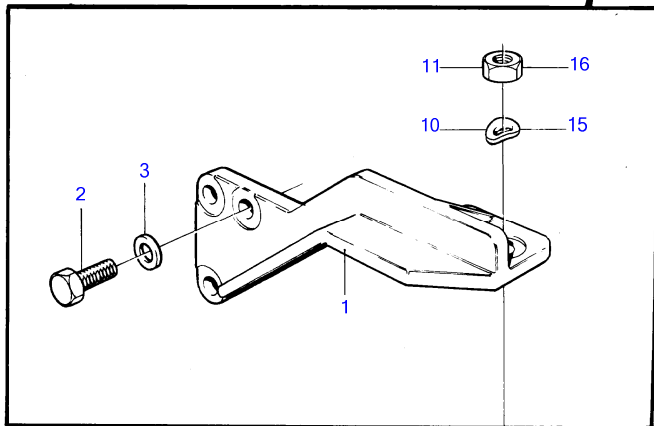
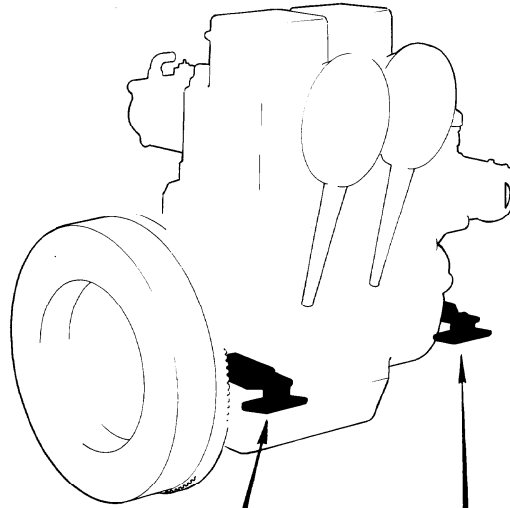
**VOLVO**  
**PENTA**

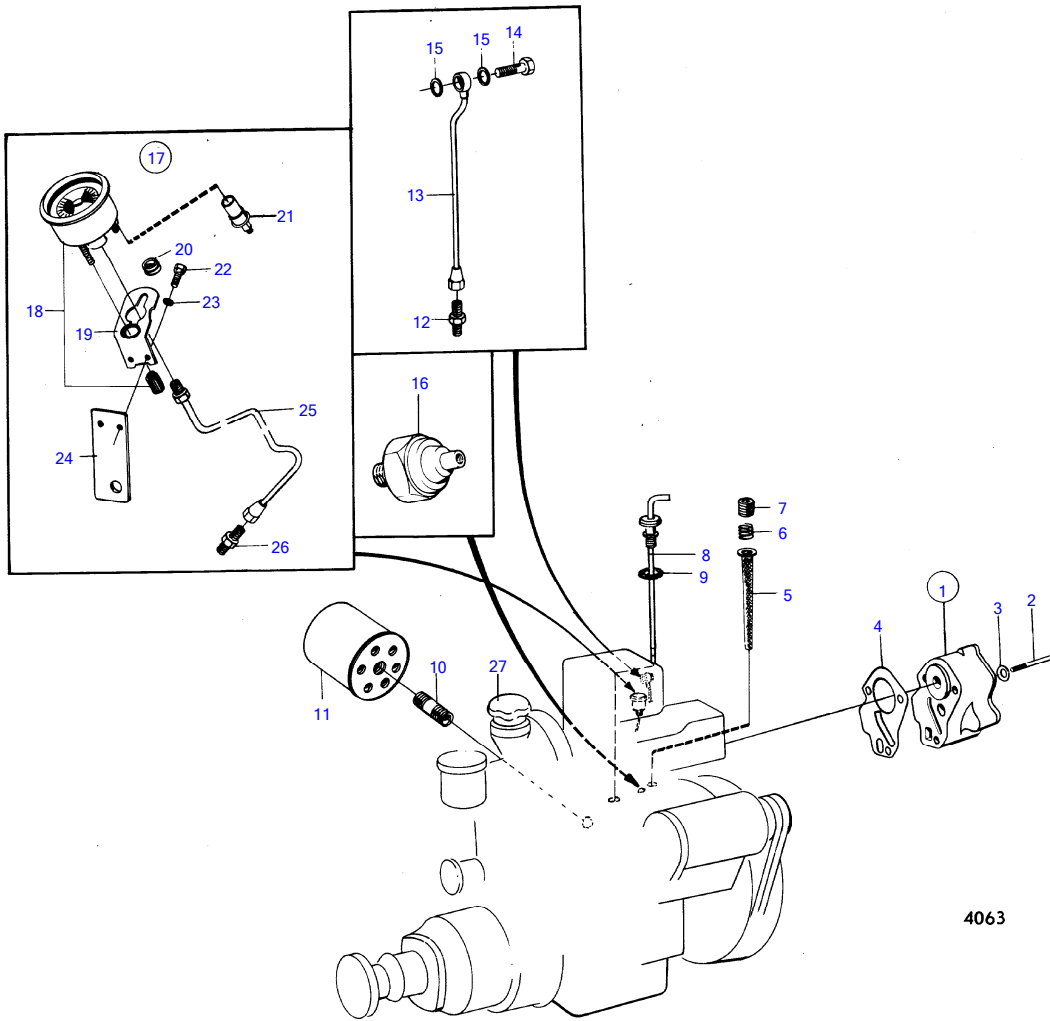


5559



3908





4063

## MD3B

REF	PART NO.	QTY	DESCRIPTION	NOTES
1	(807283)	1	Hand start	Spec 867146, 867147, MO-1755 except 1668-1670.
2		1	• housing	
3	803330	1	• Camshaft bushing	
4	807276	1	• Gasket	
5	955271	5	• Hexagon screw	
6	955270	1	• Hexagon screw	
7	941906	1	• Spring washer	
8	11991	5	• Gasket	
9	(897254)	1	• Cover	
10	897255	1	• Gasket	
11	940102	3	• Hexagon screw	
12	(18806)	3	• Gasket	
13	(807280)	1	• Gear	
14	(807281)	1	• Shaft	
15	(910117)	1	• Woodruff key	
16	(181113)	2	• Ball bearing	
17	(914454)	1	• Snap ring	
18	(914524)	1	• Snap ring	
19	833760	1	• Sealing ring	Replaced by 3886602
	3886602	1	• Sealing ring	
20	(952007)	1	• Spring pin	
21	(807277)	1	• Bearing housing	
22	(807360)	1	• Flange	
23	(18559)	1	• Ball bearing	
24	(181180)	1	• Ball bearing	
25	914459	1	• Snap ring	
26	807278	2	• Gasket	
27	955271	4	• Hexagon screw	
28	941906	4	• Spring washer	
29	(807279)	1	• Shaft	
30	(840370)	1	• Gear	(803344)
31	941906	3	• Spring washer	
32	942001	3	• Hex. socket screw	
33	803361	X	Gasket	Spec 867146, 867147, MO-1755 except 1668-1670.
34	(952989)	2	Stud	Spec 867146, 867147, MO-1755 except 1668-1670., L=80mm
35	955782	2	Hexagon nut	Spec 867146, 867147, MO-1755 except 1668-1670.
36	955295	1	Hexagon screw	Spec 867146, 867147, MO-1755 except 1668-1670., L=20mm
37	941907	3	Spring washer	Spec 867146, 867147, MO-1755 except 1668-1670.
38	940096	1	Gasket	Spec 867146, 867147, MO-1755 except 1668-1670.
39	(403515)	1	Breather cap	Early type
40	(418954)	1	Vent cover	Spec 867146, 867147, MO-1755 except 1668-1670., Late type
41	(833747)	1	Rubber hose	Spec 867146, 867147, MO-1755 except 1668-1670.
	(833671)	1	Rubber hose	Spec 867146, 867147 without manual starter.
42	940374	1	Clamp	Spec 867146, 867147, MO-1755 except 1668-1670.
43	823492	1	Spacer sleeve	Spec 867146, 867147, MO-1755 except 1668-1670.
44	(803920)	1	Starter crank	Spec 867146, 867147, MO-1755 except 1668-1670.
45	(833601)	1	Ventilation housing	Spec 867146, 867147 without manual starter.
46	924060	2	Stud	Spec 867146, 867147 without manual starter.

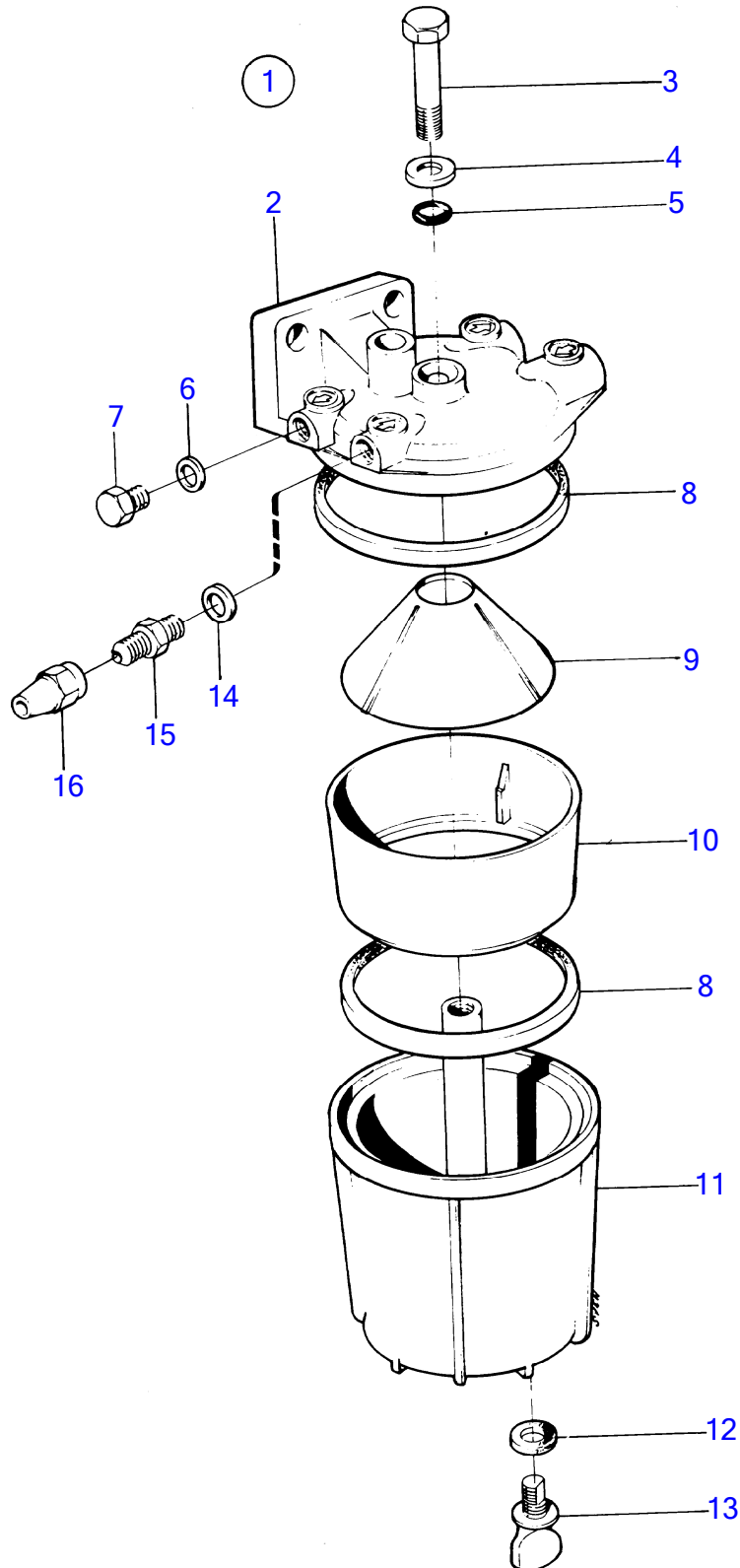
REF	PART NO.	QTY	DESCRIPTION	NOTES
1	(803323)	1	Fuel filter	
2	(870001)	1	• Housing	
3	870065	1	• Filter	
4	(238091)	1	• Cover	
5	76656	1	• Gasket	
6	955305	1	• Hexagon screw	
7	947620	1	• Gasket	(233321)
8	240170	1	• Screw	
9	18838	1	• Gasket	
10	240664	1	• Bleeder screw	(233017)
11	25534	1	• Gasket	

REF	PART NO.	QTY	DESCRIPTION	NOTES
1	(833741)	1	Injection pump	
2		1	• housing	
3	(870796)	2	• Tappet	
4	(870004)	2	• • Bearing bolt	
5	(870789)	2	• • Bushing	
6	(243206)	2	• • Roller	Std D=15,00mm
	(243193)	2	• Roller	Alt, D=14,04mm
	(243194)	2	• Roller	Alt, D=14,16mm
	(243195)	2	• Roller	Alt, D=14,28mm
	(243196)	2	• Roller	Alt, D=14,40mm
	(243197)	2	• Roller	Alt, D=14,52mm
	(243198)	2	• Roller	Alt, D=14,64mm
	(243199)	2	• Roller	Alt, D=14,76mm
	(243200)	2	• Roller	Alt, D=14,88mm
	(243201)	2	• Roller	Alt, D=15,12mm
	(243202)	2	• Roller	Alt, D=15,24mm
	(243203)	2	• Roller	Alt, D=15,36mm
7	(870007)	2	• Lock bolt	
8	(243406)	1	• Locking wire	
9	870788	2	• Washer	
10	(870022)	2	• Piston spring	
11	870023	2	• Spring disc	
12	243416	2	• Pump element	
13	(243417)	2	• Sleeve	D=18,70mm
	(243418)	2	• Sleeve	Alt, D=18,85mm
14	833743	2	• Delivery valve	
15	870581	2	• Gasket	
16	238309	2	• Compression spring	
17	243420	2	• Retainer	
18	239989	2	• O-ring	
19	(243407)	1	• Control rod	
20	(243422)	2	• Pin	
21	240664	1	• Bleeder screw	
22	25534	1	• Gasket	
23	870576	2	• Filling-in plug	
24	(238312)	X	• Shim	TH=0.3mm
	(241734)	X	• Adjusting washer	TH=0.5mm
	(238314)	X	• Adjusting washer	TH=1.0mm
25	(243408)	1	• Screw	
26	(243409)	1	• Gasket	
27	(243410)	1	• Washer	
28	(243423)	1	• Pin	

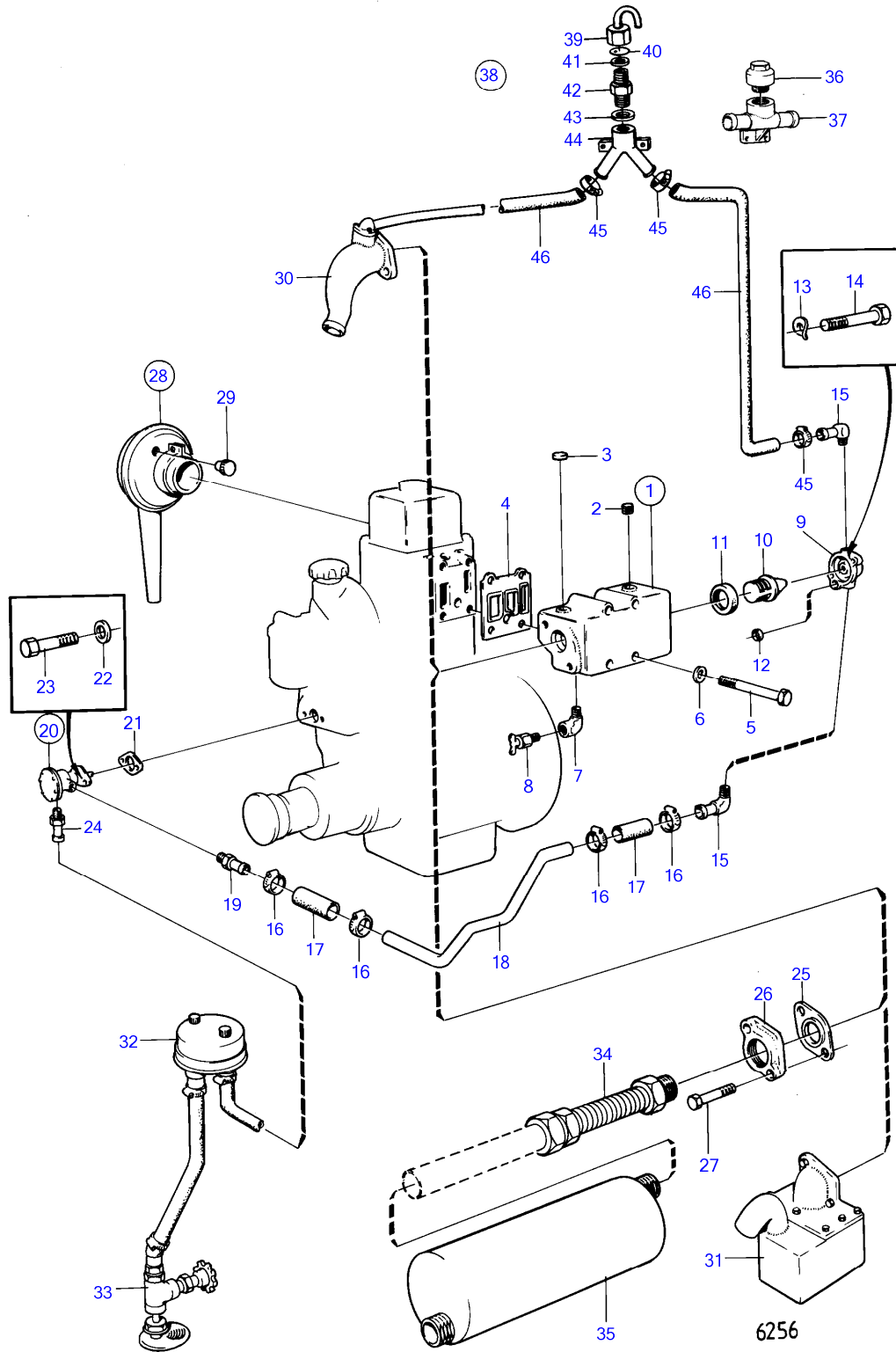
REF	PART NO.	QTY	DESCRIPTION
1	833323	1	Fuel pump
2	(834255)	1	• Repair kit
3	418948	1	• • Gasket
4		1	• • diaphragm
5		1	• • strainer
6		1	• • screw
7	15521	1	• • Gasket
8		3	• • screw
			• other components

MD2B

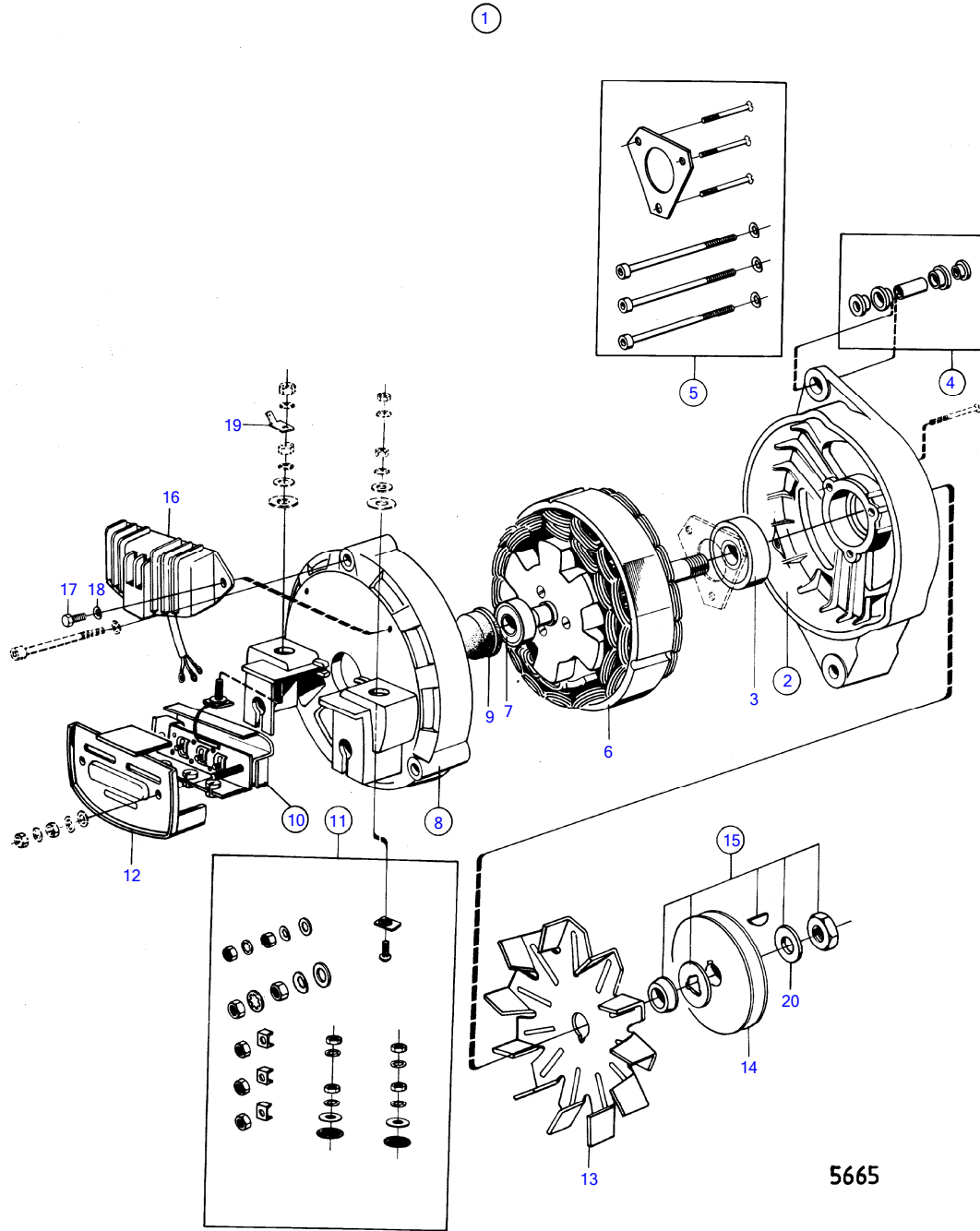
REF	PART NO.	QTY	DESCRIPTION	SEE SEC.	NOTES
1				54146908	
				54146908	
				54146908	
				54146908	
		1		54146908	Replaced by 833741., MO-17506
	(833741)	1	Injection pump	54146908	MO 17507-54378
				54146908	
	(840392)	1	Injection pump	54146908	MO 54379-
				54146908	
2	897392	X	Gasket		
3	955296	3	Hexagon screw		
4	(103155)	1	Screw		
5	(833191)	2	Injector	54146911	
				54146911	
6	(803334)	2	Attaching plate		
7	(952991)	4	Stud		
8					
10	(833199)	1	Delivery pipe		
11	(833198)	1	Delivery pipe		
12	414346	2	Attaching clamp		
13	414347	2	Attaching clamp		
14	414344	2	Attaching clamp		
15	414345	2	Attaching clamp		
16	955247	4	Hexagon screw		
17	414735	1	Nut plate		
18	414736	1	Nut plate		
19	(803657)	2	Spacer sleeve		
20	955324	2	Hexagon screw		
21	942336	2	Spring washer		
22	(803323)	1	Fuel filter	54146914	Replaced by 840532.
	(840532)	1	Fuel filter	54146914	
				54146914	
23	833346	1	Fuel hose		
	(833365)		Fuel hose		
24	(803658)	1	Hollow screw		
25	240664	1	Bleeder screw		(233017)
26	11991	1	Gasket		
27	807058	1	Hollow screw		
28	807059	1	Nozzle		
29	16496	1	Hollow screw		
30	957178	4	Gasket		
31	11994	2	Gasket		
32	(897411)	1	Leak-off pipe		
33	74033	3	Hollow screw		
34	957171	6	Gasket		
35	833323	1	Fuel pump	54146912	
				54146912	
36	942353	1	O-ring		
37	942001	2	Hex. socket screw		
38	941906	2	Spring washer		
39	(897412)	1	Tube		
40	25167	2	Hollow screw		
41	957178	4	Gasket		
42	840263	1	Fuel hose		(807074) repl by 840263
43	(829744)	1	Hose connection		
44	807061	1	• Cap nut		
45	833922	1	Joint nipple		
46	11992	4	Gasket		
47	(829731)	1	Elbow nipple		For spec 867208, -351, -374, -380, MO 45483-
48	957178	1	Gasket		For spec 867208, -351, -374, -380, MO 45483-
49	466398	1	Pressure equalizer		For spec 867208, -351, -374, -380, MO 45483-



4183

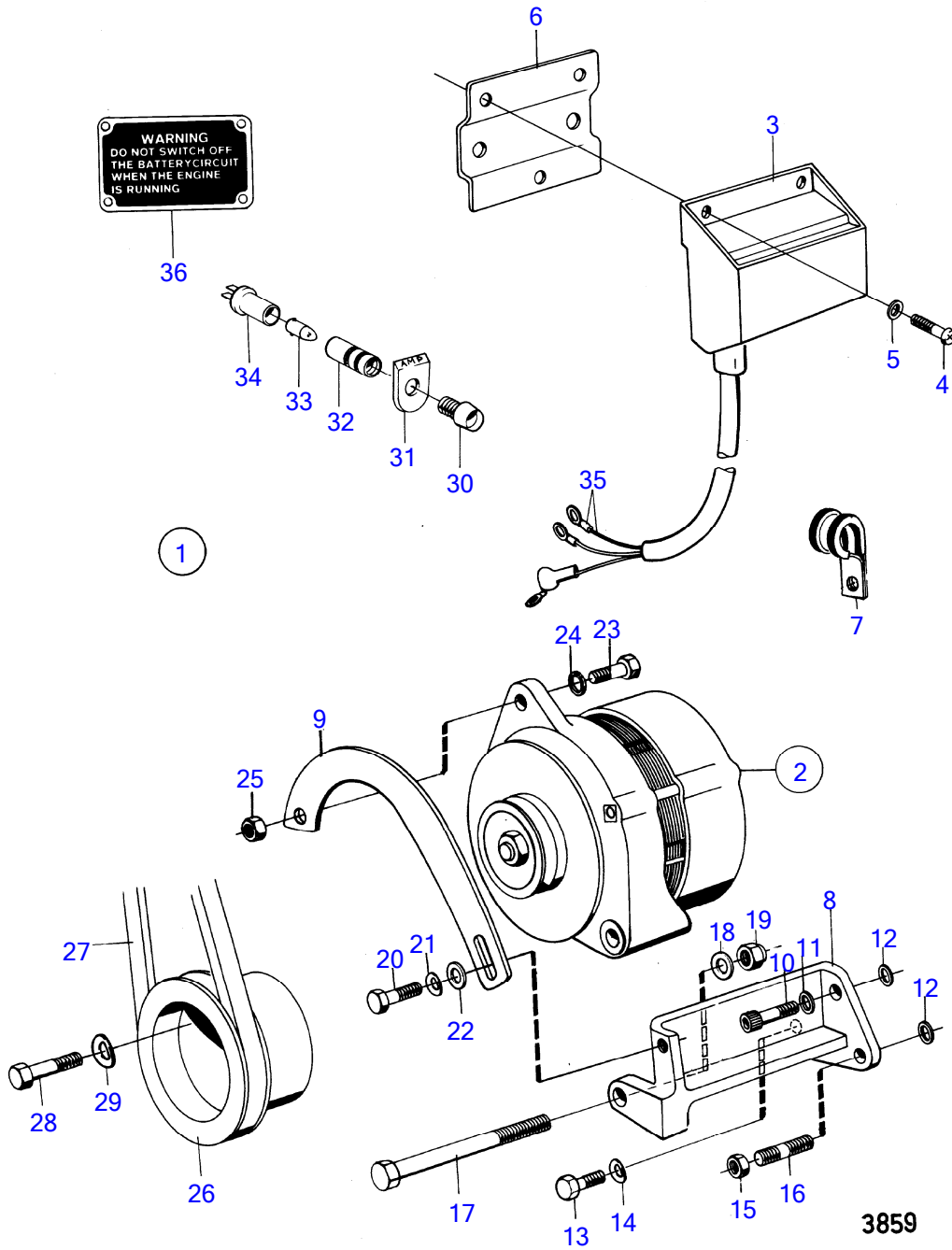






5665

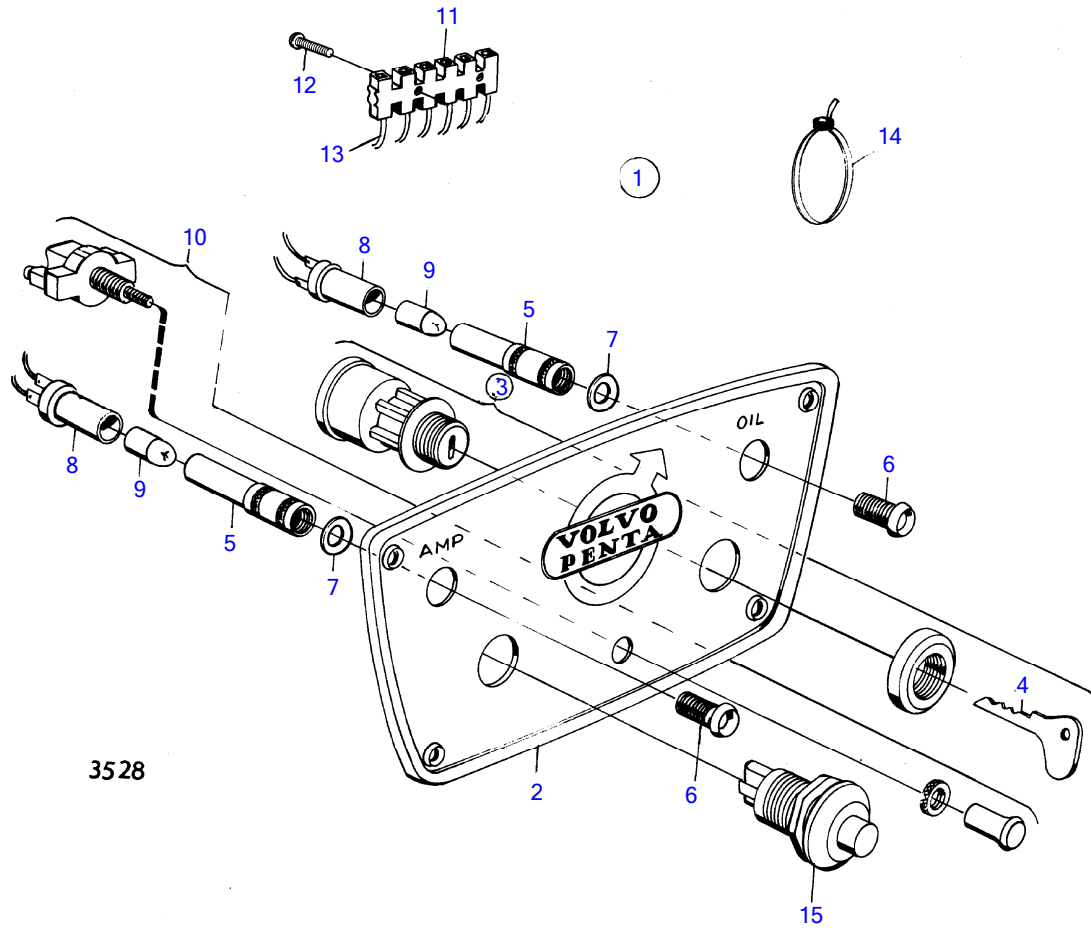
AQD2B



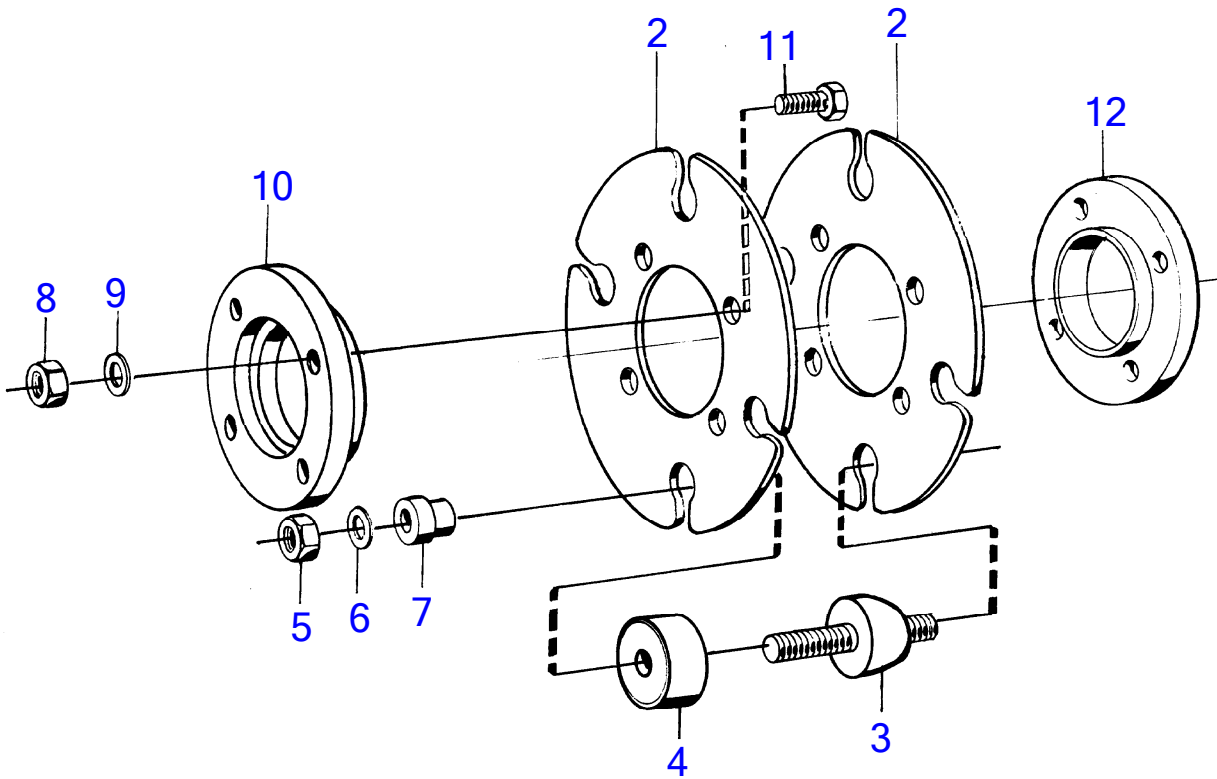
AQD2B

REF	PART NO.	QTY	DESCRIPTION	SEE SEC.	NOTES
1		1		54146941	
			.	54146941	
2	(833028)	1	Pulley		
3	958367	1	V-belt		
4	(833063)	1	Bracket		
5	955298	3	Hexagon screw		
6	955321	2	Hexagon screw		
7	940097	2	Washer		
8	963107	2	Lock nut		
9	(942623)	1	Tensioner		
10	946036	1	Lock nut		
11	955894	1	Washer		
12	191172	1	Washer		
13	940142	1	Hexagon screw		
14	944722	1	Stud		See group 2A
15	946075	1	Washer		
16	963107	1	Lock nut		See group 2A





1



3946

CLICK HERE TO **DOWNLOAD** THE COMPLETE MANUAL

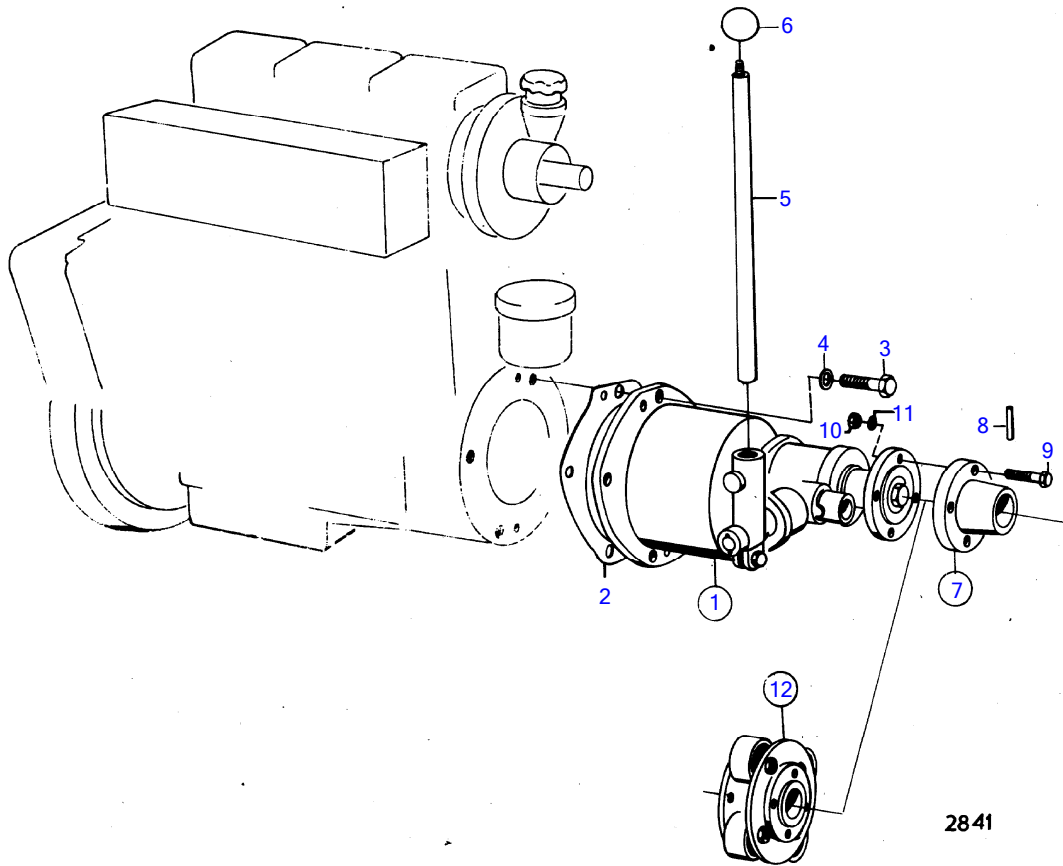
- Thank you very much for reading the preview of the manual.
- You can download the complete manual from: [www.heydownloads.com](http://www.heydownloads.com) by clicking the link below



- Please note: If there is no response to CLICKING the link, please download this PDF first and then click on it.

CLICK HERE TO **DOWNLOAD** THE COMPLETE MANUAL

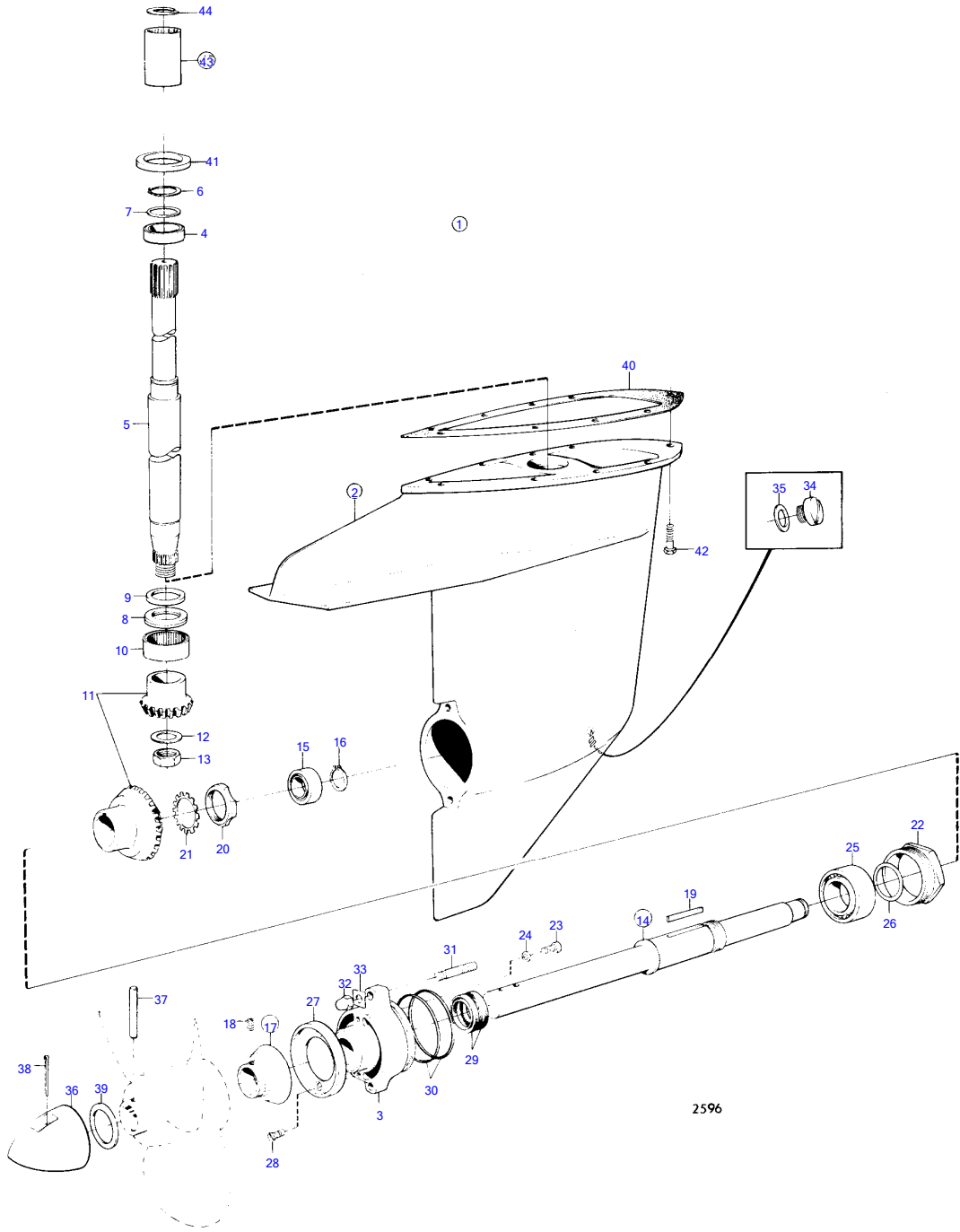
MD1B, MD2B, MD3B



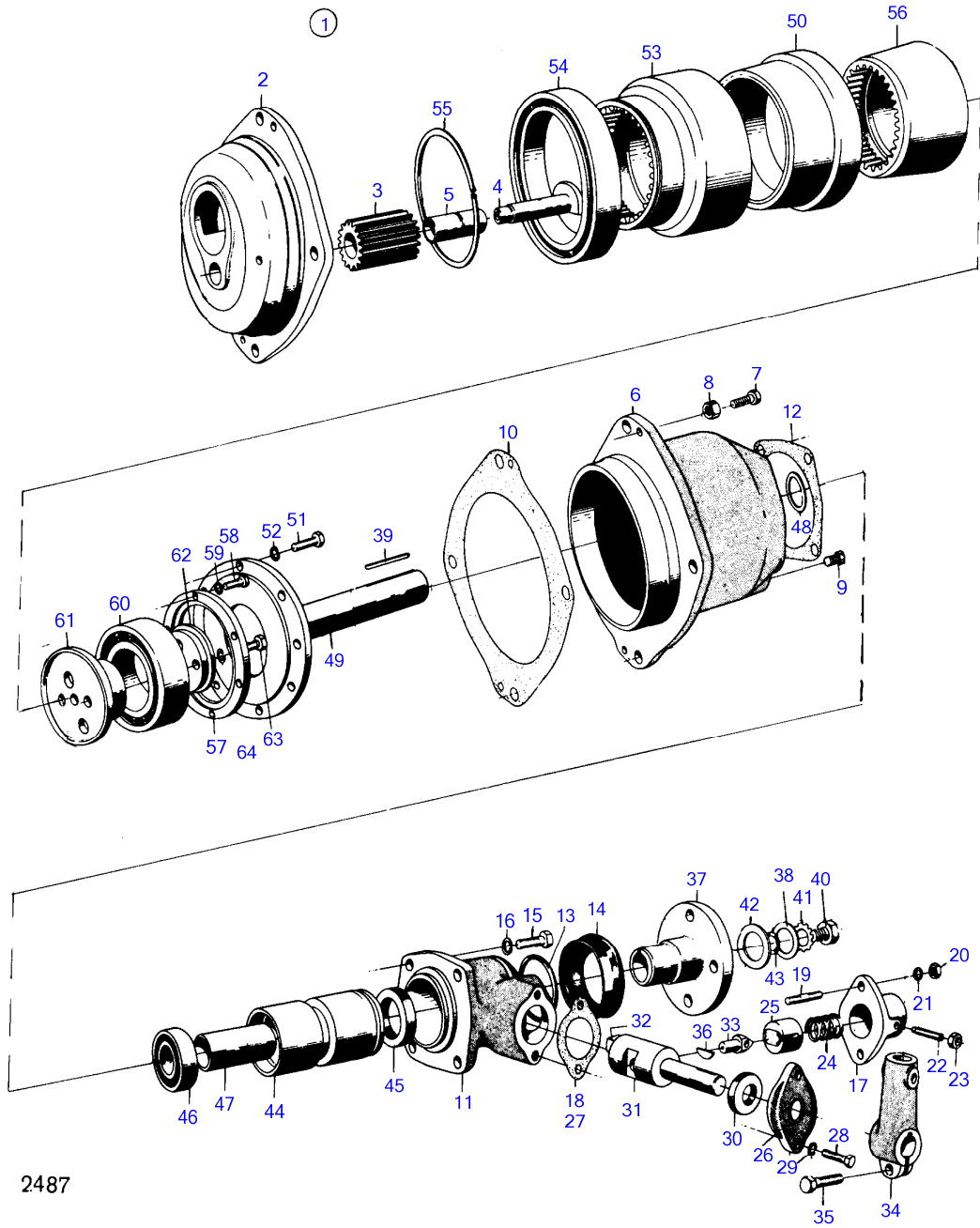
MD1B

REF	PART NO.	QTY	DESCRIPTION	SEE SEC.	NOTES
1	(807370)	1	Reversing gear • components		Spec 867001,-002,-140,-141. See group 4B
2	833558	1	Reversing gear • components		Spec 867091, 867142., Replaced by 833860., Ratio 1,91:1 See group 4B
	(833860)	1	Reversing gear • components		Spec 867229., Ratio 1,91:1 See group 4B
3	803227	1	Gasket		
4	(802588)	1	Gear		Spec 867001,-002,-140,-141., See group 2A
5	(803225)	1	Washer		See group 2A
6	(803226)	1	Lock washer		See group 2A
7	(807041)	1	Lock screw		Spec 867001,-002,-140,-141.
8	(910122)	1	Woodruff key		Early type, 6X25mm
	(910121)	1	Woodruff key		Late type, 6X22mm
9	955319	4	Hexagon screw		
10	941908	4	Spring washer		
11	(802743)	1	Control lever		
12	(60544)	1	Gear shift lever kno		
13	806384	1	Clutch flange •	54146949 54146949	25mm hole for propeller shaft., Alt
14	827924	1	Clamp coupling •	54146955 54146955	25mm hole for propeller shaft., Alt
	827927	1	Clamp coupling •	54146955 54146955	30mm hole for propeller shaft., Alt
	(827958)	1	Clamp coupling flang •	54146955 54146955	1" hole for propeller shaft.
15	(834336)	1	Companion flange		Spec 867091, 867142., Spec 867229.
16	(803225)	1	Washer		See group 2A
17	(803226)	1	Lock washer		See group 2A
18	(959664)	1	Hexagon screw		Spec 867091, 867142., Spec 867229.
19	827615	1	Rubber coupling		Spec 867091, 867142., Spec 867229.
20	959239	4	Hex. socket screw		
21	942336	4	Spring washer		
22	955270	2	Hexagon screw		
23	955948	2	Toothed washer		
24	834021	1	Intermediate lever		
25	955892	1	Washer		
26	833462	1	Cube		
27	907834	1	Split pin		
28	(833491)	1	Bracket		See group 2D
29	940142	2	Hexagon screw		
30	(955949)	2	Toothed washer		
31	961169	2	Washer		
32	956078	4	Cross recessed screw		
33	21471054	2	Bracket		
34	963104	4	Lock nut		
35		X	control cable		See group 9
36	961607	1	Hose nipple		
37	804429	1	Hose attachment		
38	952969	X	Hose		Replaced by 1ea 833865., L=2X60mm
39		1	cooling water pipe		Replaced by 1ea 833865.
	(833865)	1	Coolant pipe		Late type
40	943472	4	Hose clamp		Early type
41	955781	2	Hexagon nut		

REF	PART NO.	QTY	DESCRIPTION	NOTES
1	827924	1	Clamp coupling	
2	949068	6	▪ Hex. socket screw	
3	955319	4	▪ Hexagon screw	For reverse gear 807370., L=35mm
4	959239	4	▪ Hex. socket screw	L=30mm
5	955783	4	▪ Hexagon nut	
6	941908	4	▪ Spring washer	



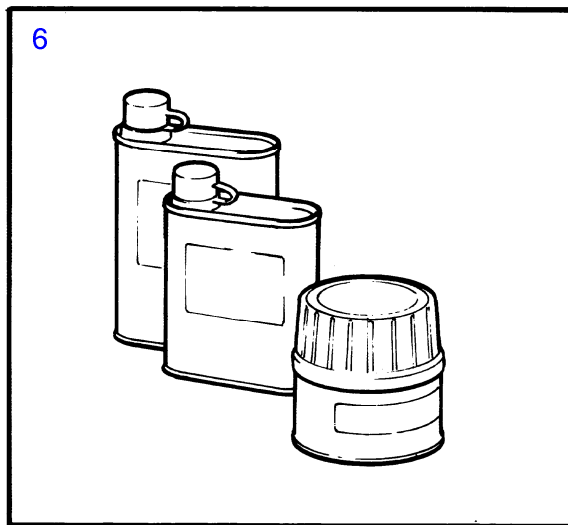
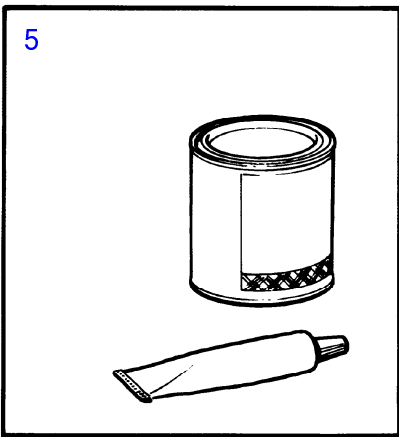
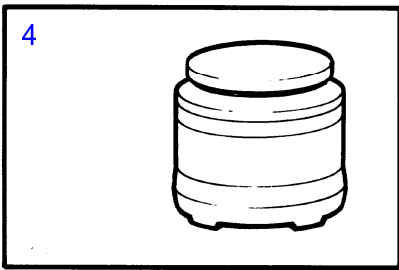
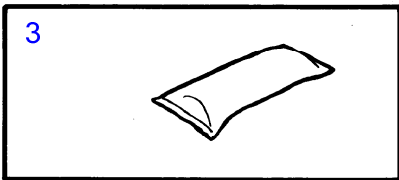
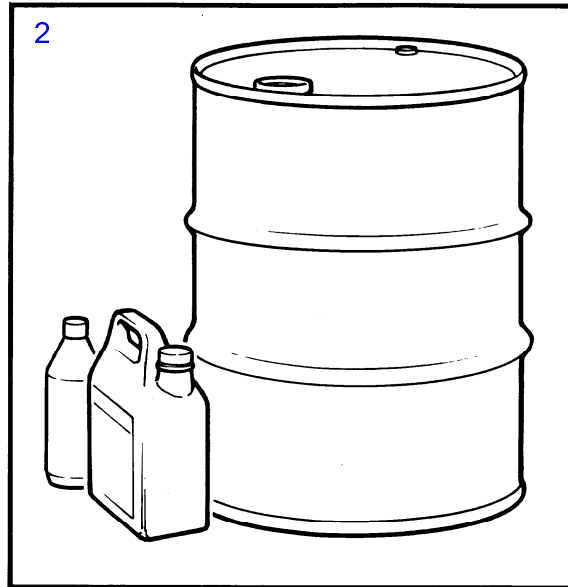
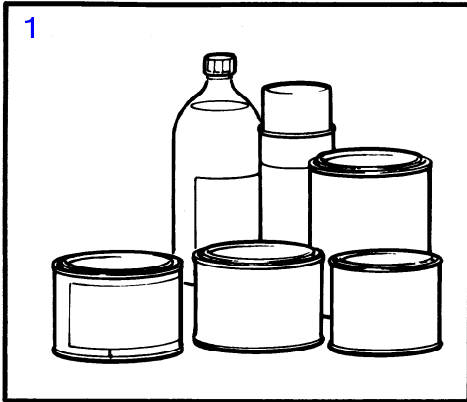
2596



2487

REF	PART NO.	QTY	DESCRIPTION	NOTES
1	(839544)	1	Steering lock	
2		1	• housing	
3	(839531)	1	• Nut	
4	914450	1	• Snap ring	
5	(832476)	1	• Lock nut	
6	(839523)	1	• Lock ring	
7	(839512)	1	• Lock sleeve	
8	(839532)	1	• Lock cylinder	
9	(831606)	1	• • Key	Indiquer code de clef quand vous ordez
10	(839543)	1	• Gasket	
11	(839542)	1	• Protecting cover	
12	956060	2	• Cross recessed screw	
13		1	• decal	
14	(914448)	1	• Snap ring	
15	(850221)	2	• Washer	
16	(839492)	1	Switch	

AQD2B, MD1B, MD2B, MD3B



6092

## MD2B, MD3B

REF	PART NO.	QTY	DESCRIPTION	SEE SEC.	NOTES
1	(833120)	1	Double lever		
2	(833714)	1	Control		D4, late type
3	(833361)	1	Bracket		MD3B.
4	955317	2	Hexagon screw		MD3B.
5	941908	2	Spring washer		MD3B.
6	(833235)	1	Bracket		MD2B.
7	833243	3	Spacer sleeve		MD2B., L=31mm
	833244	3	Spacer sleeve		MD2B., Alt L=40mm
8	955305	3	Hexagon screw		MD2B.
9	(807253)	1	Control lever		For control 833120 type sr.
	(833700)	1	Intermediate lever		For control 833714 type D4.
10	955297	1	Hexagon screw		
11	941907	1	Spring washer		
12	(942362)	1	Fork		For control 833120 type sr.
			fork		For control 833714 type D4., Included in control cable.
13	913125	1	Clevis pin		
14	955894	1	Washer		
15	907824	1	Split pin		
16		X	control cable	54146995	
17		X	control cable	54146995	
18	955844	1	Hexagon nut		
19	3841580	1	Cube		
20	955893	1	Washer		
21	907824	1	Split pin		
22	(833248)	1	Bracket		
23	21471054	1	Bracket		
24	956074	2	Cross recessed screw		
25	955294	1	Hexagon screw		
26	(955949)	1	Toothed washer		
27	(807079)	1	Elbow nipple		

REF	PART NO.	QTY	DESCRIPTION	NOTES
1	839469	1	Control mechanism • components	Top-mounted replaced by 851600., Side-mounted replaced by 851601., Early type
2		1	• housing	
3		1	• shaft	
4	(839635)	1	• Washer	
5	(839637)	1	• Screw	
6	(839668)	1	• Link arm	
7	839700	1	• Retainer	
8	(839667)	1	• Washer	
9	839664	1	• Screw	
10		1	•	
11	(839636)	1	• Eccentric	
12	839699	1	• Roller	
13	(839633)	1	• Engagement lever	
14	(839639)	1	• Breaker arm	
15	(839635)	1	• Washer	
16	(839637)	1	• Screw	
17	839638	2	• Cube	
18	17253	2	• Split pin	
19	839632	1	• Button	
20	839640	1	• Vibration damper	
21	(839666)	1	• Washer	
22	963104	1	• Lock nut	
23	(839701)	1	• Bushing	

REF	PART NO.	QTY	DESCRIPTION	NOTES
1	851604	1	Mounting kit	Late type
2	839518	1	• Cover	
3	839520	1	• Hand lever	
4	839693	1	• Lock screw	M8
5	955142	4	• Cross recessed screw	
6	851601	1	Control	Late type
			• components	
7	839641	1	Neutral position con	
8	(839619)	1	• Cable kit	
9	850200	1	• • Toggle switch	
10		X	• • cable and terminals	See group 3
11	1501832	1	• Relay	
12	946177	2	• Cross recessed screw	
13	947536	2	• Hexagon nut	
14		1	• Coupling piece	

REF	PART NO.	QTY	DESCRIPTION	NOTES
2		1	extension set	L=6", 100B
5		1	• spacer	
7	804266	2	• Gasket	
11	(809961)	1	• Splined sleeve	
13	(809977)	1	• Oil dipstick	
14	(809964)	1	• Suction hose	Excl 100B
16	943472	1	• Hose clamp	Excl 100B
18	(940171)	9	• Hexagon screw	
19	914507	1	• Snap ring	
21	(809962)	1	• Pin	

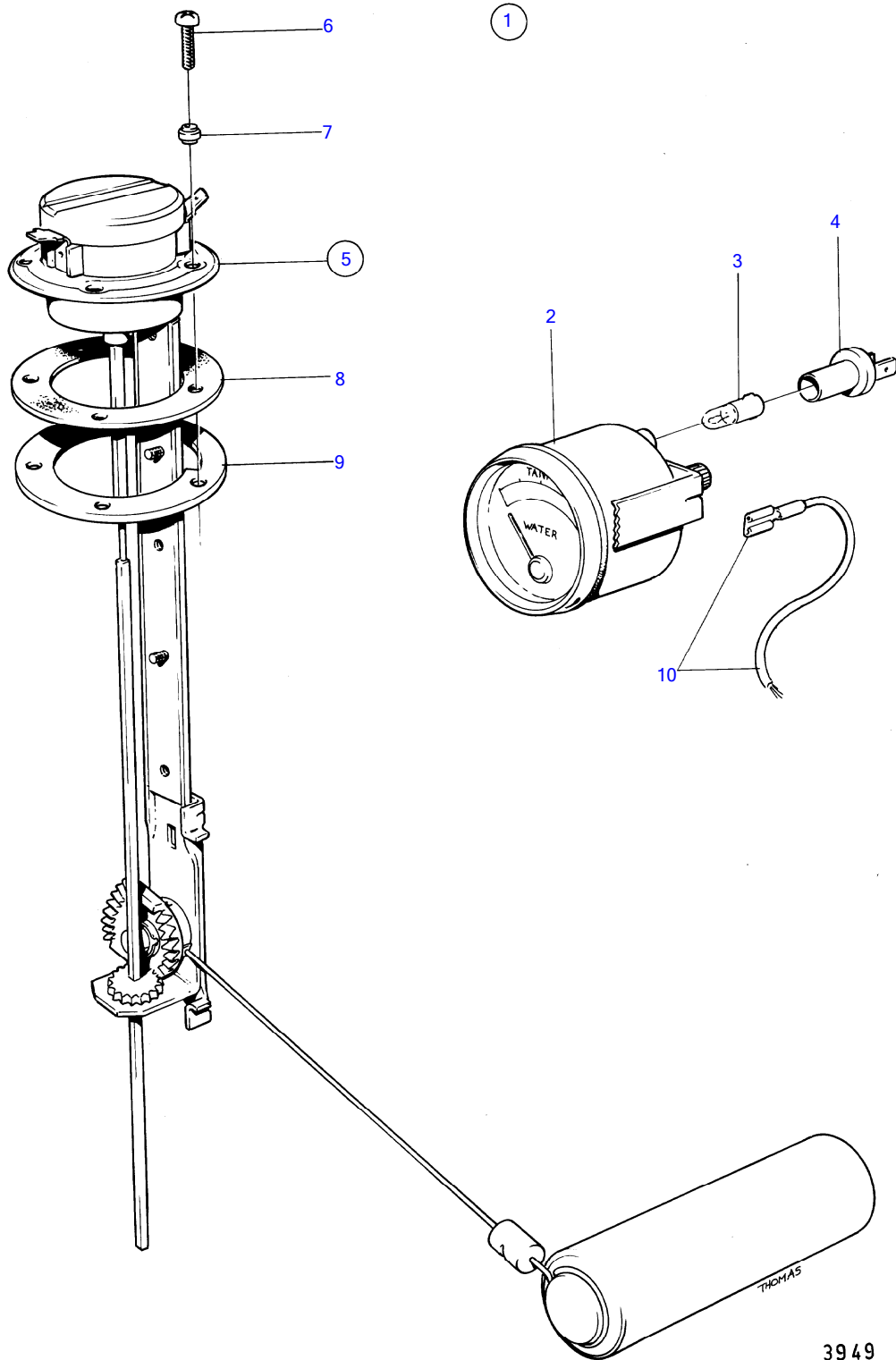
REF	PART NO.	QTY	DESCRIPTION	NOTES
1	852099	1	Propeller	17X13
2		1	• propeller hub	
3	(852171)	1	• Propeller blade	
4		1	• bushing	
5	839511	2	• Shaft	
6	852153	4	• Bushing	With flange.
7	946847	2	• Set screw	
8	852018	1	• Zinc anode kit	
9		1	• • zinc electrode	
10	963677	2	• • Hex. socket screw	
11	850855	1	• Absorber	
12		1	• mounting kit	
13	852044	1	• • Castle nut	
14	949807	1	• • Split pin	
15	(914672)	1	• • Allen wrench	
16	828250	1	• • Lubricating grease	

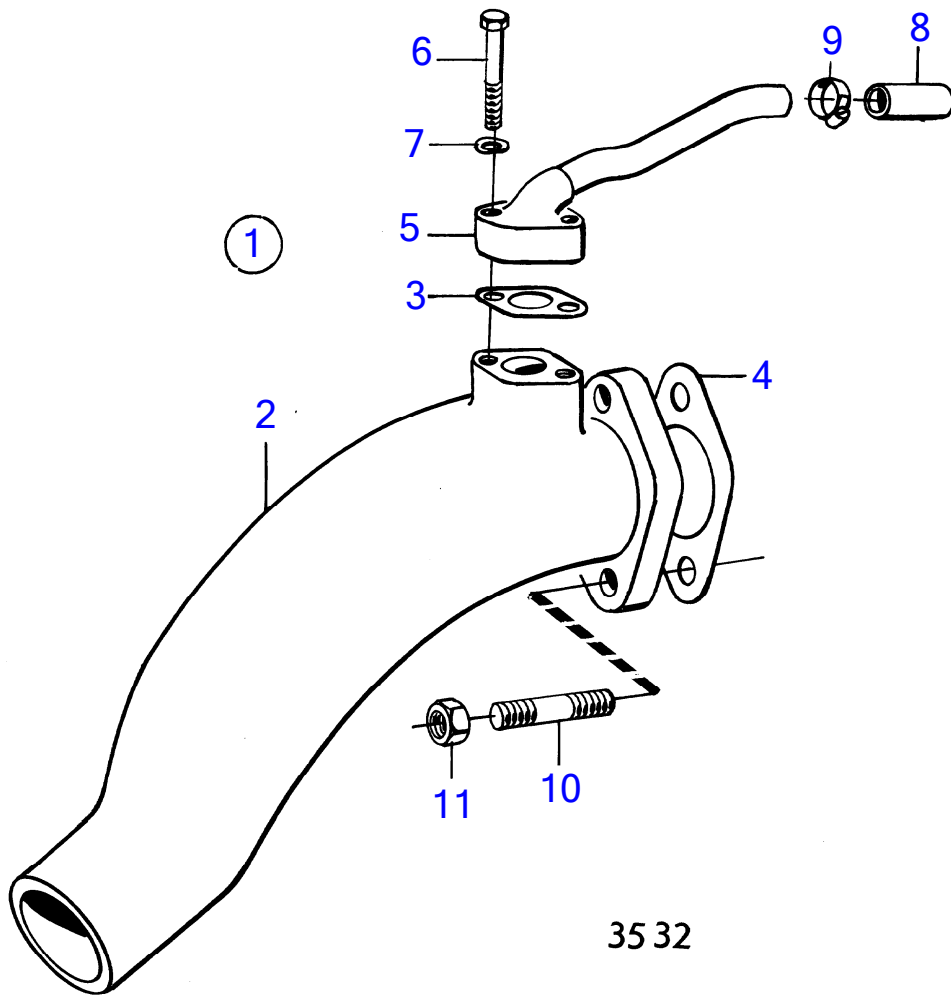
REF	PART NO.	QTY	DESCRIPTION	NOTES
1	855117	1	Nipple	1/8"-27 nptf
	855207	1	Nipple	1/4"-18 NPTF
2	(829744)	1	Hose connection	5/16"
	855129	1	Hose connection	5/16"
3	831630	1	Fuel hose, l=700mm	1/8"NPTF-1/2"UNF
	834899	1	Fuel hose, l=700mm	1/4"NPTF-5/8"UNF
4	845109	1	Fuel filter	5/16", 3/8"
5	821094	1	• Fuel filter	
6	18817	2	• Gasket	
7	(191397)	2	• Nipple	5/16"
	941438	2	• Nipple	3/8"
8	954322	2	• Fitting nut	5/16"
	954323	2	• Fitting nut	3/8"
9	(833972)	1	Water separator	5/16", 3/8"
10	(833971)	1	• Water separator	
11	957176	2	• Gasket	
12	(191397)	2	• Nipple	5/16"
	941438	2	• Nipple	3/8"
13	954322	2	• Fitting nut	5/16"
	954323	2	• Fitting nut	3/8"
14	841071	1	Fuel filter	5/16", 3/8"
15	841054	1	• Fuel filter	
16		1	• • housing	
17	841162	1	• • Filter	
18		1	• • cover	
19	190962	2	• Nipple	5/16"
	954337	2	• Nipple	3/8"
20	954322	2	• Fitting nut	5/16"
	954323	2	• Fitting nut	3/8"
21	(827912)	1	Fuel pipe	5/16"
22	943847	1	• Tube	5/16", L=5000mm
23	954322	3	• Fitting nut	
24	954336	2	• Nipple	
25	(954343)	1	• Elbow nipple	
26	824599	1	• Fuel tap	
27	951189	15	• Clamp	
28	955139	15	• Cross recessed screw	

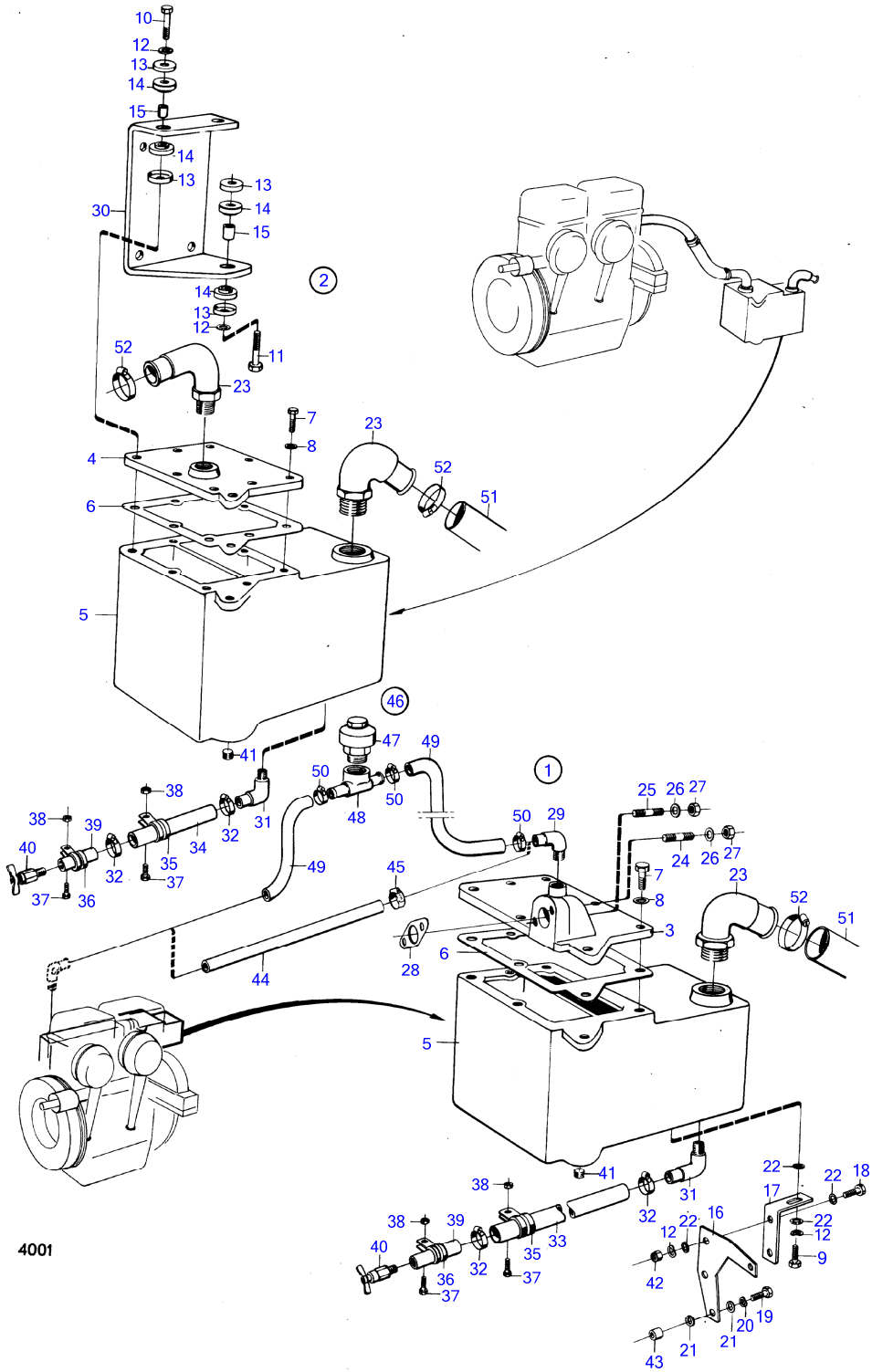
REF	PART NO.	QTY	DESCRIPTION	NOTES
1	(875644)	1	Onboard kit	MD3B
2	875808	1	• Impeller kit	
3	952969	X	• Hose	L=250mm
4	831752	2	• Connecting pipe	
5	961665	4	• Hose clamp	
6	958317	1	• V-belt	L=1175mm
7	824823	1	• Fuse box	
8	11991	1	• Gasket	
	11994	2	• Gasket	
	25534	1	• Gasket	
	957171	8	• Gasket	
	957176	2	• Gasket	
	957178	8	• Gasket	
	15521	1	• Gasket	
	18838	1	• Gasket	
	418948	1	• Gasket	
9	19923	2	• Bulb	

REF	PART NO.	QTY	DESCRIPTION	NOTES
1	828526	1	Seal	D=35mm
2		1	• stuffing box	
3	828528	1	• Clamp	
4	828250	1	• Lubricating grease	
5		1	• universal sleeve	
6		2	•	
7	966170	2	• Lock nut	

REF	PART NO.	QTY	DESCRIPTION	NOTES
1	(871506)	1	Propeller	
	(817461)	1	Propeller	
	(817424)	1	Propeller	
	(871507)	1	Propeller	
	871504	1	Propeller	
	(816878)	1	Propeller	
	871509	1	Propeller	
	(871510)	1	Propeller	
	(871512)	1	Propeller	
	871511	1	Propeller, 5X25	
	817126	1	Propeller	
	871514	1	Propeller	
	(871518)	1	Propeller	
	871513	1	Propeller	
	(871515)	1	Propeller	
	871520	1	Propeller	
2	(871204)	1	Propeller	
	(871017)	1	Propeller	
	(871014)	1	Propeller	
	(871020)	1	Propeller	
	871022	1	Propeller	
	(871600)	1	Propeller	
	871025	1	Propeller	
	871034	1	Propeller	
	(871037)	1	Propeller	
	(871043)	1	Propeller	
	(871045)	1	Propeller	
	(871602)	1	Propeller	
	(871046)	1	Propeller	
	(871048)	1	Propeller	
	(871603)	1	Propeller	
	(871049)	1	Propeller	
	(871051)	1	Propeller	
	(871052)	1	Propeller	
	(871055)	1	Propeller	
	(871056)	1	Propeller	
	(871069)	1	Propeller	
	(871072)	1	Propeller	
	(871601)	1	Propeller	
	(871075)	1	Propeller	
	(871606)	1	Propeller	
	(871076)	1	Propeller	
	(871078)	1	Propeller	
	(871607)	1	Propeller	
	(871210)	1	Propeller	
	871079	1	Propeller	
	(871608)	1	Propeller	
	871086	1	Propeller	
	(871092)	1	Propeller	
	871107	1	Propeller	
	(871215)	1	Propeller	
	(871094)	1	Propeller	
	(871109)	1	Propeller	
	(871096)	1	Propeller	
	871090	1	Propeller	
	(871527)	1	Propeller	
	(871604)	1	Propeller	
	(871098)	1	Propeller	
	(871605)	1	Propeller	
	871102	1	Propeller	
	(871112)	1	Propeller	
	(871609)	1	Propeller	
	(871114)	1	Propeller	







AQD2B

REF	PART NO.	QTY	DESCRIPTION	NOTES
1	875551	2	Piston kit	Std D
	875579	2	Piston	0,75mm o.s
	875498	2	• Piston ring kit	Std D
	875499	2	• Piston ring kit	0,75mm o.s
	833185	2	• Piston pin	
	914515	4	• Snap ring	
	875491	2	Big-end bearing kit	Std D
	875492	2	Big-end bearing kit	0,25mm u.s
	875493	2	Big-end bearing kit	0,50mm u.s
	(875494)	2	Big-end bearing kit	0,75mm u.s
	875483	2	Main bearing kit	Std D
	875485	2	Main bearing kit	0,25mm u.s
	(875486)	2	Main bearing kit	0,50mm u.s
	(875487)	2	Main bearing kit	0,75mm u.s
	875484	1	Main bearing kit	Std D
	875488	1	Main bearing kit	0,25mm u.s
	875489	1	Main bearing kit	0,50mm u.s
	(875490)	1	Main bearing kit	0,75mm u.s
	875502	1	Gasket kit, decarbonizing	
	416033	1	• Sealing ring, thermostat	(418361)
	802399	2	• Gasket, valve cover	Replaced by 859120
	859120	2	• Gasket, valve cover	
	803068	2	• O-ring, Sleeve	
	803374	1	• Gasket, Flange	Replaced by 859015
	859015	1	• Gasket, Flange	
	833070	2	• Gasket, cyl. head	Replaced by 859151
	859151	2	• Cylinder head gasket	
	833598	2	• Gasket, exhaust manifold	Replaced by 859145
	859145	2	• Gasket, exhaust manifold	
	1306630	4	• Valve stem seal, valve	(833347)
	925053	2	• O-ring, shaft	
	957171	6	• Gasket, fuel pipe	
	955989	1	• O-ring, housing	
	896580	4	• Valve cap	
	875503	1	Gasket kit, recondition	Replaced by 876389
	(876389)	1	Overhaul gasket kit	
	(18806)	3	• Gasket, screw	
	11991	1	• Gasket, screw	
	18811	5	• Gasket, Plug	
	11992	8	• Gasket, screw	
	11994	2	• Gasket, hollow bolt	
	957178	8	• Gasket, hollow bolt	
	190252	1	• O-ring, manual starter	
	802551	1	• Gasket, water pump	
	803227	1	• Gasket, reverse gear	Replaced by 853935
	853935	1	• Gasket, reverse gear	
	859159	2	• Gasket, cover	
	803356	1	• Sealing ring, crankshaft	Replaced by 3588879
	3588879	1	• Sealing ring, crankshaft	
	803359	1	• Gasket, cover	
	803360	1	• Gasket, cover	
	803361	1	• Gasket, manual starter	Replaced by 859141
	859141	1	• Gasket, manual starter	
	803371	1	• Sealing ring, manual starter	Replaced by 3886600
	(3886600)	1	• Sealing ring, manual starter	
	833760	1	• Sealing ring, manual starter	Replaced by 3886602
	3886602	1	• Sealing ring, manual starter	
	897327	1	• Gasket, cover	
	807475	1	• Gasket, oil pan	Replaced by 807475
	859035	1	• Gasket, oil pan	
	833568	2	• Gasket, oil pump	
	946742	1	• O-ring, cover	
	946743	1	• O-ring, cover	

CLICK HERE TO **DOWNLOAD** THE COMPLETE MANUAL

- Thank you very much for reading the preview of the manual.
- You can download the complete manual from: [www.heydownloads.com](http://www.heydownloads.com) by clicking the link below



- Please note: If there is no response to CLICKING the link, please download this PDF first and then click on it.

CLICK HERE TO **DOWNLOAD** THE COMPLETE MANUAL