

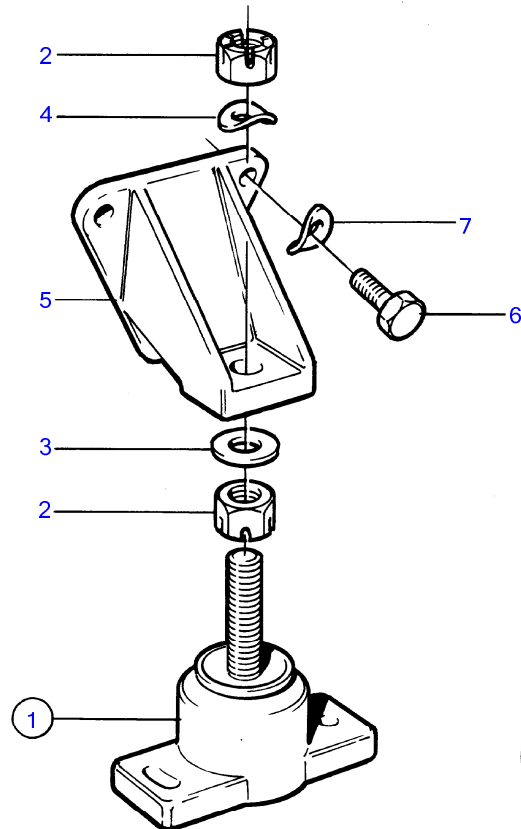
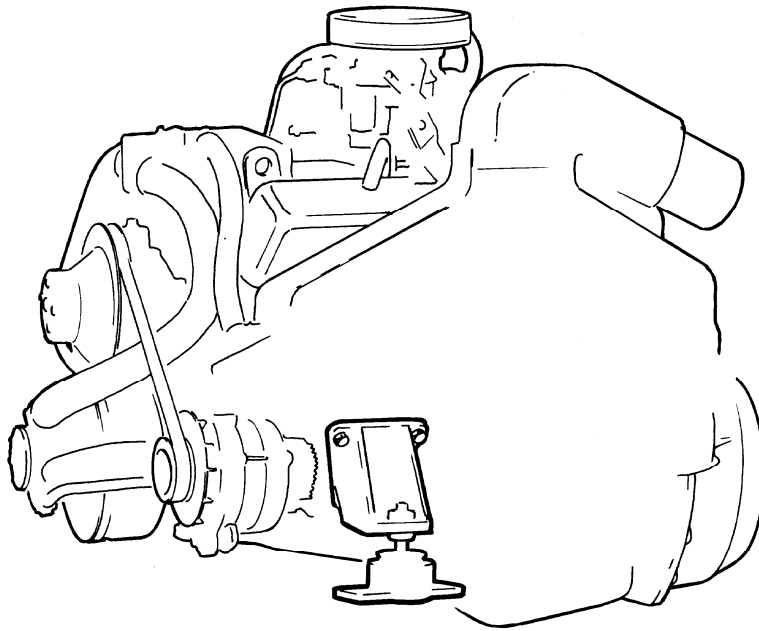
CLICK HERE TO **DOWNLOAD** THE COMPLETE MANUAL

- Thank you very much for reading the preview of the manual.
- You can download the complete manual from: www.heydownloads.com by clicking the link below



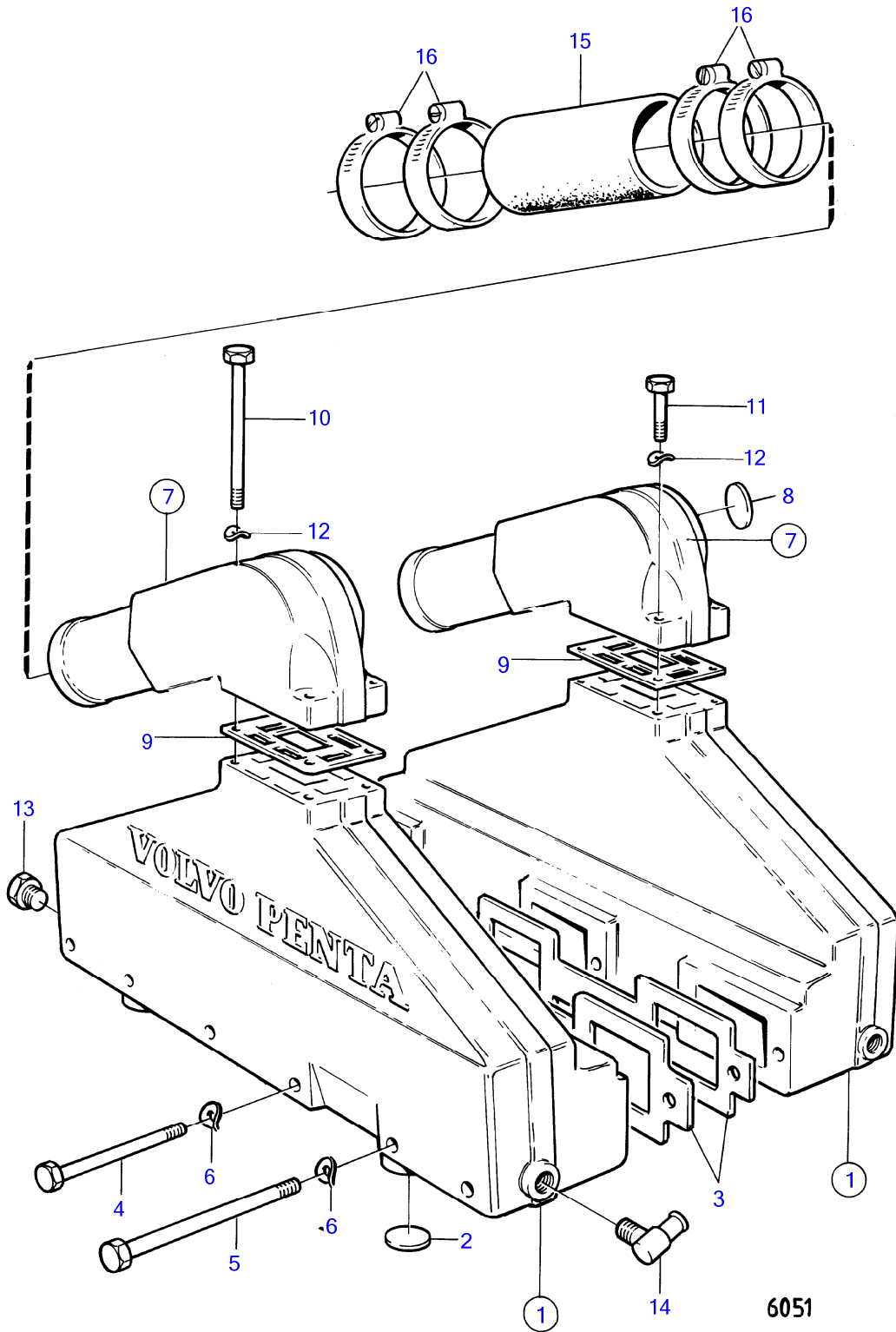
- Please note: If there is no response to CLICKING the link, please download this PDF first and then click on it.

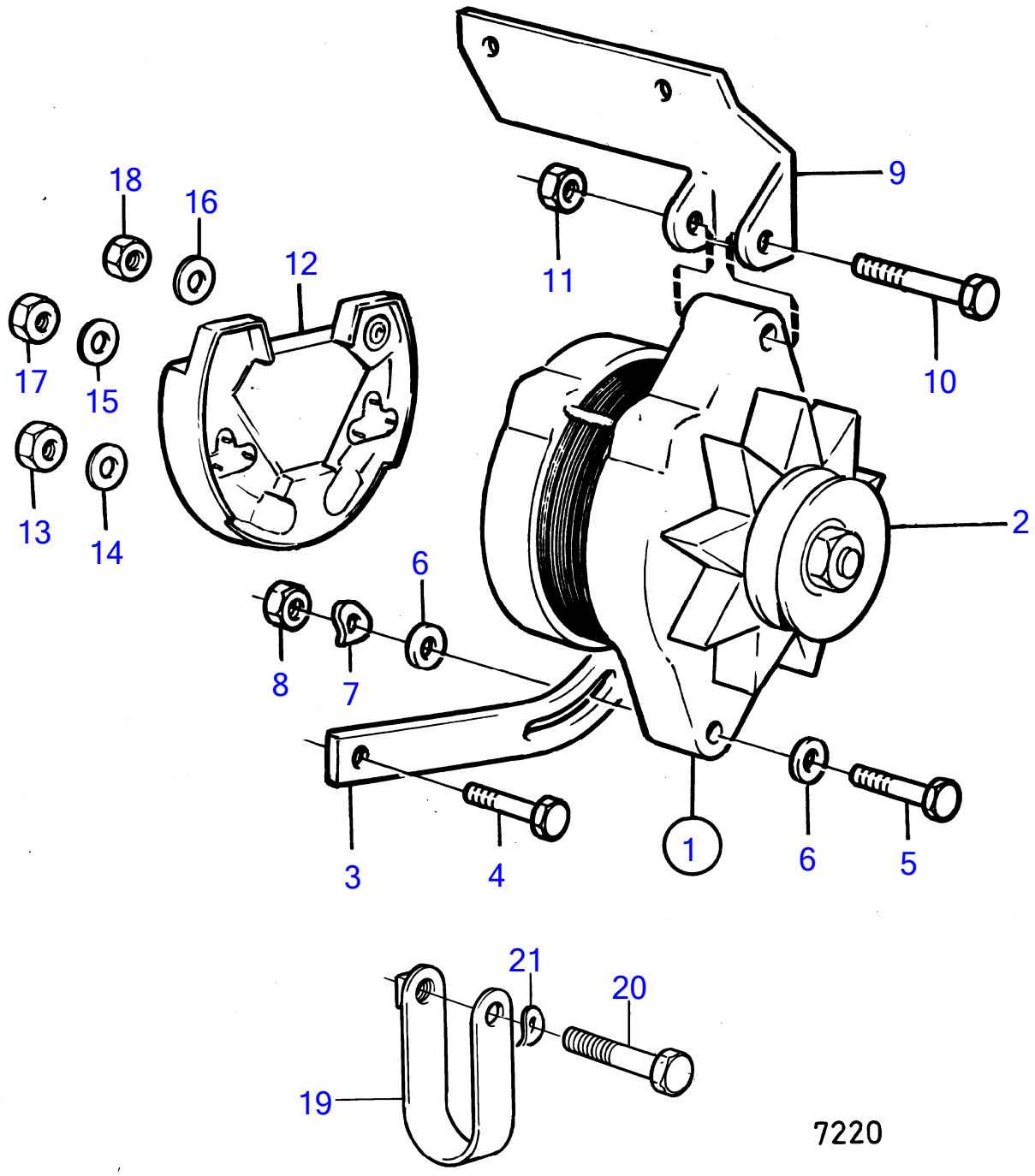
CLICK HERE TO **DOWNLOAD** THE COMPLETE MANUAL



6116

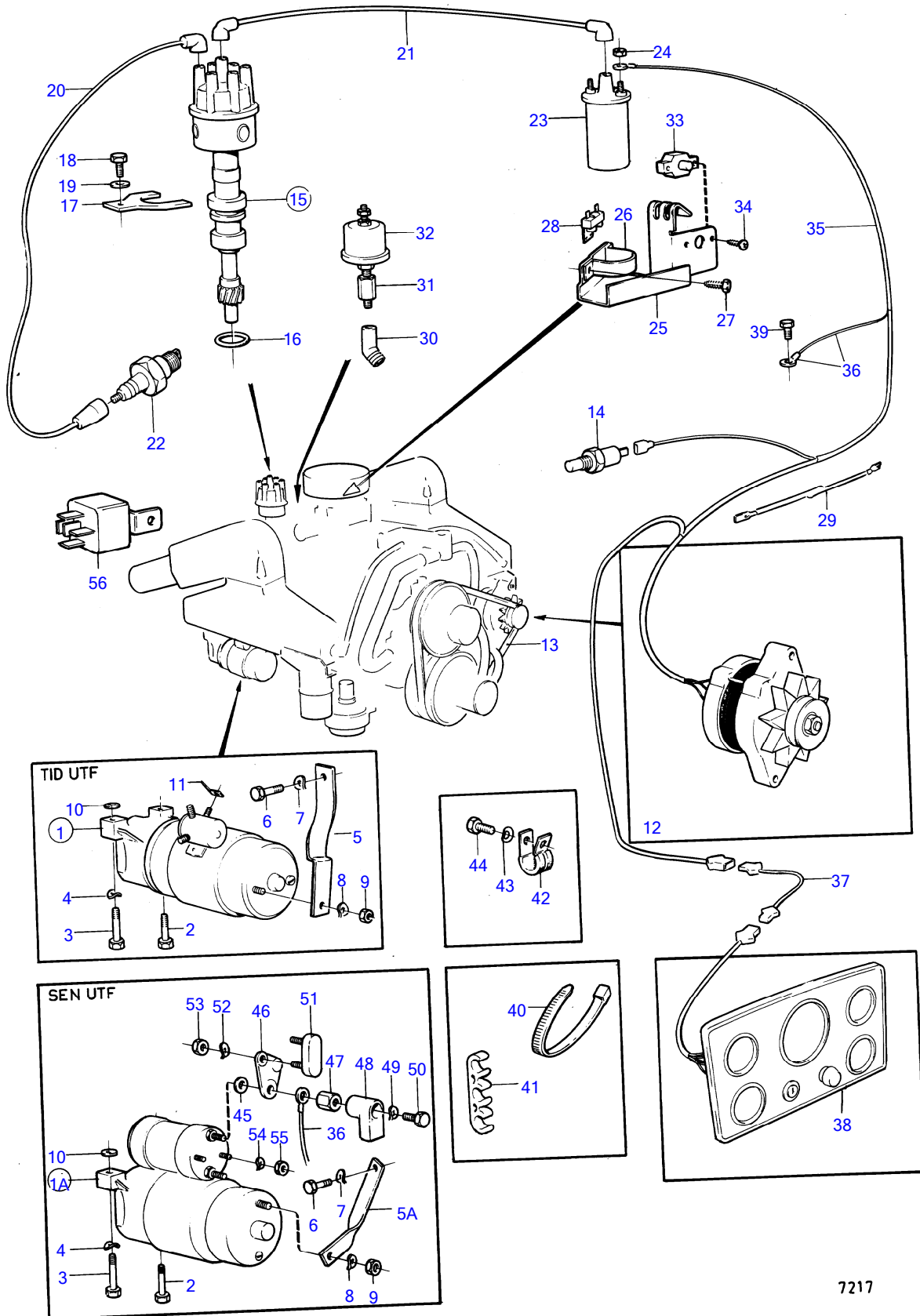
AQ175A





7220

AQ175A



7217

REF	PART NO.	QTY	DESCRIPTION	SEE SEC.	NOTES
1	(841211)	1	Instrument panel		
2	(841075)	1	• Instrument plate		
3	(835655)	1	• Oil pressure gauge		
4	(192451)	1	• • Bulb		
5	841954	1	• • Bulb socket		
6	(835654)	1	• Thermometer		
7	(192451)	1	• • Bulb		
8	841954	1	• • Bulb socket		
9	841938	1	• Tachometer		Replaced by 1ea 841938 tachometer with mount.instruction, 9ea terminals 881493, 1ea terminal 881483, 1ea protection cap 949597, 2X120mm purple cable 965754 and 2X120mm black cable 954443., (835653)
10	(192451)	1	• • Bulb		
11	841954	1	• • Bulb socket		
12	835656	1	• Voltmeter		
13	(192451)	1	• • Bulb		
14	841954	1	• • Bulb socket		
15	835967	1	• Cover washer		
16	835968	1	• Foil		
17	824963	1	• Starter switch		Marked Bosch.
18	(831606)	2	• • Key		State key code when ordering
19	(831536)	1	• Nut		
20	(827769)	1	• Collar		
21	(875819)	1	• Switch		
22	843002	1	• • Nut		
23	(837726)	1	• • Knob		
24	841073	2	• Fuse holder		
25	(841518)	2	• Fuse		(841076)
26	(944540)	4	• Screw		
27		1	• cable unit		
28		X	• • cables and terminals	54151553	

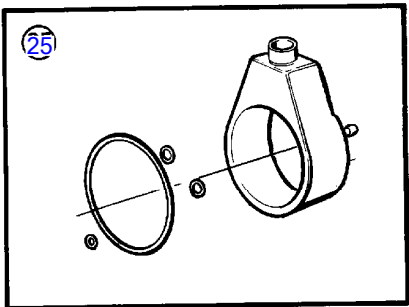
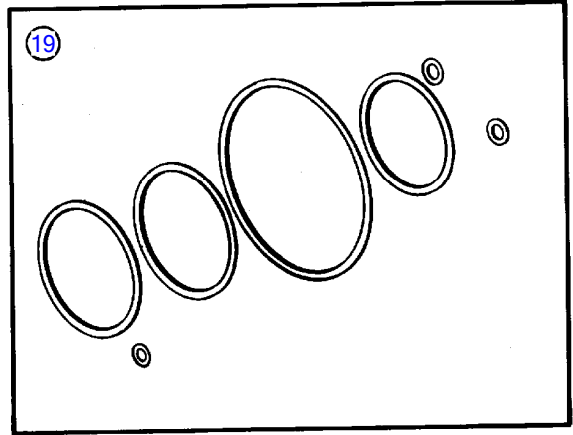
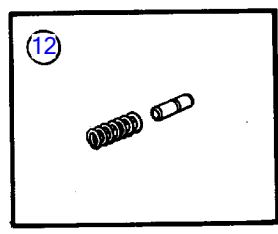
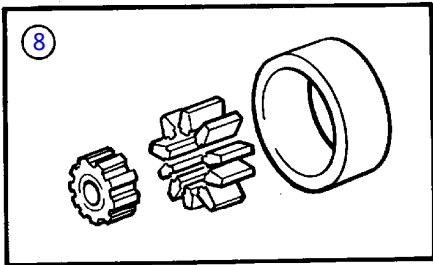
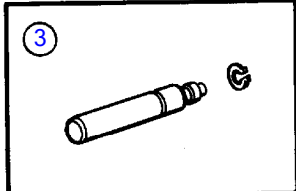
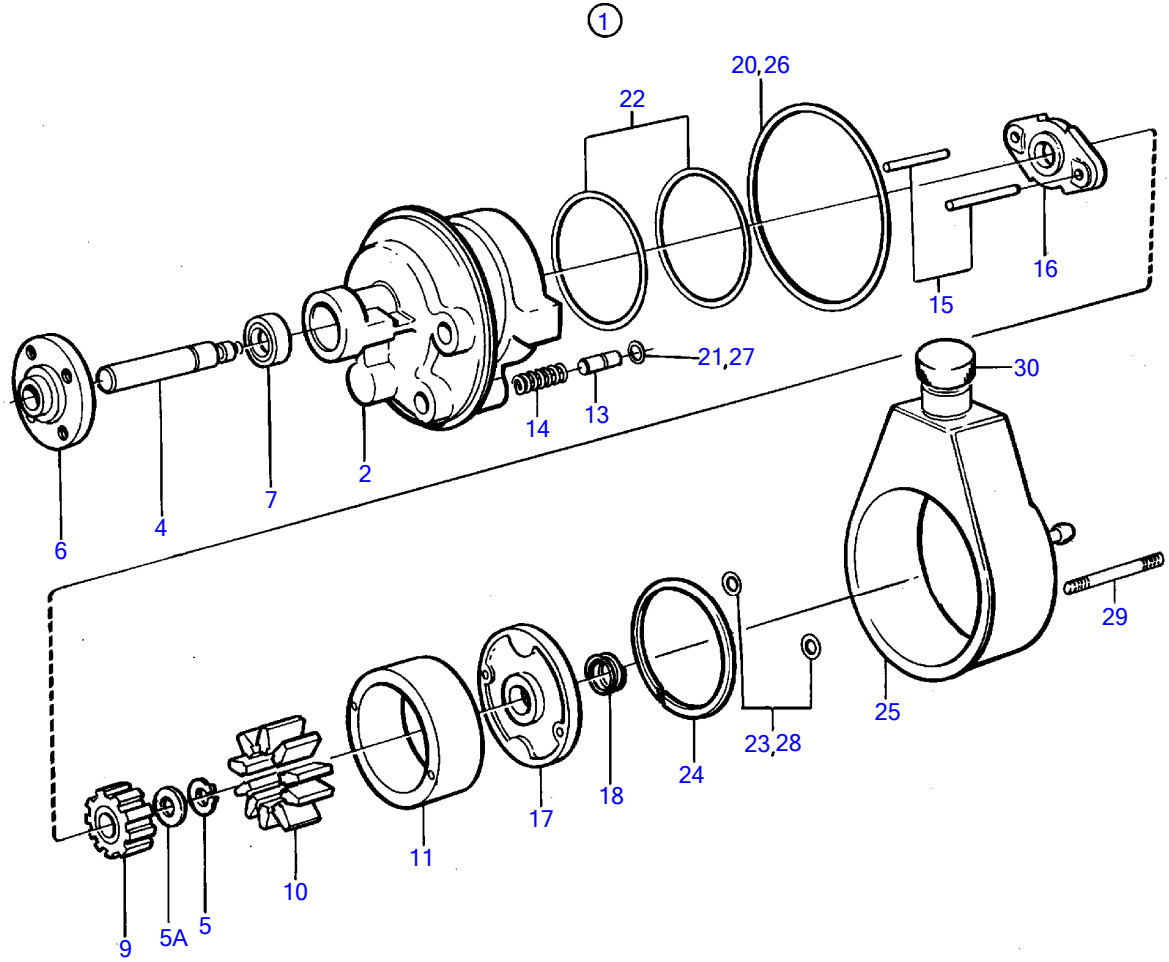
REF	PART NO.	QTY	DESCRIPTION	SEE SEC.	NOTES
1	850354	1	Drive		PZ-2898014., Replaced by 1ea 851317, 1ea 851267., Ratio 1,61:1
	851317	1	Aquamatic drive		PZ 2898015-, Replaced by 852161., Ratio 1,61:1
	852161	1	Aquamatic drive		Ratio 1,61:1
2		1	• upper gear unit	54151568	
3		1	• interm housing	54151571	
4		1	• lower gear unit	54151573	
	875192	1	Gasket kit	54151573	See group 10

AQ175A

REF	PART NO.	QTY	DESCRIPTION	SEE SEC.	NOTES
56	853100	2	Lock nut		
57	853059	2	Washer		
58	852839	2	Hose	54151563	
59		1	hydraulic pump and trim instrument with installation components	54151563	
				54151563	
				54151563	
60	852835	1	Zinc electrode, Zinc		For use in Saltwater
	3588770	1	Anode kit, Aluminium		For use in Salt and Brackish water
	3588768	1	Anode kit, Magnesium		For use in Freshwater
61	946541	2	Hex. socket screw		
62	852877	1	Check valve		
63	(852878)	1	Attaching plate		
64	963545	2	Hexagon screw		
65	852866	6	Washer		
66	963108	6	Lock nut		
67	806310	1	Mounting kit		
68	804190	2	• Rubber ring		
69	191844	6	• Hexagon screw		
70	806624	3	• Striker plate		
71	853175	2	Pivot pin		
72	853215	2	Plug		
73	963699	2	Hex. socket screw		
74	941670	2	Washer		
75	841967	1	Flywheel housing		
76		11	resilient washer		See group 2A
77		11	screw		See group 2A
78	914167	1	Lubricating nipple		
79	839425	1	Spindle		
80	958860	2	Sealing ring		
81	11013	1	Ball bearing		
82	914533	3	Snap ring		
83	914462	1	Snap ring		
84	181105	1	Ball bearing		
85	855373	1	Hose		
86	961669	4	Hose clamp		
87	855388	2	Exhaust hose		See group 2B
88	834718	8	Hose clamp		See group 2B
89	925260	1	O-ring		
90	852846	1	Exhaust grommet		
91	955328	4	Hexagon screw		
92	960148	4	Washer		
93	875848	1	Bellows kit		
94	961675	2	• Hose clamp		
95		1	• rubber bellow		
96	851766	1	Hose connection		See group 4C
97		X	control cable		See group 9
98		X	power steering		See group 6
		X	roto pilot		See group 6

REF	PART NO.	QTY	DESCRIPTION	SEE SEC.	NOTES
1	832682	1	Intermediate housing		
2	897829	1	• Gear yoke		
3	814397	1	• Coupling rod		
4	897447	1	• Shaft		
5	897511	2	• Washer		
6	17253	1	• Split pin		
7	925259	1	O-ring		
8	967352	X	Shim		TH=0,05mm
	943866	X	Shim		TH=0.1mm
	943867	X	Shim		TH=0.2mm
	943868	X	Shim		TH=0.4mm
9	875365	1	Fork		
10	940194	1	• Lubricating nipple		
11	814388	1	• Bushing		
12	183391	1	• Needle roller bearing		
13	181620	2	• Sealing ring		
14	941807	2	Hex. socket screw		
15	814390	2	Plastic washer		
16	941885	2	Lock nut		
17	897448	1	Control rod		
18	813954	1	Fork		
19	940190	1	Hexagon nut		
20	192662	1	Split pin		
21	17253	2	Split pin		
22	814386	1	Steering knuckle		
23	941820	1	O-ring		
24	897696	1	Washer		
25	941809	1	Hex. socket screw		
26	941808	2	Hex. socket screw		
27	851766	1	Hose connection		See group 4A
	832846	1	Hose connection		See group 4A, power trim
28	814356	1	Seal		
29	941813	2	Hex. socket screw		
30	897644	1	Tube		
31	125017	2	O-ring		
32	(897457)	1	Cable attachment		
33	940168	2	Hexagon screw		
34	940191	2	Washer		
35	876278	2	Bushing kit		
36	804312	1	Cube		
37	907834	1	Split pin		(17276)
38	940191	2	Washer		
39	814434	1	Inhibitor		
40	814391	2	• Catch		
41	(814389)	1	• Bearing sleeve		
42	814422	2	• Spacer washer		
43	852046	1	• Push rod		(814421)
43A	940197	1	• • Hexagon nut		
44	897722	1	• Thrust sleeve		
45	814394	1	• Lock brace		
46	814395	2	• Spindle		
47	832534	1	• Spring		
48	814399	1	• Shaft		
49	943194	1	• Washer		
50	814392	1	• Snap hook		Left
51	814419	1	• Shaft		
52	814393	1	• Snap hook		Right.
53	943197	2	• Lock nut		
54	814398	1	• Spindle		
55	814396	1	• Spring		
56	814332	2	• Spring		
57	941814	2	Stud	54151568	
58		X	control cable		See group 9

REF	PART NO.	QTY	DESCRIPTION	SEE SEC.	NOTES
1	850460	1	Upper gear		Replaced by 1ea 851340, 1ea 851267., PZ-2898014
	851340	1	Upper gear		PZ2898015-
2	(832674)	1	• Housing		
3	941814	2	• Stud	54151571	
4	832667	1	• Gear housing cover		
5	814179	1	• Plug		
6	897682	1	• Gasket		
7	941807	3	• Hex. socket screw		
8	814643	1	• Hollow screw		
9	955989	1	• O-ring		
10	832669	1	• Gasket		
11	(839027)	1	• Gear set		
12	(875425)	1	• Bearing box		
13	951940	1	• • Spring pin		
14	183247	1	• • Roller bearing		
15	183668	1	• • Roller bearing		
16	897772	1	• • Oil deflector		Early type
17	925256	2	• O-ring		
18	941826	X	• Shim		TH=0,05mm
	941827	X	• Shim		TH=0.2mm
	948230	X	• Shim		TH=0.35mm
19	839253	1	• Sealing ring		
20	914538	1	• Snap ring		
21	832675	1	• Washer		
22	956000	1	• O-ring		
23	943871	X	• Shim		TH=0,05mm
	943872	X	• Shim		TH=0.1mm
	943873	X	• Shim		TH=0.2mm
24	839028	1	• Universal joint		
25	853560	1	• • Joint fork kit		
26	839026	1	• • Fork		
27	897706	1	• • Universal joint		
28	897707	2	• • Cross piece		Replaced by 853455., PZ-28159836
	853255	2	• • Spider		PZ28159837-
29	(897776)	4	• • • Lock ring		For 897707
	(853331)	4	• • • Lock ring		For 853255
30		8	• • • needle bearing		
31		8	• • • protector ring		
32		8	• • • cork ring		
33	(851293)	1	• Screw		
34	839013	1	• Washer		
35	(839589)	1	• Clamping ring		PZ-2898014
	851265	1	• Clamping ring		PZ2898015-
35A	852705	1	• Pivot pin		PZ2898015-
35B	941807	2	• Hex. socket screw		PZ2898015-
36	956590	4	• Hex. socket screw		
37	942598	4	• Washer		
38	853542	2	• Ball bearing		(183729)
39	832644	2	• Bearing sleeve		
40	943869	X	• Shim		TH=0,05mm
	946179	X	• Shim		TH=0.1mm
	943870	X	• Shim		TH=0.2mm
41	967352	X	• Shim		TH=0,05mm
	943866	X	• Shim		TH=0.1mm
	943867	X	• Shim		TH=0.2mm
	943868	X	• Shim		TH=0.4mm
42	(897385)	1	• Shaft		
43	814601	1	• Sliding sleeve		
44	813970	1	• Spring		
45	26411	1	• Shim		TH=1.0mm
46	951077	1	• Snap ring		
47	181359	4	• Needle roller assemb		
48	(897308)	2	• Spacer ring		



7222

CLICK HERE TO **DOWNLOAD** THE COMPLETE MANUAL

- Thank you very much for reading the preview of the manual.
- You can download the complete manual from: www.heydownloads.com by clicking the link below



- Please note: If there is no response to CLICKING the link, please download this PDF first and then click on it.

CLICK HERE TO **DOWNLOAD** THE COMPLETE MANUAL

AQ175A

REF	PART NO.	QTY	DESCRIPTION	SEE SEC.	NOTES
1				54151593	
				54151593	
				54151593	
	850809	1	Steering head	54151593	
			.	54151593	
2	(850936)	1	Steering wheel		(814138)
3	(839544)	1	Steering lock	54151594	
			.	54151594	
4	(839617)	1	Extension cable		
5	853185	X	Steering cable		L=3000mm
	850811	X	Steering cable		L=3300mm
	853188	X	Steering cable		L=3750mm
	853189	X	Steering cable		L=4000mm
	853190	X	Steering cable		L=4250mm
	850815	X	Steering cable		L=4500mm
	850816	X	Steering cable		L=4800mm
	853193	X	Steering cable		L=5000mm
	853194	X	Steering cable		L=5500mm
	853195	X	Steering cable		L=6100mm
	828866	X	Steering cable		L=6750mm
	853287	X	Steering cable		L=8000mm
	853288	X	Steering cable		L=8500mm
6	850771	1	Anchorage		(835693)
7	850778	4	Nut		(955861)
8		1	bracket		Replaced by 1ea bracket 850958, 2ea bolt 955541, 1ea bushing 850959, 1ea bushing 850960.
8A	(850958)	1	Guide bracket		
9	942336	2	Spring washer		
9A	(850960)	1	Bushing		
9B	(850959)	1	Bushing		
10	955542	2	Hexagon screw		L=83mm
10A	955541	2	Hexagon screw		L=76mm
11	(850478)	1	Link rod		L=318mm
	(850479)	1	Link rod		L=195mm
12	940154	1	Hexagon nut		
13	(956511)	1	Fork		
14	913158	1	Clevis pin		
15	940097	1	Washer		
16	(907856)	1	Split pin		
17	964960	1	Split pin		
18	(851385)	1	Link arm		(850480)
18A	850653	1	Bushing		See group 4A
19	914169	1	Lubricating nipple		
20	(875772)	2	Ball joint kit		
21	851326	2	• Nut		
22	850736	1	Control rod		
23	940152	2	Hexagon nut		
24	955906	1	Washer		
25	(850489)	1	Stop arm		
26	(850488)	1	Steering arm		See group 4A
27	(828913)	1	Link stay		Only for twin installation., Adjustable between 610-970mm.
28	(956511)	1	• Fork		
29	913158	1	• Clevis pin		
30	(907856)	1	• Split pin		
31	940154	4	• Hexagon nut		
32	(839577)	2	• Threaded rod		
33	(839576)	1	• Tube		L=560mm
	(850775)	1	• Tube		Only included in 850776., L=360mm
34	(956511)	1	• Fork		
35	(907856)	1	• Split pin		
36	913158	1	• Clevis pin		

AQ175A

REF	PART NO.	QTY	DESCRIPTION	SEE SEC.	NOTES
1	839470	2	Mounting kit		Repl by 851602
2	839472	2	• Cover		
4	839474	2	• Plate		
5	839475	2	• Hand lever		
6	(946786)	2	• Set screw		M5
	839693	2	• Lock screw		M8
7	(839480)	2	• Bracket		Marked 839480
	(839481)	2	• Bracket		Marked 839481
8	955244	8	• Hexagon screw		
9	(955946)	8	• Toothed washer		
10	947671	4	• Hex. socket screw		
12	960138	4	• Washer		
13	955780	12	• Hexagon nut		
14	947672	4	• Hex. socket screw		
15	960139	4	• Washer		
16	955781	4	• Hexagon nut		
17	839469	2	Control mechanism	54151617	Repl by 851600
			•	54152316	
				54151617	
18	841165	1	Switch		Main station.
	841166	1	Switch		second station
19	850200	2	• Toggle switch		
20		X	• • cables and terminals		See group 3
21	946177	4	• Cross recessed screw		
22	947536	4	• Hexagon nut		

7743300-90-54151604

44244

Upd:7/18/2022

AQ175A

AQ175A

REF	PART NO.	QTY	DESCRIPTION	SEE SEC.	NOTES
1	(853169)	1	Mounting kit		Twin
2	(851885)	1	• Cover		
3	(851895)	2	• Decal		
4		1	• Crossbar		
5	(851897)	1	• Decal		
6	852347	2	• Hand lever	54151612	
			• •	54151612	
7	853004	2	• Push button		
8	963678	2	• Hex. socket screw		
9	851600	2	• Control	54151617	
			•	54152317	
			• •	54151617	
10	947671	4	• Hex. socket screw		
11	960138	4	• Washer		
12	955780	4	• Hexagon nut		
13	839479	1	• Plate		
14	853423	2	• Retainer		
15	852924	2	• Locking pin		
16	839664	2	Screw		
17	839638	2	Cube		
18	17253	2	Split pin		
19	839641	2	Neutral position con		
20	(839619)	2	• Cable kit		
21	850200	2	• • Toggle switch		
22		X	• • cables and terminals		
23	1501832	2	• Relay		
24	946177	4	• Cross recessed screw		
25	947536	4	• Hexagon nut		
26	948210	X	• Cable tie		

7743300-90-54151611

45336

Upd:7/18/2022

AQ175A

AQ175A

REF	PART NO.	QTY	DESCRIPTION	SEE SEC.	NOTES
1	851604	2	Mounting kit		
2	839518	2	• Cover		
3	839520	2	• Hand lever		
4	839693	2	• Lock screw		M8
5	955142	8	• Cross recessed screw		
6	851601	2	Control	54151617	
			•	54152318	
			•	54151617	
6A	852924	1	• Locking pin		
7	841165	1	Switch		Main station.
	841166	1	Switch		second station
8	850200	2	• Toggle switch		
9		X	• • cables and terminals		See group 3
10	946177	4	• Cross recessed screw		
11	947536	4	• Hexagon nut		

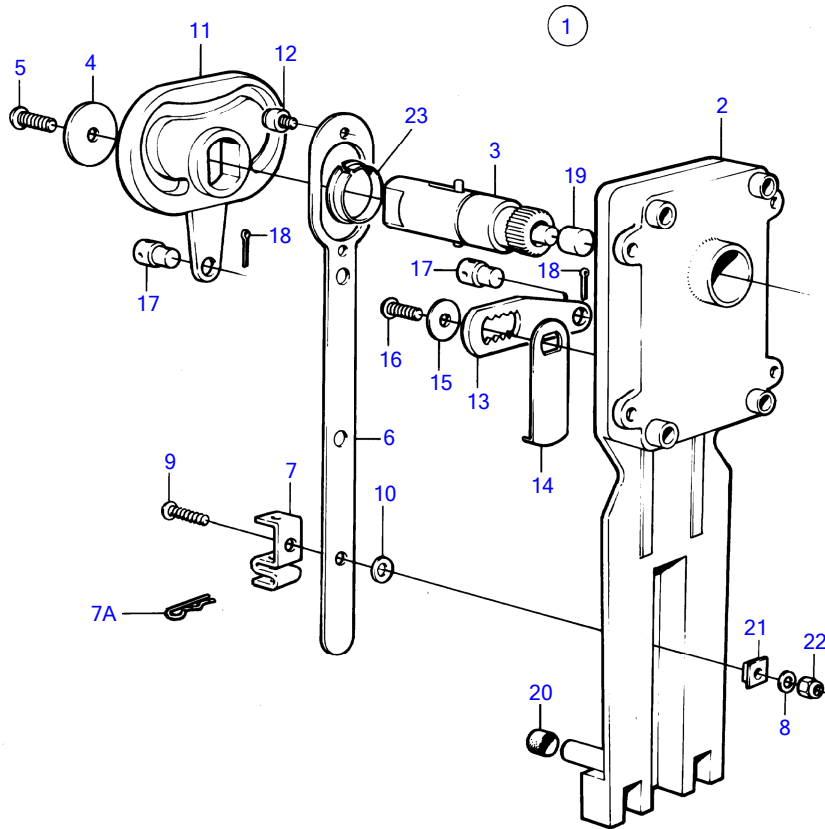
AQ175A

REF	PART NO.	QTY	DESCRIPTION	NOTES
1	843114	1	Oil bilge pump	12V
2		1	• el motor	12V
3	(844014)	2	• • Carbon brush	
4	(844015)	1	• • Pump housing	
5	844022	1	• • Impeller kit	
6	844017	1	• • Wear washer	
7	844016	1	• • Wear washer	
8		1	• • o-ring	
9	(844018)	1	• • Cap	
10	(844021)	4	• • Screw	
11		1	• • seal ring	
12		1	• • lock washer	
13	(844019)	1	• • Deflector ring	
14	844020	2	• • Screw	
15	843113	1	• Cable trunk	
16		1	• • battery terminal	Replaced by 1ea 844280,1ea 844278, +
		1	• • battery terminal	Replaced by 1ea 844280,1ea 844279
	844280	2	• • Clip	Late type
17	(844279)	1	• • Insulation	Late type black
	(844278)	1	• • Insulation	Late type red
18		X	•	L=3000mm
19	943471	3	• Hose clamp	

REF	PART NO.	QTY	DESCRIPTION
1		1	Hand lever
2		1	▪ handle
3		1	▪ ring
4		1	▪ support ring
5		1	▪ bar
6		1	▪ lock plate
7		1	▪ knob
8		1	▪ cover
9	853003	2	▪ Nail

AQ175A

REF	PART NO.	QTY	DESCRIPTION	NOTES
1	(813279)	1	Propeller	14X10
	(897626)	1	Propeller	14X11
	(813282)	1	Propeller	14X12
	813284	1	Propeller	14X13
	(813286)	1	Propeller	14X14
	814626	1	Propeller	High speed., 14X15
	814627	1	Propeller	High speed., 14X17
	(813364)	1	Propeller	14X18
	814628	1	Propeller	High speed., 14X19
	(850781)	1	Propeller	Cup, high speed., 14X19
	(813304)	1	Propeller	14X20
	851138	1	Propeller	High speed., 14X21
	(850782)	1	Propeller	Cup, high speed., 14X21
	839569	1	Propeller	High speed., 14x23
	851141	1	Propeller	Long hub., High speed., 14x23
	813296	1	Propeller	15X11
	813316	1	Propeller	15X13
	814611	1	Propeller	High speed., 15X15
	814612	1	Propeller	High speed., 15x17
	851124	1	Propeller	Long hub., High speed., 15x17
	850864	1	Propeller	Long hub., High speed., 15X19
	850866	1	Propeller	Long hub., High speed., 15X21
	851035	1	Propeller	Long hub., High speed., 16X13
	851037	1	Propeller	Long hub., High speed., 16x15
	(832606)	1	Propeller	16X16
	851039	1	Propeller	Long hub., High speed., 16X17
	852612	1	Propeller	Long hub., High speed., 16x19
	852633	1	Propeller	Long hub., High speed., 16X21
	852490	1	Propeller	Long hub., High speed., 16x23



7600

CLICK HERE TO **DOWNLOAD** THE COMPLETE MANUAL

- Thank you very much for reading the preview of the manual.
- You can download the complete manual from: www.heydownloads.com by clicking the link below



- Please note: If there is no response to CLICKING the link, please download this PDF first and then click on it.

CLICK HERE TO **DOWNLOAD** THE COMPLETE MANUAL