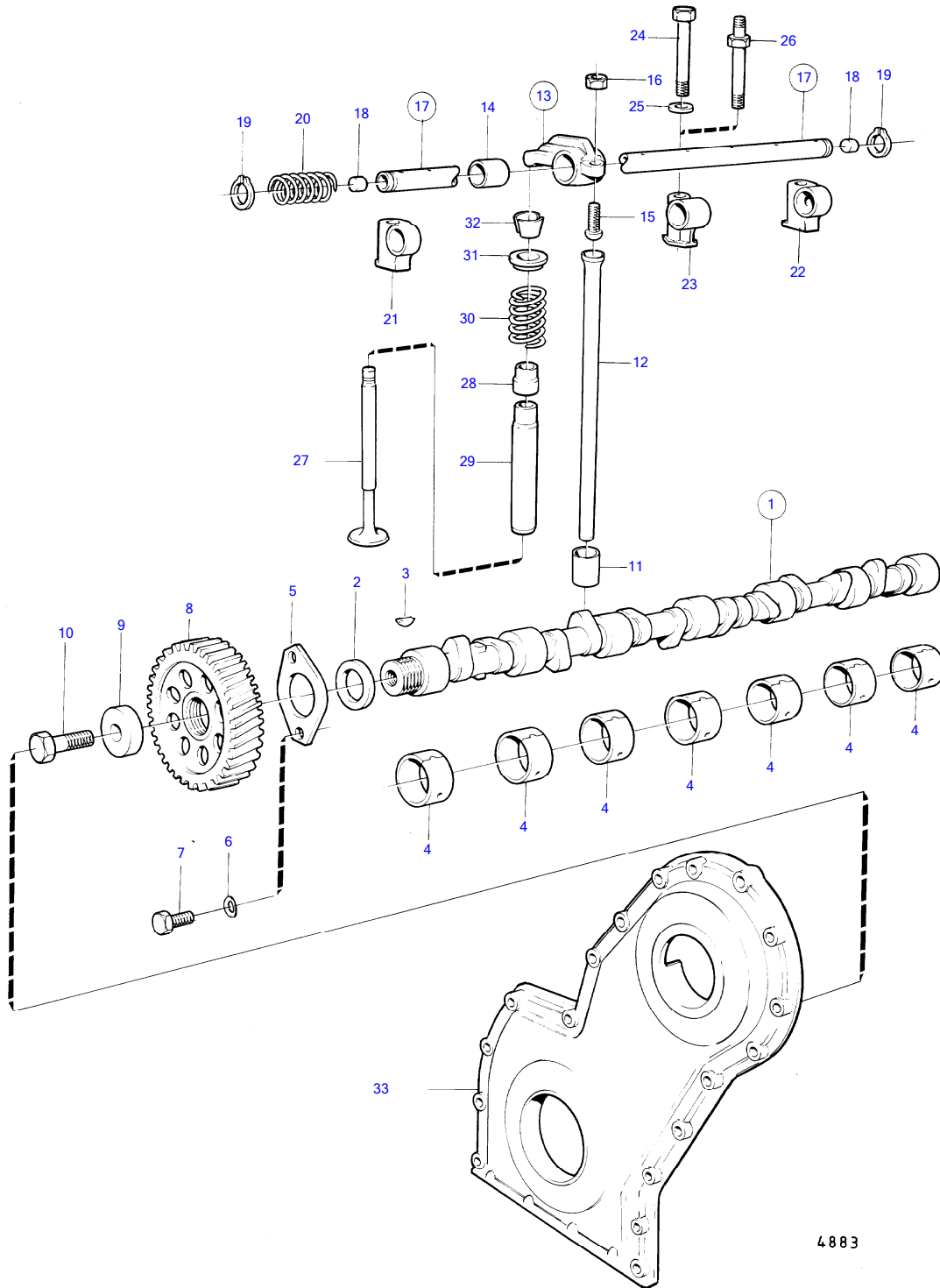


TMD40B, TMD40C



4883

CLICK HERE TO **DOWNLOAD** THE COMPLETE MANUAL

- Thank you very much for reading the preview of the manual.
- You can download the complete manual from: www.heydownloads.com by clicking the link below



- Please note: If there is no response to CLICKING the link, please download this PDF first and then click on it.

CLICK HERE TO **DOWNLOAD** THE COMPLETE MANUAL

AQAD40A, AQAD40B, TAMD40A, TAMD40B

REF	PART NO.	QTY	DESCRIPTION	NOTES
1	1542463	1	Cylinder block	
	1545051	1	Cylinder block	Repl by 838981
	(838981)	1	Cylinder block	
2		7	.	
3	1542416	14	• Flange screw	
4	1542067	7	• Camshaft bushing	
5	463905	5	• Expansion plug	
6	1542263	1	• Expansion plug	
7	955083	4	• Cap plug	
8	1545160	4	• Spacer sleeve	
9	955324	4	• Hexagon screw	
10	955082	3	• Cap plug	
11	941908	4	• Spring washer	
12	1545204	4	• Spacer sleeve	
13	415311	2	• Guide sleeve	
14	955082	3	• Cap plug	
15	946035	6	Lock nut	
16	955981	6	O-ring	
17	1542050	2	Inspection lid	
18	(842995)	1	Housing	
19	1542052	3	Seal	
20	924075	5	Stud	
21	17378	1	Stud	
21A	(843882)	1	Splash plate	
22	469846	6	Sealing ring	(424342)
23	(1542286)	6	Cap nut	
24	914449	6	Snap ring	
25	875850	1	Filter	Repl by 876069
	876069	1	Filter	
26	843449	1	• Gasket	
27	924058	1	Stud	
28	842972	1	Valve disc	
29	842974	1	Spacer sleeve	
30	843905	1	Spring	
31	842975	1	Protecting casing	
32	421158	1	Sealing ring	
33	963105	1	Lock nut	
34	829467	1	Flywheel housing	
35	3582851	1	• Sealing ring	
36	(404069)	1	• Pin	
37	829487	1	Gasket	
38	941908	8	Spring washer	
39	955320	6	Hexagon screw	L=40mm
	955321	2	Hexagon screw	L=45mm
40	407092	1	Inspection cover	
41	941906	2	Spring washer	
42	955269	2	Hexagon screw	
43	(829488)	1	Gasket	See group 4A
44	829489	1	Cap	Only when reverse gear is installed.
45	941908	11	Spring washer	
46	955319	11	Hexagon screw	
47		1		
48	(844051)	1	Spring washer	
49	1545159	1	Foot plate	
50	952077	2	Plug	
51	191026	5	Plug	
52	947893	1	Shut-off cock	
53	1542320	6	Oil jet	
54	1542380	6	Stud	

7744060-21-54153331

46148

Upd:7/25/2022

TMD40A, TMD40B, TMD40C

REF	PART NO.	QTY	DESCRIPTION	NOTES
1	829517	2	Engine bracket	
2	955342	8	Hexagon screw	
3	940280	8	Spring washer	
4	829515	1	Engine bracket	P
	829516	1	Engine bracket	S.B
5	940143	6	Toothed washer	
6	955341	5	Hexagon screw	L=35mm
	955342	1	Hexagon screw	L=40mm, alt
7	843122	1	Spacer sleeve	S.B
8	829976	4	Rubber element	
8A	955900	4	• Washer	
8B	829567	4	• Adjuster bolt	
9	955805	8	Hexagon nut	
10	191940	8	Washer	Early type
	955900	2	Washer	Late type
11	829892	16	Lock washer	Early type
12	959242	8	Hex. socket screw	Early type
13	941908	8	Spring washer	
14	960148	8	Washer	

AQD40A, MD40A

REF	QTY	SEE SEC.
1		54153329
		54153329
		54153329
		54153329
	1	54153329
		54153329
2	1	54153332
		54153332
3	1	54153340
		54153340
4	1	54153342
		54153342
5	1	54153312
6	1	54153314
7	1	54153321

--	--	--



REF	PART NO.	QTY	DESCRIPTION	NOTES
1	1542210	1	Oil pump	
2	(1542211)	1	• Bracket	
3	470234	1	• Bushing	MO 32828-
4	420043	1	• Pivot pin	
5	(950614)	1	• Pin	
6		1	•	
7		1	•	
8		1	•	
9	470234	1	• Bushing	MO 32828-
10	401146	2	• Guide sleeve	
11	955300	2	• Hexagon screw	Early type
	965179	2	• Flange screw	Late type
12	941907	2	• Spring washer	Early type
13	424133	1	• Washer	
14	1542214	1	• Gear	
15	910115	1	• Woodruff key	
16	1542215	1	• Oil pump wheel	
17	1542218	1	• Bearing sleeve	
18	(1542199)	1	• Lock washer	Early type
19	940132	3	• Hexagon screw	Early type
	946470	3	• Flange screw	Late type
	276166		Oil pump kit	

REF	PART NO.	QTY	DESCRIPTION	NOTES
1	(845280)	1	Injection pump	
2		1	•	
3	(844178)	1	• Sealing ring	
4	(838452)	1	• Lock ring	
5	955784	1	• Hexagon nut	
6	(844144)	1	• Rotor kit	
7	(844145)	1	• Support ring	
8	956169	2	• Cross recessed screw	(845722)
9	(844146)	1	• Washer	
10	(844147)	1	• Gear	
11	(844148)	1	• Axle shaft	
12	(844293)	1	• Key	
13	(25464)	1	• Key	
14		2	•	
15	(844151)	1	• Rotor	
16	(844152)	1	• Washer	
17	(244691)	1	• Spring	
18	(844154)	1	• Companion disc	
19	(243531)	1	• Adjusting washer	TH=1,80mm
	(243534)	1	• Adjusting washer	TH=1,94mm
	(845726)	1	• Shim	TH=2,00mm
	(844155)	1	• Adjusting washer	TH=2,12mm
	(844156)	1	• Adjusting washer	TH=2,20mm
	(845729)	1	• Shim	TH=2,32mm
	(845730)	1	• Shim	TH=2,40mm
	(243545)	1	• Adjusting washer	TH=2,50mm
	(844158)	1	• Adjusting washer	TH=2,52mm
	(844160)	1	• Adjusting washer	TH=2,72mm
	(844161)	1	• Adjusting washer	TH=2,80mm
20	(243527)	1	• Gasket	TH=1,40mm
21	(243530)	1	• Gasket	
22	(844162)	1	• Washer	
23	844164	1	• Spring kit	
24	(844163)	2	• Spring disc	
25	(844165)	1	• Washer	
26	(844166)	2	• Pin	
27	(844167)	2	• Spring	
28	(243555)	1	• Sealing ring	(844168)
29		1	•	
30	844186	1	• Spring	
31	844368	1	• O-ring	
32		1	• Magnet	(838412)
33	(25261)	1	• Washer	(838405)
34	(838406)	1	• Nut	
35	(244931)	4	• Hex. socket screw	(844173)
36	(838402)	1	• O-ring	(844170)
37	(844171)	1	• Fitting	
38	947620	2	• • Gasket	
39	(845737)	1	• Screw	Repl by 844171
40	845738	6	• Washer	
41	(838442)	6	• Delivery valve	(838337)
42	(243559)	6	• Spring	
43	(243560)	6	• Gasket	
44	(244688)	6	• Nipple	
45		1	•	
46	(844175)	1	• Cover plate	
47	(6638096)	2	• Screw	
48	(243506)	1	• Turn signal	
49	941904	1	• Spring washer	
50	(956057)	1	• Cross recessed screw	
51		1	•	
52	(844175)	1	• Cover plate	
53	956092	2	• Cross recessed screw	

REF	PART NO.	QTY	DESCRIPTION	NOTES
98	(844235)	1	• O-ring	
99	(25703)	1	• Washer	
100	(838343)	1	• Nut	
101	(838350)	4	• Screw	
102	844237	1	• Hollow screw	
103	(838404)	1	• Spring ring	
104	(844293)	1	• Key	
105	(25464)	1	• Key	
106	(844652)	1	• Spacer sleeve	
	844240	1	Gasket kit	

REF	PART NO.	QTY	DESCRIPTION	NOTES
1		1		
2		1	•	
3	(844144)	1	• Rotor kit	
4	(844145)	1	• Support ring	
5	956169	2	• Cross recessed screw	
6	(844146)	1	• Washer	
7	(844147)	1	• Gear	
8	(844148)	1	• Axle shaft	
9	(844651)	1	• Tensioning pin	(844149)
10	844150	2	• Absorber	
11	(844151)	1	• Rotor	
12	(844152)	1	• Washer	
13	(244691)	1	• Spring	(844153)
14	(844154)	1	• Companion disc	
15	(243531)	X	• Adjusting washer	TH=1,80mm
	(243534)	X	• Adjusting washer	TH=1,95mm
	(845726)	X	• Shim	TH=2,00mm
	(844155)	X	• Adjusting washer	TH=2,12mm
	(844156)	X	• Adjusting washer	TH=2,20mm
	(845729)	X	• Shim	TH=2,32mm
	(845730)	X	• Shim	TH=2,40mm (243543)
	(243545)	X	• Adjusting washer	TH=2,50mm
	(844158)	X	• Adjusting washer	TH=2,52mm
	(844159)	X	• Adjusting washer	TH=2,60mm
	(844160)	X	• Adjusting washer	TH=2,72mm
	(844161)	X	• Adjusting washer	TH=2,80mm
16	(243527)	1	• Gasket	
17	(243530)	1	• Gasket	
18	(844162)	1	• Washer	
19	(844163)	1	• Spring disc	
20	844164	1	• Spring kit	
21	(844165)	2	• Washer	
22	(844166)	2	• Pin	
23	(844167)	1	• Spring	
24	(243555)	1	• Sealing ring	(844168)
25	(838414)	1	• Housing	(844169)
26	(838402)	1	• O-ring	(844170)
27	(844171)	1	• Fitting	
28	947620	1	• • Gasket	(233321)
29	(845737)	1	• • Screw	Repl by 844171
30	(244931)	4	• Hex. socket screw	(844173)
31	845738	6	• Washer	(243562)
32	(858098)	6	• Delivery valve	(243561)
33	(243559)	6	• Spring	
34	(243560)	6	• Gasket	
35	(244688)	6	• Nipple	(243558)
36	(243506)	1	• Turn signal	
37	(956057)	1	• Cross recessed screw	
38	941904	1	• Spring washer	
39	(844176)	1	• O-ring	
40	(844175)	2	• Cover plate	
41	(838335)	2	• Screw	
42	(844176)	2	• O-ring	
43	(6638096)	4	• Screw	
44	(838345)	2	• Screw	
45	957171	2	• Gasket	(6601761)
46	(844178)	1	• Sealing ring	
47	940280	1	• Spring washer	
48	955784	1	• Hexagon nut	
49	243520	1	• Sealing ring	
50	243521	1	• Sealing ring	
51	844179	1	• Valve	
52	(844180)	1	• Piston	

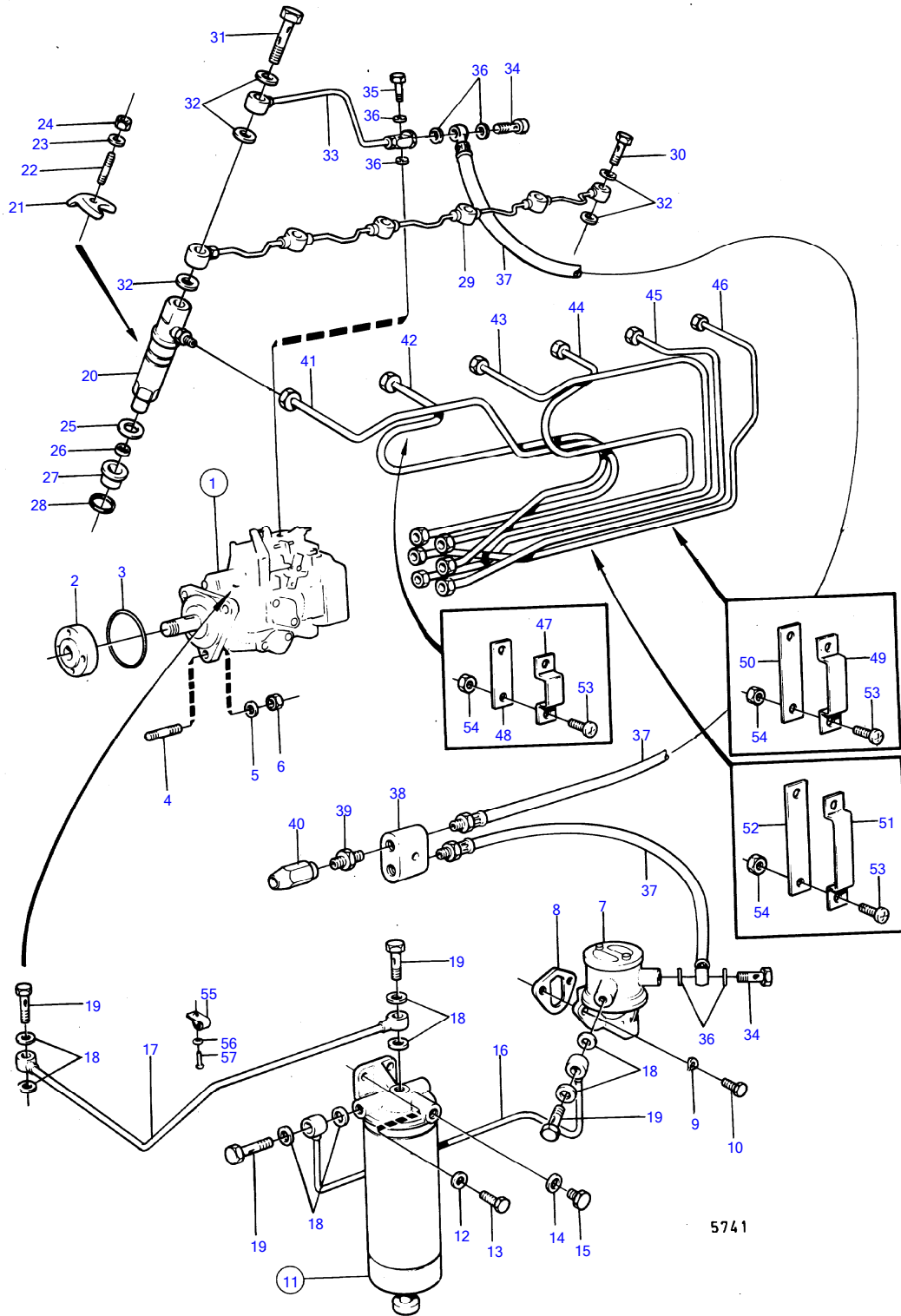
REF	PART NO.	QTY	DESCRIPTION	NOTES
	(844193)	1	• Pin	L=7,60mm
	(844194)	1	• Pin	L=7,80mm
	(844195)	1	• Pin	L=8,00mm
	(844196)	1	• Pin	L=8,20mm
	(844197)	1	• Pin	L=8,40mm
	(844198)	1	• Pin	L=8,60mm
	(844199)	1	• Shim	L=8,80mm
	(844200)	1	• Plug	L=9,00mm
	(844201)	1	• Pin	L=9,20mm
	(844202)	1	• Pin	L=9,40mm
	(844203)	1	• Pin	L=9,60mm
	(844204)	1	• Pin	L=9,80mm
	(844205)	1	• Plug	L=10,00mm
	(844206)	1	• Pin	L=10,20mm
	(844207)	1	• Pin	L=10,40mm
114	(844188)	1	• Lever	
115	(844189)	1	• Screw kit	
116	(844190)	1	• Tension spring	
117	(845784)	1	• Nut	
118	(838345)	2	• Screw	
119		2	•	
	844240	1	Gasket kit	

REF	PART NO.	QTY	DESCRIPTION	NOTES
53	(844181)	1	• Roller	
54	(844182)	1	• Piston pin kit	
55	(244425)	2	• Adjusting washer	
56	(844184)	1	• Spring	
57	(844185)	1	• Flange	
58	844186	1	• Spring	
59		1	• Magnet	
60	940090	1	• Washer	
61	963104	1	• Lock nut	
62	844368	1	• O-ring	(844363)
63	(844188)	1	• Lever	
64	(844189)	1	• Screw kit	
65	(844190)	1	• Tension spring	
66	(844191)	1	• Pin	L=7,2mm alt
	(844192)	1	• Pin	L=7,4mm alt
	(844193)	1	• Pin	L=7,6mm alt
	(844194)	1	• Pin	L=7,8mm alt
	(844195)	1	• Pin	L=8,0mm alt
	(844196)	1	• Pin	L=8,2mm alt
	(844197)	1	• Pin	L=8,4mm alt
	(844198)	1	• Pin	L=8,6mm alt
	(844199)	1	• Shim	L=8,8mm alt
	(844200)	1	• Plug	L=9,0mm alt
	(844201)	1	• Pin	L=9,2mm alt
	(844202)	1	• Pin	L=9,4mm alt
	(844203)	1	• Pin	L=9,6mm alt
	(844204)	1	• Pin	L=9,8mm alt
	(844205)	1	• Plug	L=10,0mm alt
	(844206)	1	• Pin	L=10,2mm alt
	(844207)	1	• Pin	L=10,4mm alt
	(844208)	1	• Pin	L=10,6mm alt
67	(844209)	1	• Pin	
68	(844210)	1	• Sleeve	
69	(844211)	1	• Spacer washer	
70	(844212)	1	• Weight kit	
71	(844213)	1	• Control knob	
72	(844214)	1	• Washer	
73	(844215)	1	• Washer	
74	(844216)	1	• Shaft	
75	243786	1	• O-ring	
76	(844217)	1	• Nut	
77	(844218)	1	• Cover	
78	(844219)	1	• Shaft	
79	243567	1	• Sealing ring	
80	(844220)	2	• Washer	
81	(844221)	1	• Intermediate lever	
82	941906	2	• Spring washer	
83	955781	1	• Hexagon nut	
84	(844222)	1	• Shaft	
85	(844223)	1	• Spring	
86	844224	1	• O-ring	
87	(844225)	1	• Washer	
88	(844226)	1	• Intermediate lever	
89	955781	4	• Hexagon nut	
90	(844227)	1	• Stud	
91	(844228)	1	• Stud	
92	(844229)	1	• Stud	
93	(844230)	1	• Spring	
94	(844231)	1	• Lever	
95	845785	1	• Gasket	(844232)
96		1	•	
97	(1257677)	1	• Screw	L=26mm
	(1257679)	1	• Screw	L=28mm

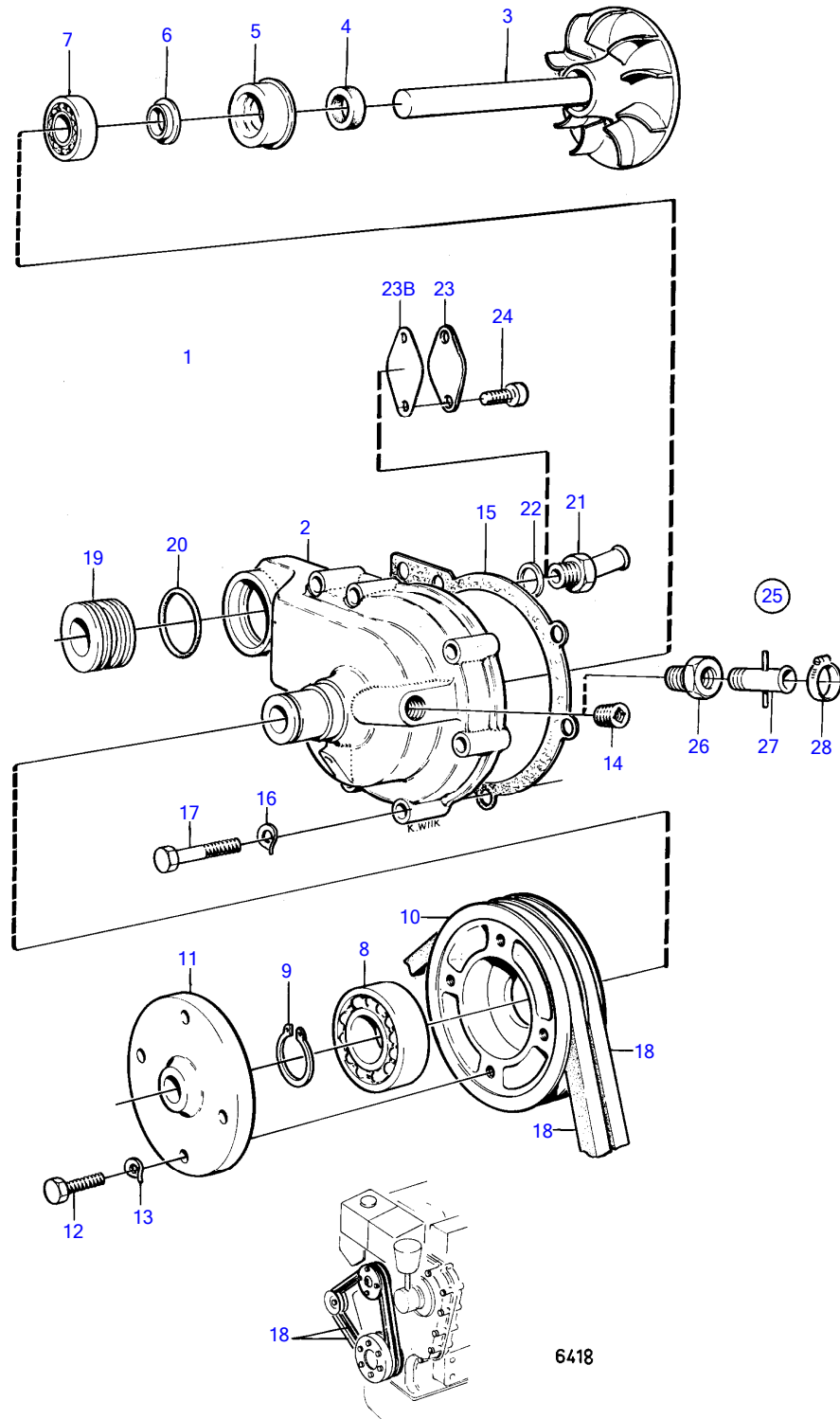
AQD40A

REF	PART NO.	QTY	DESCRIPTION	SEE SEC.	NOTES
51	1542371	1	Clamp		
52	(1542372)	1	Clamp		
53	956092	5	Cross recessed screw		
54	955781	5	Hexagon nut		
55	942400	1	Clamp		
56	941908	1	Spring washer		
57	955314	1	Hexagon screw		
58	(844788)	1	Tube		MO6101-6275
59	74033	2	Hollow screw		MO6101-6275
60	957171	4	Gasket		MO6101-6275
61	(424288)	1	Angle bracket		MO6101-6275
62	121563	1	Clamp		MO6101-6275
63	(950020)	1	Cross recessed screw		MO6101-6275
64	941905	2	Spring washer		MO6101-6275

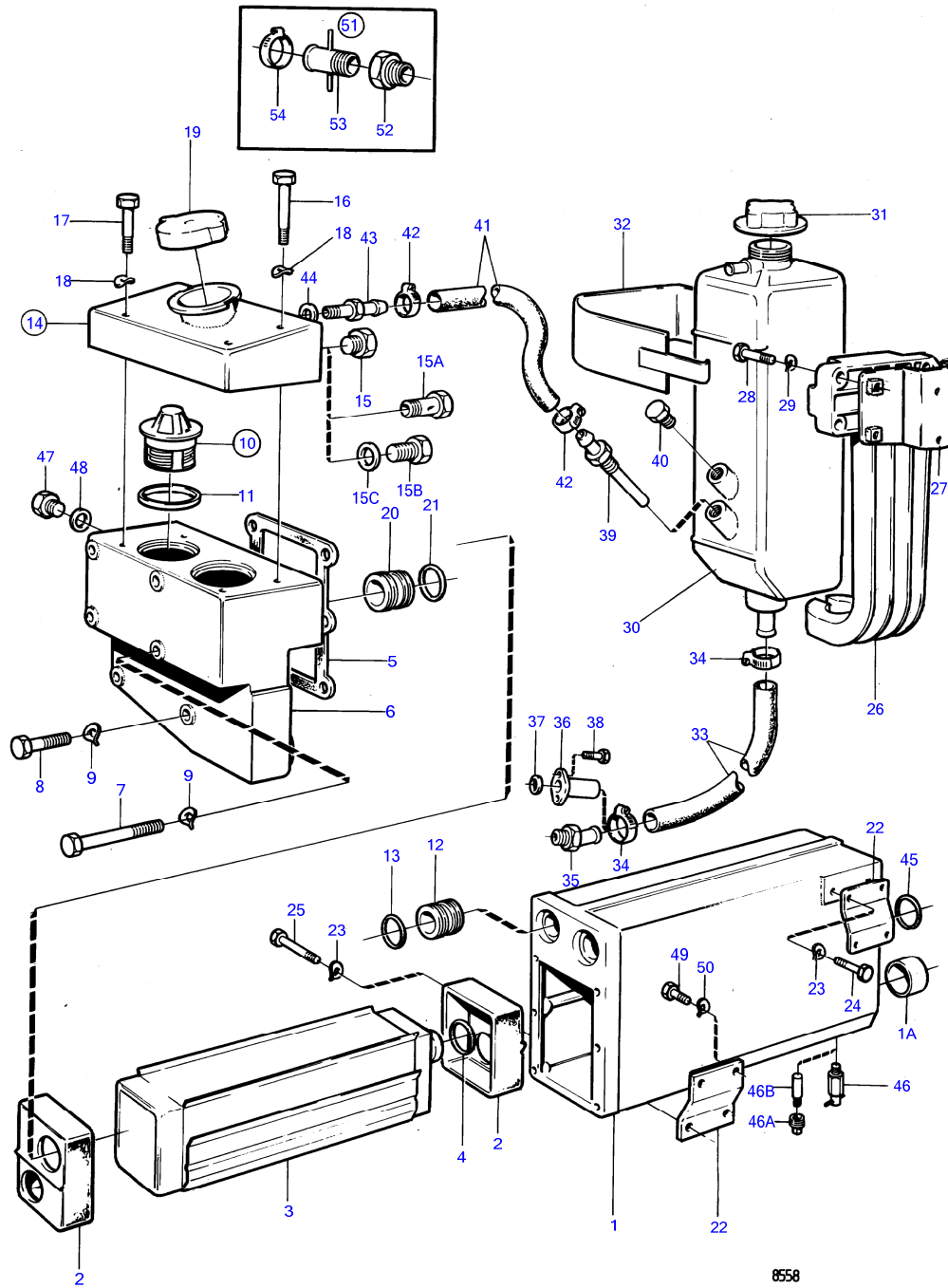
AQAD40A, TAMD40A



TMD40B, TMD40C

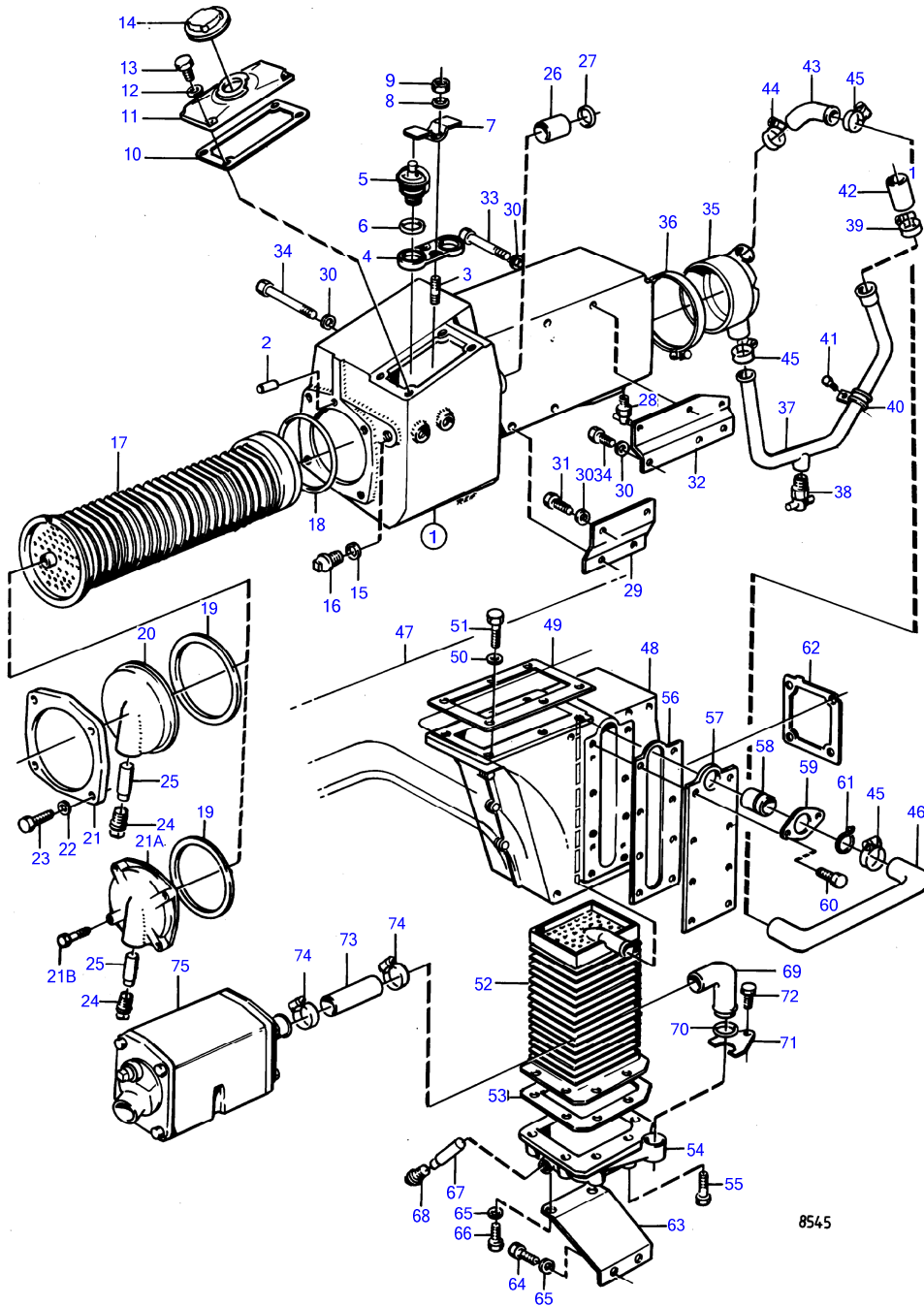


TMD40A



8558

AQAD40A



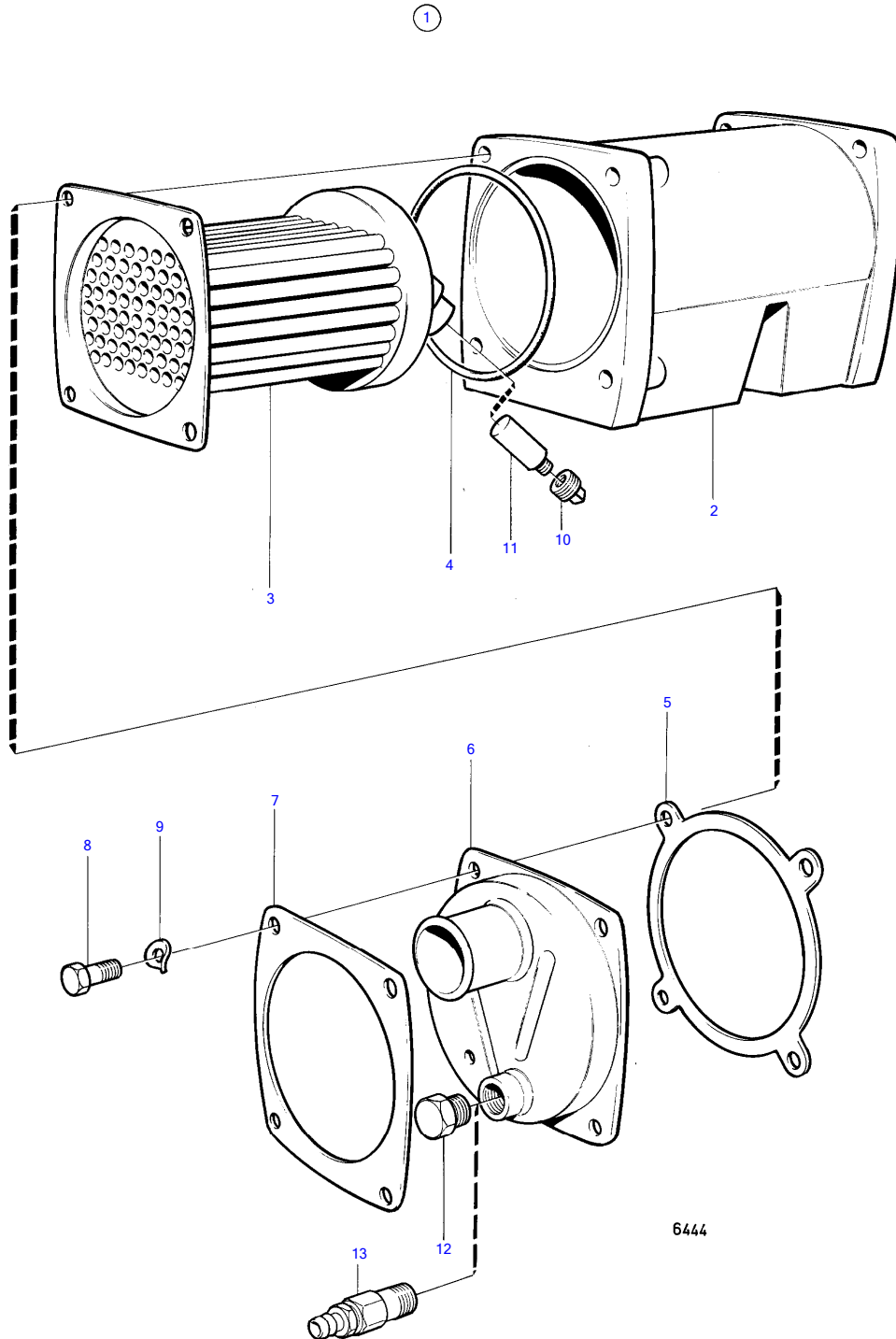
AQAD40B

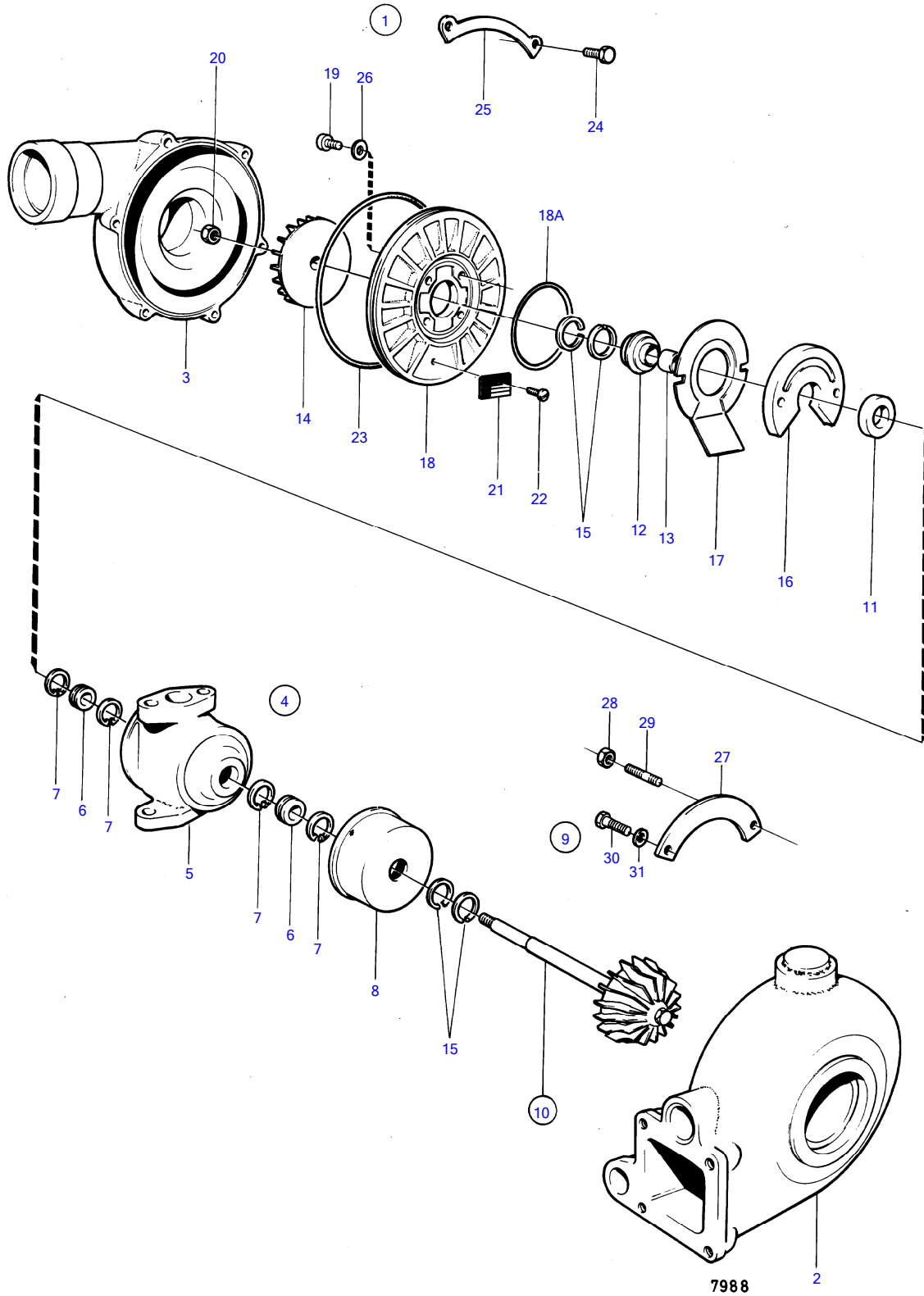
REF	PART NO.	QTY	DESCRIPTION	SEE SEC.	NOTES
1	844936	1	Heat exchanger housi		Replaced by housing 838429+zinc electrode 838929. 804107., MO-37124
	(838429)	1	Heat exchanger housi		
2	951940	1	• Spring pin		
3	924060	2	• Stud		
4	845285	1	Retainer		
5	875788	1	Thermostat kit		70C
	875787	1	Thermostat kit		AQAD40A spec 867562 MO 21734-., 76C
6	416033	2	Sealing ring		
7	(845852)	1	Shield		
8	941670	2	Washer		
9	946330	2	Hexagon nut		
10	845291	2	Gasket		Late type
11	845284	1	Cap		
12	941907	4	Spring washer		
13	955295	4	Hexagon screw		
14	845879	1	Pressure cap		
15	957184	2	Gasket		
16	(944507)	2	Plug		
17	845198	1	Insert		Repl by 838590
	838590	1	Heat exchanger eleme		Repl by 858833
	858833	1	Insert		
18	925096	1	O-ring		
19	845301	1	Gasket		
20	845286	1	End cover		End cover-845286 and flange-845300 are replaced by endcover-846420., MO-29567
21	845300	1	Clamp flange		End cover-845286 and flange-845300 are replaced by endcover-846420., MO-29567
21A	846240	1	End cover		MO29568-
21B	940132	4	Hexagon screw		
22	941907	4	Spring washer		MO-29567
23	955297	4	Hexagon screw		MO-29567
	940132	4	Hexagon screw		MO 29568-, L=35mm
24	838928	1	Plug		(800475)
25	838929	1	Anode		(804107)
26	842965	2	Pipe	54153380	
				54153380	
27	925067	4	O-ring		
28	947893	1	Shut-off cock		
29	(845137)	1	Bracket		
30	941908	5	Spring washer		
31	955317	2	Hexagon screw		
32	(845138)	1	Bracket		
33	955333	3	Hexagon screw		Early type
34	955334	5	Hexagon screw		
35	845373	1	End plate		
36	961678	2	Hose clamp		
37	(858038)	1	Coolant pipe		Excl AQAD40B/290,290DP
	(858037)	1	Coolant pipe		AQAD40B/290,290DP
38	947893	1	Shut-off cock		
40	952641	2	Clamp		
41	955268	2	Hexagon screw		
42	858471	X	Hose		(952976) L=70mm
43	(845374)	1	Tube		
44	961669	1	Hose clamp		
45	961670	2	Hose clamp		
46	845359	1	Hose		
47		1		54153360	
48	(845582)	1	Housing		
49	844084	1	Gasket		
50	941907	6	Spring washer		
51	955304	4	Hexagon screw		L=70mm
	955303	2	Hexagon screw		L=65mm

7744060-26-54153378

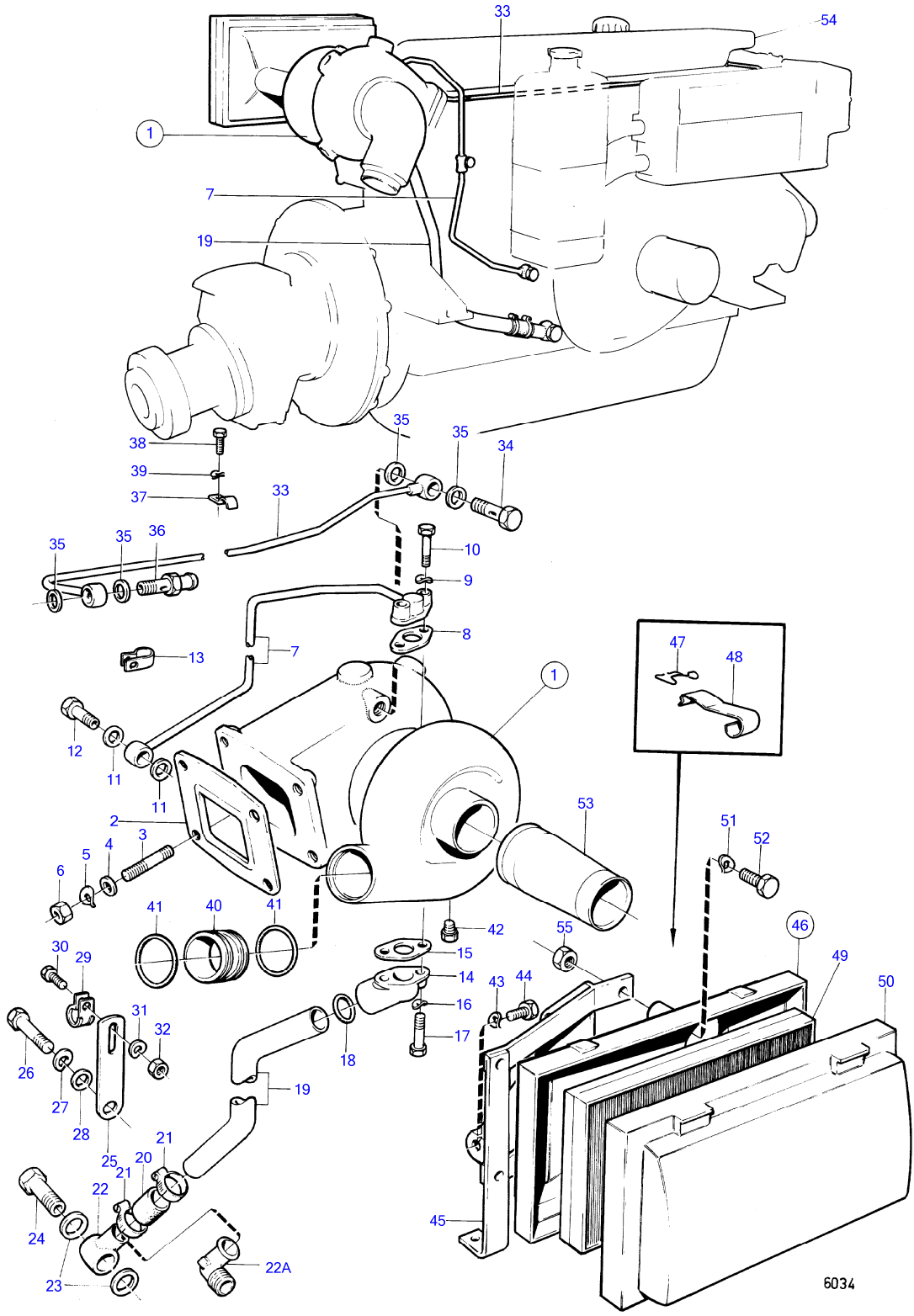
46125

Upd:7/25/2022





AQD40A, TMD40A



REF	PART NO.	QTY	DESCRIPTION	NOTES
1	834625	1	Alternator	14V 35A
2	(831845)	1	• Cover	
3	(181601)	1	• • Ball bearing	
4	(465033)	1	• • Guide	
5	(6211438)	1	• • Screw kit	
6		1	•	
7	(181797)	1	• Ball bearing	
8	(831847)	1	• Alternator housing	
9	(831848)	1	• • Protecting cover	
10	(841575)	1	• Diode kit	For charging of 2 batteries use charge distributor 831793
11	(831851)	1	• • Screw kit	
12	(831854)	1	• Cover	
13		1	•	Early type of fan, made of pressed plate, replaced by 1ea 831855, 1ea 831857.
14	(834835)	1	• Pulley	
15	(834644)	1	• Mounting kit	For alternator with plate fan.
16	(841688)	1	• Governor	
17	(955243)	2	• Hexagon screw	
18	941905	2	• Spring washer	
19	829311	2	• Terminal	

AQAD40A, AQAD40B, AQD40A, MD40A, TAMD40A, TAMD40B, TMD40A, TMD40B, TMD40C

REF	PART NO.	QTY	DESCRIPTION	SEE SEC.	NOTES
1				54153418	
				54153418	
				54153418	
	834625	1	Alternator	54153418	
			.	54153418	
		1		54153418	MO-12769 repl by 841378
			.	54153418	
	841378	1	Alternator	54153418	Replaced by 841768., MO12770-21869
			.	54153418	
	841768	1	Alternator	54153418	Replaced by alternator 841765 +pulley 841812 + tension iron 845021., MO21870-25724
			.	54153418	
	841765	1	Alternator	54153418	MO25725-
			.	54153418	
	858838	1	Alternator	54153418	
			.	54153418	
	845940	1	Alternator	54153418	Spec 867948., 24V
			.	54153418	
	849563	1	Alternator	54153418	
			.	54153418	
2	842611	1	Alternator bracket		
	858079	1	Bracket		For alternator 845940.
3	841812	1	Pulley		
4	955700	1	Hexagon screw		
	955554	1	Hexagon screw		For alternator 845940.
5	941907	3	Spring washer		
6	955307	3	Hexagon screw		L=100mm, see group 2A
	965182	2	Flange screw		For alternator 845940., L=80mm
	100222	1	Hexagon screw		For alternator 845940., L=85mm
	965179	1	Flange screw		For alternator 845940., L=50mm
7	807186	1	Tensioner		
	845021	1	Tensioner		MO25725-
8	955298	1	Hexagon screw		
9	466735	1	Tensioner		
10	191172	1	Washer		
11	963106	1	Lock nut		
12	955306	1	Hexagon screw		
13	941907	1	Spring washer		See group 2A
14	842350	1	Spacer sleeve		Not for alternator 845940
15	958359	1	V-belt		L=2X1100mm

TMD40A, TMD40B, TMD40C

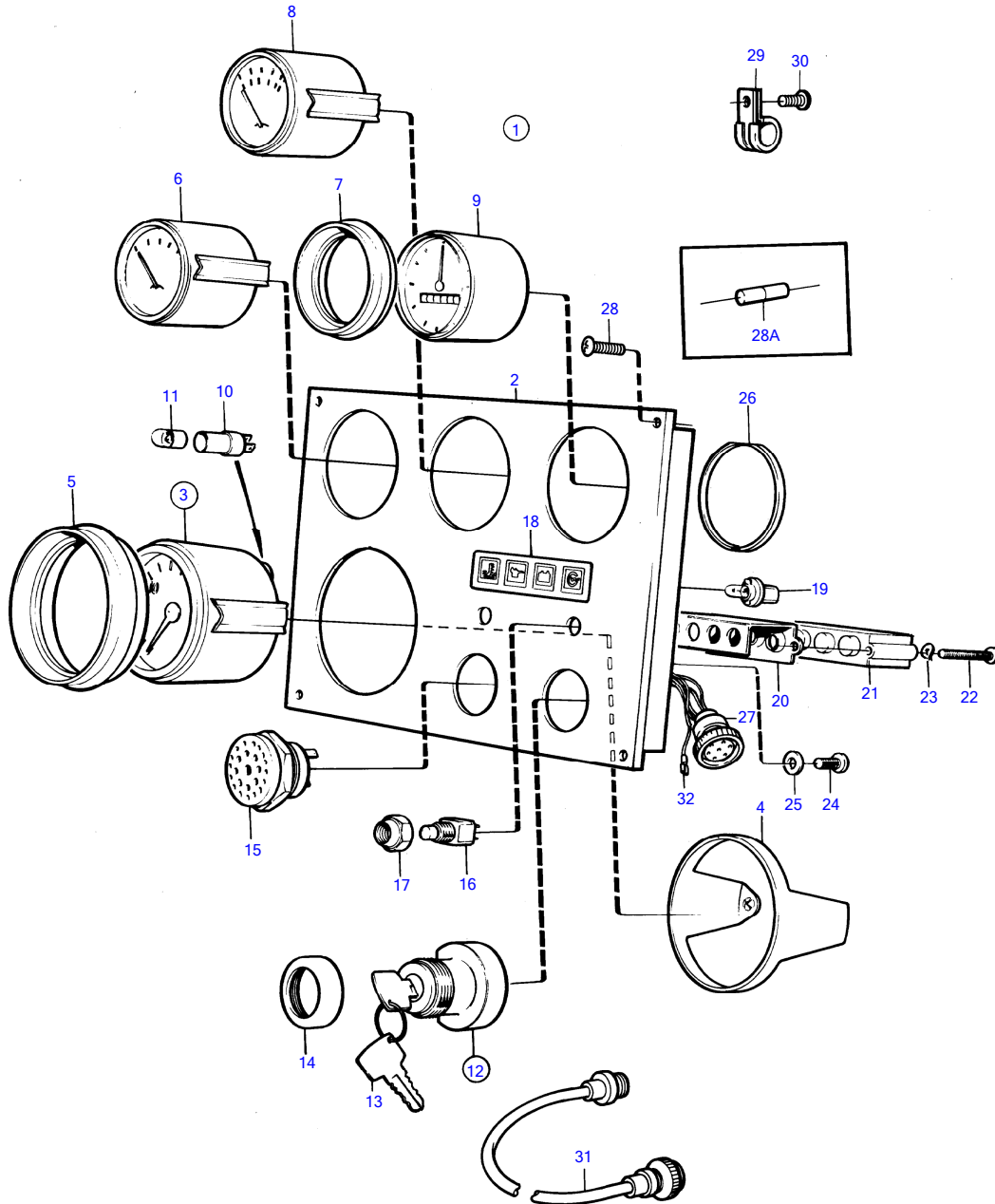
REF	PART NO.	QTY	DESCRIPTION	SEE SEC.	NOTES
1	829527	1	Starter motor	54153420	
			.	54153420	
	(838987)		Starter motor	54153420	24V
			.	54153420	
2	853573	1	Hexagon nut		
3	853572	1	Protective cap		
4	953067	3	Stud		
5	941908	3	Spring washer		
6	955783	3	Hexagon nut		
7	834625		Alternator	54153409	MO-1900 repl by 834964
				54153409	
		1		54153409	MO-12769 repl by 841378
				54153409	
	841378	1	Alternator	54153409	Replaced by 841768., MO12770-21869
				54153409	
	841768	1	Alternator	54153409	Replaced by alternator 841765 +pulley 841812 + tension iron 845021., MO21870-25724
				54153409	
	841765	1	Alternator	54153409	MO25725-, repl by 858838
				54153409	
	858838	1	Alternator	54153409	
				54153409	
	845940	1	Alternator	54153409	24V, repl by 849563
				54153409	
	849563	1	Alternator	54153409	
				54153409	
8	(843140)	1	Clutch housing		
9	941907	4	Spring washer		See group 2B
10	955305	4	Hexagon screw		See group 2B
11	(94026)	2	Rubber bushing		
12	843145	2	Relay		Replaced by 1ea relay-838518,2ea cable terminal-881485 and 1ea insulator-958210.
	838518	2	Relay		
13	(955140)	4	Cross recessed screw		
14	940090	6	Washer		
15	841178	1	Automatic fuse		(835596)
16	950013	2	Cross recessed screw		
17	(842915)	1	Cap		
18	955138	2	Cross recessed screw		
19	(1542408)	6	Protective cap		
	1542411	6	Glow plug		(1542319)
20	941905	6	Spring washer		
21	955780	6	Hexagon nut		
22	(1542296)	1	Rail		
23	925059	1	O-ring		
24	1502028	1	Engine speed sensor		(829571)
25	942490	1	T-nipple		
26	843231	1	Oil pressure sensor		
	834920	1	Oil pressure sensor		For TMD40A spec 867478, AQD40A spec 867479.
27	848367	1	Pressure switch		(843812)
28	827151	1	Temperature sensor		
	834629	1	Temperature sensor		For TMD40A spec 867478, AQD40A spec 867479.
	(858595)	1	Temperature sensor		For dual station., Combined temperature sensor and guard. MO38777-
	858596	1	Temperature sensor		For dual station., Combined temperature sensor and guard., 24V MO38777-
29					
30	833927	1	Thermo monitor		
	822858	1	Thermo monitor		Spec 867948.
31	840345	1	Temperature sensor		Alternative for temp.sender 827151 and thermoswitch control 833927.
32	957181	3	Gasket		
33	(844828)	1	Nipple		For TMD40A spec 867478, AQD40A spec 867479.
34		X			
35	941908	1	Spring washer		MO-26461

7744060-30-54153427

46156

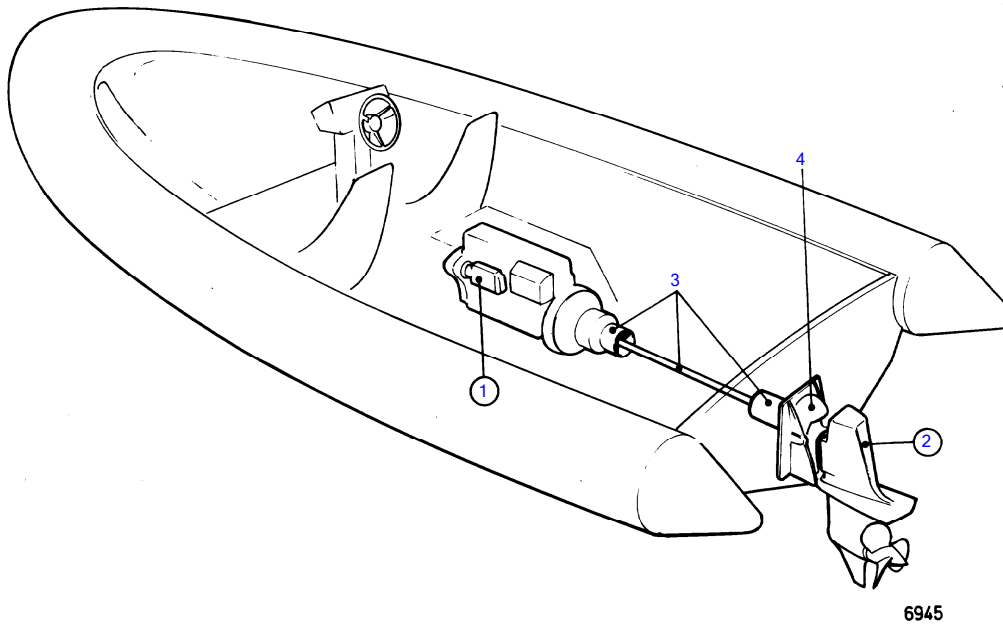
Upd:7/25/2022

AD40B, AQAD40A, AQAD40B, AQD40A, MD40A, TAMD40A, TAMD40B, TMD40A, TMD40B, TMD40C



7699

AQAD40B



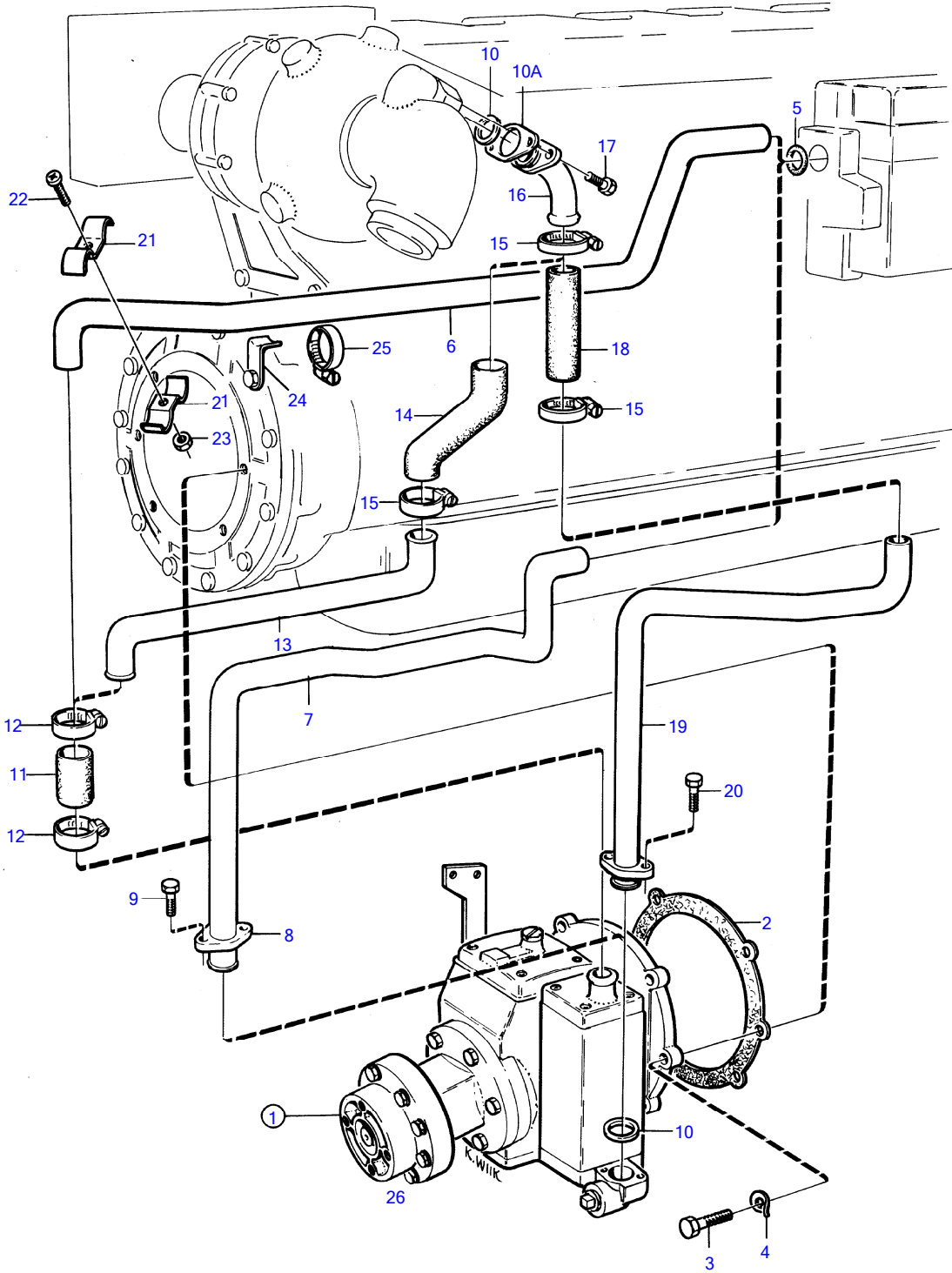
AQAD40B

REF	PART NO.	QTY	DESCRIPTION	SEE SEC.	NOTES
1	(875674)	1	Shield		
2	839441	1	• Steering yoke		
3	914169	1	• • Lubricating nipple		
4	839195	1	• • Ring		
5	814640	2	• • Bushing		
6	941872	2	• Stud		
7	897798	2	• Shoulder screw		
8	897244	2	• Washer		
9	943152	2	• Nut		
10	853863	1	• Bushing		(853496)
11	853864	1	• Bushing		(853497)
12	850653	1	• Bushing		See group 6
13	(851267)	1	• Protective helmet		
14	853048	1	• • Bushing		(851262)
15	832608	1	• Plate		
16	804269	2	• Drive screw		
17	(897744)	1	• Plug		
18	897745	1	• Gasket		
19	852705	1	Pivot pin		(851263)
20	941807	2	Hex. socket screw		
21	959967	4	Hexagon screw		
22	925256	1	O-ring		
23	(842962)	1	Exhaust grommet		
24	925055	4	O-ring		
25	843228	1	Exhaust hose		See group 2B
26	943483	2	Hose clamp		See group 2B
27	875848	1	Bellows kit		
		1	•		
		9	• •		
28	961675	2	• Hose clamp		
29	(897726)	1	Sealing strip		
30	943426	6	Screw		
31	850418	6	O-ring		
32	190878	6	Washer		
33	940176	6	Hexagon nut		
34	(850917)	1	Brace		
35	832820	2	• Bushing		
36	850804	2	Pivot pin		
37	850904	2	Screw		
38	850921	1	Hydraulic cylinder		S.B
	850939	1	Hydraulic cylinder		P
39	850805	2	Pin		
40	(851073)	8	Split pin		
41	943194	8	Washer		
42	850806	2	Pin		
43	850807	1	Adjusting pin		
44	814357	2	Flange nut		
45	832598	1	Zinc anode		For use in saltwater
	873179		Magnesium anode		For use in freshwater
46	959438	2	Hex. socket screw		
47	843626	1	Mounting kit		
48	813967	2	• Rubber ring		
49	191844	6	• Hexagon screw		
50	806624	3	• Striker plate		
51	844519	1	Flywheel housing		
52	941909	11	Spring washer		
53	955319	11	Hexagon screw		
54	804262	1	Plug		
55	(829488)	1	Gasket		
56	839425	1	Spindle		
57	958860	1	Sealing ring		
58	11013	1	Ball bearing		
59	914533	3	Snap ring		

AQAD40A, AQAD40B, AQD40A

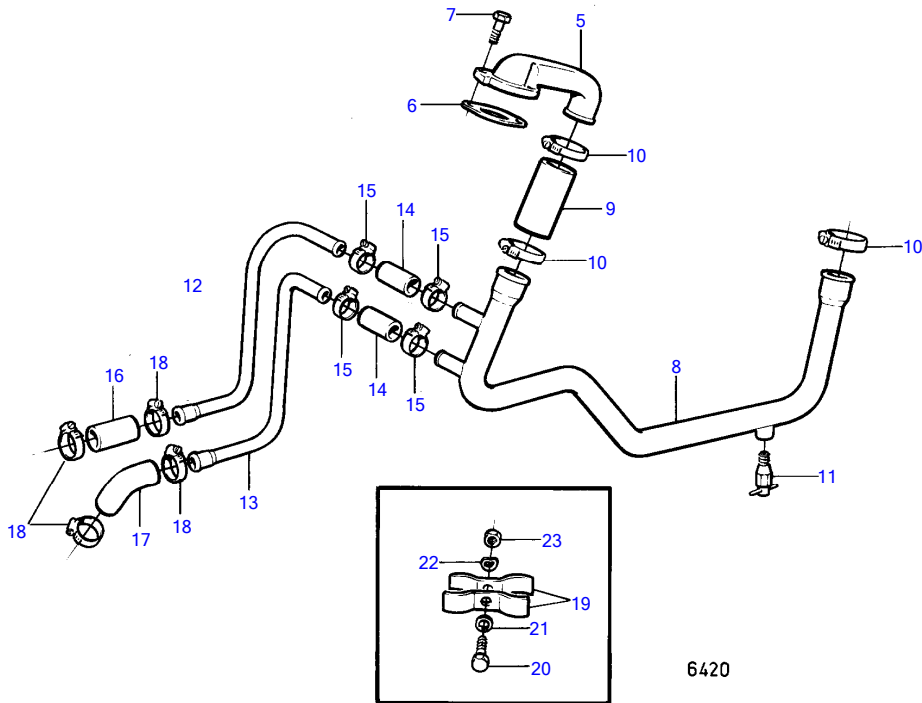
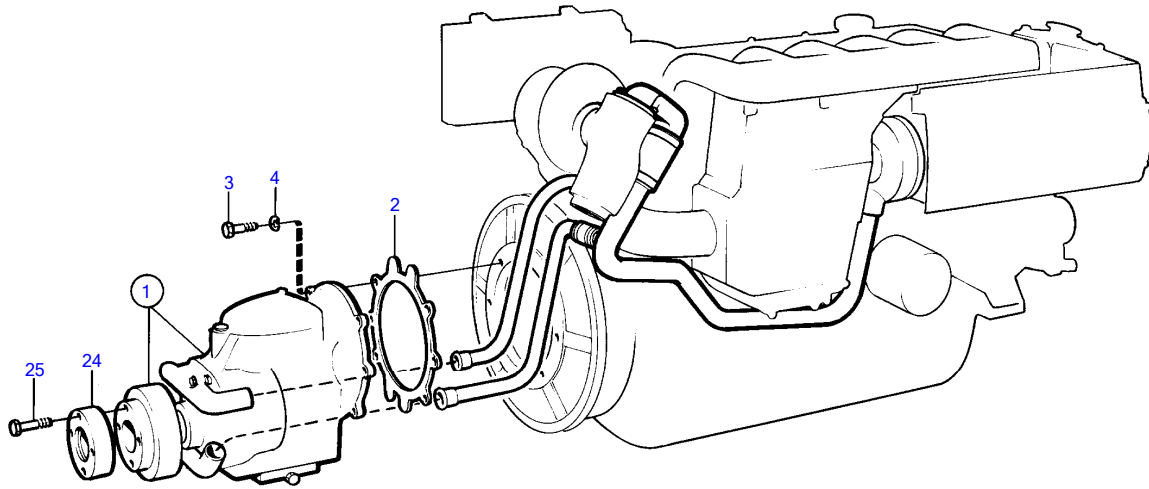
REF	PART NO.	QTY	DESCRIPTION	SEE SEC.
61	958860	1	Sealing ring	
62	181105	1	Ball bearing	
63	875531	1	Rubber cushion	
64	832565	2	• Gasket	
65	940097	2	• Washer	
66	950364	2	• Lock nut	
67	832846	1	Hose connection	
68	853548	2	Hose clamp	
69	875822	1	Hose kit	
		1	•	
	853548	2	• Hose clamp	
70	925063	1	O-ring	
71	955893	2	Washer	
72	950352	2	Lock nut	
73	850729	1	Water inlet	
74	994561	2	Hose clamp	
75	941799	X	Hose	
76	843235	1	Exhaust pipe	
77	839091	1	Protecting hose	
78	897745	1	Gasket	
79		X		
80	952635	1	Clamp	
81	(850488)	1	Steering arm	
82	955537	1	Hexagon screw	
83	940097	1	Washer	
84		X		
85	(850902)	2	Spacer	
86	(851071)	2	Screw	
87	(851072)	2	Washer	
88	850418	2	O-ring	
89	(850903)	2	Tube fitting	
90	850907	2	Hose coupling	
91	850916	2	Elbow nipple	
92	851221	2	Fitting	
93	941820	2	O-ring	54153431
94	(851042)	2	Nipple	54153431
95	850906	2	Hose coupling	
96		X		54153432
			•	54153432
		X		54153432
			•	54153432
97	897824	1	Transport lock	
98	(851307)	1	Flange	
99	851308	1	Gasket	
100	955894	2	Washer	
101	955525	1	Hexagon screw	
	940159	1	Hexagon screw	
102	830449	1	Seal	
103	(852695)	1	Sensor	
104	(851397)	1	Retainer	

TMD40A

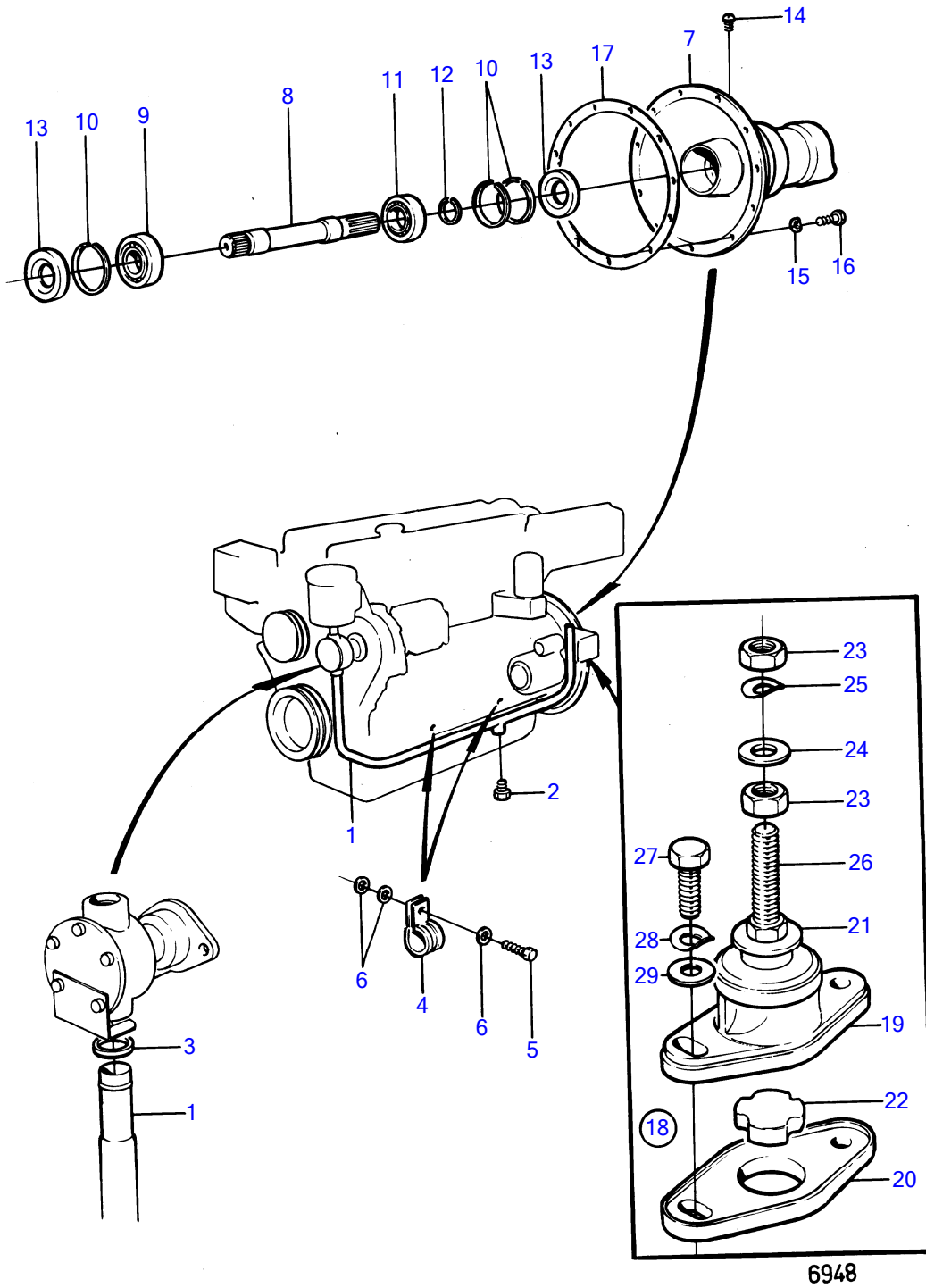


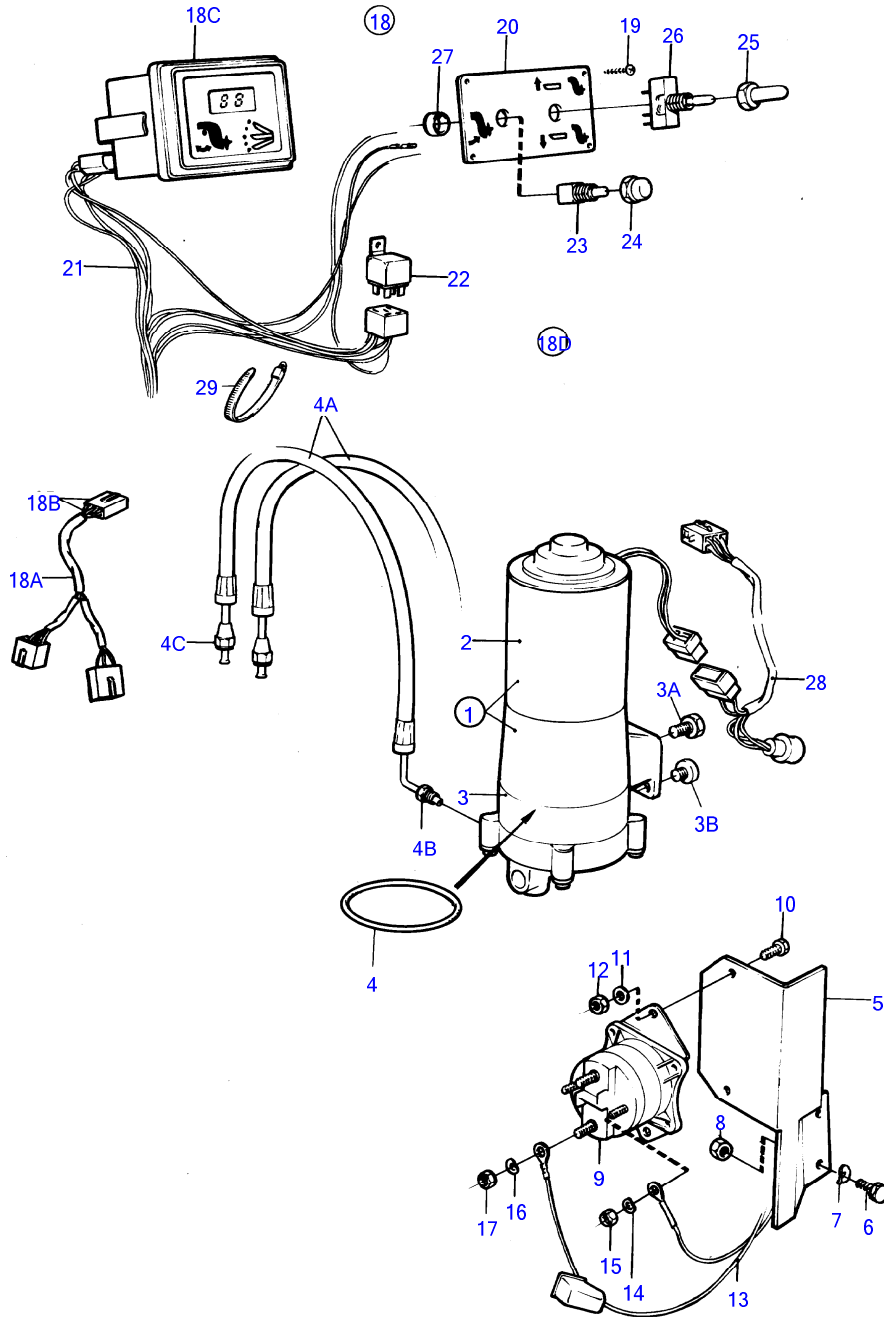
5980

TMD40B, TMD40C



AQAD40B





8271

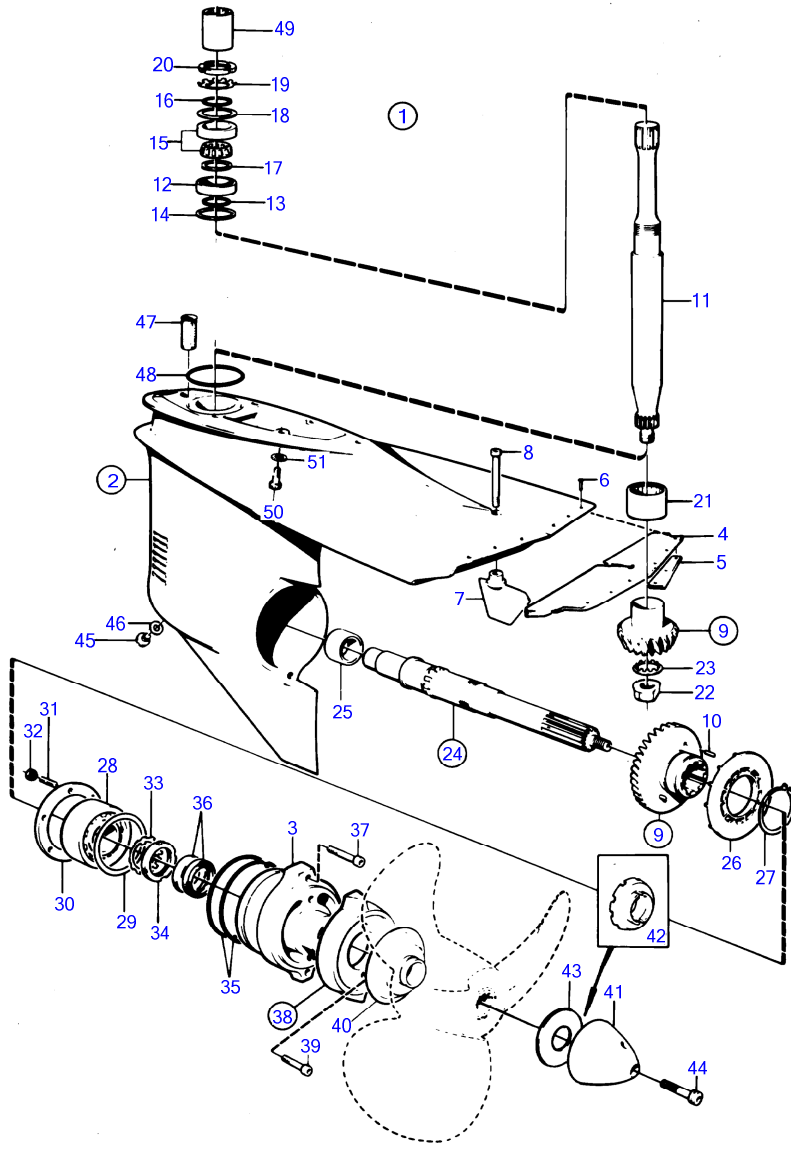
CLICK HERE TO **DOWNLOAD** THE COMPLETE MANUAL

- Thank you very much for reading the preview of the manual.
- You can download the complete manual from: www.heydownloads.com by clicking the link below



- Please note: If there is no response to CLICKING the link, please download this PDF first and then click on it.

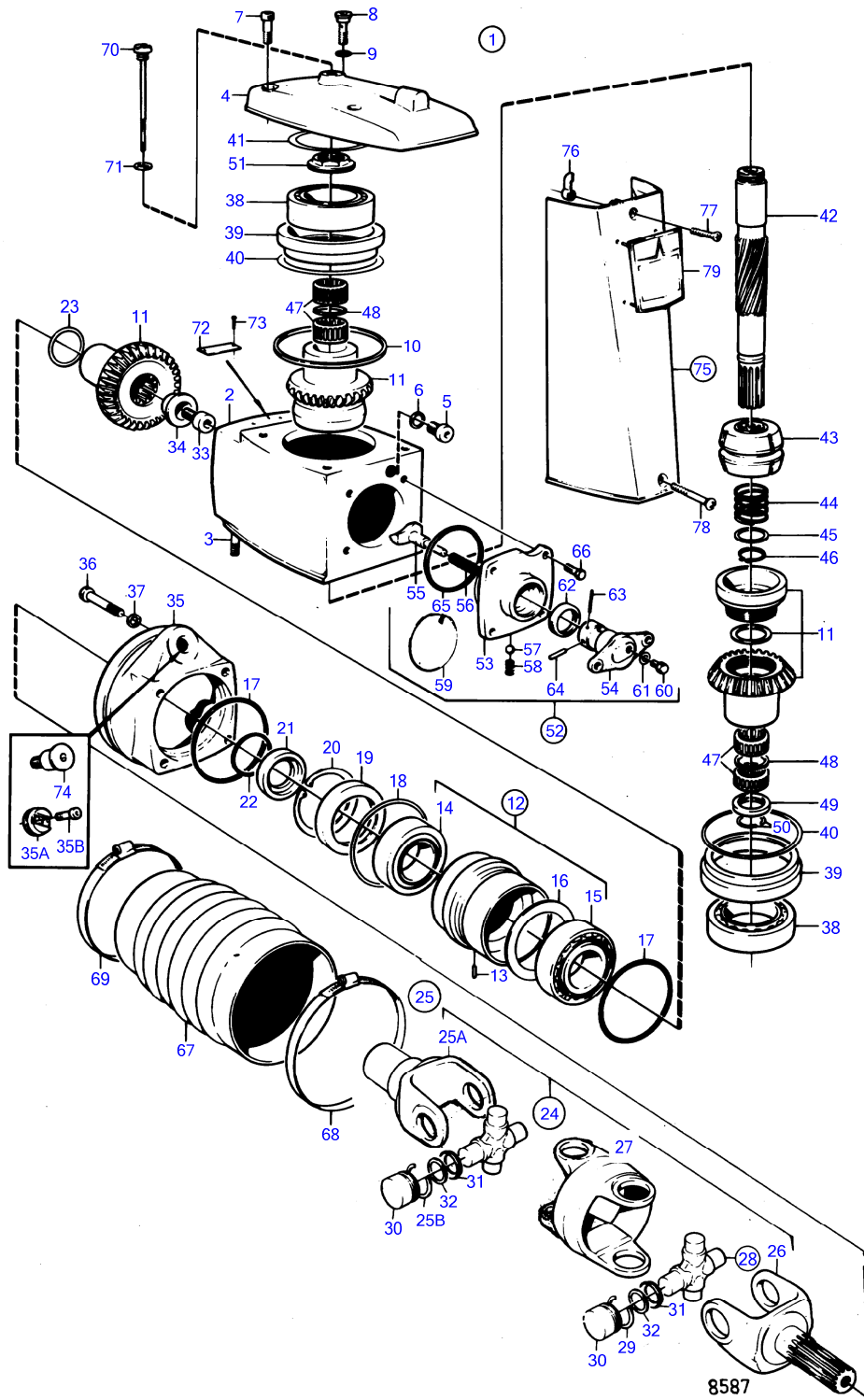
CLICK HERE TO **DOWNLOAD** THE COMPLETE MANUAL



7590

REF	PART NO.	QTY	DESCRIPTION
48	(851293)	1	• Screw
49	850275	1	• Axle shaft
50	(850276)	1	• Adapter
51	965185	6	• Flange screw
52	925096	1	• O-ring
53	(850472)	X	• Adjusting washer
	850473	X	• Adjusting washer
	(850474)	X	• Adjusting washer
54	183668	2	• Roller bearing
54A	(851114)	1	• Spacer ring
54B	84219	1	• Shim
54	84218	1	• Shim
55	(850269)	1	• Bearing housing
56	946671	1	• Flange screw
57	925256	1	• O-ring
58	(958879)	1	• Sealing ring
59	125018	1	• O-ring
60	(850270)	1	• Cover
61	955297	4	• Hexagon screw
62	925069	1	• O-ring
63	850417	X	• Slip clutch
		X	• •
64	(400870)	X	• Shim
	(400871)	X	Shim
	(949070)	X	Shim
65	850471	1	• Washer
66	947855	1	• Flange lock nut
67	839504	1	• Shift mechanism
68	839505	1	• • Bearing housing
69	897816	1	• • Eccentric piston
70	814603	1	• • Dog
71	814184	1	• • Spring
72	897711	1	• • Hexagon screw
73	897871	X	• • Shim
74	958838	1	• • Sealing ring
75	951924	1	• • Spring pin
76	942871	1	• • Clevis pin
77	925093	1	• • O-ring
78	955273	4	• Hexagon screw
79	941906	4	• Spring washer
80	(850350)	1	• Cable attachment
81	819068	1	• Washer
82	21471054	1	• Bracket
83	946577	2	• Lock nut
84	955246	2	• Hexagon screw
84A	940090	2	• Washer
85	852363	1	• Intermediate lever
86	955781	2	• Hexagon nut
87	955948	2	• Toothed washer
88	955270	2	• Hexagon screw
89	804312	1	• Cube
90	955892	1	• Washer
91	907834	1	• Split pin
92	(850741)	2	• Insert
93	(850742)	1	• End cover
94	(850833)	1	• End cover
95	942353	4	• O-ring
96	955276	6	• Hexagon screw
97	804107	1	• Zinc electrode
	838929	1	• Anode
98	800475	1	• Plug
	838928	1	• Plug
99	839351	1	• Oil dipstick

REF	PART NO.	QTY	DESCRIPTION	NOTES
	948230	X	• Shim	TH=0.35mm
46	839253	1	• Sealing ring	
47	914538	1	• Snap ring	
48	832675	1	• Washer	
49	956000	1	• O-ring	
50	(850276)	1	• Adapter	
51	925257	1	• O-ring	
52	965185	6	• Flange screw	
53	850275	1	• Axle shaft	
54	943871	X	• Shim	TH=0,05mm
	943872	X	• Shim	TH=0.1mm
	943873	X	• Shim	TH=0.2mm
55	839013	1	• Washer	
56	(851293)	1	• Screw	
57	(851678)	1	• Bearing housing	
58	946671	6	• Flange screw	
59	(851496)	X	• Adjusting washer	TH=0.1mm
	(851495)	X	• Adjusting washer	TH=0.15mm
	(851494)	X	• Adjusting washer	TH=0.35mm
60	925267	1	• O-ring	
61	183328	1	• Cup	
62	183327	1	• Inner ring	
63	852696	1	• Pretensioning sleeve	
64	852184	X	• Shim	TH=0,05mm
65	183668	1	• Roller bearing	
66	925063	1	• O-ring	
67	853757	1	• Sealing ring	(959026)
68	944530	1	• Sealing ring	
69	853481	1	• Propeller shaft flan	(852368)
70	850471	1	• Washer	
71	947855	1	• Flange lock nut	
72	(851786)	2	• Oil cooler	
73	(852007)	1	• Connection pipe	
74	960169	4	• O-ring	
75	(851730)	1	• End plate	
75A	959207	4	• Hex. socket screw	
76	838929	2	• Anode	(804107)
77	838928	2	• Plug	(800475)
78	959207	4	• Hex. socket screw	
79	942000	2	• Hex. socket screw	
80	941906	8	• Spring washer	
81	839504	1	• Shift mechanism	
82	839505	1	• • Bearing housing	
83	814603	1	• • Dog	
84	925093	1	• • O-ring	
85	814184	1	• • Spring	
86	958838	1	• • Sealing ring	
87	897816	1	• • Eccentric piston	
88	951924	1	• • Spring pin	
89	942871	1	• • Clevis pin	
90	897711	1	• • Hexagon screw	
91	897871	X	• • Shim	TH=0.2mm
92	852363	1	• Intermediate lever	
93	955270	2	• Hexagon screw	
94	955781	2	• Hexagon nut	
95	955948	2	• Toothed washer	
96	804312	1	• Cube	
97	955892	1	• Washer	
98	907834	1	• Split pin	(17276)
99	(850350)	1	• Cable attachment	
100	955273	4	• Hexagon screw	
101	819068	1	• Washer	
102	21471054	1	• Bracket	



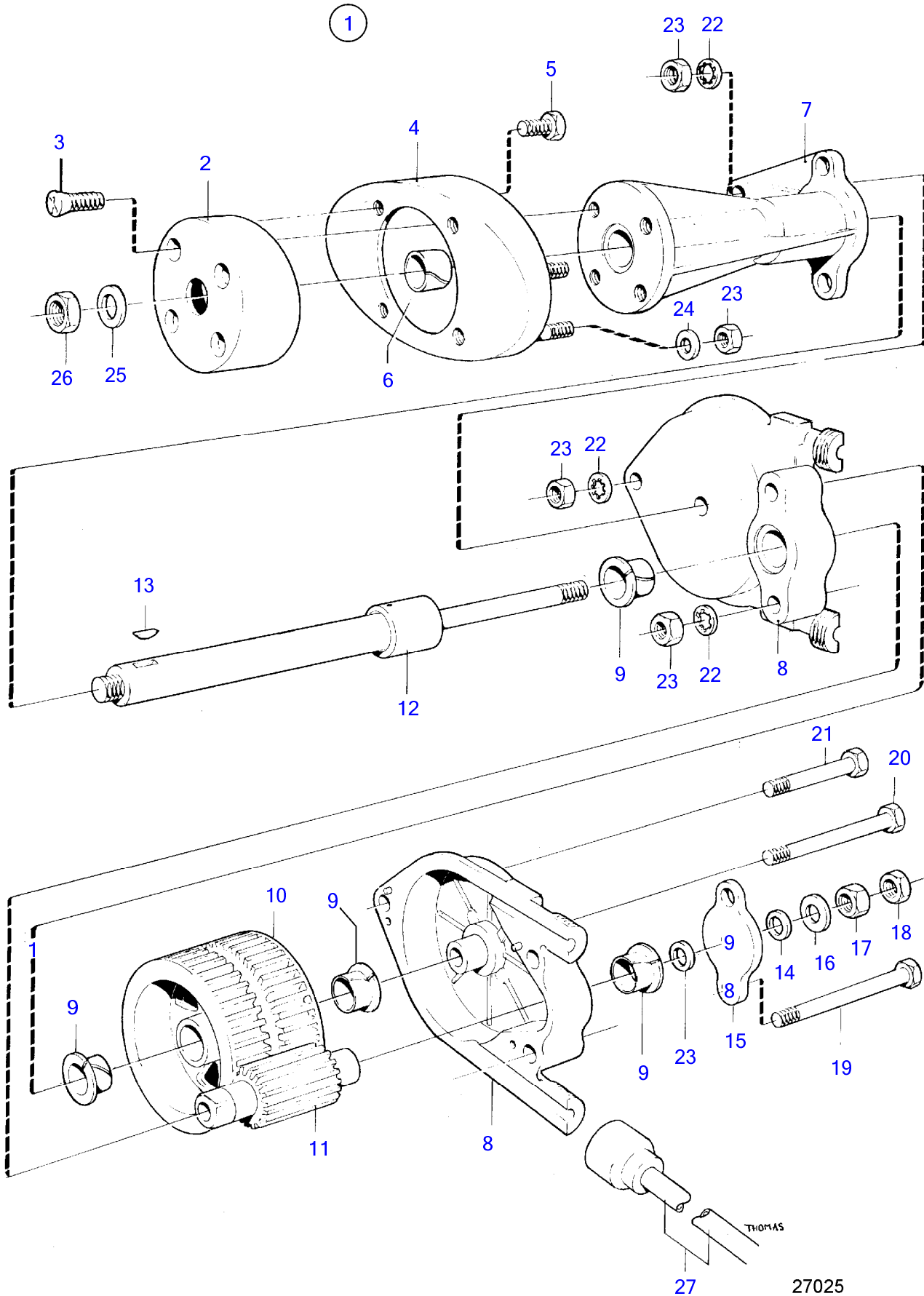
AD40B, AQAD40A, AQAD40B, AQD40A, MD40A, TAMD40A, TAMD40B, TMD40A, TMD40B, TMD40C

REF	PART NO.	QTY	DESCRIPTION	SEE SEC.	NOTES
1	(852031)	1	Drive unit		
2	(852032)	1	• Electric motor		12V
3		1	•		
4		1	•		
5		2	•		
6		1	•		
7		X		54153488	
				54153488	
8	(851743)	1	Transfer gear	54153487	
9	(853107)	1	Adapter kit		
10		1	•	54153488	
11	(853109)	1	• Shaft		
12		1		54153491	
13	825765	X	Choke control		L=3300mmalt
	825764	X	Choke control		L=6900mmalt
14	(851744)	1	Control		

AQAD40A, AQAD40B, AQD40A

REF	PART NO.	QTY	DESCRIPTION	NOTES
1	1359116	1	Power steering pump	
2		1	•	
3		1	•	
4		1	• •	
5	(1272423)	1	• • Lock ring	
5A	(1272634)	X	• Shim	TH=0,05mm
5	(1272635)	X	• Shim	TH=0.1mm
	(1272636)	X	• Shim	TH=0.2mm
	(1272637)	X	• Shim	TH=0.3mm
6		1	•	
7	1272412	1	• Seal	
8		1	•	
9		1	•	
10		1	•	
11		1	•	
12	(273905)	1	• Valve kit	
13		1	• •	
14		1	• •	
15	(1272427)	1	• Pin	
16		1	•	
17	(1329586)	1	• Plate	
18	(1329589)	1	• Lock ring	
19	1272411	1	• Sealing kit	Repl by 855735
20		1	• •	
21		1	• •	
22		2	• •	
23		2	• •	
24	(1272431)	1	• • Lock ring	
25	(1272422)	1	• Oil reservoir kit	
26		1	• •	
27		1	• •	
28		1	• •	
29	(1330839)	1	• Cover	

AD40B, AQAD40A, AQAD40B, AQD40A, MD40A, TAMD40A, TAMD40B, TMD40A, TMD40B, TMD40C



AQAD40A, AQAD40B, AQD40A

REF	PART NO.	QTY	DESCRIPTION	NOTES
35	940097	1	Washer	
36	964960	1	Split pin	
37	(828913)	1	Link stay	Only for twin installation., Adjustable between 610-1000mm
	(850776)	1	Tie rod	Only for twin installation., Adjustable between 540-800mm., Repl by 828913
38	(956511)	1	• Fork	
39	913158	1	• Clevis pin	
40	(907856)	1	• Split pin	
40A	853160	1	• Lock washer	Drive unit 290
41	940154	4	• Hexagon nut	
42	(839577)	2	• Threaded rod	
43	(839576)	1	• Tube	L=560mm
	(850775)	1	• Tube	Only included in 850776., L=360mm
44	(956511)	1	• Fork	
45	(907856)	1	• Split pin	
45A	853160	1	• Lock washer	Drive unit 290
46	913158	1	• Clevis pin	
47	(814152)	1	• Ball joint	
48	950386	1	• • Lock nut	Only included in 850673.

AQAD40A, AQAD40B, AQD40A

REF	PART NO.	QTY	DESCRIPTION	NOTES
1	(850936)	1	Steering wheel	
1A		1	• Steering wheel hub	
1B	(828943)	1	• Steering wheel pad	
1C	(850938)	1	• Emblem	
2	(851056)	1	Steering gear	
3		1	•	
4	(851057)	1	• Cover	
5	(851069)	1	• Washer	
6	940101	3	• Hexagon screw	
7	941906	3	• Spring washer	
8	955781	3	• Hexagon nut	
9	(851349)	1	• Key	
10	(948823)	1	• Washer	
11	940148	1	• Hexagon screw	
12	(852035)	X	Steering cable	L=800mm
	(851016)	X	Steering cable	L=2500mm
				Repl by 851017
	(851017)	X	Steering cable	L=2750mm
	(851018)	X	Steering cable	L=3000mm
	(851019)	X	Steering cable	L=3250mm
				Repl by 851020
	(851020)	X	Steering cable	L=3500mm
	(851021)	X	Steering cable	L=3750mm
	(851022)	X	Steering cable	L=4000mm
	(851023)	X	Steering cable	L=4250mm
	(851024)	X	Steering cable	L=4500mm
	(851025)	X	Steering cable	L=4750mm
	(851026)	X	Steering cable	L=5000mm
	(851027)	X	Steering cable	L=5250mm
	(851028)	X	Steering cable	L=5500mm
	(851029)	X	Steering cable	L=5750mm
	(851030)	X	Steering cable	L=6000mm
	(851031)	X	Steering cable	L=6500mm
	(851032)	X	Steering cable	L=7000mm
	(851033)	X	Steering cable	L=7500mm
	(851034)	X	Steering cable	L=8000mm
	(851921)	X	Steering cable	L=8500mm
	(851922)	X	Steering cable	L=9000mm
	(851923)	X	Steering cable	L=9500mm
13	(851147)	1	Steering cylinder	For starboard mounting.
	(851059)	1	Steering cylinder	For port mounting.
14	(853074)	1	Guide bracket	
15	955324	2	Hexagon screw	
16	941908	2	Spring washer	
17	955300	1	Hexagon screw	Early type
	940142	1	Hexagon screw	Late type
18	960141	1	Washer	
19	941907	1	Spring washer	Early type
20	(853075)	1	Anchorage	
21	955904	1	Washer	
22	(907872)	1	Split pin	
23	(853076)	1	Cap	
24	940101	2	Hexagon screw	
25	963105	2	Lock nut	
26	949607	2	Spring washer	
27	853077	1	Split pin bolt	
28	940097	1	Washer	
29	964960	1	Split pin	
30	963108	1	Lock nut	
31	949608	1	Spring washer	

7744060-64-54153500

45178

Upd:7/25/2022

AD40B, AQAD40A, AQAD40B, AQD40A, MD40A, TAMD40A, TAMD40B, TMD40A, TMD40B, TMD40C



AD40B, AQAD40A, AQAD40B, AQD40A, MD40A, TAMD40A, TAMD40B, TMD40A, TMD40B, TMD40C

REF	PART NO.	QTY	DESCRIPTION	NOTES
1	834610	1	Alternator	14V,35A
2	(831845)	1	• Cover	
3	(181601)	1	• • Ball bearing	
4	(465033)	1	• • Guide	
5	(6211438)	1	• • Screw kit	
6		1	•	
7	(181797)	1	• Ball bearing	
8	(831847)	1	• Alternator housing	
9	(831848)	1	• • Protecting cover	
10	(841575)	1	• Diode kit	second station
11	(831851)	1	• • Screw kit	
12	(831854)	1	• Cover	
13		1	•	Included in spark plug kit 875820.
	(831855)	1	• Fan	
14	(834646)	1	• Pulley	
15	(831857)	1	• Mounting kit	Included in spark plug kit 876077.
	(834644)	1	• Mounting kit	Replaced by 1141543.
16	(841688)	1	• Governor	
17	(955243)	2	• Hexagon screw	
18	941905	2	• Spring washer	
19	829311	2	• Terminal	

AD40B, AQAD40A, AQAD40B, AQD40A, MD40A, TAMD40A, TAMD40B, TMD40A, TMD40B, TMD40C

REF	PART NO.	QTY	DESCRIPTION	NOTES
1	847561	1	Alternator	28V,30A
2	(838912)	1	• Rotor	
3	(848401)	1	• Field winding	(838913)
4	(838916)	1	• Shaft set	
5	(838917)	1	• Fan	
6	(838914)	1	• End plate	
7	848402	1	• Ball bearing	(838918)
8	(838915)	1	• End plate	
9	(840625)	1	• Mounting kit	
10	840626	1	• Screw kit	
11	6212687	1	• Diode retainer	
12	838919	1	• Retainer	
13	(840630)	1	• Ball bearing	
14	(840631)	1	• Protecting casing	
15	847713	1	• Governor	
16	840632	1	• • Brush retainer	
17	840634	1	• Guide	
18	840638	1	Charge distributor	
19	955781	1	Hexagon nut	+
20	949607	1	Spring washer	
21	955780	1	Hexagon nut	
22	941905	1	Spring washer	

TMD40C

REF	PART NO.	QTY	DESCRIPTION	NOTES
1	858572	1	Alternator kit	
2	849748	1	• Alternator	24V,100A
	3803499	1	• Alternator, reman	24V,100A
			•	
3	858191	1	• Pulley	
4	(858627)	1	• Bracket	
5	955358	1	• Hexagon screw	
6	955897	2	• Washer	
7	955784	1	• Hexagon nut	
8	846831	1	• Tensioner	
9	845988	1	• Spacer sleeve	
10	965188	1	• Flange screw	
11	955319	2	• Hexagon screw	
12	960143	4	• Washer	
13	945409	3	• Flange nut	
14	958539	1	• V-belt	
15	(858240)	1	• Coolant pipe	
16	858257	1	• Belt pulley kit	
17	838596	1	• • Pulley	
18	955301	6	• • Hexagon screw	
19	941907	6	Spring washer	See group 2A
20		1		See group 2A
21		1		See group 2A
22		1		See group 2B
23		4		See group 2A

AD40B, AQAD40A, AQAD40B, AQD40A, MD40A, TAMD40A, TAMD40B, TMD40A, TMD40B, TMD40C

REF	PART NO.	QTY	DESCRIPTION	SEE SEC.	NOTES
1	839470	1	Mounting kit		
2	839472	1	• Cover		
3	839474	1	• Plate		
4	839475	1	• Hand lever		
5	(946786)	1	• Set screw		M5
	839693	1	• Lock screw		M8
6	(839480)	1	• Bracket		Marked 839480
	(839481)	1	• Bracket		Marked 839481
7	955244	4	• Hexagon screw		
8	(955946)	4	• Toothed washer		
9	947671	2	• Hex. socket screw		
10	955780	6	• Hexagon nut		
11	960138	2	• Washer		
12	947672	2	• Hex. socket screw		
13	955781	2	• Hexagon nut		
14	960139	2	• Washer		
15	839469	1	Control mechanism		Top-mounted replaced by 851600., Side-mounted replaced by 851601.
			•	54152316	
16	839641	1	Neutral position con		Main station.
17	(839619)	1	• Cable kit		
18	850200	1	• • Toggle switch		
19		X	• •		See group 3
20	876037	1	• Relay kit		
21	946177	2	• Cross recessed screw		
22	947536	2	• Hexagon nut		
23		1	• Coupling piece		
24	828414	1	Switch		D40., Main station.
	828378	1	Switch		D40., second station
25	850200	1	• Toggle switch		
26		X	• •		See group 3
27	946177	2	• Cross recessed screw		
28	947536	2	• Hexagon nut		

AD40B, AQAD40A, AQAD40B, AQD40A, MD40A, TAMD40A, TAMD40B, TMD40A, TMD40B, TMD40C

REF	PART NO.	QTY	DESCRIPTION	SEE SEC.	NOTES
1	(851605)	1	Mounting kit		For sail boat.
2	839518	1	• Cover		
4	839521	1	• Hand lever		
5	839693	1	• Lock screw		
7	955142	4	• Cross recessed screw		
8	851601	1	Control		
			•	54152318	
8A	853423	1	• Retainer		
8B	839638	2	• Cube		
8C	17253	2	• Split pin		
9	839641	1	Neutral position con		Main station.
10	(839619)	1	• Cable kit		
11		1	• •		
12		X	• •		See group 3
13	1501832	1	• Relay		
14	946177	2	• Cross recessed screw		
15	947536	2	• Hexagon nut		
16		1	• Coupling piece		
17	828414	1	Switch		Main station.
	828378	1	Switch		second station
18	850200	1	• Toggle switch		
19		X	•		See group 3
20	946177	2	• Cross recessed screw		
21	947536	2	• Hexagon nut		

AD40B, AQAD40A, AQAD40B, AQD40A, MD40A, TAMD40A, TAMD40B, TMD40A, TMD40B, TMD40C

REF	PART NO.	QTY	DESCRIPTION	NOTES
1	827957	1	Clamp coupling	35mm hole for propeller shaft., For reverse gear BorgWarner
2	955693	4	• Hexagon screw	L=38mm
	955691	4	• Hexagon screw	L=25mm
3	941909	4	• Spring washer	
4	950375	4	• Lock nut	
5	948670	8	• Hex. socket screw	
6	947345	8	• Washer	

7744060-90-54153545

44578

Upd:7/25/2022

AD40B, AQAD40A, AQAD40B, AQD40A, MD40A, TAMD40A, TAMD40B, TMD40A, TMD40B, TMD40C

AD40B, AQAD40A, AQAD40B, AQD40A, MD40A, TAMD40A, TAMD40B, TMD40A, TMD40B, TMD40C

REF	PART NO.	QTY	DESCRIPTION	NOTES
1	828164	1	Connection plate	
2		1	•	
3		2	•	
4		2	•	
5		1	•	
6	828180	2	• Roller	
7	828183	2	• Split pin	
8	828178	2	• Bushing	
9	(850358)	1	• Clevis pin	L=9mm
9A	(828177)	2	• Clevis pin	L=12mm
10	940191	3	• Washer	
11	(61544)	3	• Spring washer	
12	828182	1	• Clevis pin	
13	664822	6	• Split pin	(907824)
14	850452	3	• Fork	
15	850361	3	• Cable attachment	
16	956078	6	• Cross recessed screw	
17	955780	6	• Hexagon nut	
18	(905448)	3	• Screw	Early type (905447)

AD40B, AQAD40A, AQAD40B, AQD40A, MD40A, TAMD40A, TAMD40B, TMD40A, TMD40B, TMD40C

REF	PART NO.	QTY	DESCRIPTION	SEE SEC.	NOTES
1				54153577	
				54153577	
				54153577	
	828164	2	Connection plate	54153577	
			.	54153577	
2	(843327)	2	Instrument cluster	54153578	AQD40, TMD40, MD40.
			.	54153578	
3		2		54153568	For lift device.
4		2			See group 3
5		2			See group 3
6		2			See group 3
7		X			See group 3
8		2			See group 3
9	(843551)	2	Speed control kit		
10	(844035)	1	• Angle lever		
11	955270	1	• Hexagon screw		
12	946035	1	• Lock nut		
13	955844	4	• Hexagon nut		
13A	841035	2	• Spacer sleeve		
14	21471054	1	• Bracket		
15	819068	1	• Washer		
16	956079	2	• Cross recessed screw		
17	843108	2	• Bushing		
18	842996	2	Bracket		See group 2D
19		X		54153631	
20		X		54153622	
				54153622	

AD40B, AQAD40A, AQAD40B, AQD40A, MD40A, TAMD40A, TAMD40B, TMD40A, TMD40B, TMD40C

REF	PART NO.	QTY	DESCRIPTION	SEE SEC.	NOTES
1	(828340)	1	Fuel tank		40L
2	828371	1	• Cover		
3	833799	1	• • Cap		
4	833800	1	• • Gasket		
5		1	• •		Extra flange for different type of tank than 828340.
6	956080	12	• • Cross recessed screw		
7	834481	12	• • Gasket		
8	956076	5	• • Cross recessed screw		
9	941905	5	• • Spring washer		
10	833801	1	• • Cap		
11	89865	1	• • Gasket		
12	881493	1	• • Terminal		See group 3
13	828341	1	• Suction pipe		L=242mm
	(828372)	1	• Suction pipe		L=333mm
	828373	1	• Suction pipe		L=458mm
14	941279	X	• • Hose		
15	(828375)	1	• Connector kit		5/16"
16	957178	3	• • Gasket		
17	191830	1	• • Plug		
18	833857	1	• • Banjo nipple		
19	25167	1	• • Hollow screw		
20	(803684)	1	• • Shut-off cock		
21	954322	1	• • • Fitting nut		
22	89865	1	• • Gasket		
23	956076	5	• • Cross recessed screw		L=12mm
	956080	5	• • Cross recessed screw		L=0.875" (22mm)
24	941905	5	• • Spring washer		
25		1		54153608	
		1		54153608	
26	957178	2	Gasket		
27	807060	1	Banjo nipple		
28	807061	1	Cap nut		
29	25167	1	Hollow screw		
30	828227	X	Copper tube	54153600	5/16", L=3000mm
	954307	X	Tube	54153600	3/8"
				54153600	
31	(828376)	1	Connector kit		3/8"
32	841523	1	• Faucet		
33	954323	3	• Fitting nut		3/8"
34	957178	3	• Gasket		
35	191830	1	• Plug		
36	191600	1	• Banjo nipple		3/8"
37	25167	1	• Hollow screw		
38	89865	1	• Gasket		
39	956076	5	• Cross recessed screw		L=12mm
	956080	5	• Cross recessed screw		L=0.875" (22mm)
40	941905	5	• Spring washer		
41	951189	X	Clamp		
42	955139	X	Cross recessed screw		
43	(1144037)	1	Tank valve		5/8"

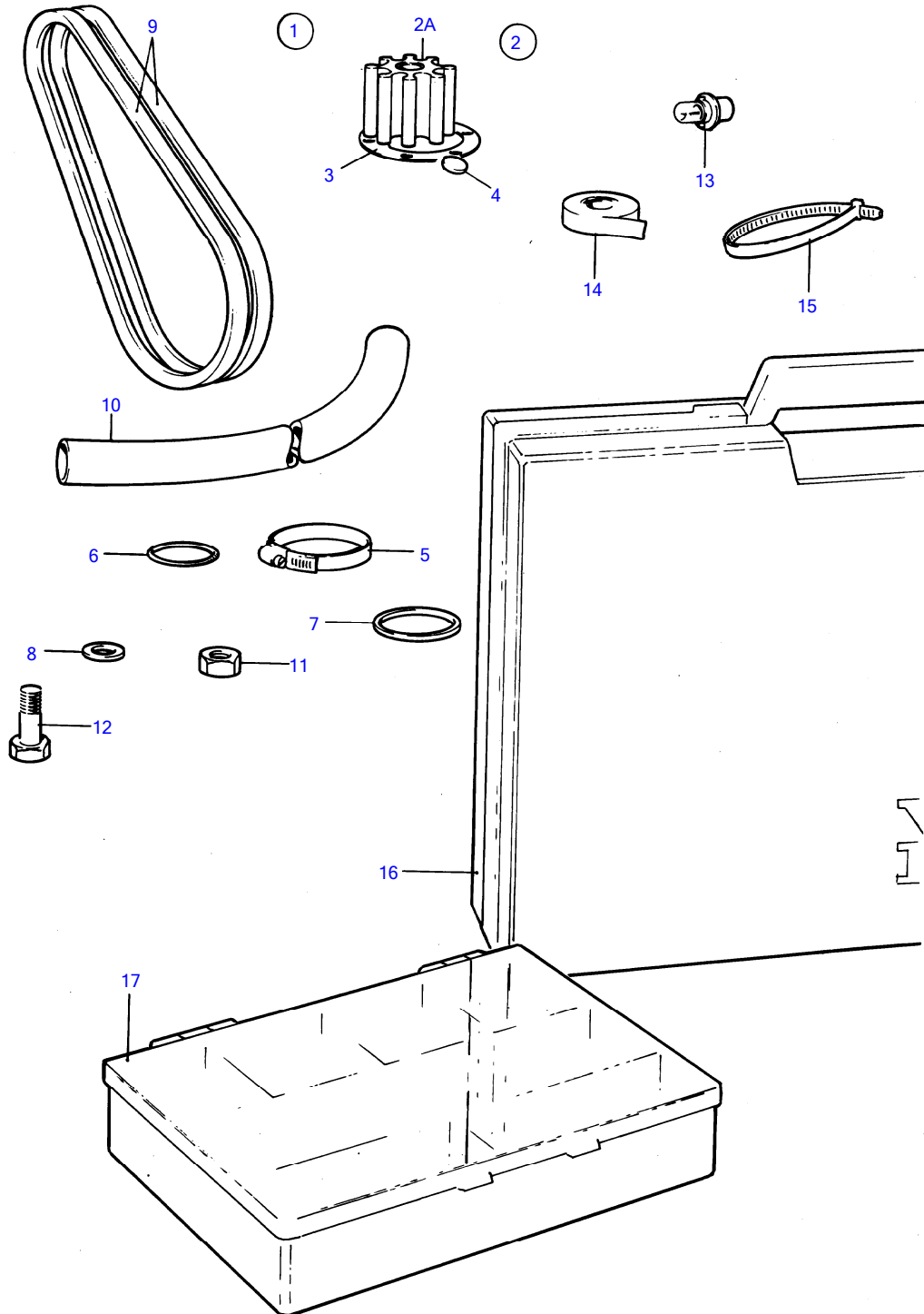
AQAD40A, AQD40A, MD40A, TAMD40A, TMD40A

REF	PART NO.	QTY	DESCRIPTION	NOTES
1	(843327)	1	Instrument cluster	
2	(837540)	1	• Instrument plate	
3	(842872)	1	• Tachometer	
4	827597	1	• Horn unit	
5	843684	2	• Button	(240975)
6	837533	2	• Rubber cap	
7	842918	1	• Rheostat	
8	842921	1	• Knob	
9	(875819)	1	• Switch	
10	843002	2	• Nut	
11	(837726)	1	• Knob	
12	819350	3	• Sleeve	
13	808175	4	• Bulb socket	
14	19923	4	• Bulb	
15	827766	3	• Lens	
16	(837674)	1	• Alarm separator	
17	(837860)	1	• Anchorage	
18	(842662)	1	• Cable trunk	
19		X	• •	See group 3
20	(944540)	4	• Screw	
21	845071	1	• Plug	

AQAD40B, TAMD40B, TMD40B, TMD40C

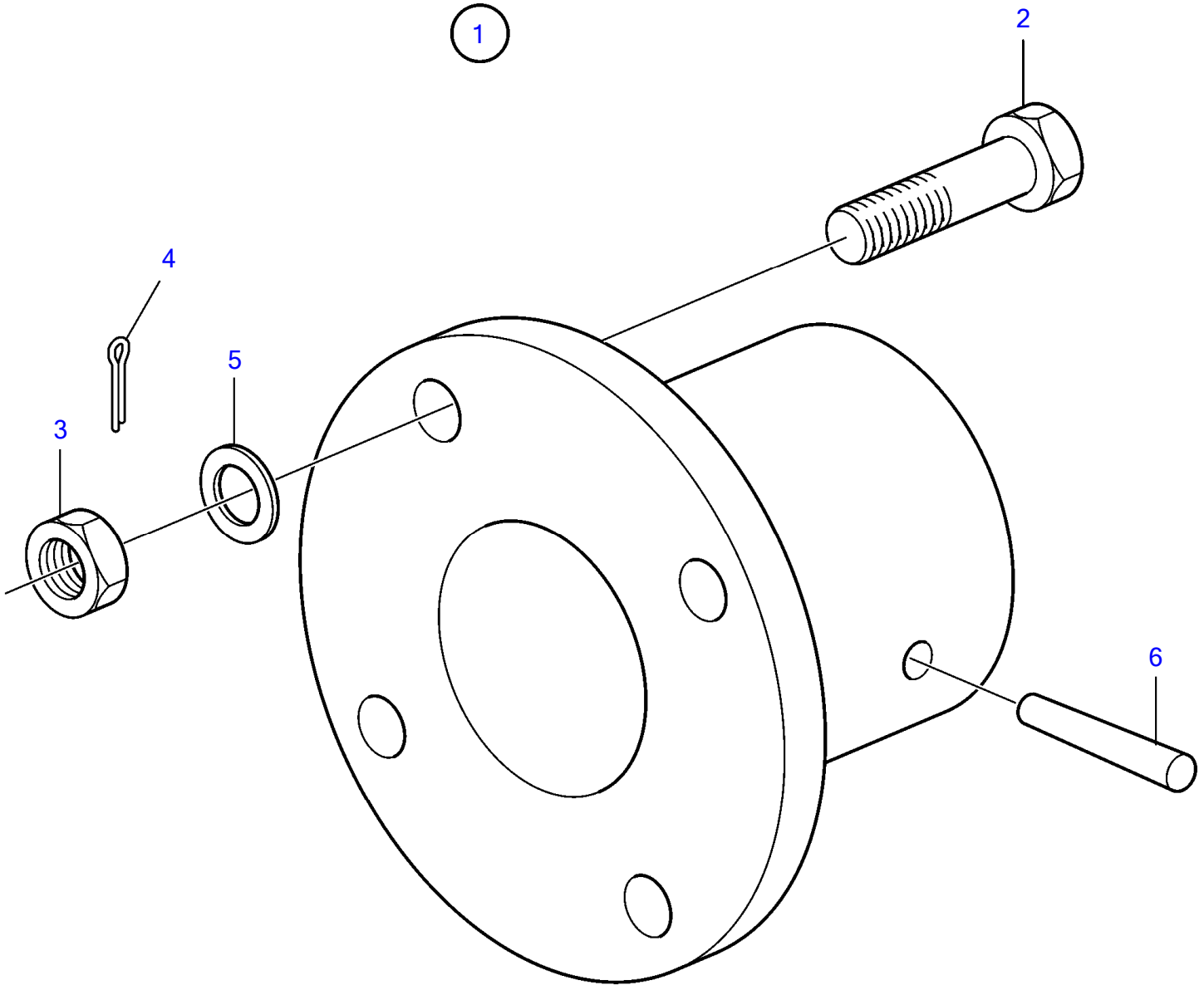
REF	PART NO.	QTY	DESCRIPTION	NOTES
1	828588	1	Instrument panel	
2	828647	4	Screw	
3	952629	1	Clamp	
4	828601	1	Tachometer	Repl by 858558
	(858558)	1	Tachometer kit	
5	(828558)	1	• Attaching ring	
6	828559	1	Front ring	
7	828612	1	Temperature gauge	
8	828542	3	Front ring	
9	828618	1	Oil pressure gauge	
10	828628	1	Voltmeter	
11	808175	4	Bulb socket	
12	19923	4	Bulb	
13	828778	1	Starter switch	
14	(828676)	2	• Key	State key code when ordering
15	1581184	1	Round nut	
16	828587	1	Buzzer	
17	828584	1	Toggle switch	Alarm
	828585	1	Toggle switch	
18	828586	2	Nut	
19	828560	1	Symbol strip	
20	966326	4	Bulb	
21	828605	1	Circuit board	Replaced by 1ea electronic unit-828783,1ea reflector -828784,2ea screw-941615 and 4ea bulb-19923.
21A	828783	1	Electronic unit	
21B	828784	1	Reflector	
21C	(941615)	2	Cross recessed screw	
21D	19923	4	Bulb	
22	(941610)	2	Cross recessed screw	
23	941904	2	Spring washer	
24	949947	1	Cross recessed screw	(966832)
25	828646	1	Cable trunk	
		X		See group 3

AD40B, AQAD40A, AQAD40B, AQD40A, MD40A, TAMD40A, TAMD40B, TMD40A, TMD40B, TMD40C



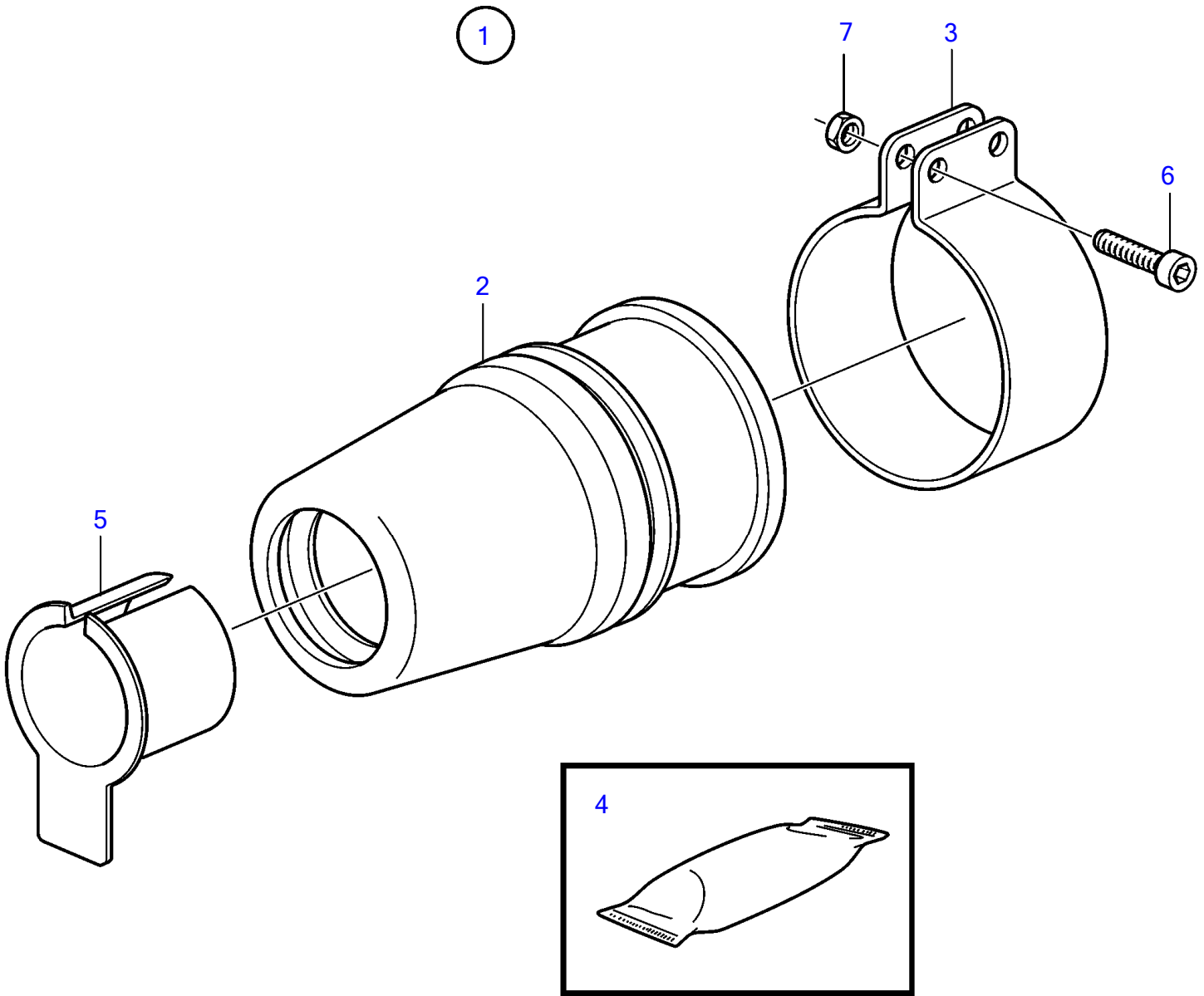
8421

AD40B, AQAD40A, AQAD40B, AQD40A, MD40A, TAMD40A, TAMD40B, TMD40A, TMD40B, TMD40C



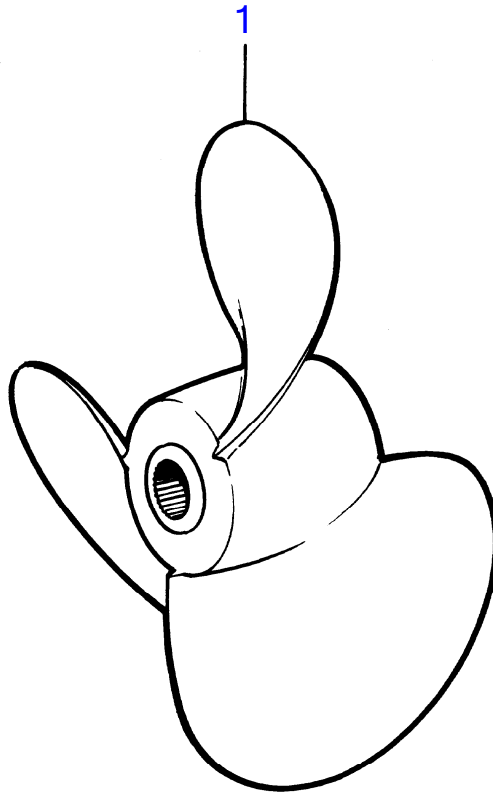
4624

MD40A, TAMD40A, TAMD40B, TMD40A, TMD40B, TMD40C



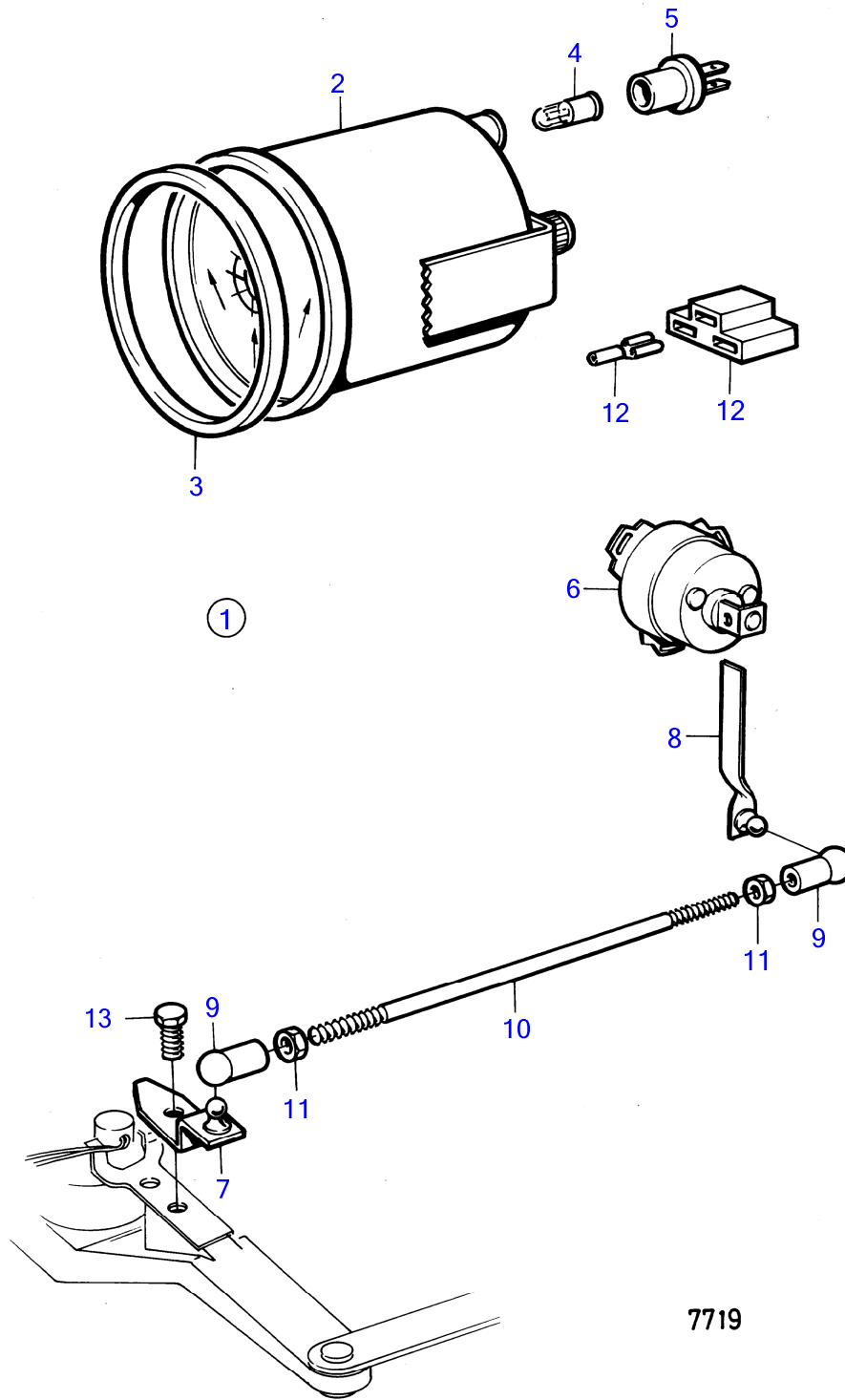
6147

AD40B, AQAD40A, AQAD40B, AQD40A, MD40A, TAMD40A, TAMD40B, TMD40A, TMD40B, TMD40C

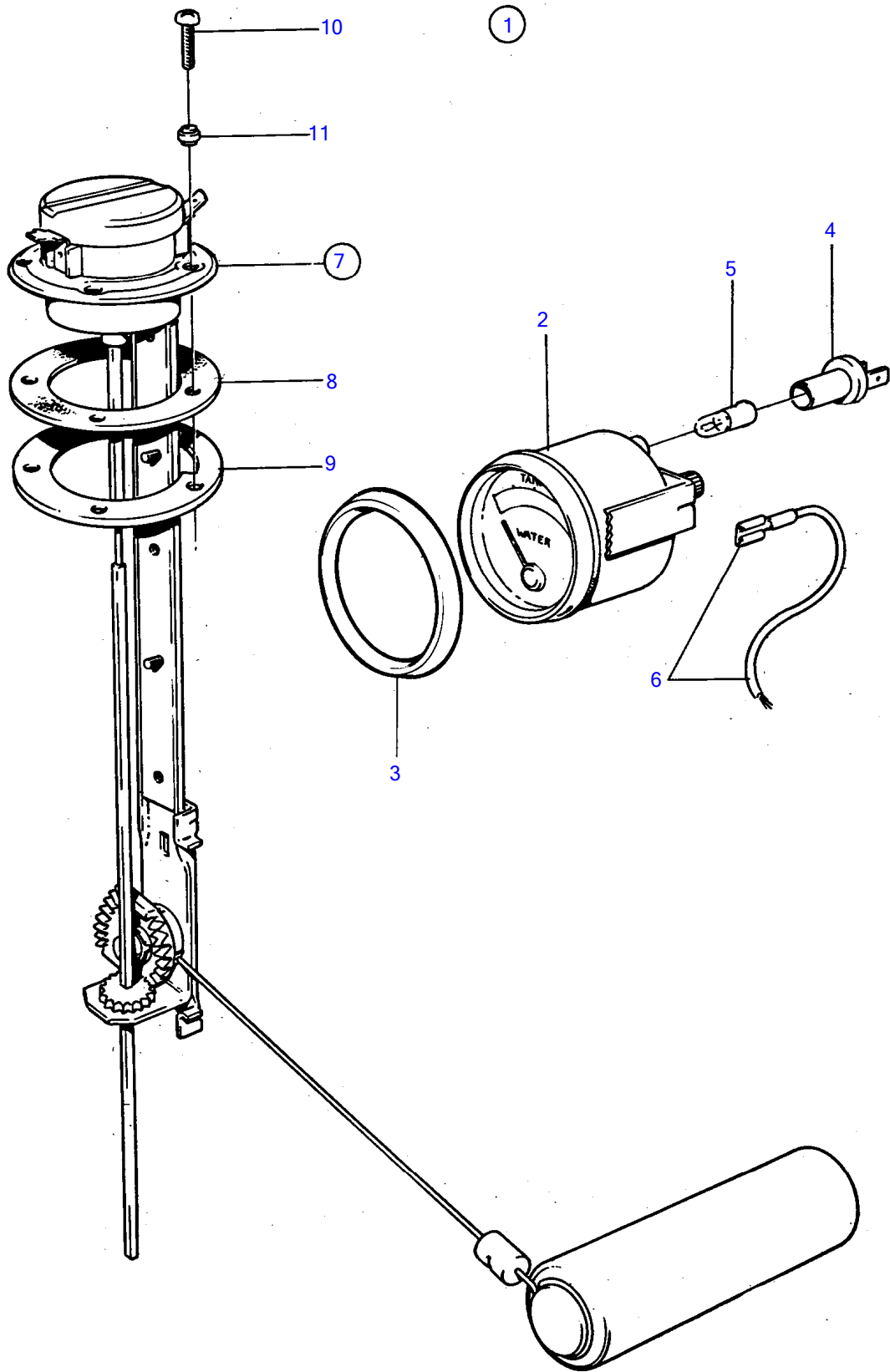


6082

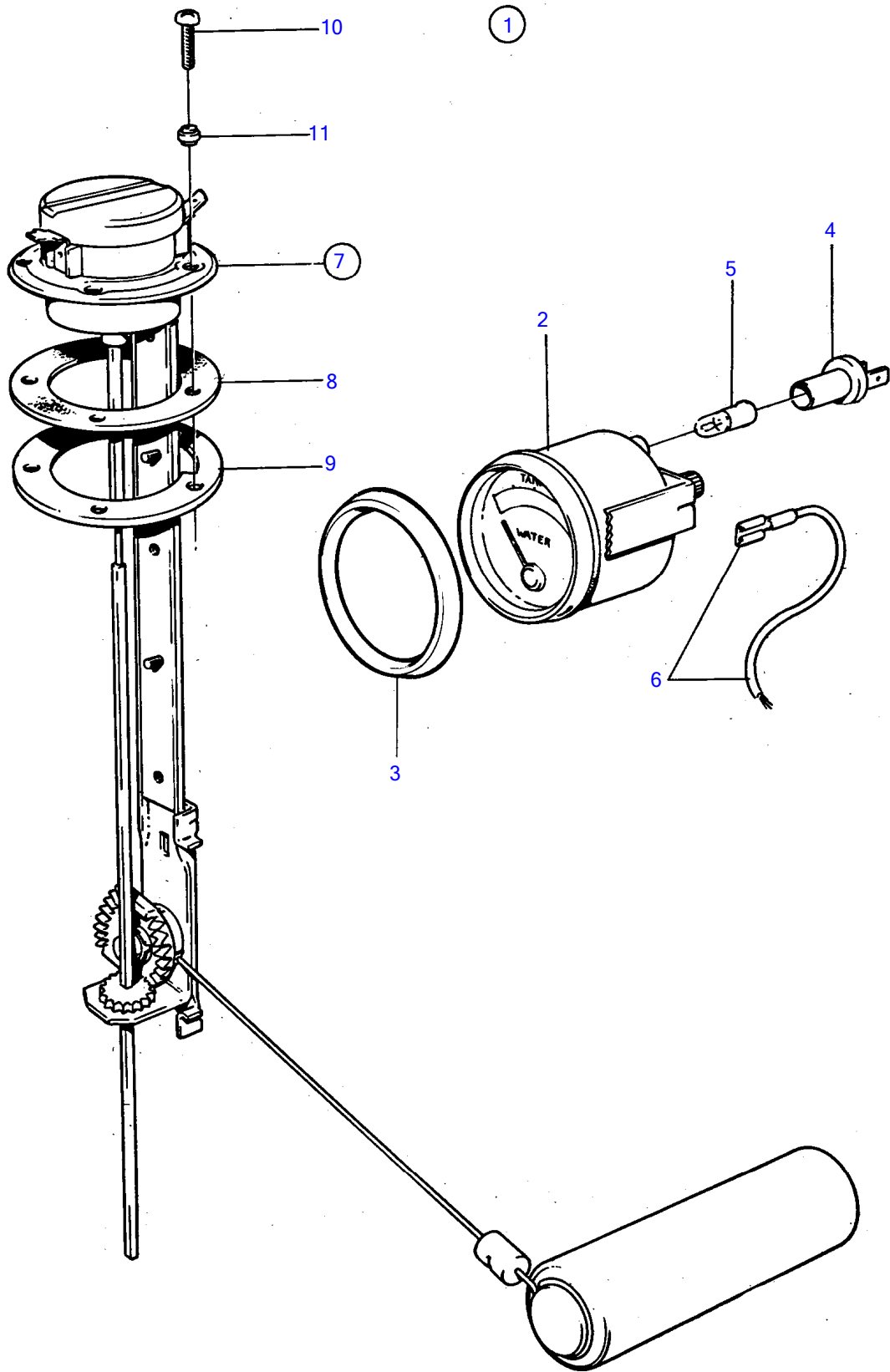
AD40B, AQAD40A, AQAD40B, AQD40A, MD40A, TAMD40A, TAMD40B, TMD40A, TMD40B, TMD40C



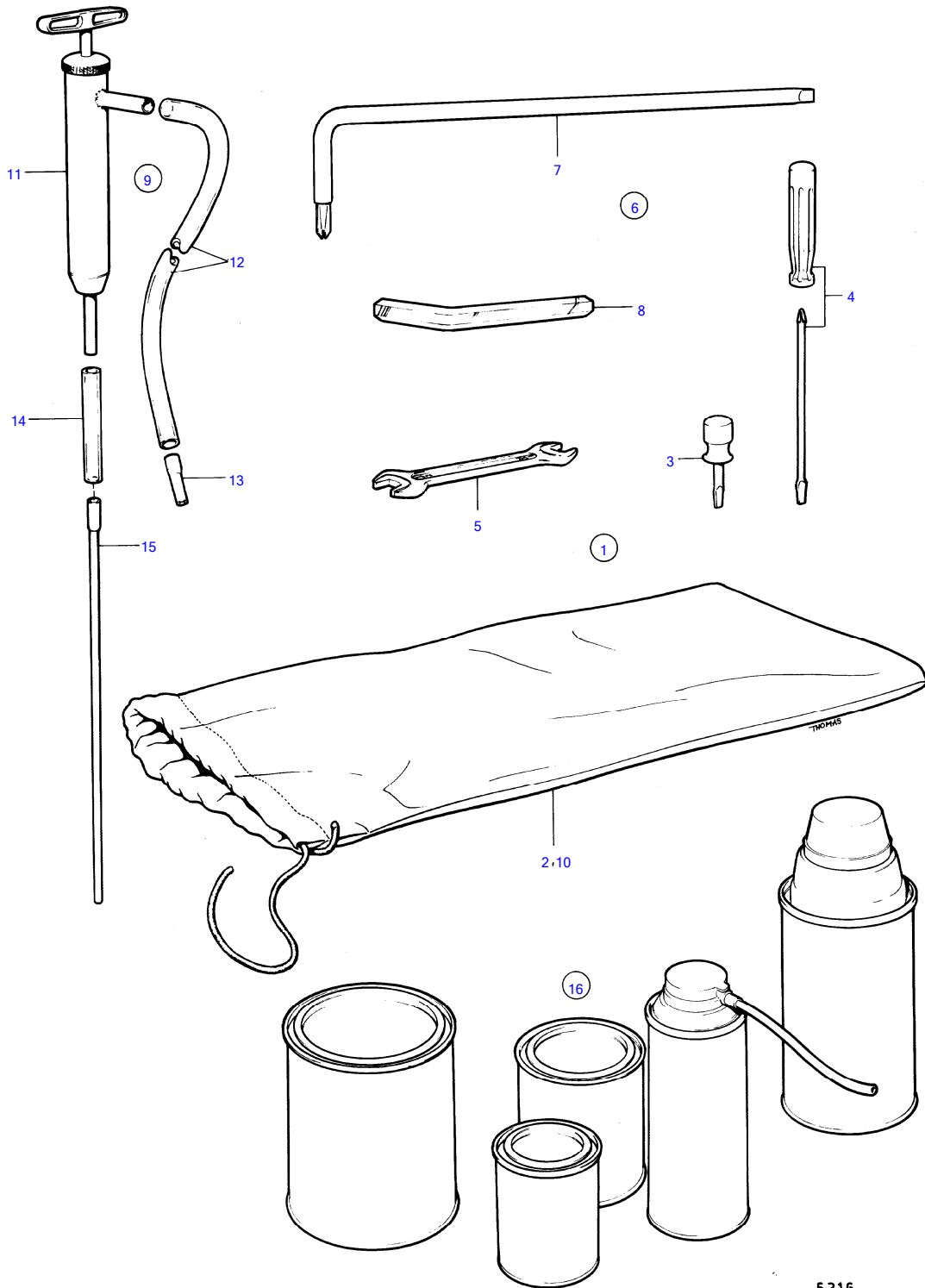
AD40B, AQAD40A, AQAD40B, AQD40A, MD40A, TAMD40A, TAMD40B, TMD40A, TMD40B, TMD40C



AD40B, AQAD40A, AQAD40B, AQD40A, MD40A, TAMD40A, TAMD40B, TMD40A, TMD40B, TMD40C

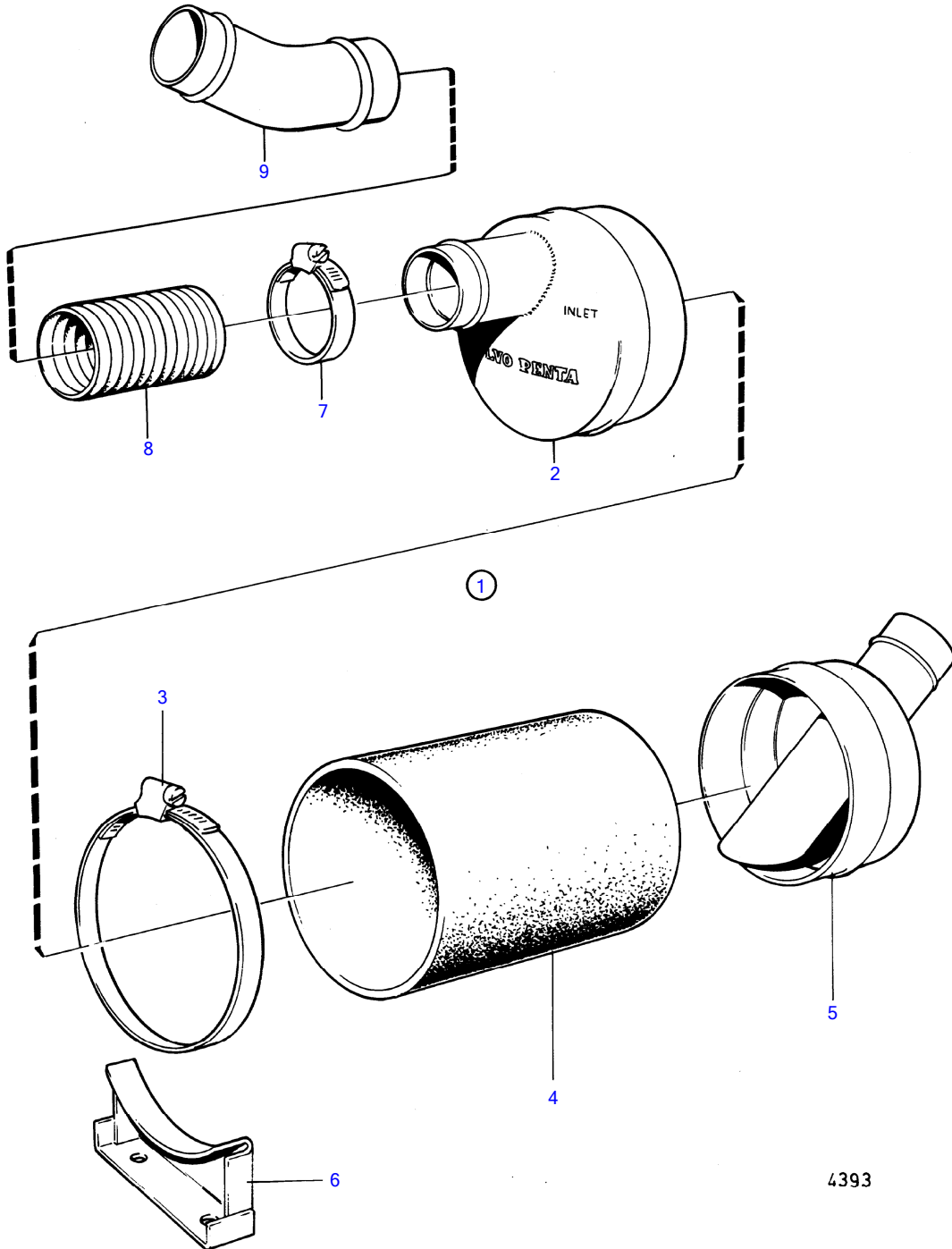


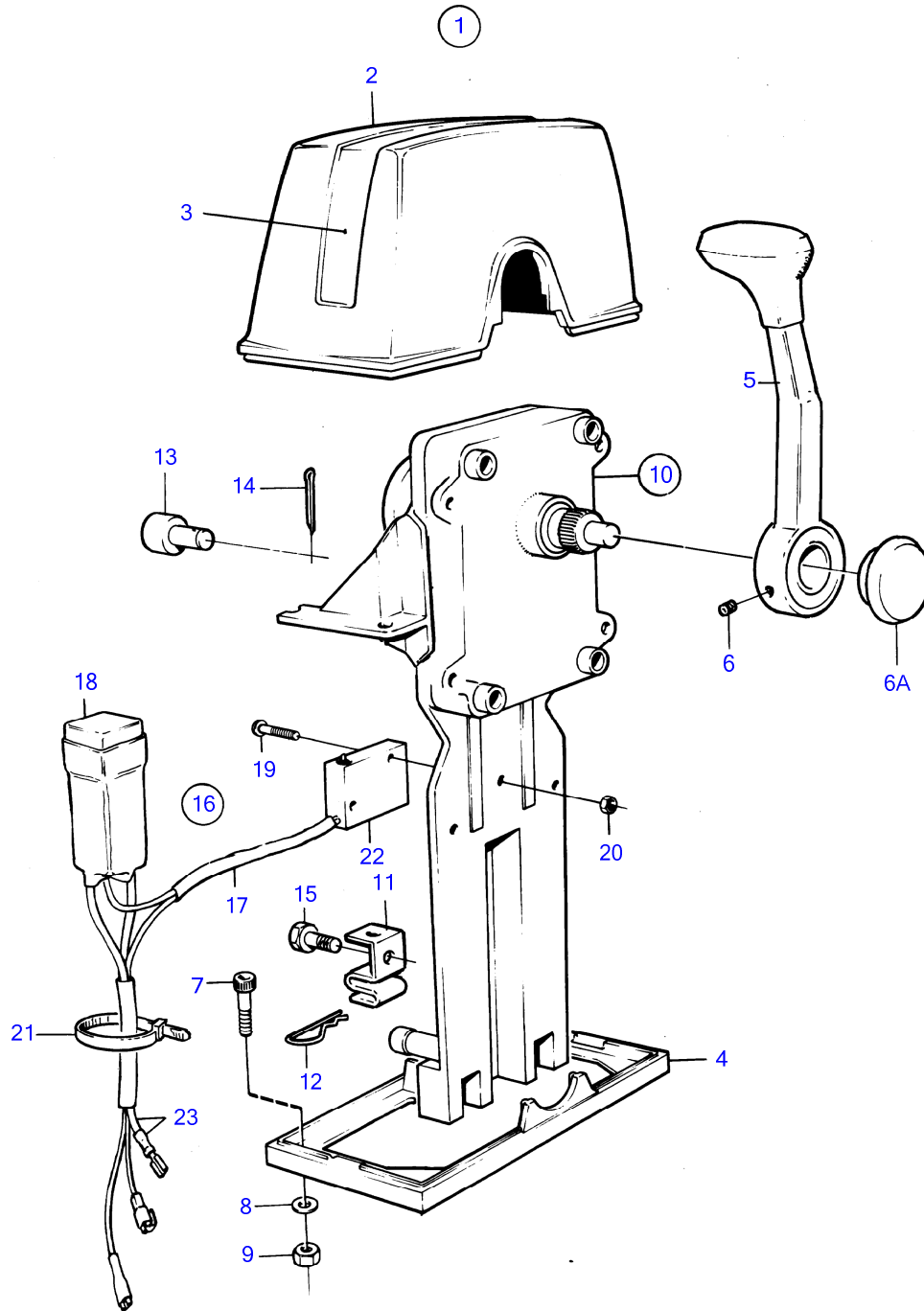
AQD40A, MD40A, TMD40A, TMD40B, TMD40C



5316

MD40A, TAMD40A, TAMD40B, TMD40A, TMD40B, TMD40C





7602

DESCRIPTION	SEE SEC.	NOTES
Camshaft and Valve Mechanism	54153341	TMD40B, TMD40C
Camshaft and Valve Mechanism	54153340	AQAD40A, AQAD40B, AQD40A, MD40A, TAMD40A, TAMD40B, TMD40A
Crankshaft and Related Parts	54153332	AQAD40A, AQAD40B, AQD40A, MD40A, TAMD40A, TAMD40B, TMD40A
Crankshaft and Related Parts	54153333	TMD40B, TMD40C
Cylinder Block and Flywheel Cover	54153328	TMD40A
Cylinder Block and Flywheel Cover	54153327	AQD40A
Cylinder Block and Flywheel Cover	54153330	TMD40B, TMD40C
Cylinder Block and Flywheel Cover	54153329	MD40A
Cylinder Block and Flywheel Cover	54153331	AQAD40A, AQAD40B, TAMD40A, TAMD40B
Cylinder Head	54153312	AQAD40A, AQAD40B, AQD40A, MD40A, TAMD40A, TAMD40B, TMD40A
Cylinder Head	54153313	TMD40B, TMD40C
Engine Suspension	54153323	AQAD40A
Engine Suspension	54153326	TAMD40B
Engine Suspension	54153322	TMD40A, TMD40B, TMD40C
Engine Suspension	54153320	AQD40A
Engine Suspension	54153325	AQAD40B
Engine Suspension	54153321	MD40A
Engine Suspension	54153324	TAMD40A
Engine with Installation Components	54153335	AQD40A, MD40A
Engine with Installation Components	54153339	AQAD40A, AQAD40B, TAMD40A, TAMD40B
Lubricating System	54153314	AQAD40A, AQAD40B, AQD40A, MD40A, TAMD40A, TAMD40B, TMD40A, TMD40B, TMD40C
Oil Filter and Installation Components: 842584	54153318	AQAD40A, AQAD40B, AQD40A, MD40A, TAMD40A, TAMD40B, TMD40A, TMD40B, TMD40C
Oil Filter and Installation Components: 858245	54153319	AQAD40A, AQAD40B, AQD40A, MD40A, TAMD40A, TAMD40B, TMD40A, TMD40B, TMD40C
Oil Pump	54153317	
Timing Gear Cover and Gears	54153343	TMD40B, TMD40C
Timing Gear Cover and Gears	54153342	AQAD40A, AQAD40B, AQD40A, MD40A, TAMD40A, TAMD40B, TMD40A

CLICK HERE TO **DOWNLOAD** THE COMPLETE MANUAL

- Thank you very much for reading the preview of the manual.
- You can download the complete manual from: www.heydownloads.com by clicking the link below



- Please note: If there is no response to CLICKING the link, please download this PDF first and then click on it.

CLICK HERE TO **DOWNLOAD** THE COMPLETE MANUAL