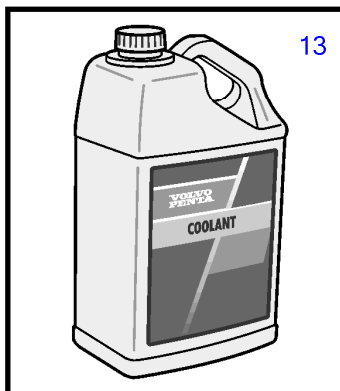
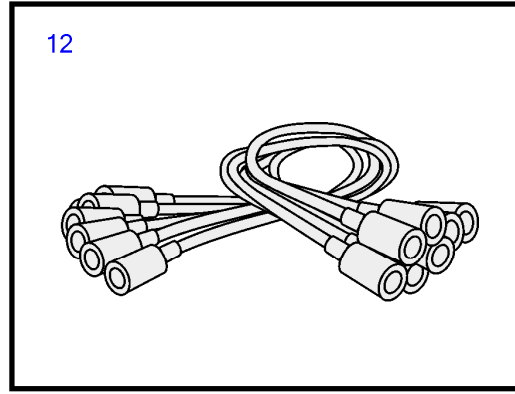
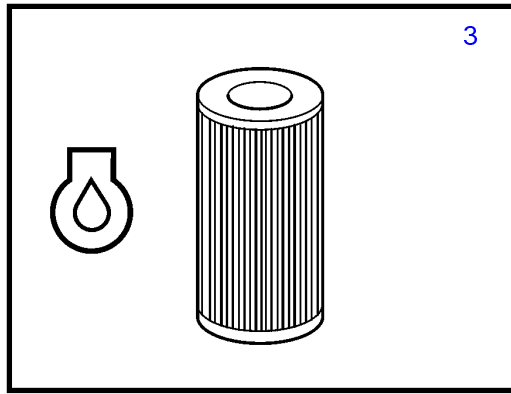
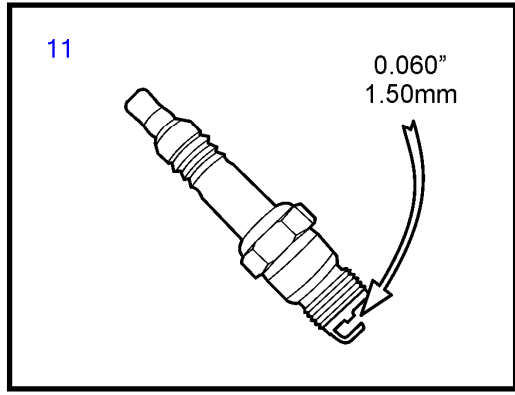
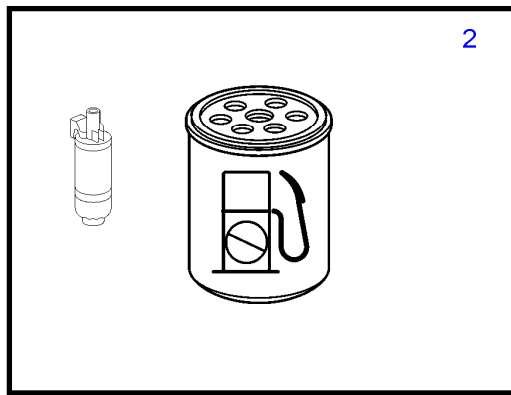
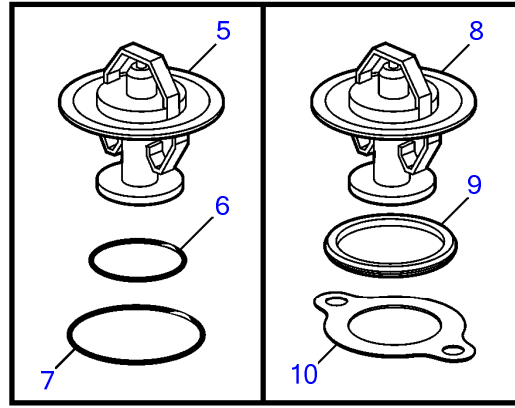
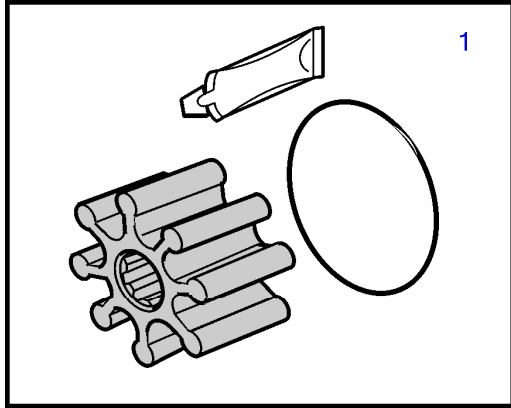


8.1IPSE-KF



25147

CLICK HERE TO **DOWNLOAD** THE COMPLETE MANUAL

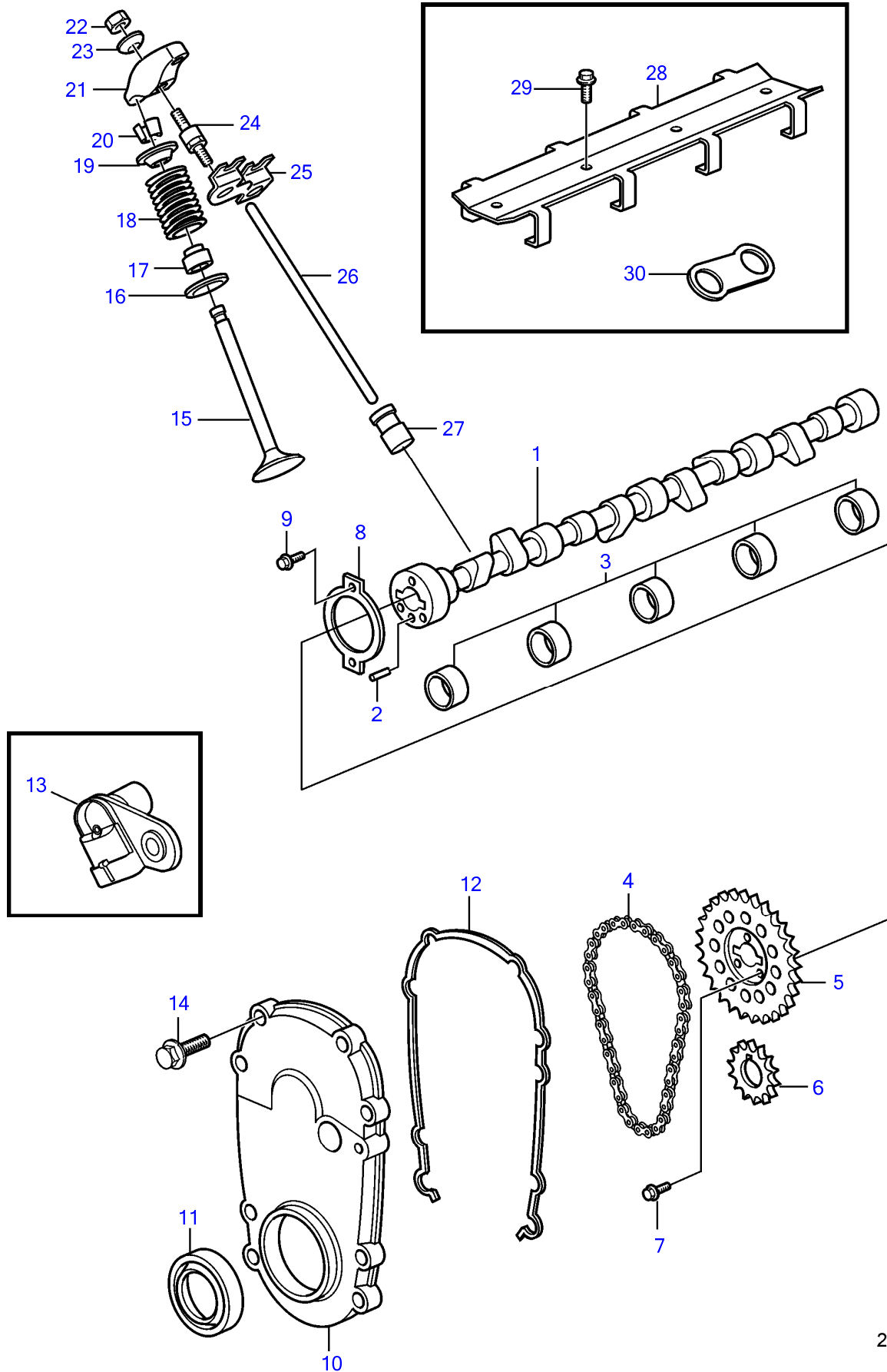
- Thank you very much for reading the preview of the manual.
- You can download the complete manual from: www.heydownloads.com by clicking the link below



- Please note: If there is no response to CLICKING the link, please download this PDF first and then click on it.

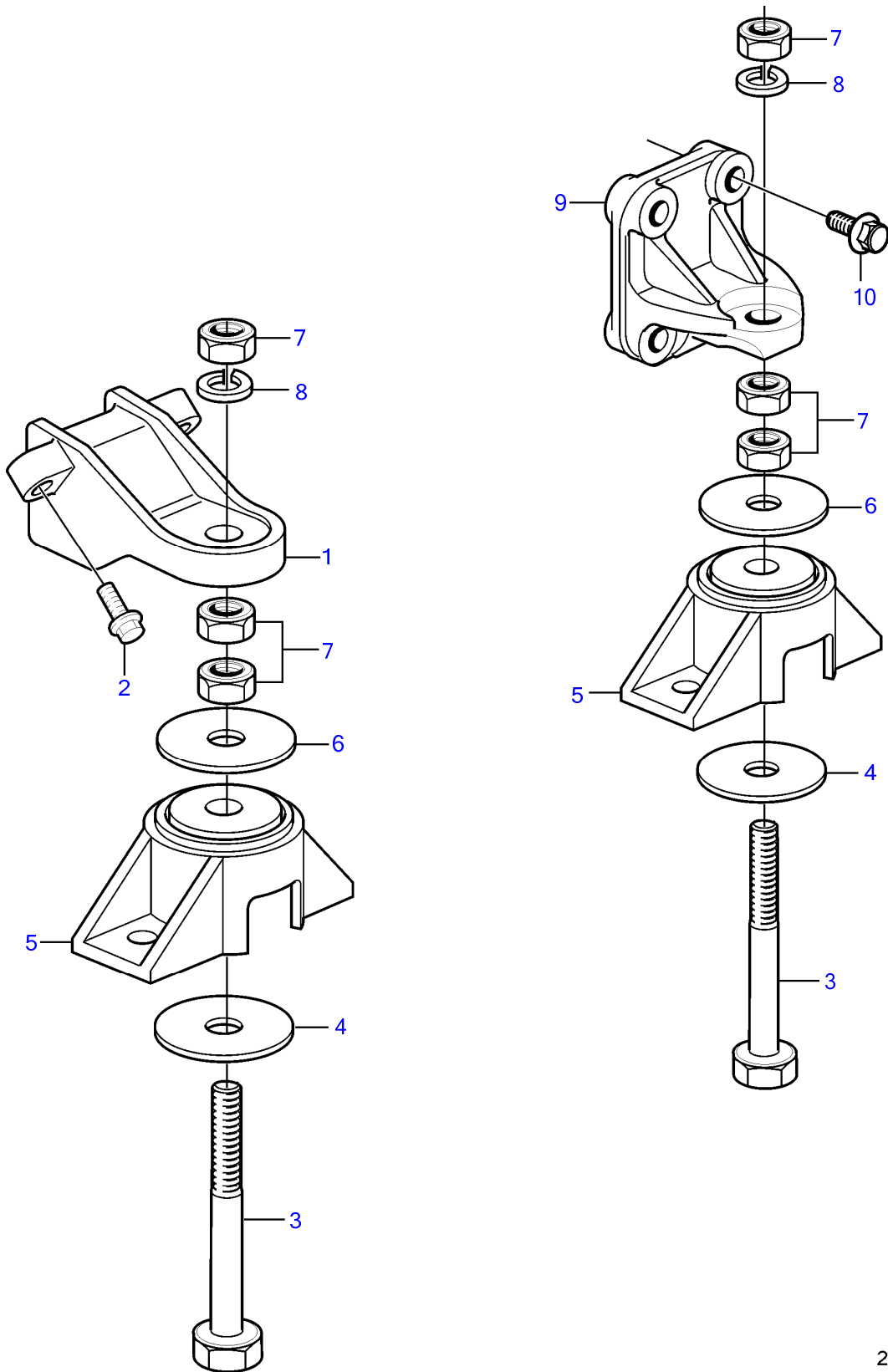
CLICK HERE TO **DOWNLOAD** THE COMPLETE MANUAL

8.1IPSCE-JF, 8.1IPSCE-MF



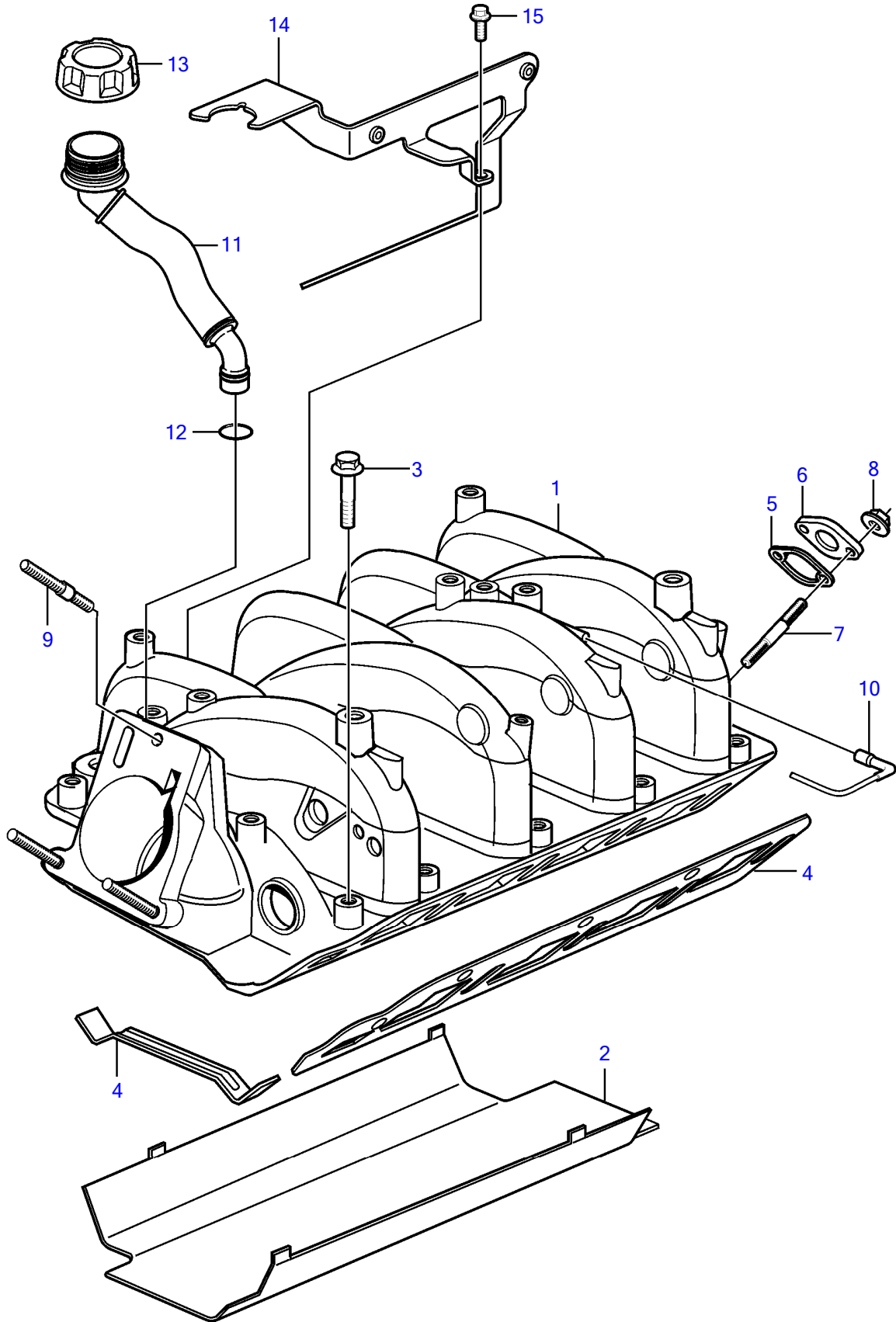
20911

8.1IPSCE-JF, 8.1IPSCE-MF

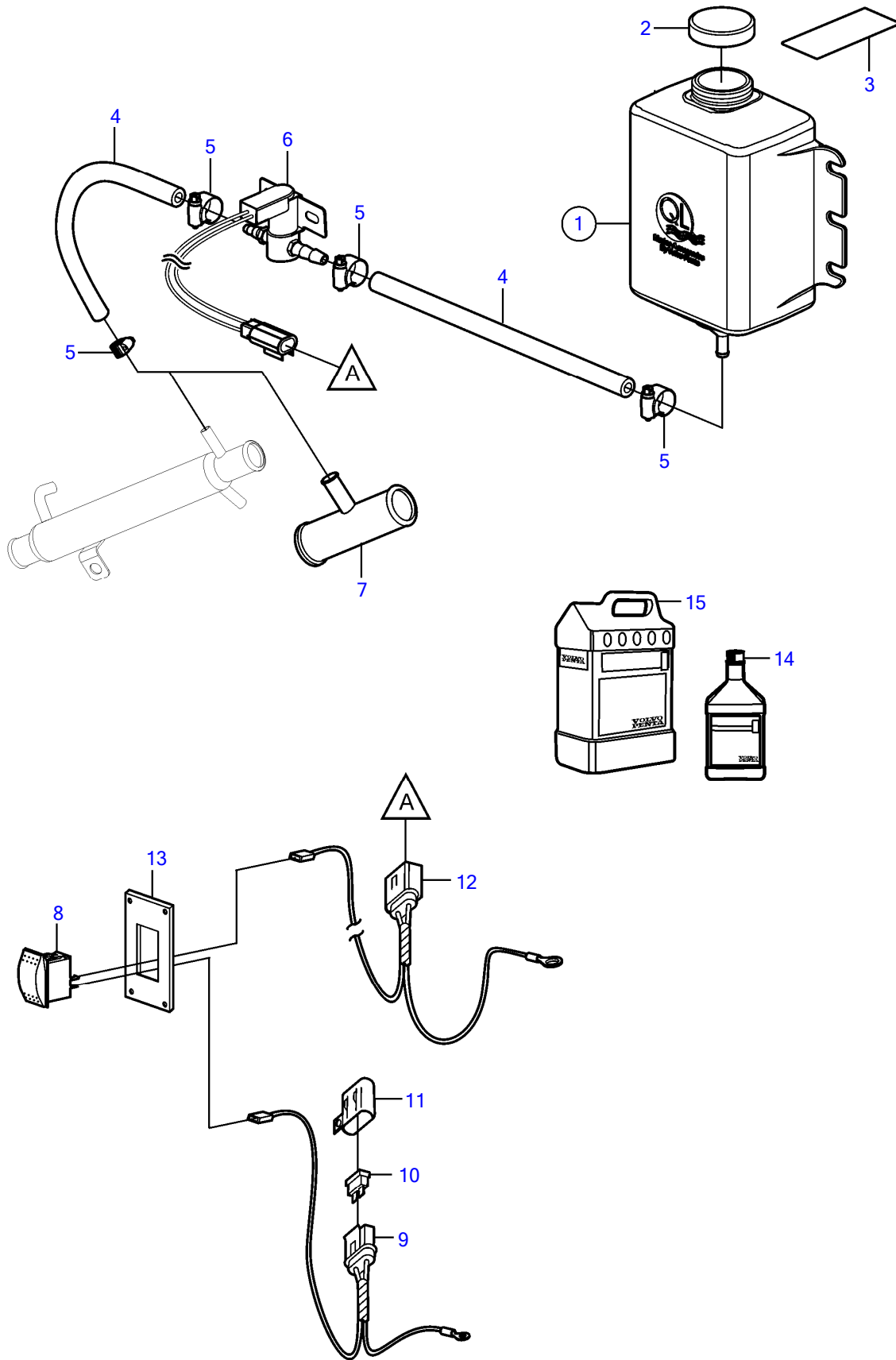


24097

8.1IPSCE-JF, 8.1IPSCE-MF

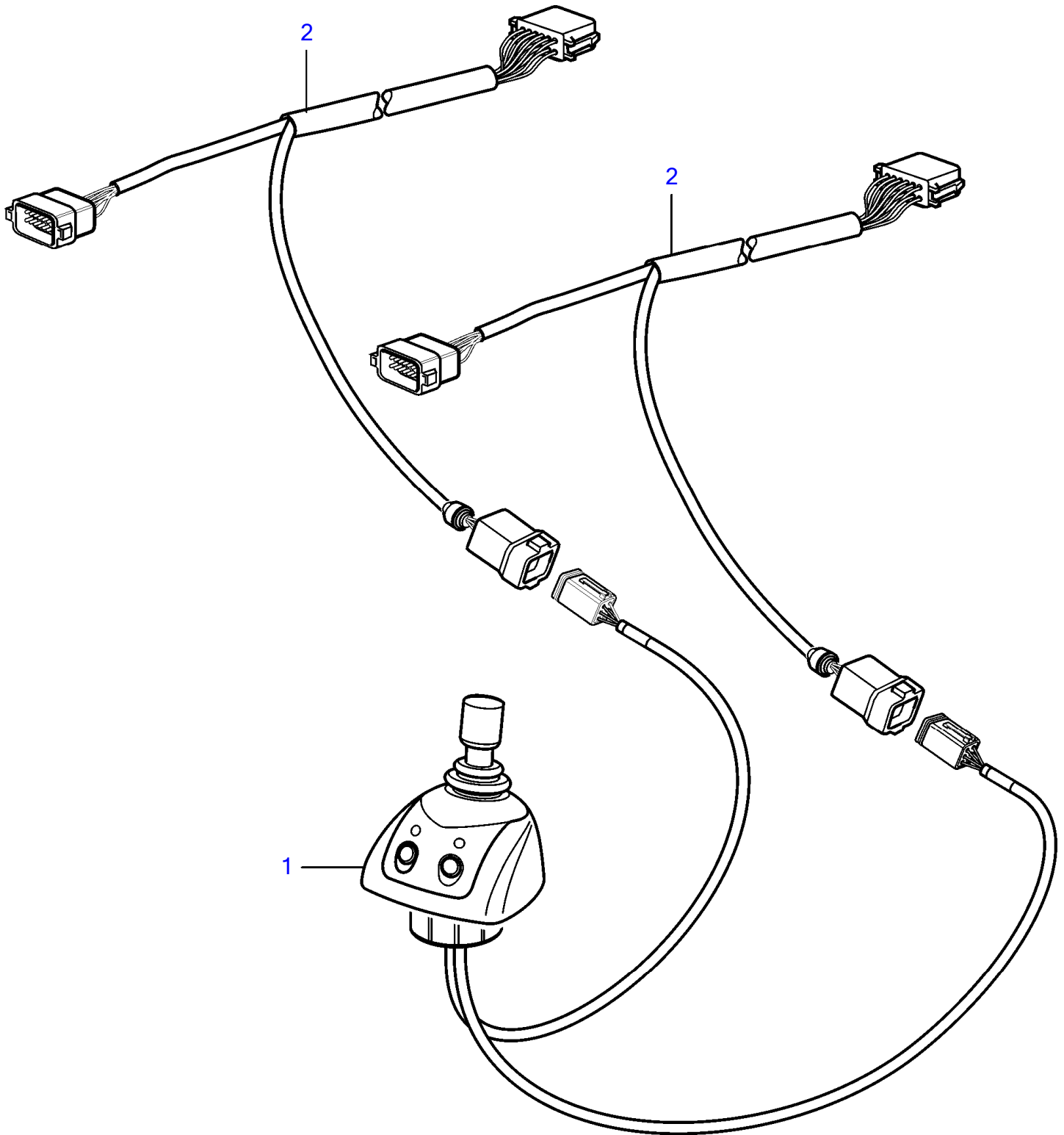


8.1IPSCE-JF, 8.1IPSCE-MF



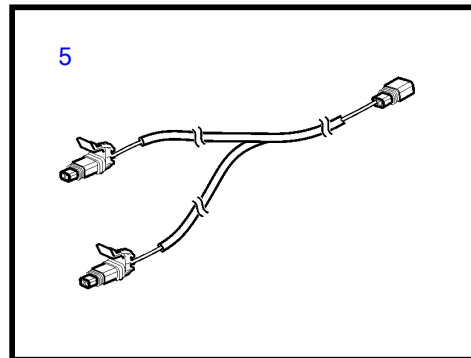
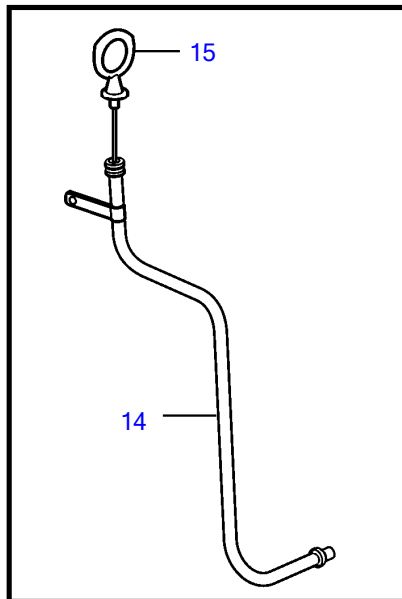
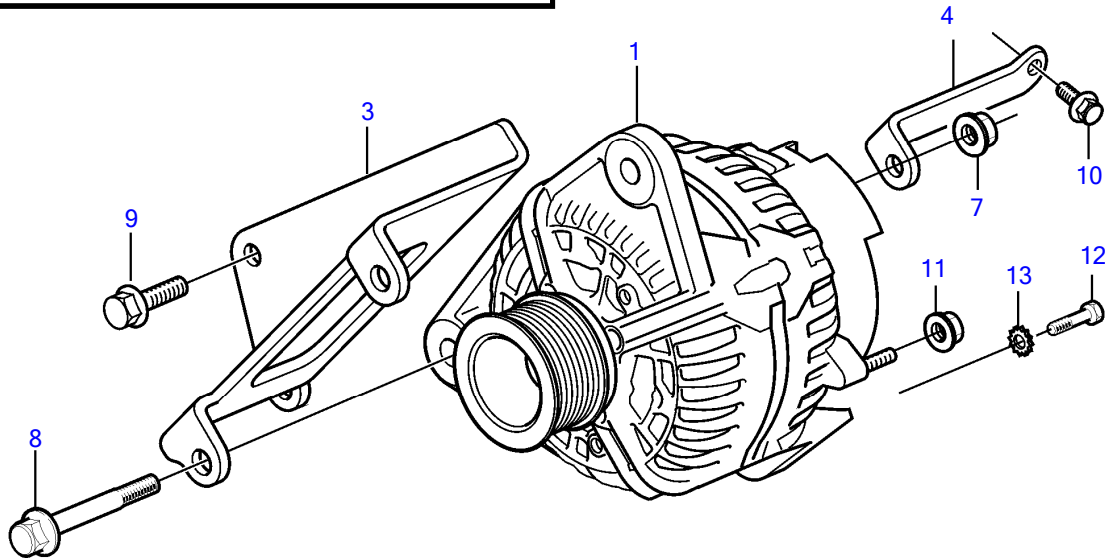
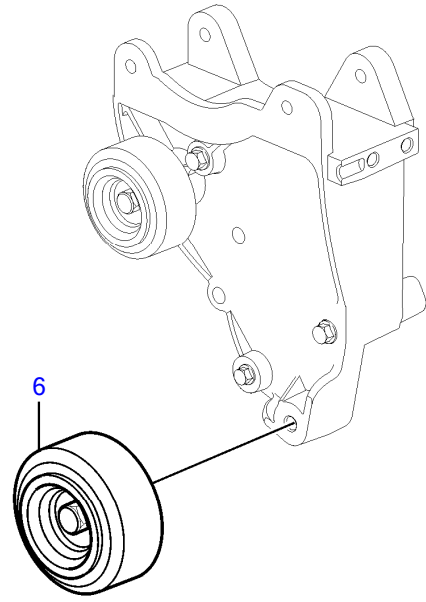
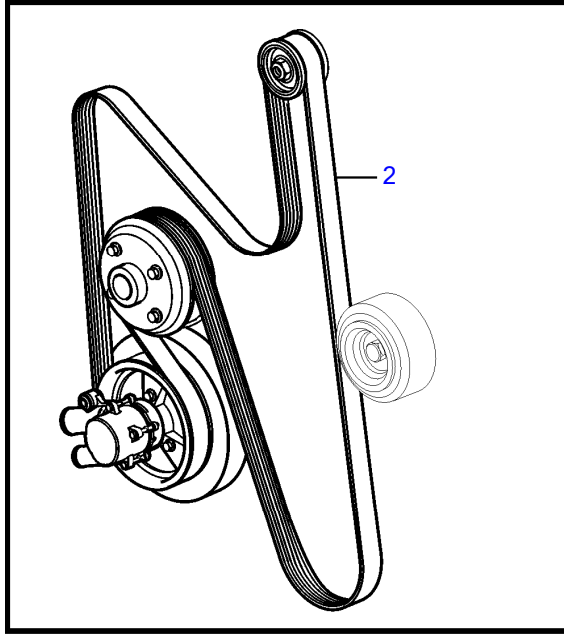
23330

8.1IPSCE-JF, 8.1IPSCE-MF



23508

8.1IPSCE-JF, 8.1IPSCE-MF



26031

CLICK HERE TO **DOWNLOAD** THE COMPLETE MANUAL

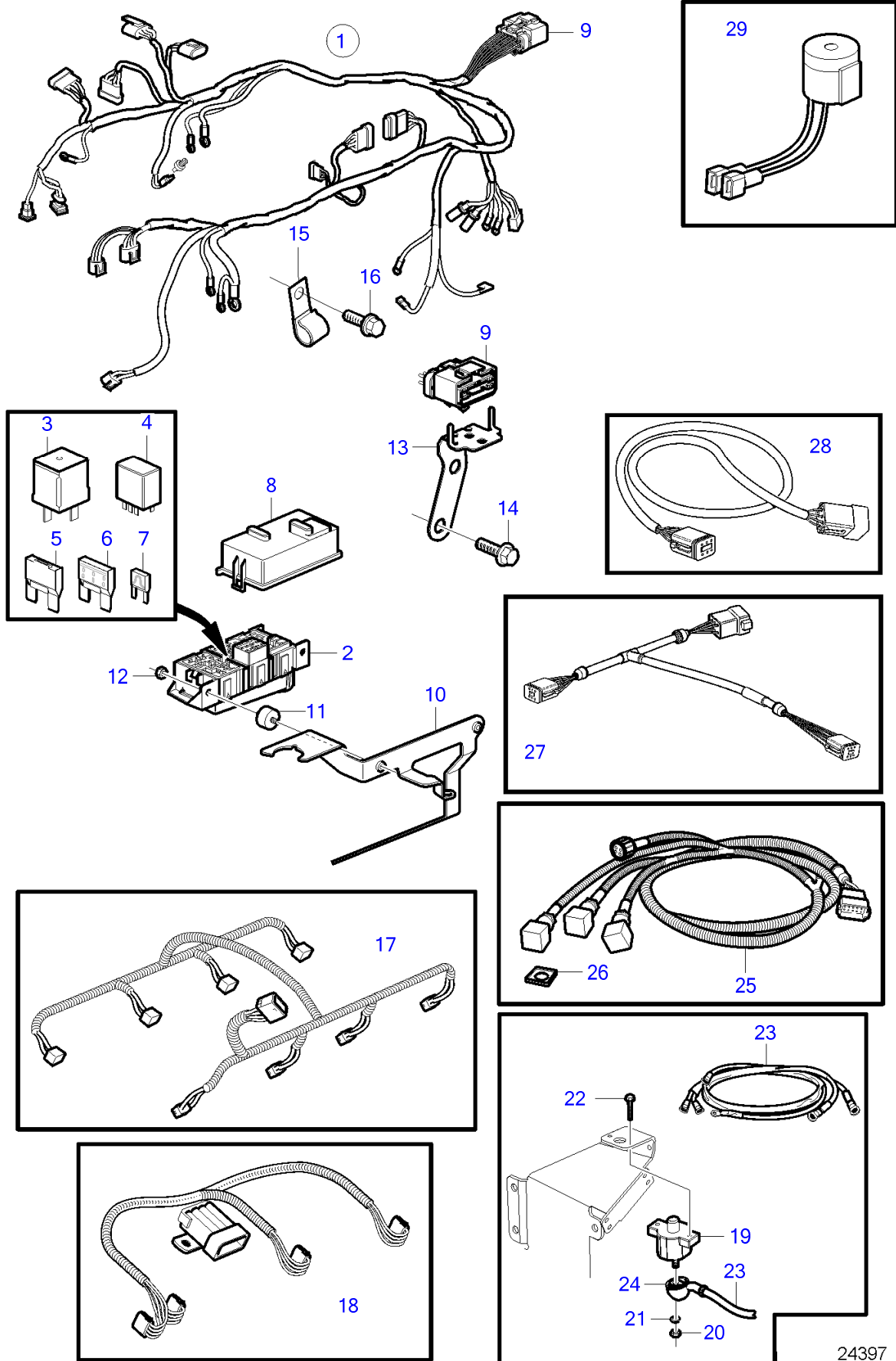
- Thank you very much for reading the preview of the manual.
- You can download the complete manual from: www.heydownloads.com by clicking the link below



- Please note: If there is no response to CLICKING the link, please download this PDF first and then click on it.

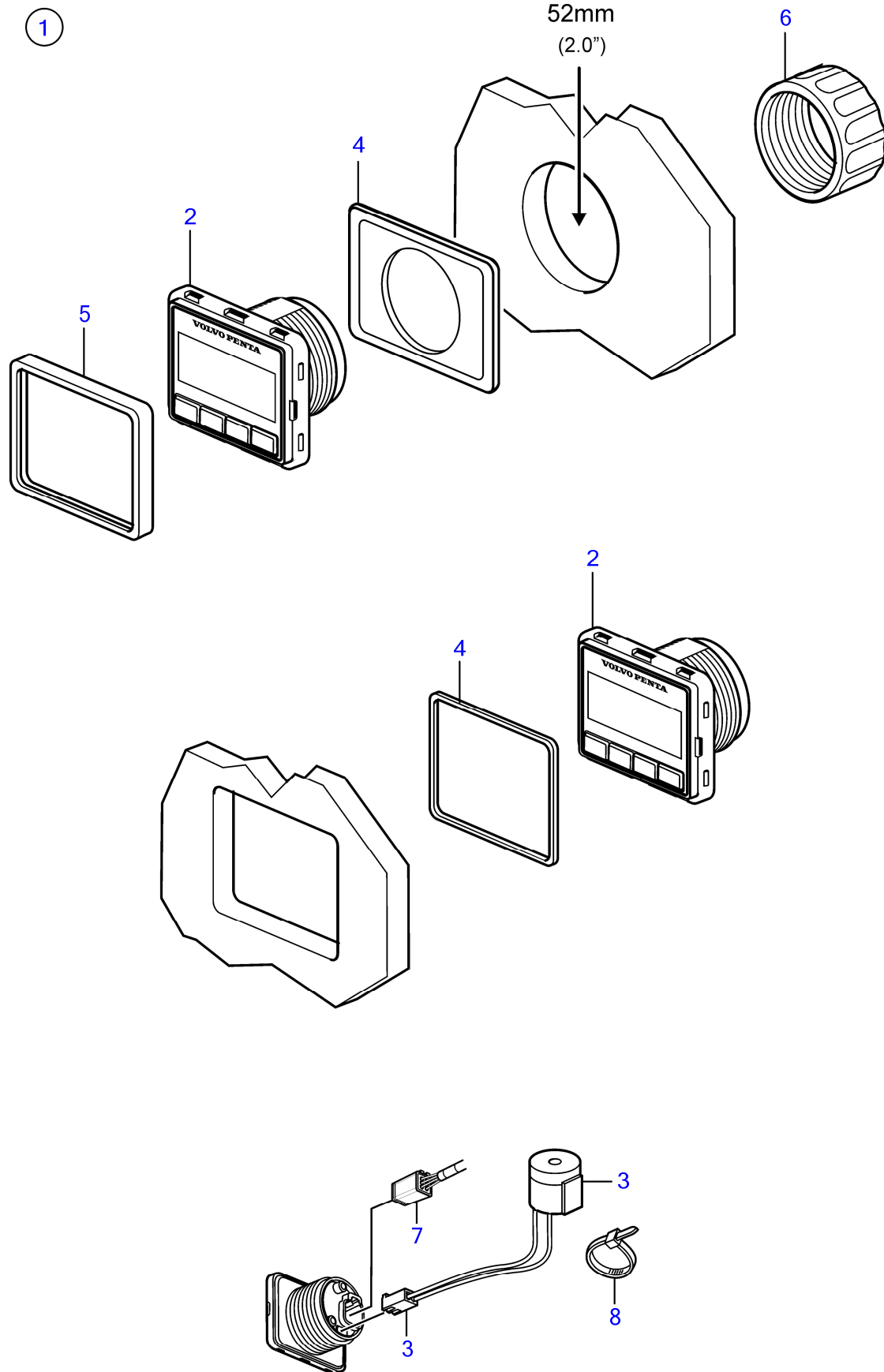
CLICK HERE TO **DOWNLOAD** THE COMPLETE MANUAL

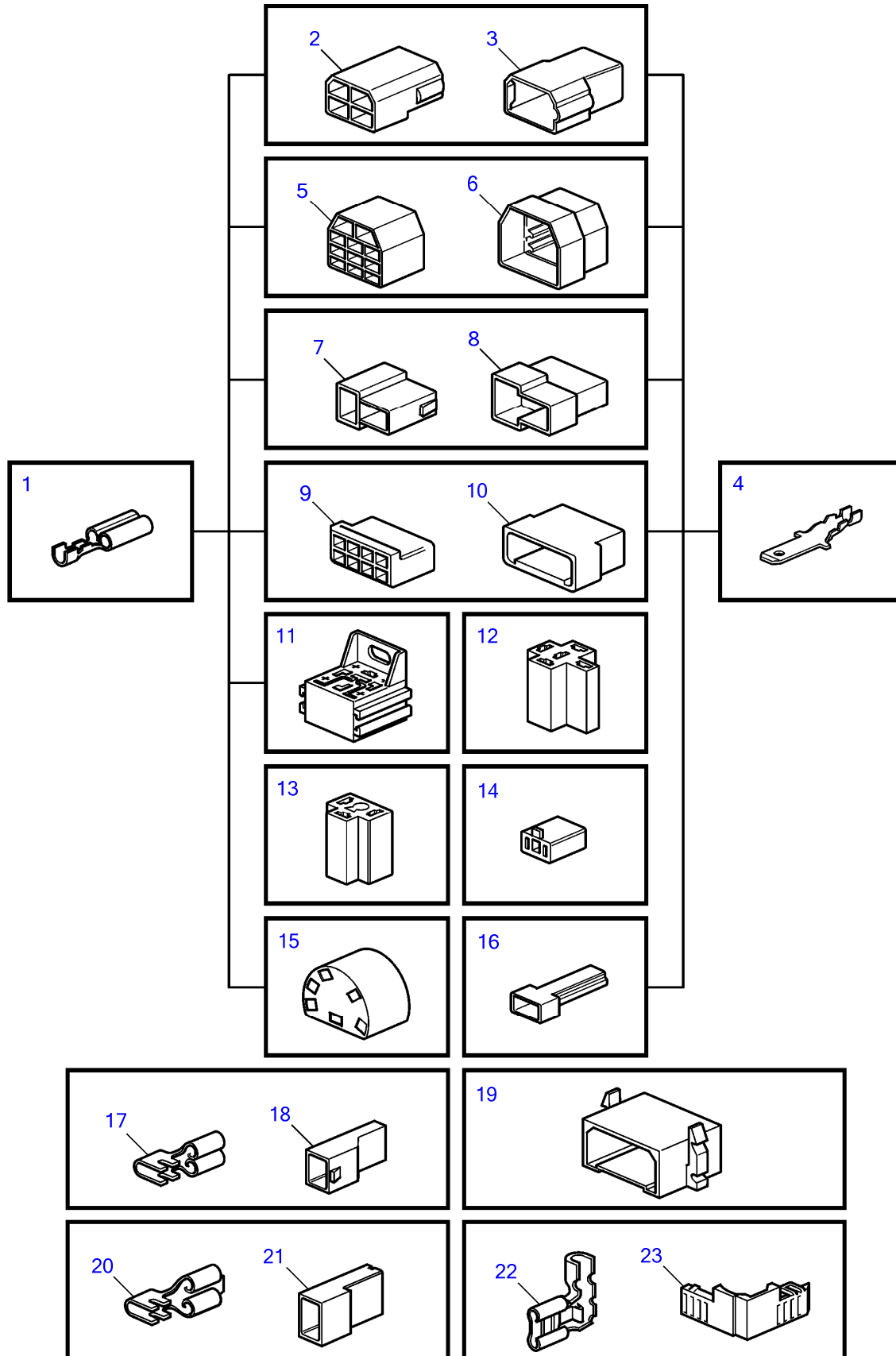
8.1IPSCE-JF, 8.1IPSCE-MF



24397

8.1IPSCE-MF





8.1IPSCE-JF, 8.1IPSCE-MF

REF	PART NO.	QTY	DESCRIPTION	NOTES
1	3861077	1	Exhaust pipe elbow	
2	3862150	1	Gasket	
3	984699	4	Hexagon screw	
4	942551	8	Washer	
5	424830	1	Sealing ring	
6	3819212	2	Flange	
7	942551	4	Washer	
8	984698	4	Hexagon screw	
9	3594002	1	Exhaust pipe	For standard (335mm) jackshaft
10		2	Clamp	not sold separately
11		2	Hose	not sold separately
12	3863443	4	Hose clamp	

DESCRIPTION	SEE SEC.	NOTES
Maintenance Parts, 8.1L	54161213	8.1IPSE-KF

DESCRIPTION	SEE SEC.	NOTES
Fuel System	54158448	8.1IPSCE-JF, 8.1IPSCE-MF

REF	DESCRIPTION	SEE SEC.
280	General, Ignition and Control System	280
284	Control System, Fuel Supply	284

CLICK HERE TO **DOWNLOAD** THE COMPLETE MANUAL

- Thank you very much for reading the preview of the manual.
- You can download the complete manual from: www.heydownloads.com by clicking the link below



- Please note: If there is no response to CLICKING the link, please download this PDF first and then click on it.

CLICK HERE TO **DOWNLOAD** THE COMPLETE MANUAL