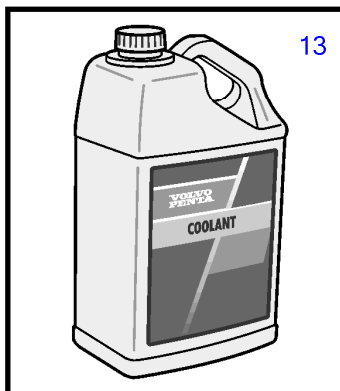
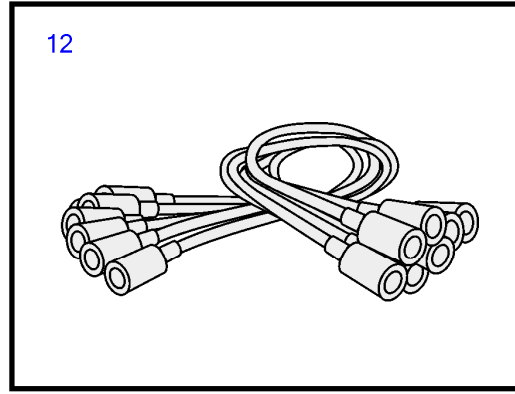
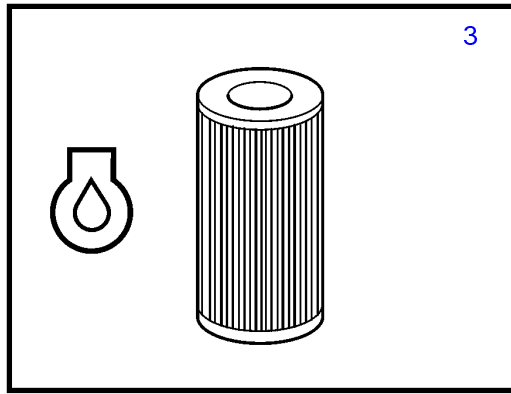
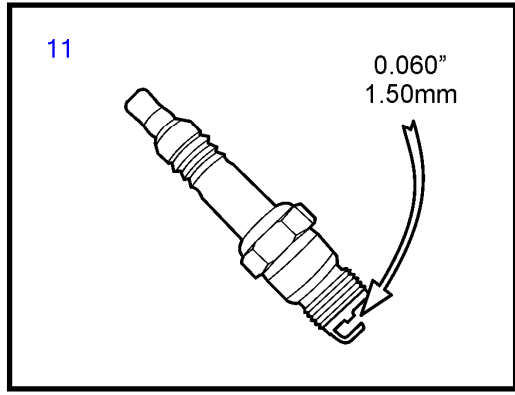
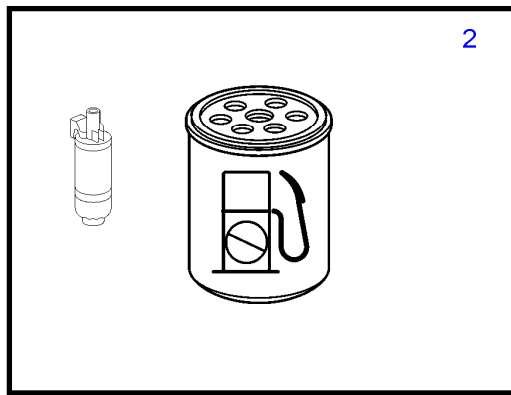
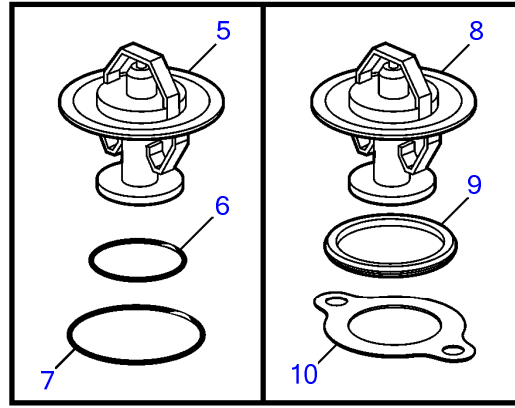
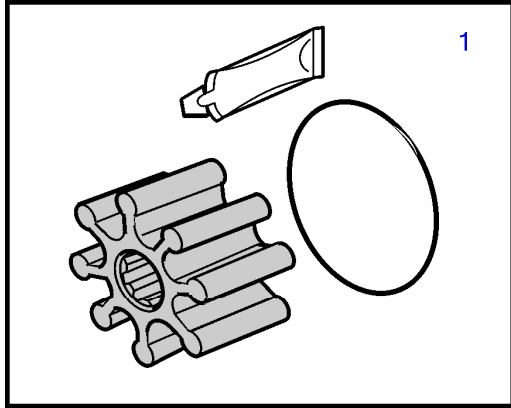


8.1GiCE-P, 8.1GiCE-Q



25147

CLICK HERE TO **DOWNLOAD** THE COMPLETE MANUAL

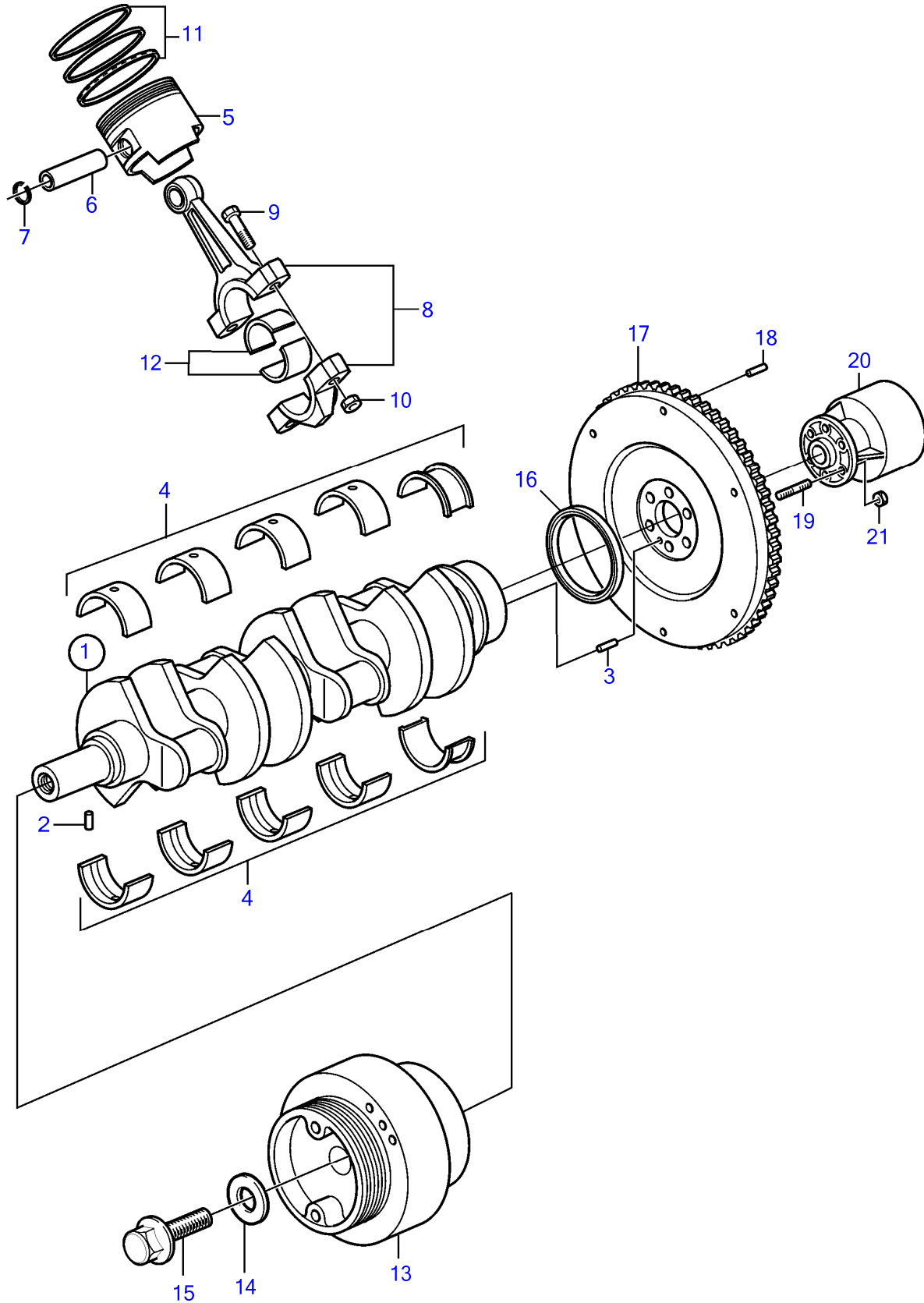
- Thank you very much for reading the preview of the manual.
- You can download the complete manual from: www.heydownloads.com by clicking the link below



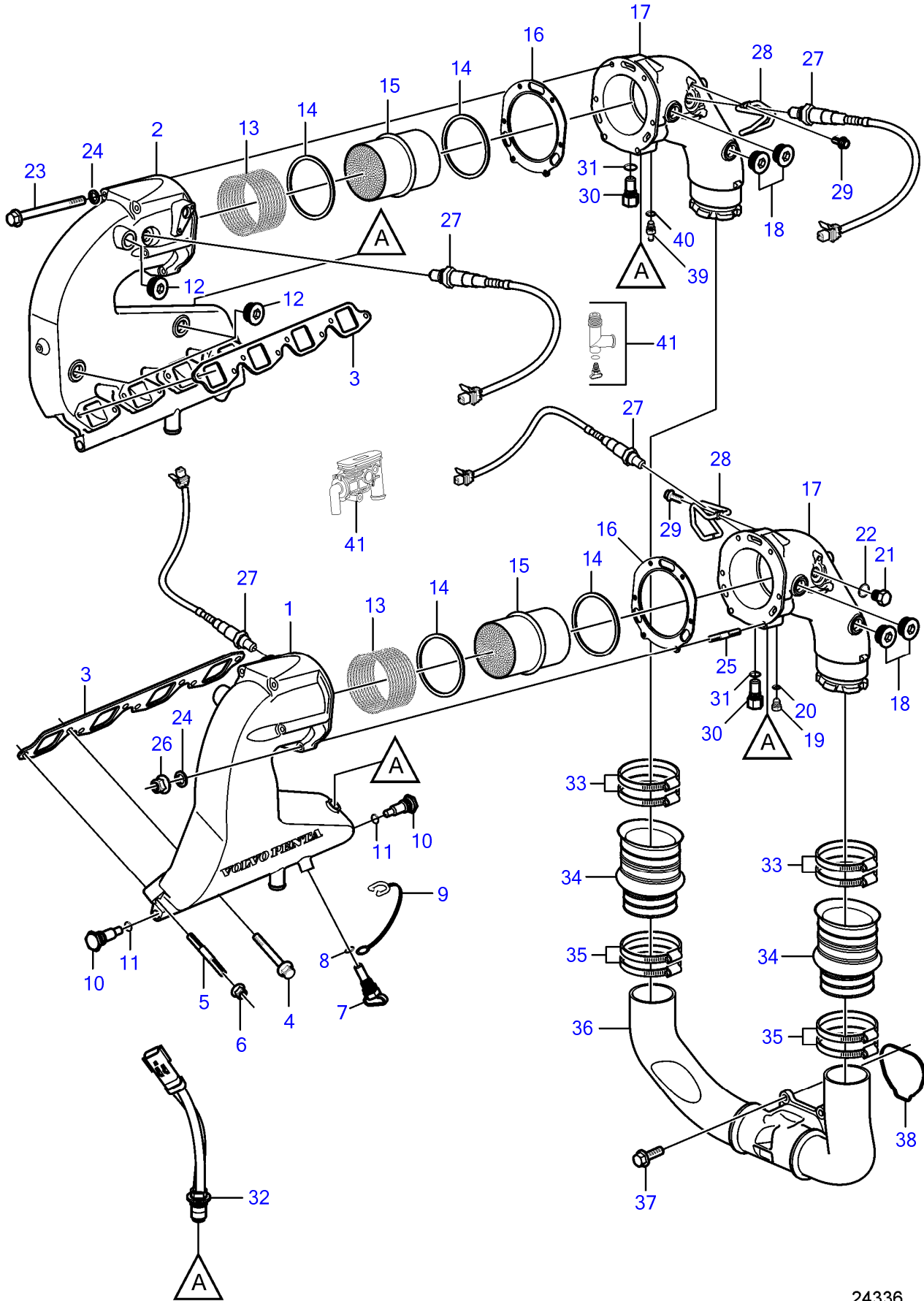
- Please note: If there is no response to CLICKING the link, please download this PDF first and then click on it.

CLICK HERE TO **DOWNLOAD** THE COMPLETE MANUAL

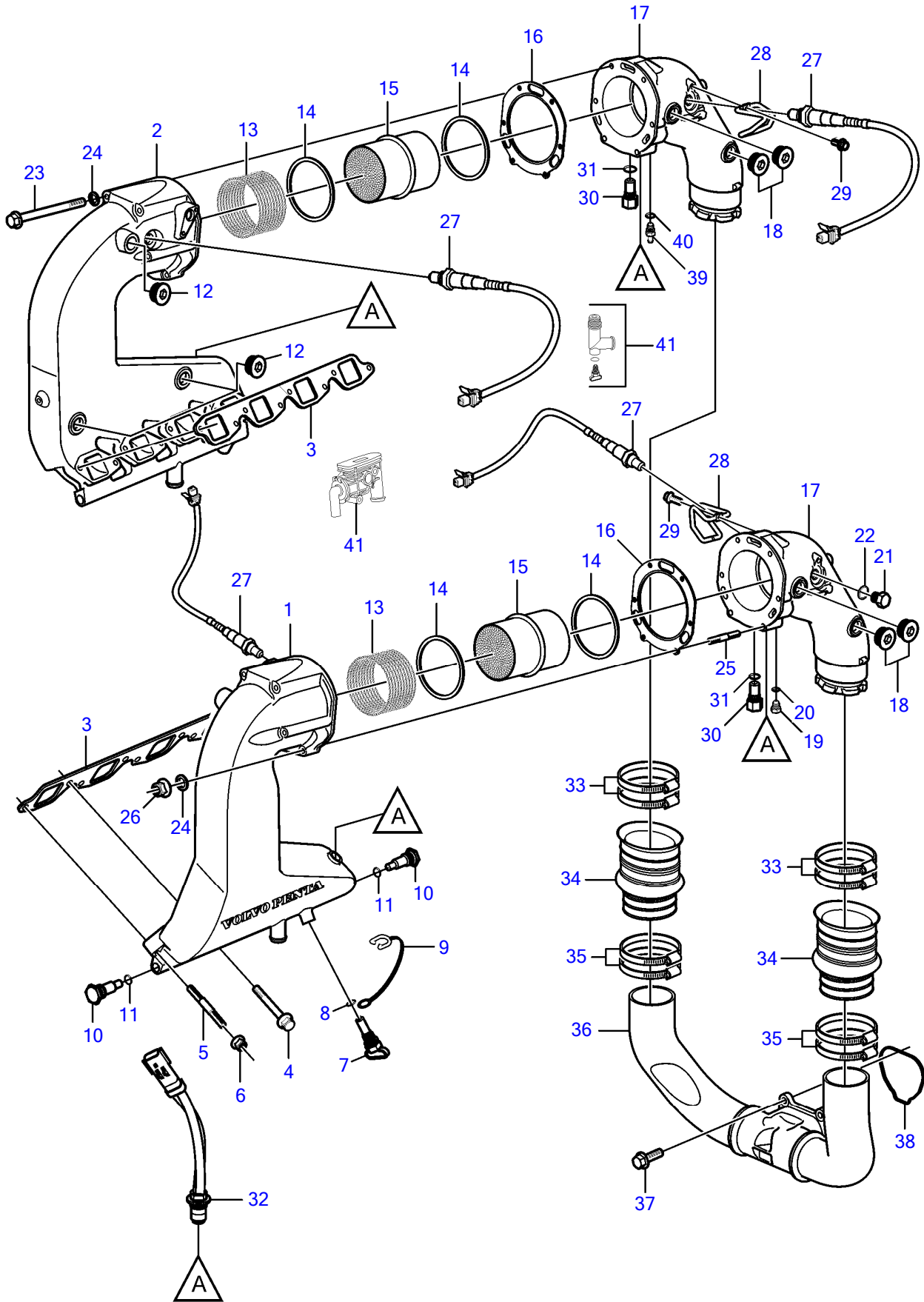
8.1GiCE-P, 8.1GiCE-Q



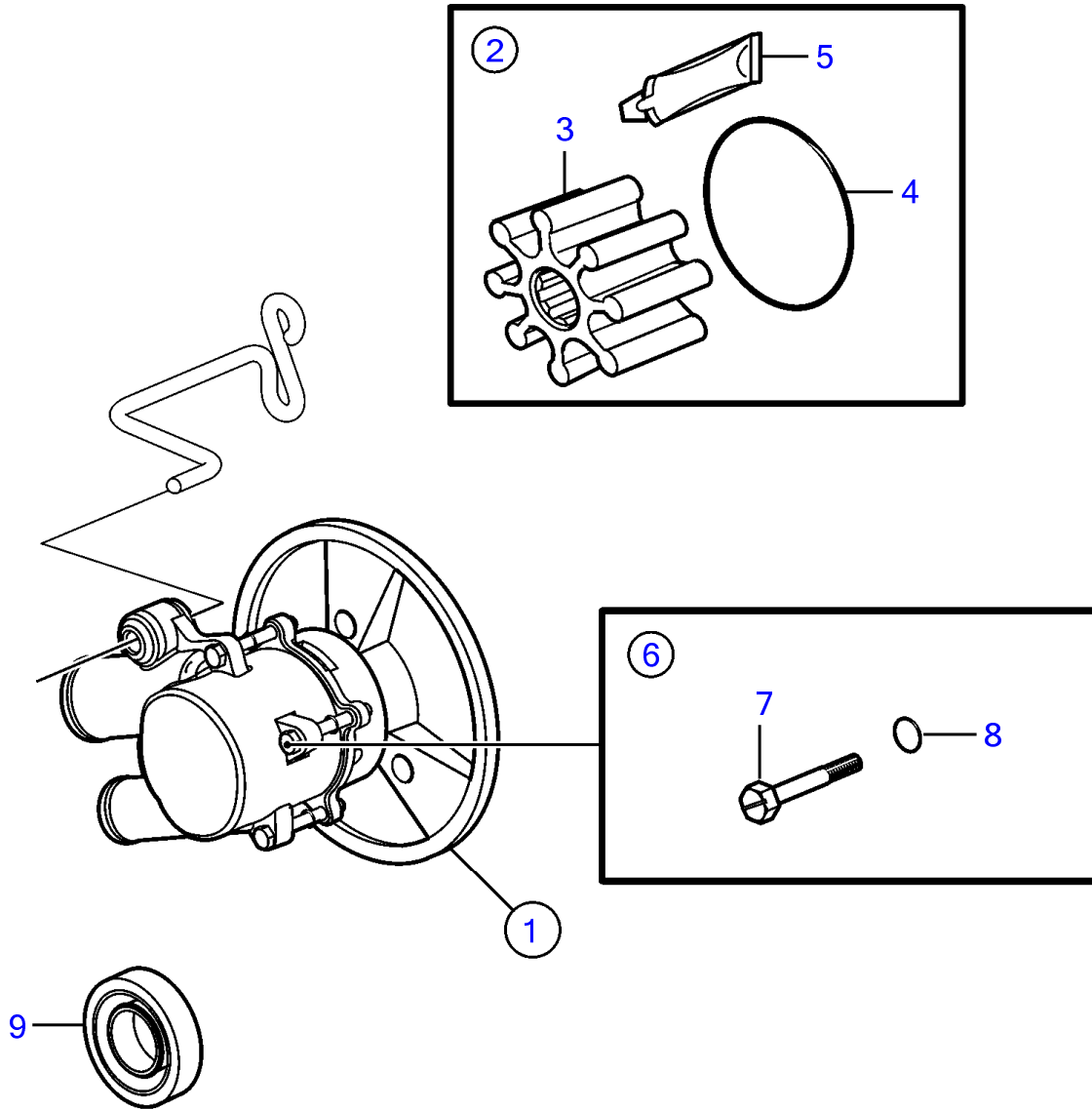
8.1GiCE-P, 8.1GiCE-Q



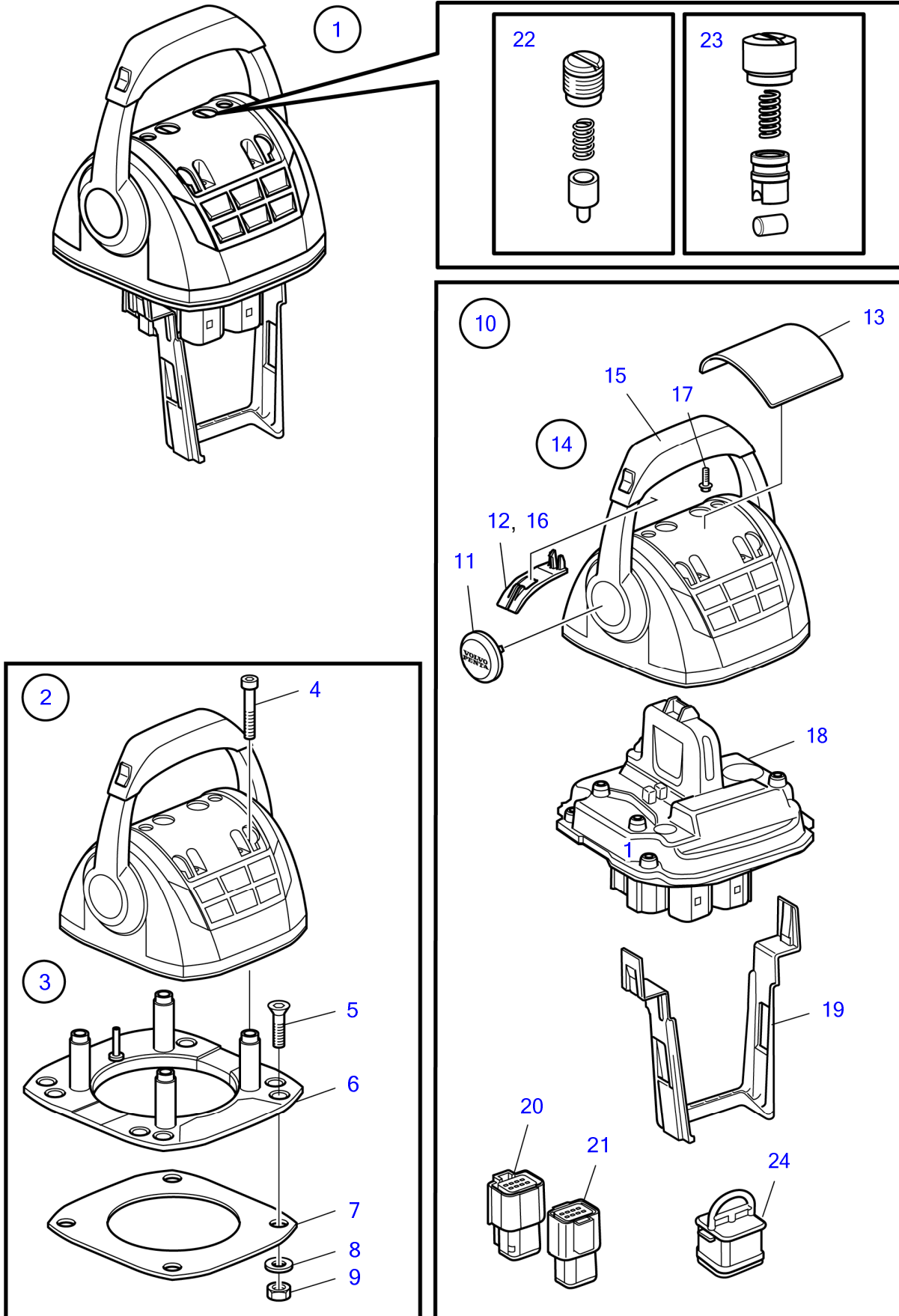
8.1GiCE-P, 8.1GiCE-Q



8.1GiCE-P, 8.1GiCE-Q



8.1GiCE-P, 8.1GiCE-Q



30464

CLICK HERE TO **DOWNLOAD** THE COMPLETE MANUAL

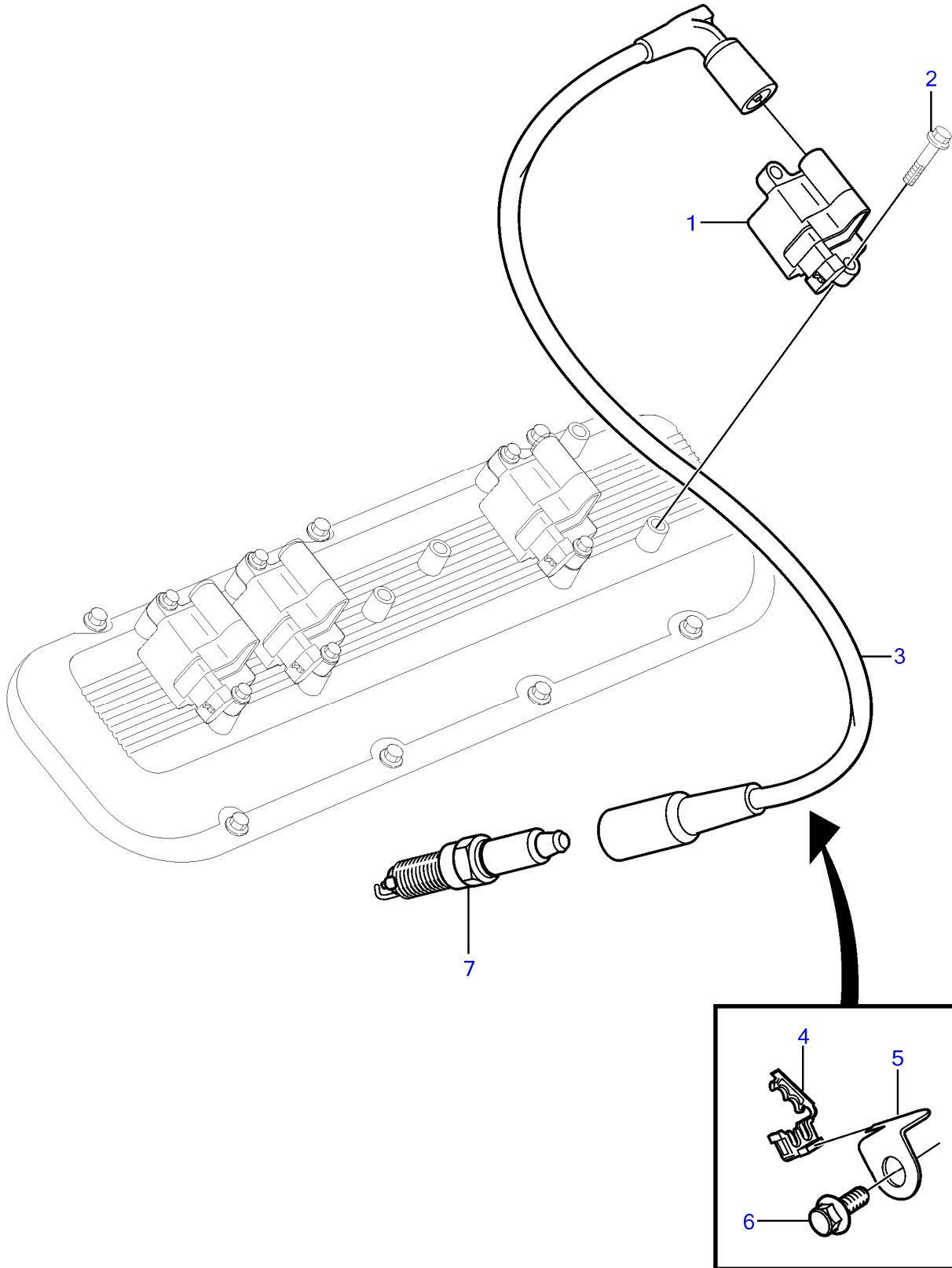
- Thank you very much for reading the preview of the manual.
- You can download the complete manual from: www.heydownloads.com by clicking the link below



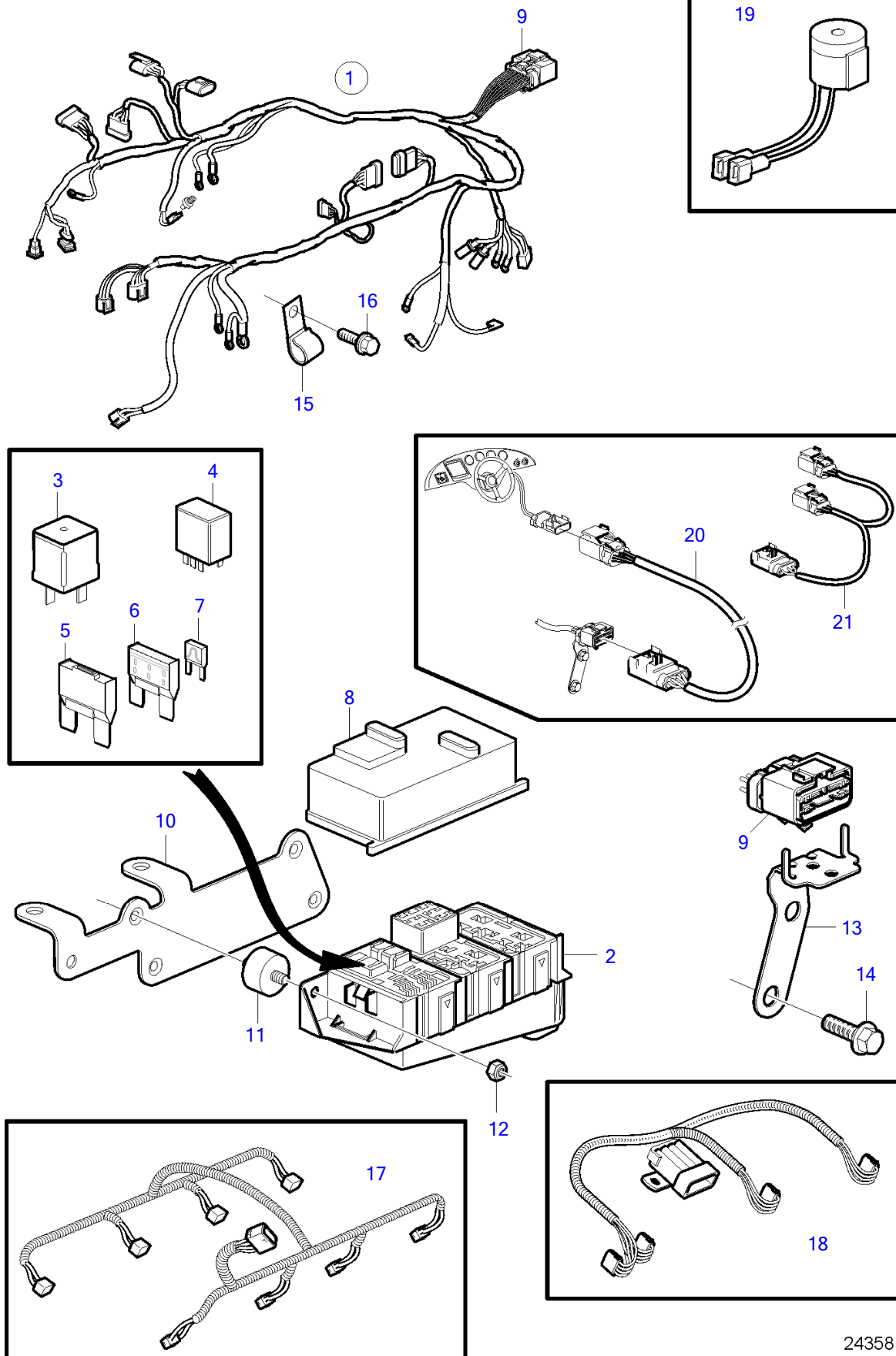
- Please note: If there is no response to CLICKING the link, please download this PDF first and then click on it.

CLICK HERE TO **DOWNLOAD** THE COMPLETE MANUAL

8.1GiCE-P, 8.1GiCE-Q

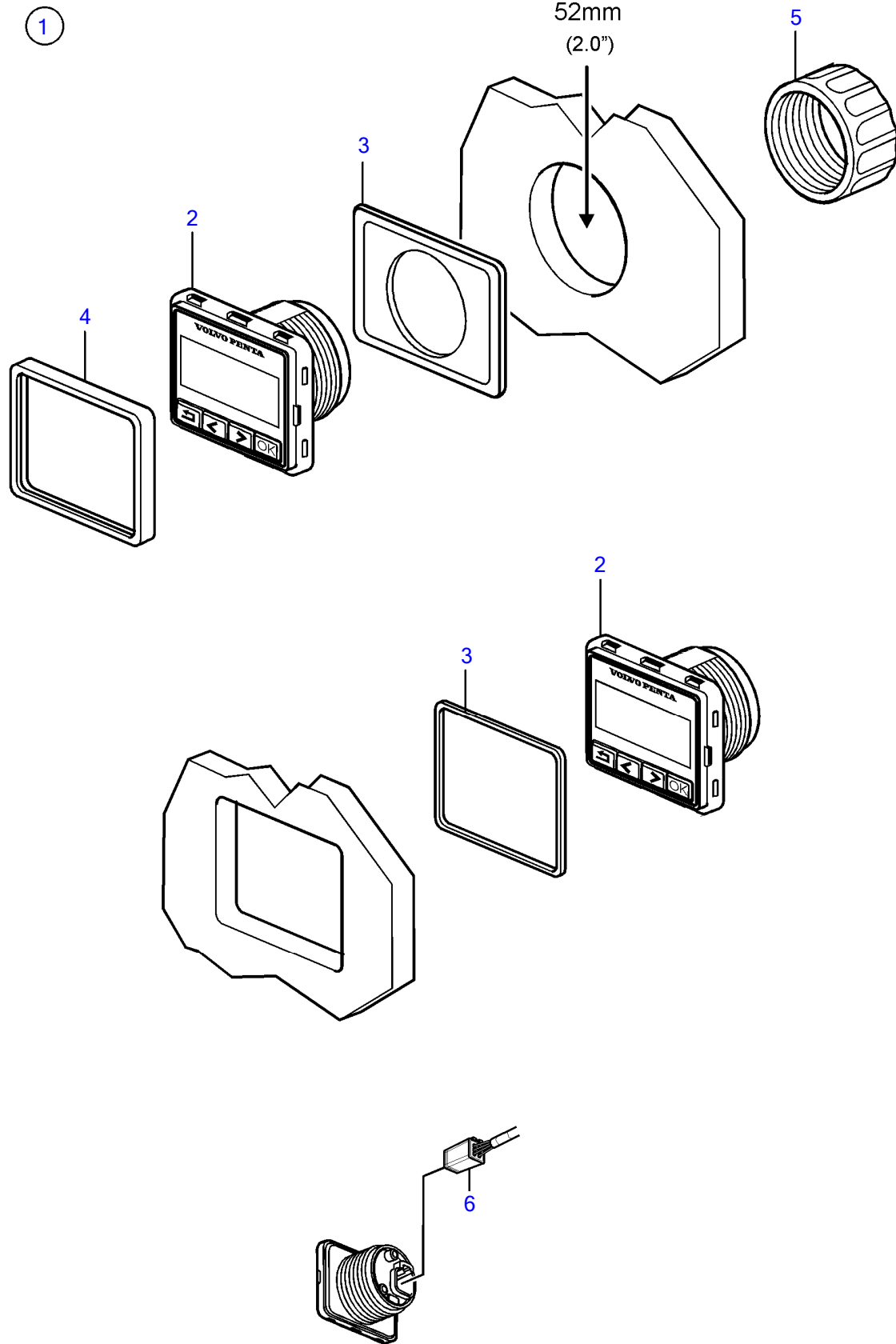


8.1GiCE-P, 8.1GiCE-Q

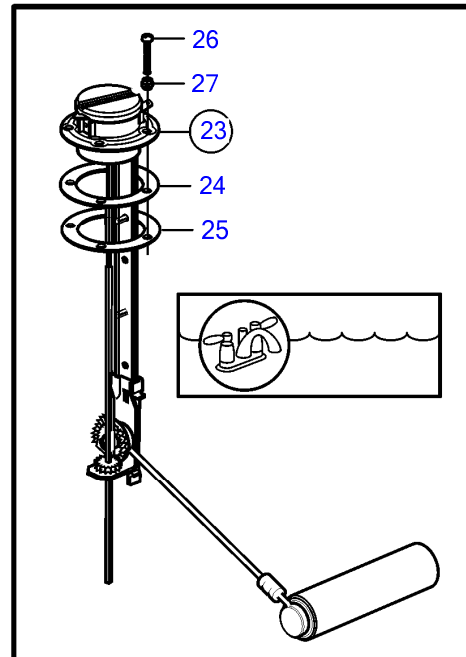
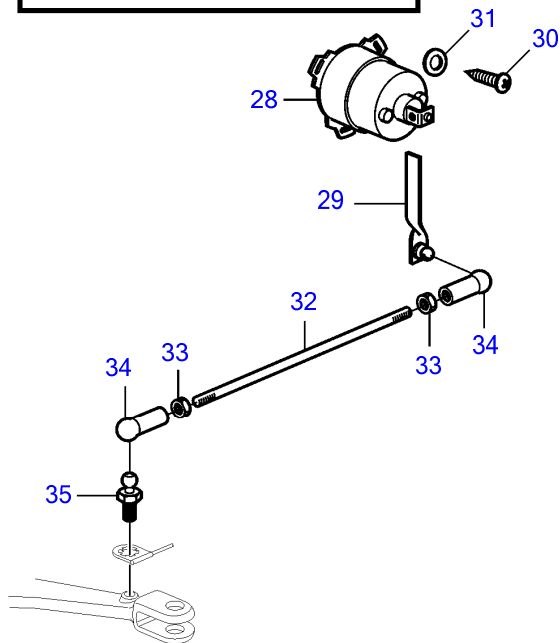
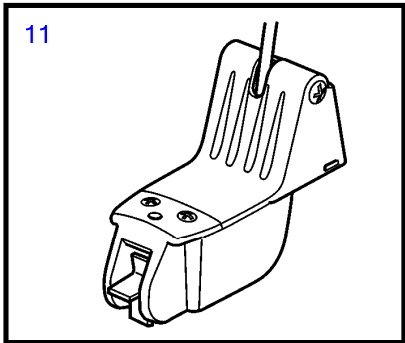
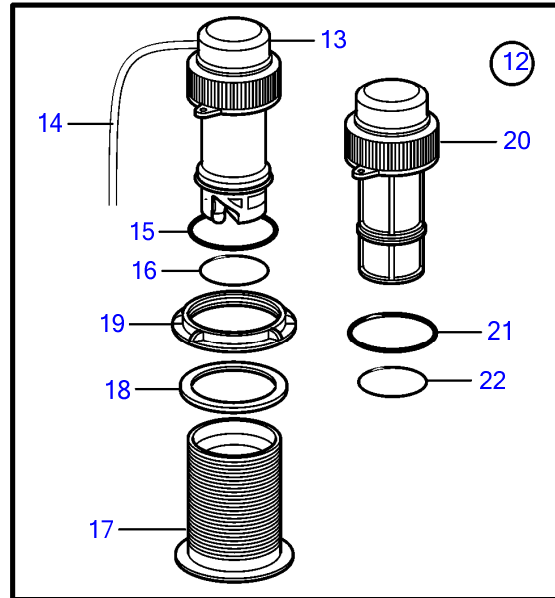
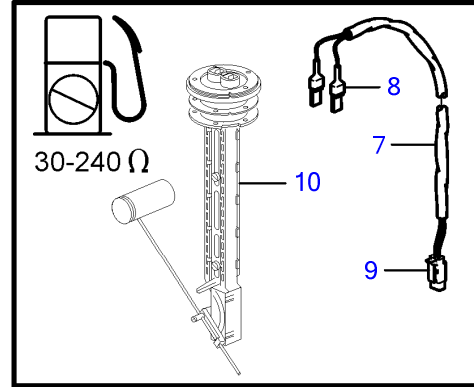
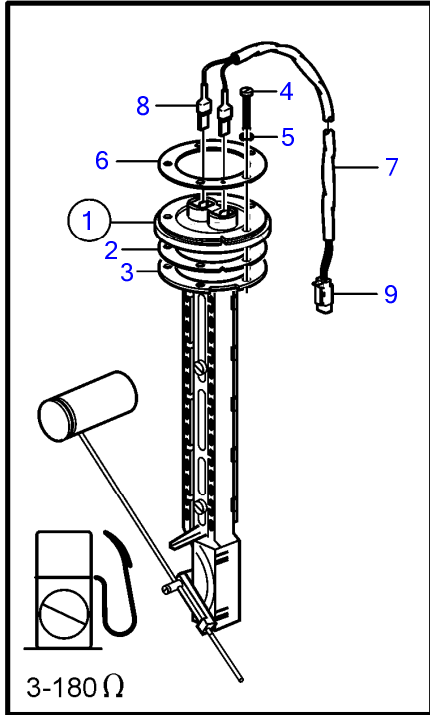


24358

8.1GiCE-P, 8.1GiCE-Q

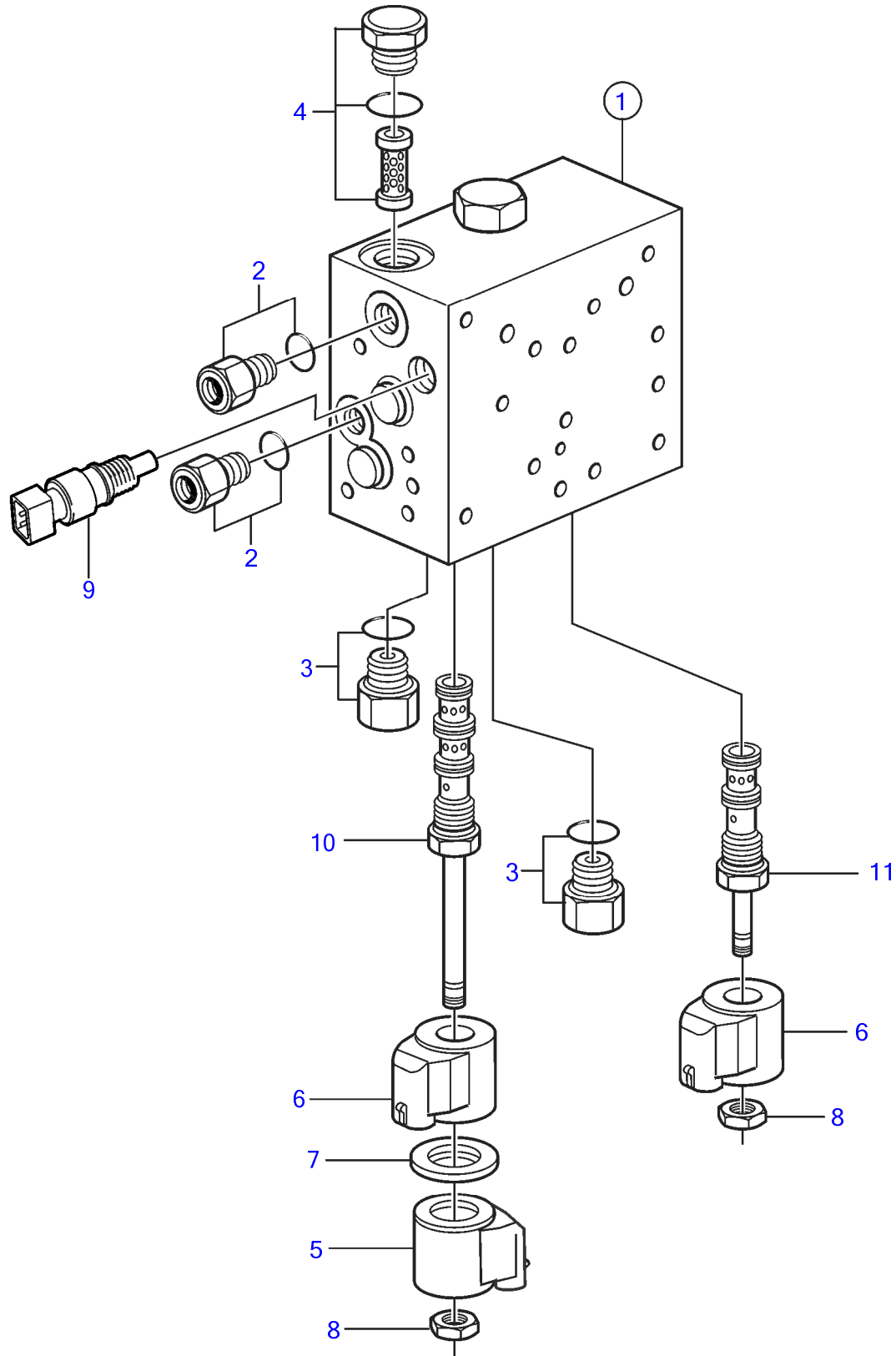


8.1GiCE-P, 8.1GiCE-Q



24017

8.1GiCE-P, 8.1GiCE-Q



DESCRIPTION	SEE SEC.	NOTES
Cylinder Head	54158442	8.1GiCE-P, 8.1GiCE-Q

DESCRIPTION	SEE SEC.	NOTES
Throttle Body and Engine Cover	54160240	8.1GiCE-P, 8.1GiCE-Q

DESCRIPTION	SEE SEC.	NOTES
Electronic Engine Control	54161369	8.1GiCE-P, 8.1GiCE-Q

CLICK HERE TO **DOWNLOAD** THE COMPLETE MANUAL

- Thank you very much for reading the preview of the manual.
- You can download the complete manual from: www.heydownloads.com by clicking the link below



- Please note: If there is no response to CLICKING the link, please download this PDF first and then click on it.

CLICK HERE TO **DOWNLOAD** THE COMPLETE MANUAL