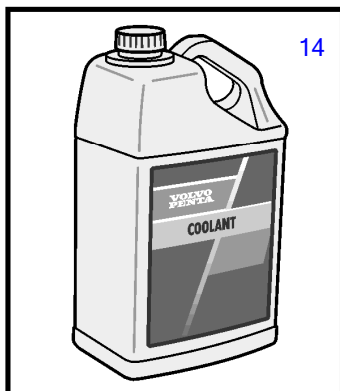
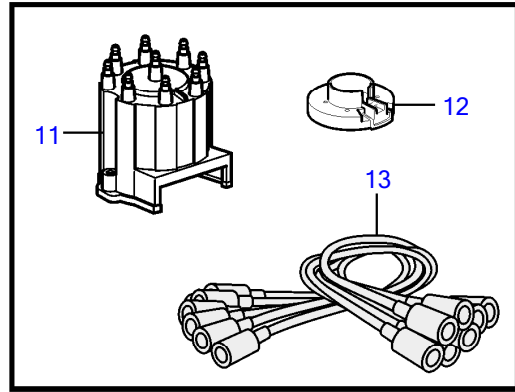
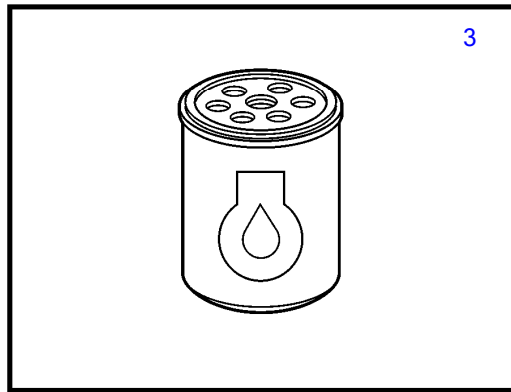
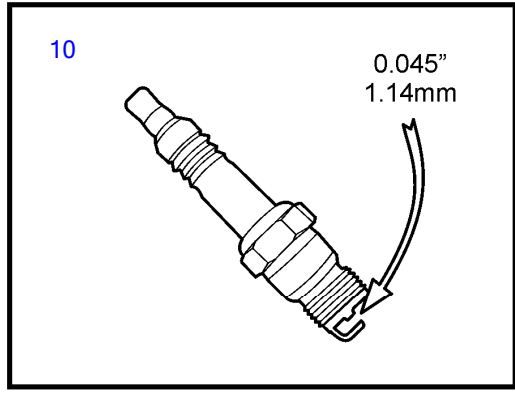
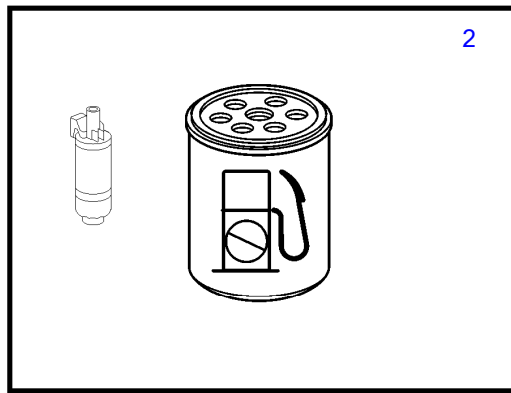
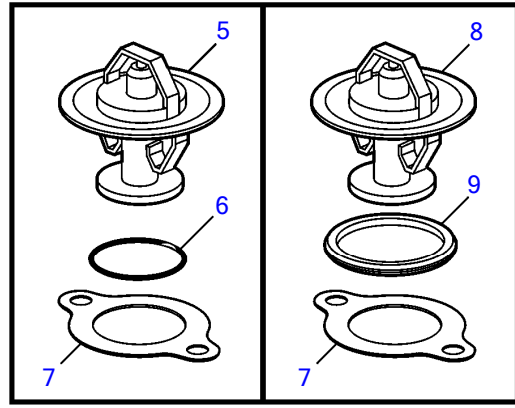
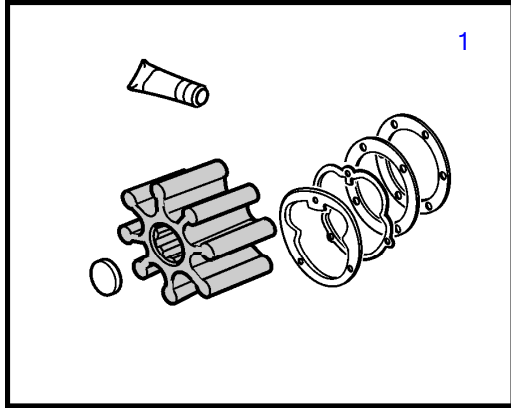


7.4GIIHUBCE, 7.4GIPNCMCE



25911

CLICK HERE TO **DOWNLOAD** THE COMPLETE MANUAL

- Thank you very much for reading the preview of the manual.
- You can download the complete manual from: www.heydownloads.com by clicking the link below



- Please note: If there is no response to CLICKING the link, please download this PDF first and then click on it.

CLICK HERE TO **DOWNLOAD** THE COMPLETE MANUAL

7.4GSIXNCM

REF	PART NO.	QTY	DESCRIPTION	NOTES
1	3855029	1	Base engine	
	3856688	1	Base engine	
2	(3855045)	8	Piston, standard	
	(3855047)	1	Piston, 0.030 in. os	
3	3855039	1	Piston ring kit, standard	
	3855040	1	Piston ring kit, 0.030 in. os	
4	(3853113)	2	Locating pin, flywheel housing	
5	(3856881)	1	Bearing kit	
	(3855973)	1	• Bearing, camshaft, #1	
6	(3855974)	2	• Bearing, camshaft, #2 & rear	
7	(3855975)	2	• Bearing, cam #3 & #4	
8	3852100	1	Core plug, engine block	
9	3853348	1	Core plug, camshaft bearing	Rear
10	3852471	10	Plug, oil gallery	
11	3852471	3	Plug, oil gallery, front	
12	(3853344)	4	Locating pin, cylinder head	
13	3853213	4	Pin, front cover	
14	3853134	5	Nut, oil pan baffle	
15	3853541	4	Bearing, bearing cap	
16	(3853500)	10	Bolt, bearing cap, outer	
	3853501	6	Bolt, bearing cap, inner	
17	(3856880)	1	Bearing kit, standard	
	3853541	1	• Bearing, standard, main thrust	
	3853542	1	• Bearing, standard, main, #1	
	3855986	3	• Bearing, standard, main, #2, 3, & 4	
18	(3853355)	8	Connecting rod	
19	3853365	16	Nut, connecting rod	
20	3853356	16	Bolt, connecting rod	
21	3853540	8	Bearing, rod, standard	
22	(3853357)	5	Washer, oil pan baffle	
23	3853528	1	Crankshaft seal, rear main	
24	(3855050)	1	Crankshaft	
	3853527	1	Woodruff key, crankshaft	Not shown
25	3853200	1	Pin, flywheel dowel	
26	3853538	1	O-ring, rear main bearing cap	
27	3852007	1	Washer, retainer, oil pan drain	
28	3853674	1	O-ring, retainer, oil pan drain	
29	(3852694)	1	Retainer, oil pan drain	
30	(3853588)	1	Oscillation damper, torsional	
31	(3853506)	1	Chain, camshaft timing	
32	(3854112)	1	Valve, engine block	
33	(3853359)	1	Stud, oil pump & screen	
34	3852097	1	Connector, oil filter adapter	
35	(3853508)	1	Timing gear casing, timing	
36	3853360	1	Seal, front cover	
37	(3853512)	1	Gasket, timing cover	
38	(3854016)	1	Camshaft	GSi
39	3853213	1	Pin, camshaft sprocket	
40	3852465	1	Bushing, sender, oil pressure	
41	3852441	6	Screw, timing cover	
42	3852610	1	T-nipple, oil pressure switch	
43	3855112	1	Fitting, oil pan drain	
44	(3853362)	1	Sprocket, camshaft	
45	3854094	1	Flywheel	
	3853207	1	• Gear	
46	946471	2	Flange screw	
47	3851981	1	Washer, fitting to oil pan	
48	854185	1	Vibration damper, 290 DP	DPX
49	835482	6	Screw, torsional damper to flywheel	
50	942336	6	Spring washer, screw, damper to flywheel hsg	
51	3853173	3	Bolt, camshaft sprocket	
52	(3855035)	1	Oil pump	
	3853213	1	Pin, oil pump	Not shown

7797019-21-54160644

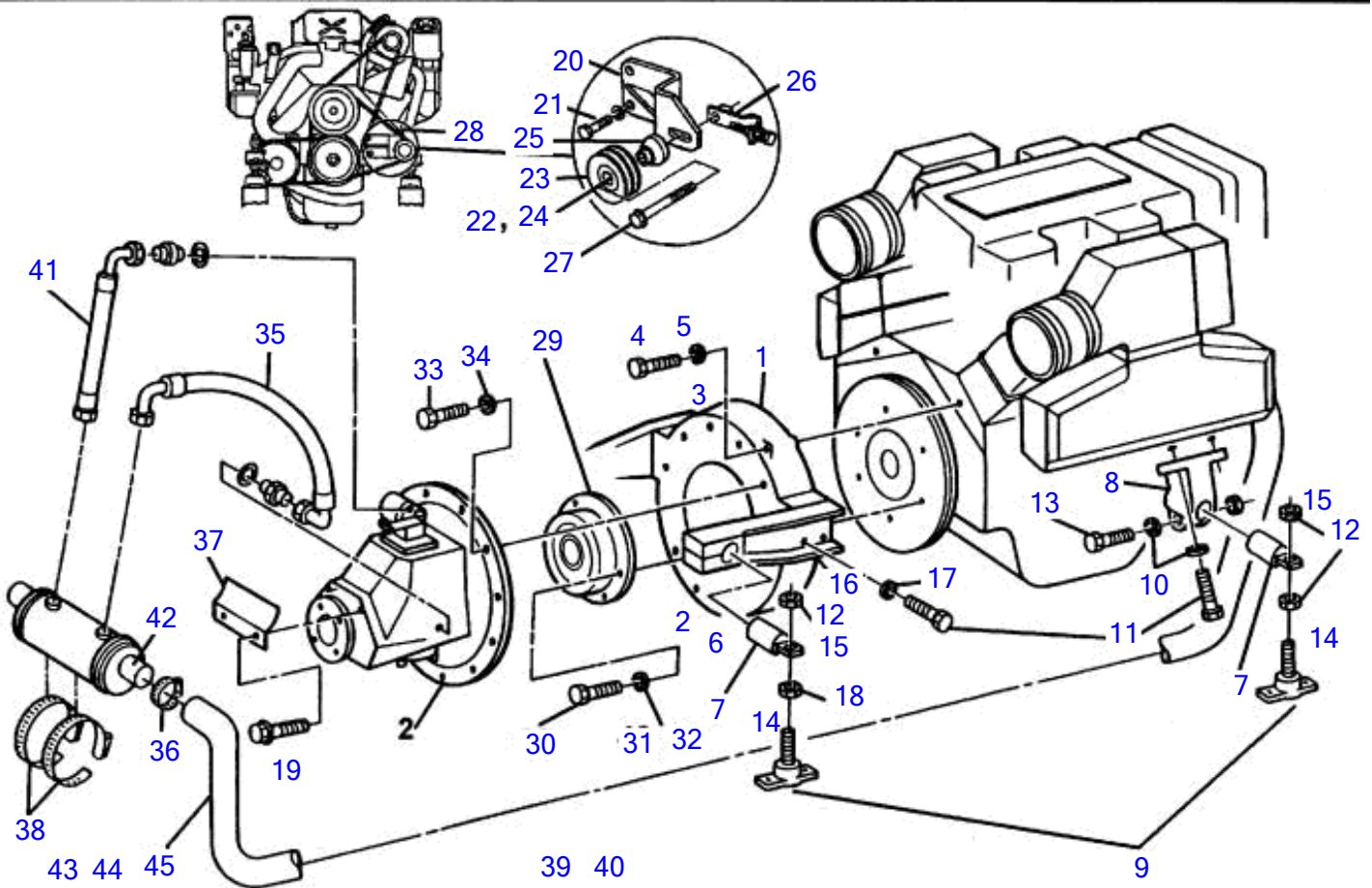
52660

Udp:7/31/2022

7.4GIIHUBCE, 7.4GIPNCMCE, 7.4GLIHUB, 7.4GLPNCM, 7.4GSIXNCM

VOLVO
PENTA

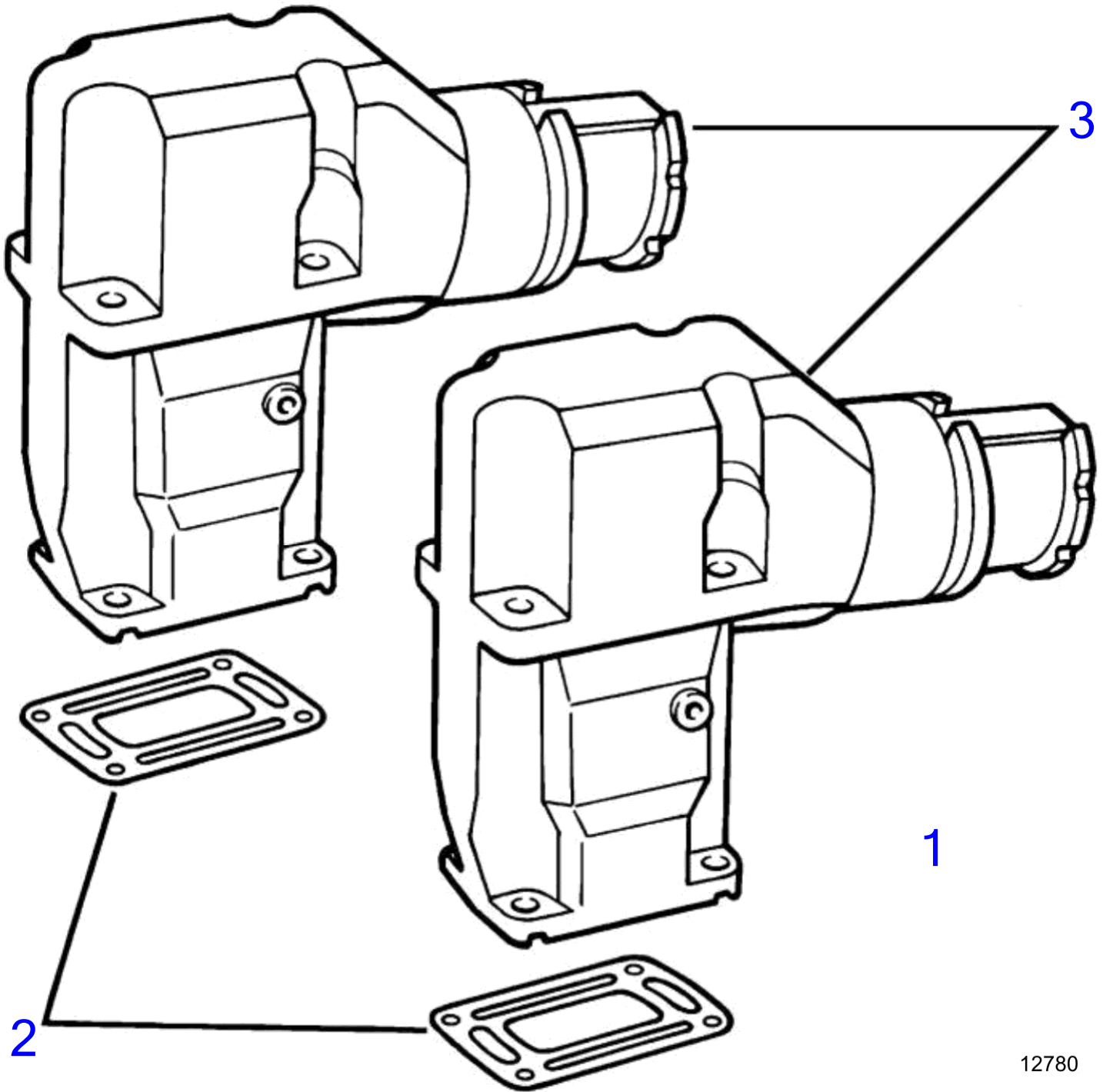
7.4GIIHUBCE, 7.4GLIHUB



7.4GLIHUB, 7.4GLPNCM

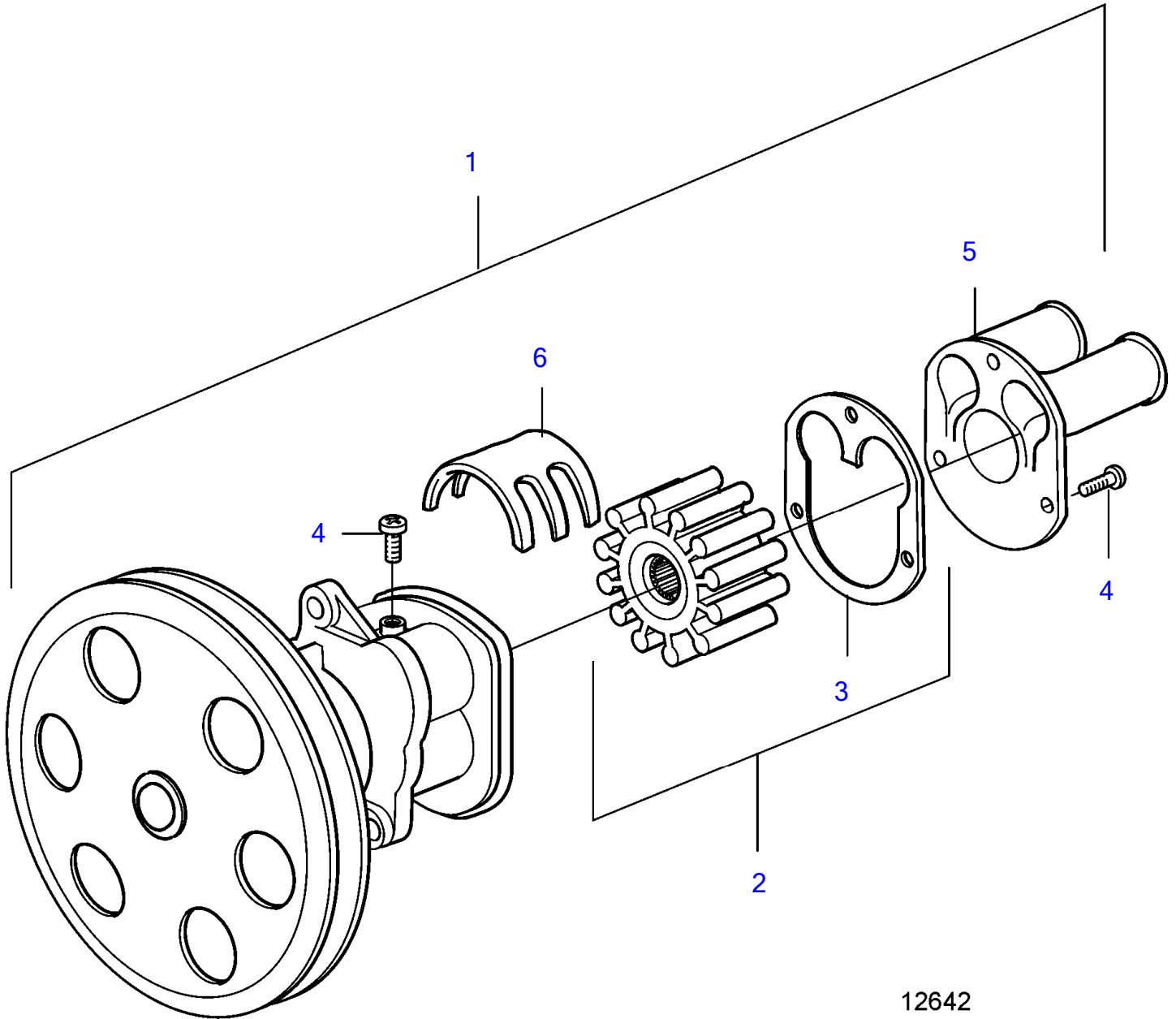
REF	PART NO.	QTY	DESCRIPTION	NOTES
61	3852158	1	Cable tie, engine cable to fuel pump assy	

7.4GIIHUBCE, 7.4GIPNCMCE, 7.4GLIHUB, 7.4GLPNCM, 7.4GSIXNCM

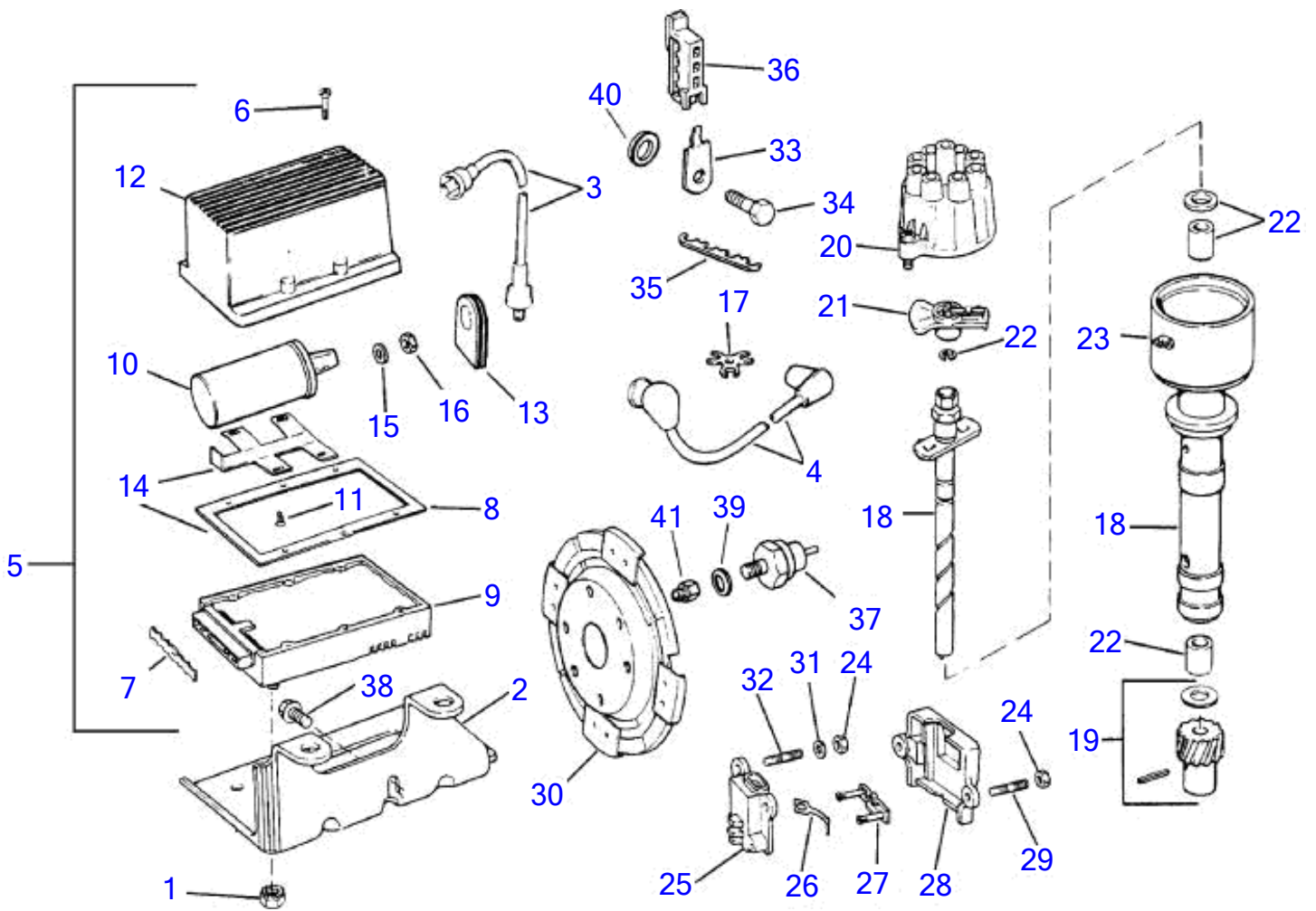


12780

7.4GIPNCMCE, 7.4GLPNCM, 7.4GSIXNCM



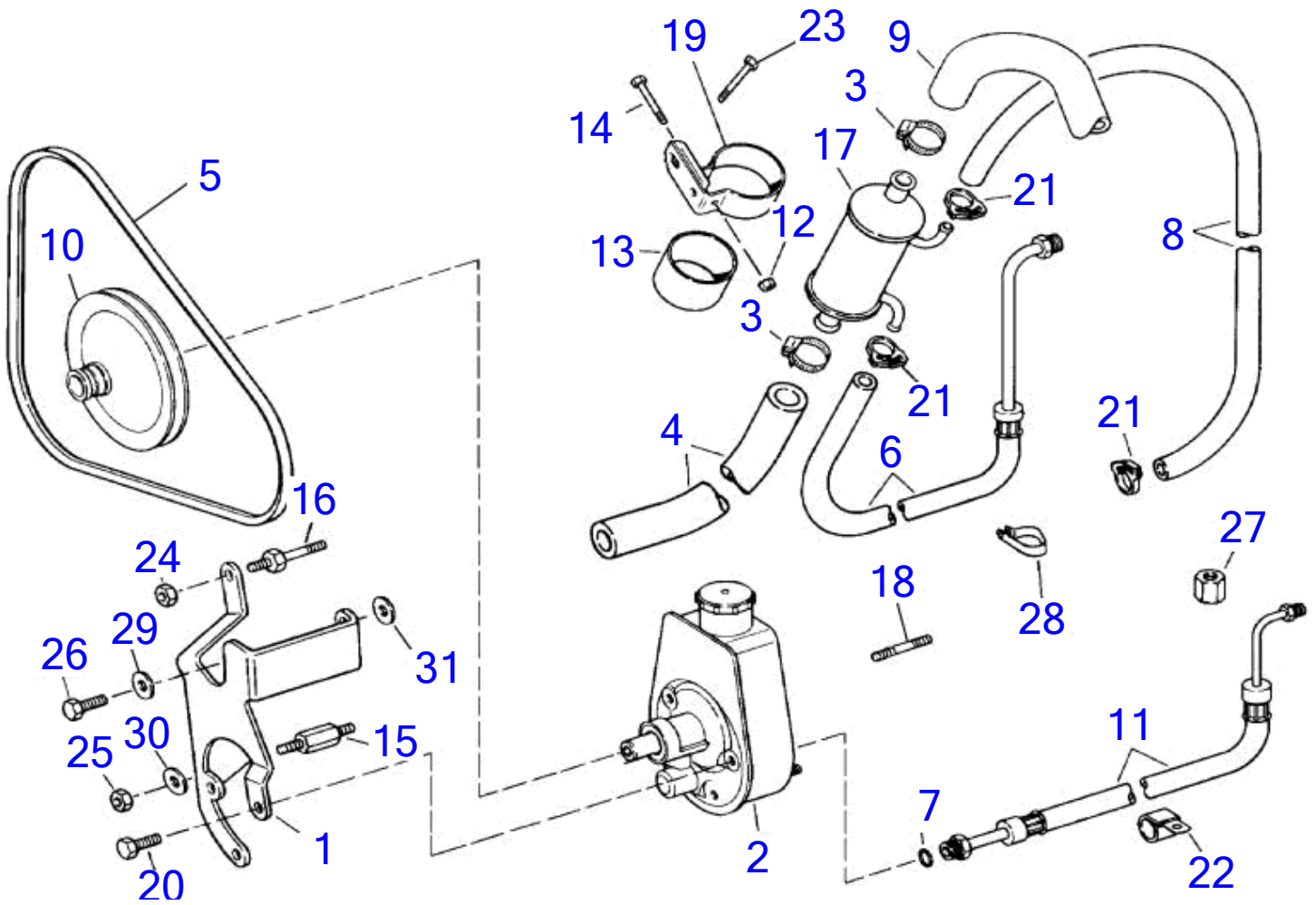
7.4GLPNCM



7.4GIIHUBCE, 7.4GIPNCMCE, 7.4GSIXNCM

REF	PART NO.	QTY	DESCRIPTION	NOTES
61	(3852237)	1	Retainer, amphenol., master / slave	
62	(3850455)	1	Bracket, circuit breaker & engine cable	
63	3853786	1	Hose clamp, engine cable end	
64	(3852064)	8	Nut, circuit breaker	
65	(3852208)	3	Screw, Retainer	Engine cable end
66	3853620	2	Hexagon screw, circuit breaker to bracket	Tilt & trim
67	3852118	1	Nut, relay to isolator	
68	3854164	1	Automatic fuse, 50A	Tilt & trim
	3854138	1	Relay, starter motor	
69	3854162	1	Automatic fuse, 12.5A, electronic engine control	
	3854186	1	Automatic fuse, 60A, engine	
70	(3852001)	8	Tab washer, circuit breaker	
71	(3852825)	1	Retainer, engine cable	
72	3850234	1	Rubber cushion, relay mounting	
	3854117	1	Cable, starter solenoid to fuel pump	Not shown
	(3855162)	1	Connector, shift connectors	Not shown

7.4GIPNCMCE, 7.4GLPNCM



CLICK HERE TO **DOWNLOAD** THE COMPLETE MANUAL

- Thank you very much for reading the preview of the manual.
- You can download the complete manual from: www.heydownloads.com by clicking the link below



- Please note: If there is no response to CLICKING the link, please download this PDF first and then click on it.

CLICK HERE TO **DOWNLOAD** THE COMPLETE MANUAL