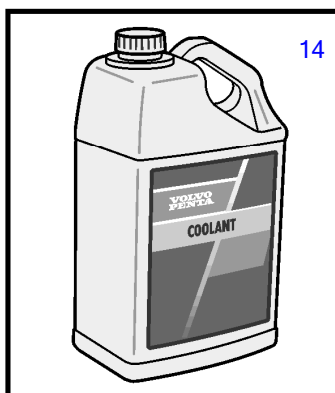
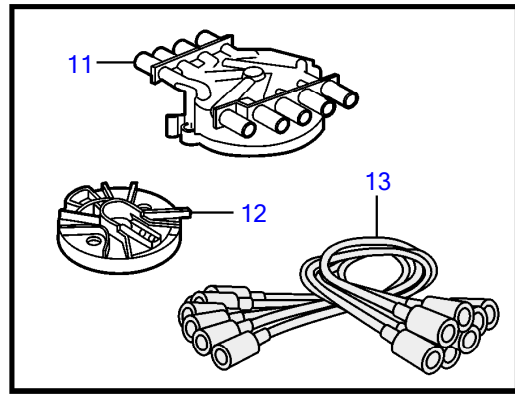
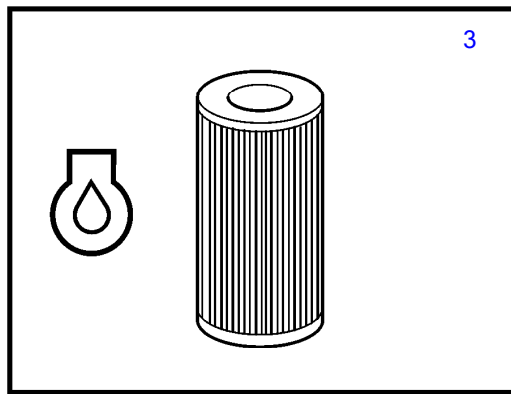
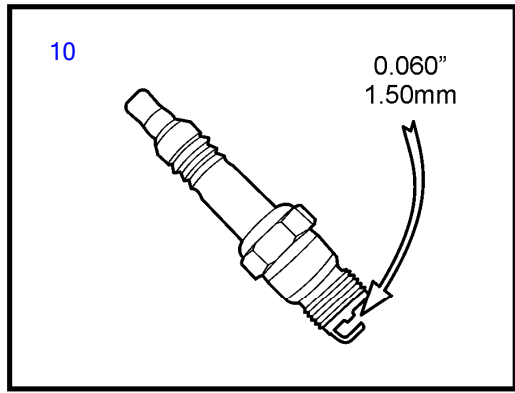
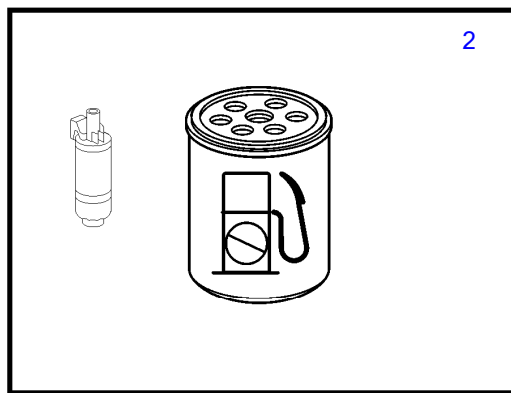
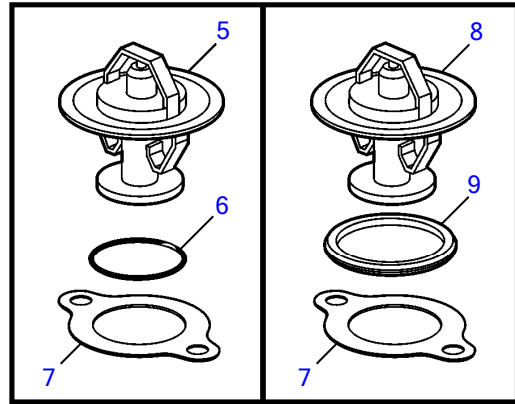


5.7GiC-300-J, 5.7GiC-300-JF, 5.7GXiC-J, 5.7GXiC-JF



25144

CLICK HERE TO **DOWNLOAD** THE COMPLETE MANUAL

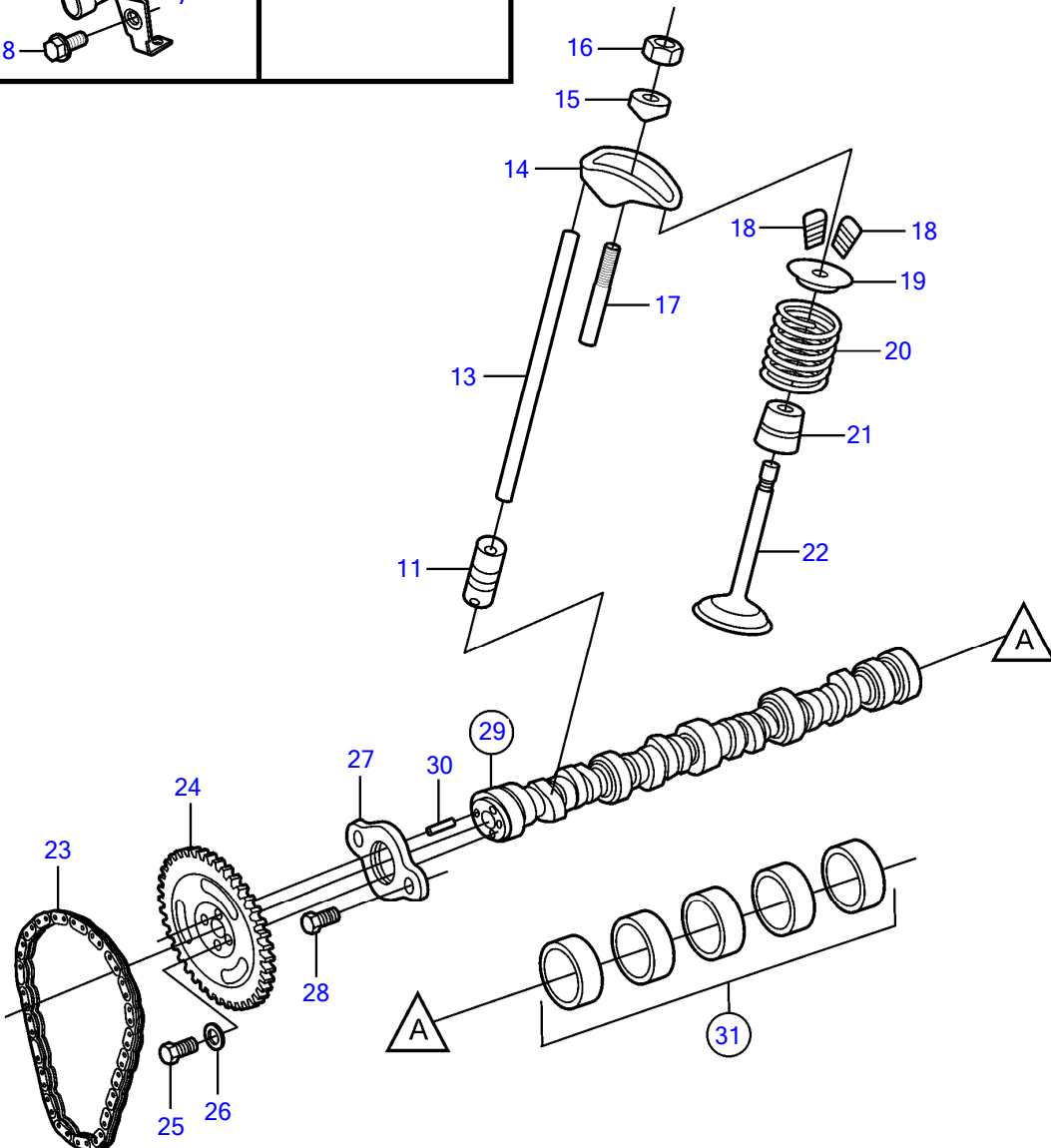
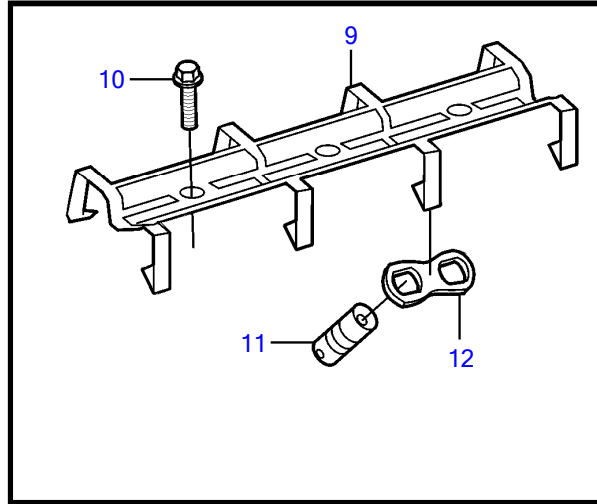
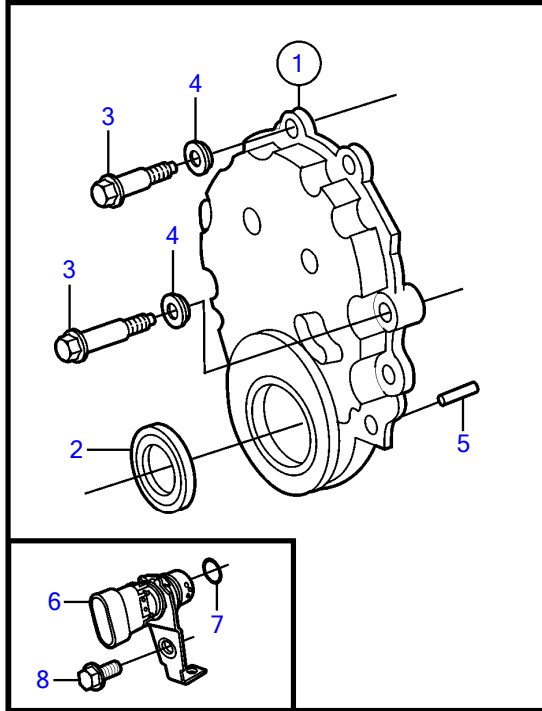
- Thank you very much for reading the preview of the manual.
- You can download the complete manual from: www.heydownloads.com by clicking the link below



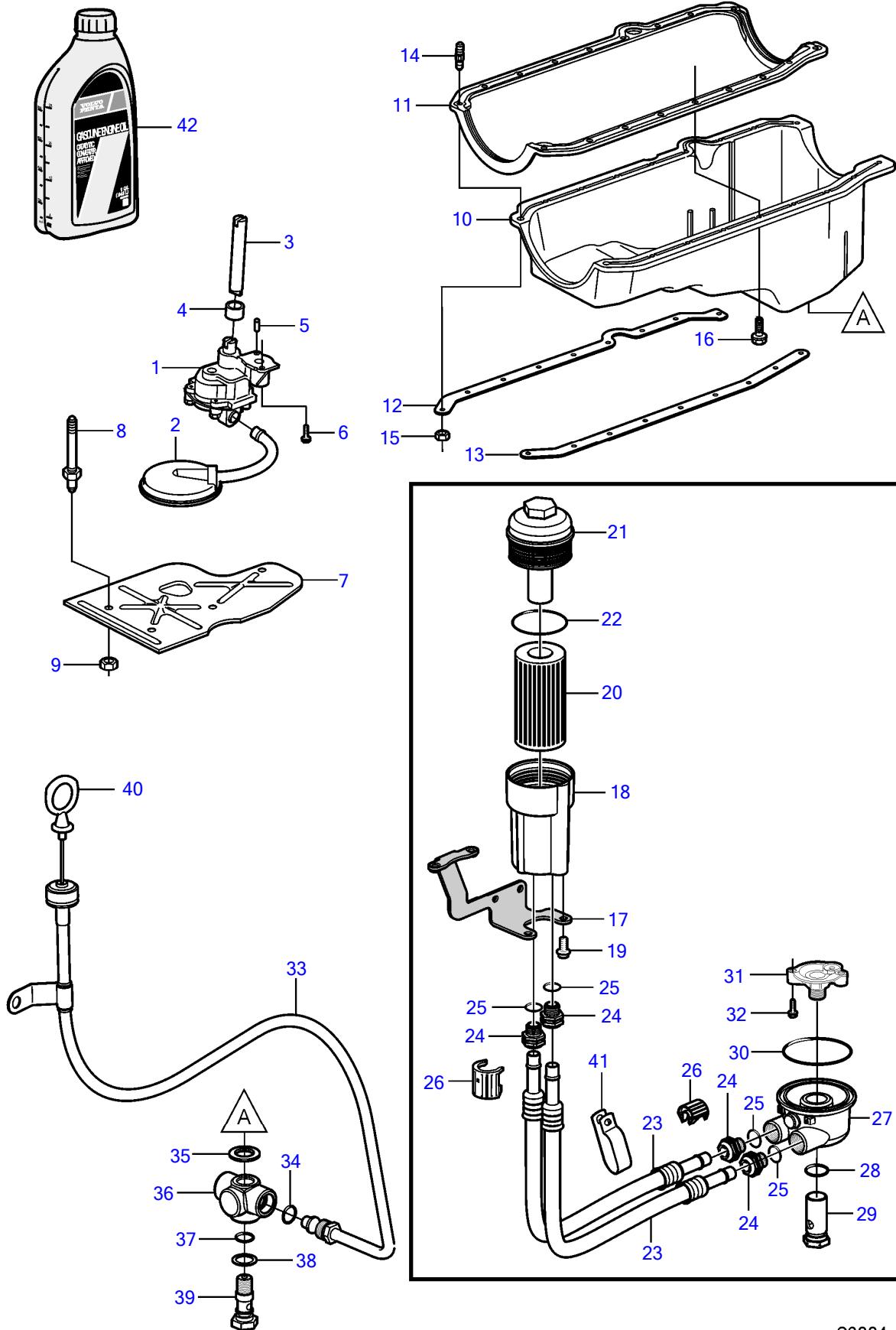
- Please note: If there is no response to CLICKING the link, please download this PDF first and then click on it.

CLICK HERE TO **DOWNLOAD** THE COMPLETE MANUAL

5.7GXIC-J, 5.7GXIC-JF

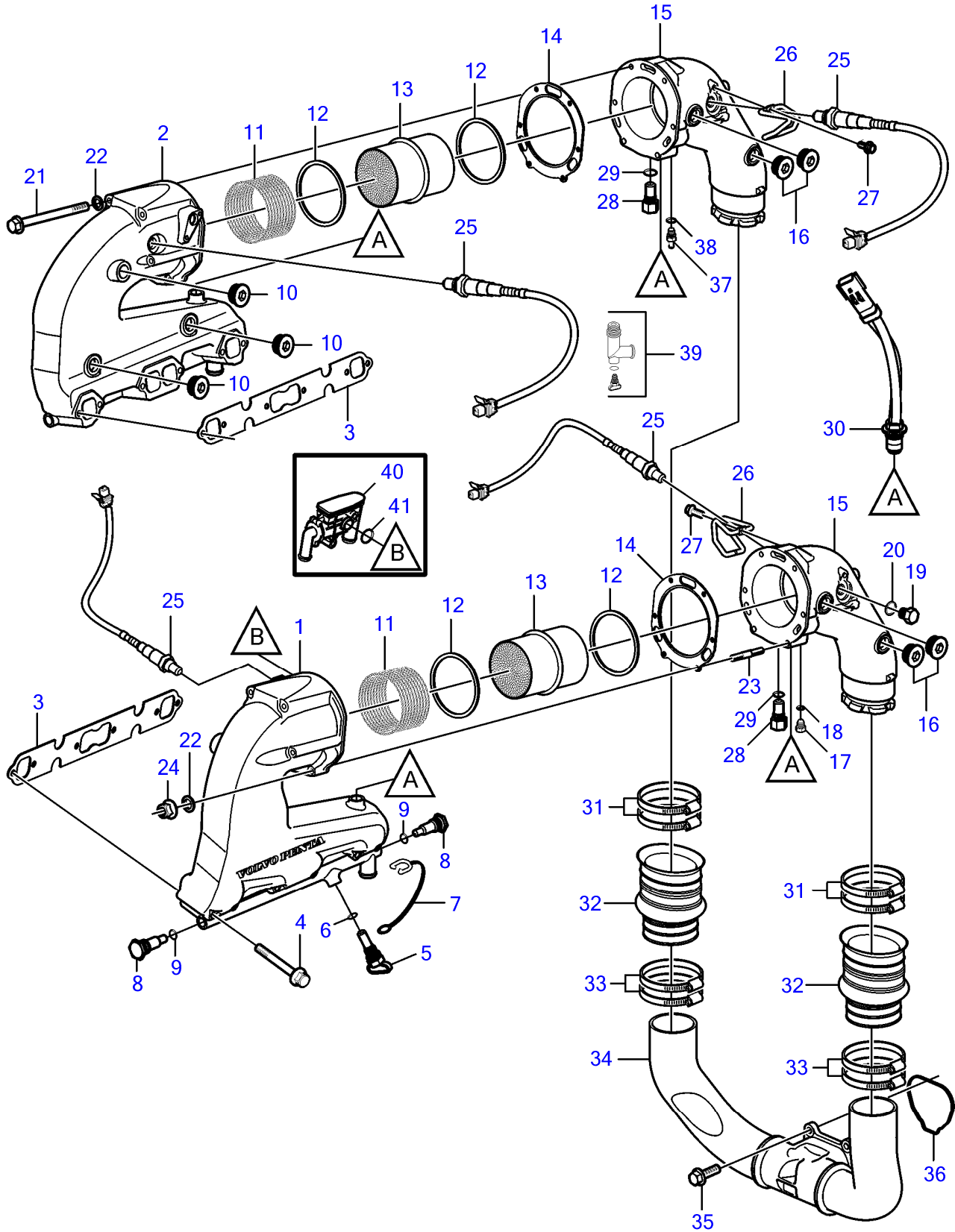


5.7GiC-300-J, 5.7GiC-300-JF, 5.7GXiC-J, 5.7GXiC-JF

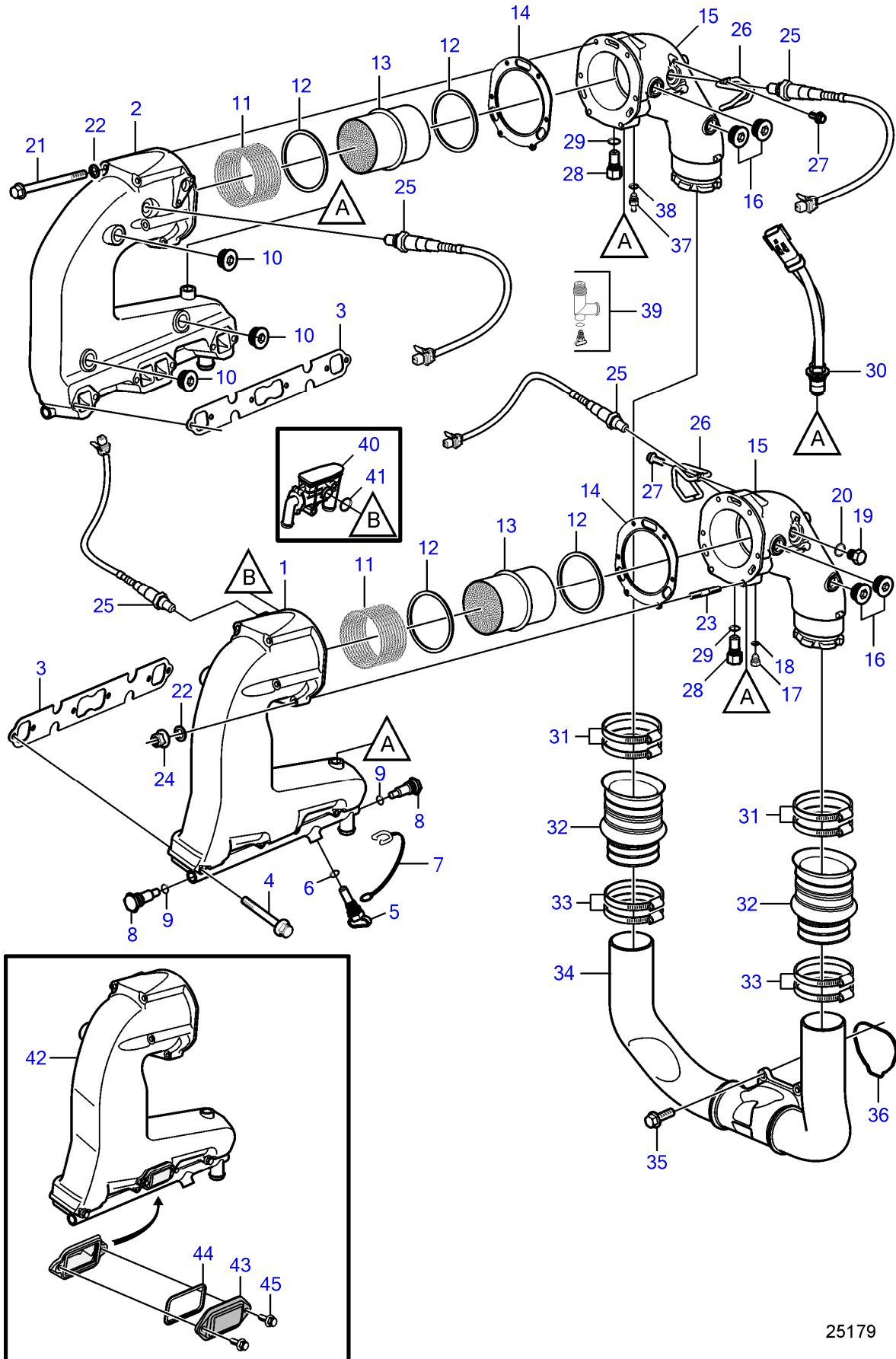


23804

5.7GiC-300-J, 5.7GiC-300-JF, 5.7GXiC-J, 5.7GXiC-JF

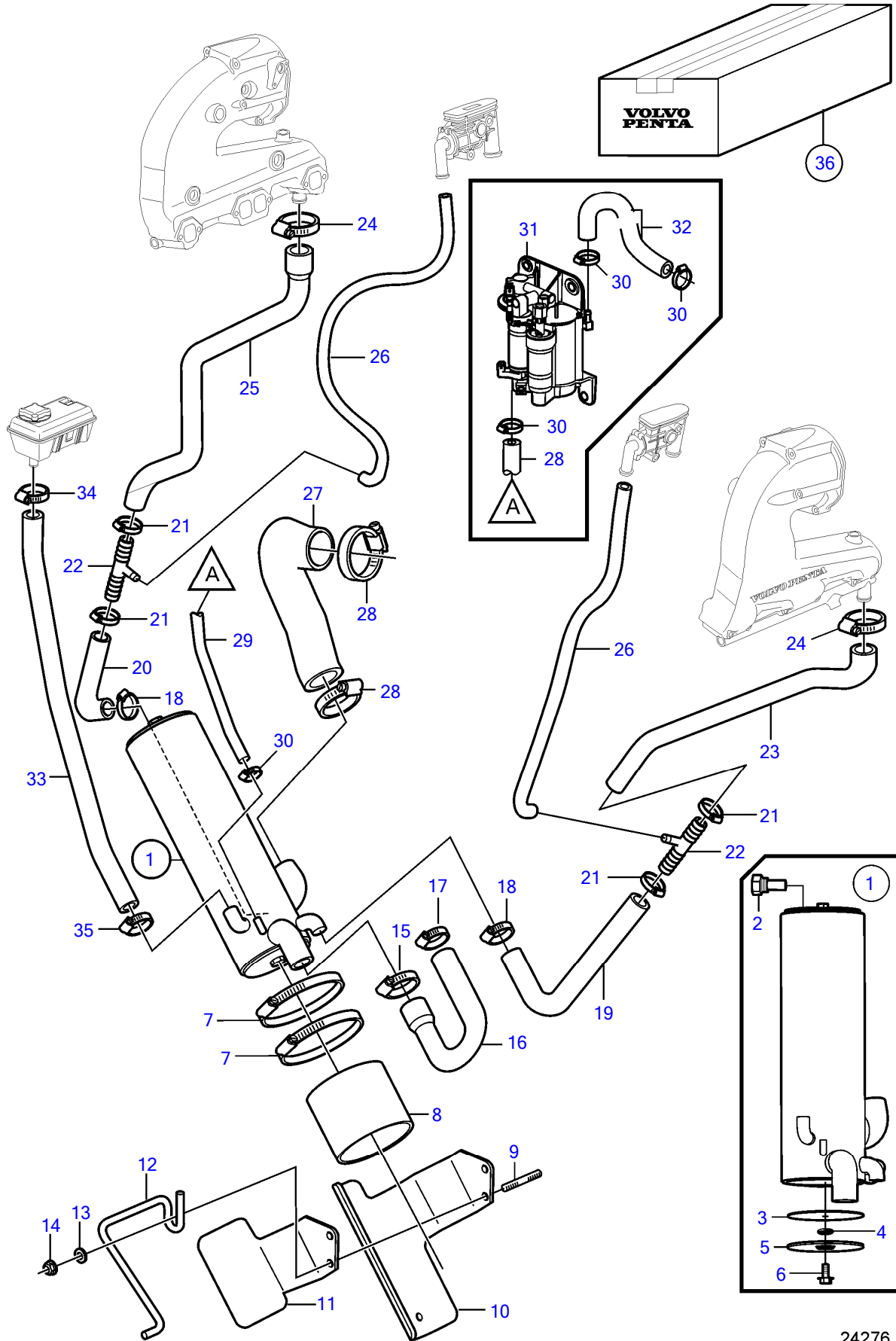


5.7GiC-300-J, 5.7GiC-300-JF, 5.7GXiC-J, 5.7GXiC-JF



25179

5.7GiC-300-JF, 5.7GXIC-JF



CLICK HERE TO **DOWNLOAD** THE COMPLETE MANUAL

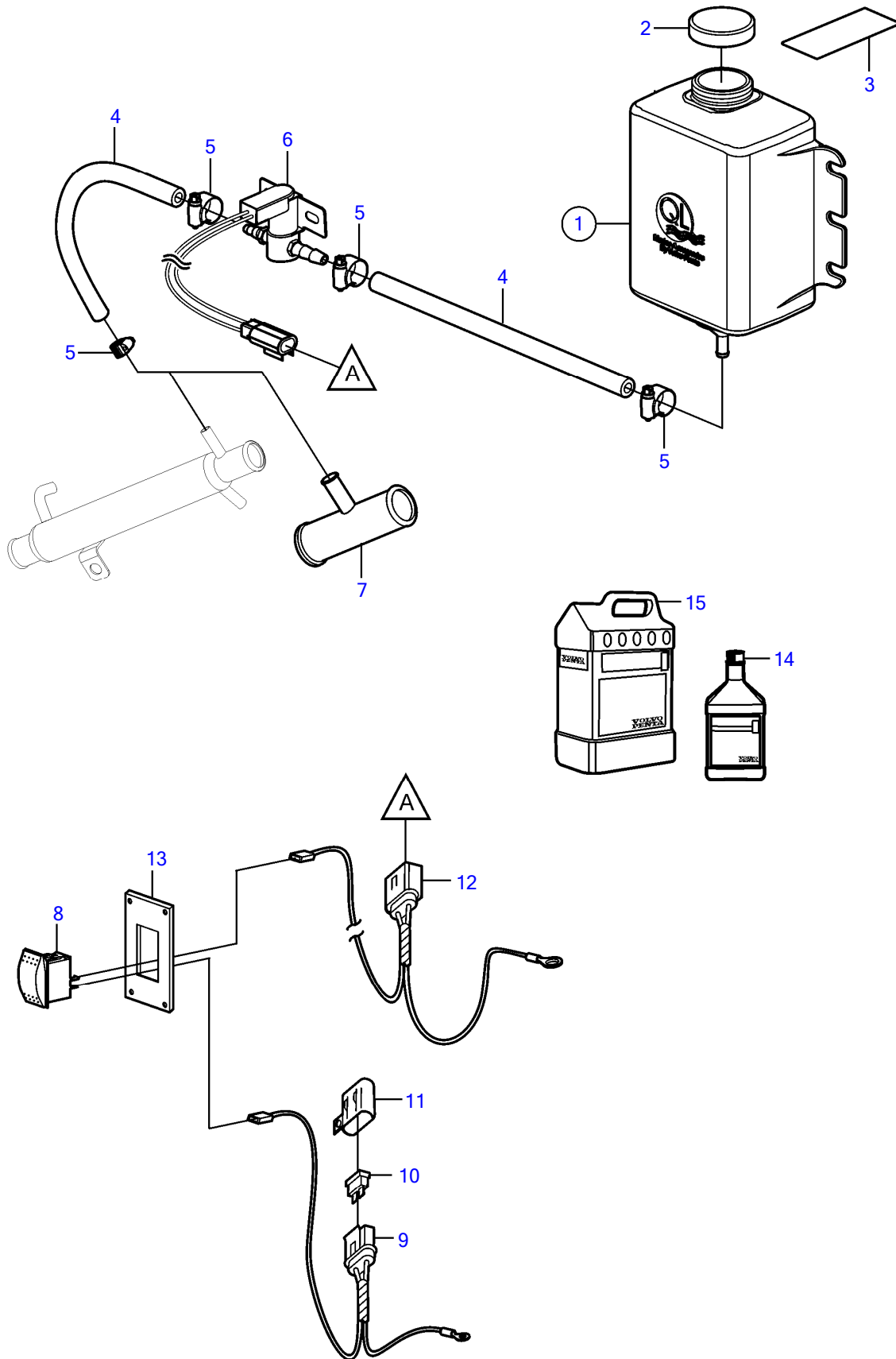
- Thank you very much for reading the preview of the manual.
- You can download the complete manual from: www.heydownloads.com by clicking the link below



- Please note: If there is no response to CLICKING the link, please download this PDF first and then click on it.

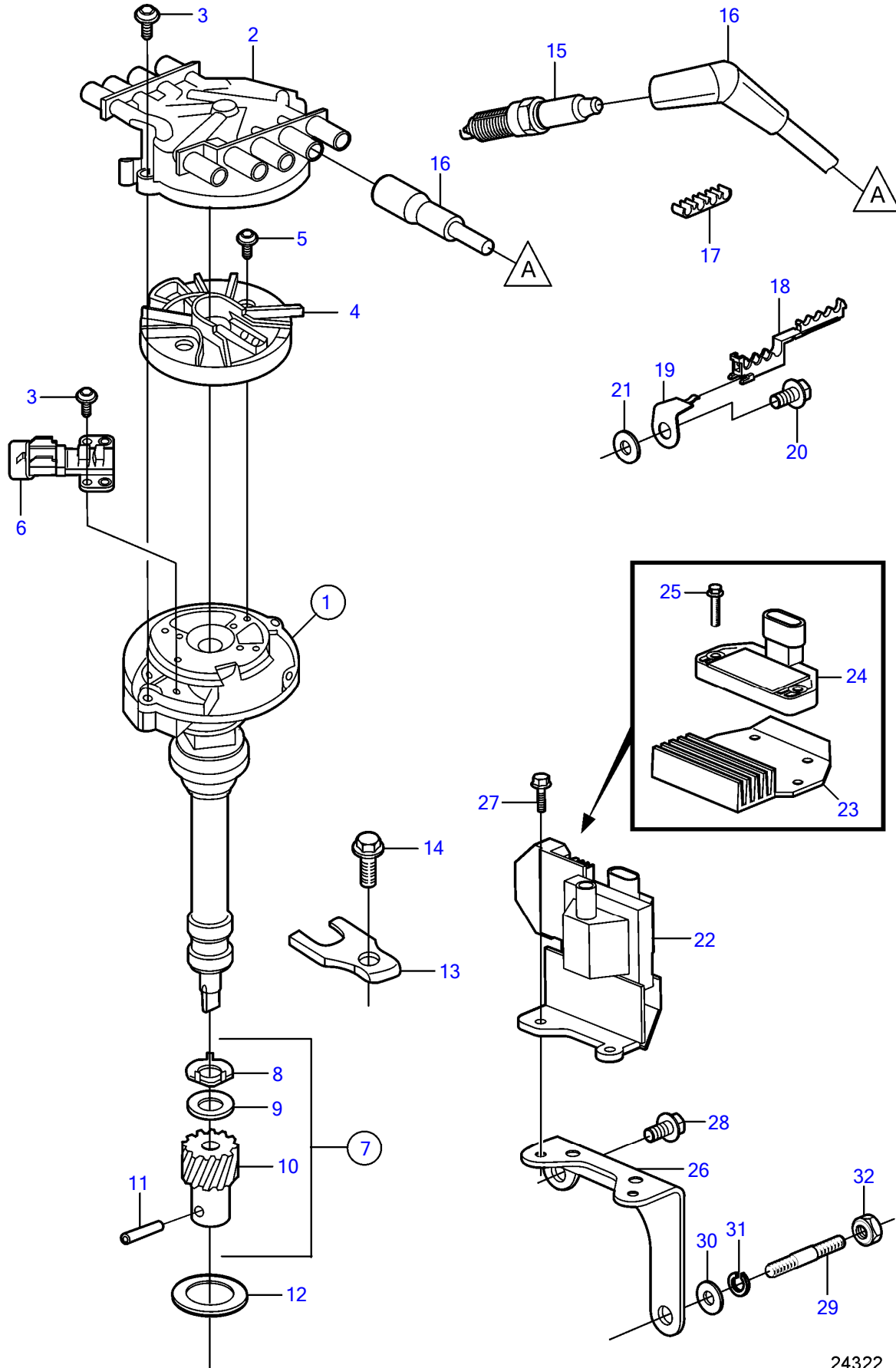
CLICK HERE TO **DOWNLOAD** THE COMPLETE MANUAL

5.7GiC-300-J, 5.7GiC-300-JF, 5.7GXiC-J, 5.7GXiC-JF

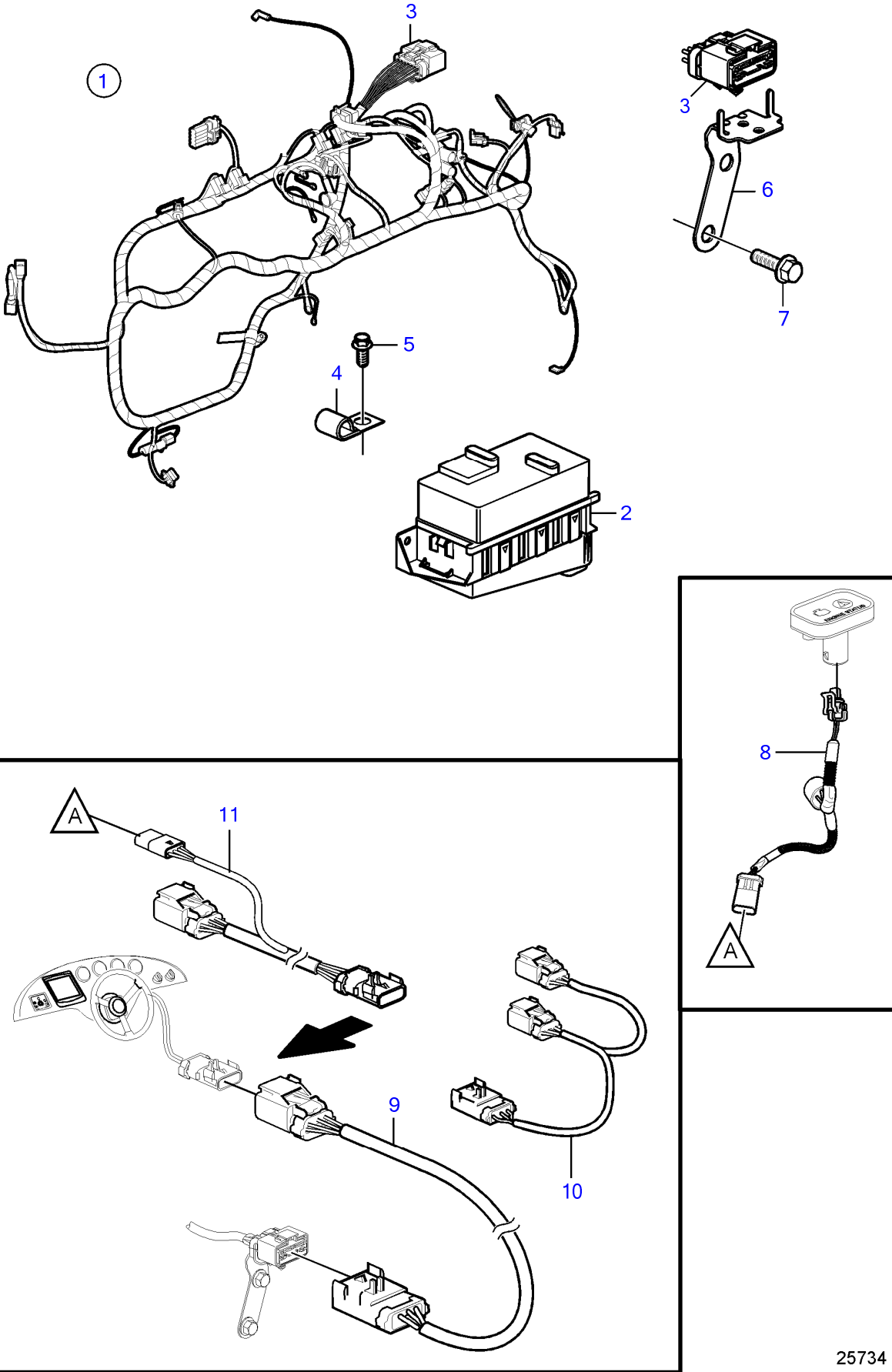


23330

5.7GiC-300-J, 5.7GiC-300-JF, 5.7GXiC-J, 5.7GXiC-JF



5.7GiC-300-J, 5.7GiC-300-JF, 5.7GXiC-J, 5.7GXiC-JF



25734

REF	DESCRIPTION	SEE SEC.
200	Engine Information, General	200

REF	DESCRIPTION	SEE SEC.
230	Fuel System, General	230

DESCRIPTION	SEE SEC.	NOTES
Throttle Cable Connection	54158790	5.7GiC-300-J, 5.7GiC-300-JF, 5.7GXiC-J, 5.7GXiC-JF

CLICK HERE TO **DOWNLOAD** THE COMPLETE MANUAL

- Thank you very much for reading the preview of the manual.
- You can download the complete manual from: www.heydownloads.com by clicking the link below



- Please note: If there is no response to CLICKING the link, please download this PDF first and then click on it.

CLICK HERE TO **DOWNLOAD** THE COMPLETE MANUAL