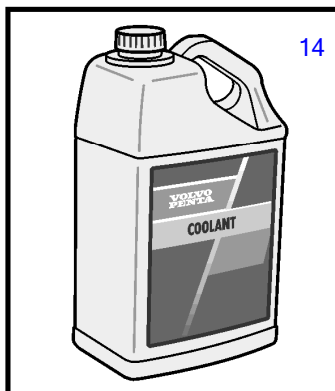
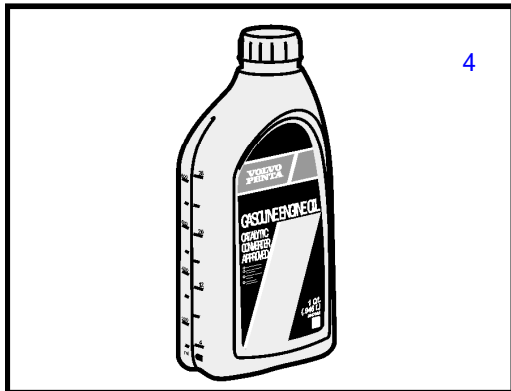
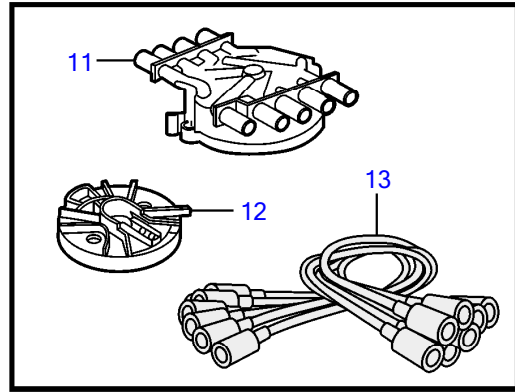
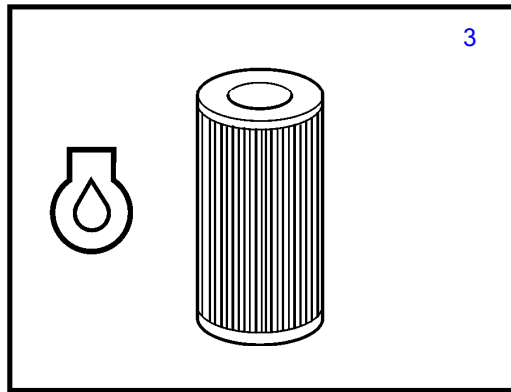
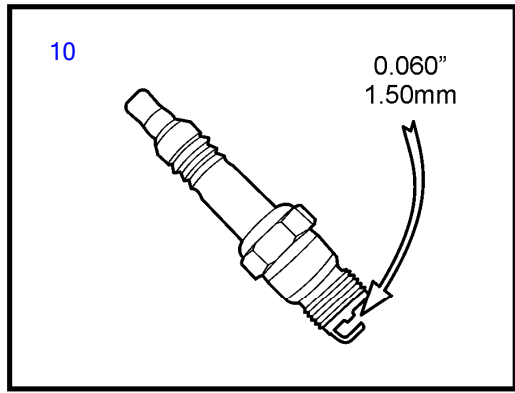
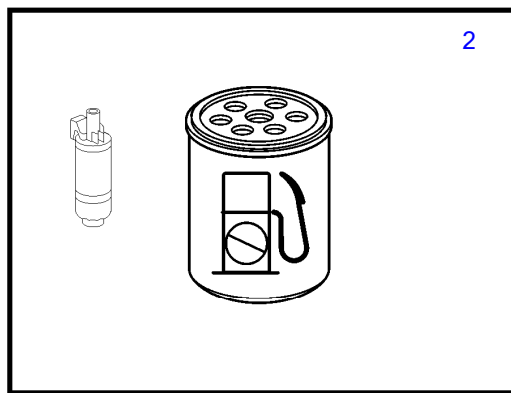
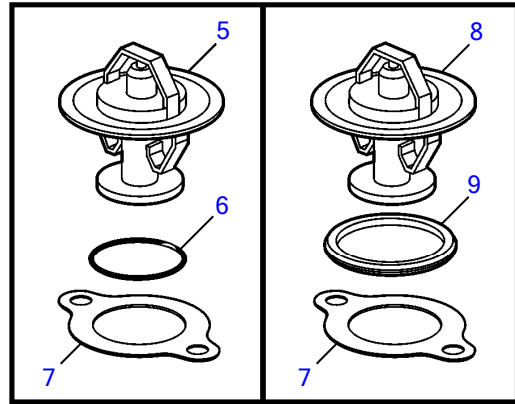


5.0GXICE-J, 5.0GXICE-JF, 5.0GXICE-M, 5.0GXICE-MF



25144

CLICK HERE TO **DOWNLOAD** THE COMPLETE MANUAL

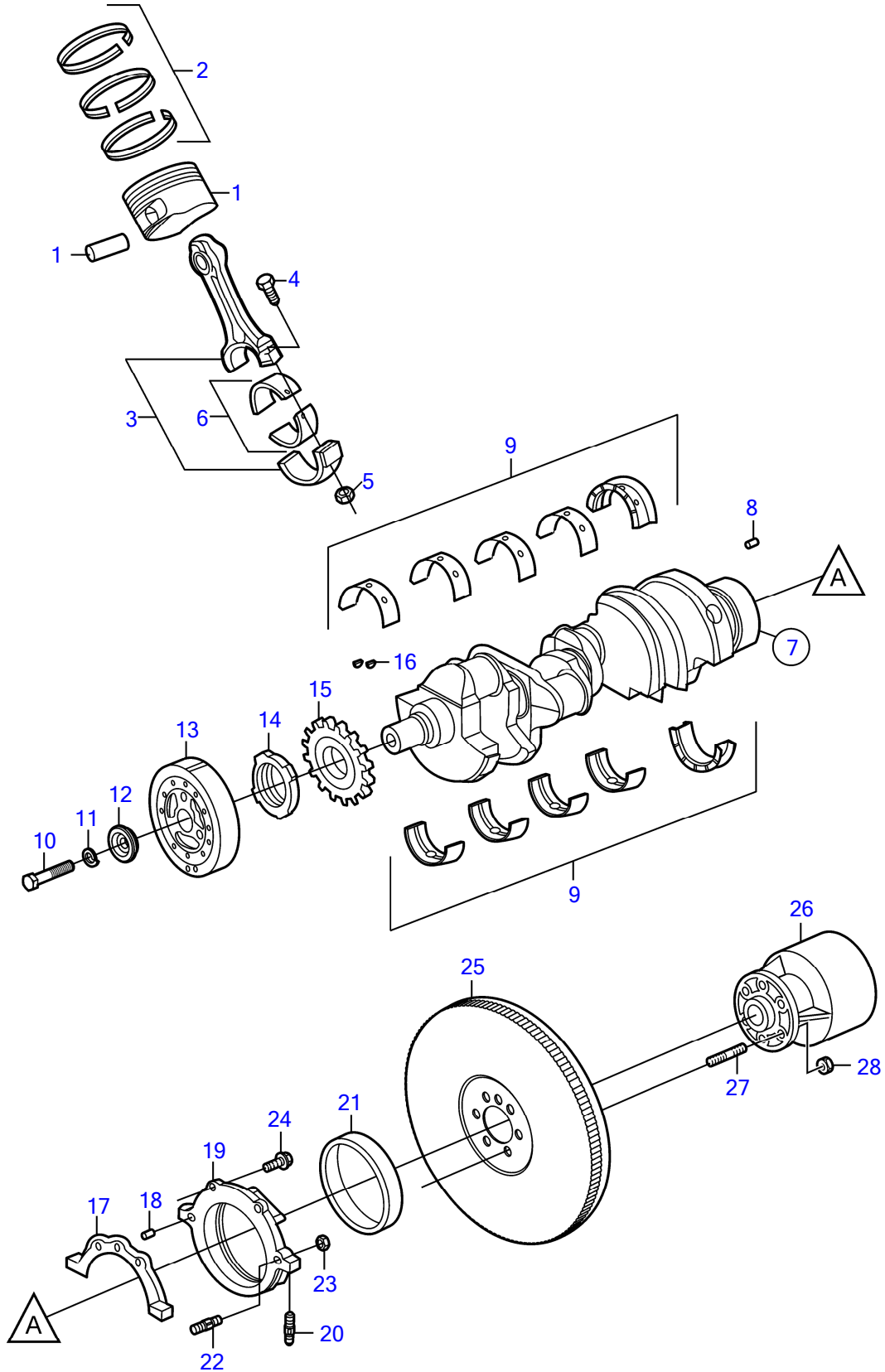
- Thank you very much for reading the preview of the manual.
- You can download the complete manual from: [www.heydownloads.com](http://www.heydownloads.com) by clicking the link below



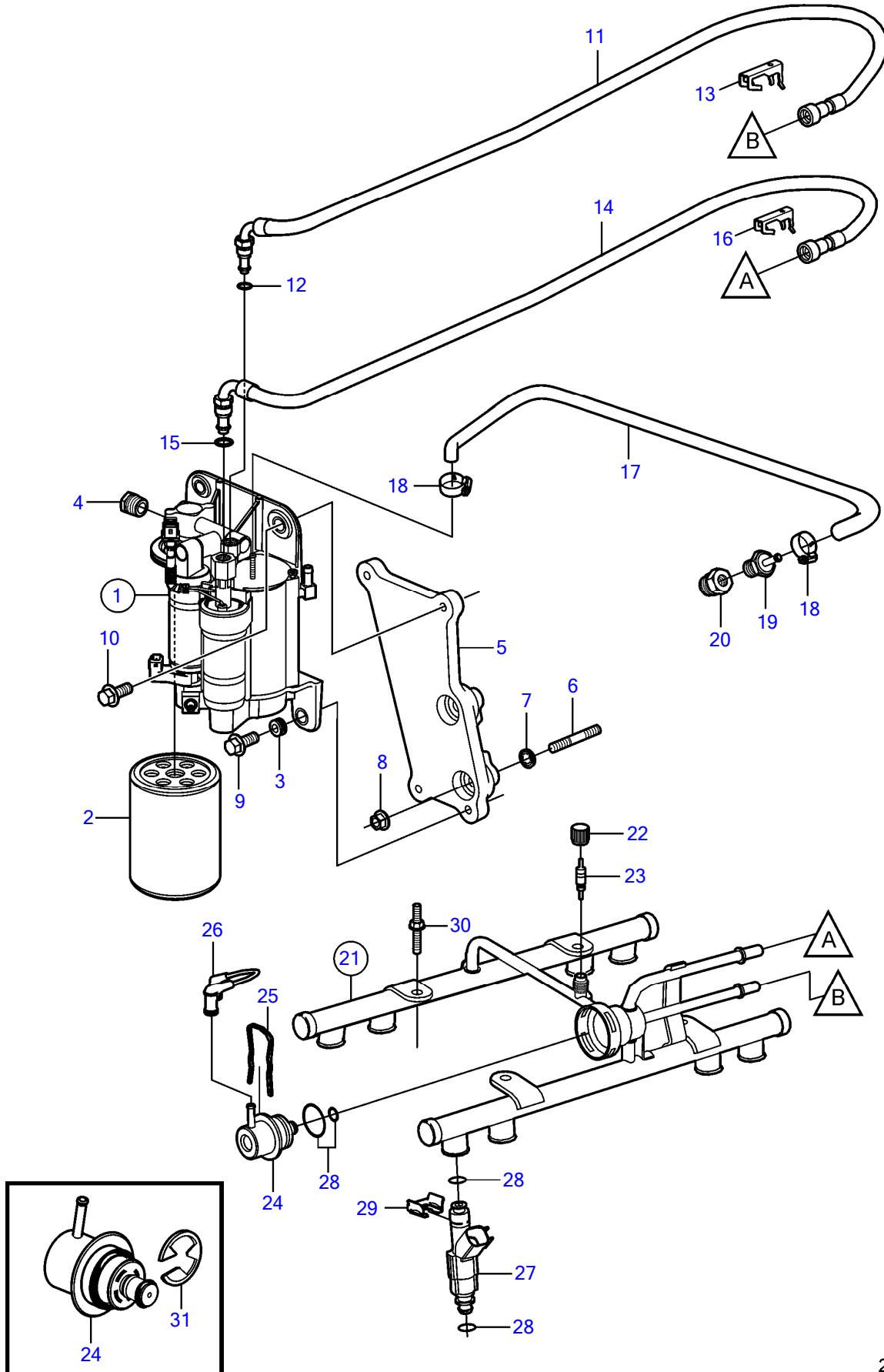
- Please note: If there is no response to CLICKING the link, please download this PDF first and then click on it.

CLICK HERE TO **DOWNLOAD** THE COMPLETE MANUAL

5.0GXICE-J, 5.0GXICE-JF, 5.0GXICE-M, 5.0GXICE-MF

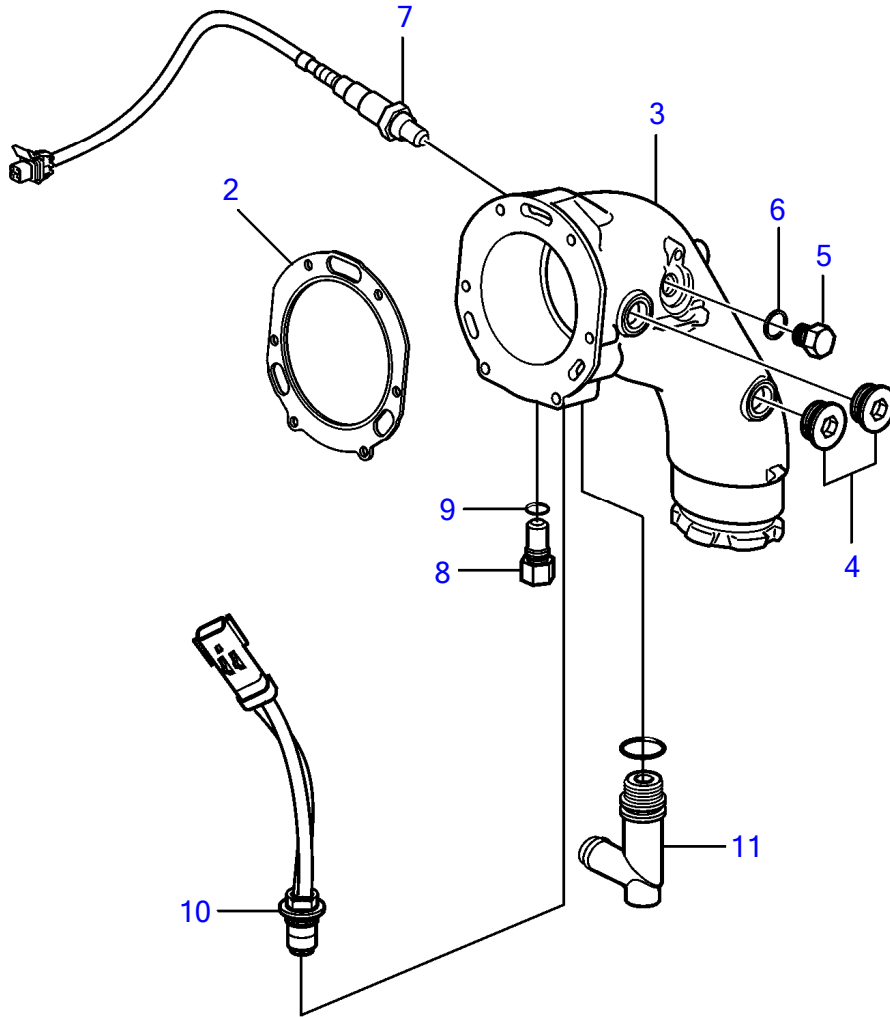


5.0GXICE-J, 5.0GXICE-JF, 5.0GXICE-M, 5.0GXICE-MF

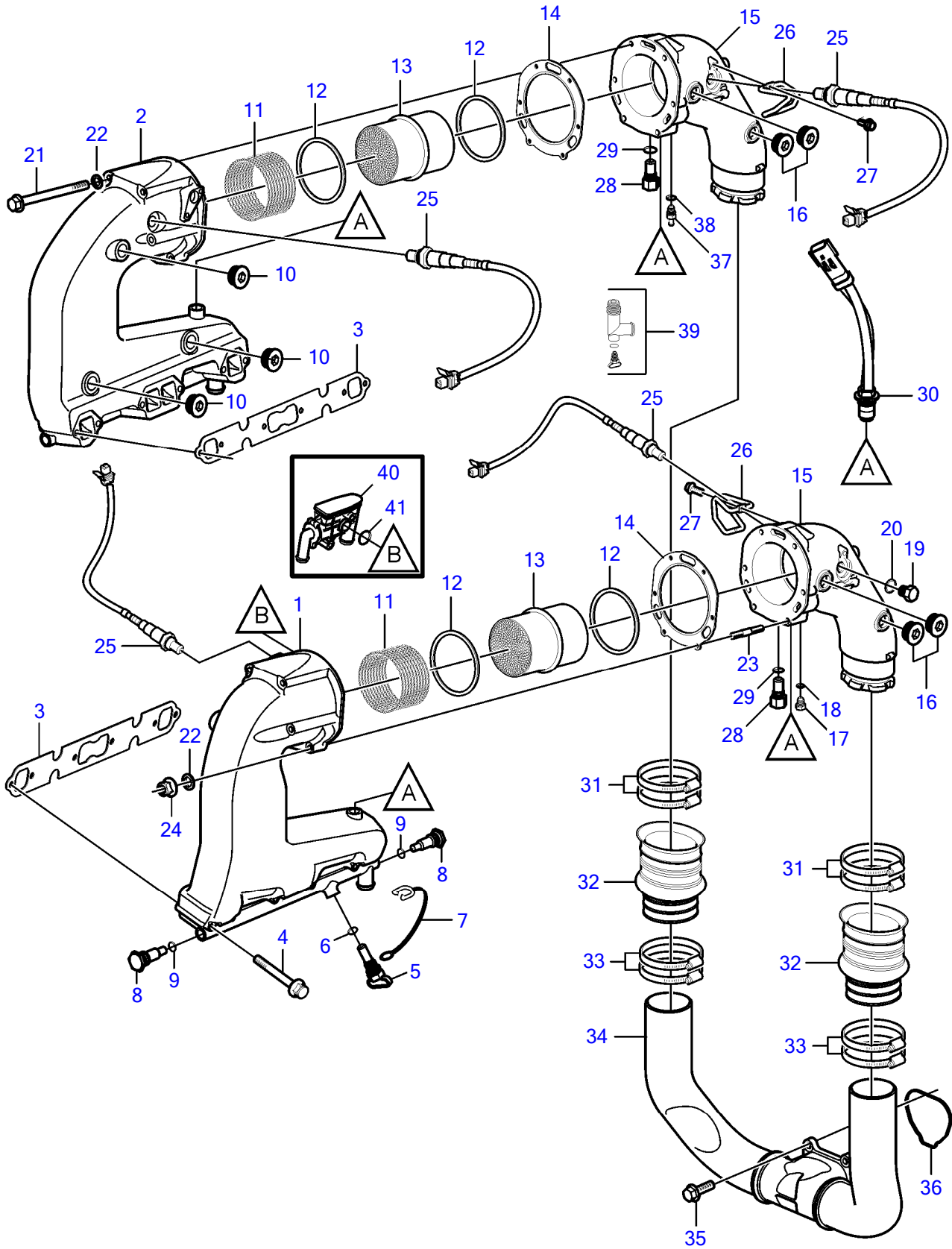


5.0GXICE-J, 5.0GXICE-JF, 5.0GXICE-M, 5.0GXICE-MF

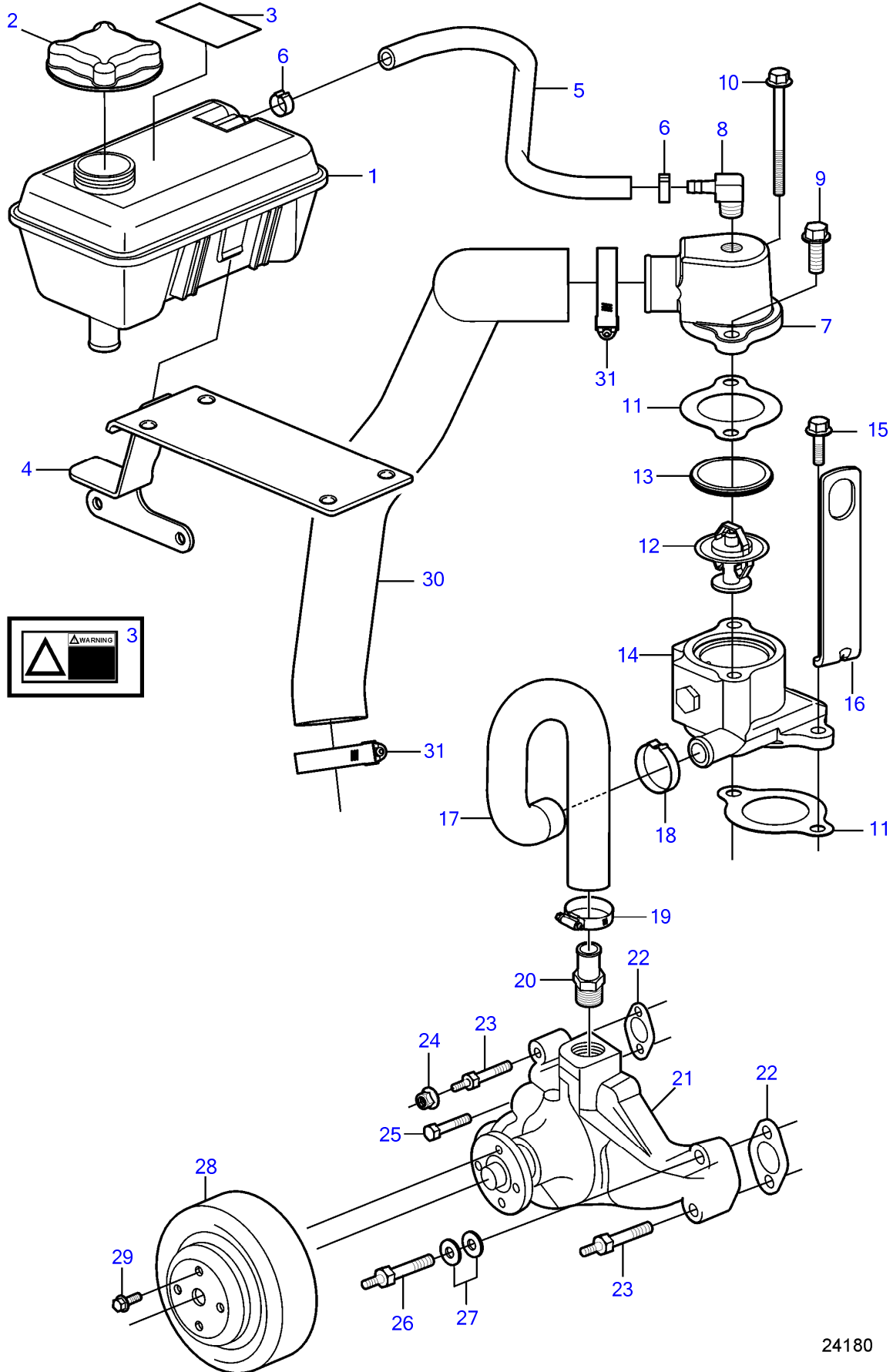
1



5.0GXICE-J, 5.0GXICE-JF, 5.0GXICE-M, 5.0GXICE-MF

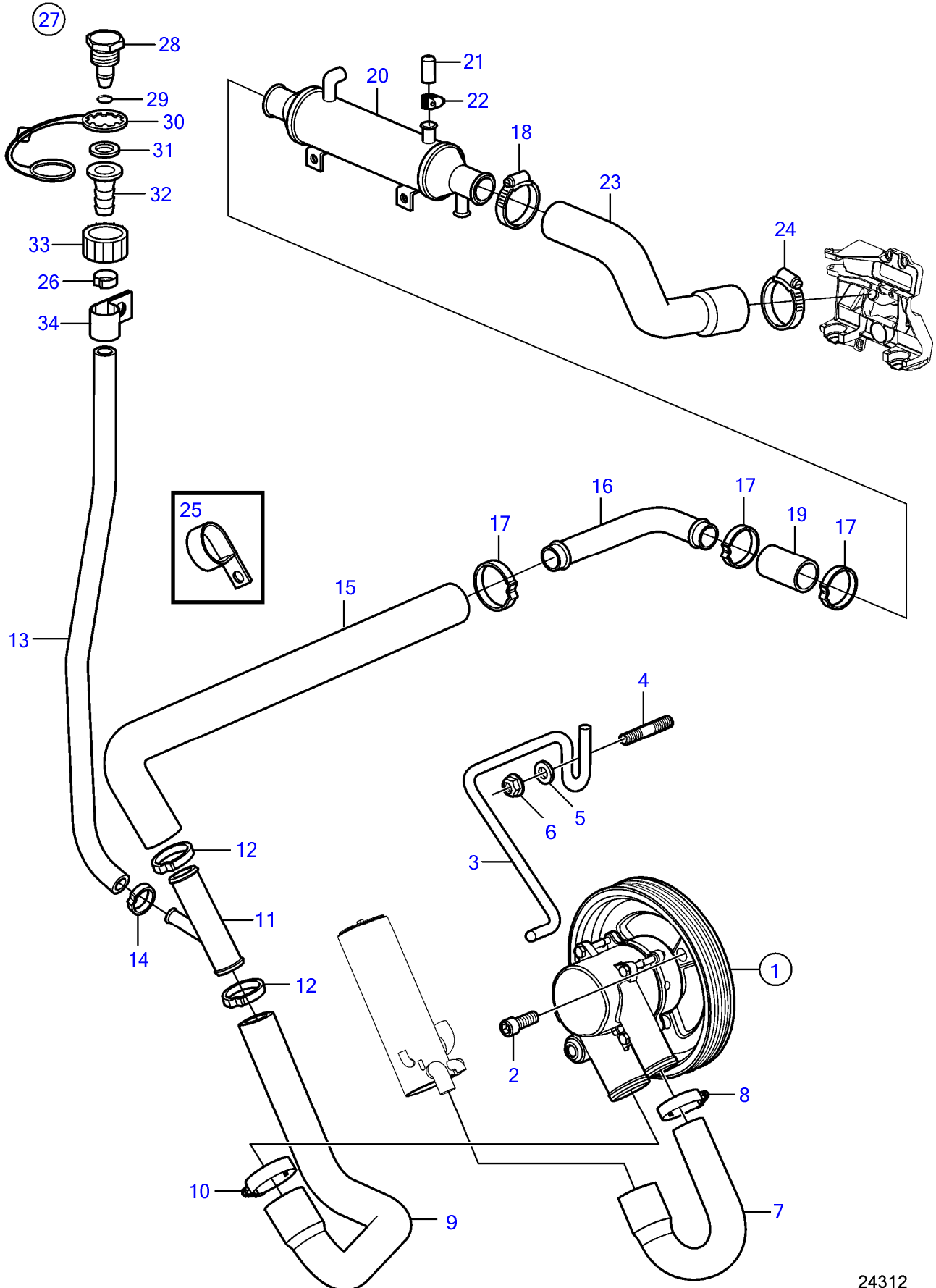


5.0GXICE-JF, 5.0GXICE-MF



24180

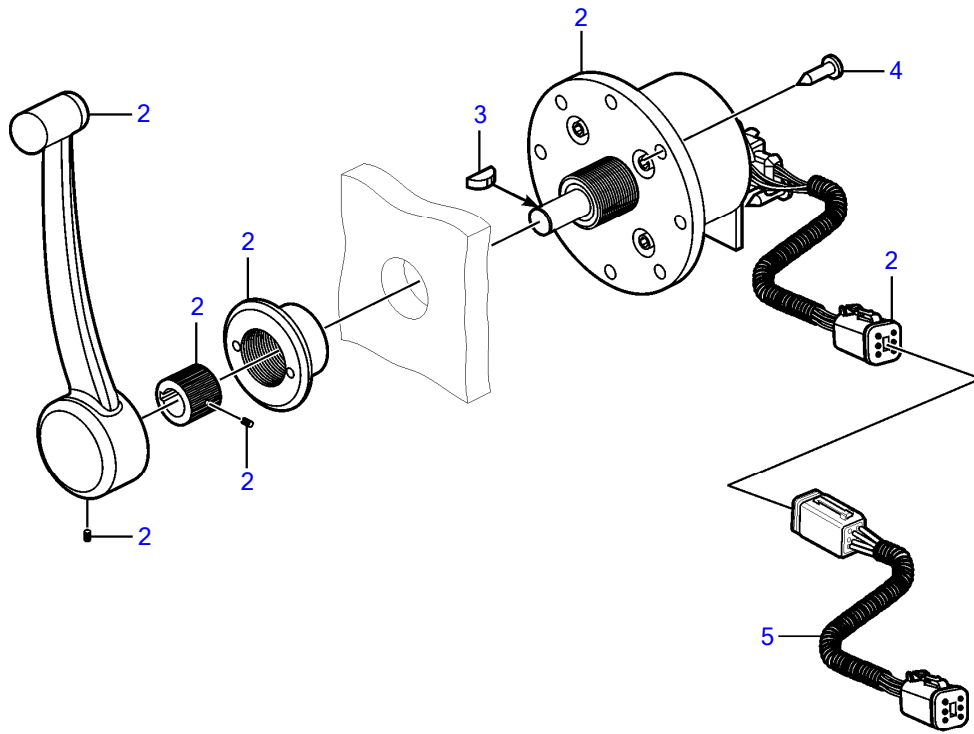
5.0GXICE-JF, 5.0GXICE-MF



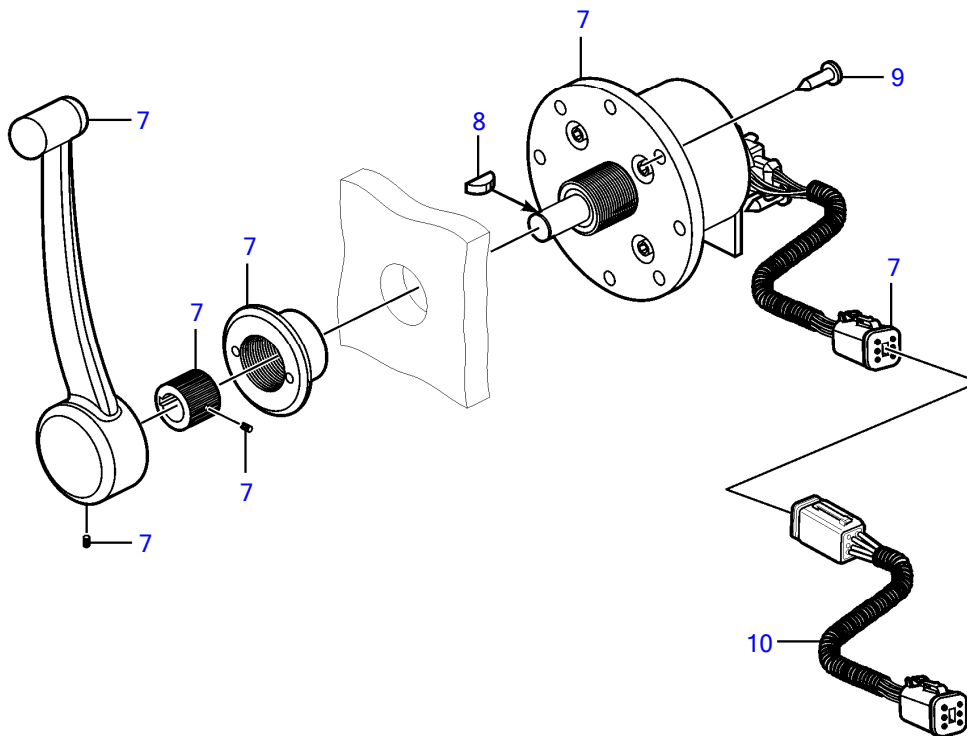
24312

5.0GXICE-J, 5.0GXICE-JF, 5.0GXICE-M, 5.0GXICE-MF

1



6



24015

CLICK HERE TO **DOWNLOAD** THE COMPLETE MANUAL

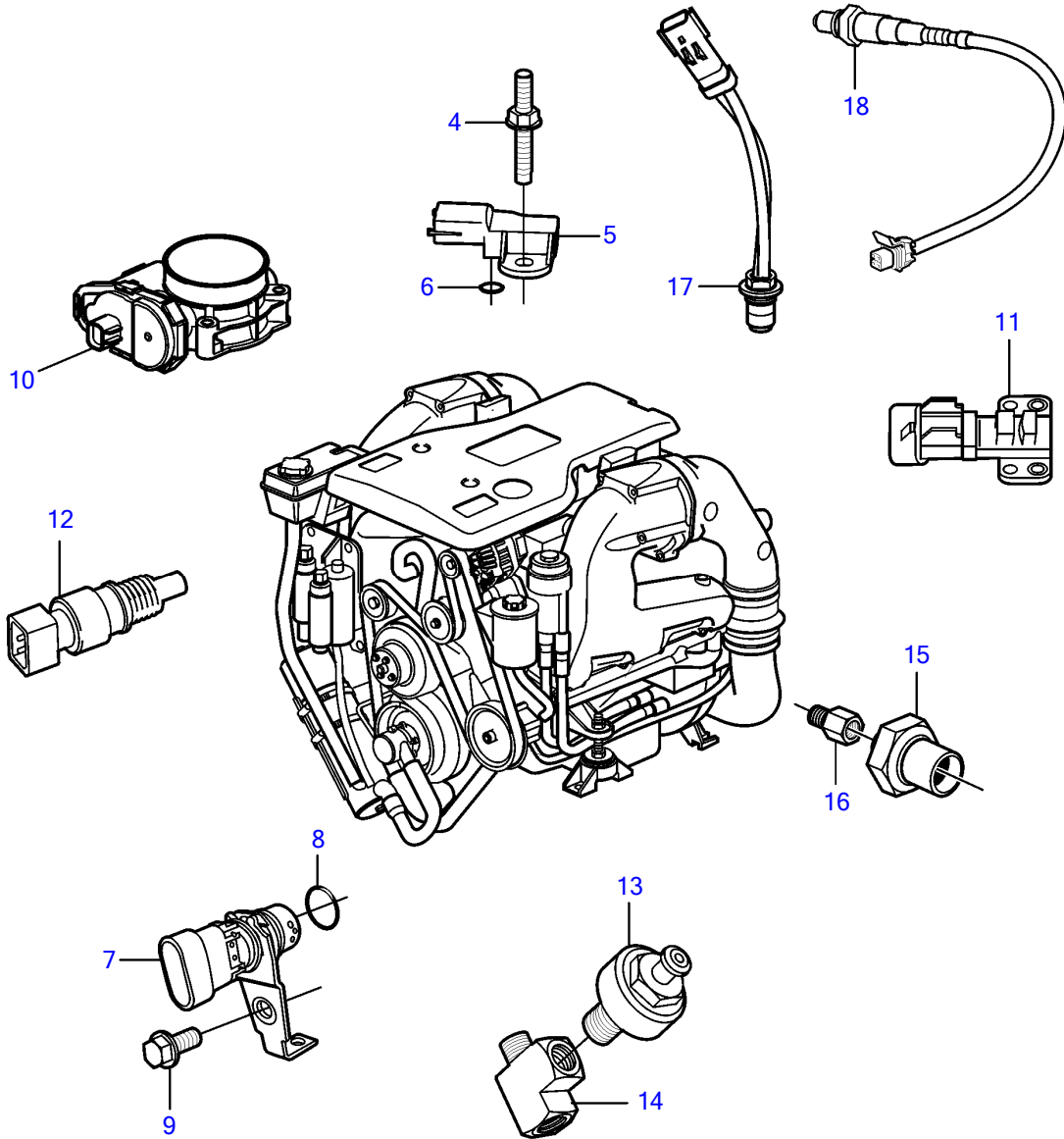
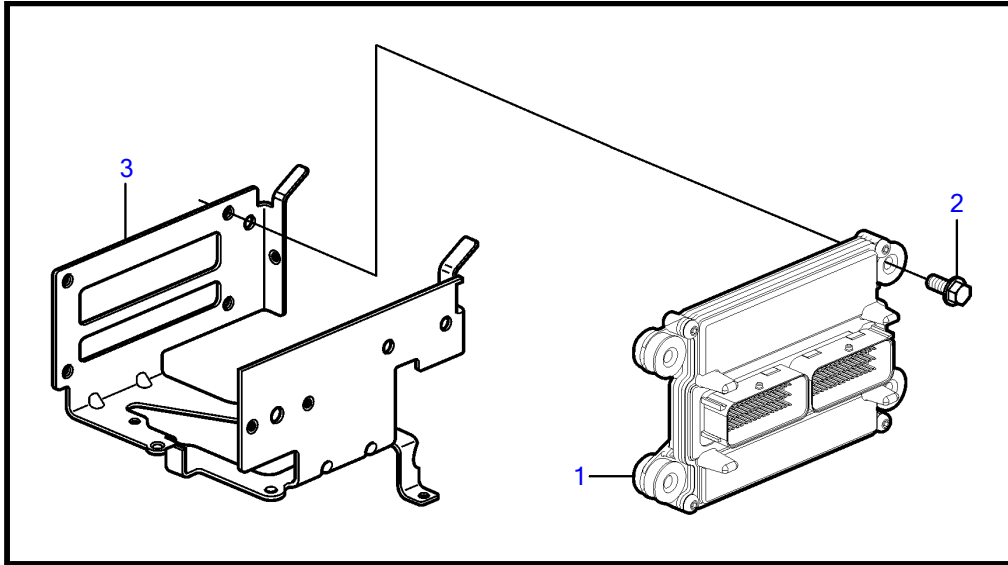
- Thank you very much for reading the preview of the manual.
- You can download the complete manual from: [www.heydownloads.com](http://www.heydownloads.com) by clicking the link below



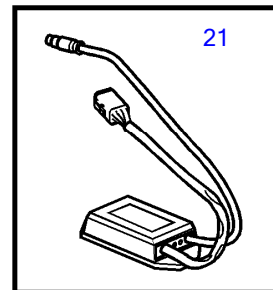
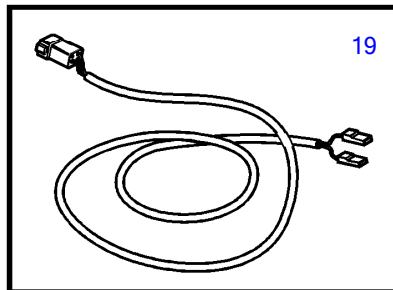
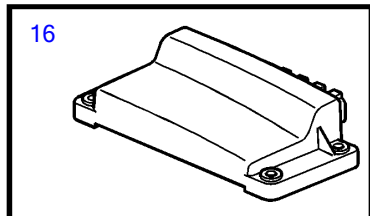
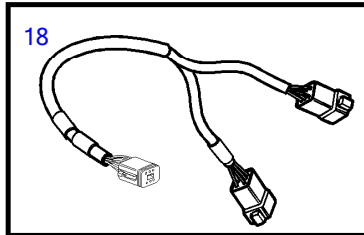
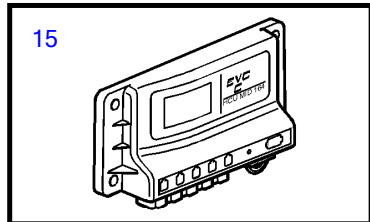
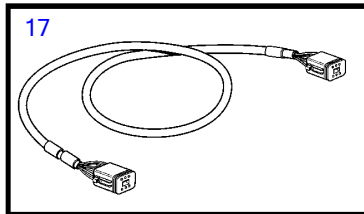
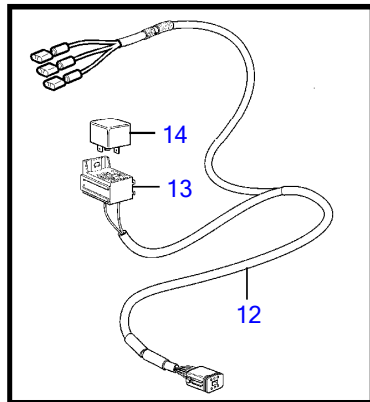
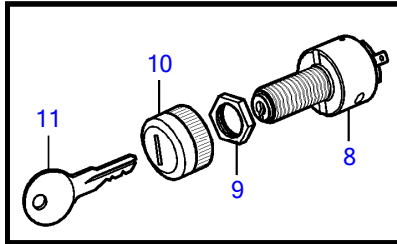
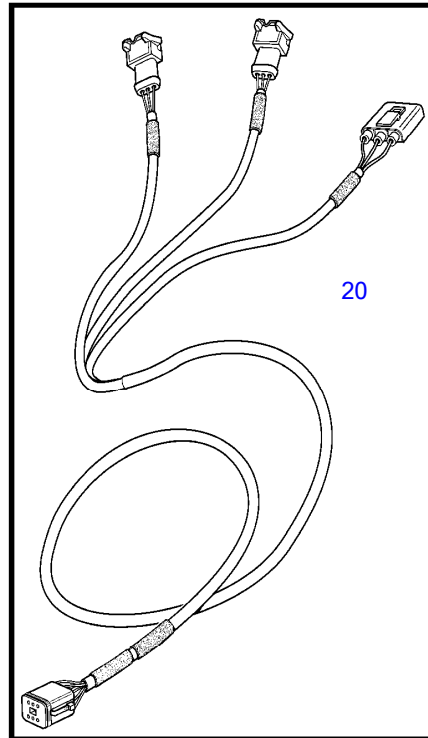
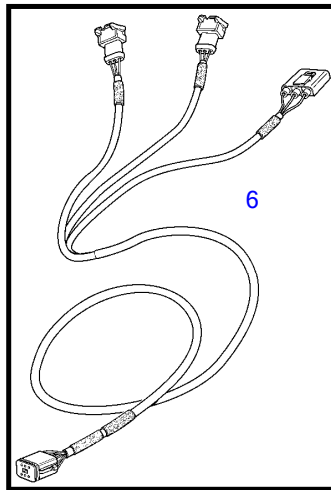
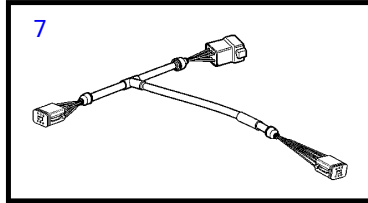
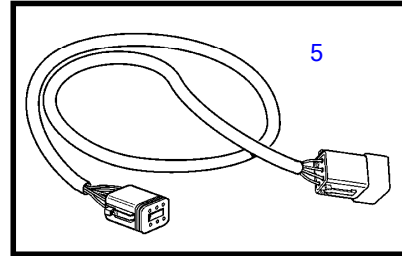
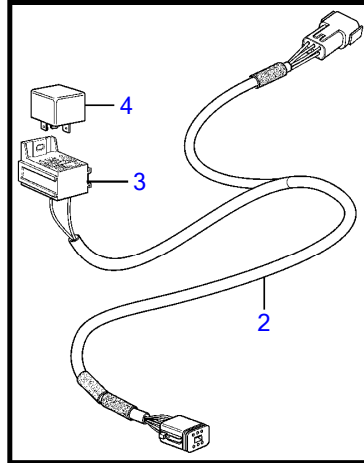
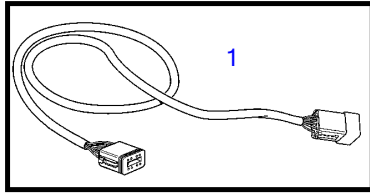
- Please note: If there is no response to CLICKING the link, please download this PDF first and then click on it.

CLICK HERE TO **DOWNLOAD** THE COMPLETE MANUAL

5.0GXICE-M, 5.0GXICE-MF

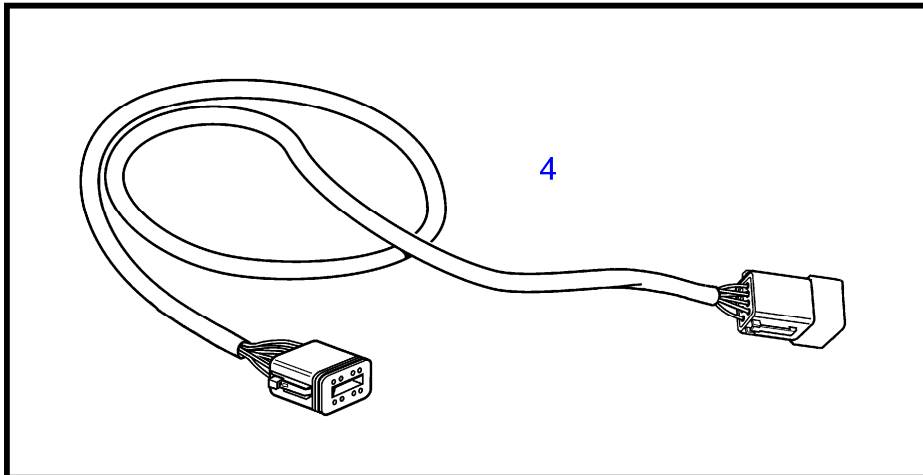
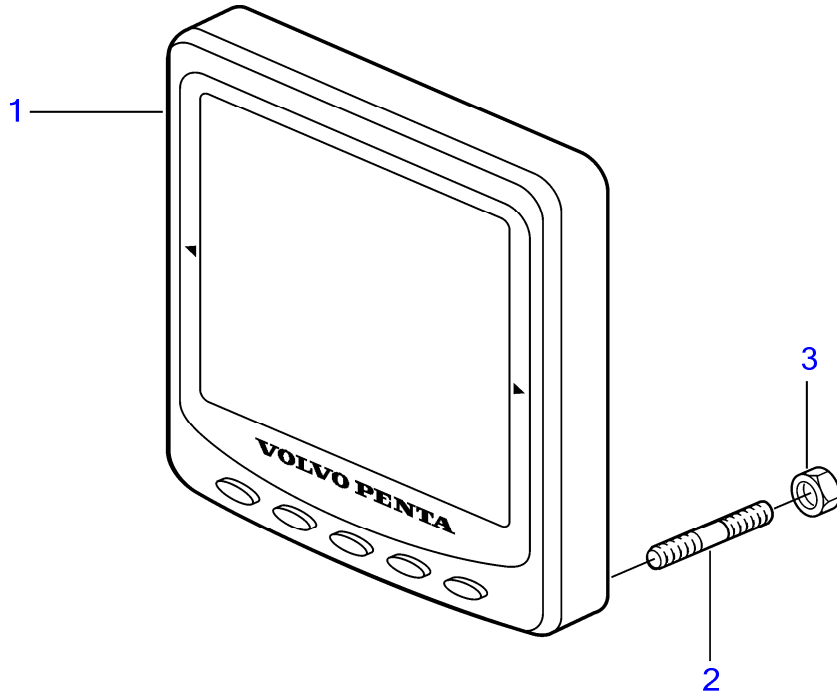


5.0GXICE-M, 5.0GXICE-MF

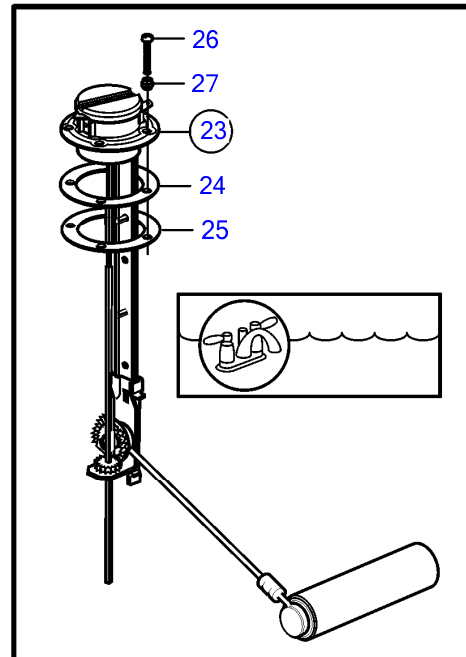
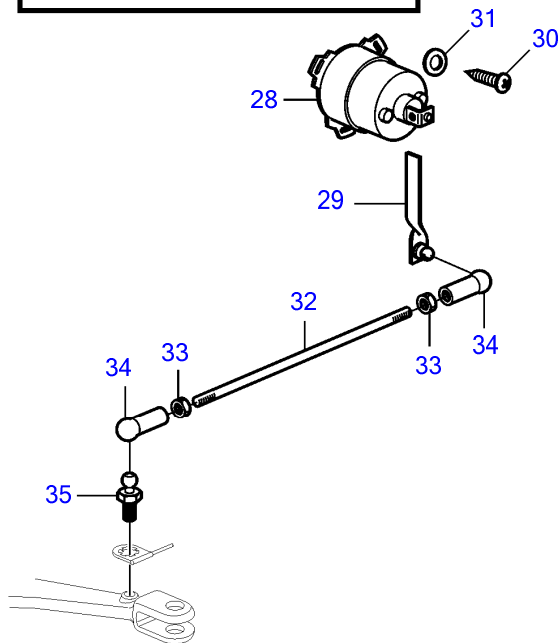
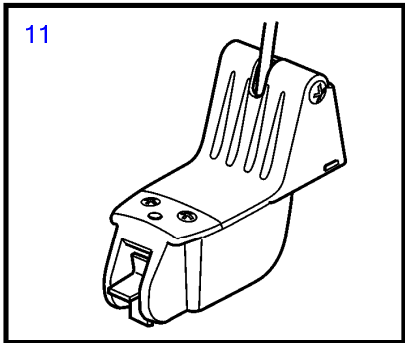
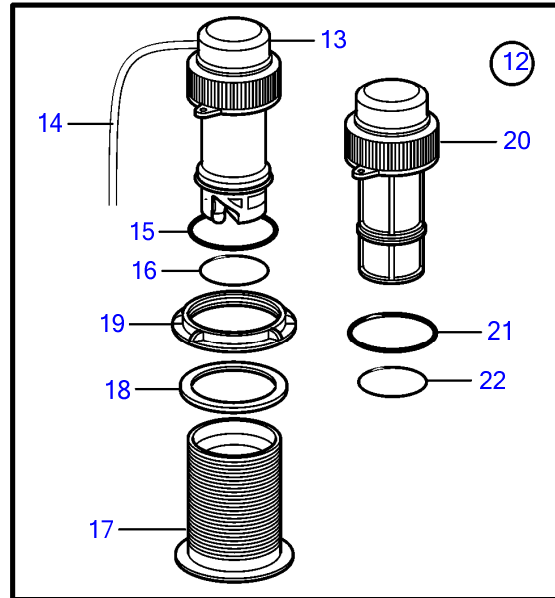
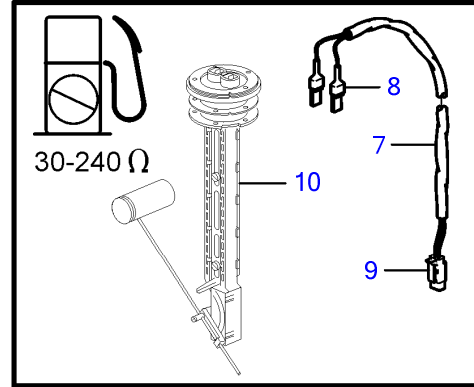
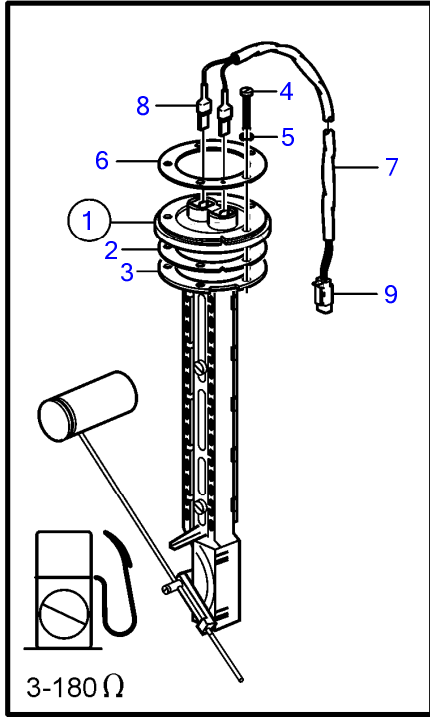


25475

5.0GXICE-J, 5.0GXICE-JF, 5.0GXICE-M, 5.0GXICE-MF



5.0GXICE-J, 5.0GXICE-JF, 5.0GXICE-M, 5.0GXICE-MF



24017

## 5.0GXICE-J, 5.0GXICE-JF, 5.0GXICE-M, 5.0GXICE-MF

REF	PART NO.	QTY	DESCRIPTION	SEE SEC.	NOTES
1		X		54163132	Shaded parts show changes from earlier design.
		1	Valve body	54163132	second design, introduced Jan. 2011, ser. no. A155443 and higher
2	21198760	1	Cover		
3	3841608	2	Wing nut		
4	21199454	1	Decal		
5	21469067	1	Control unit		SCU
	3809286	1	Software		Warehouse programming. This p/n can not be ordered, but will be used for invoicing.
	3809285	1	Software		Vodia-programming. This p/n can not be ordered, but will be used for invoicing.
6	21453160	1	Bracket		changed from earlier design
7	995525	4	Flange screw		
8	946544	3	Flange screw		
9	21438496	1	Hose, return		changed from earlier design, replaced by next part number
	22001321	1	Hose		
10	21438494	1	Hose, pressure		replaced by next part number, at ser. no. A1048130
	23230899	1	Hose, pressure		
11	21438492	1	Hose, starboard		changed from earlier design
12	21438490	1	Hose, port		changed from earlier design
13	984379	1	Nipple		
14	984378	1	Nipple		
15	(3852837)	2	Clamp		part not sold
16	21243557	1	Steering cylinder		replaced by next part number
	21937825	1	Steering cylinder		replaced by next part number
	23202356	1	Steering cylinder		
		4	• Sensor, position		not sold separately
17	21298577	1	• Kit, fittings		
18		1	• • Fitting		¼" NPT, not sold separately
19		1	• • Fitting		ORB-M, not sold separately
		1	• • O-ring		not sold separately
20		1	• Clevis pin		not sold separately
21		1	• Cotter pin		not sold separately
22		2	• Bushing		not sold separately
23		1	• Cable attachment		not sold separately
24	21277346	1	• Cap		
25	21234062	1	Clevis pin		
26	967707	1	Split pin		
27	3850931	2	Screw		
28	3853376	2	Split pin		
29	3588972	1	Cable kit, t		
30	21292450	1	Wiring harness		SCU
31	21292472	1	Wiring harness		Power
32		1	• Fuse		10A
33	984329	2	Clamp		
34	963675	1	Hex. socket screw		
35	944456	1	Hexagon nut		

## 5.0GXICE-J, 5.0GXICE-JF, 5.0GXICE-M, 5.0GXICE-MF

REF	PART NO.	QTY	DESCRIPTION	NOTES
1		X		Shaded parts show changes from earlier design.
	21445595	1	Valve	second design, introduced Jan. 2011, ser. no. A155443 and higher, replaced by next part number
	21914259	1	Valve	
2	21199274	2	• Nipple	
		2	• • O-ring	not sold separately
3	3859043	2	• Fitting	
	3859042	2	• • O-ring	
4	21584276	1	• Filter	changed from earlier design
		3	• • O-ring	not sold separately
5	21314061	1	• Solenoid	
6	21314064	2	• Solenoid	
7		1	• Washer	not sold separately
8		2	• Nut	not sold separately
9	3850397	1	• Switch, temperature	
10	22141359	1	Valve	not sold separately
		1	• O-ring	not sold separately
11			Valve	
		1	• O-ring	not sold separately
12	22141353	1	Valve	

DESCRIPTION	SEE SEC.	NOTES
Motor Mounts	54158394	5.0GXiCE-J, 5.0GXiCE-JF, 5.0GXiCE-M, 5.0GXiCE-MF

REF	DESCRIPTION	SEE SEC.
272	Hand Throttle Control	272
276	Combination Control (Speed and Gear Changing)	276

DESCRIPTION	SEE SEC.	NOTES
Control Unit and Cables, EVC-C & -C2	54160930	5.0GXICE-J, 5.0GXICE-JF, 5.0GXICE-M, 5.0GXICE-MF
Control Unit and Cables, EVC-C3	54161453	5.0GXICE-M, 5.0GXICE-MF

CLICK HERE TO **DOWNLOAD** THE COMPLETE MANUAL

- Thank you very much for reading the preview of the manual.
- You can download the complete manual from: [www.heydownloads.com](http://www.heydownloads.com) by clicking the link below



- Please note: If there is no response to CLICKING the link, please download this PDF first and then click on it.

CLICK HERE TO **DOWNLOAD** THE COMPLETE MANUAL