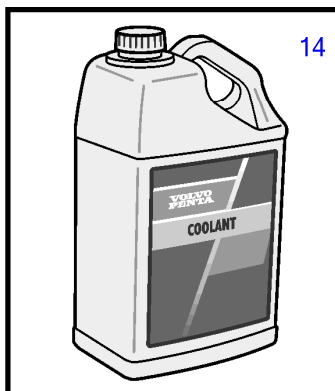
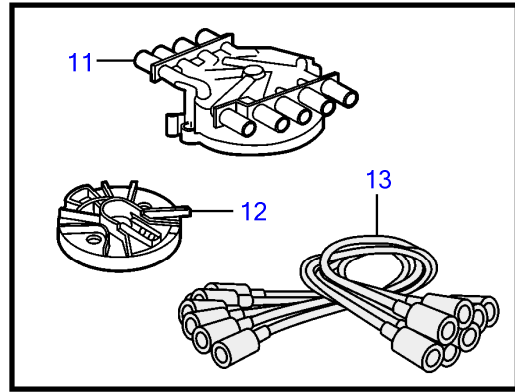
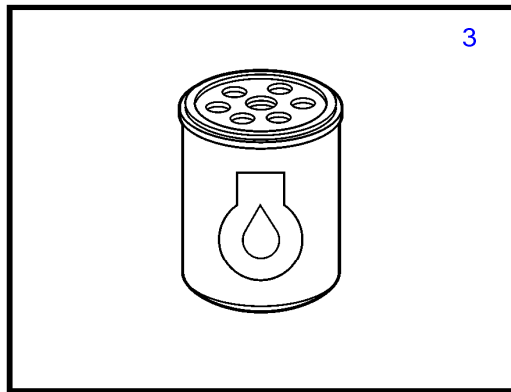
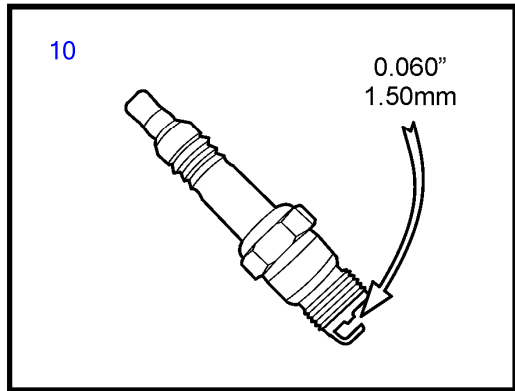
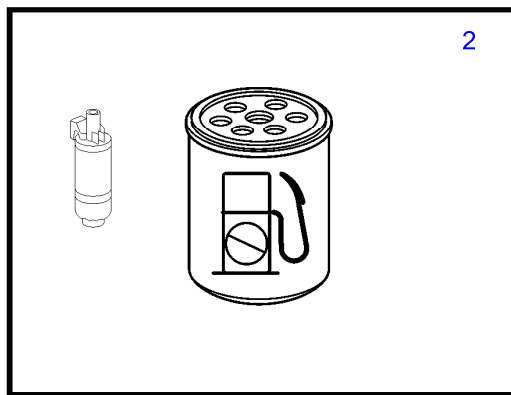
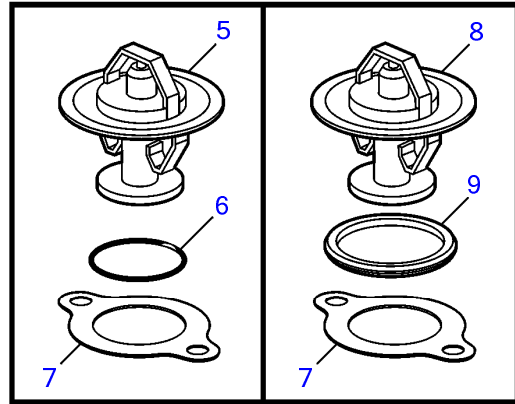
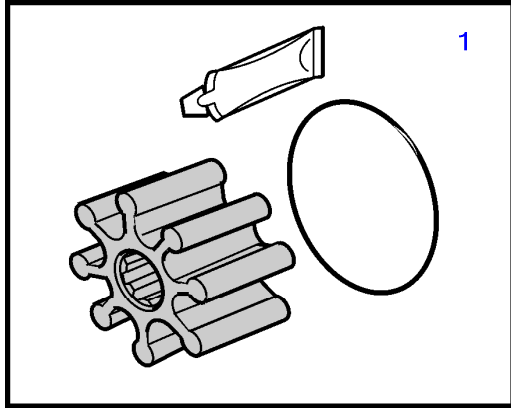


5.0GXi-E, 5.0GXi-EF, 5.0OSi-E, 5.0OSi-EF



25145

CLICK HERE TO **DOWNLOAD** THE COMPLETE MANUAL

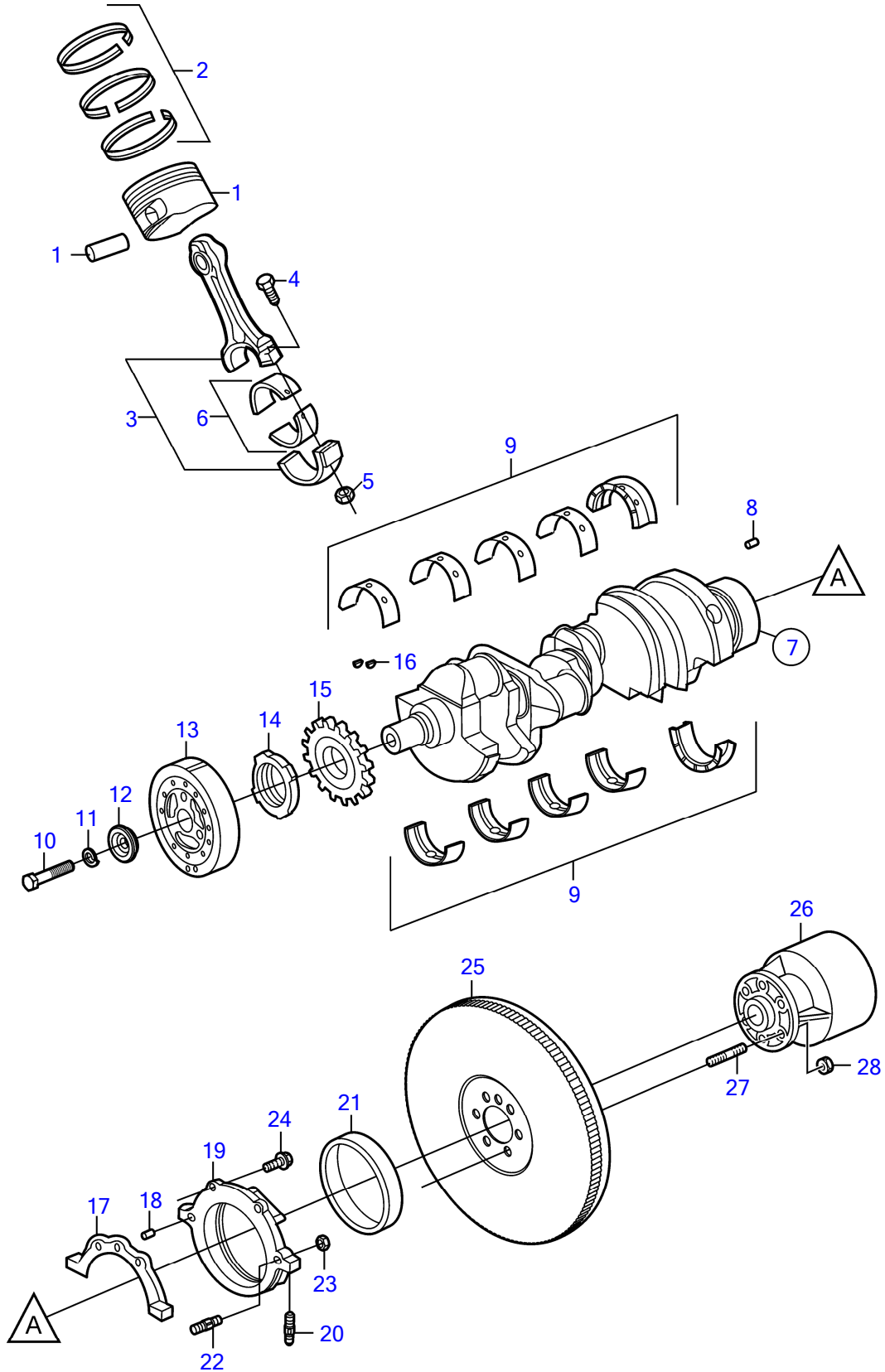
- Thank you very much for reading the preview of the manual.
- You can download the complete manual from: www.heydownloads.com by clicking the link below



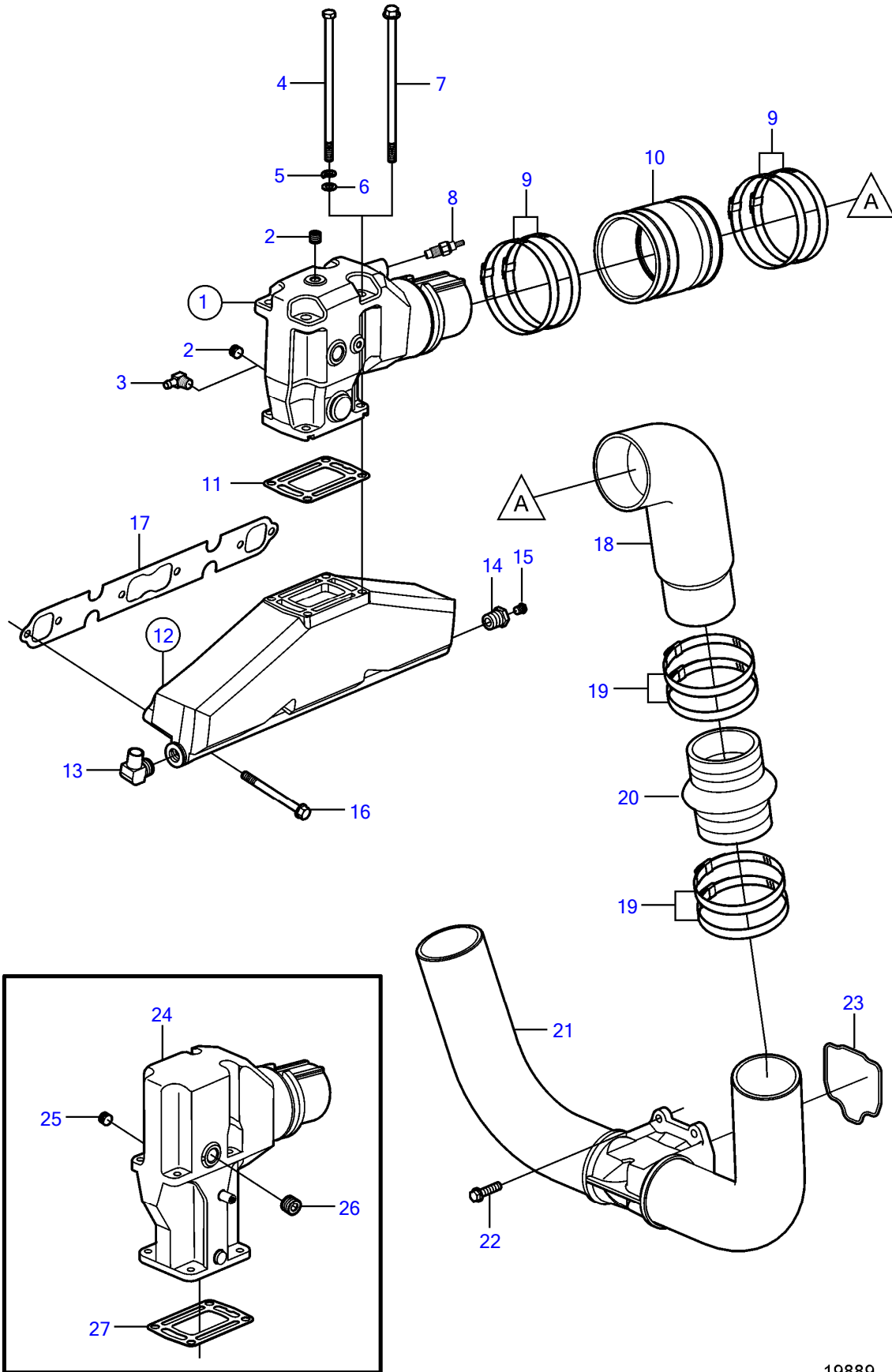
- Please note: If there is no response to CLICKING the link, please download this PDF first and then click on it.

CLICK HERE TO **DOWNLOAD** THE COMPLETE MANUAL

5.0GXi-E, 5.0GXi-EF, 5.0OSi-E, 5.0OSi-EF

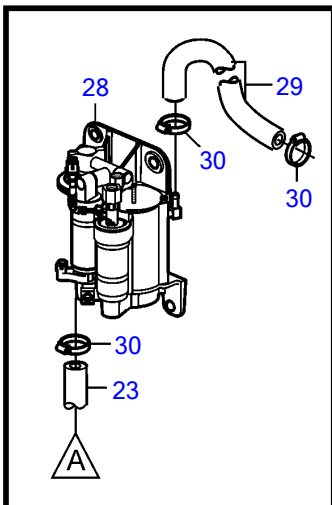
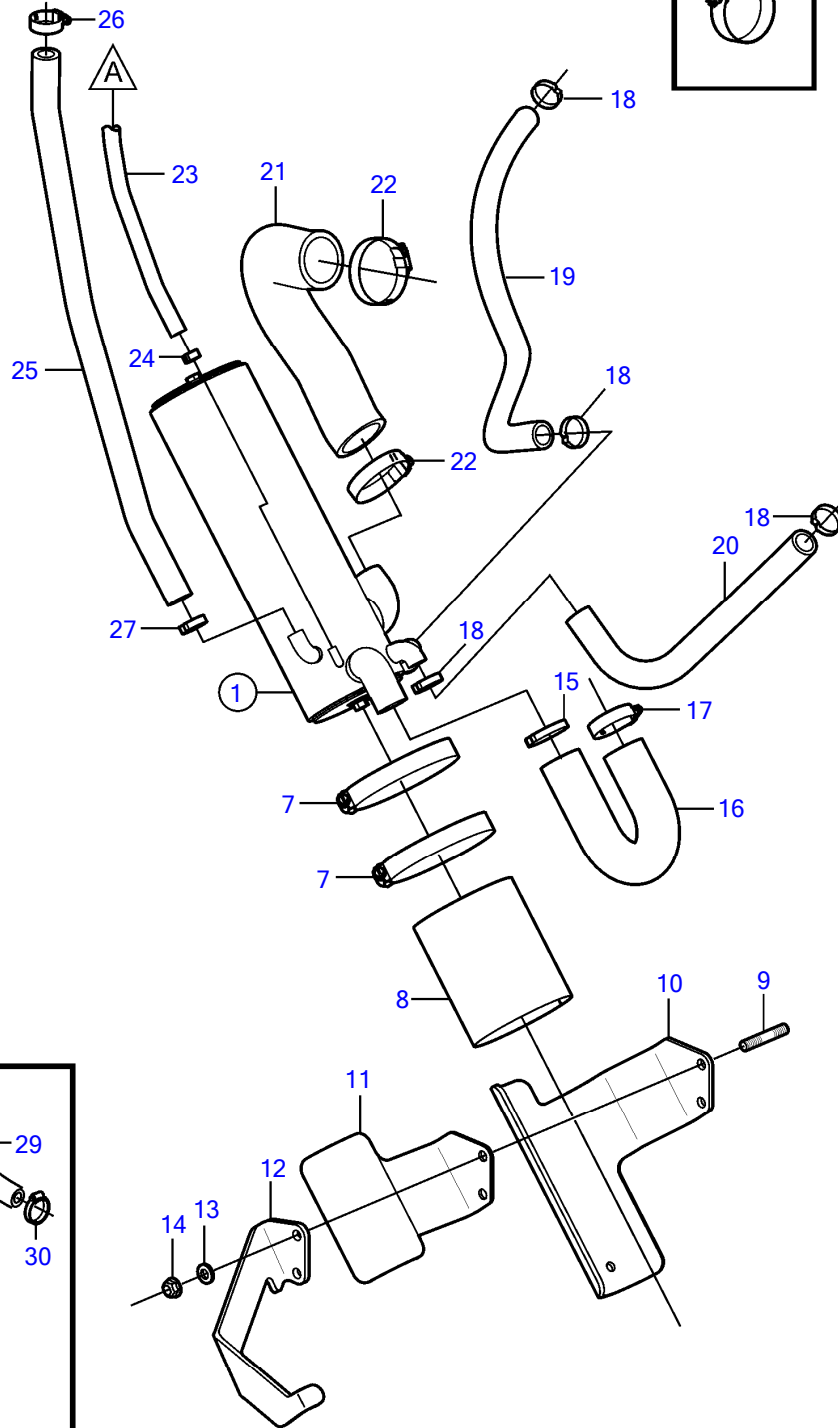
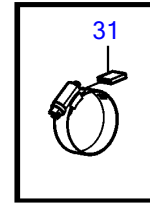
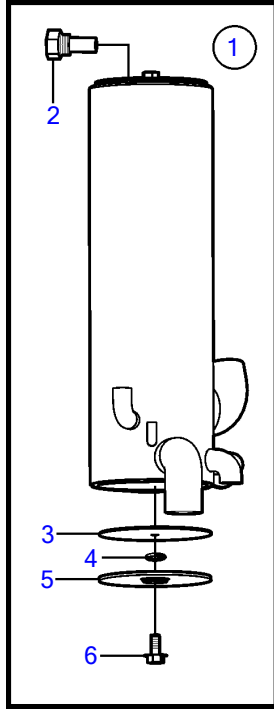


5.0OSi-E, 5.0OSi-EF



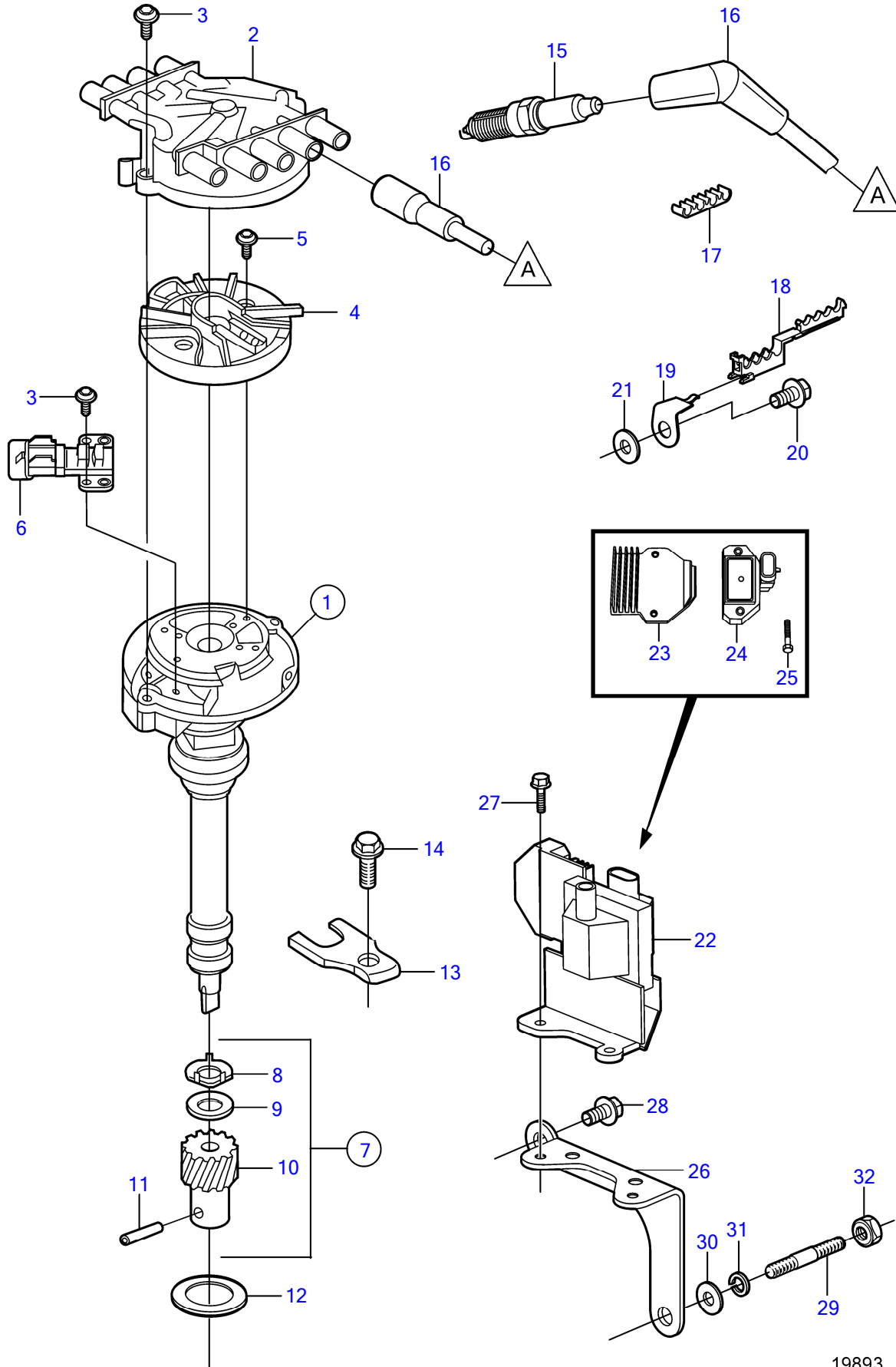
19889

5.0GXi-EF, 5.0OSi-EF

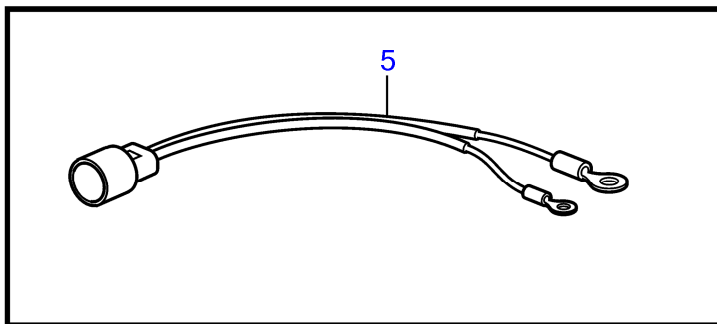
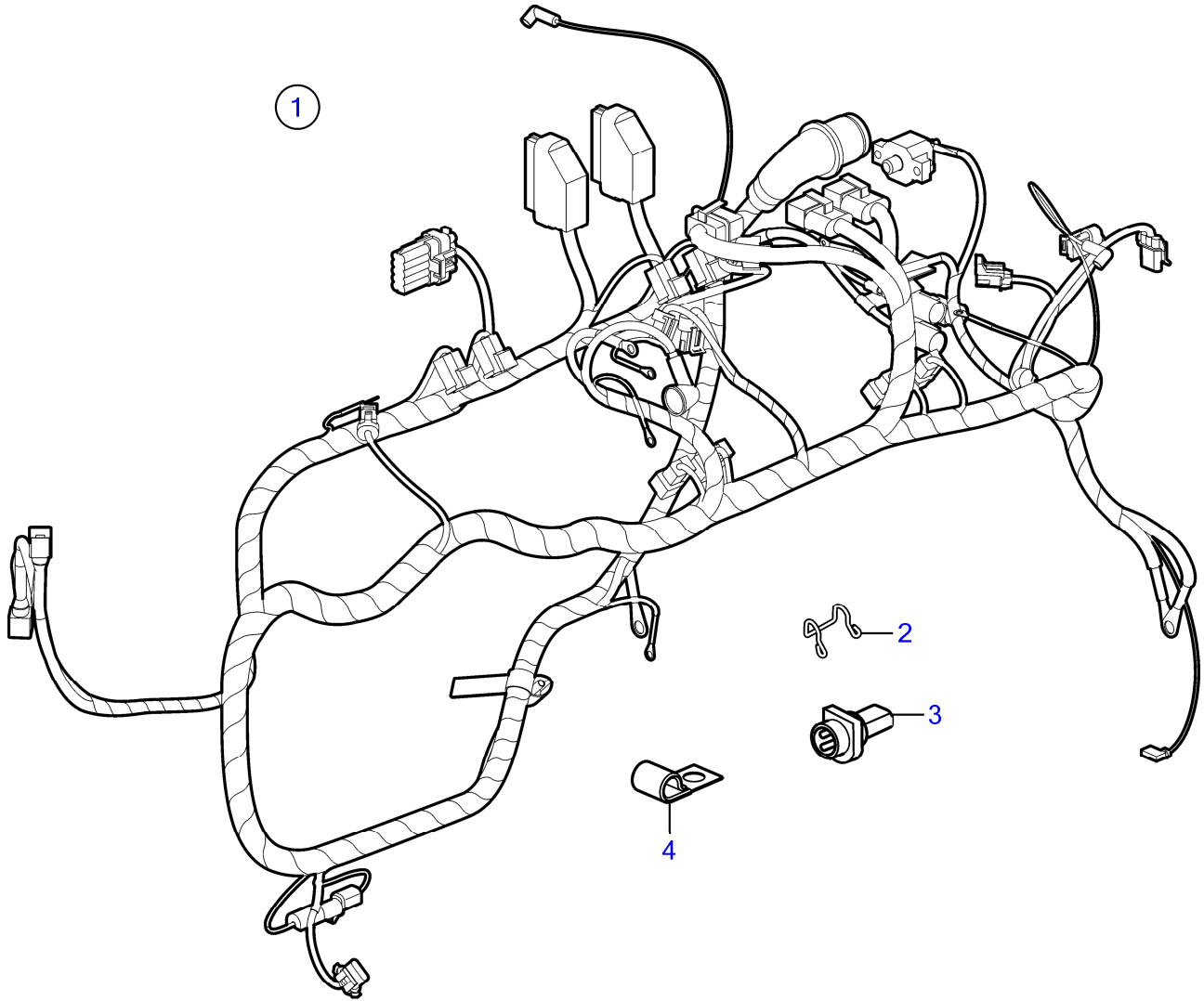


19901

5.0GXi-E, 5.0GXi-EF, 5.0OSi-E, 5.0OSi-EF



5.0GXi-E, 5.0GXi-EF, 5.0OSi-E, 5.0OSi-EF



DESCRIPTION	SEE SEC.	NOTES
Cylinder Head	54169706	5.0GXi-E, 5.0GXi-EF, 5.0OSi-E, 5.0OSi-EF

REF	DESCRIPTION	SEE SEC.
331	Starter Motor	331

CLICK HERE TO **DOWNLOAD** THE COMPLETE MANUAL

- Thank you very much for reading the preview of the manual.
- You can download the complete manual from: www.heydownloads.com by clicking the link below



- Please note: If there is no response to CLICKING the link, please download this PDF first and then click on it.

CLICK HERE TO **DOWNLOAD** THE COMPLETE MANUAL