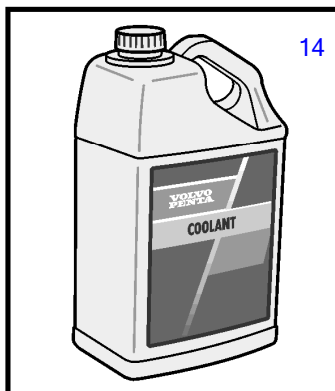
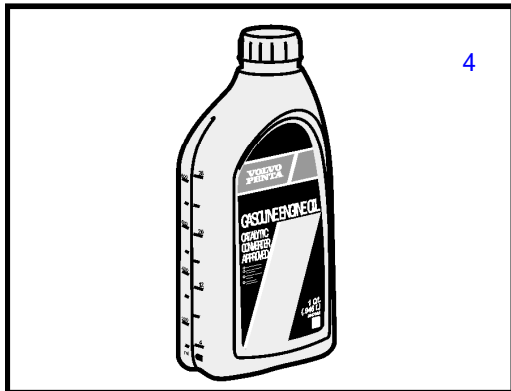
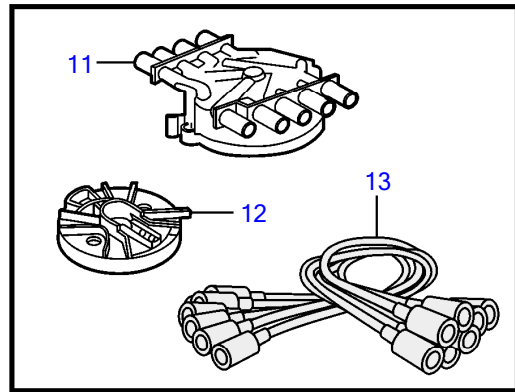
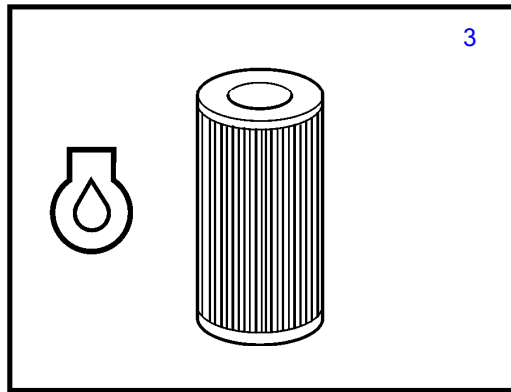
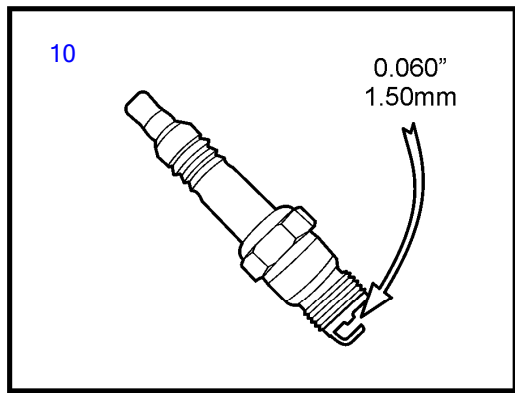
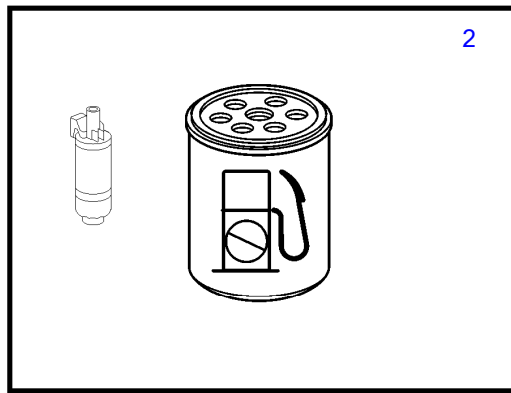
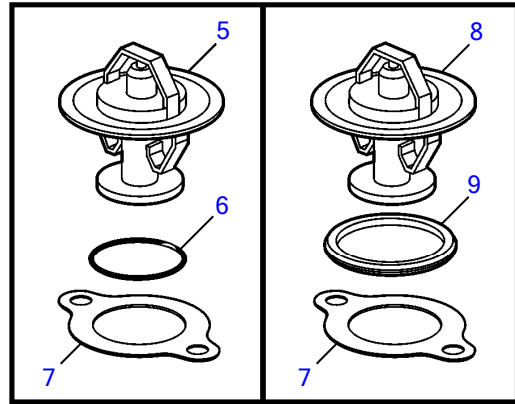


5.0GiC-J, 5.0GXIC-J, 5.0GXIC-JF



25144

CLICK HERE TO **DOWNLOAD** THE COMPLETE MANUAL

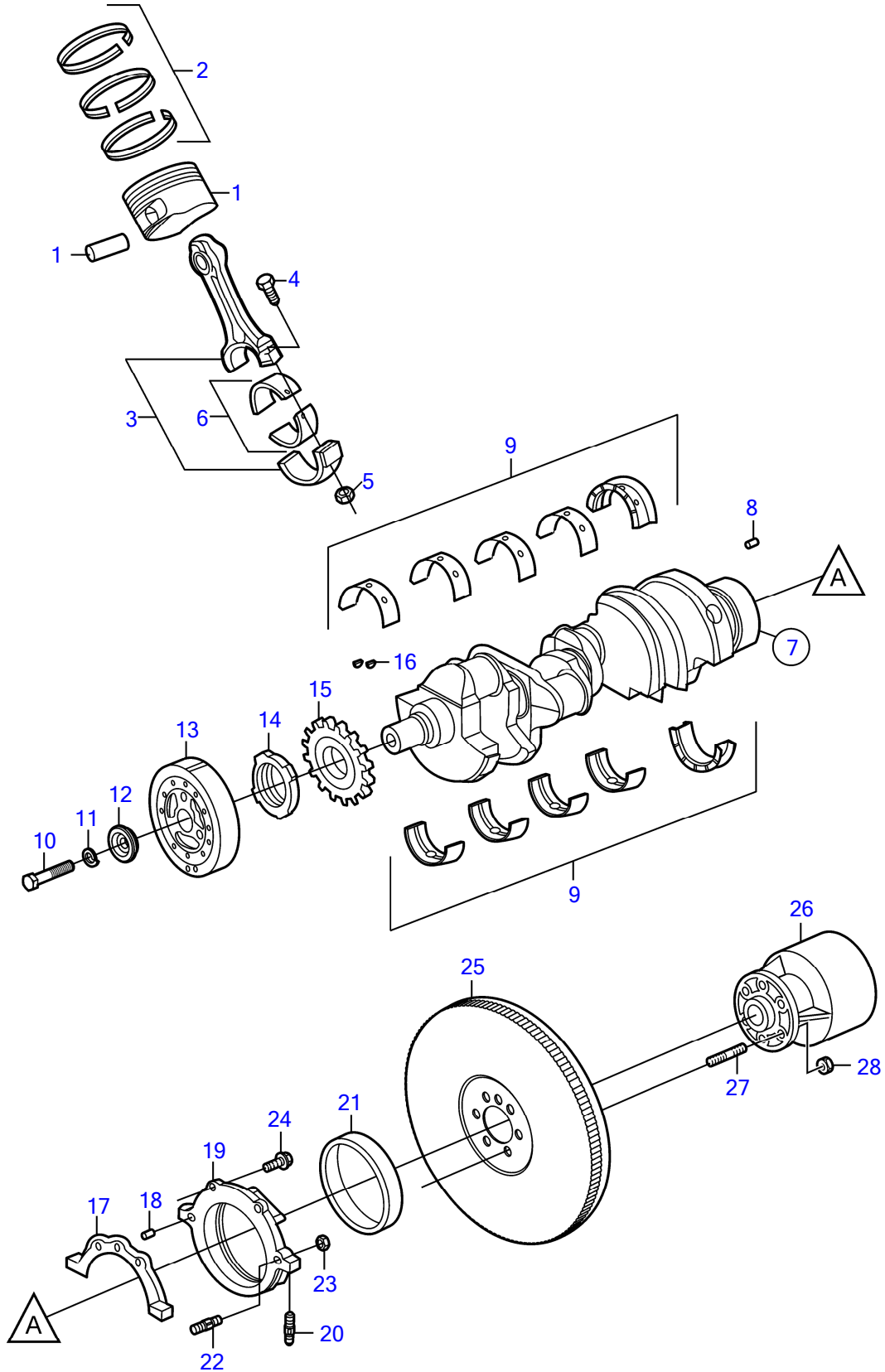
- Thank you very much for reading the preview of the manual.
- You can download the complete manual from: www.heydownloads.com by clicking the link below



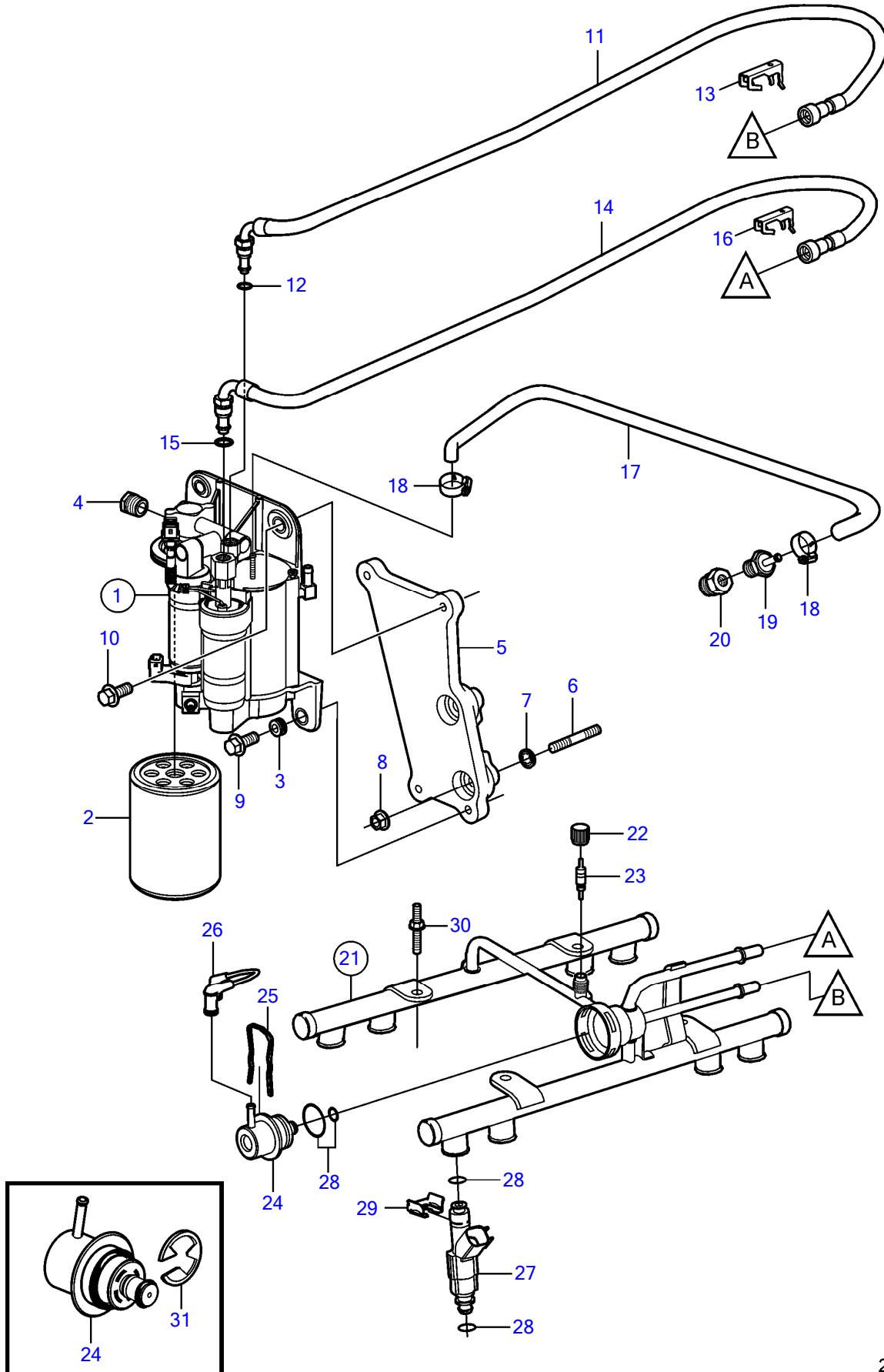
- Please note: If there is no response to CLICKING the link, please download this PDF first and then click on it.

CLICK HERE TO **DOWNLOAD** THE COMPLETE MANUAL

5.0GiC-J, 5.0GXiC-J, 5.0GXiC-JF

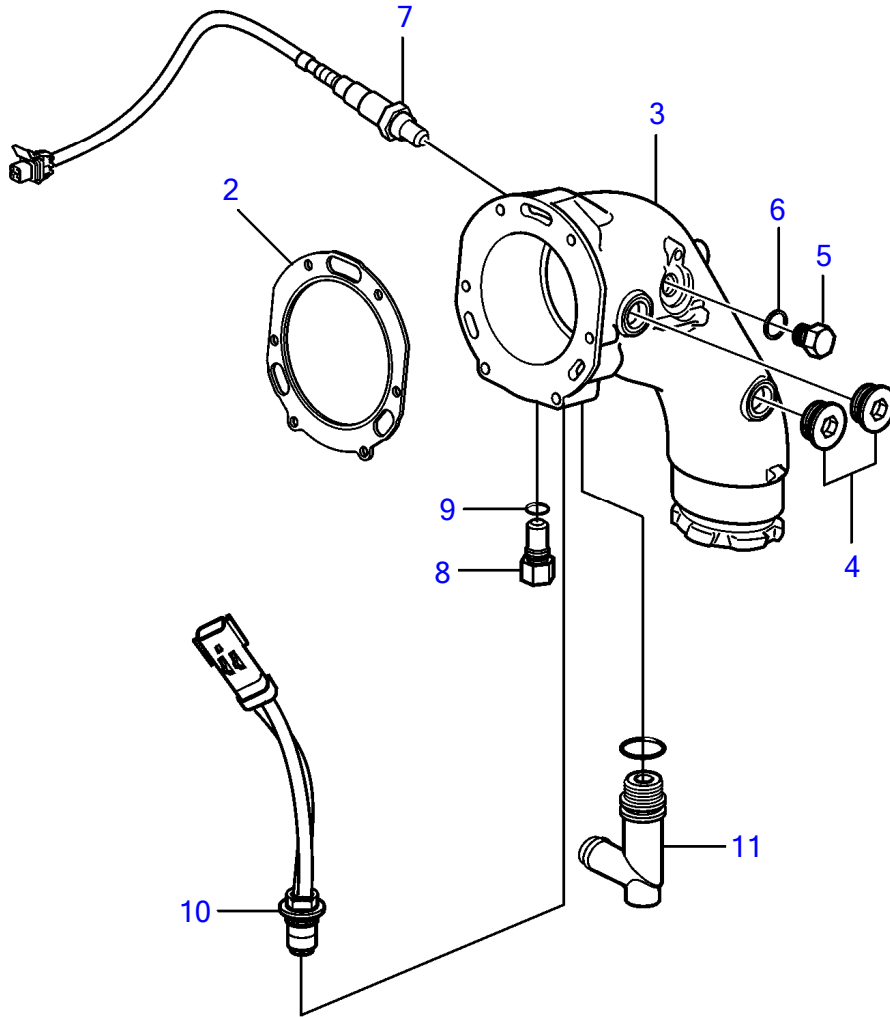


5.0GiC-J, 5.0GXiC-J, 5.0GXiC-JF

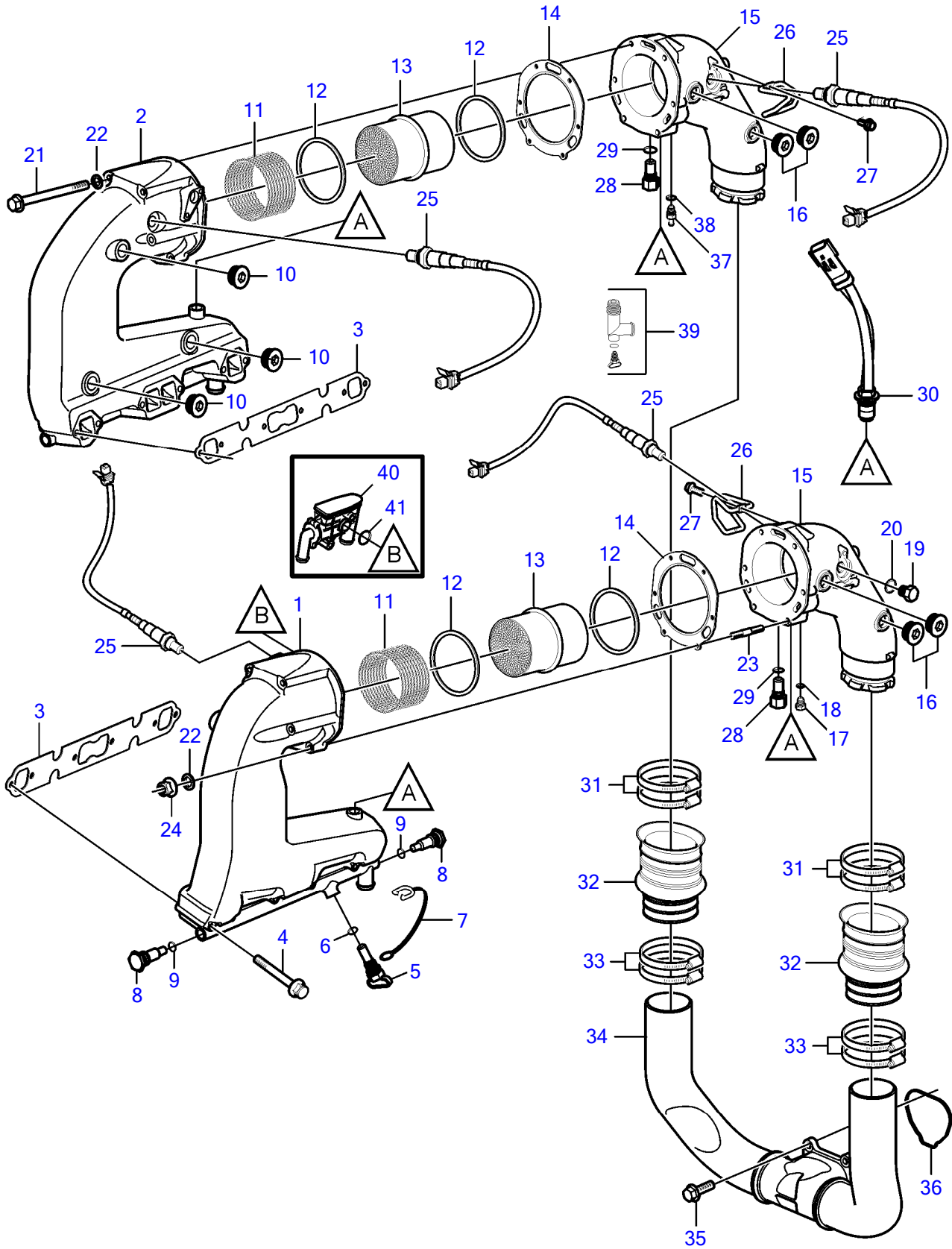


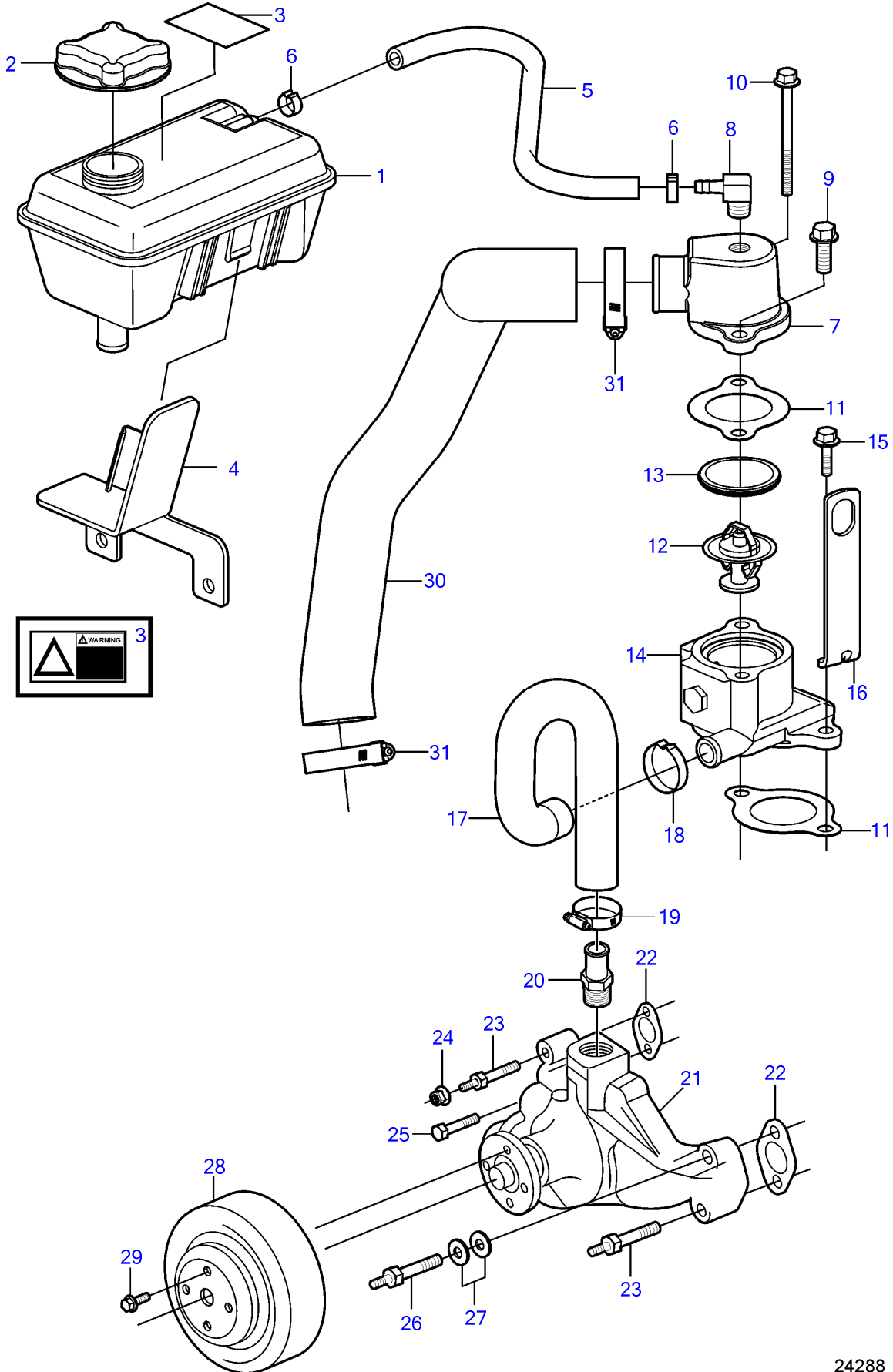
5.0GiC-J, 5.0GXiC-J, 5.0GXiC-JF

1



5.0GiC-J, 5.0GXIC-J, 5.0GXIC-JF





CLICK HERE TO **DOWNLOAD** THE COMPLETE MANUAL

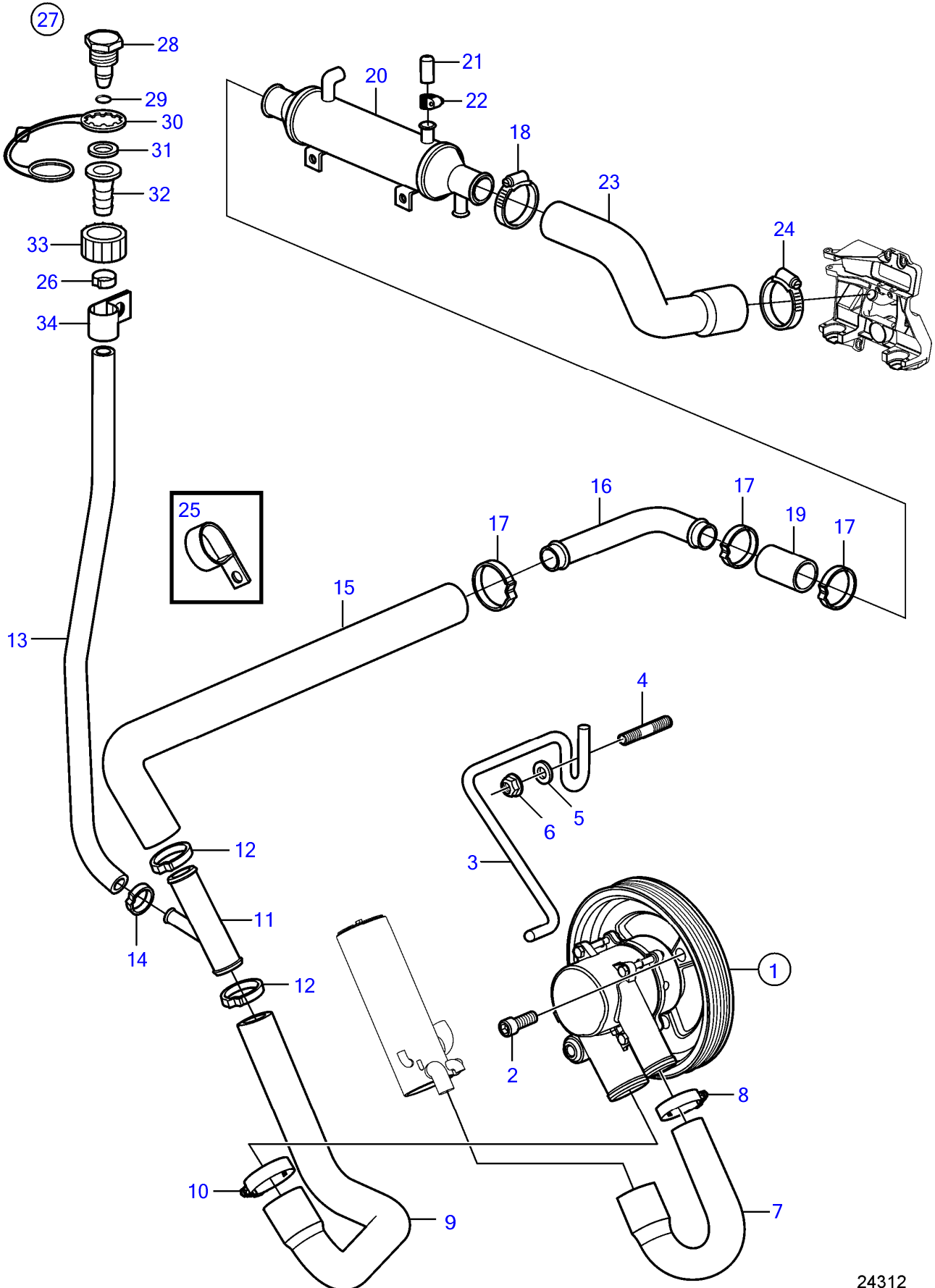
- Thank you very much for reading the preview of the manual.
- You can download the complete manual from: www.heydownloads.com by clicking the link below



- Please note: If there is no response to CLICKING the link, please download this PDF first and then click on it.

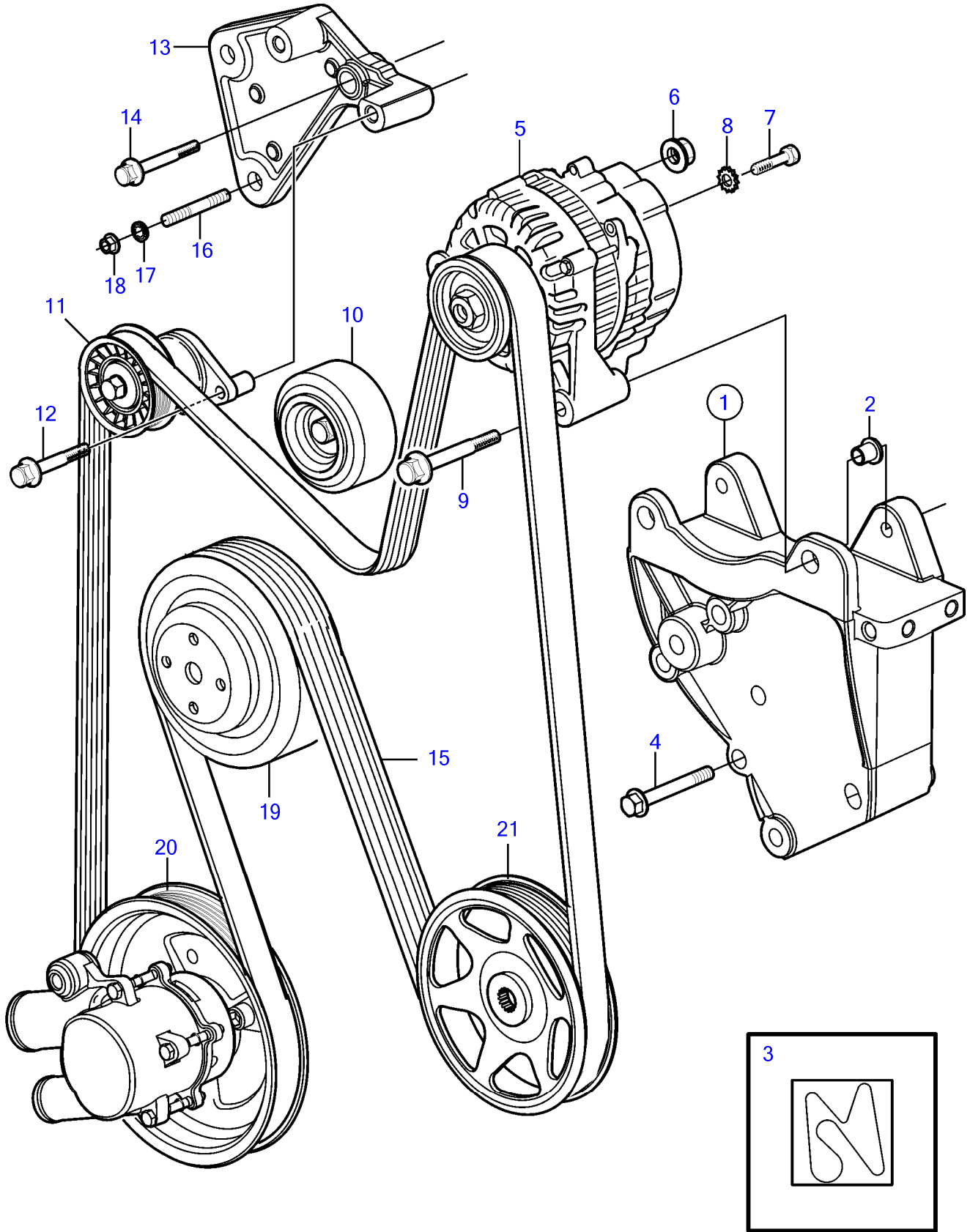
CLICK HERE TO **DOWNLOAD** THE COMPLETE MANUAL

5.0GXIC-JF

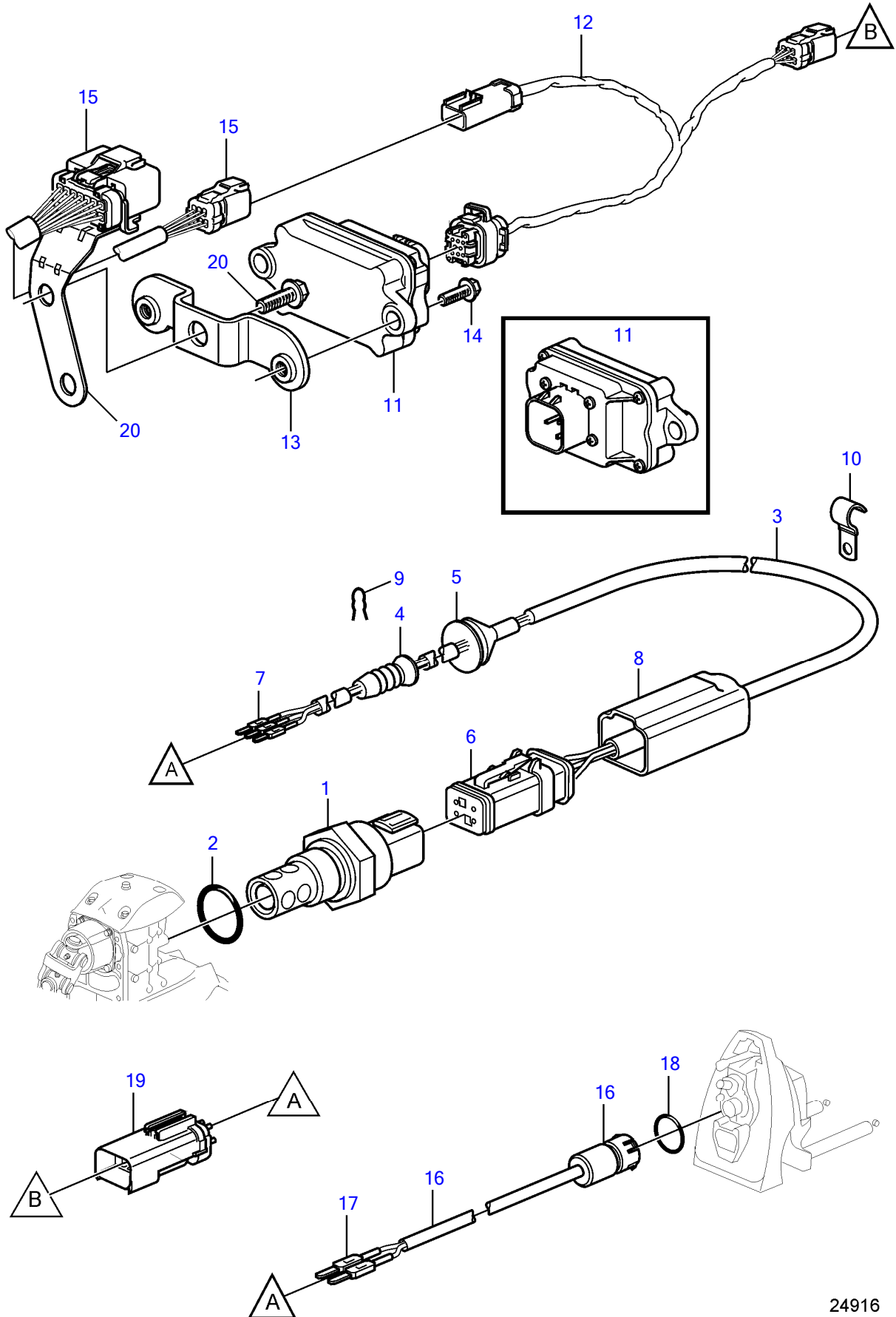


24312

5.0GiC-J, 5.0GXiC-J, 5.0GXiC-JF



5.0GiC-J, 5.0GXiC-J, 5.0GXiC-JF



24916

DESCRIPTION	SEE SEC.	NOTES
Camshaft and Valve Train	54161061	5.0GiC-J, 5.0GXic-J, 5.0GXic-JF

DESCRIPTION	SEE SEC.	NOTES
Heat Exchanger	54158738	5.0GXiC-JF

REF	DESCRIPTION	SEE SEC.
331	Starter Motor	331

CLICK HERE TO **DOWNLOAD** THE COMPLETE MANUAL

- Thank you very much for reading the preview of the manual.
- You can download the complete manual from: www.heydownloads.com by clicking the link below



- Please note: If there is no response to CLICKING the link, please download this PDF first and then click on it.

CLICK HERE TO **DOWNLOAD** THE COMPLETE MANUAL