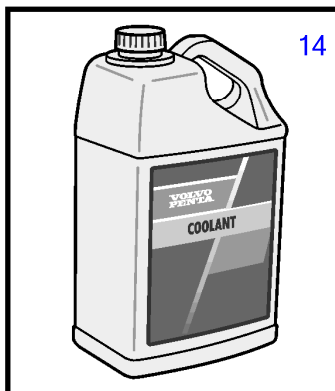
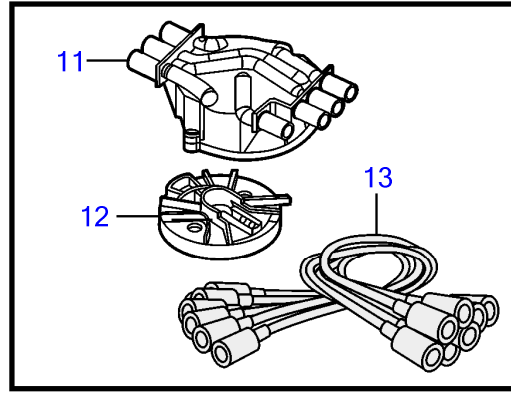
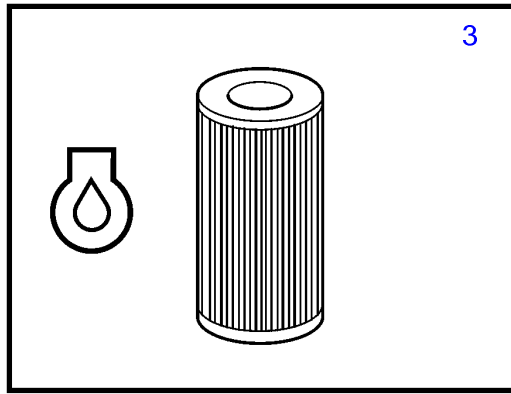
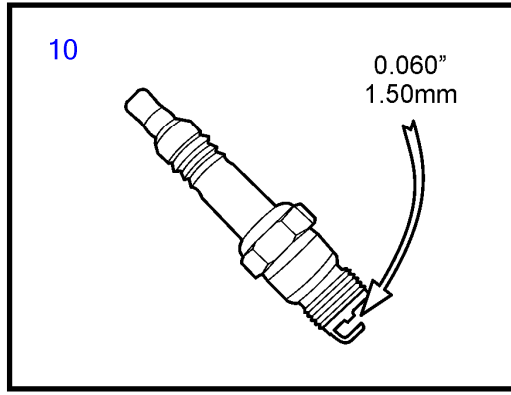
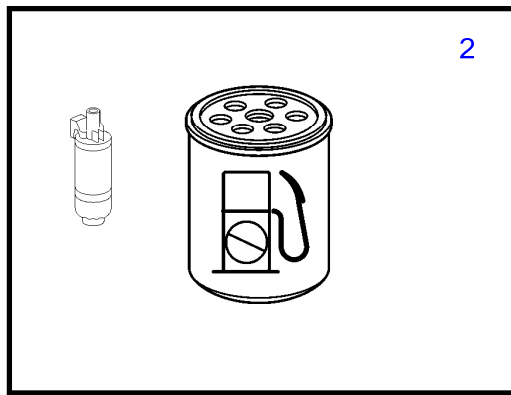
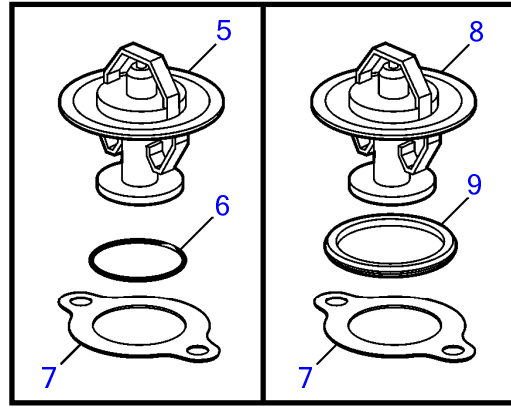
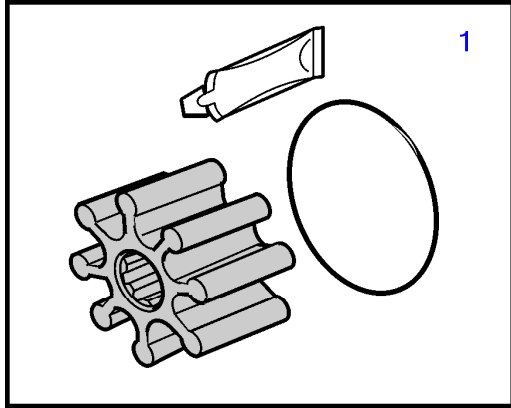


4.3GXIE-225-R, 4.3GXIE-M, 4.3GXIE-Q, V6-225-E-A



25133

CLICK HERE TO **DOWNLOAD** THE COMPLETE MANUAL

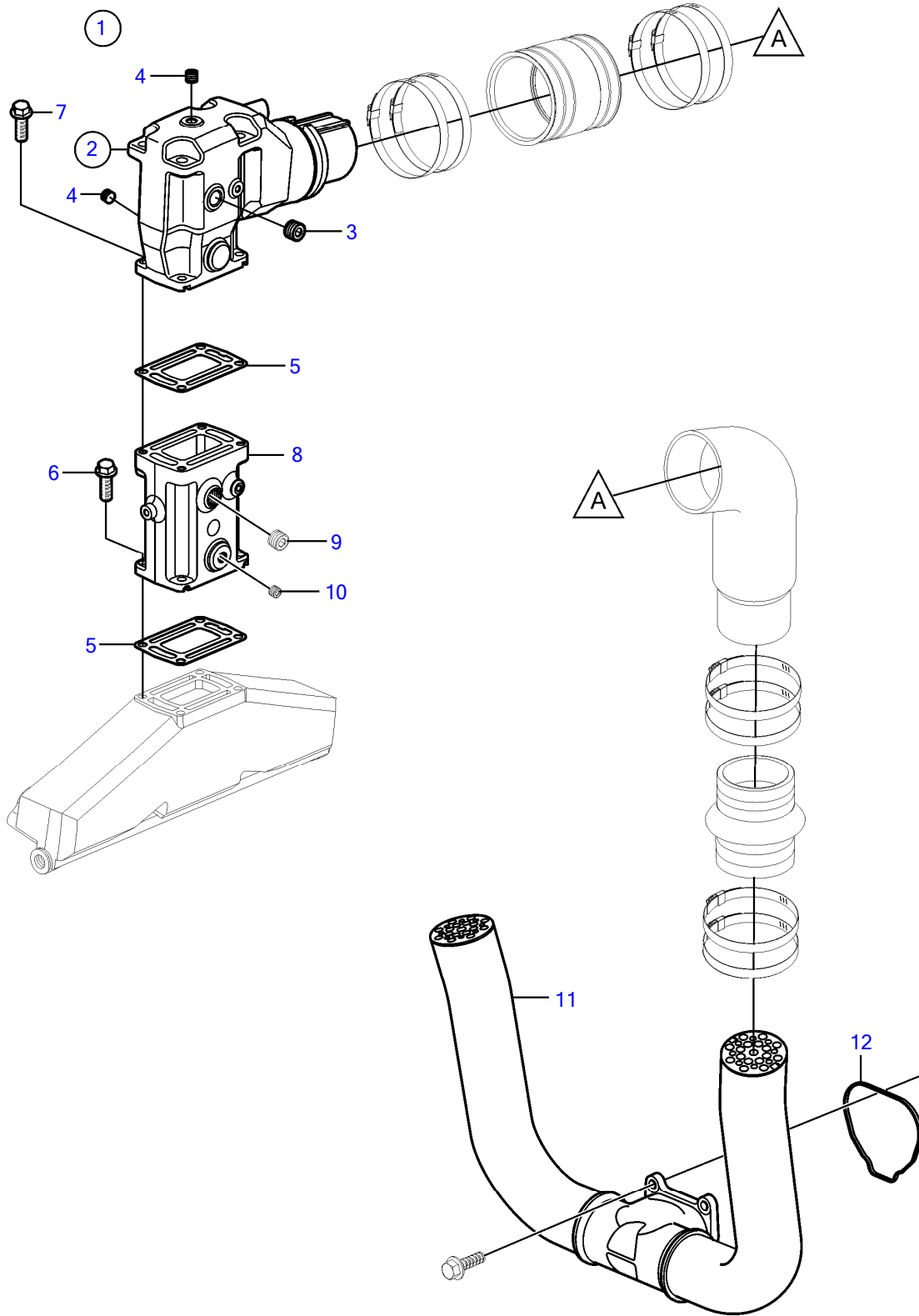
- Thank you very much for reading the preview of the manual.
- You can download the complete manual from: www.heydownloads.com by clicking the link below



- Please note: If there is no response to CLICKING the link, please download this PDF first and then click on it.

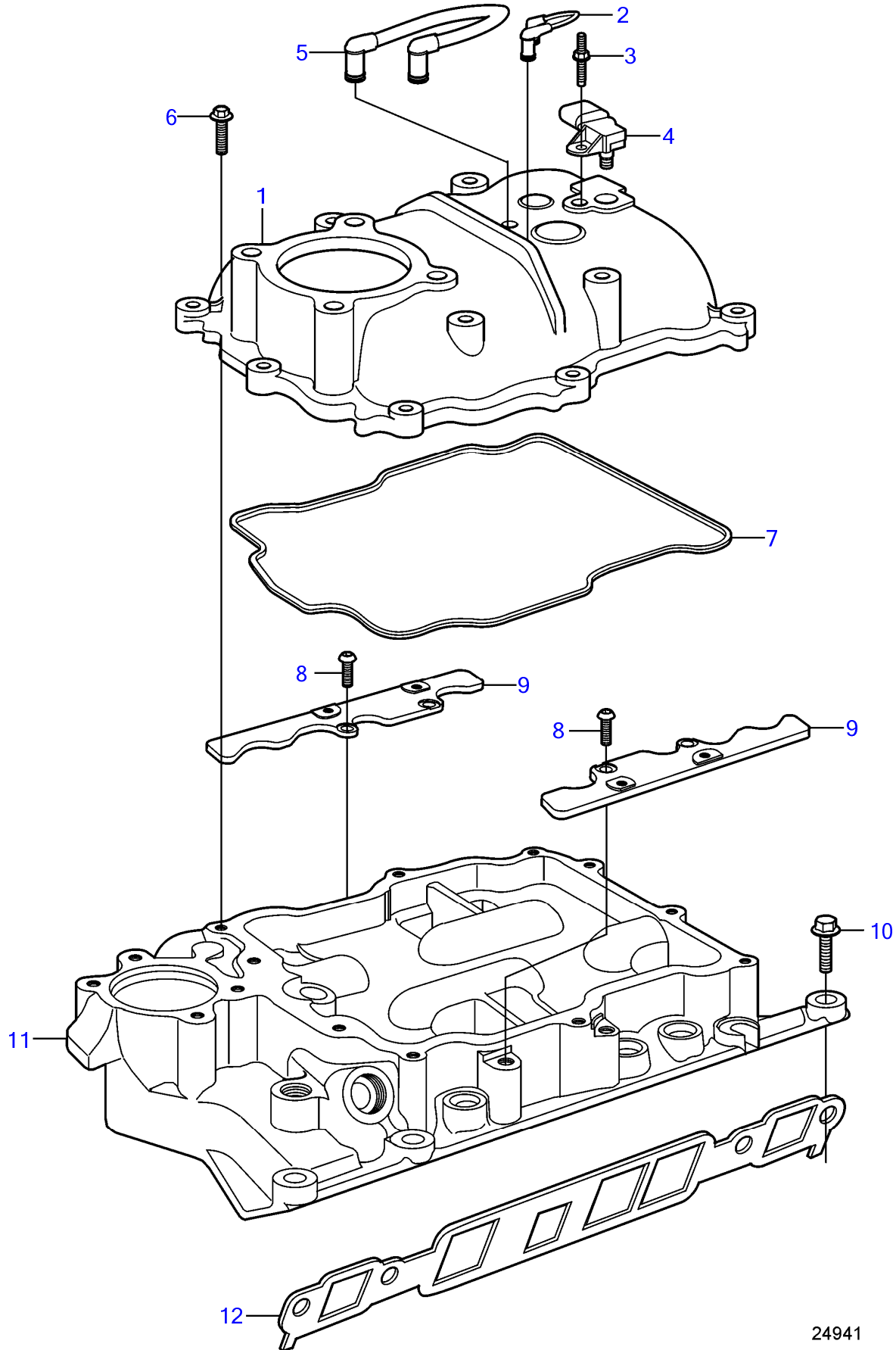
CLICK HERE TO **DOWNLOAD** THE COMPLETE MANUAL

4.3GXIE-225-R, 4.3GXIE-M, 4.3GXIE-Q, V6-225-E-A



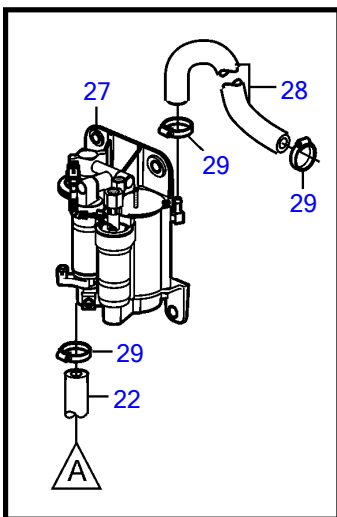
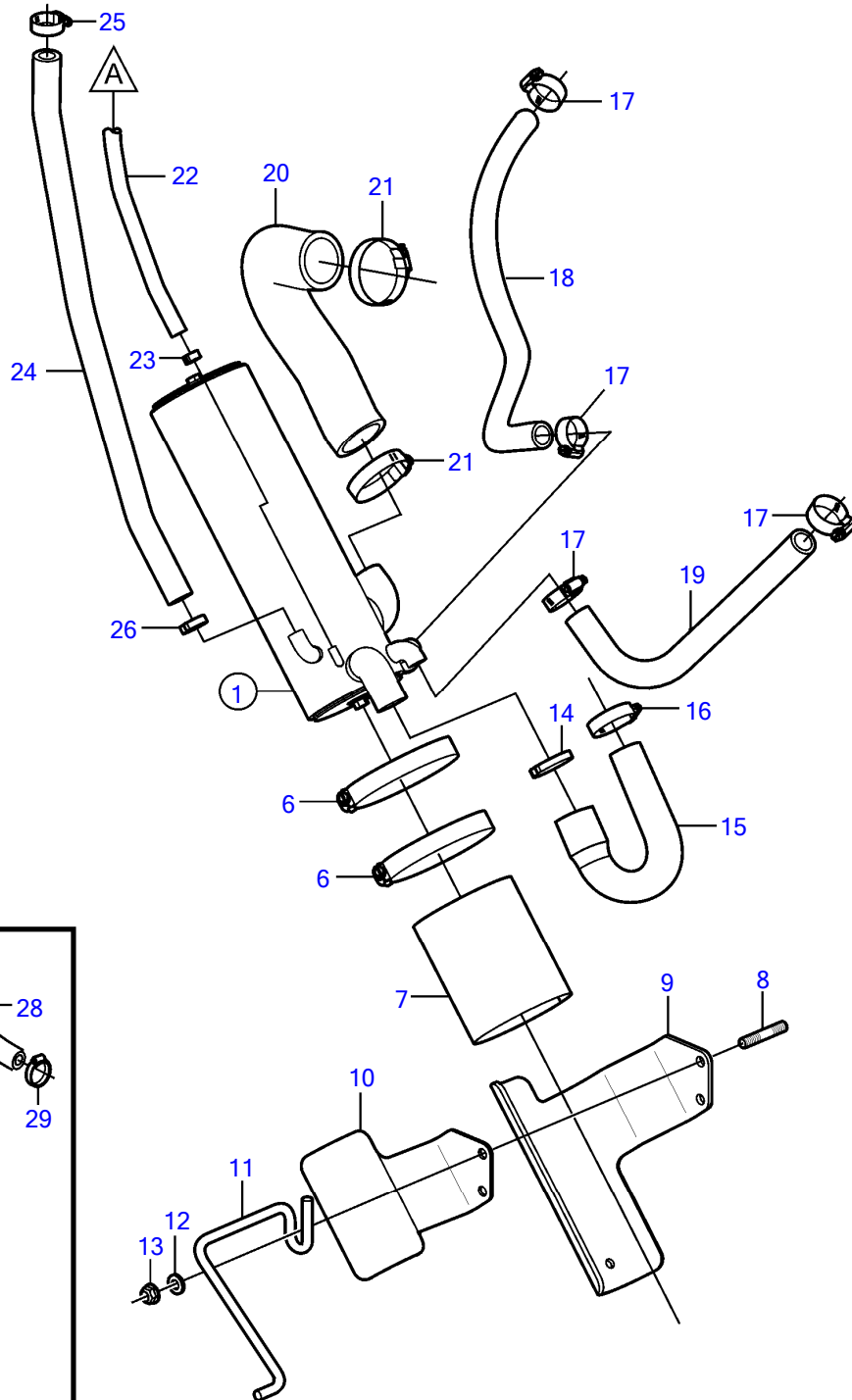
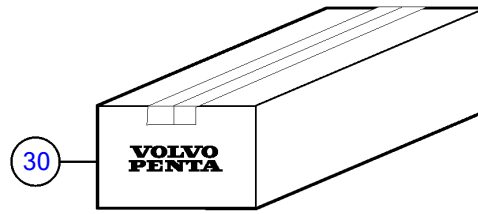
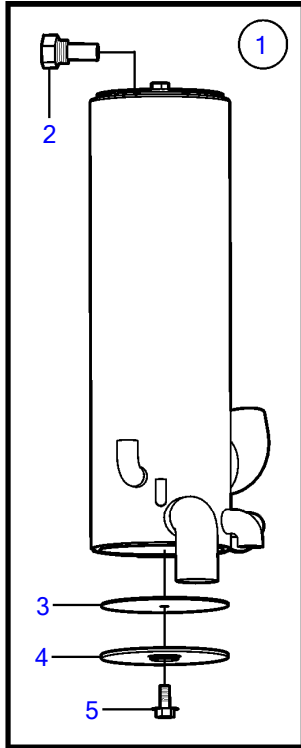
23782

4.3GXIE-225-R, 4.3GXIE-M, 4.3GXIE-Q, V6-225-E-A

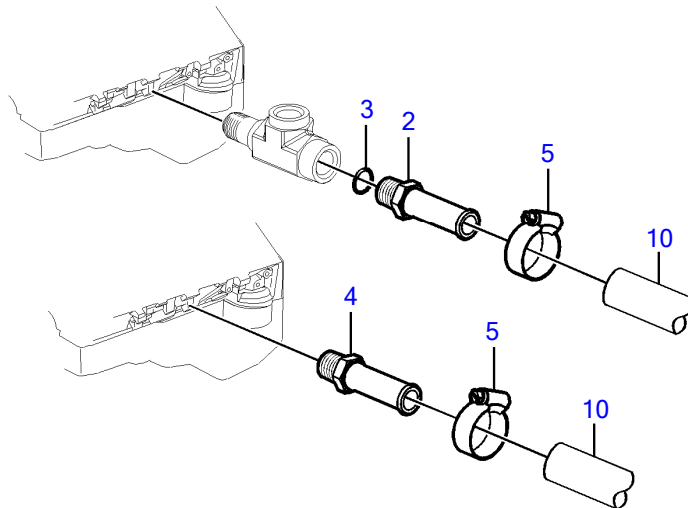
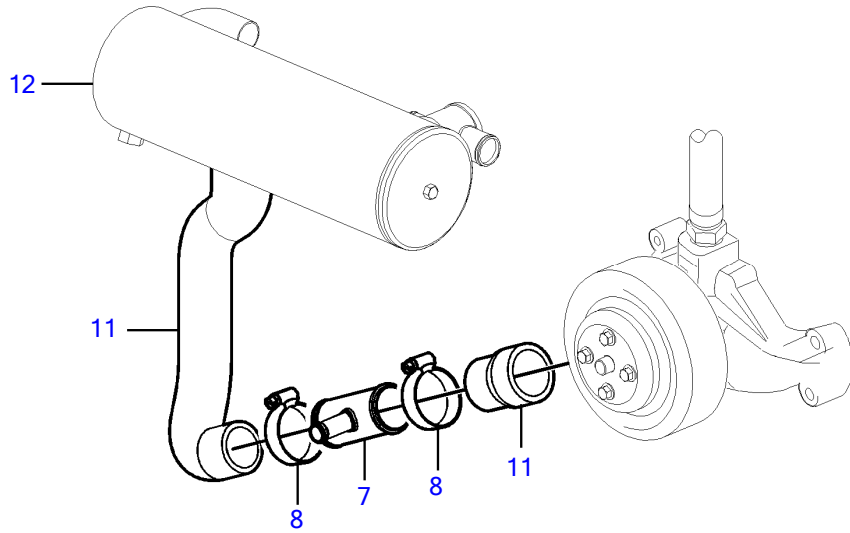
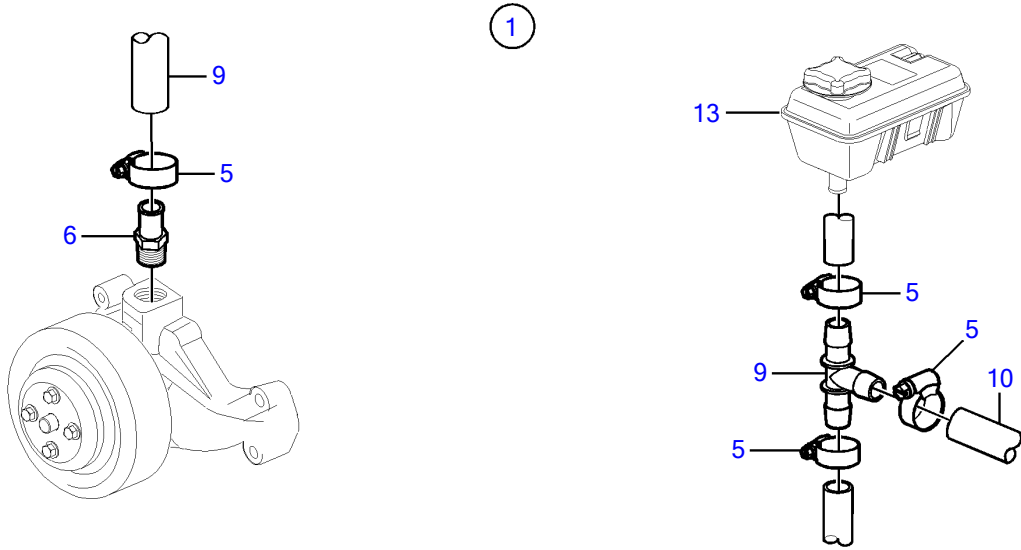


24941

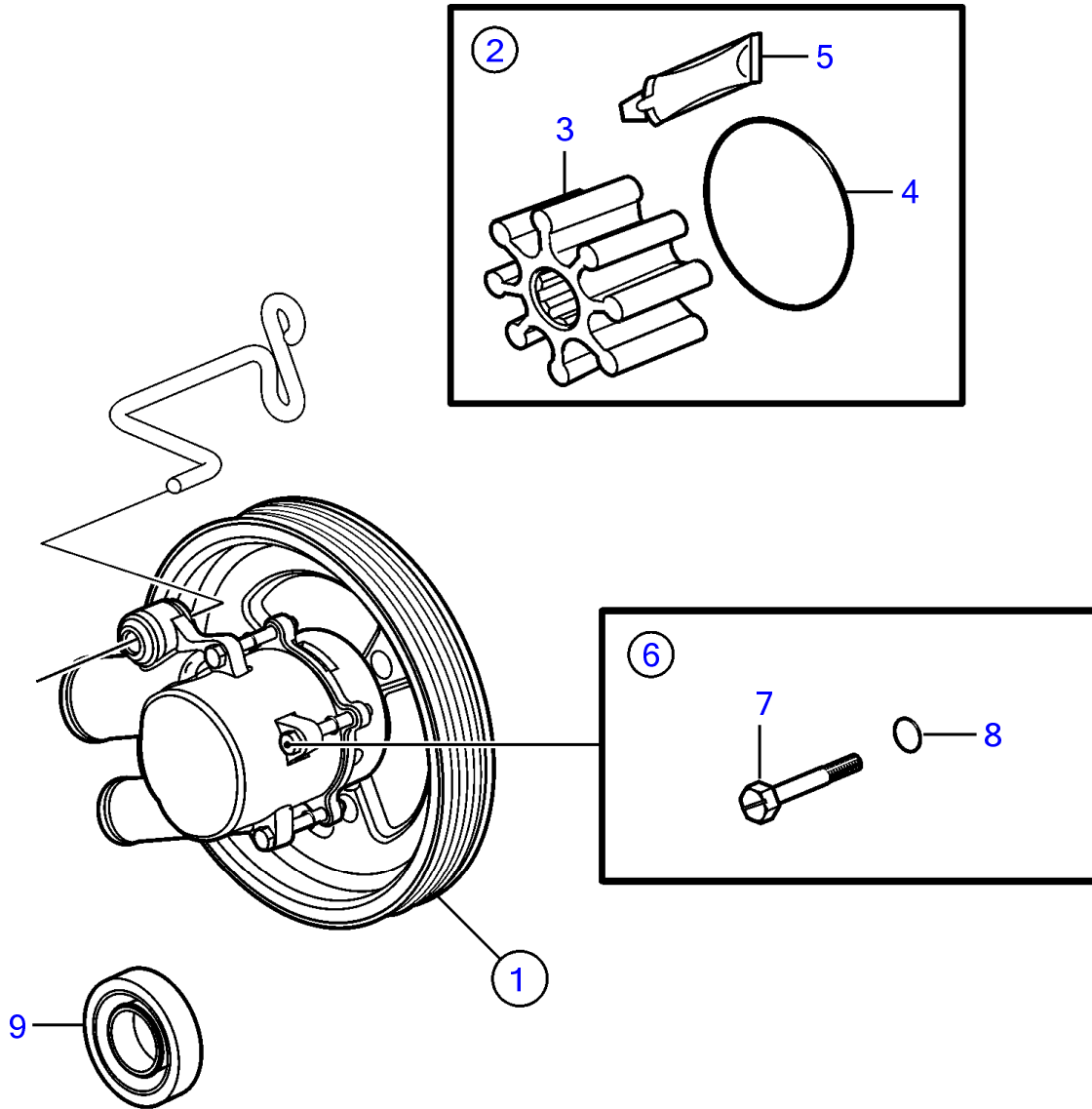
4.3GXIE-M



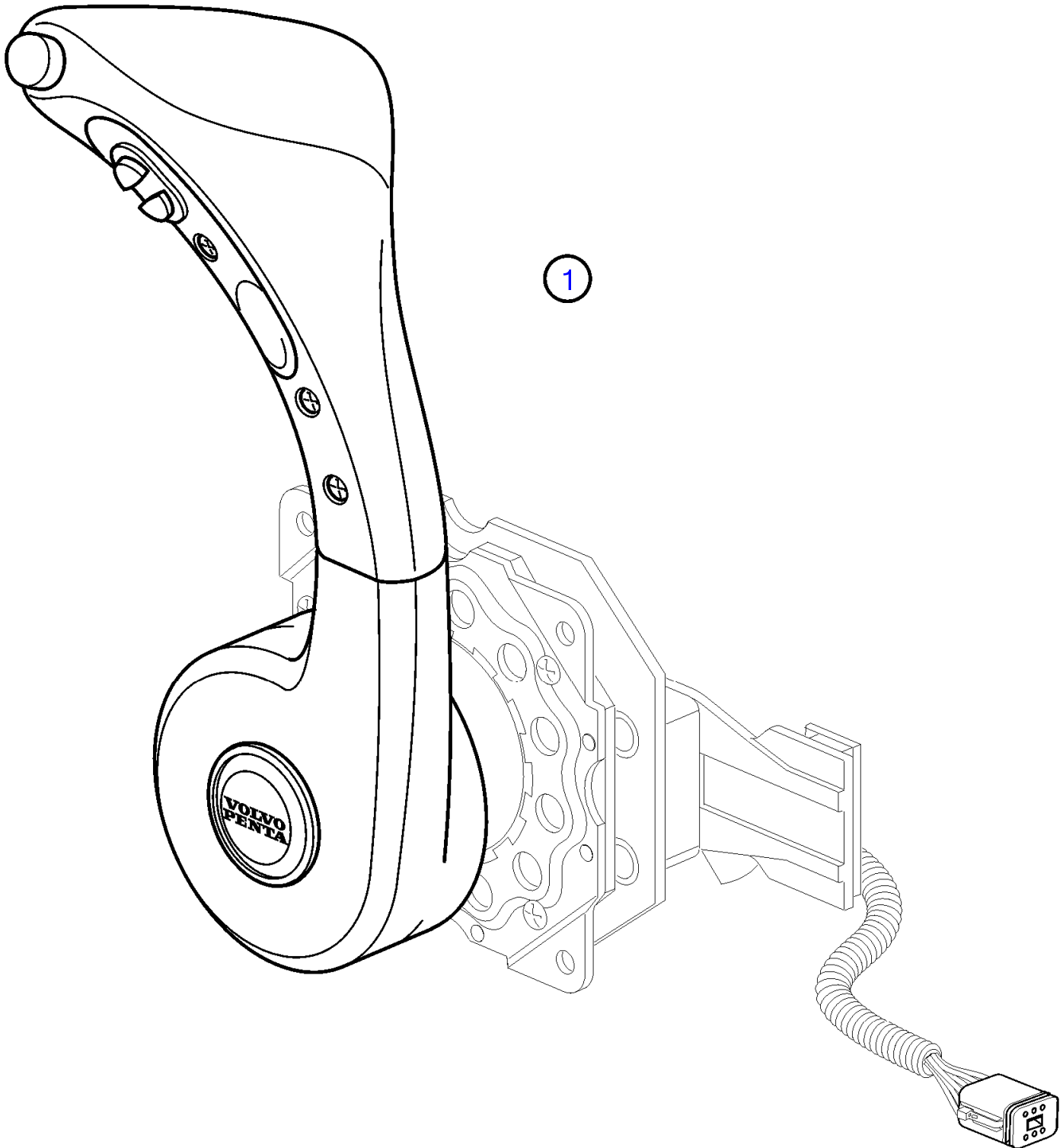
4.3GXIE-225-R, 4.3GXIE-Q, V6-225-E-A



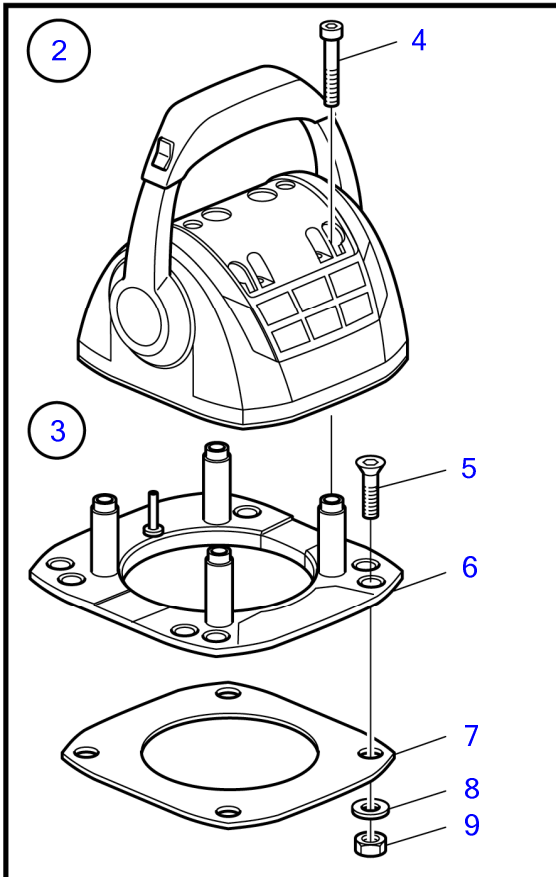
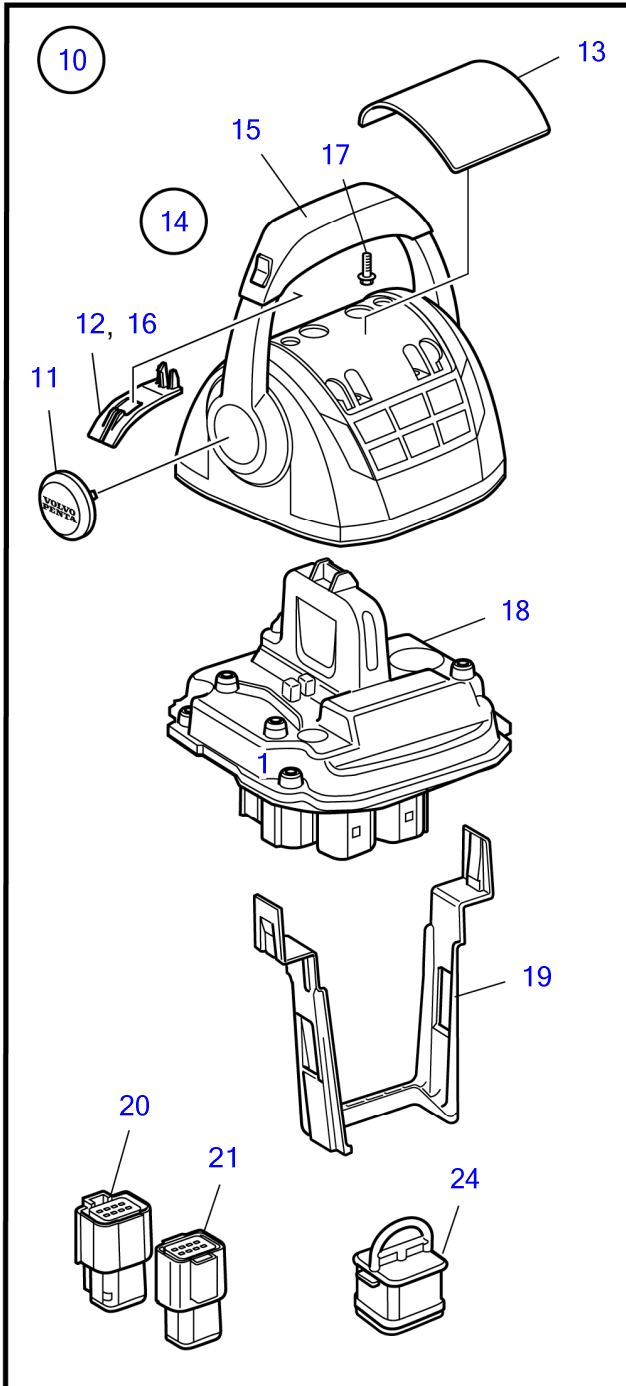
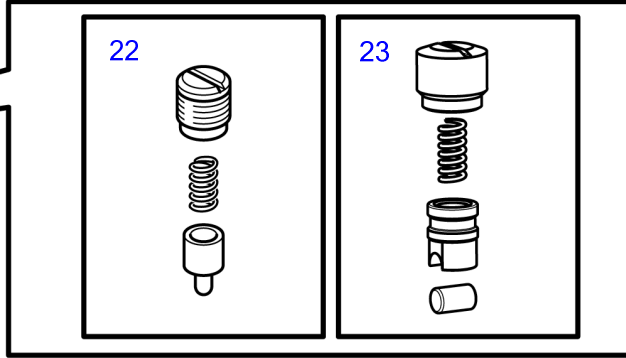
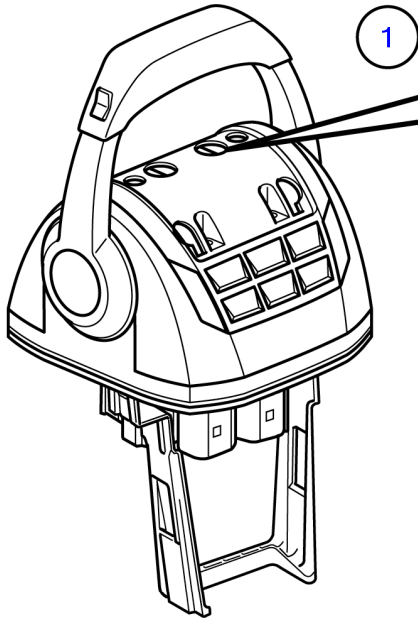
4.3GXIE-225-R, 4.3GXIE-225-S, 4.3GXIE-M, 4.3GXIE-Q, V6-225-E-A



4.3GXIE-M



V6-225-E-A



30464

CLICK HERE TO **DOWNLOAD** THE COMPLETE MANUAL

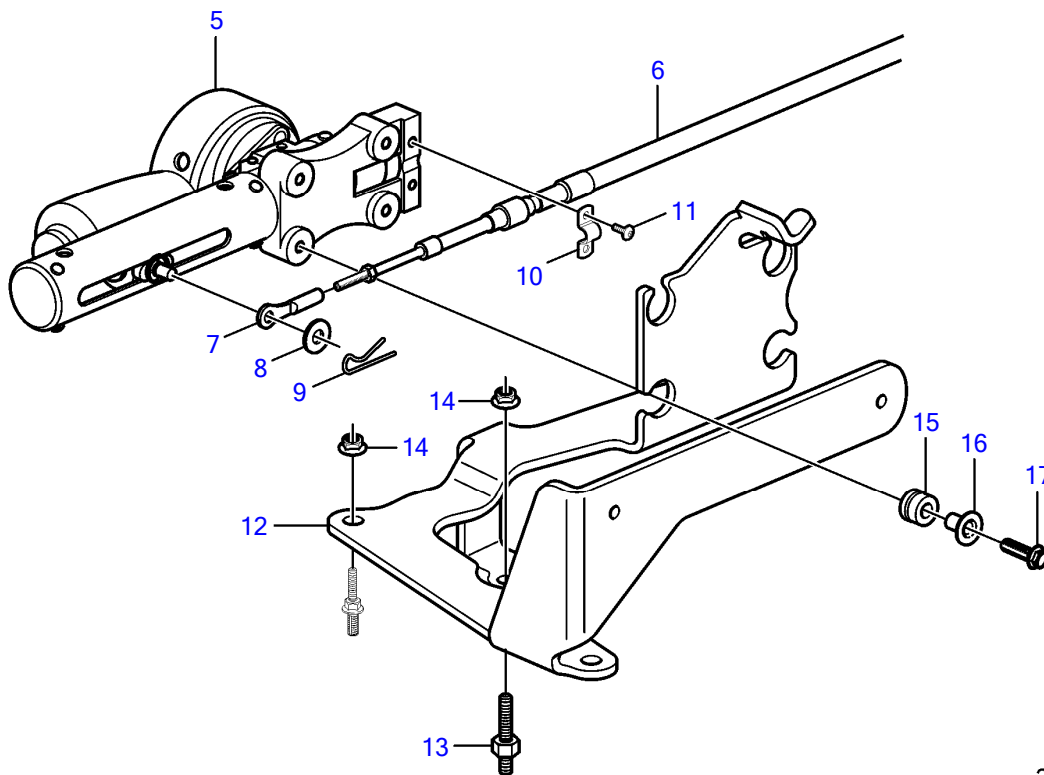
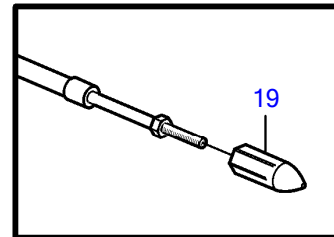
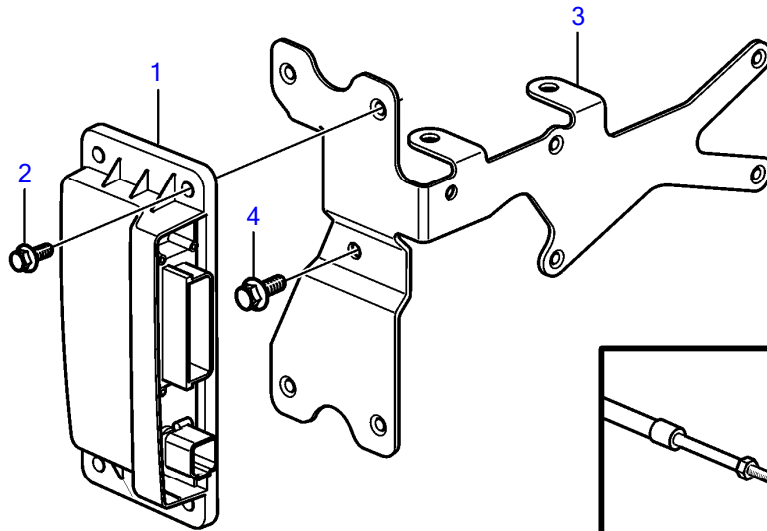
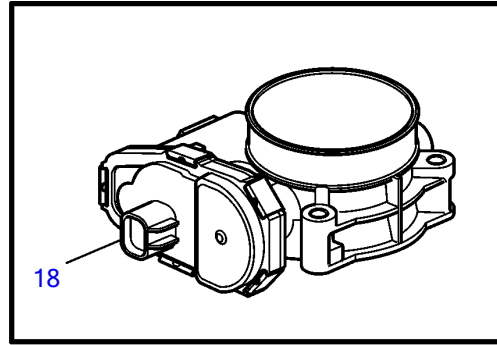
- Thank you very much for reading the preview of the manual.
- You can download the complete manual from: www.heydownloads.com by clicking the link below



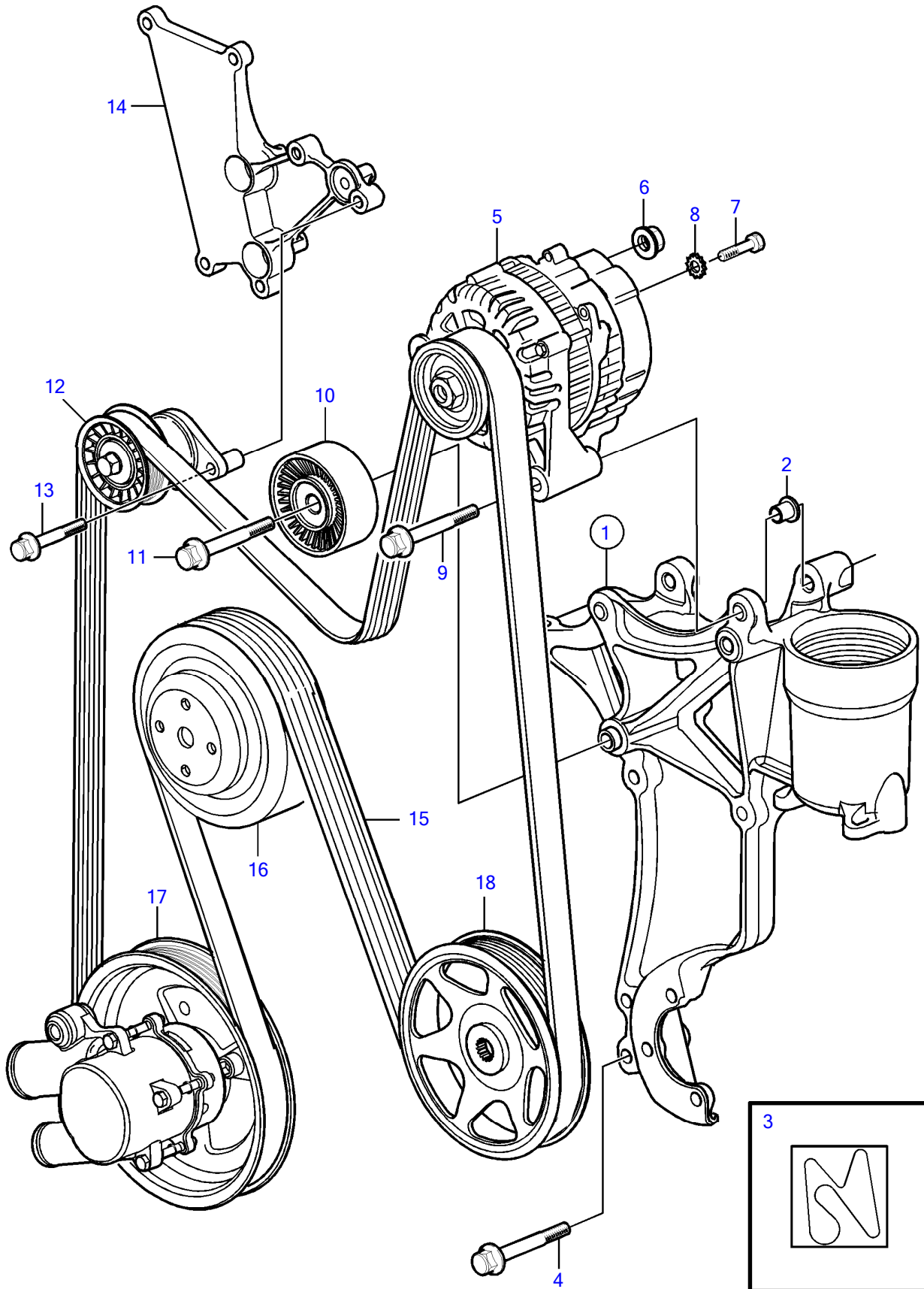
- Please note: If there is no response to CLICKING the link, please download this PDF first and then click on it.

CLICK HERE TO **DOWNLOAD** THE COMPLETE MANUAL

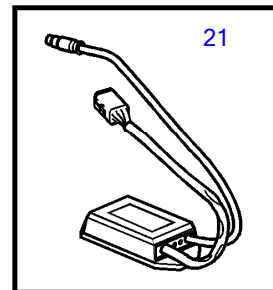
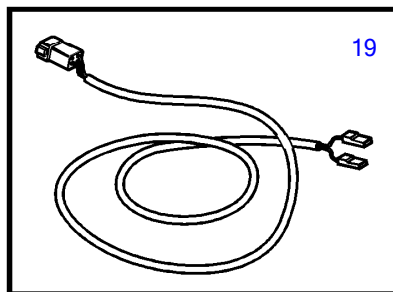
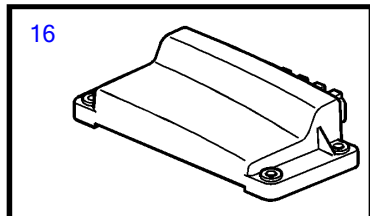
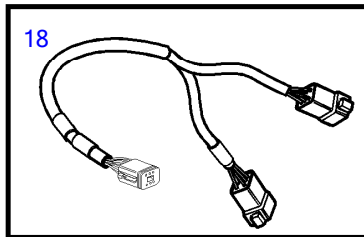
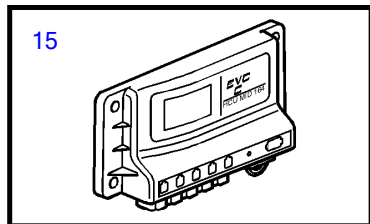
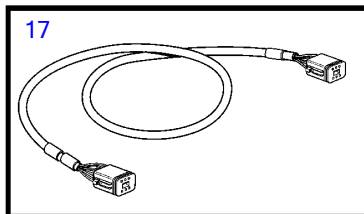
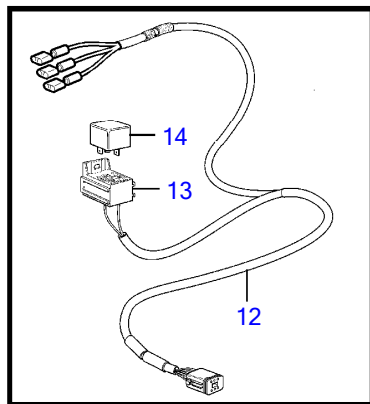
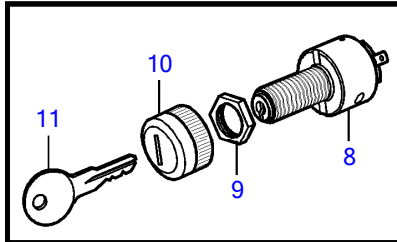
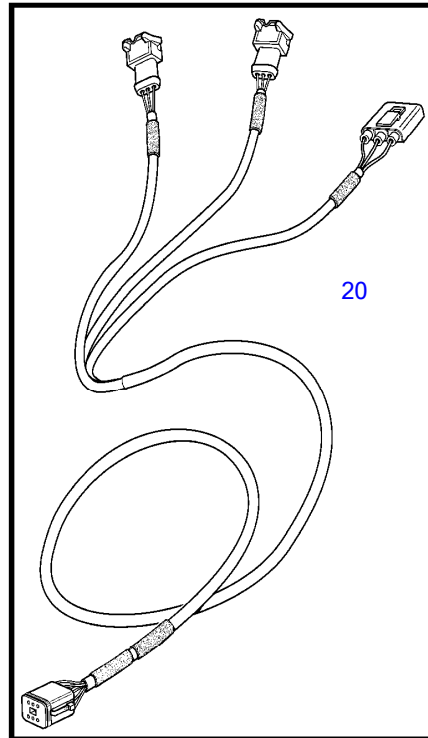
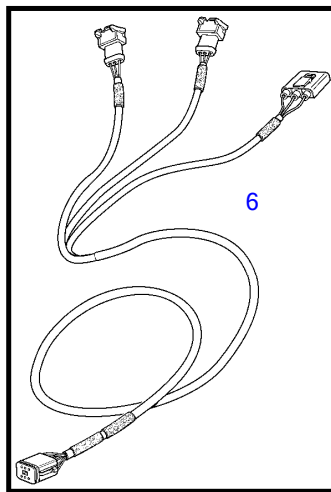
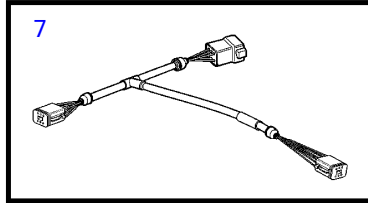
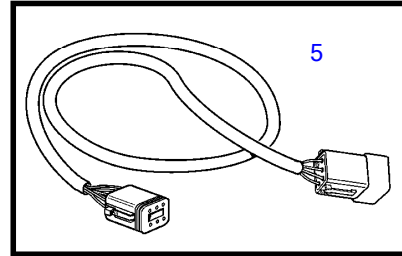
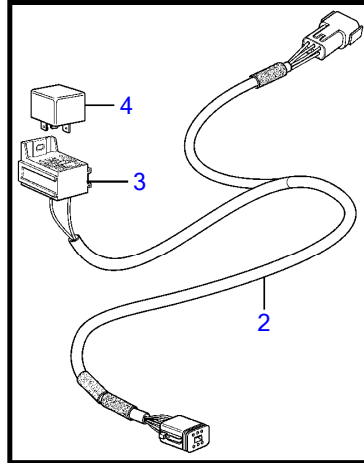
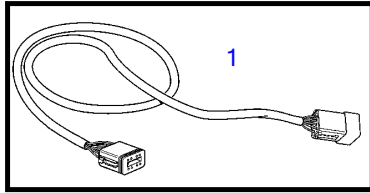
4.3GXIE-225-R, 4.3GXIE-Q



4.3GXIE-225-R, 4.3GXIE-Q

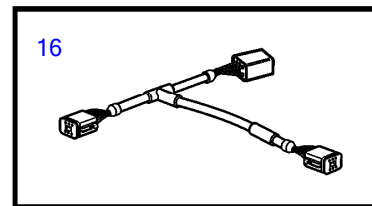
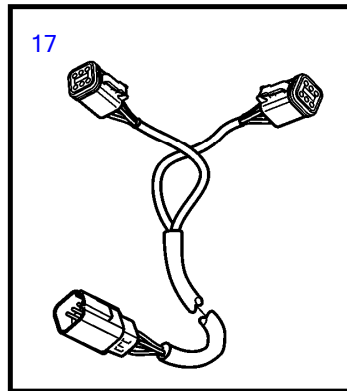
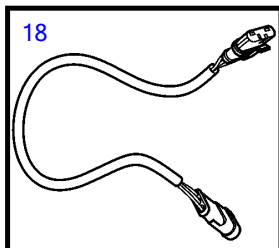
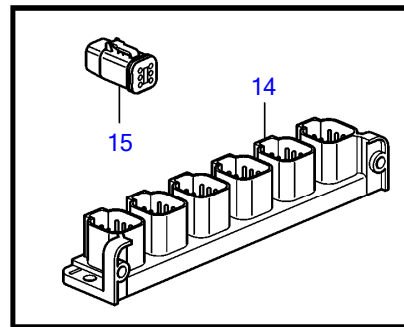
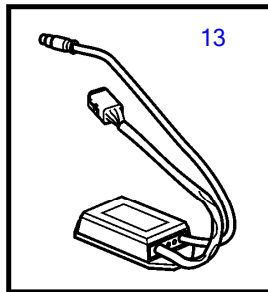
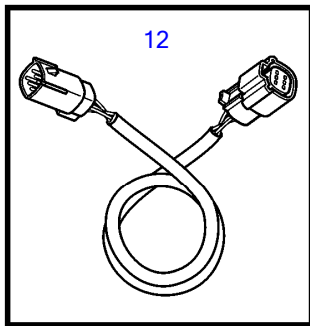
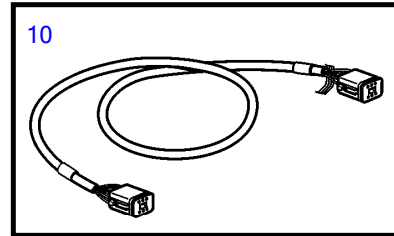
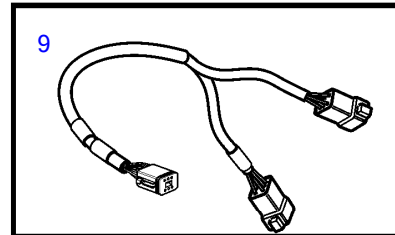
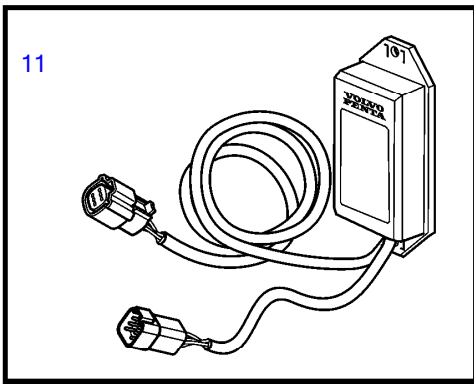
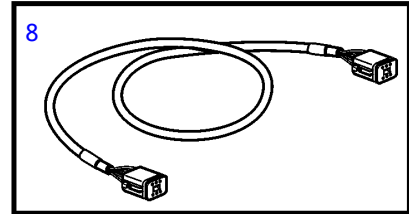
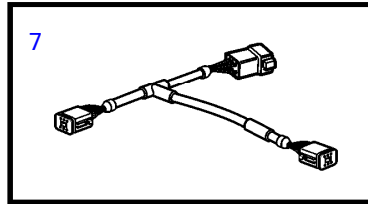
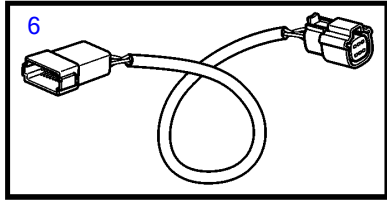
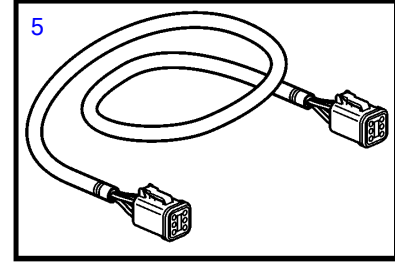
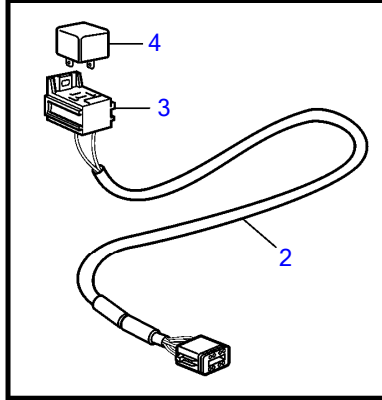
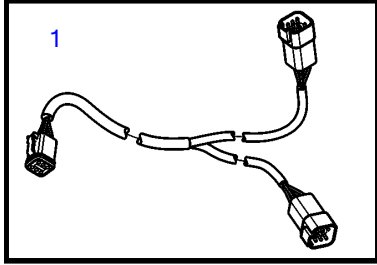


4.3GXIE-M



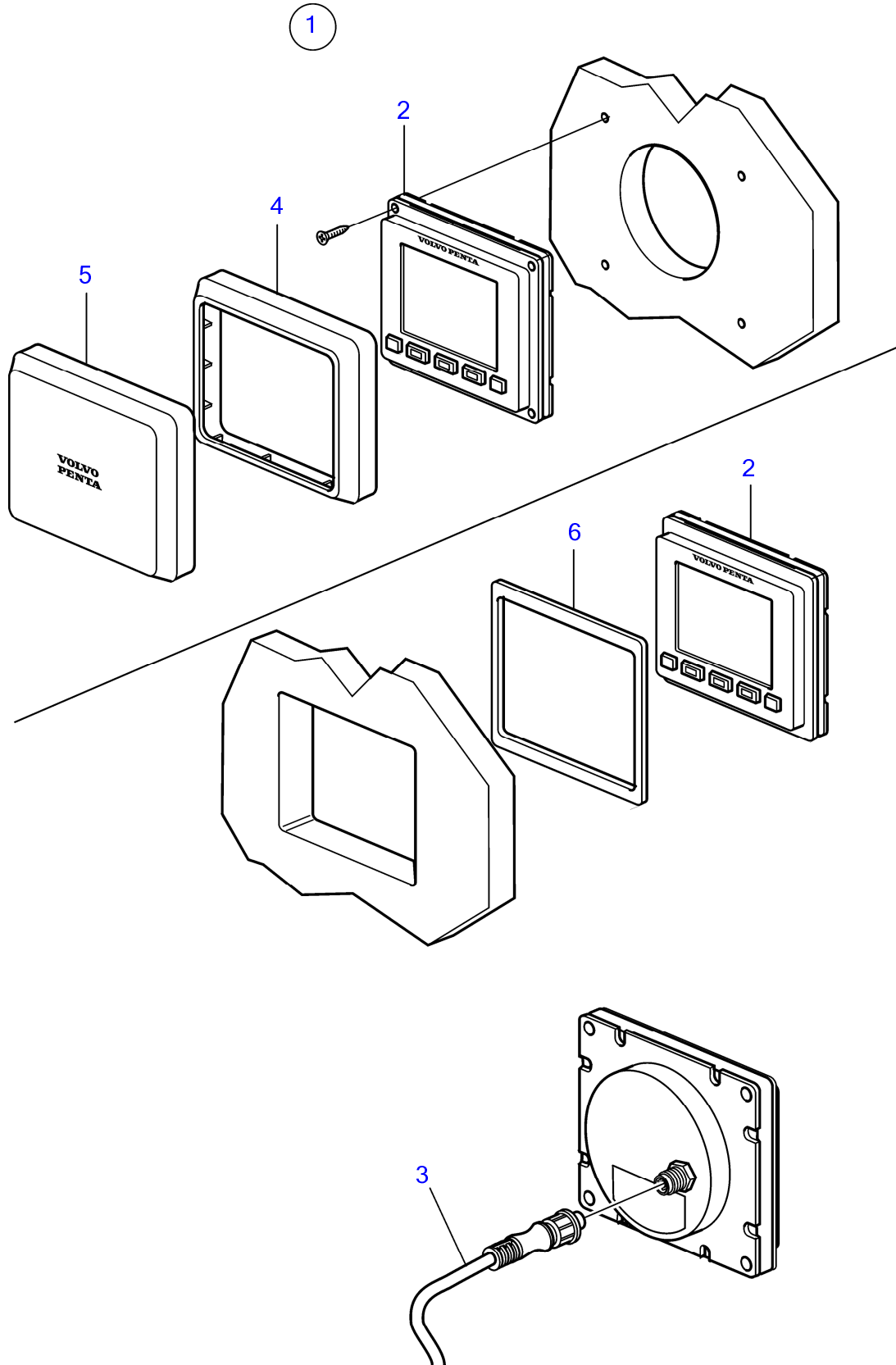
25475

4.3GXIE-225-R, V6-225-E-A

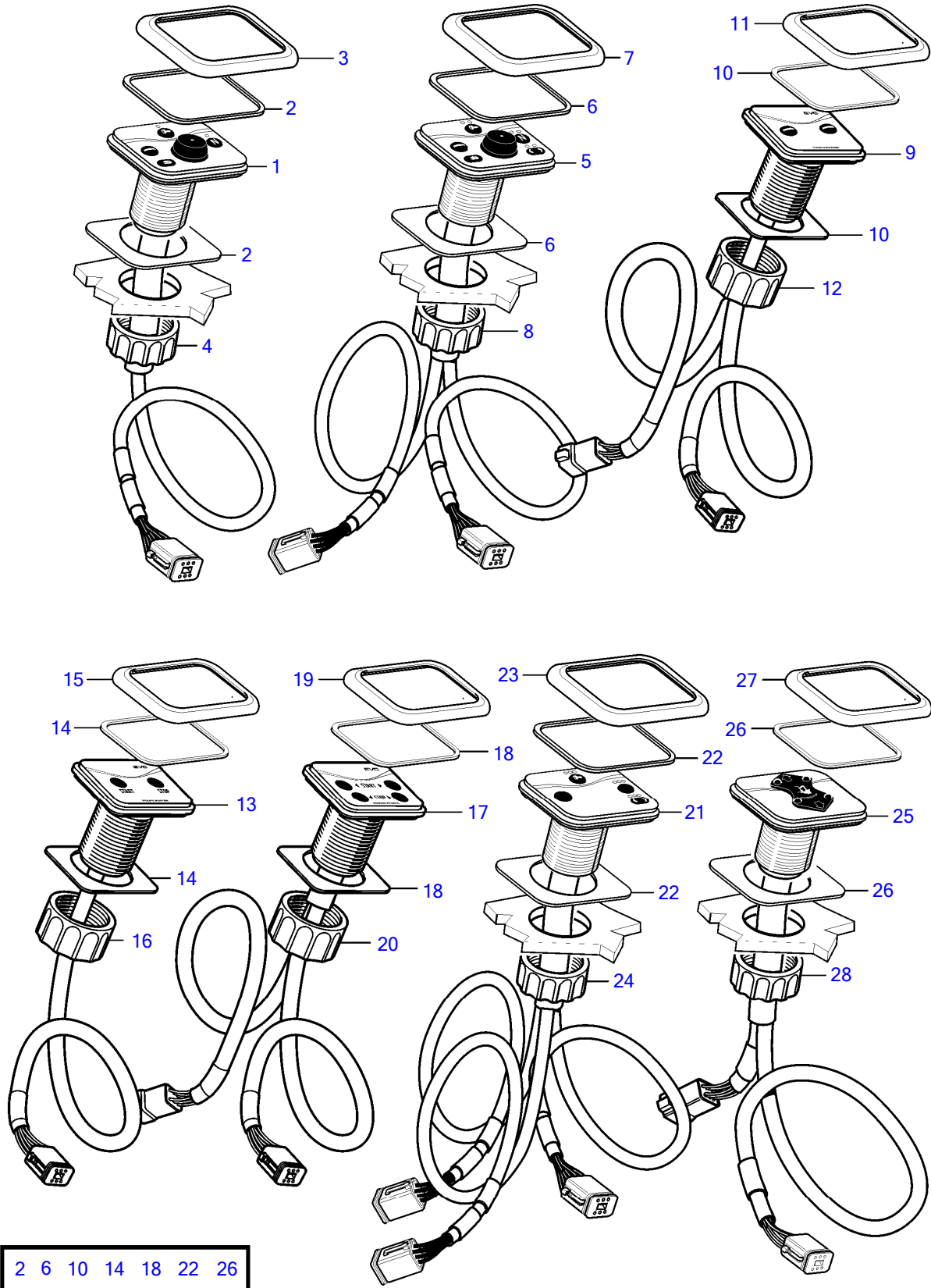


26413

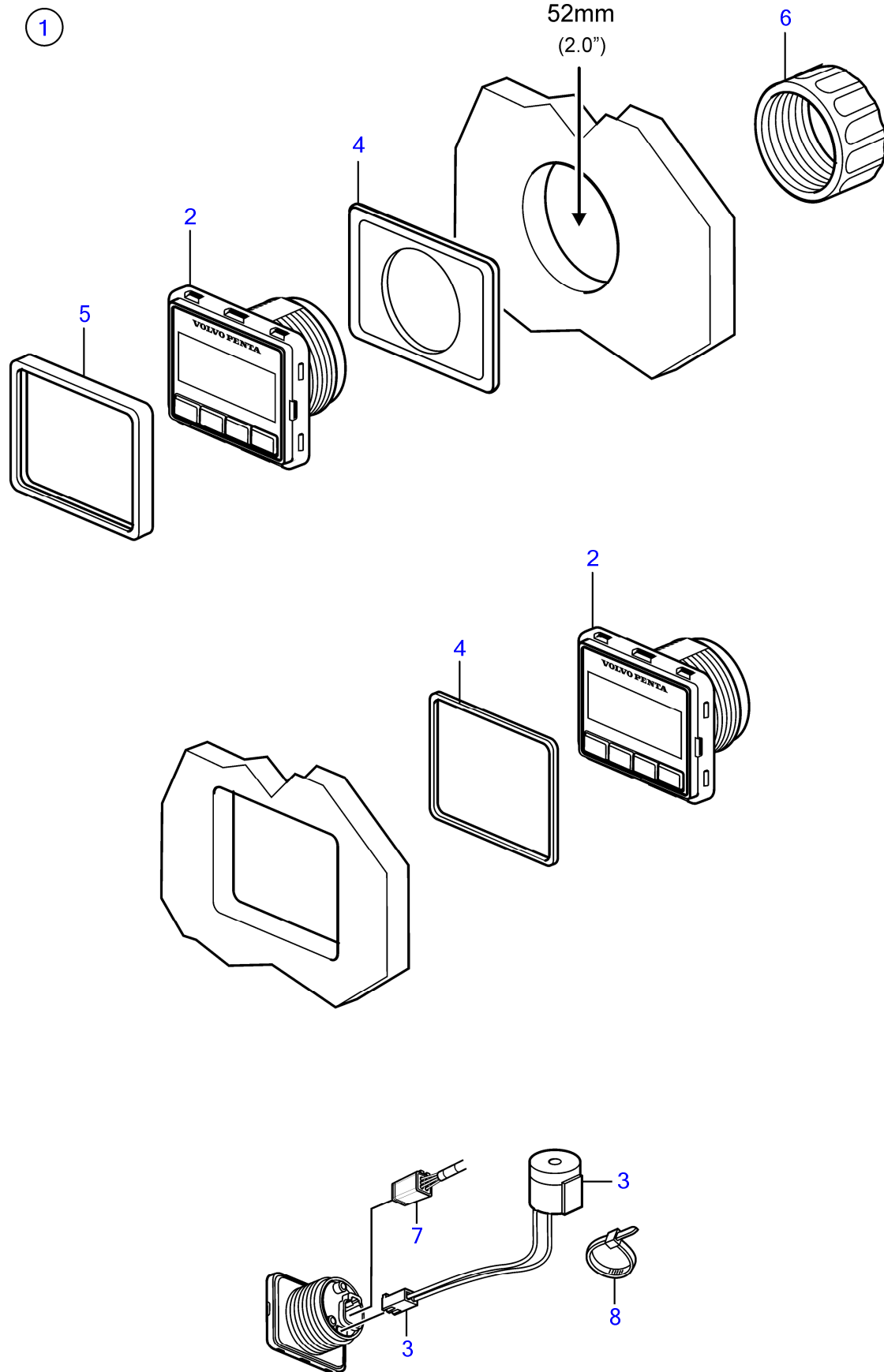
4.3GXIE-225-R, 4.3GXIE-M, 4.3GXIE-Q



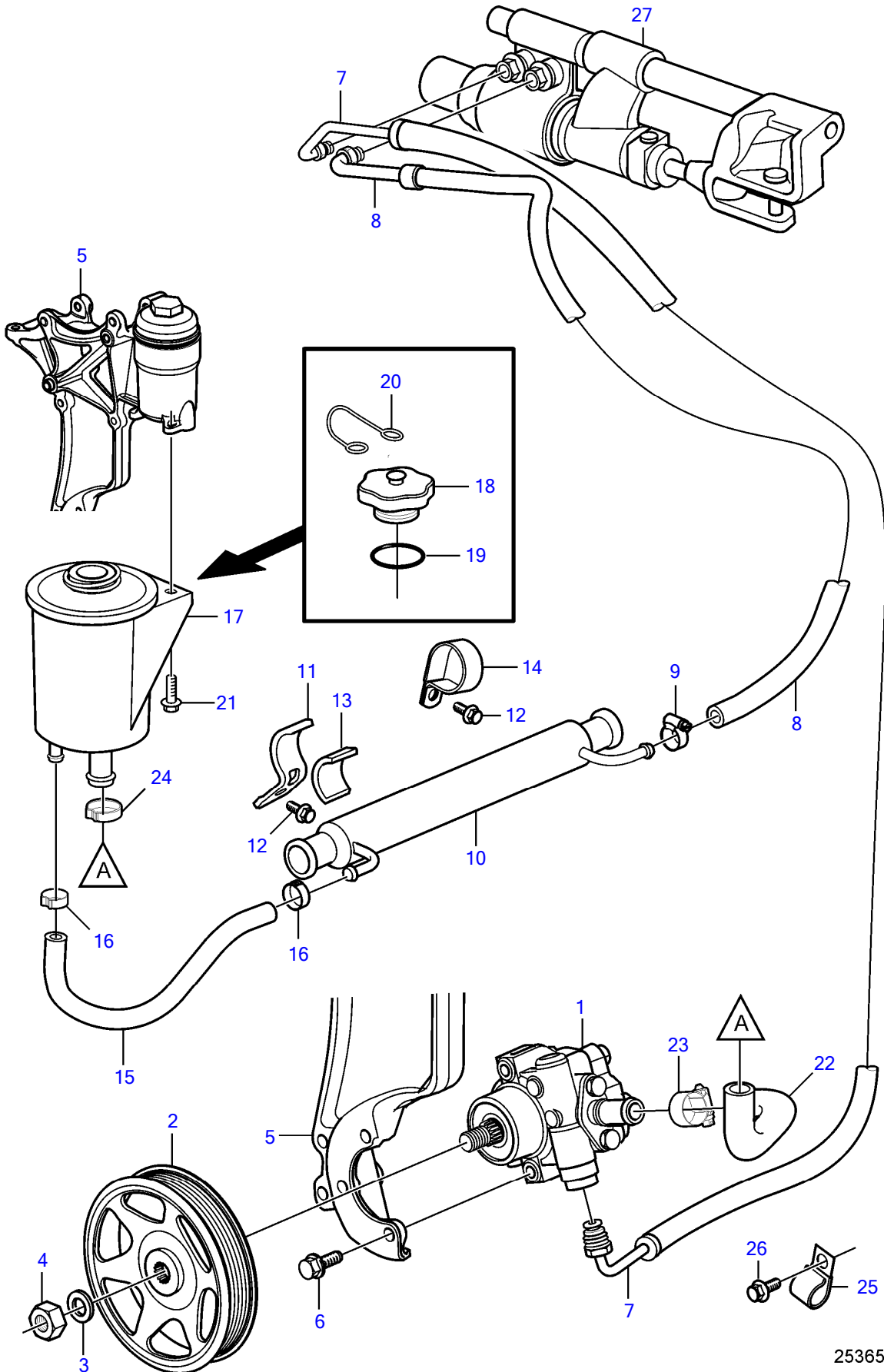
4.3GXIE-M



24466



4.3GXIE-225-R, 4.3GXIE-Q, V6-225-E-A



25365

CLICK HERE TO **DOWNLOAD** THE COMPLETE MANUAL

- Thank you very much for reading the preview of the manual.
- You can download the complete manual from: www.heydownloads.com by clicking the link below



- Please note: If there is no response to CLICKING the link, please download this PDF first and then click on it.

CLICK HERE TO **DOWNLOAD** THE COMPLETE MANUAL