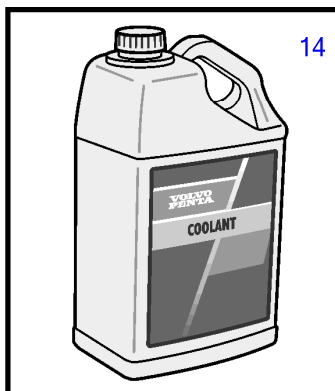
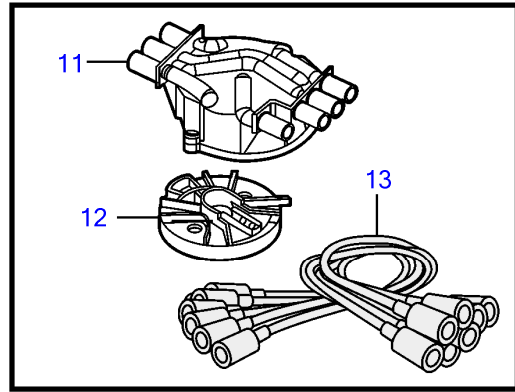
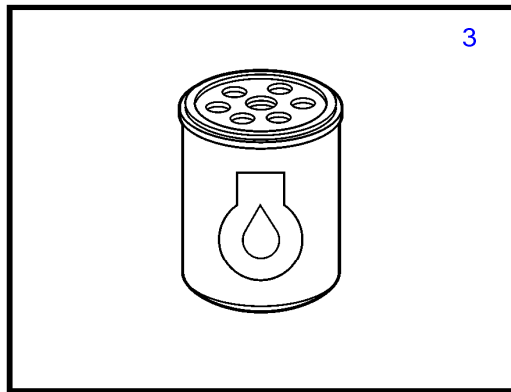
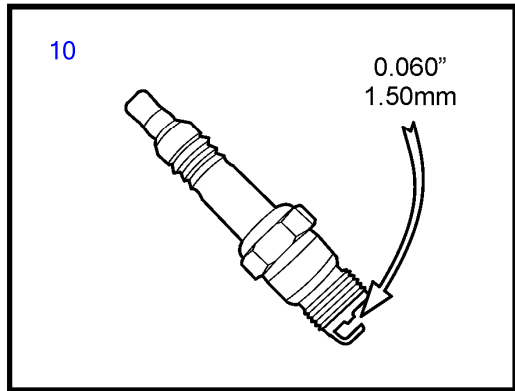
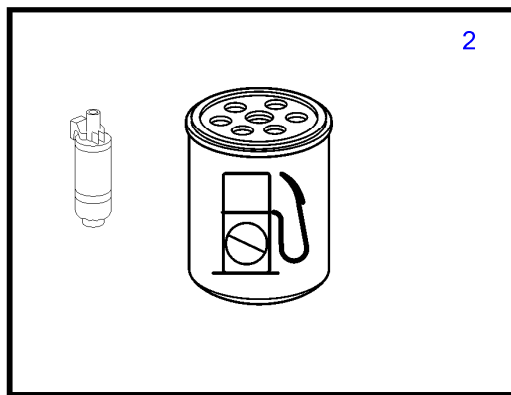
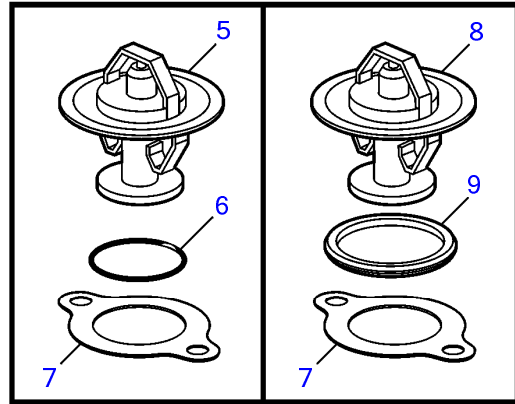
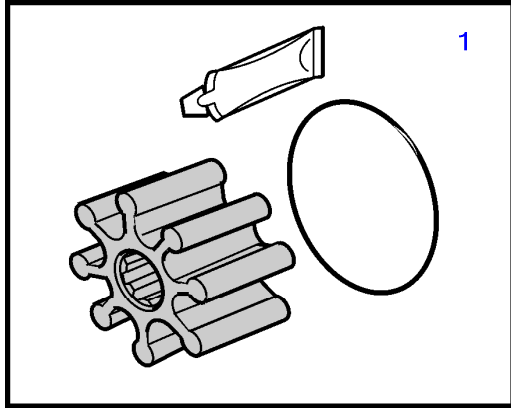


4.3GX-G, 4.3GX-GF, 4.3OSI-G, 4.3OSI-GF



25134

CLICK HERE TO **DOWNLOAD** THE COMPLETE MANUAL

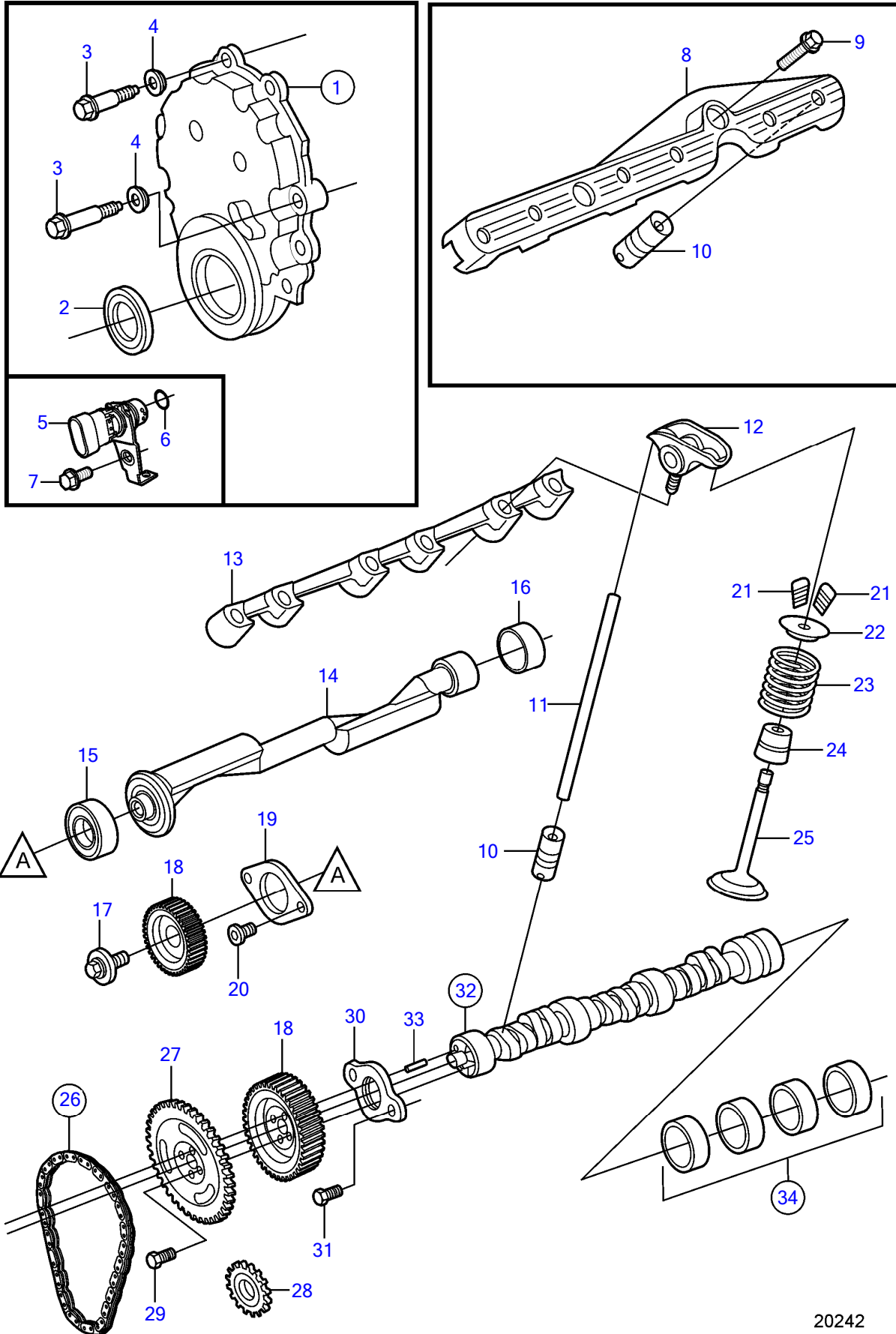
- Thank you very much for reading the preview of the manual.
- You can download the complete manual from: www.heydownloads.com by clicking the link below



- Please note: If there is no response to CLICKING the link, please download this PDF first and then click on it.

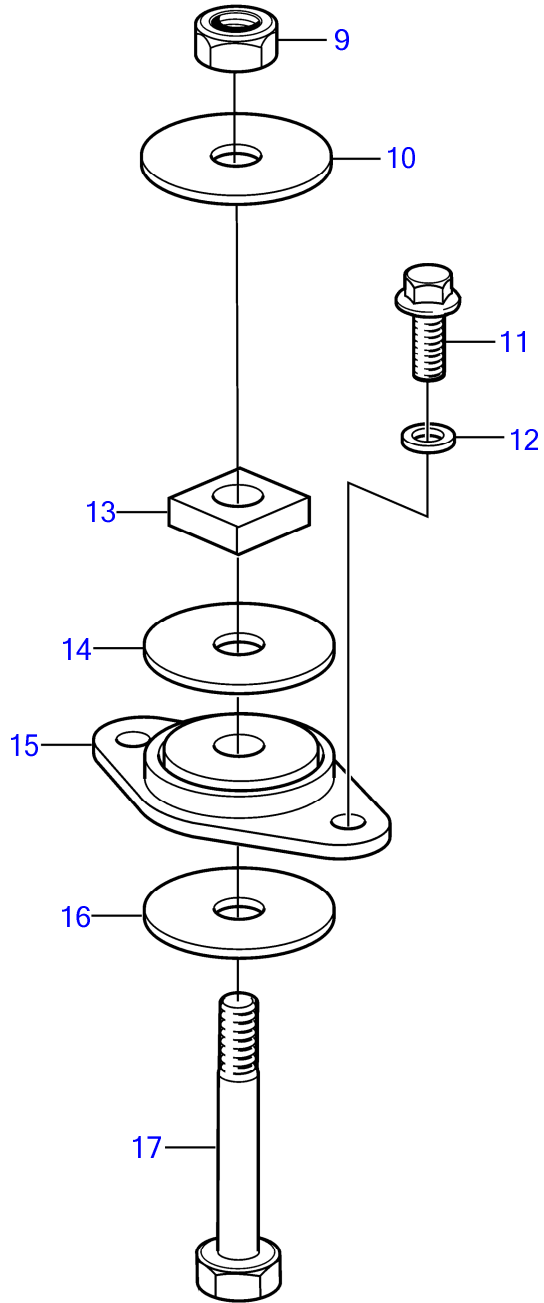
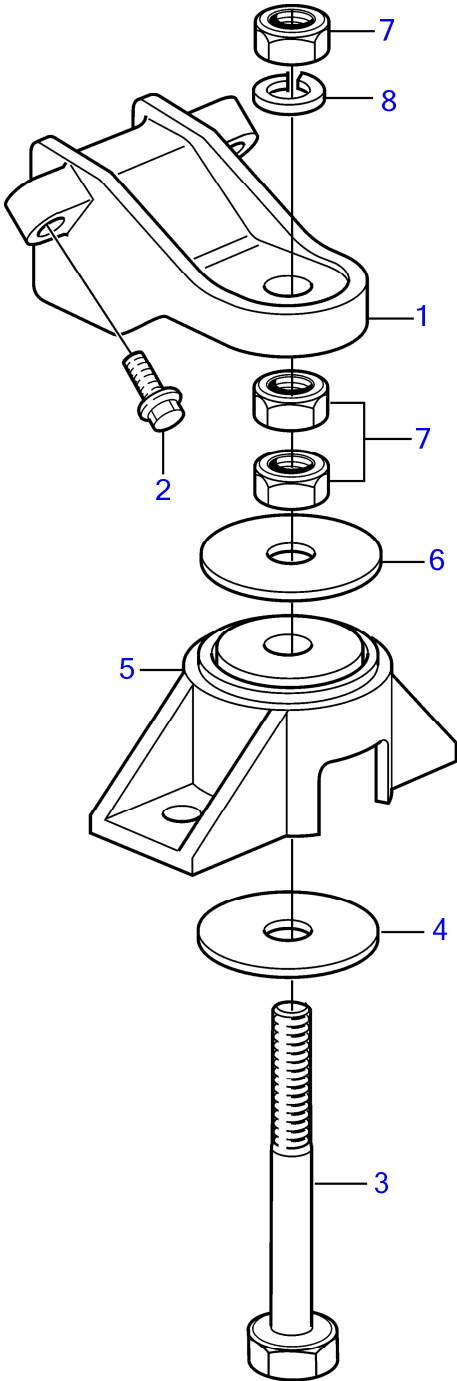
CLICK HERE TO **DOWNLOAD** THE COMPLETE MANUAL

4.3GXl-G, 4.3GXl-GF, 4.3OSl-G, 4.3OSl-GF

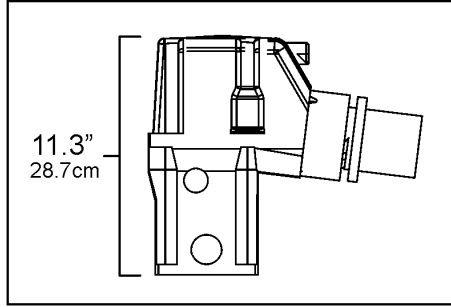


20242

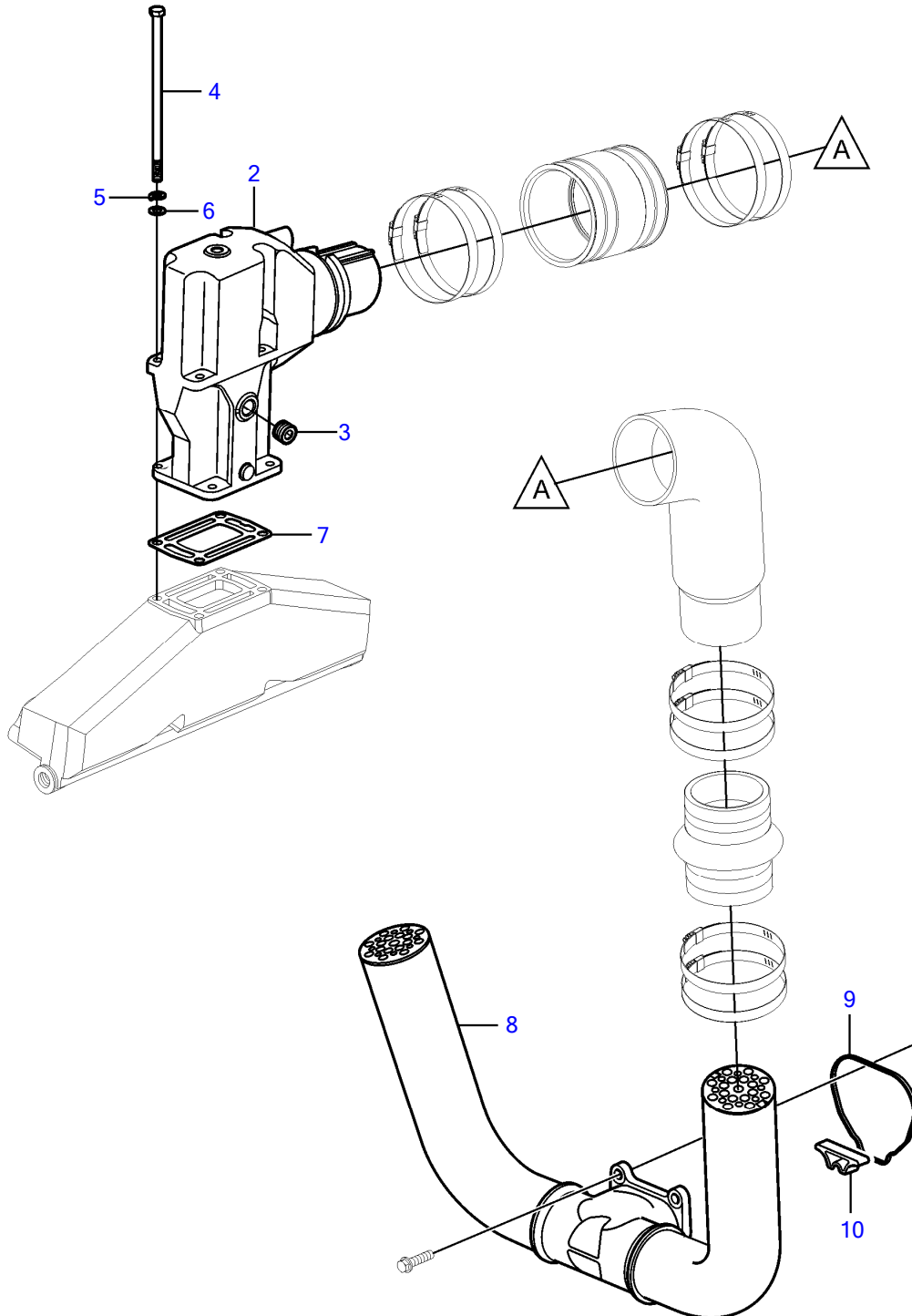
4.3GXl-G, 4.3GXl-GF, 4.3OSl-G, 4.3OSl-GF



4.3GXl-G, 4.3GXl-GF

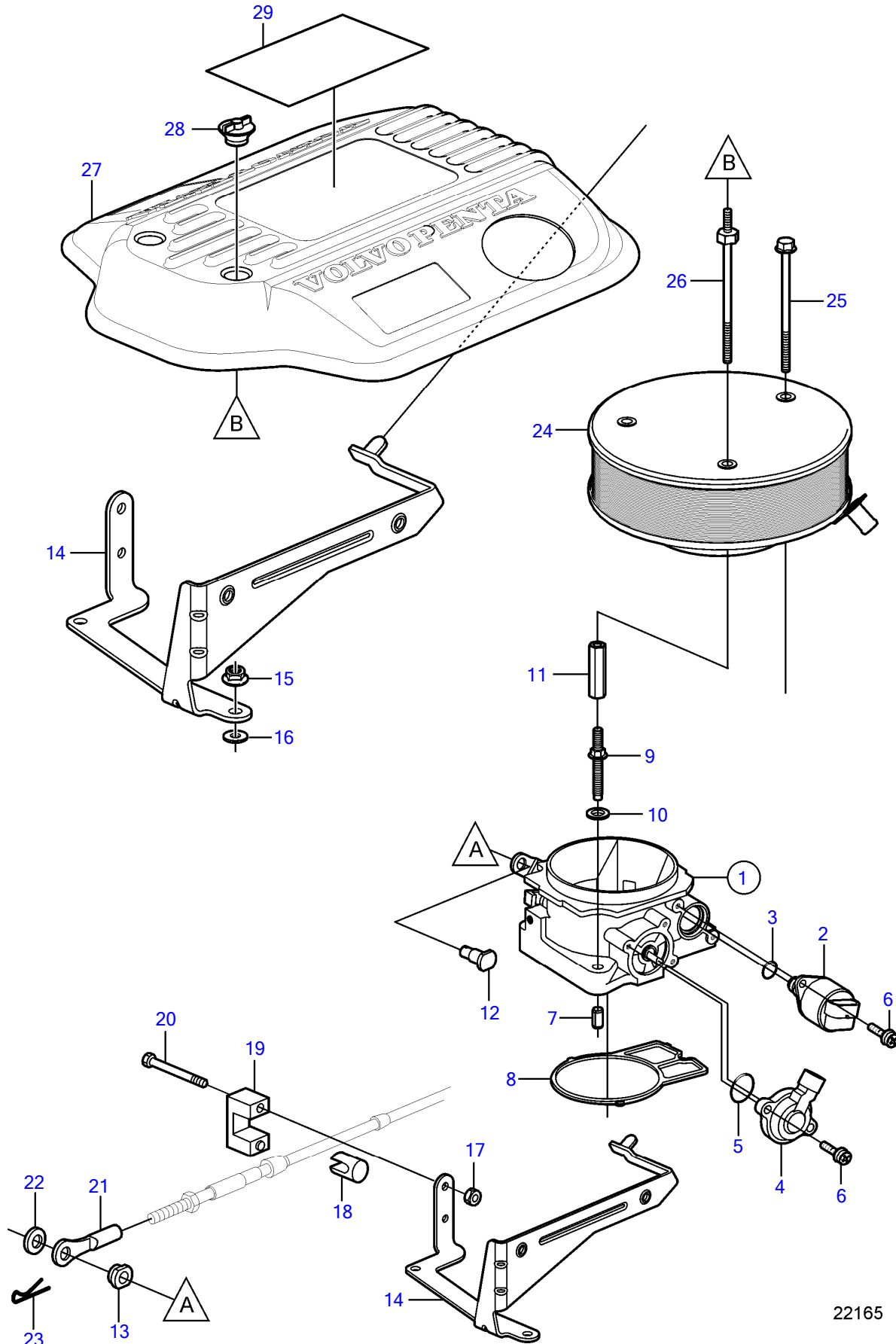


1



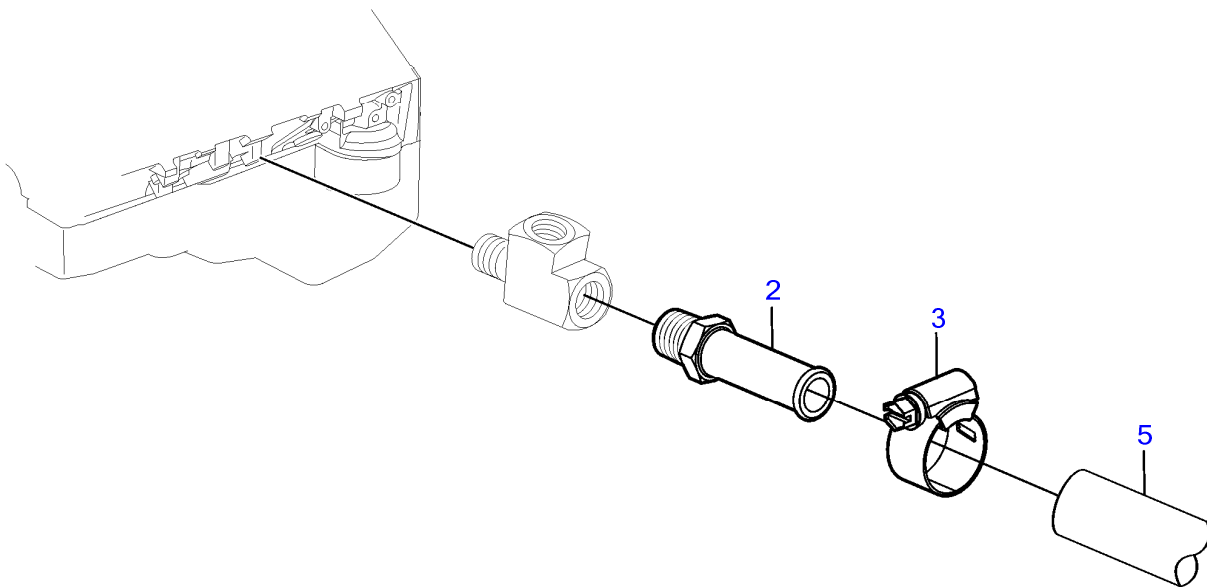
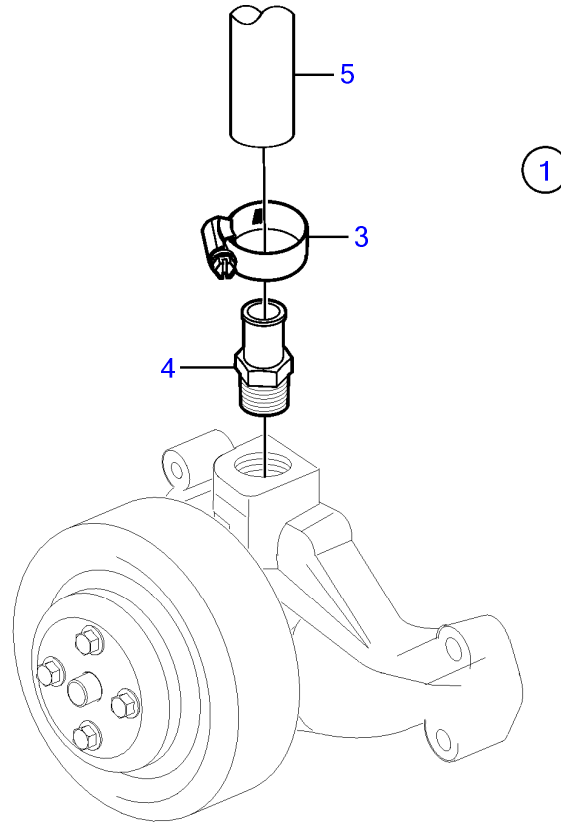
23328

4.3GXi-G, 4.3GXi-GF



22165

4.3GXl-G, 4.3OSl-G



CLICK HERE TO **DOWNLOAD** THE COMPLETE MANUAL

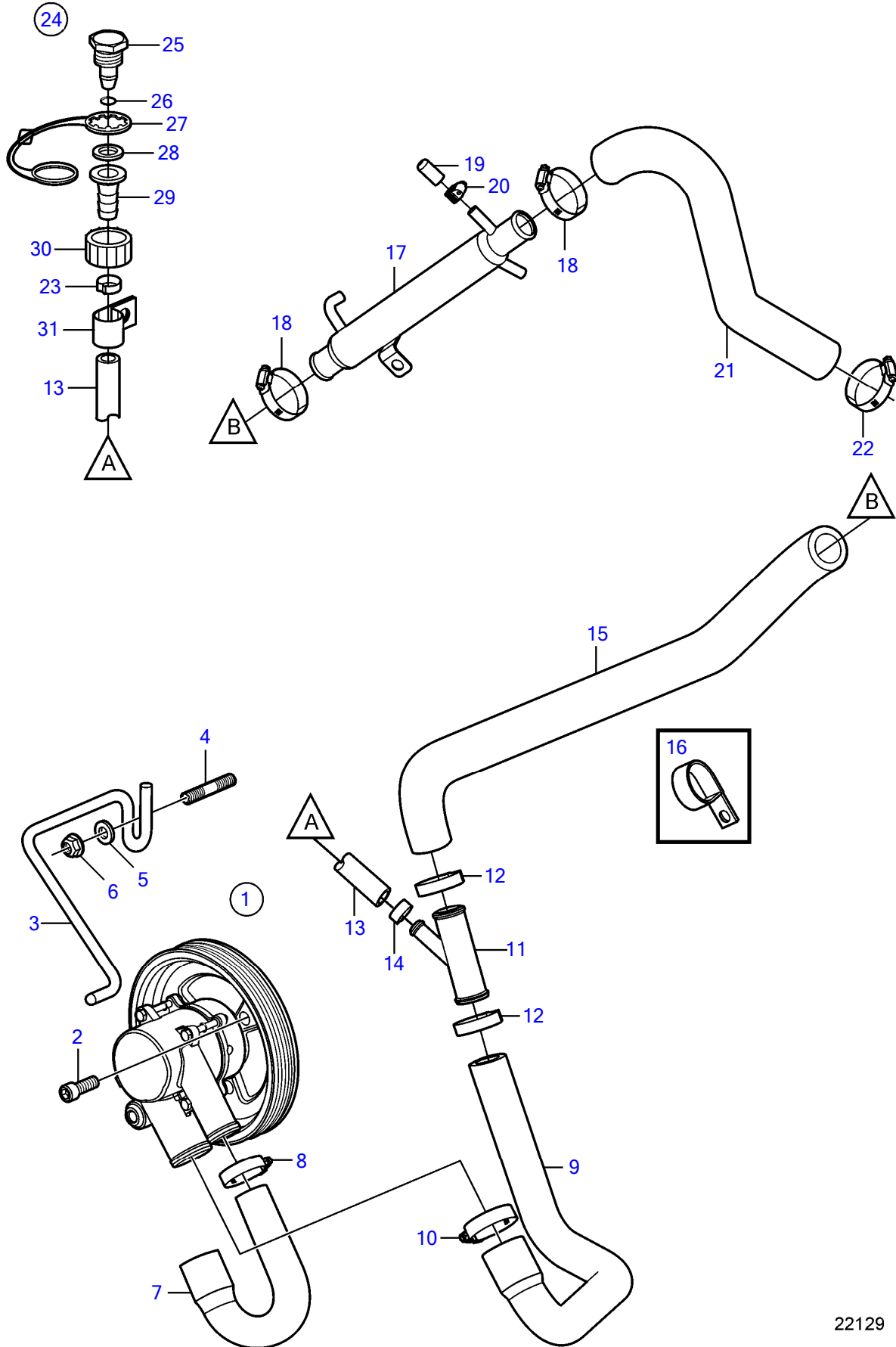
- Thank you very much for reading the preview of the manual.
- You can download the complete manual from: www.heydownloads.com by clicking the link below



- Please note: If there is no response to CLICKING the link, please download this PDF first and then click on it.

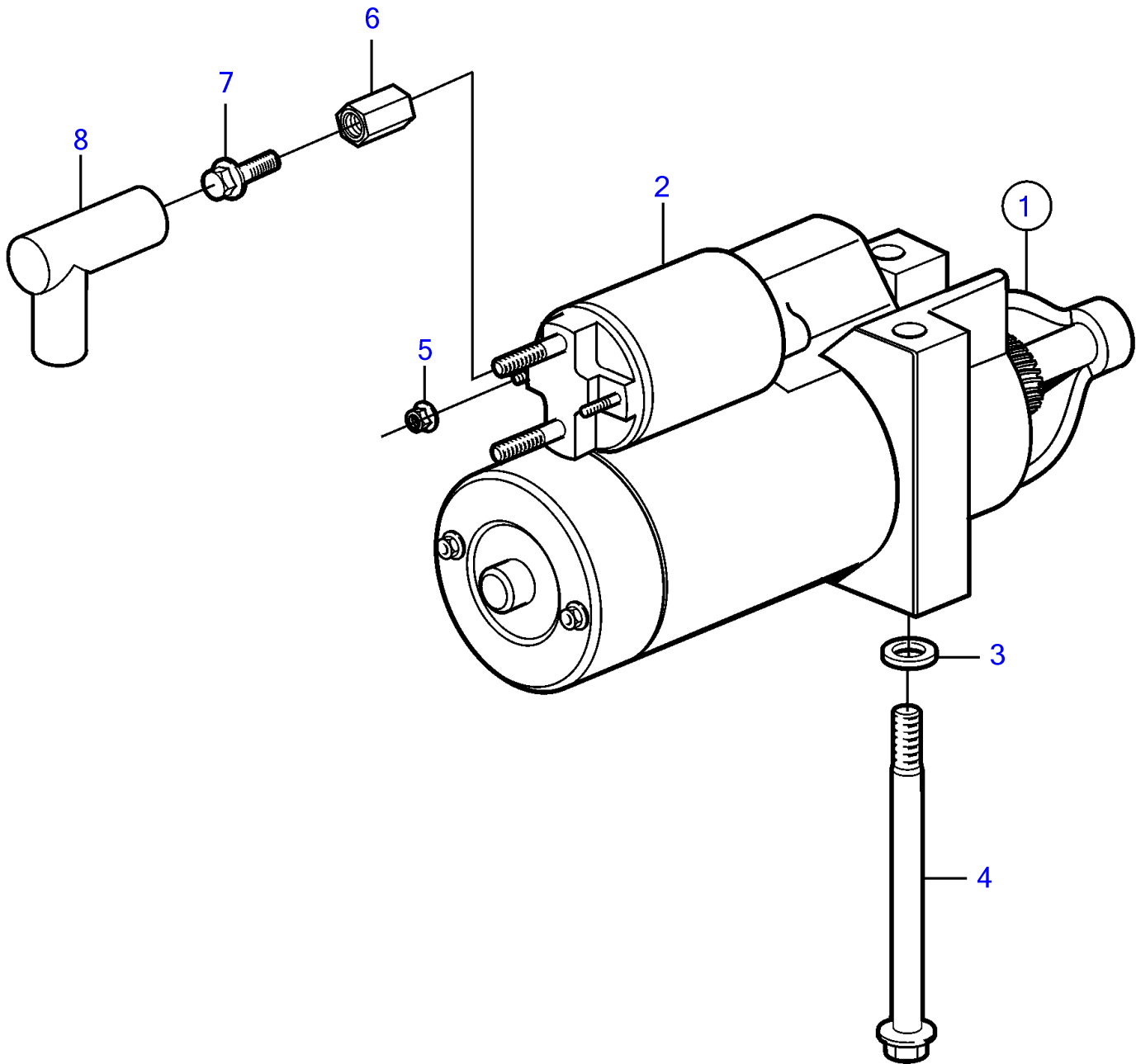
CLICK HERE TO **DOWNLOAD** THE COMPLETE MANUAL

4.30Si-GF

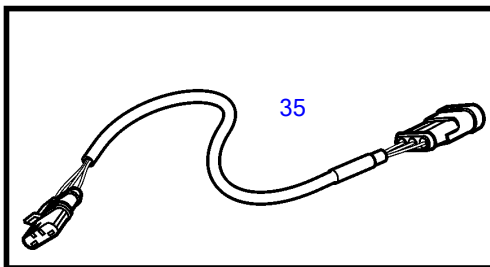
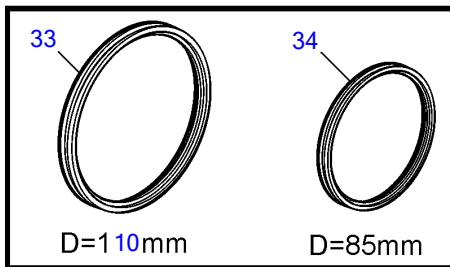
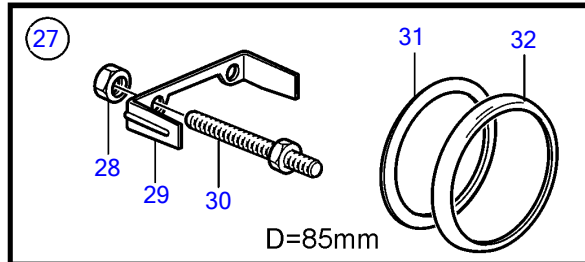
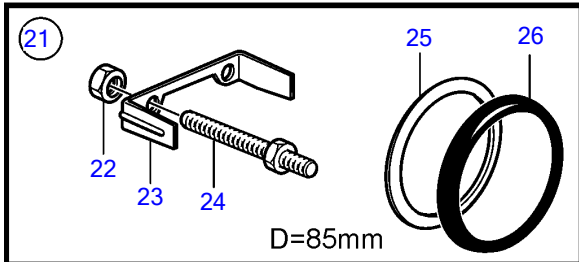
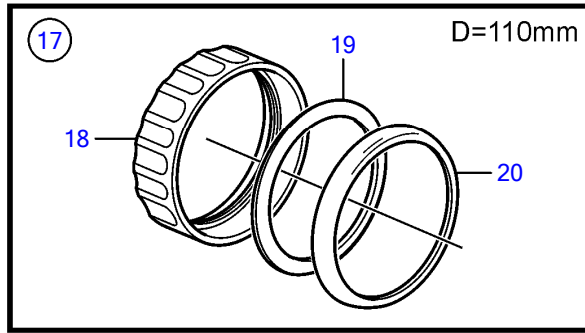
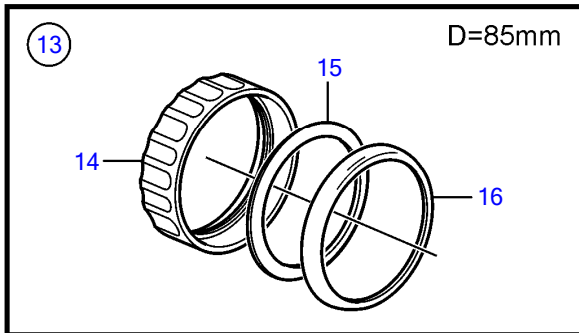
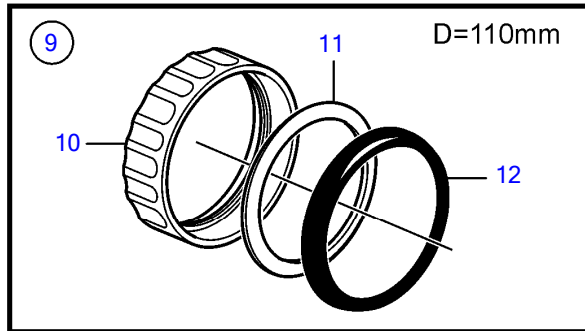
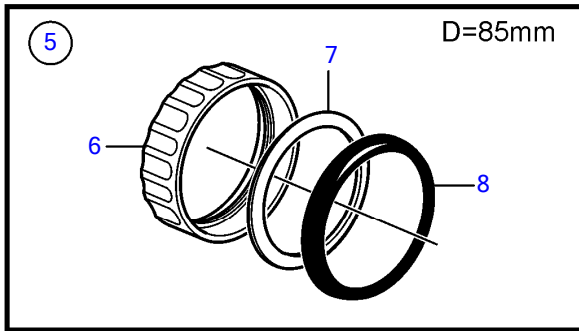
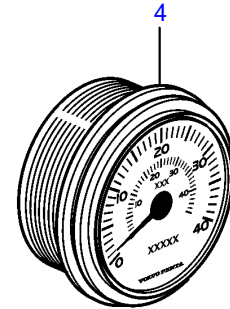
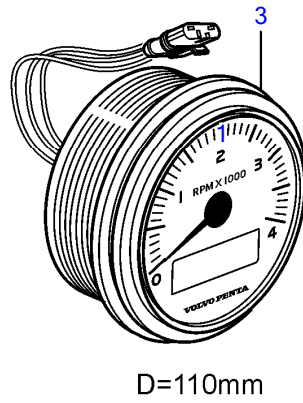
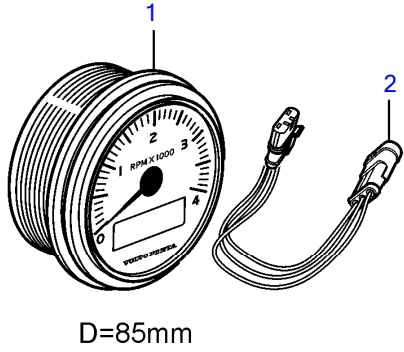


22129

4.3GXi-G, 4.3GXi-GF, 4.3OSi-G, 4.3OSi-GF



4.3GXl-G, 4.3GXl-GF, 4.3OSl-G, 4.3OSl-GF



24012

CLICK HERE TO **DOWNLOAD** THE COMPLETE MANUAL

- Thank you very much for reading the preview of the manual.
- You can download the complete manual from: www.heydownloads.com by clicking the link below



- Please note: If there is no response to CLICKING the link, please download this PDF first and then click on it.

CLICK HERE TO **DOWNLOAD** THE COMPLETE MANUAL