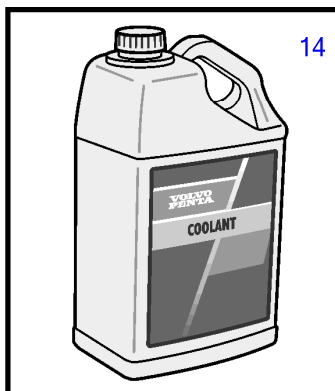
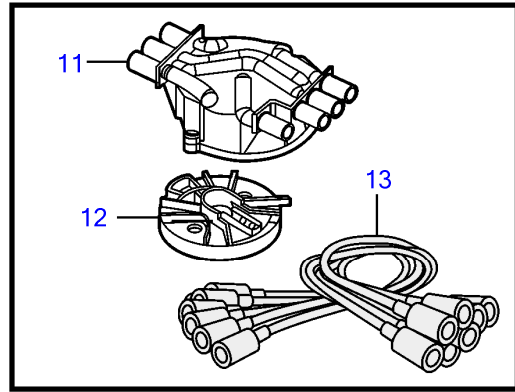
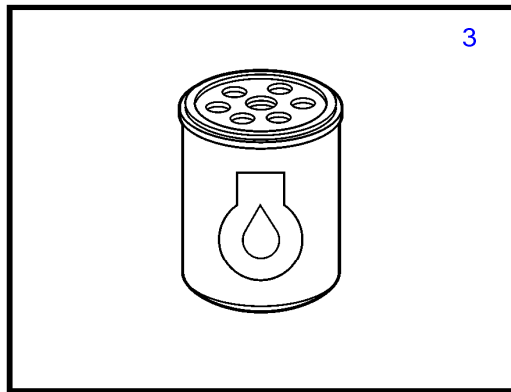
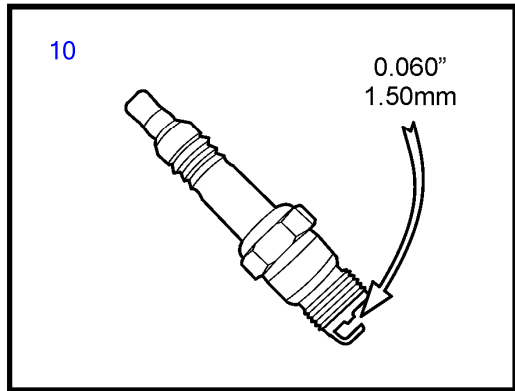
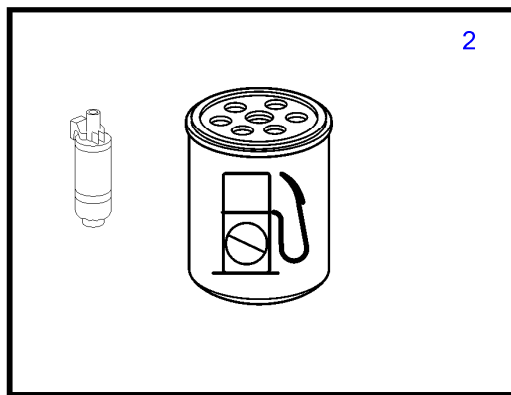
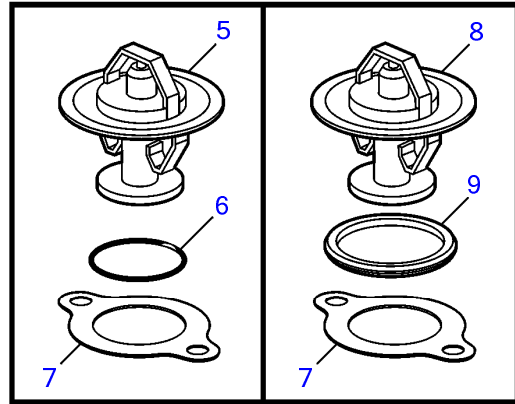
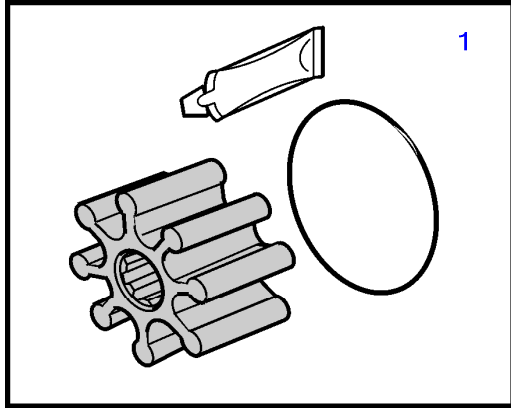


4.3GXi-B, 4.3GXi-BF



25134

CLICK HERE TO **DOWNLOAD** THE COMPLETE MANUAL

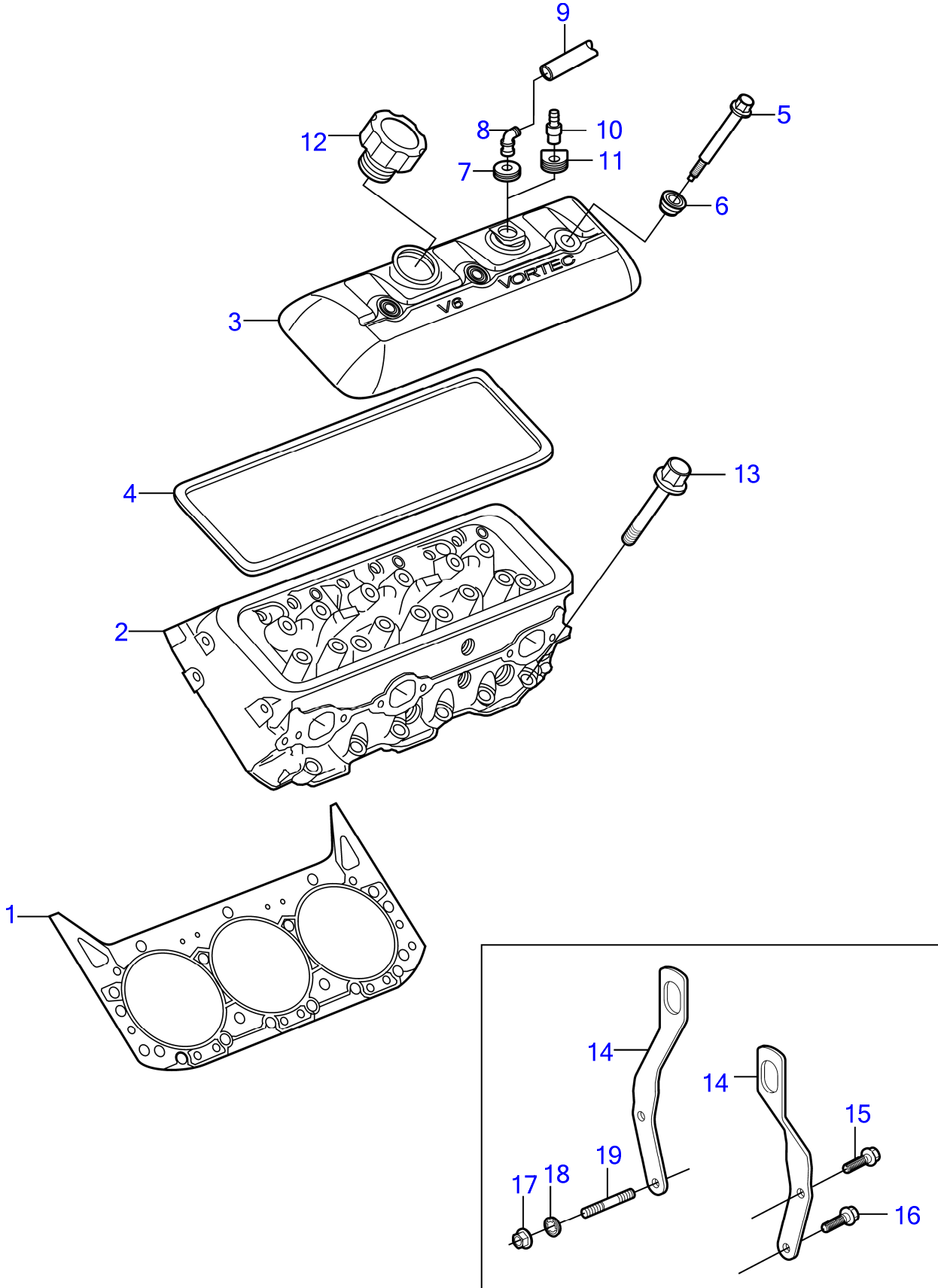
- Thank you very much for reading the preview of the manual.
- You can download the complete manual from: www.heydownloads.com by clicking the link below



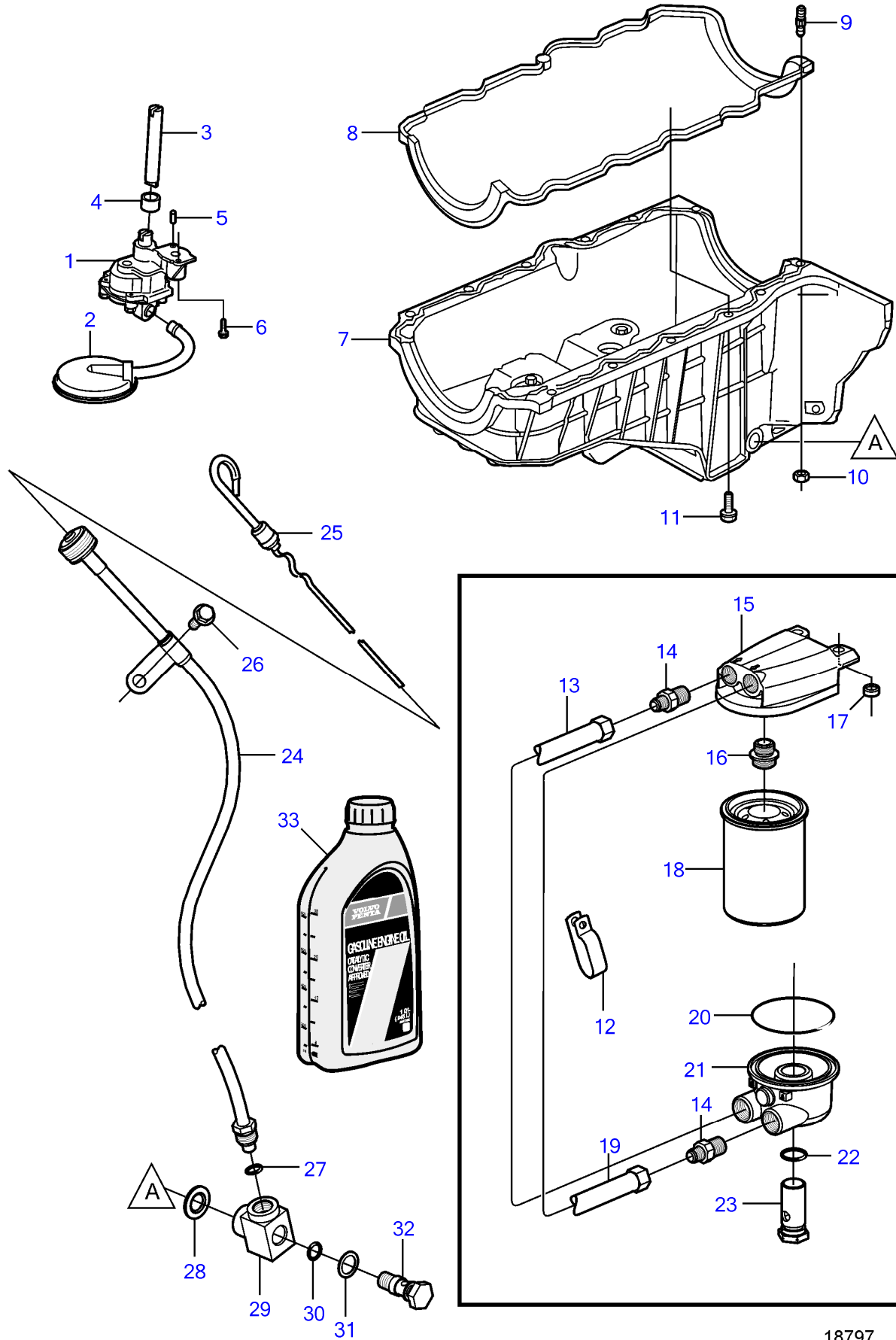
- Please note: If there is no response to CLICKING the link, please download this PDF first and then click on it.

CLICK HERE TO **DOWNLOAD** THE COMPLETE MANUAL

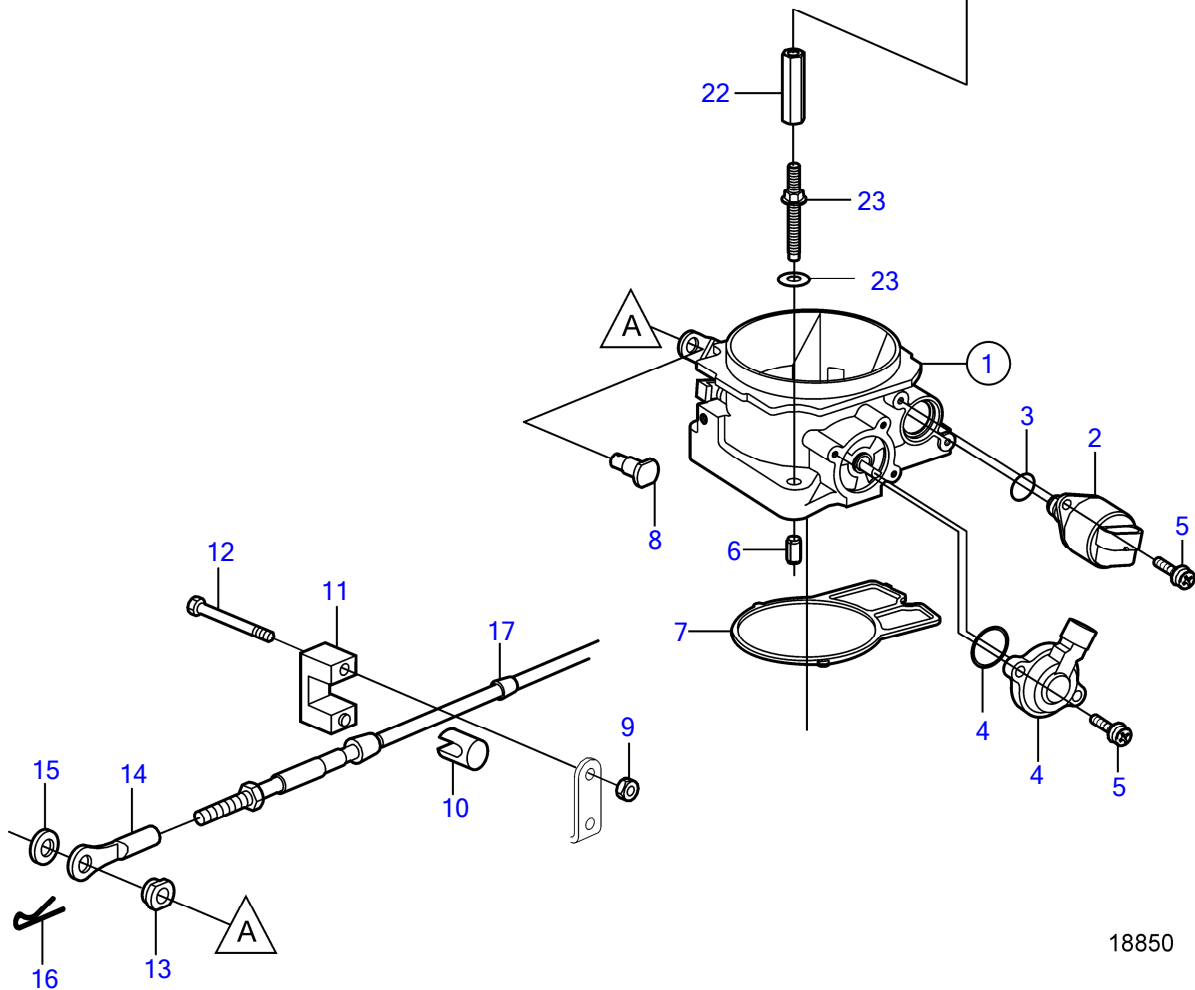
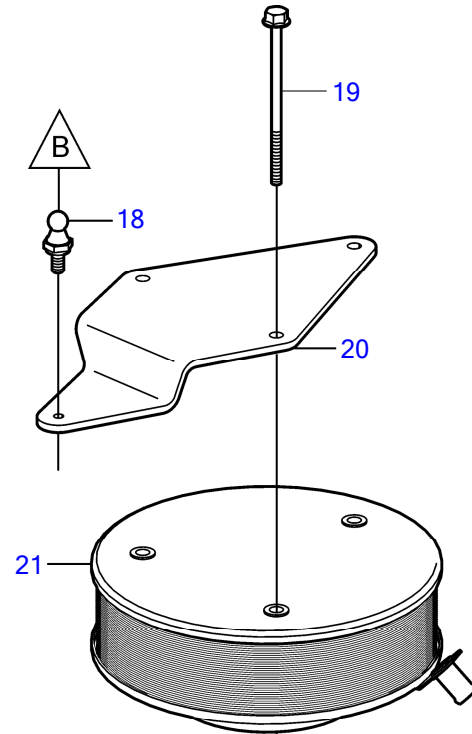
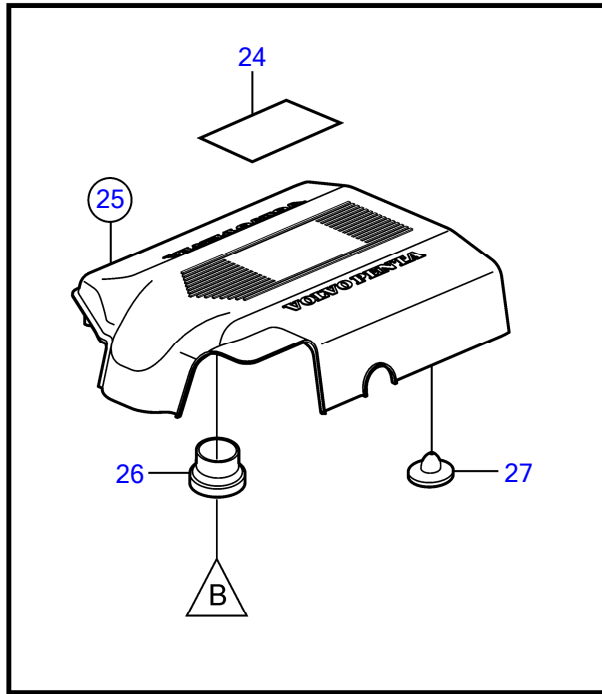
4.3GXi-B, 4.3GXi-BF, 4.3OSi-B, 4.3OSi-BF



4.3OSi-B, 4.3OSi-BF

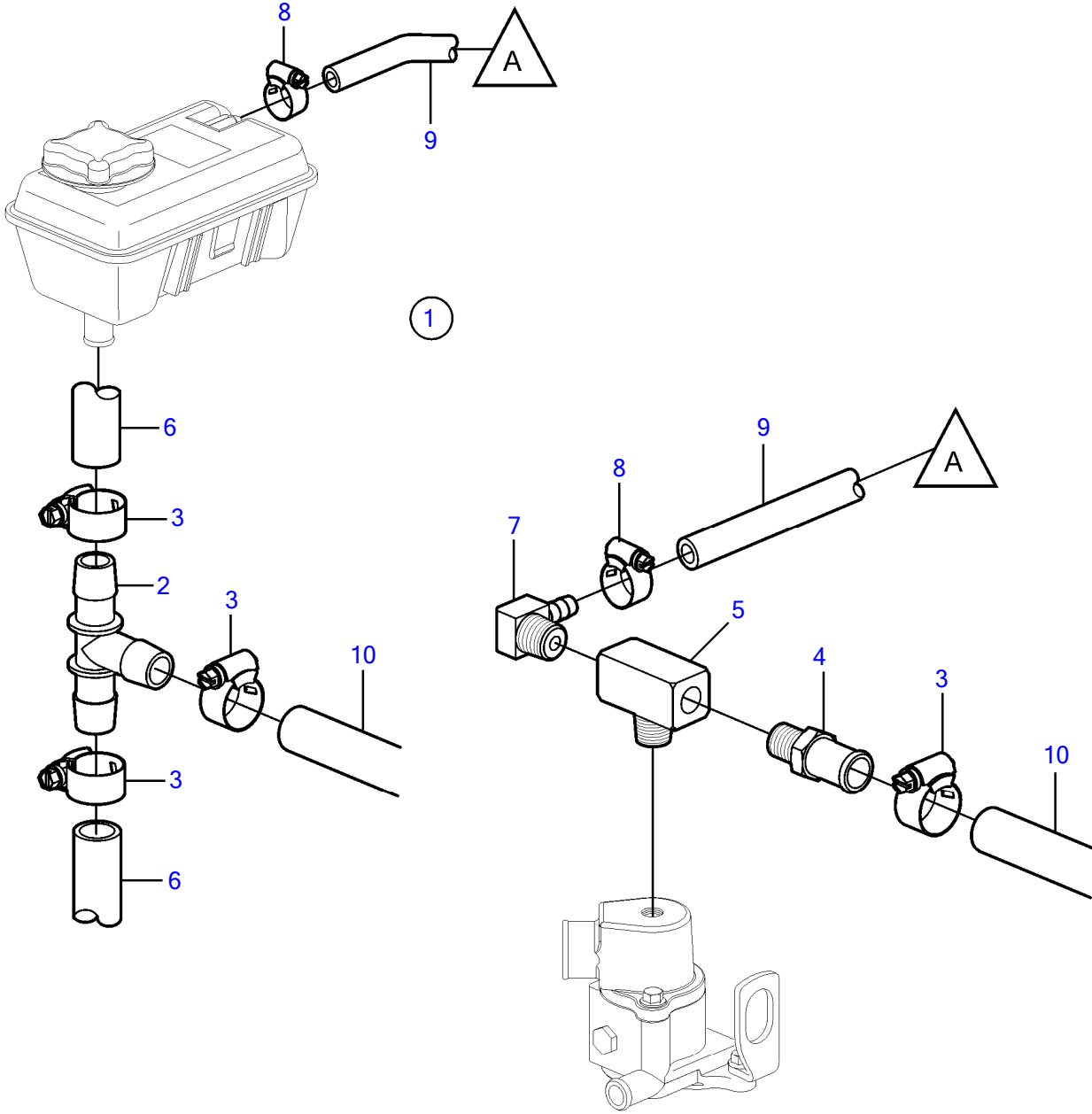


4.3GXi-B, 4.3GXi-BF, 4.3OSi-B, 4.3OSi-BF

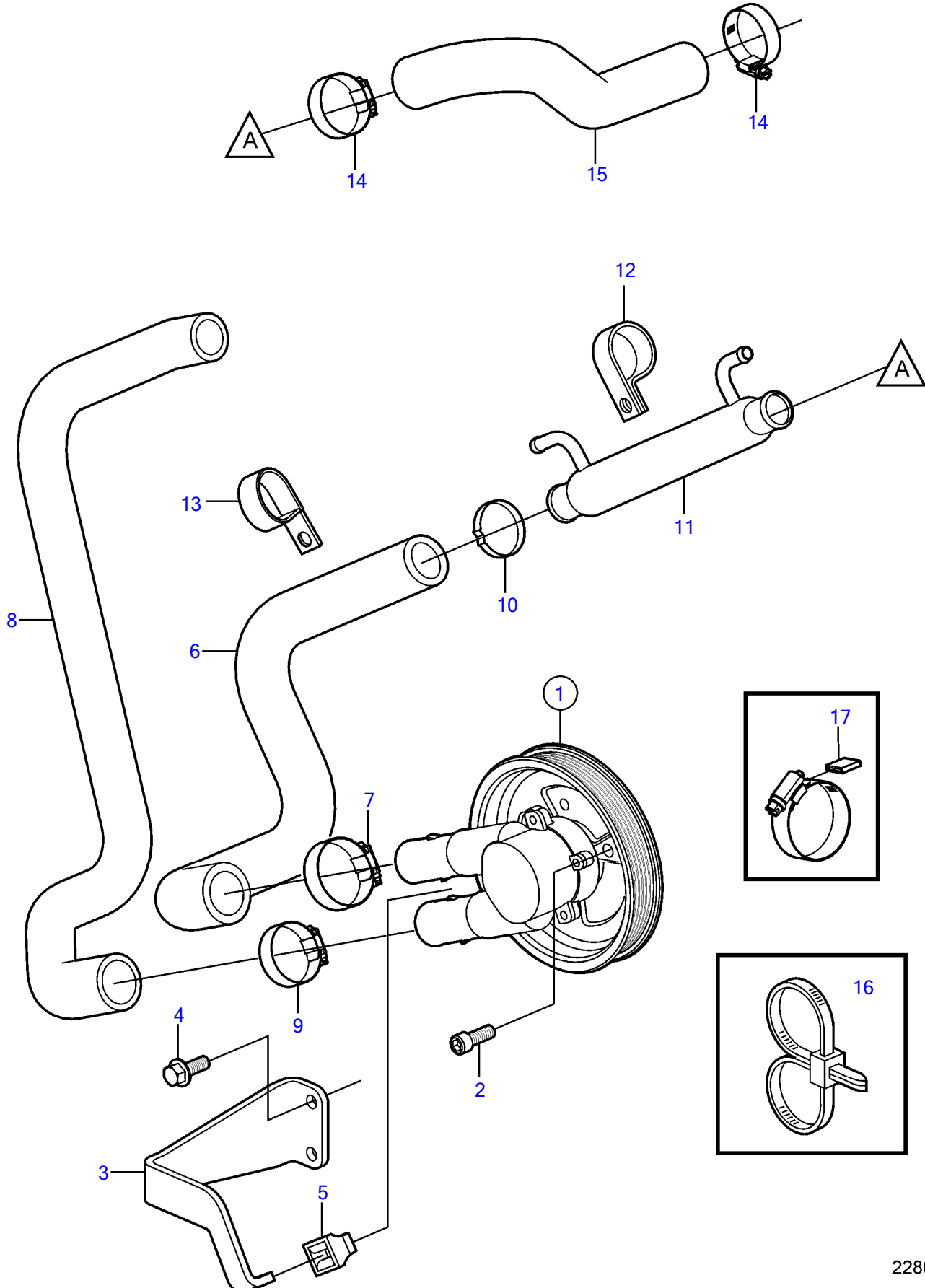


18850

4.3GXl-BF, 4.3OSl-BF

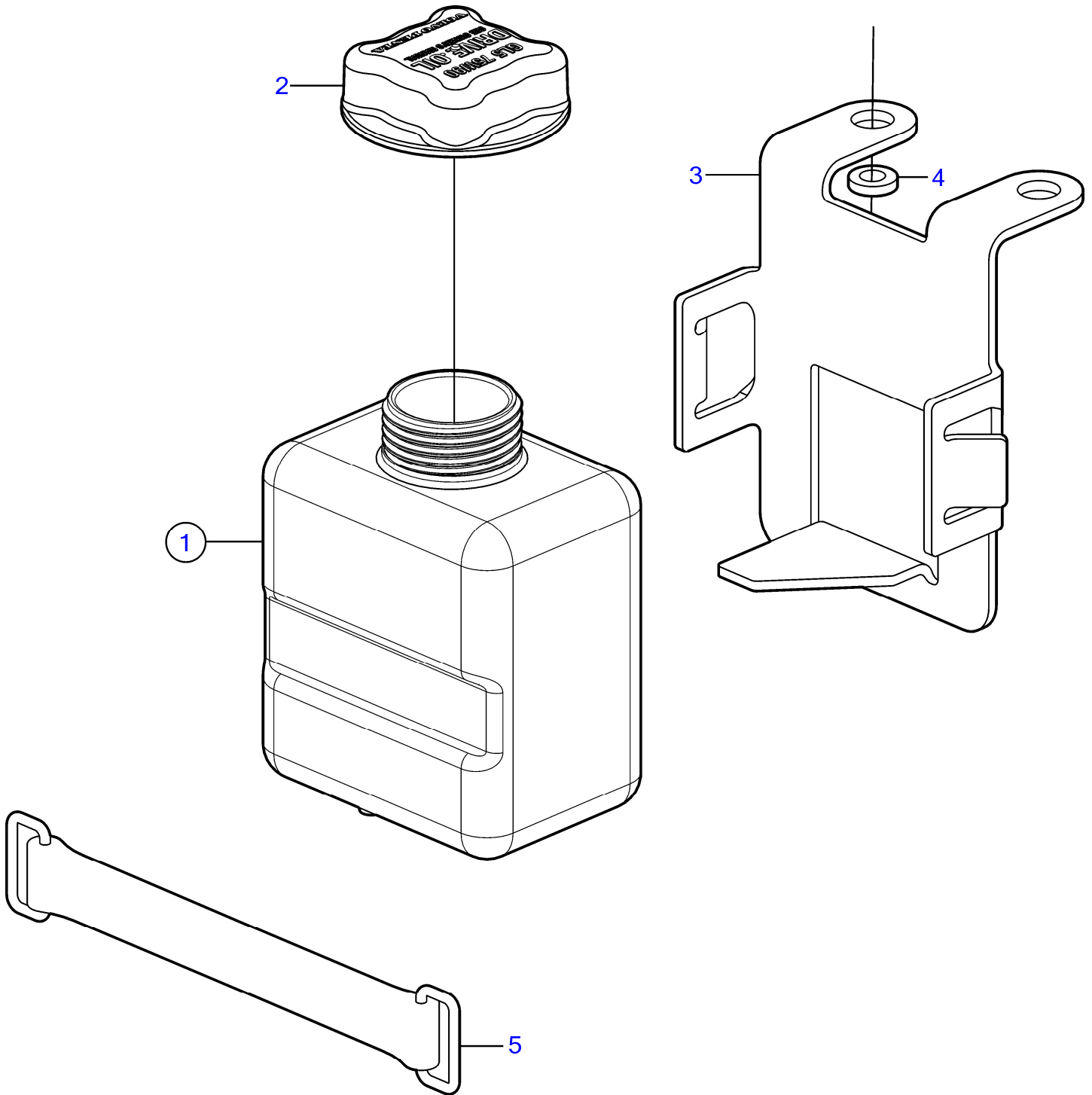


4.3GXi-B



22804

4.3OSi-B, 4.3OSi-BF



CLICK HERE TO **DOWNLOAD** THE COMPLETE MANUAL

- Thank you very much for reading the preview of the manual.
- You can download the complete manual from: www.heydownloads.com by clicking the link below



- Please note: If there is no response to CLICKING the link, please download this PDF first and then click on it.

CLICK HERE TO **DOWNLOAD** THE COMPLETE MANUAL