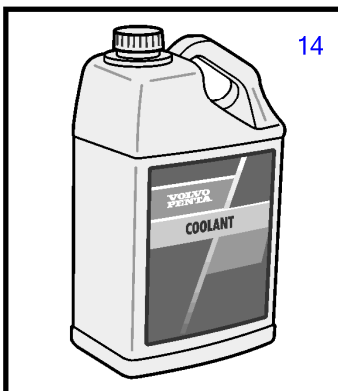
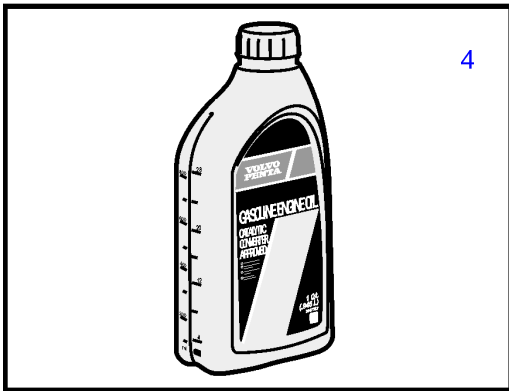
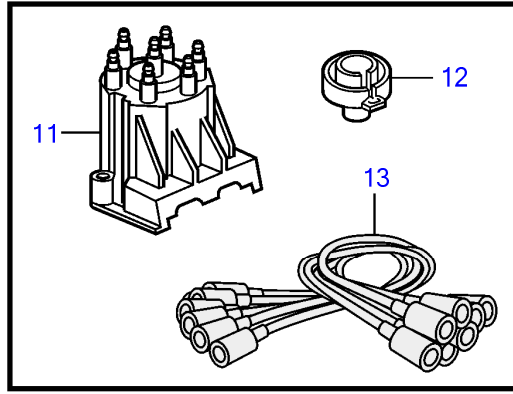
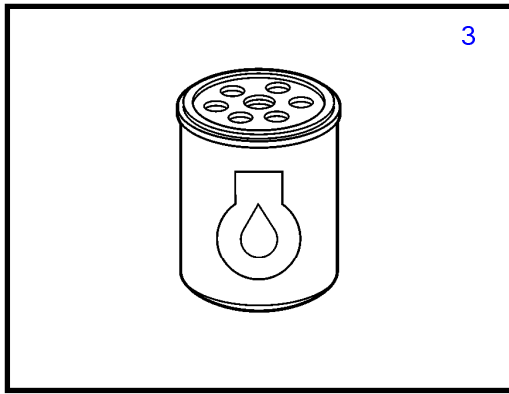
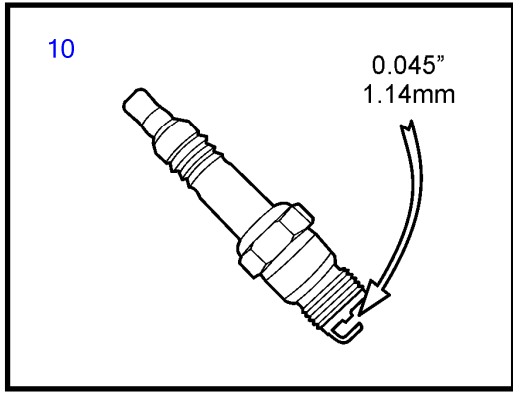
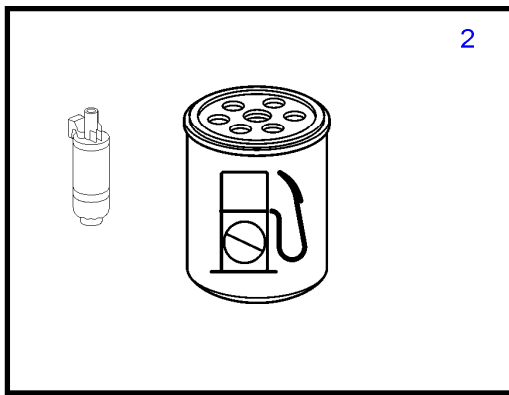
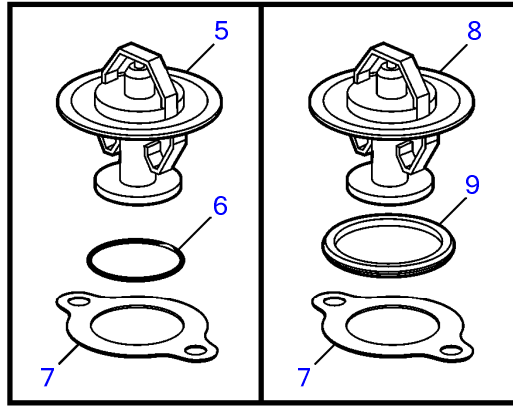
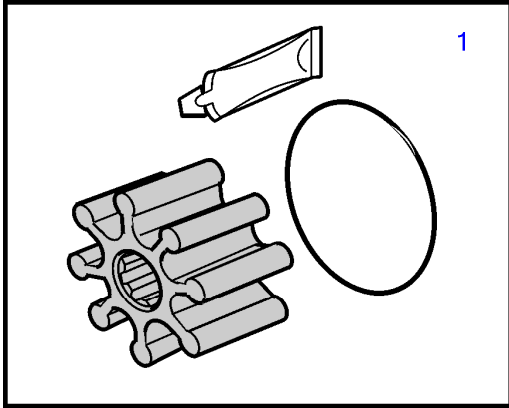


4.3GXl-A



25138

CLICK HERE TO **DOWNLOAD** THE COMPLETE MANUAL

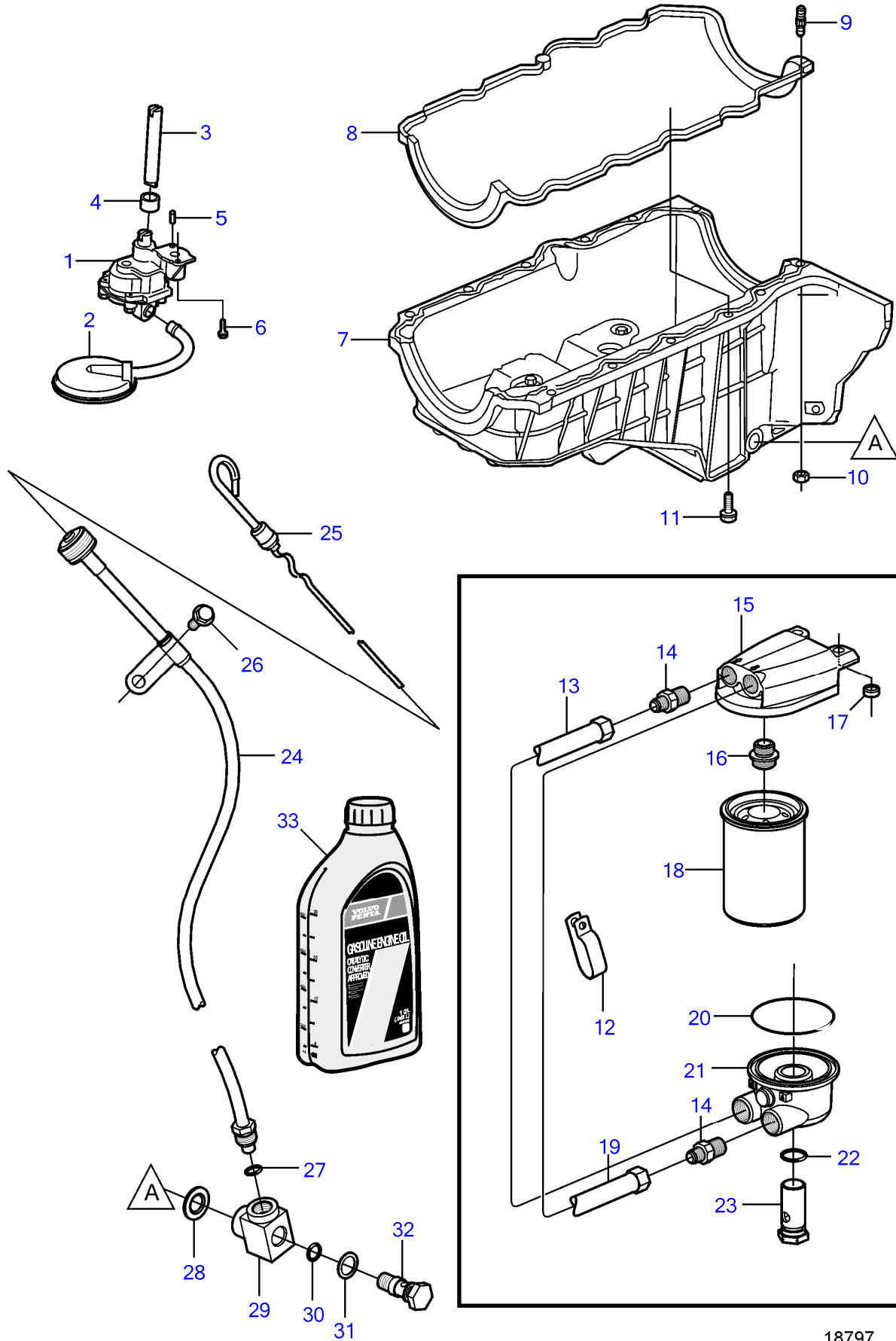
- Thank you very much for reading the preview of the manual.
- You can download the complete manual from: www.heydownloads.com by clicking the link below



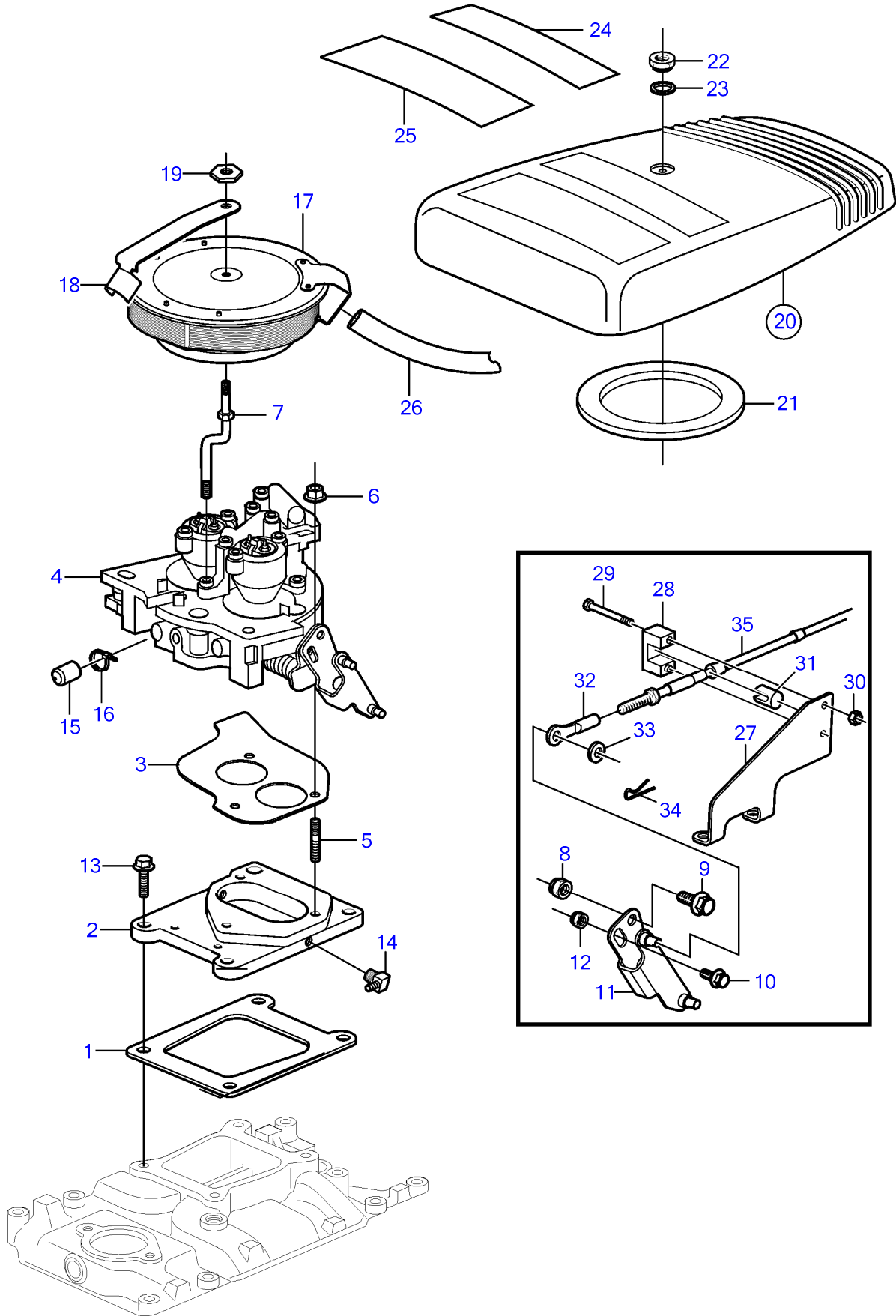
- Please note: If there is no response to CLICKING the link, please download this PDF first and then click on it.

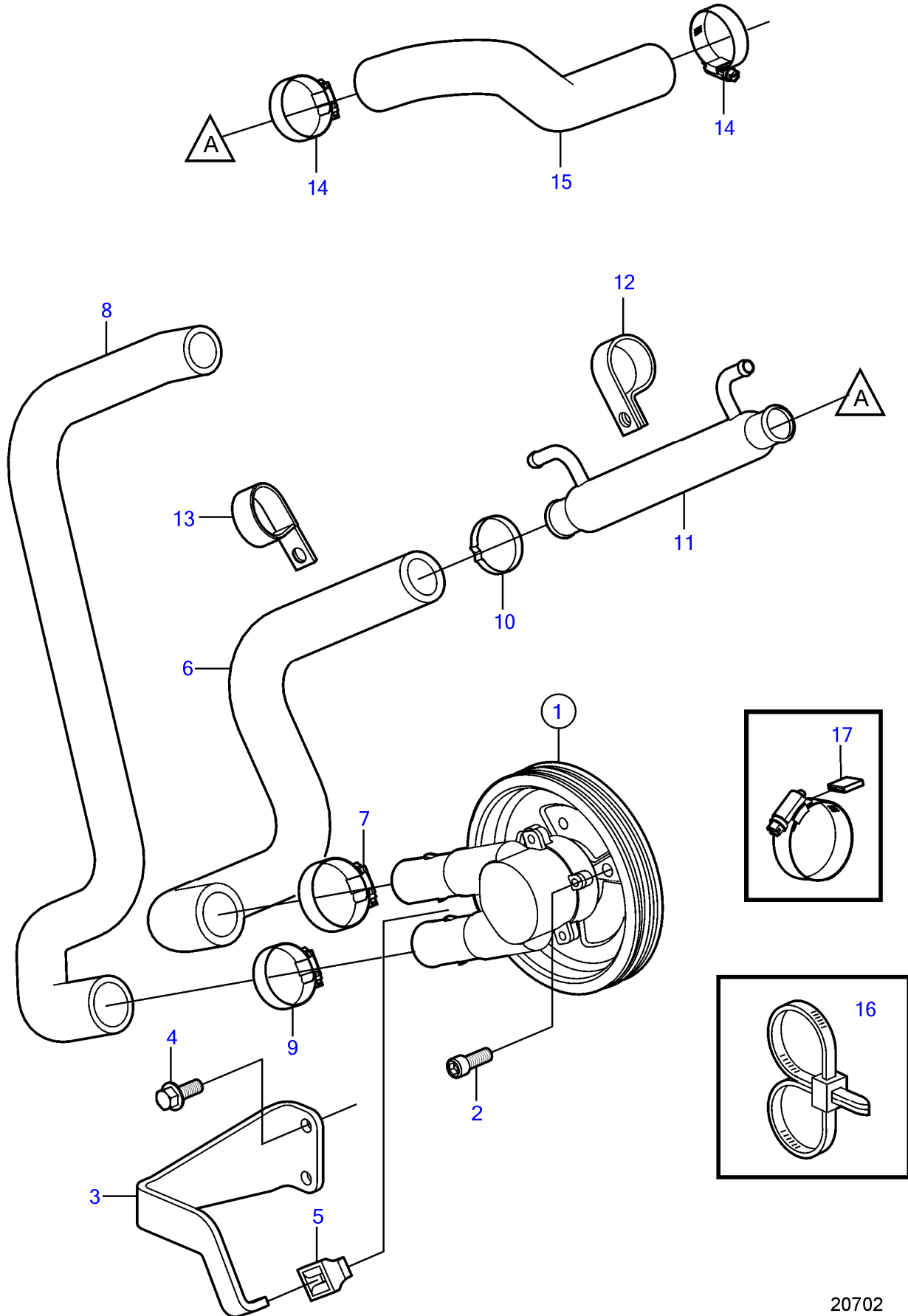
CLICK HERE TO **DOWNLOAD** THE COMPLETE MANUAL

4.3GXi-A

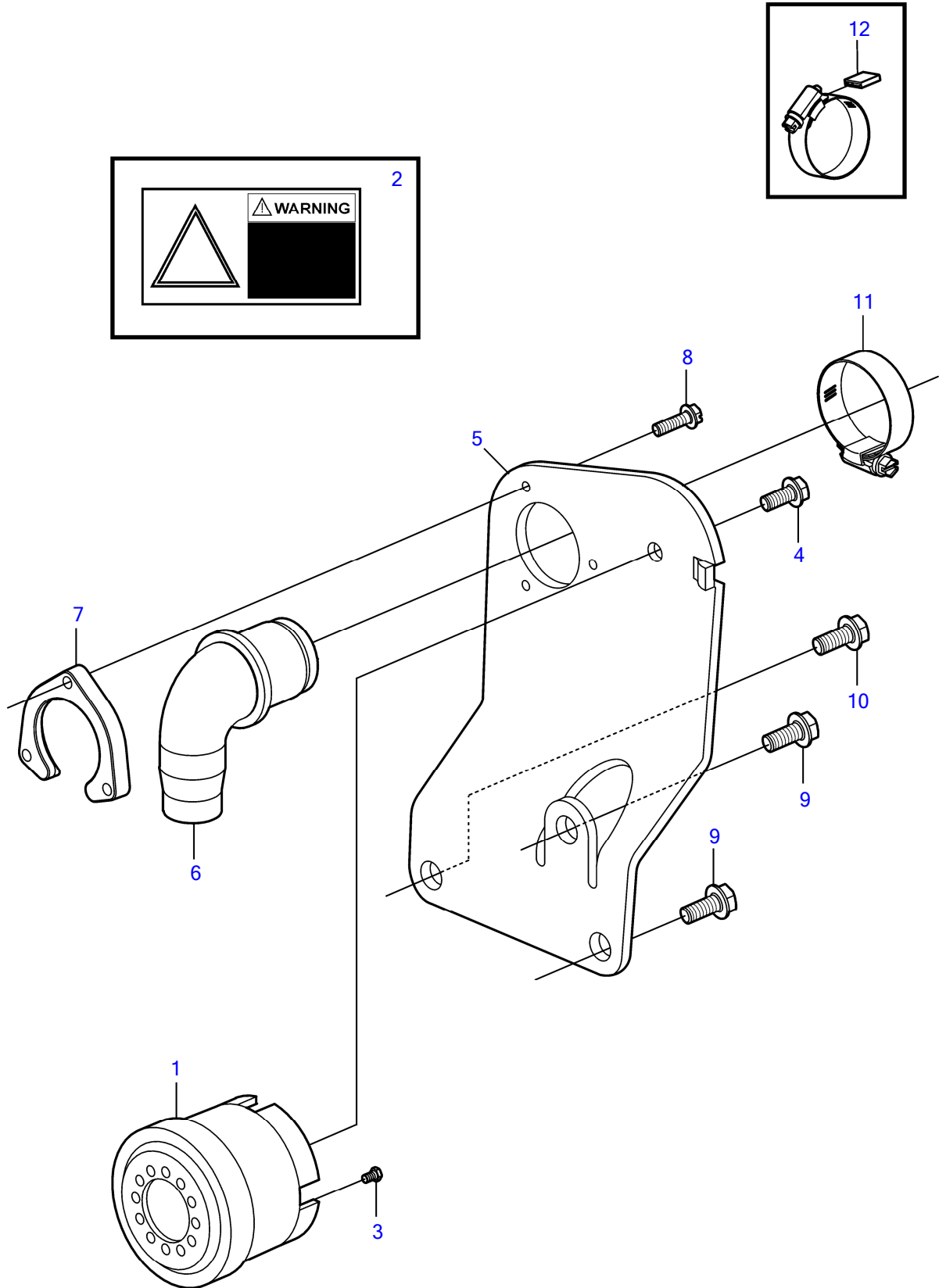


4.3GXl-A





20702



DESCRIPTION	SEE SEC.	NOTES
Maintenance Parts, 4.3GXi	54161156	4.3GXi-A

REF	DESCRIPTION	SEE SEC.
251	Inlet and Exhaust Manifolds	251
256	Air Filter, Throttle Housing	256

REF	DESCRIPTION	SEE SEC.
331	Starter Motor	331

CLICK HERE TO **DOWNLOAD** THE COMPLETE MANUAL

- Thank you very much for reading the preview of the manual.
- You can download the complete manual from: www.heydownloads.com by clicking the link below



- Please note: If there is no response to CLICKING the link, please download this PDF first and then click on it.

CLICK HERE TO **DOWNLOAD** THE COMPLETE MANUAL