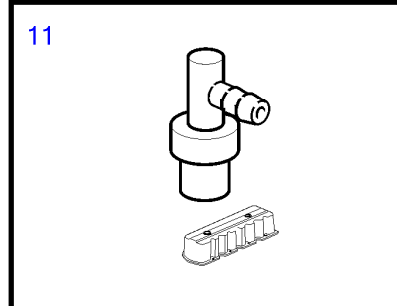
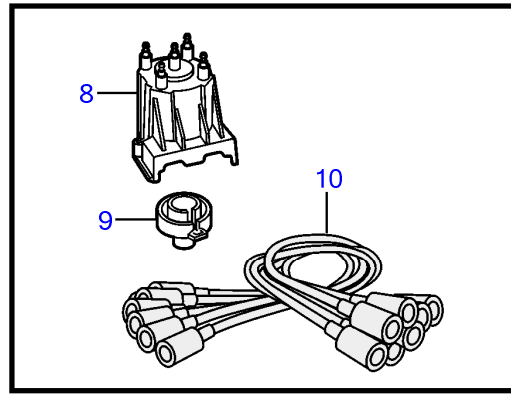
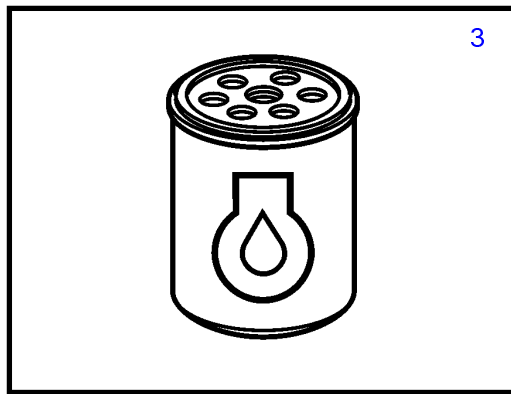
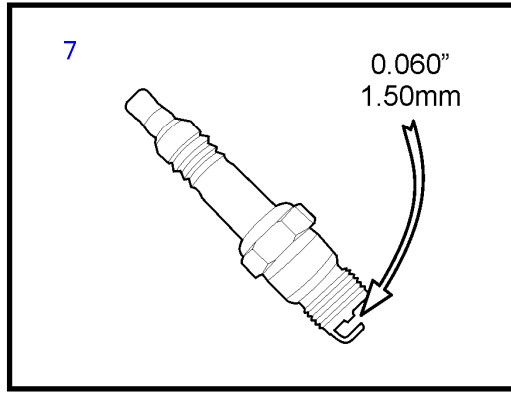
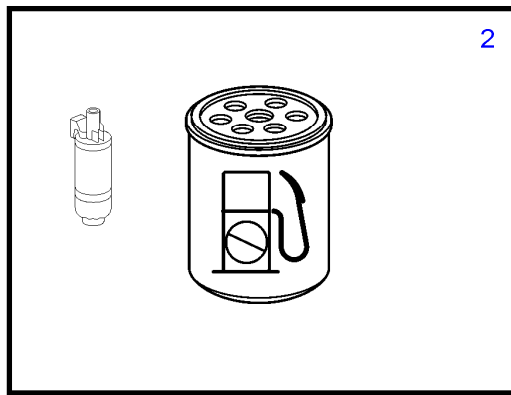
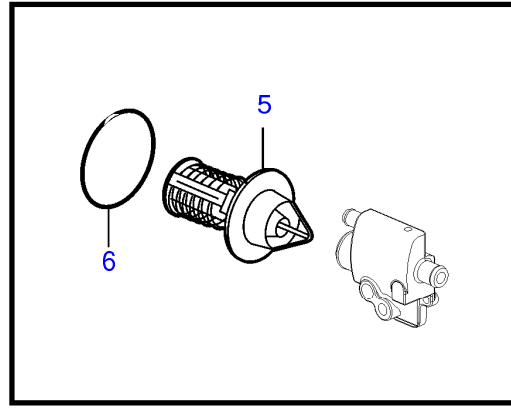
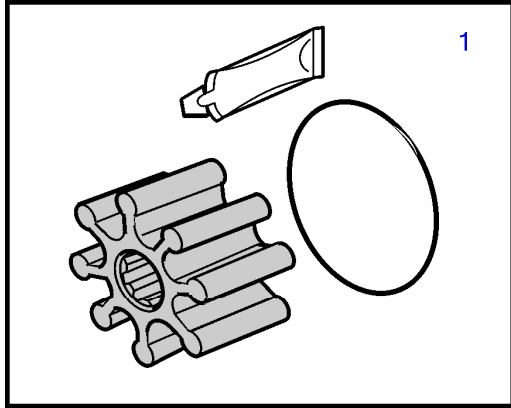


3.0GXIC-J, 3.0GXJ-J



25207

CLICK HERE TO **DOWNLOAD** THE COMPLETE MANUAL

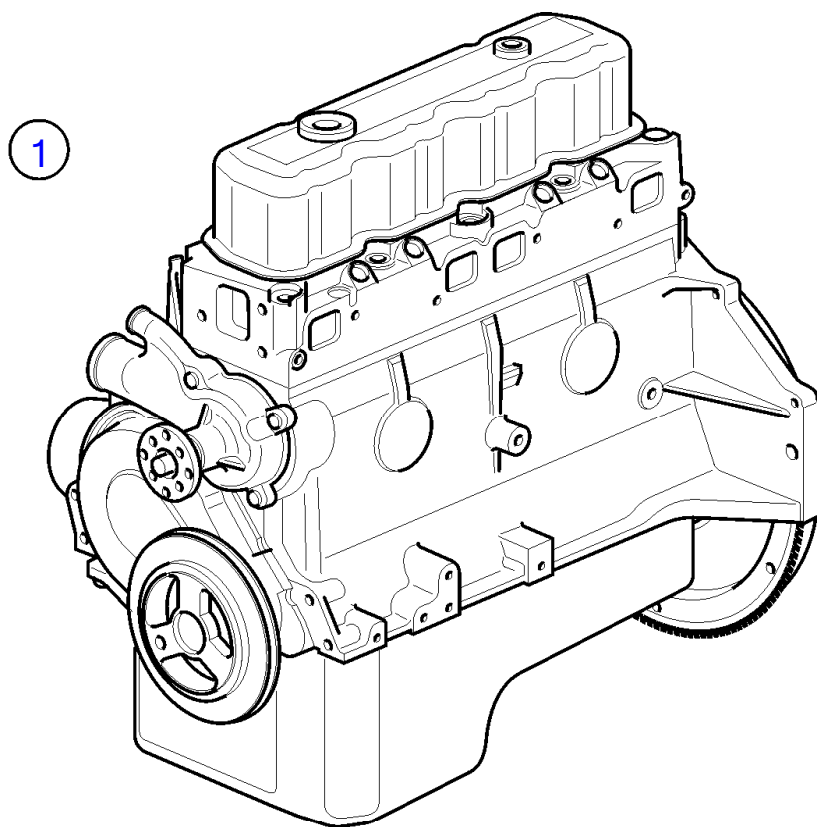
- Thank you very much for reading the preview of the manual.
- You can download the complete manual from: www.heydownloads.com by clicking the link below



- Please note: If there is no response to CLICKING the link, please download this PDF first and then click on it.

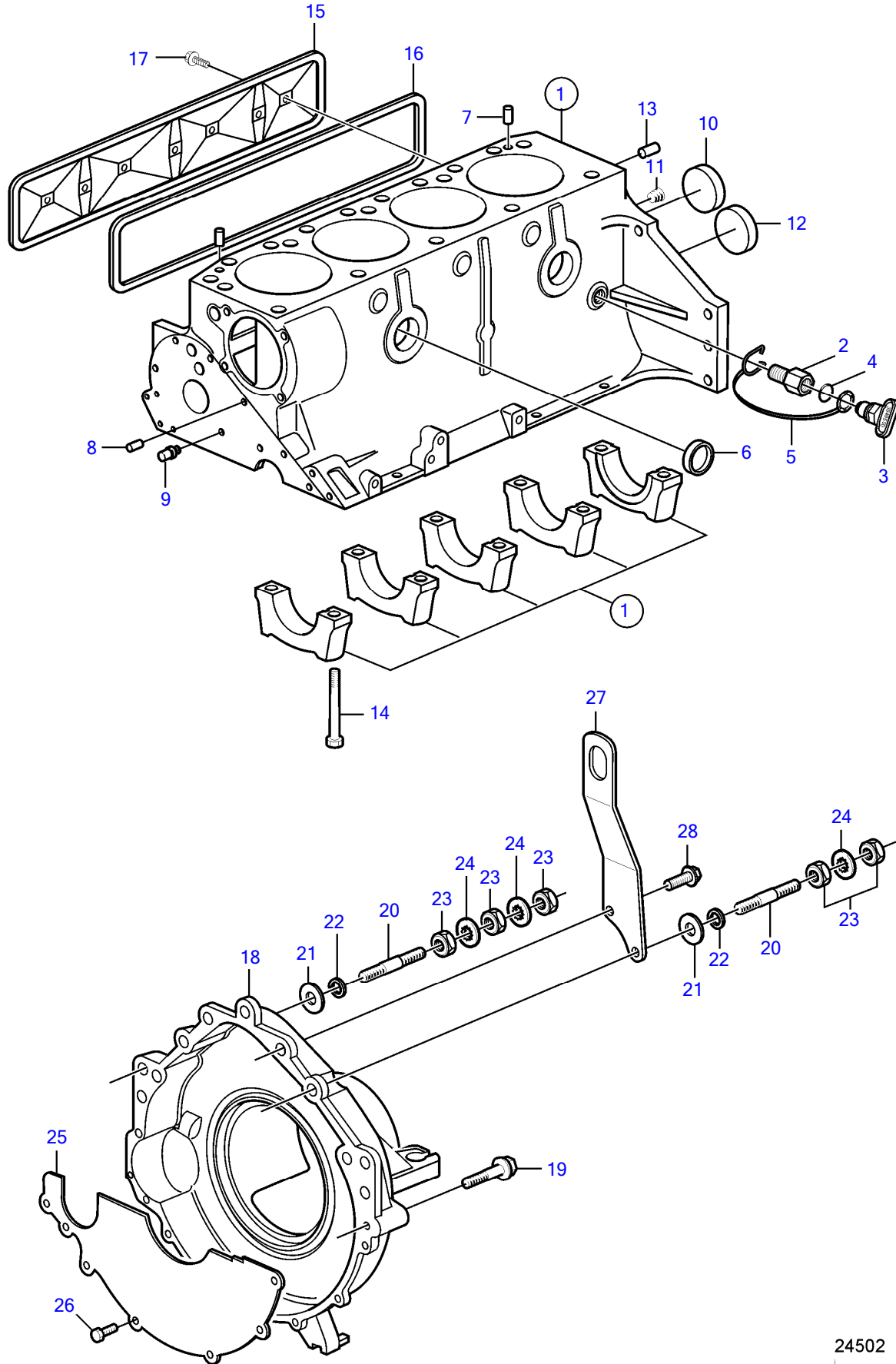
CLICK HERE TO **DOWNLOAD** THE COMPLETE MANUAL

3.0GLM-C, 3.0GLP-C, 3.0GLP-D, 3.0GLP-E, 3.0GLP-J, 3.0GLP-N



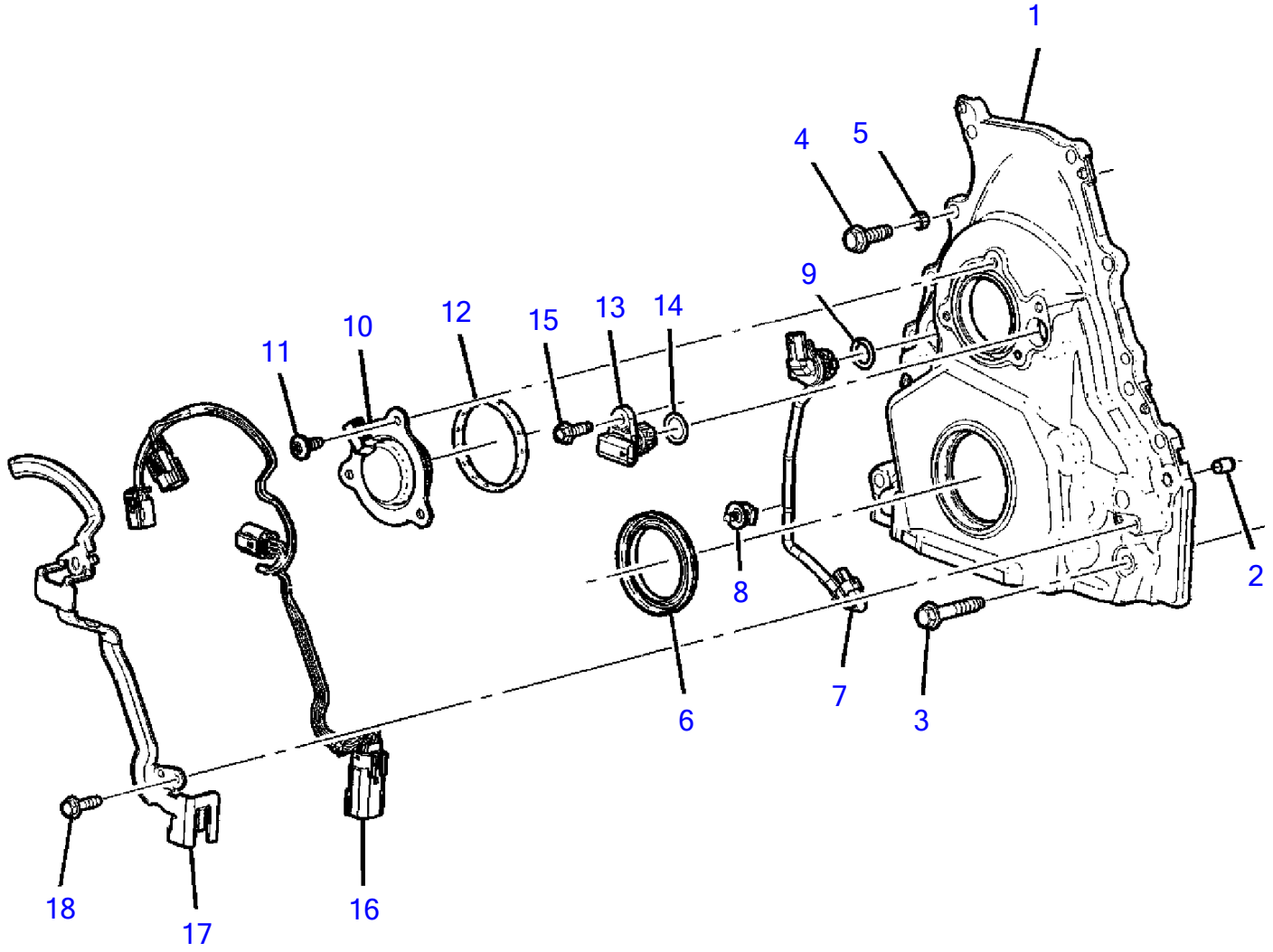
24490

3.0GXIC-J, 3.0GXI-J

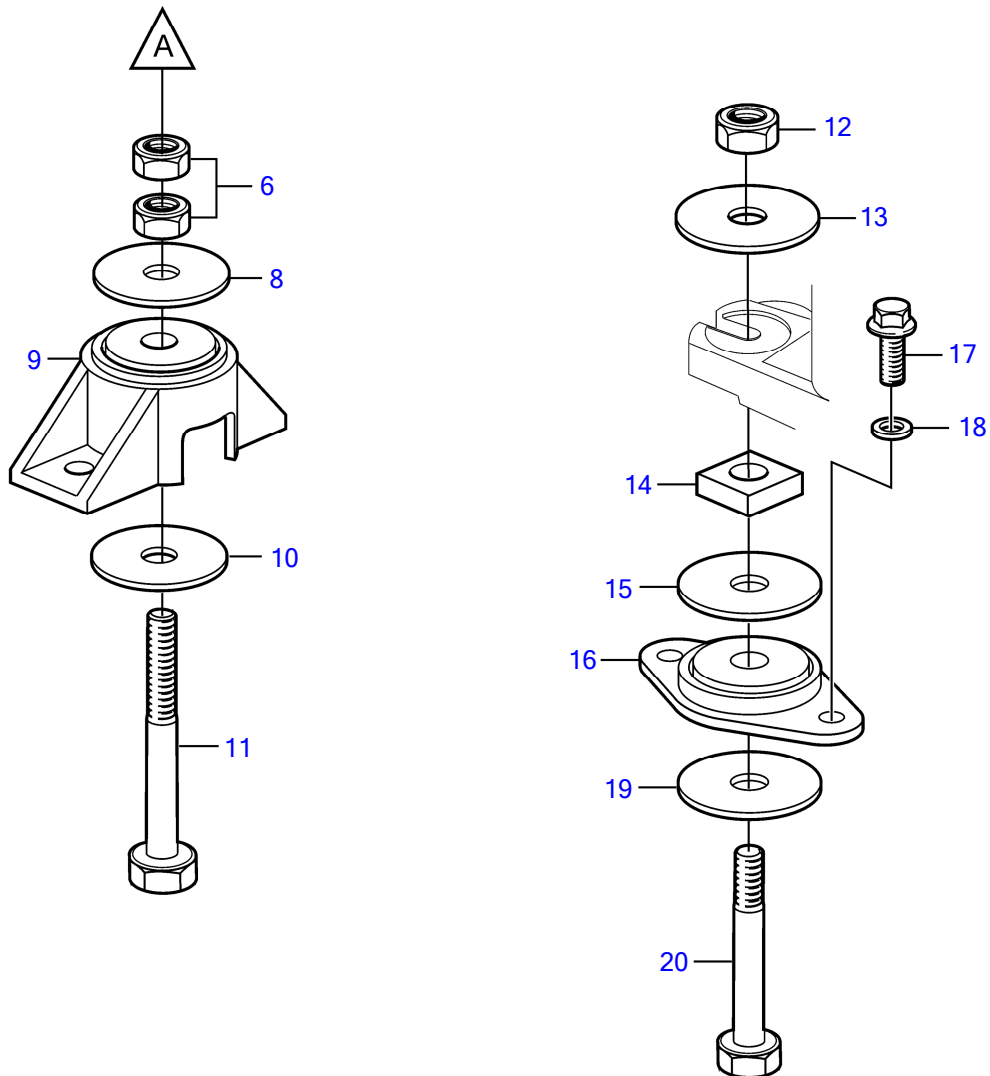
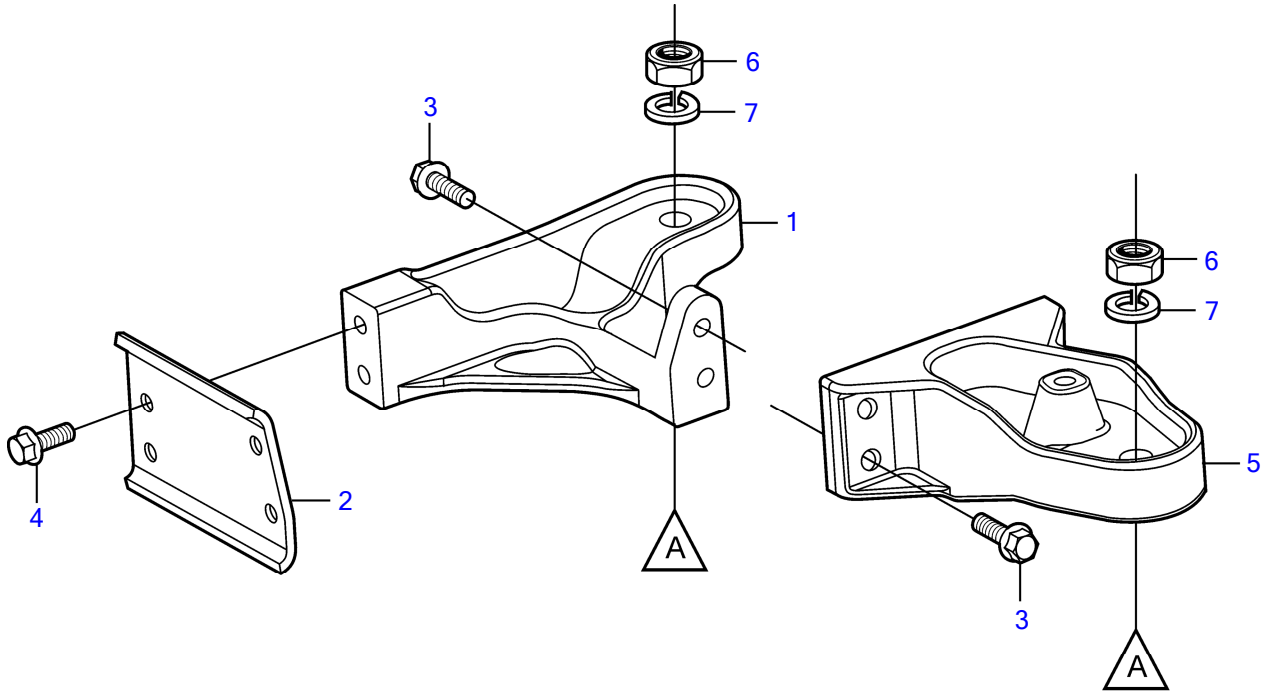


24502

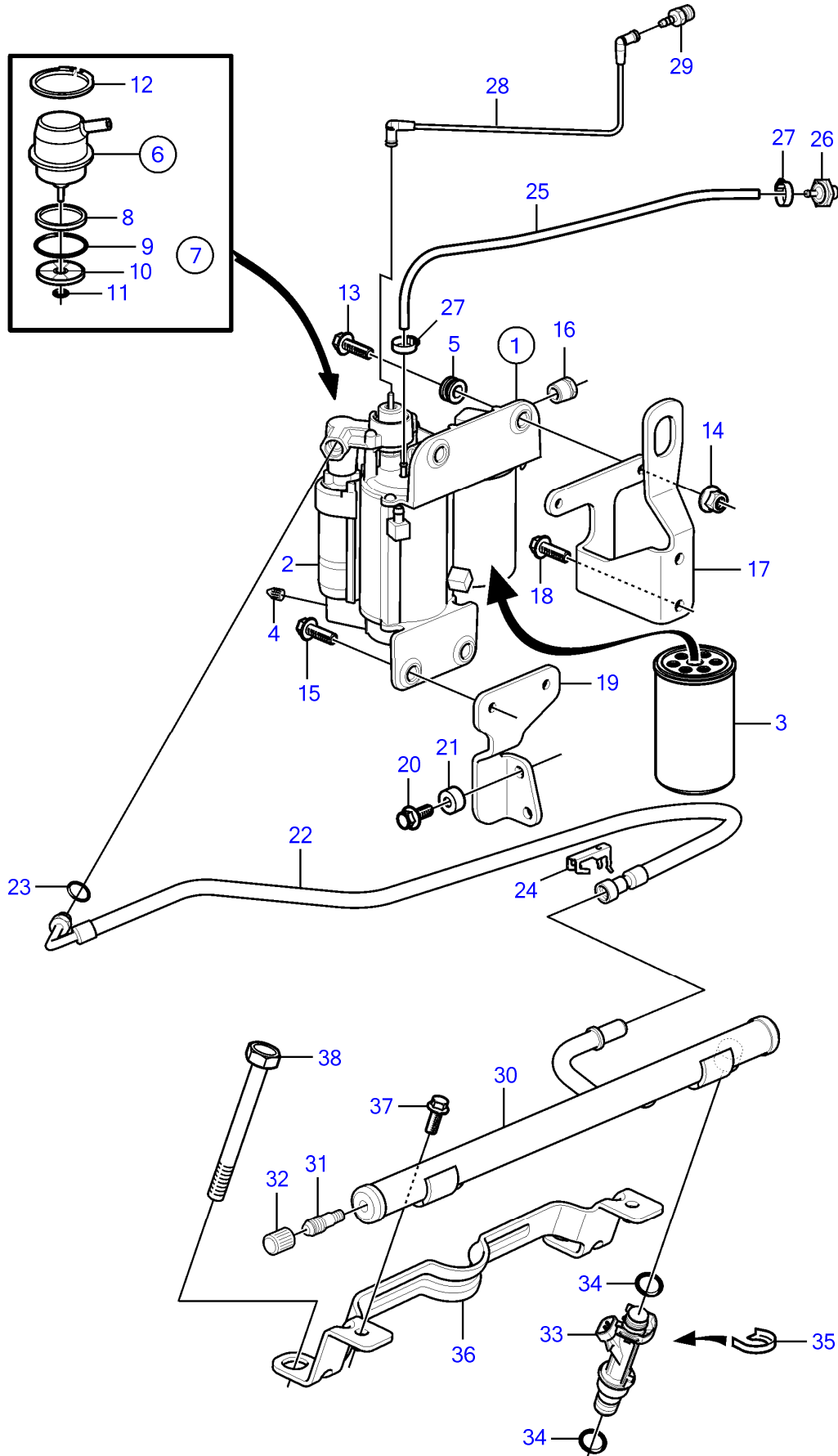
3.0GLP-N



3.0GLP-D, 3.0GLP-E

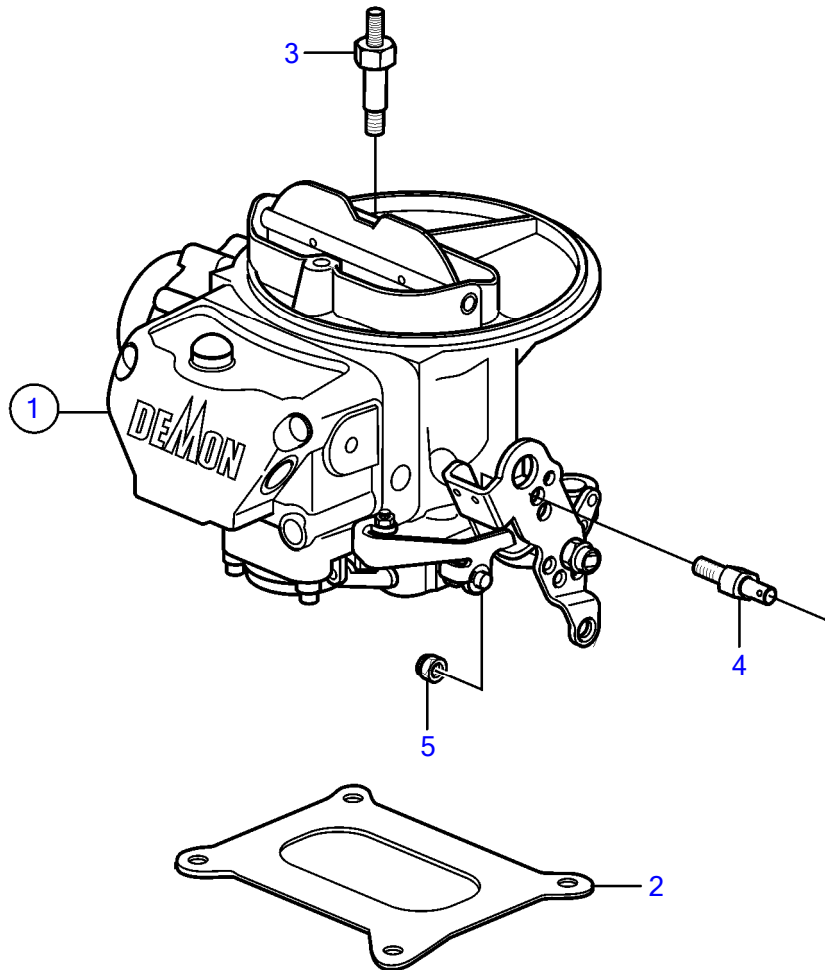
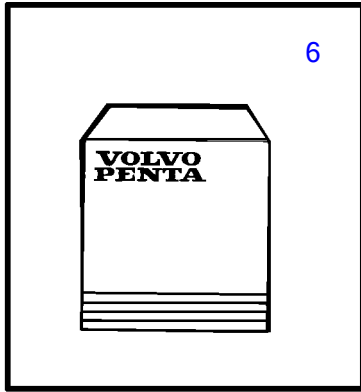


3.0GXIC-J, 3.0GXi-J

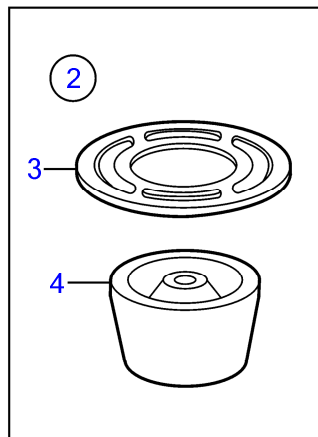
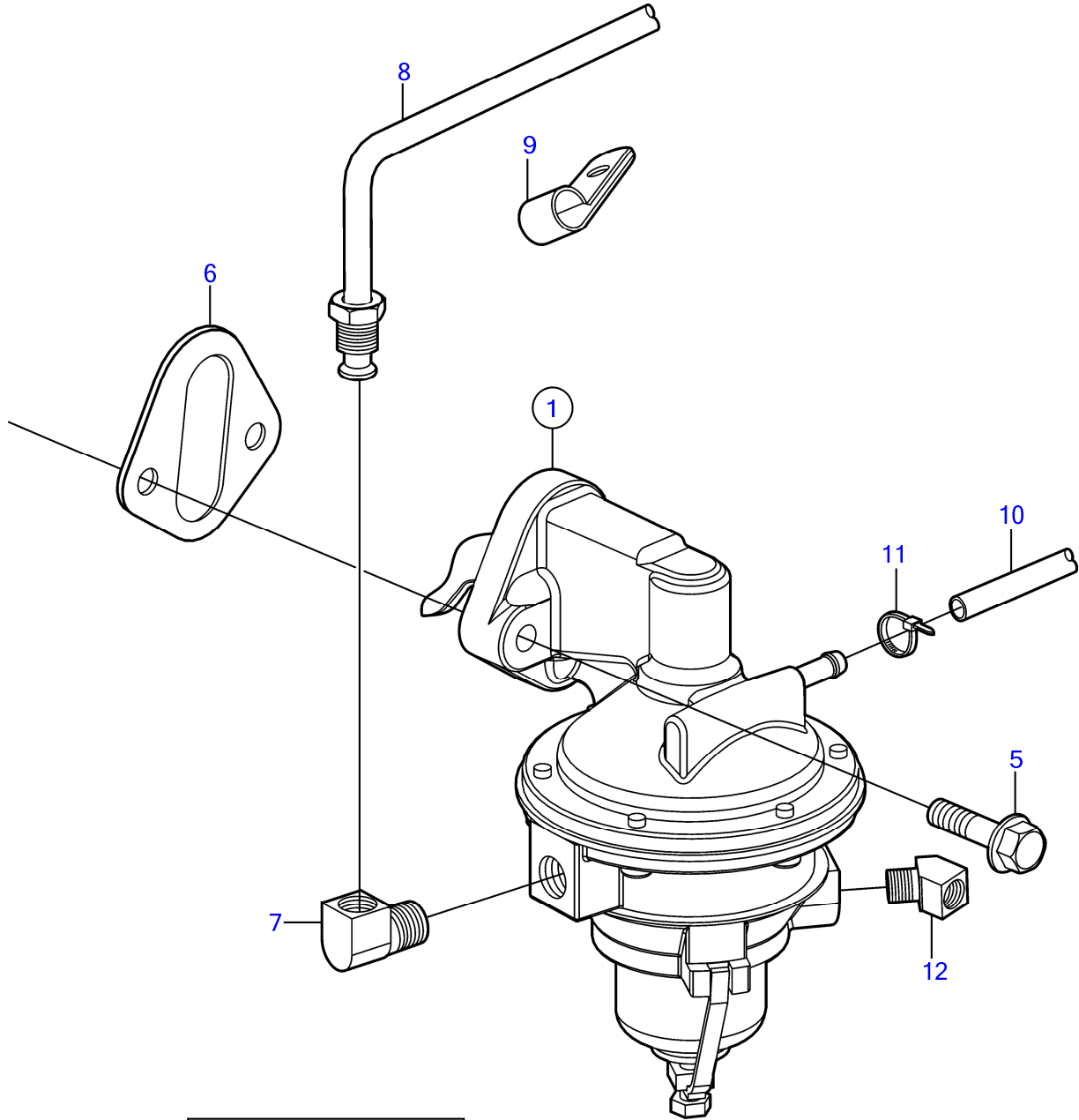


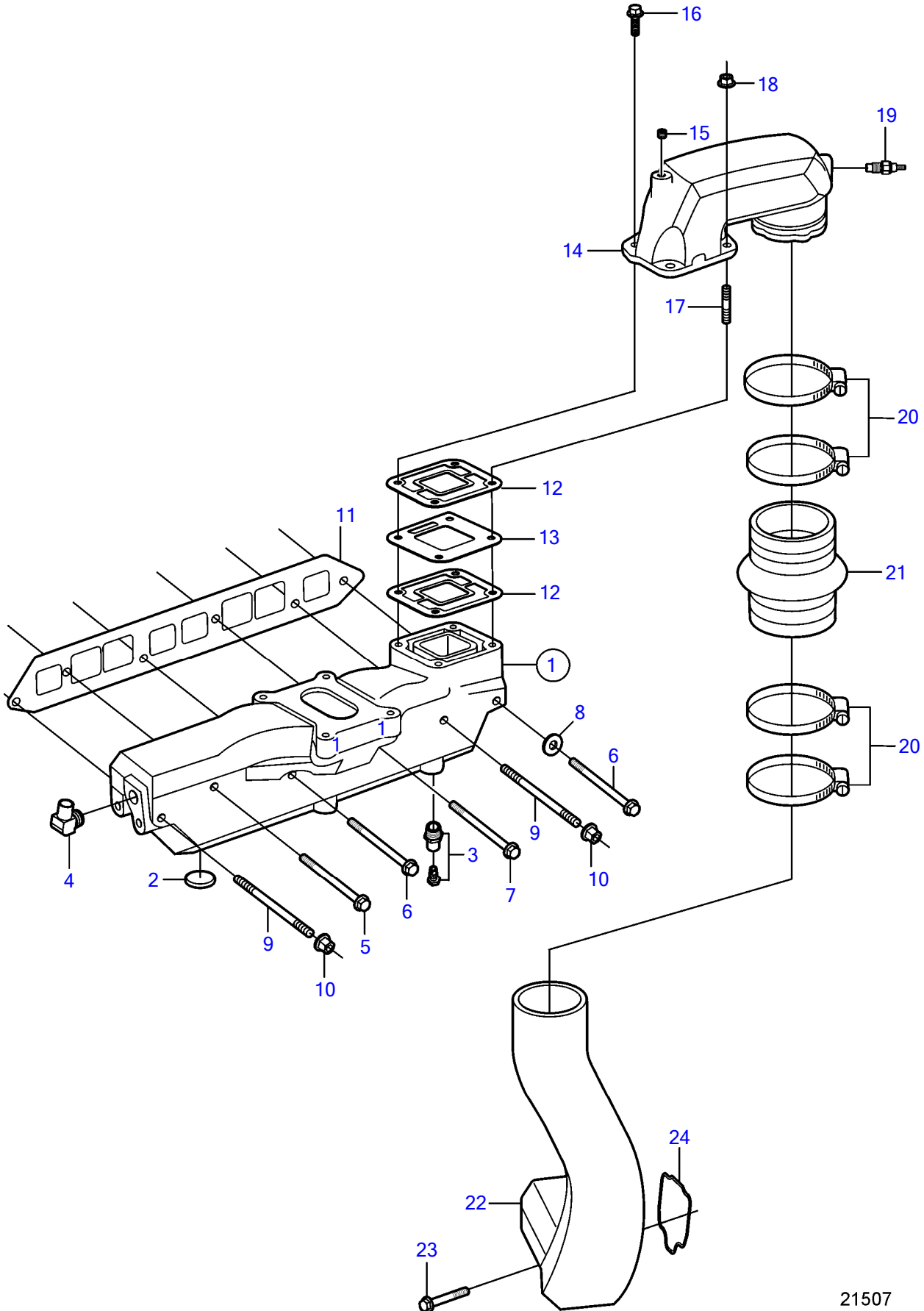
24573

3.0GLP-J, 3.0GLP-N



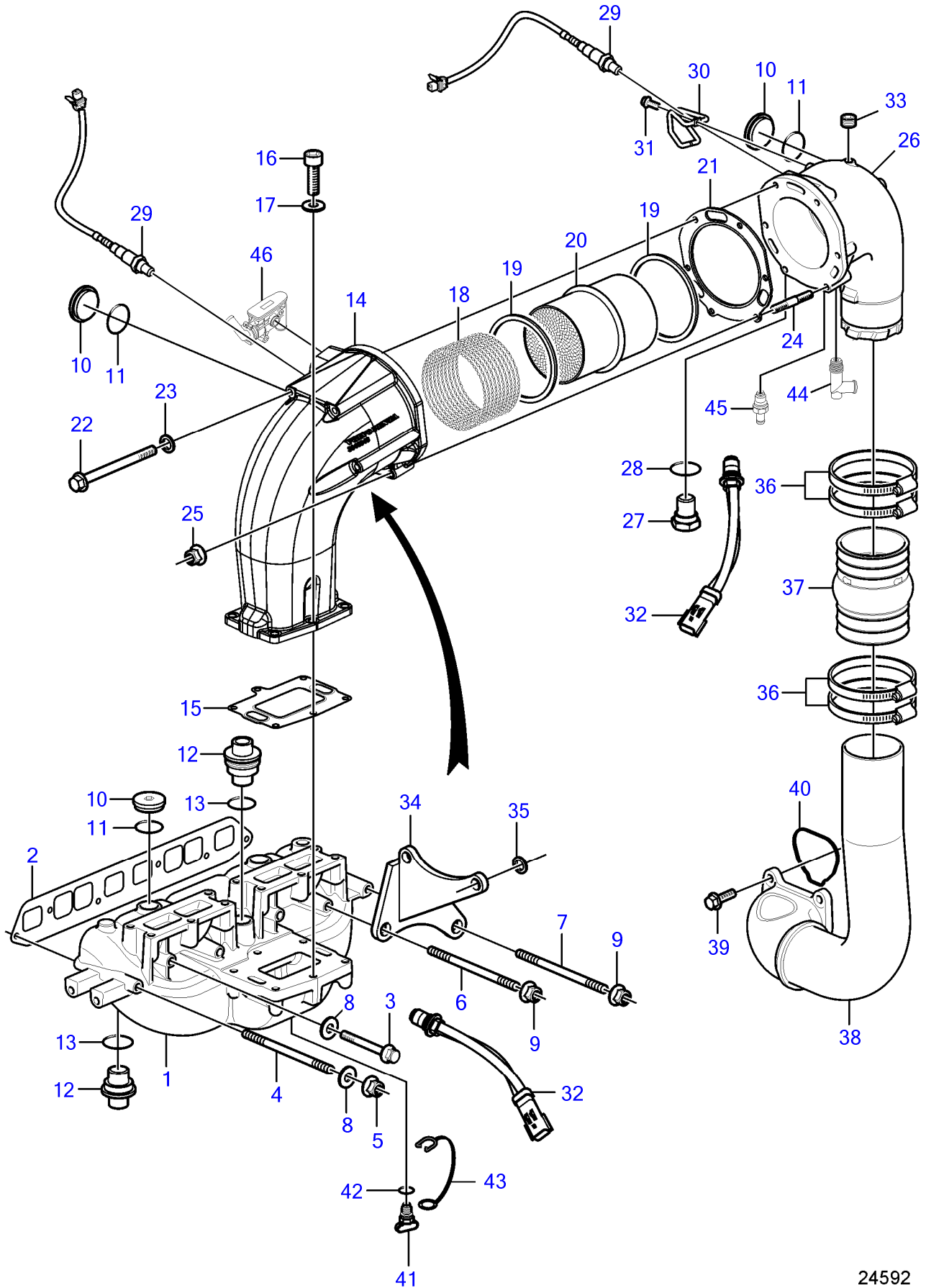
3.0GLM-C, 3.0GLP-C, 3.0GLP-D, 3.0GLP-E, 3.0GLP-J, 3.0GLP-N



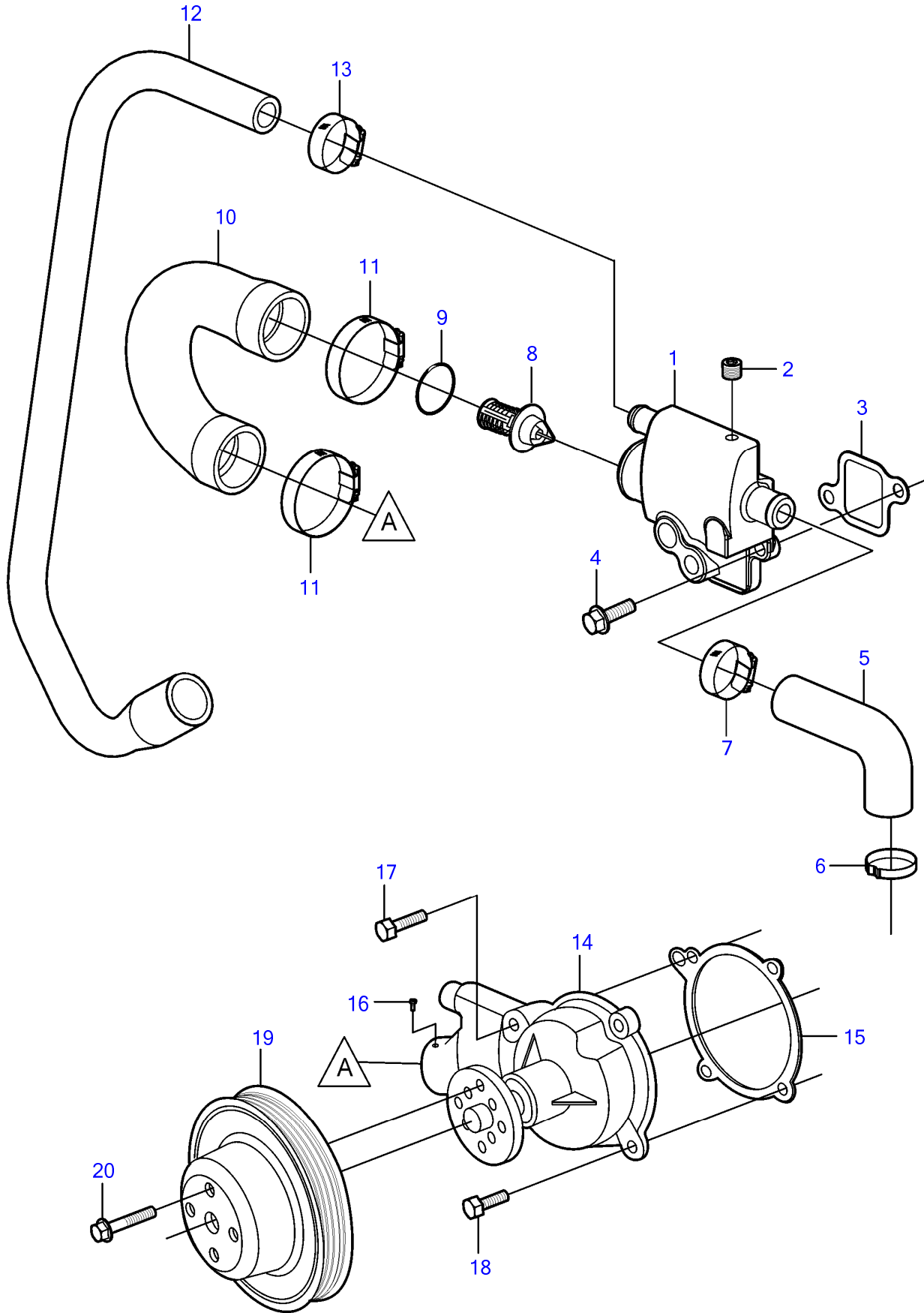


21507

3.0GXIC-J



3.0GLP-D



CLICK HERE TO **DOWNLOAD** THE COMPLETE MANUAL

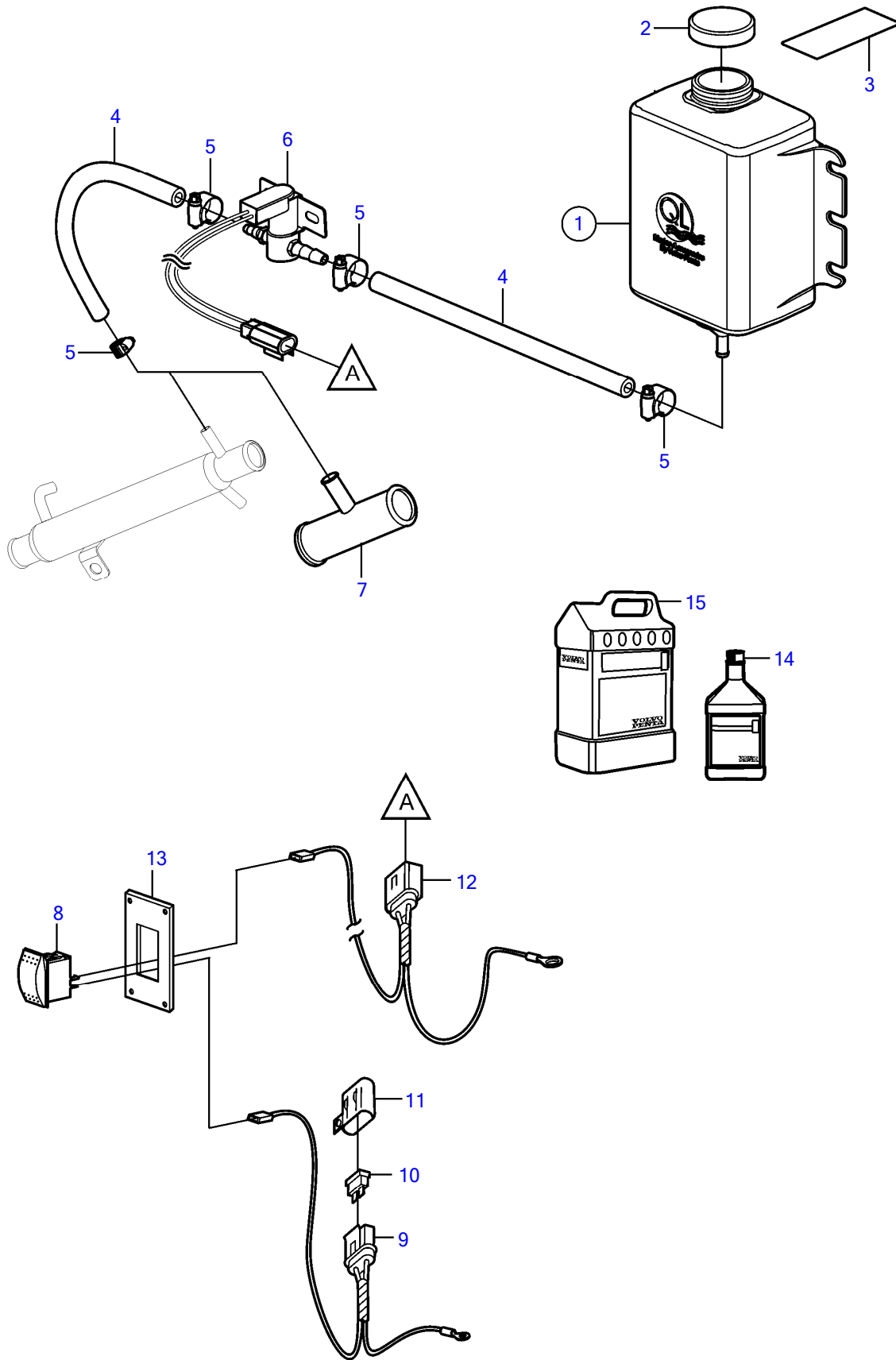
- Thank you very much for reading the preview of the manual.
- You can download the complete manual from: www.heydownloads.com by clicking the link below



- Please note: If there is no response to CLICKING the link, please download this PDF first and then click on it.

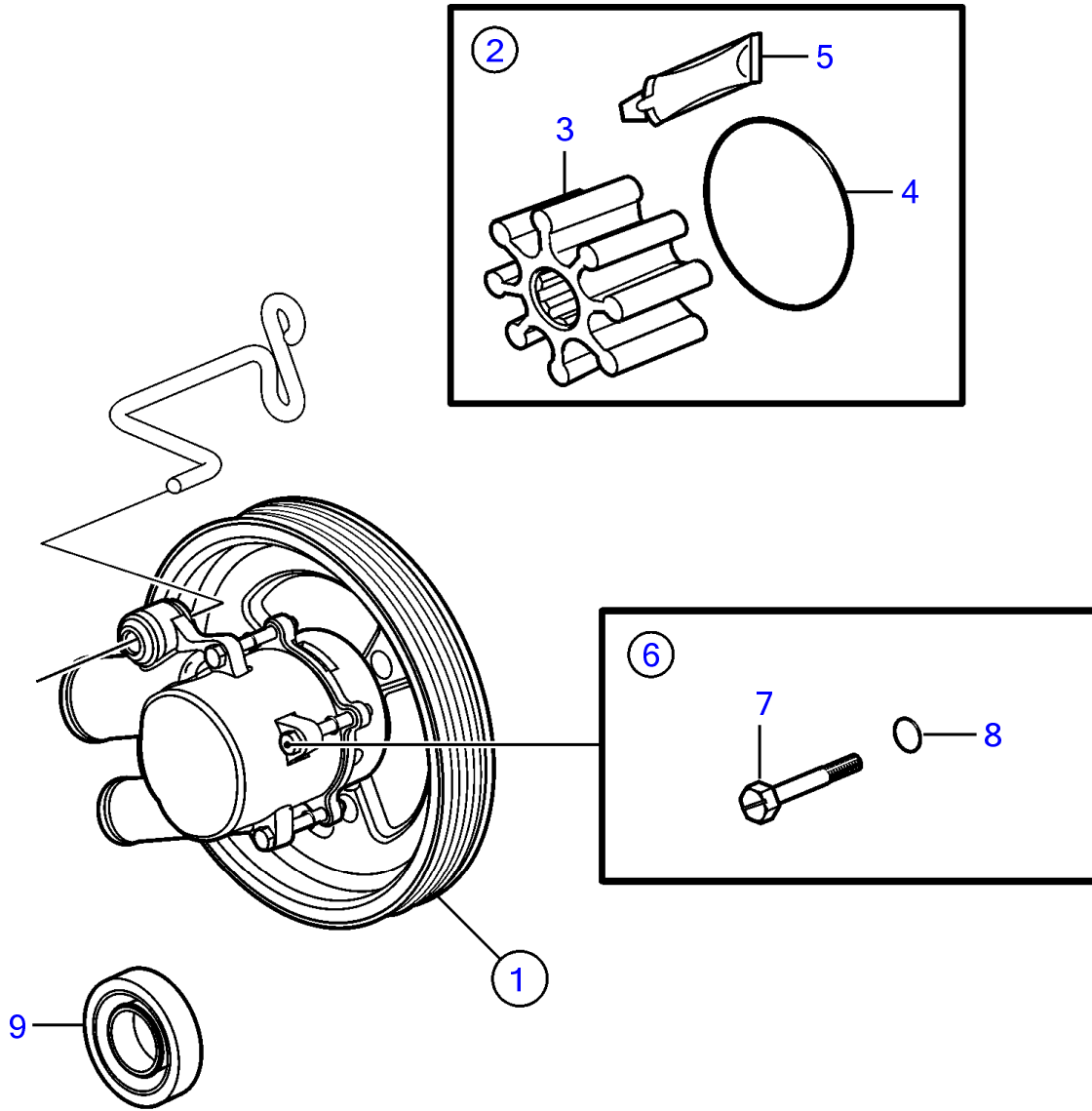
CLICK HERE TO **DOWNLOAD** THE COMPLETE MANUAL

3.0GLP-E, 3.0GLP-J, 3.0GLP-N, 3.0GXIC-J, 3.0GXi-J

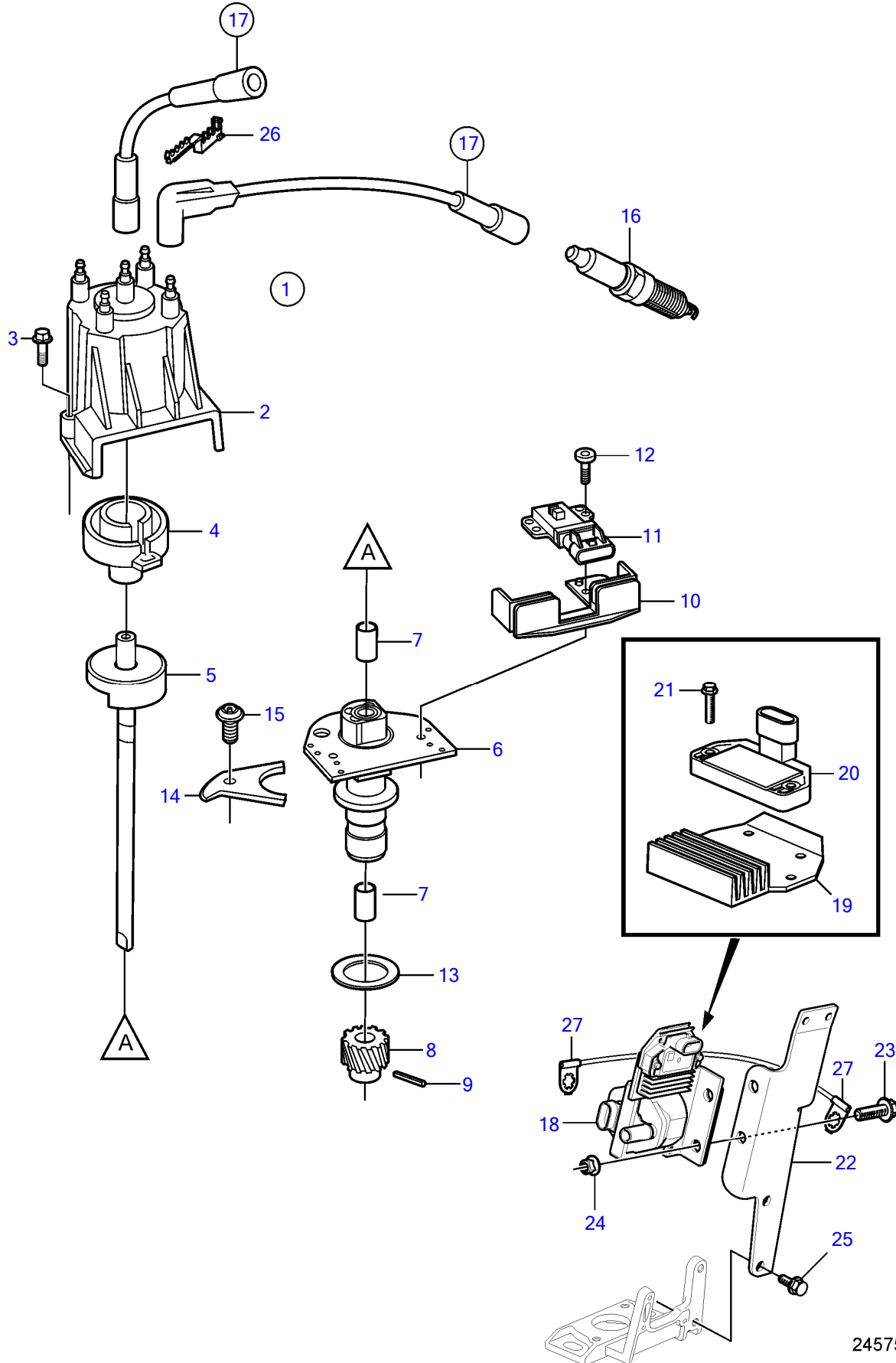


23330

3.0GXIC-J, 3.0GXi-J

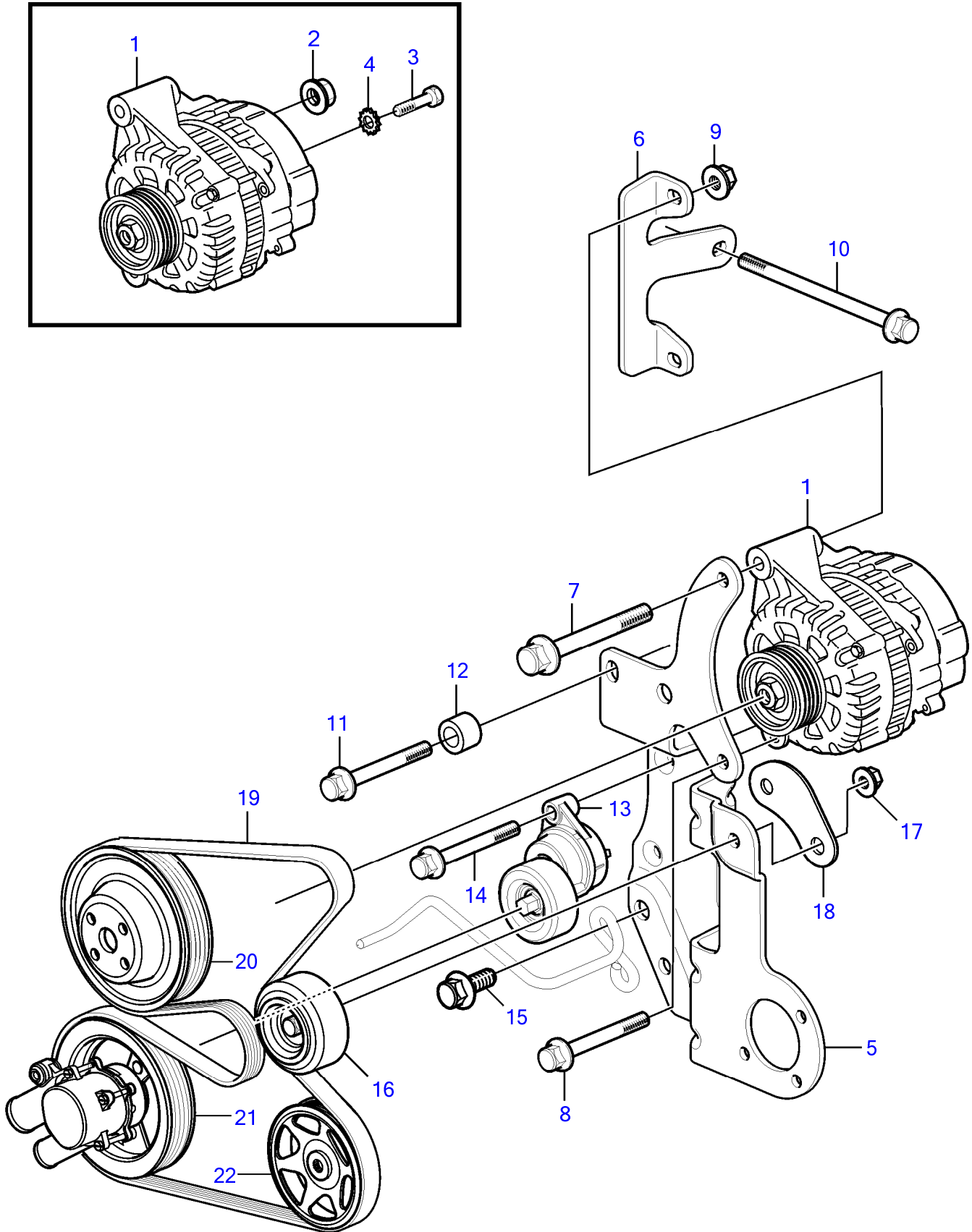


3.0GXIC-J, 3.0GXJ-J

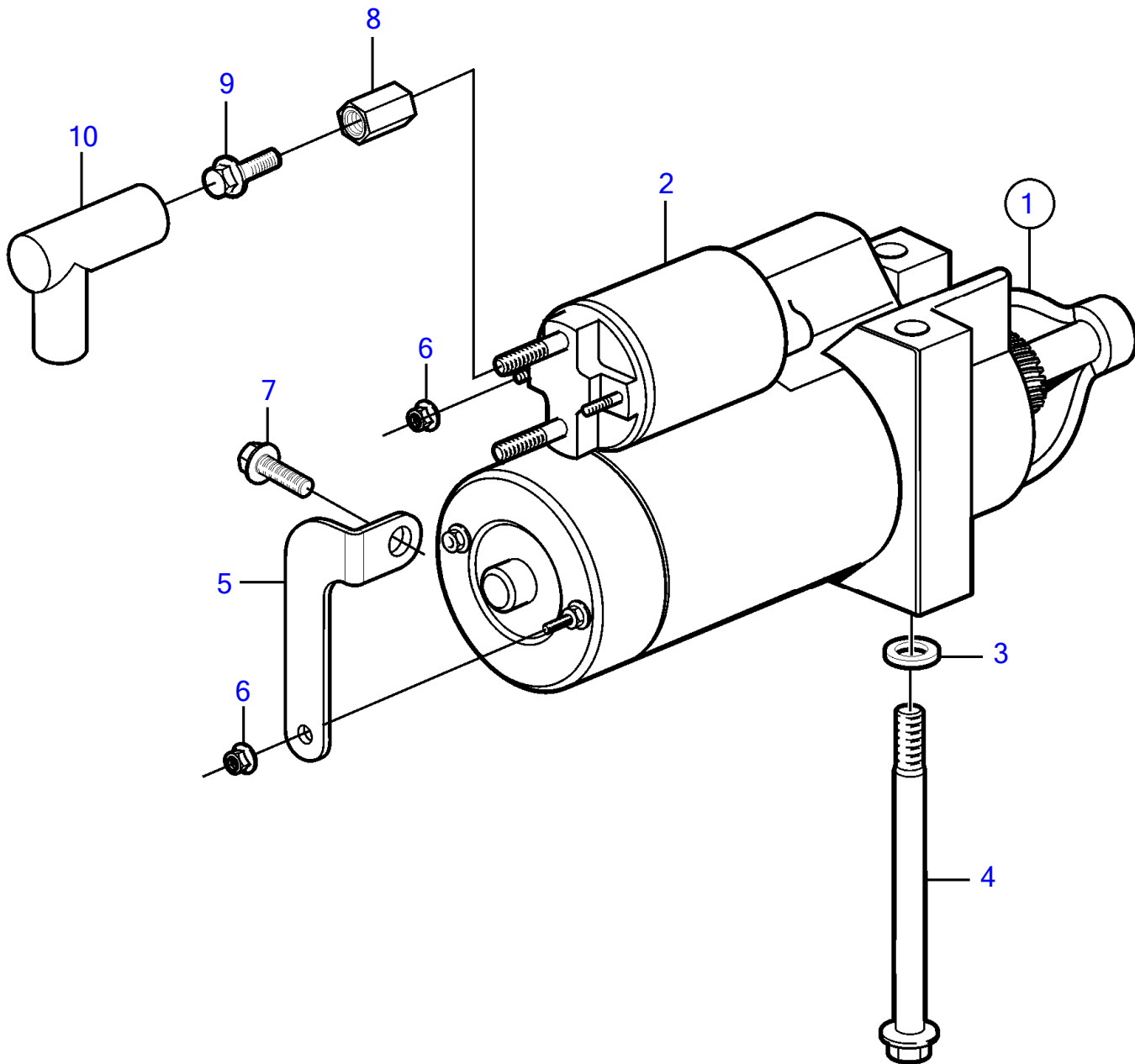


24575

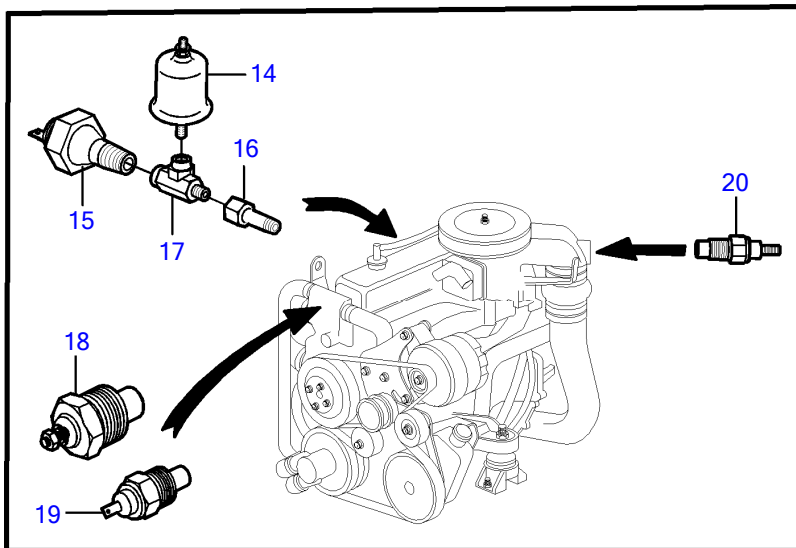
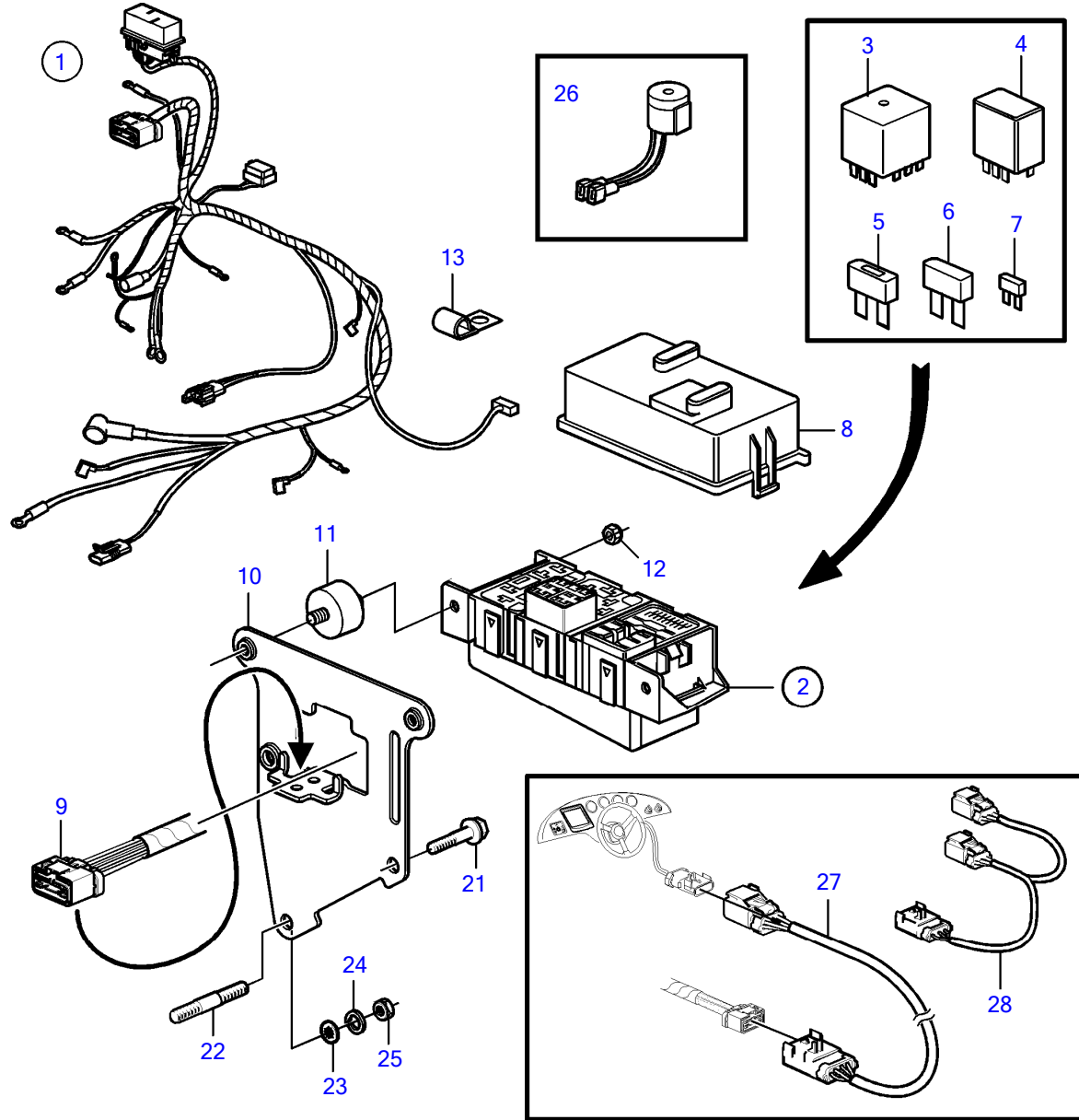
3.0GXIC-J, 3.0GXi-J



3.0GLM-C, 3.0GLP-C, 3.0GLP-D, 3.0GLP-E

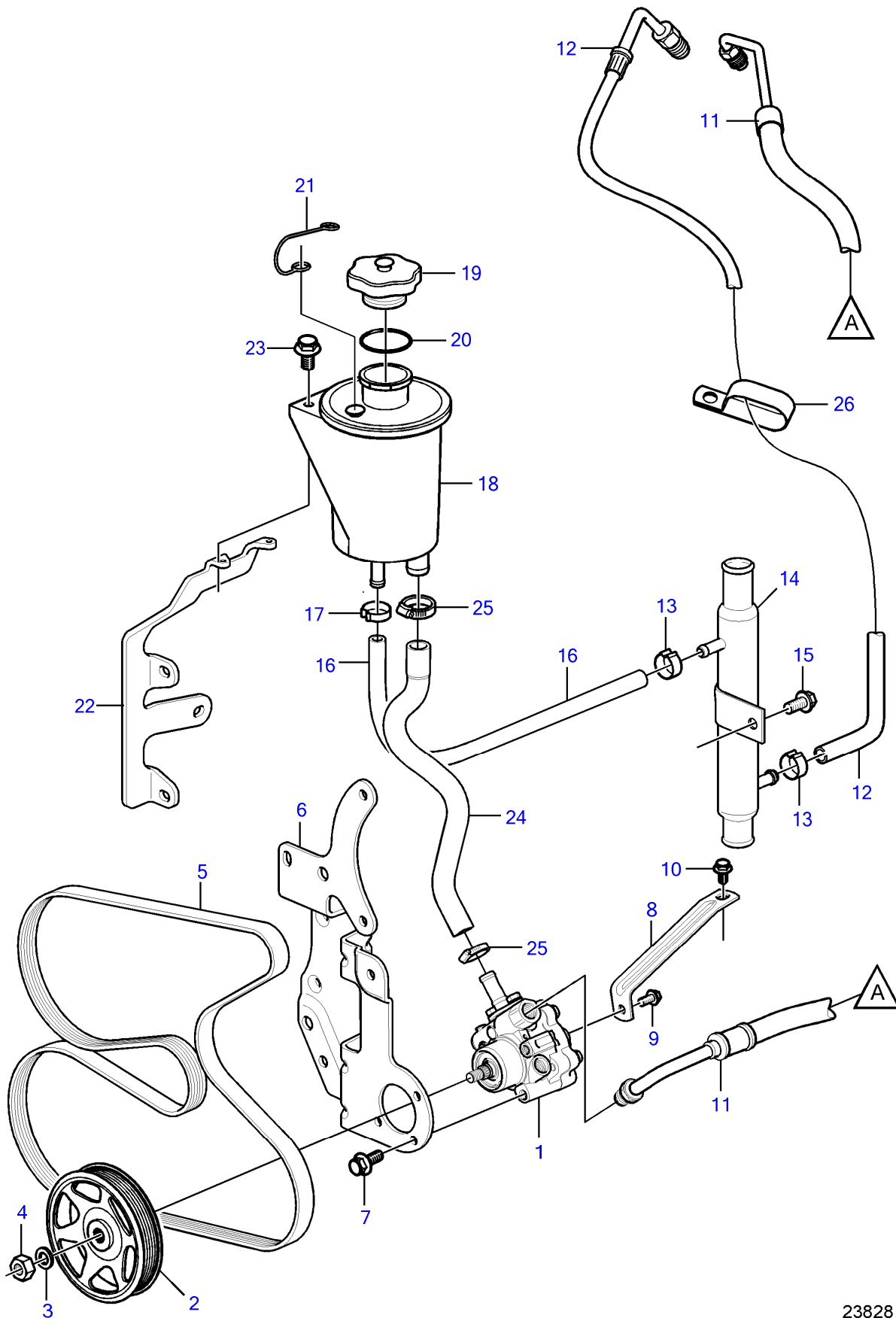


3.0GLP-E, 3.0GLP-J, 3.0GLP-N



23409

3.0GLP-J, 3.0GLP-N



23828

3.0GLM-C, 3.0GLP-C, 3.0GLP-D, 3.0GLP-E, 3.0GLP-J, 3.0GLP-N

REF	PART NO.	QTY	DESCRIPTION
1	(3856730)	1	Overhaul gasket kit, lower
	3851981	1	• Washer
	3852033	1	• O-ring
	3852656	1	• Gasket
	3852657	1	• Seal
	(3852658)	1	• Gasket
	3852691	1	• Gasket
	(3853002)	1	• Gasket
	(3853341)	1	• Seal
	3853342	1	• Gasket
	3853343	1	• Gasket
	3853674	1	• O-ring
	3854865	1	• Gasket
2	(3856729)	1	Overhaul gasket kit, upper
	3850495	2	• Gasket
	3852096	1	• Gasket
	3852120	1	• Gasket
	3852127	1	• Gasket
	3852660	1	• Gasket
	(3852692)	1	• Gasket
	3852693	1	• Gasket
	(3853145)	8	• Shield
	3853256	1	• Gasket
	3853283	1	• Gasket
	3853336	1	• Cylinder head gasket
	3854956	8	• Seal

DESCRIPTION	SEE SEC.	NOTES
Cylinder Block and Flywheel Housing	54158283	3.0GLP-J, 3.0GLP-N
Cylinder Block and Flywheel Housing	54169899	3.0GLM-C, 3.0GLP-C, 3.0GLP-D
Cylinder Block and Flywheel Housing	54160394	3.0GXi-J, 3.0GXiC-J
Cylinder Block and Flywheel Housing	54157914	3.0GLP-E

DESCRIPTION	SEE SEC.	NOTES
Throttle Control	54165076	3.0GLP-N

DESCRIPTION	SEE SEC.	NOTES
Fuse and Relay Box	54161709	3.0GXiC-J

CLICK HERE TO **DOWNLOAD** THE COMPLETE MANUAL

- Thank you very much for reading the preview of the manual.
- You can download the complete manual from: www.heydownloads.com by clicking the link below



- Please note: If there is no response to CLICKING the link, please download this PDF first and then click on it.

CLICK HERE TO **DOWNLOAD** THE COMPLETE MANUAL