

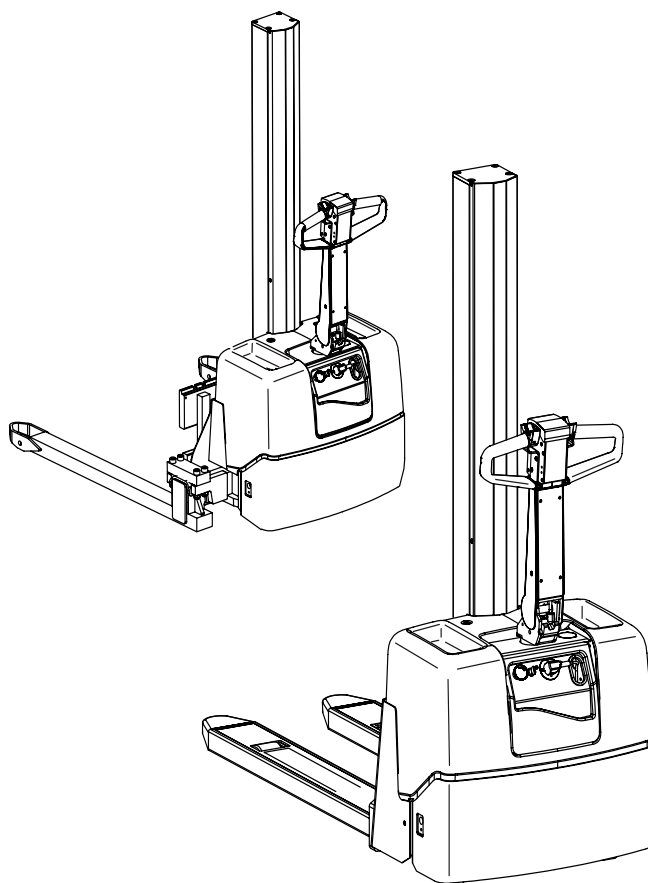
TOYOTA

Powered Pallet Truck SP10 / SP10S

Valid for machine number: 947624 -

Only valid for machine number:

--	--	--	--	--	--	--	--



Spare Parts Catalogue

Ordering number237398

Date2006-06-16/ITS

CLICK HERE TO **DOWNLOAD** THE COMPLETE MANUAL

- Thank you very much for reading the preview of the manual.
- You can download the complete manual from: www.heydownloads.com by clicking the link below



- Please note: If there is no response to CLICKING the link, please download this PDF first and then click on it.

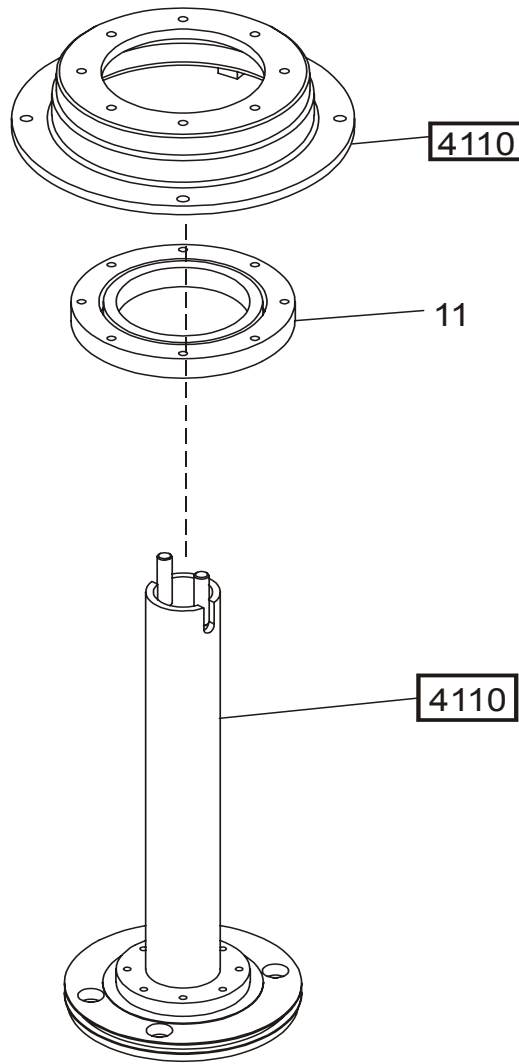
CLICK HERE TO **DOWNLOAD** THE COMPLETE MANUAL

3540-00089 Support/castor wheels

[2006-01-12]

Stöd-/länkhjul; Stützräder/Gelenkrollen; Roues stabilisatrices/pivotantes;

			795 SP10 795 SP10S	904526 - 904526 -
Pos	Description	Pcs	Part No	Note
11	Castor wheel comp Länkhjul komp; Stutzrad Kompl; Galet support	2	220345	
12	Screw Skruv; Schraube; Vis	2	22144	
13	Greasing nipple Smörjnippel; Smiernippel; Graisseur	2	27662	
14	Support Hållare; Stossfänger; Absorber des chocs	2	221348	
15	Plain bearing Glidlager; Gleitlager; Palier à douille	2	220397	
16	Washer Bricka; Scheibe; Rondelle	1	224696	
17	Spring Fjäder; Feder; Ressort	2	224923	
18	Bush Bussning; Bague; Bague	2	220295	
19	Washer Bricka; Scheibe; Rondelle	1	224696	
20	Castor wheel fork Länkhjulsgaffel; Gelenkradgabel; Fource des roues	2	220275	
21	Screw Skruv; Schraube; Vis	2	20319	
22	Nut Mutter; Mutter; Ecrou	2	20130	
23	Washer Bricka; Scheibe; Rondelle	2	20458	
24	Link wheel(Polyuretan) Länkhjul; Gelenkrad; Roue articulée	2	167797	
26	Ball bearing Kullager; Kugellager; Roulement a billes	4	22093	
27	Pipe Rör; Rohr; Tube	2	182449	
28	Screw Skruv; Schraube; Vis	8	20599	
29	Washer Bricka; Scheibe; Rondelle	8	126723-004	
30	Bracket Fäste; Halterung; Support	2	220087	
31	Nut Mutter; Mutter; Ecrou	2	21110	
32	Washer Bricka; Scheibe; Rondelle	2	20404	
33	Stop screw Stoppkrav; Einstellschraube; Vis de arretaire	2	20824	



4180-00018 Steering bearings, radial bearing

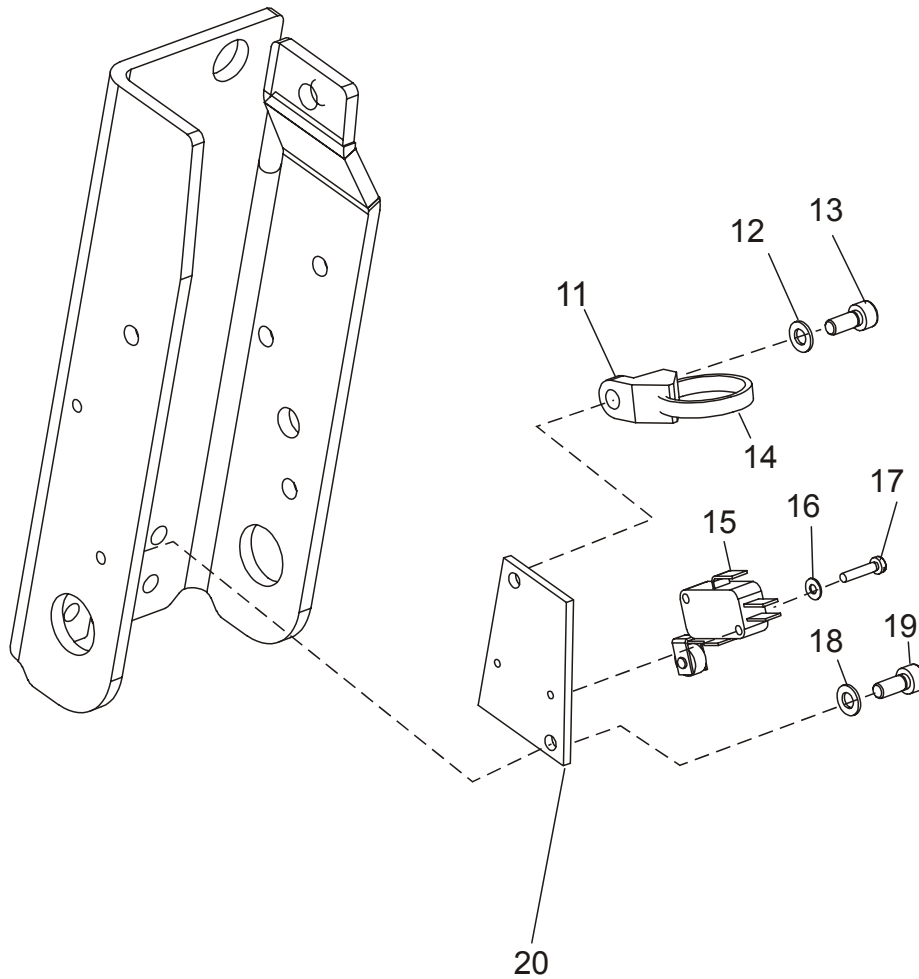
[2006-01-12]

Styrlagring/-krans; Führungslagerung, Lenkkranz; Paliers de direction, paliers radials;

Pos	Description	Pcs	Part No	Note
11	Steering bearing Styrlager; Steuerlager; Roulement de commande	1	180189	

5310-00065

P0013163



5310-00065 Start/stop switch

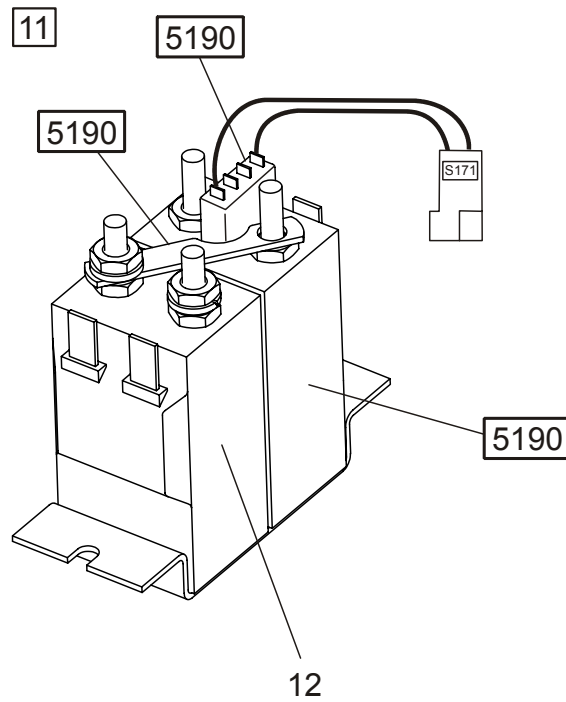
[2006-01-12]

Start/stopströmställare; Schalter Fahren/Anhalten; Interrupteur (coupe-circuit) démarrage/arrêt;

Pos	Description	Pcs	Part No	Note
			795 SP10 795 SP10S	904526 - 904526 -
11	Bracket Fäste; Halterung; Support	1	134911	
12	Washer Bricka; Scheibe; Rondelle	1	21307	
13	Screw Skruv; Schraube; Vis	1	20120	
14	Clamp Klamma; Rohrschelle; Collier	1	20942	
15	Micro switch Mikrobrytare; Mikroschalter; Interrupteurs	1	180656	
16	Washer Bricka; Scheibe; Rondelle	2	21392	
17	Screw Skruv; Schraube; Vis	2	23638	
18	Washer Bricka; Scheibe; Rondelle	1	21307	
19	Screw Skruv; Schraube; Vis	1	22059	
20	Plate Plåt; Platte; Plaque	1	156722	

5610-00030

P0026943



5610-00030 Pump contactor

Pumpkontaktor; Pumpenmotorkontaktor; Contacteur (moteur) de pompe;

[2006-06-16]

Pos	Description	Pcs	Part No	Note
			795 SP10 795 SP10S	947624 - 947624 -
11	Contacteur compl. Kontaktör kompl.; Kontaktör kompl.; Contacteur compl.	1	226722	
12	Contacteur Kontaktör; Kontaktör; Contacteur	1	230890	K30

7120-00348 Main lift chain system

[2006-01-12]

Huvudlyftkedjesystem; Haupthubkettensystem; Système de chaîne de levage mâit principal;

			795 SP10 795 SP10S	904526 - 904526 -
Pos	Description	Pcs	Part No	Note
11	Nut Mutter; Mutter; Erou	2	20249	
12	Stop screw Stoppskruv; Einstellschraube; Vis de arretoire	2	220278	
13	Plate Plåt; Platte; Plaque	1	223166	
14	Roller Rulle; Rolle; Roleau	1	215746	
15	Locking pin Spännstift; Spannstift; Goupille	1	21316	
16	Screw Skruv; Schraube; Vis	1	162851	
17	Axle Axel; Achse; Axe	1	215747	
18	Bracket Fäste; Halterung; Support	1	215736	
19	Nut Mutter; Mutter; Erou	1	20006	
20	Nut Mutter; Mutter; Erou	1	20528	
21	Lifting chain complete(L=1066.8 mm) Lyftkedja komplett; Hubkette Komplett; Chaîne d'élévation complet	1	215758-001	LH = 1580 mm
21	Lifting chain complete(L=1295.5 mm) Lyftkedja komplett; Hubkette Komplett; Chaîne d'élévation complet	1	215758-002	LH = 2000 mm
22	Ring Ring; Ring; Bague	2	24317	
23	Axle Axel; Achse; Axe	1	215752	
24	Anchor bolt Fästbult; Ankerbolzen; Boulon de fixation	1	100839	
25	Chain bolt Kedjebult; Kettenbolzen; Tourillon de chaîne	1	105814	
26	Washer Bricka; Scheibe; Rondelle	2	20404	
27	Cotter pin Saxpinne; Gespalter stift; Goupille fendue	2	21445	

CLICK HERE TO **DOWNLOAD** THE COMPLETE MANUAL

- Thank you very much for reading the preview of the manual.
- You can download the complete manual from: www.heydownloads.com by clicking the link below



- Please note: If there is no response to CLICKING the link, please download this PDF first and then click on it.

CLICK HERE TO **DOWNLOAD** THE COMPLETE MANUAL