

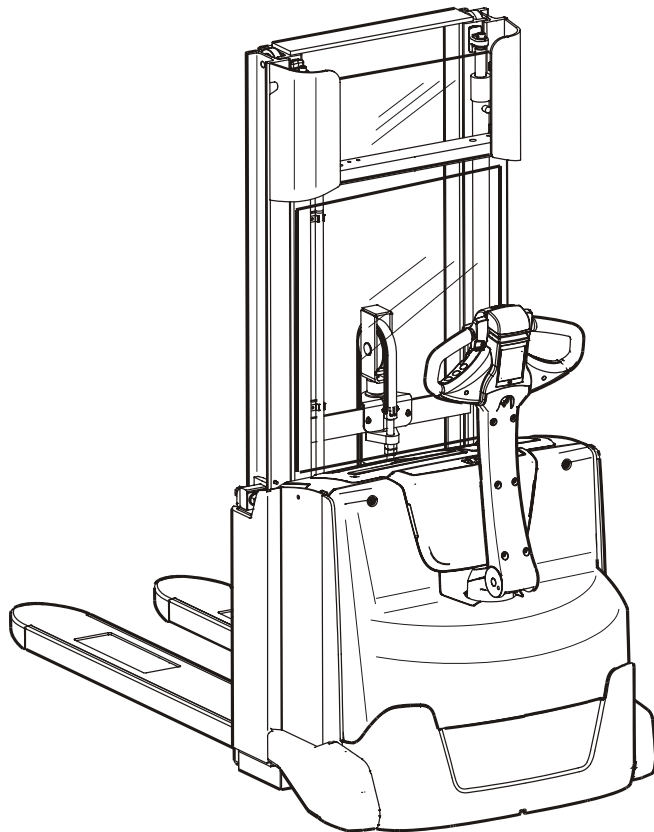
TOYOTA

Powered Pallet Stacker 8SM10 / 8SM12 / 8SM14

Valid for machine number: 6065409 -

Only valid for machine number:

--	--	--	--	--	--	--	--



Spare Parts Catalogue

Ordering number 7504168

Date 2008-11-17 / TP

CLICK HERE TO **DOWNLOAD** THE COMPLETE MANUAL

- Thank you very much for reading the preview of the manual.
- You can download the complete manual from: www.heydownloads.com by clicking the link below



- Please note: If there is no response to CLICKING the link, please download this PDF first and then click on it.

CLICK HERE TO **DOWNLOAD** THE COMPLETE MANUAL

0340-00702 Inspection covers

[2008-11-10]

Huvar, luckor; Hauben, Abdeckungen; Capots, couvercles;

Pos	Description	Pcs	Part No	Note
			841 8SM10 841 8SM12 841 8SM14	6061850 - 6061850 - 6061850 -
11	Screw Skruv; Schraube; Vis	4	230405	
12	Housing Kåpa; Haus; Chape	1	246448	
13	Housing Kåpa; Haus; Chape	1	246180	
14	Screw Skruv; Schraube; Vis	2	253621	
15	Velcro tape(Meter) Kardborreband(Meter); Klette-band(Meter); Ruban à raclettes(Metre)	1	220130	
16	Housing Kåpa; Haus; Chape	1	238419	
17	Screw Skruv; Schraube; Vis	2	253621	
18	Velcro tape Kardborreband; Klette-band; Ruban à raclettes	2	253603	
19	Housing Kåpa; Haus; Chape	1	238418	
20	Sign Skylt; Schild; Vignette	1	7500402	

0410-00003 Boom/mast fixing points

[2008-11-10]

Bom-/stativinfästning; Ausleger-/Grundbesfestigung; Points de fixation potence/mât;

Pos	Description	Pcs	Part No	Note
			841 8SM10 841 8SM12 841 8SM14	6061850 - 6061850 - 6061850 -
11	Screw Skruv; Schraube; Vis	2	254681	
12	Washer Bricka; Scheibe; Rondelle	2	7500936	
13	Washer Bricka; Scheibe; Rondelle	2	7500936	
14	Nut Mutter; Mutter; Ecrou	2	7500938	
15	Shim(T = 0,5 mm) Shims; Schim; Cale	1	257036	
15	Shim(T = 1,0 mm) Shims; Schim; Cale	1	257038	
15	Shim(T = 2mm) Shims; Schim; Cale	1	257040	
15	Shim(T = 3mm) Shims; Schim; Cale	1	257042	
16	Shim(T = 0,5 mm) Shims; Schim; Cale	1	257037	
16	Shim(T = 1,0 mm) Shims; Schim; Cale	1	257039	
16	Shim(T = 2mm) Shims; Schim; Cale	1	257041	
16	Shim(T = 3mm) Shims; Schim; Cale	1	257043	
17	Shim(T = 0,5 mm) Shims; Schim; Cale	2	257701-001	
17	Shim(T = 1,0 mm) Shims; Schim; Cale	2	257701-002	
18	Screw Skruv; Schraube; Vis	2	28334	
19	Washer Bricka; Scheibe; Rondelle	2	20228	

0820-00291 Finger/foot guards

[2008-11-10]

Finger-/fotskydd; Finger-/Fusschutz; Protection de doigts/pieds anti-écrasement;

<i>Simplex</i>		841 8SM10	6061850 -	
		841 8SM12	6061850 -	
		841 8SM14	6061850 -	
Pos	Description	Pcs	Part No	Note
11	Nut Mutter; Mutter; Ecrou	2	20433	
12	Bracket Fäste; Halterung; Support	2	253166	
13	Rivet Nit; Niet; Rivet	2	21671	
14	Screw Skruv; Schraube; Vis	2	243085	
15	Finger cover(H = 326 mm) Fingerskydd; Fingerschutz; Protège main	1	235914-002	
15	Finger cover(H = 422 mm) Fingerskydd; Fingerschutz; Protège main	1	235914-003	
15	Finger cover(H = 530 mm) Fingerskydd; Fingerschutz; Protège main	1	235914-004	
15	Finger cover(H = 686 mm) Fingerskydd; Fingerschutz; Protège main	1	235914-005	
15	Finger cover(H = 818 mm) Fingerskydd; Fingerschutz; Protège main	1	235914-006	
15	Finger cover(H = 926 mm) Fingerskydd; Fingerschutz; Protège main	1	235914-007	
15	Finger cover(H = 1070 mm) Fingerskydd; Fingerschutz; Protège main	1	235914-008	
15	Finger cover(H = 1142 mm) Fingerskydd; Fingerschutz; Protège main	1	235914-009	
15	Finger cover(H = 1322 mm) Fingerskydd; Fingerschutz; Protège main	1	235914-010	
15	Finger cover(H = 1562 mm) Fingerskydd; Fingerschutz; Protège main	1	235914-011	

0850-00509 Signs, warnings, decals

[2008-11-05]

Skyltar, varningar, dekaler; Schilder, Warnzeichen, Aufkleber; Vignettes, avertissements, autocollants;

Pos	Description	Pcs	Part No	Note
			841 8SM10 841 8SM12 841 8SM14	6061850 - 6061850 - 6061850 -
12	Sign Skylt; Schild; Vignette	2	259553	
13	Sign Skylt; Schild; Vignette	2	209365	
14	Sign Skylt; Schild; Vignette	1	121787-002	
15	Sign Skylt; Schild; Vignette	1	121786-002	
16	Sign Skylt; Schild; Vignette	2	7503341	SX / DX 1.0 ton
16	Sign Skylt; Schild; Vignette	2	7503342	SX / DX 1.2 ton
17	Sign Skylt; Schild; Vignette	2	7503336	DX 1.2 ton Lh = 1700 mm
18	Sign Skylt; Schild; Vignette	1	156698	Cold stores Fryshus; Gefrieranlage; Chambre frigorifique
18	Sign Skylt; Schild; Vignette	1	72082	
19	Sign Skylt; Schild; Vignette	1	161150	
20	Sign Skylt; Schild; Vignette	1	263568	8SM10
20	Sign Skylt; Schild; Vignette	1	263569	8SM12
20	Sign Skylt; Schild; Vignette	1	263570	8SM14
21	Sign Skylt; Schild; Vignette	2	172094	

3540-00113 Support/castor wheels

[2008-10-21]

Stöd-/länkhjul; Stützräder/Gelenkrollen; Roues stabilisatrices/pivotantes;

Pos	Description	Pcs	Part No	Note
			841 8SM10 841 8SM12 841 8SM14	6061850 - 6061850 - 6061850 -
01	Link wheel compl. Länkhjul kompl.; Gelenkrad kompl.; Roue articulée compl.	2	157946	Vulkollan
01	Link wheel compl. Länkhjul kompl.; Gelenkrad kompl.; Roue articulée compl.	2	254316	PUR
02	Wheel Hjul; Rad; Roue	2	156259	Vulkollan
02	Wheel Hjul; Rad; Roue	2	252735	PUR
11	Locking ring Spärring; Schliessring; Circlip	2	20008	
12	Washer Bricka; Scheibe; Rondelle	2	69550	
13	Bracket Fäste; Halterung; Support	2	135842	
14	Screw Skruv; Schraube; Vis	8	20044	
16	Bearing Lager; Lager; Roulement	2	28940	
17	Locking ring Spärring; Schliessring; Circlip	2	22759	
18	Screw Skruv; Schraube; Vis	2	20933	
19	Distance piece Distans; Distanz; Distance	2	136140	
20	Distance piece Distans; Distanz; Distance	4	24115	
21	Bearing Lager; Lager; Roulement	2	22226	
22	Protection Skydd; Schutz; Protègee	2	136138	
23	Nut Mutter; Mutter; Ecrou	2	20130	

4110-00549 Steering arm/wheel/lever

[2008-11-10]

Styr- arm/ratt/spak; Deichsel, Lenkrad/-hebel; Timon/volant/levier de direction;

			841 8SM12 841 8SM14	6061850 - 6061850 -
Pos	Description	Pcs	Part No	Note
11	Symbol plate(No function) Symbolplatta(Ingen funktion); Zeichenplatte(keine Funktion); Plaque de sym- bole(aucune fonction)	1	171583	
12	Symbol plate(No function) Symbolplatta(Ingen funktion); Zeichenplatte(keine Funktion); Plaque de sym- bole(aucune fonction)	1	171583	
13	Push-button(Complete) Tryckknapp(Komplett); Druckknopf(Komplett); Bouton(Complet)	1	171666	
14	Rocker Vippa; Kippe; Levier oscillant	1	203401	
15	Housing Kåpa; Haus; Chape	1	203399	
16	Screw Skruv; Schraube; Vis	2	213896	
17	Push-button(Complete) Tryckknapp(Komplett); Druckknopf(Komplett); Bouton(Complet)	1	220822	
18	Spring Fjäder; Feder; Ressort	1	167839	
19	Sealing Tätning; Dichtung; Joint	1	169910	
20	Spring Fjäder; Feder; Ressort	1	167836	
21	Housing Kåpa; Haus; Chape	1	167835	
22	Screw Skruv; Schraube; Vis	3	171707	
23	Sealing Tätning; Dichtung; Joint	1	167850	
24	Push-button(Left) Tryckknapp(Vänster); Druckknopf(Links); Bouton(Gauge)	1	167848	
25	Switch Brytare; Schalter; Rupteur	1	171655	
27	Cover(Transparent plastic) Lock(Plastglas); Deckel(Organisches glass); Couverture(Plastique transparent)	1	167823	
28	Sealing Tätning; Dichtung; Joint	1	169910	
29	Push-button(Right) Tryckknapp(Höger); Druckknopf(Recht); Bouton(Droit)	1	167847	
30	Switch Brytare; Schalter; Rupteur	1	171655	
31	Speed control Fartreglage; Geschwindigkeitsregler; Regulateur de vitesse	1	169911	
32	Cable tie Kablagehållare; Kabelabbinder; Frette de câblage	2	171734	
33	Screw Skruv; Schraube; Vis	2	171713	
34	Cable tie Kablagehållare; Kabelabbinder; Frette de câblage	2	171662	
35	Screw Skruv; Schraube; Vis	2	217576	
36	Screw Skruv; Schraube; Vis	4	213395	
37	Display Display; Display; Display	1	167832-003	
38	Screw Skruv; Schraube; Vis	4	220890	
39	Handle Handtag; Handgriff; Poignée.	1	202304	
40	Screw Skruv; Schraube; Vis	2	171706	

4110-00591 **Steering arm/wheel/lever**

[2008-11-10]

Styr- arm/ratt/spak; Deichsel, Lenkrad/-hebel; Timon/volant/levier de direction;

<i>With driver platform; Med förarplattform; Mit Fahrerplattform; Avec plate forme du conducteur</i>			841 8SM10 841 8SM12 841 8SM14	6061850 - 6061850 - 6061850 -
Pos	Description	Pcs	Part No	Note
11	Plate Plåt; Platte; Plaque	1	249043	
12	Screw Skruv; Schraube; Vis	2	254689	
13	Housing Kåpa; Haus; Chape	1	253131	
14	Steering arm Styrarm; Lenkarm; Bras direction	1	250241	
15	Screw Skruv; Schraube; Vis	6	254027	
16	Rubber buffer Gummibuffert; Gummipuffer; tampon en caoutchouc	1	243952	
17	Housing Kåpa; Haus; Chape	1	240661	
18	Screw Skruv; Schraube; Vis	1	253762	
19	Yoke Ok; Joch; Manchon	1	236916	
20	Screw Skruv; Schraube; Vis	1	254688	
21	Axle Axel; Achse; Axe	1	259501	
22	Screw Skruv; Schraube; Vis	3	254661	
23	Gas suspension Gasfjäder; Gasfederung; Suspension à gaz	1	254287	
24	Locking ring Spärring; Schliessring; Circlip	1	20308	
25	Rubber buffer Gummibuffert; Gummipuffer; tampon en caoutchouc	1	251548	
26	Bush Bussning; Bague; Bague	2	252661	
27	Support Hållare; Stossfänger; Absorber des chocs	1	7500316	
28	Locking pin Spännstift; Spannstift; Goupille	1	21091	
30	Axle Axel; Achse; Axe	1	241007	
31	Screw Skruv; Schraube; Vis	1	254689	
32	Sleeve Hylsa; Hülse; Douille	1	7500317	
34	Yoke Ok; Joch; Manchon	1	250420	
35	Screw Skruv; Schraube; Vis	4	254658	
36	Distance piece Distans; Distanz; Distance	1	259509	
37	Locking pin Spännstift; Spannstift; Goupille	2	22023	
38	Screw Skruv; Schraube; Vis	1	7500486	
39	Housing Kåpa; Haus; Chape	1	250249	
40	Support Hållare; Stossfänger; Absorber des chocs	1	7500984	

CLICK HERE TO **DOWNLOAD** THE COMPLETE MANUAL

- Thank you very much for reading the preview of the manual.
- You can download the complete manual from: www.heydownloads.com by clicking the link below



- Please note: If there is no response to CLICKING the link, please download this PDF first and then click on it.

CLICK HERE TO **DOWNLOAD** THE COMPLETE MANUAL

5590-00389 Work function harnesses/fuse

[2008-10-21]

Arbeitsfunktionskablage/-säkring; Steuerstromverkabelung/-sicherung; Câblage/fusible fonction de travail;

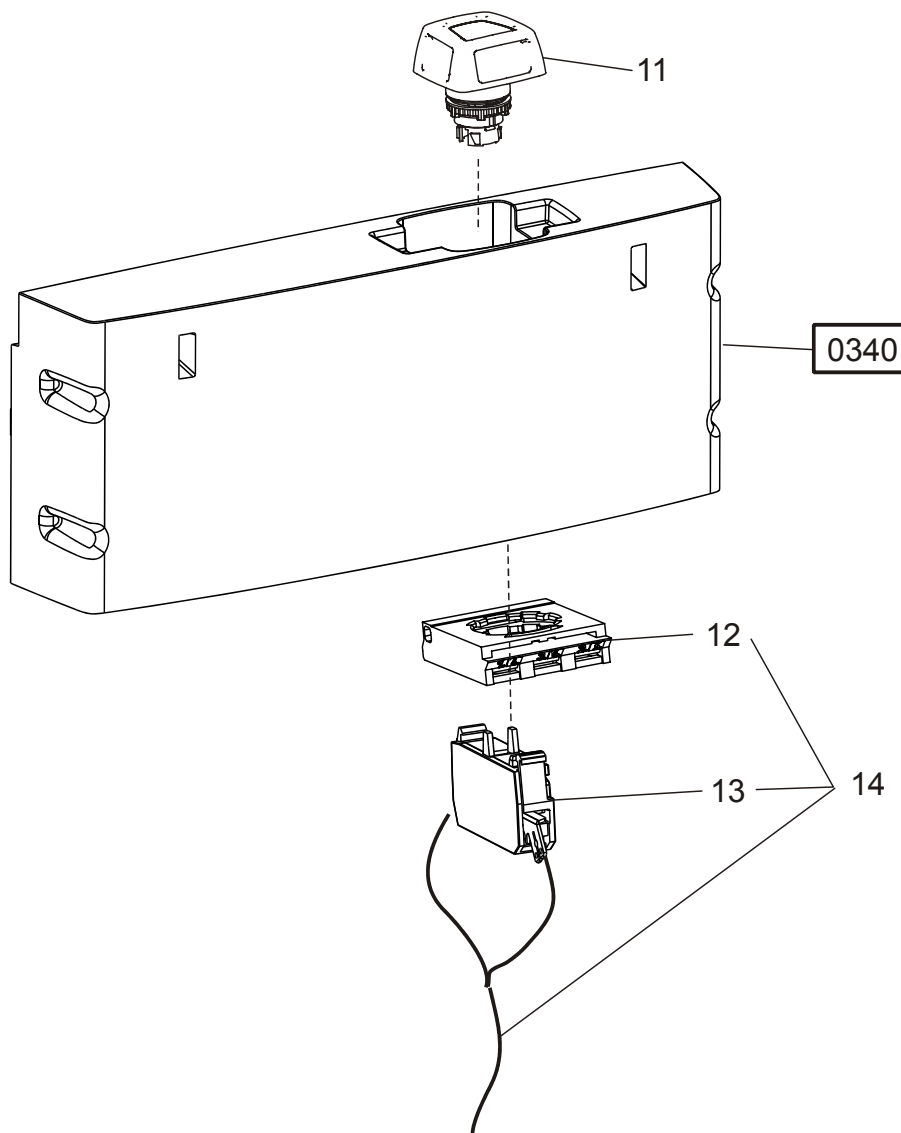
Pos	Description	Pcs	Part No	Note
			841 8SM12 841 8SM14	6061850 - 6061850 -
11	Fuse holder Säkringshållare; Sicherungshalter; Porte-fusibles	1	246809	
12	Fuse(7,5A) Säkring; Sicherung; Fusible	1	122308-075	F50
13	Housing Kåpa; Haus; Chape	1	247156	
14	Fuse holder Säkringshållare; Sicherungshalter; Porte-fusibles	1	246809	
15	Fuse(7,5A) Säkring; Sicherung; Fusible	1	122308-075	F51
16	Housing Kåpa; Haus; Chape	1	247156	
17	Support Hållare; Stossfänger; Absorber des chocs	1	247218	
18	Cable pit Kabelkanal; Kabelkanal; Tube gaine pour câbles	1	254650	
19	Wiring harness complete(Main) Kablage komplett(Huvud); Kabelsatz Komplett(Haubt); Câblage complet(Principal)	1	237576	
20	Bracket Fäste; Halterung; Support	6	251113	

5820-00301 Lift/lowering/reach movement probes/sensors

[2008-11-10]

Lyft-/sänk-/skjutrörelse-givare/-sensor; Hub-/Senk-/Schubgeber/-sensor; Capteurs de levage/
descente/rétraction;

<i>Duplex Tele</i>		841 8SM10	6061850 -	
Pos	Description	Pcs	Part No	Note
11	Wiring harness Kablage; Kabelsatz; Cåblage	1	261930-002	
12	Screw Skruv; Schraube; Vis	4	177005	
13	Sensor Givare; Geber; Capteur	2	243770	
14	Bracket Fäste; Halterung; Support	1	250360	
15	Nut Mutter; Mutter; Ecrou	4	25699	
16	Screw Skruv; Schraube; Vis	2	261915	
17	Nut Mutter; Mutter; Ecrou	2	20081	
18	Washer Bricka; Scheibe; Rondelle	2	20404	



5830-00211 Safety probes/sensors

[2008-11-10]

Säkerhets-givare/-sensor; Sicherheitsgeber/-sensor; Capteurs de sécurité;

Pos	Description	Pcs	Part No	Note
11	Push-button Tryckknapp; Druckknopf; Bouton	1	254380	
12	Support Hållare; Stossfänger; Absorber des chocs	1	238957	
13	Contact device Kontaktblock; Kontakteinheit; Unite de contact	1	233772	
14	Wiring harness Kablage; Kabelsatz; Câblage	1	255378	

6320-00429 Mast hydraulic lines

[2008-11-10]

Stativhydraulledningar; Hydraulikleitungen Hubeinrichtung; Circuits hydrauliques mât;

<i>Duplex Hi - Lo</i>		841 8SM12 841 8SM14	6061850 - 6061850 -	
Pos	Description	Pcs	Part No	Note
11	Hose Slang; Schlauch; Tuyau flexible	1	246291-250	
11	Hose Slang; Schlauch; Tuyau flexible	1	246291-300	
11	Hose Slang; Schlauch; Tuyau flexible	1	246291-400	
11	Hose Slang; Schlauch; Tuyau flexible	1	246291-455	
11	Hose Slang; Schlauch; Tuyau flexible	1	246291-500	
12	Support Hållare; Stossfänger; Absorber des chocs	3	258647	
13	Hose break valve Slangbrottventil; Schlauchbruchventil; Valve de gonflement (rupture)	1	254249-003	
14	Hose break valve Slangbrottventil; Schlauchbruchventil; Valve de gonflement (rupture)	1	254249-001	
15	Hose Slang; Schlauch; Tuyau flexible	1	253020	
16	Connection Koppling; Kupplung; Raccord	1	256486	
17	Hose break valve Slangbrottventil; Schlauchbruchventil; Valve de gonflement (rupture)	1	254249-001	
18	Hose Slang; Schlauch; Tuyau flexible	1	251110	

6610-00264 Main lift cylinders

[2008-11-10]

Huvudlyftcylindrar; Haupthubzylinder; Vérin de levage principal;

Duplex Hi - Lo		841 8SM12 841 8SM14	6061850 - 6061850 -	
Pos	Description	Pcs	Part No	Note
11	Connection Koppling; Kupplung; Raccord	1	241609	
12	Sleeve(Complete) Hylsa(Komplett); Hülse(Komplett); Douille(Complet)	1	258920	
13	Plug Plugg; Pfropf; Bouchon	1	231307	
14	Lifting cylinder compl Lyftcylinder kompl.; Hubzylinder Kompl.; Verin de levage compl.	1	235922-001	
14	Lifting cylinder compl Lyftcylinder kompl.; Hubzylinder Kompl.; Verin de levage compl.	1	235922-002	
14	Lifting cylinder compl Lyftcylinder kompl.; Hubzylinder Kompl.; Verin de levage compl.	1	235922-003	
14	Lifting cylinder compl Lyftcylinder kompl.; Hubzylinder Kompl.; Verin de levage compl.	1	235922-004	
14	Lifting cylinder compl Lyftcylinder kompl.; Hubzylinder Kompl.; Verin de levage compl.	1	235922-005	
15	Packing set Packningssats; Packungssatz; Jeux d' étanchéité.	1	258921	
16	Sleeve(Complete) Hylsa(Komplett); Hülse(Komplett); Douille(Complet)	1	258920	
17	Plug Plugg; Pfropf; Bouchon	1	231307	
18	Lifting cylinder compl Lyftcylinder kompl.; Hubzylinder Kompl.; Verin de levage compl.	1	235921-001	
18	Lifting cylinder compl Lyftcylinder kompl.; Hubzylinder Kompl.; Verin de levage compl.	1	235921-002	
18	Lifting cylinder compl Lyftcylinder kompl.; Hubzylinder Kompl.; Verin de levage compl.	1	235921-003	
18	Lifting cylinder compl Lyftcylinder kompl.; Hubzylinder Kompl.; Verin de levage compl.	1	235921-004	
18	Lifting cylinder compl Lyftcylinder kompl.; Hubzylinder Kompl.; Verin de levage compl.	1	235921-005	
19	Packing set Packningssats; Packungssatz; Jeux d' étanchéité.	1	258921	

7120-00556 Main lift chain system

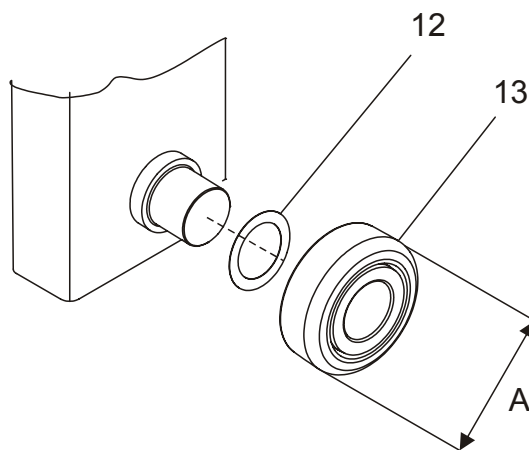
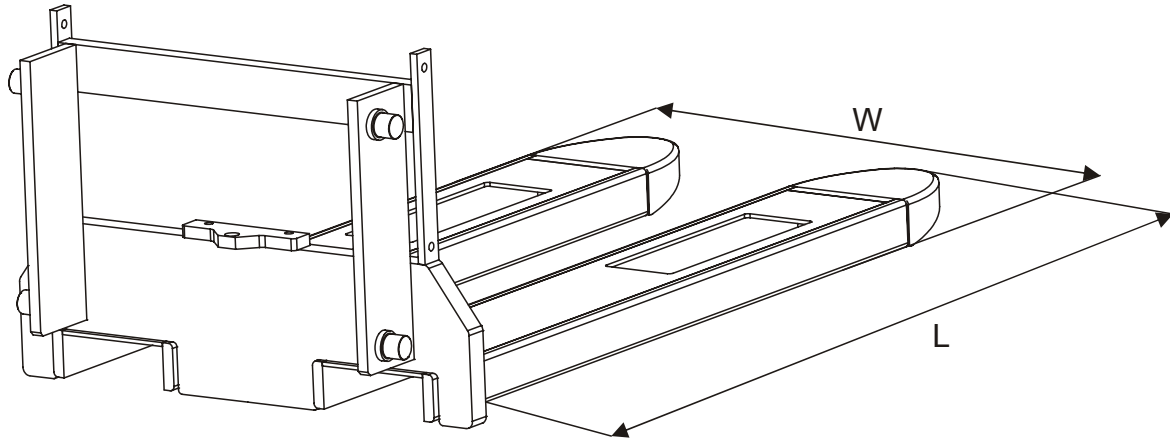
[2008-10-21]

Huvudlyftkedjesystem; Haupthubkettensystem; Système de chaîne de levage mâtr principal;

Duplex Hi - Lo		841 8SM12 841 8SM14	6061850 - 6061850 -	
Pos	Description	Pcs	Part No	Note
11	Chain yoke Kedjeok; Kettenjoch; Manchon porte chaine	1	235940	
12	Roller (Complete) Rulle (Komplett); Rolle (Komplett); Roleau (Complet)	1	246288	
13	Axle Axel; Achse; Axe	1	246126	
14	Bracket Fäste; Halterung; Support	1	237738	
15	Screw Skruv; Schraube; Vis	2	22059	
20	Chain complete Kedja komplett; Ketten komplett ; Chaîne complete	1	235866-057	
20	Chain complete Kedja komplett; Ketten komplett ; Chaîne complete	1	235866-059	
20	Chain complete Kedja komplett; Ketten komplett ; Chaîne complete	1	235866-065	
20	Chain complete Kedja komplett; Ketten komplett ; Chaîne complete	1	235866-071	
20	Chain complete Kedja komplett; Ketten komplett ; Chaîne complete	1	235866-077	
21	Washer Bricka; Scheibe; Rondelle	1	21431	
22	Nut Mutter; Mutter; Ecrou	1	20528	
23	Nut Mutter; Mutter; Ecrou	1	20528	
25	Nut Mutter; Mutter; Ecrou	2	246283	
26	Cotter pin Saxpinne; Gespalter stift; Goupille fendue	1	20312	
27	Locking pin Spännstift; Spannstift; Goupille	1	20227	
28	Screw Skruv; Schraube; Vis	2	243085	
29	Bracket Fäste; Halterung; Support	1	240367	
30	Bracket Fäste; Halterung; Support	1	146218	
31	Nut Mutter; Mutter; Ecrou	1	20528	
32	Nut Mutter; Mutter; Ecrou	1	20528	
33	Cotter pin Saxpinne; Gespalter stift; Goupille fendue	1	20312	

7420-00724

P0031564



7420-00724 Fork carriage unit, integrated sideshift, fork spread

[2008-10-21]

Gaffelvagn med sideshift/gaffelspridning; Gabelwagen/-mit Seitenschieber/Zinkenverstellung;
 Tablier porte-fourches/de déplacement latéral, écarteur de fourche intégré;

Simplex			841 8SM10	6061850 -
Pos	Description	Pcs	Part No	Note
12	Shim(30 x 42 x 0,2) Shims; Schim; Cale	1	21882	
12	Shim(30 x 42 x 0,3) Shims; Schim; Cale	1	21883	
12	Shim(30 x 42 x 0,5) Shims; Schim; Cale	1	21884	
12	Shim(30 x 42 x 1,0) Shims; Schim; Cale	1	21885	
13	Roller (Complete)(A = 70 mm) Rulle (Komplett); Rolle (Komplett); Roleau (Comple)	4	253604-001	
13	Roller (Complete)(A = 70,5 mm) Rulle (Komplett); Rolle (Komplett); Roleau (Comple)	4	253604-002	

9400-00317 Extra electrical equipment

[2008-11-10]

Extra elektrisk utrustning; Elektrische Zusatzausrüstung; Equipement électrique supplémentaire;

<i>Power hook-up; Extra strömuttag; Extra strom abnehmen; Extra, emprunt de courant</i>		841 8SM10	6061850 -	
		841 8SM12	6061850 -	
		841 8SM14	6061850 -	
Pos	Description	Pcs	Part No	Note
11	Contact Kontakt; Kontakt; Contact	1	234820	
12	Plate Plåt; Platte; Plaque	2	257893	
13	Screw Skruv; Schraube; Vis	4	253762	
14	Box Låda; Büchse; Boite	1	255803	
15	Plate Plåt; Platte; Plaque	2	257767	
16	Wiring harness Kablage; Kabelsatz; Câblage	1	255379	
17	Fuse holder Säkringshållare; Sicherungshalter; Porte-fusibles	1	246809	
18	Housing Kåpa; Haus; Chape	1	247156	
19	Fuse(10A) Säkring; Sicherung; Fusible	1	122308-100	
20	Screw Skruv; Schraube; Vis	3	243084	
21	Plate Plåt; Platte; Plaque	1	252332	
22	Nut Mutter; Mutter; Ecrou	3	20433	
24	Convertor(12V) Omformare; Konvertier geräte; Convertisseur	1	149201-003	
24	Convertor(24V) Omformare; Konvertier geräte; Convertisseur	1	149201-004	
25	Nut Mutter; Mutter; Ecrou	4	25699	
26	Screw Skruv; Schraube; Vis	4	243090	

CLICK HERE TO **DOWNLOAD** THE COMPLETE MANUAL

- Thank you very much for reading the preview of the manual.
- You can download the complete manual from: www.heydownloads.com by clicking the link below



- Please note: If there is no response to CLICKING the link, please download this PDF first and then click on it.

CLICK HERE TO **DOWNLOAD** THE COMPLETE MANUAL