

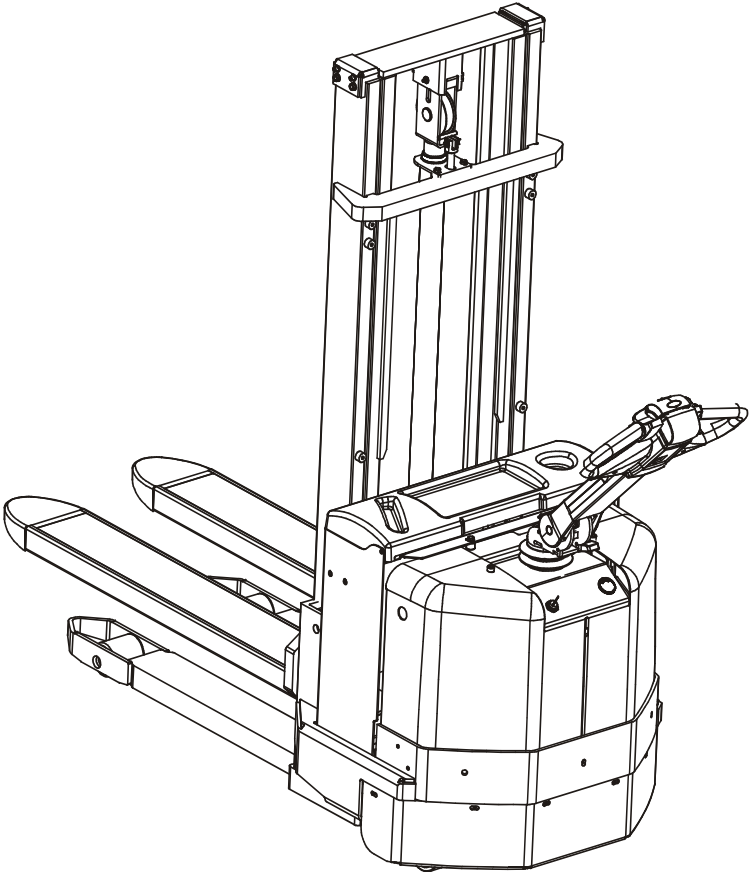
TOYOTA

Powered Pallet Stacker 7SM10 / 7SM12

Valid for machine number: 723981 -

Only valid for machine number:

--	--	--	--	--	--	--	--



Spare Parts Catalogue

Ordering number219211

Date2004-10-04/ITS

CLICK HERE TO **DOWNLOAD** THE COMPLETE MANUAL

- Thank you very much for reading the preview of the manual.
- You can download the complete manual from: www.heydownloads.com by clicking the link below



- Please note: If there is no response to CLICKING the link, please download this PDF first and then click on it.

CLICK HERE TO **DOWNLOAD** THE COMPLETE MANUAL

0340-00290 Inspection covers

[2002-03-08]

Huvar, luckor; Hauben, Abdeckungen; Capots, couvercles;

Pos	Description	Pcs	Part No	Note
11	Screw Skruv; Schraube; Vis	2	174892	
12	Washer Bricka; Scheibe; Rondelle	2	174893	
13	Nut Mutter; Mutter; Ecrou	2	28931	
14	Cover(Orange) Huv; Haube; Capot	1	172999-031	
15	Cover(Orange) Huv; Haube; Capot	1	172998-031	

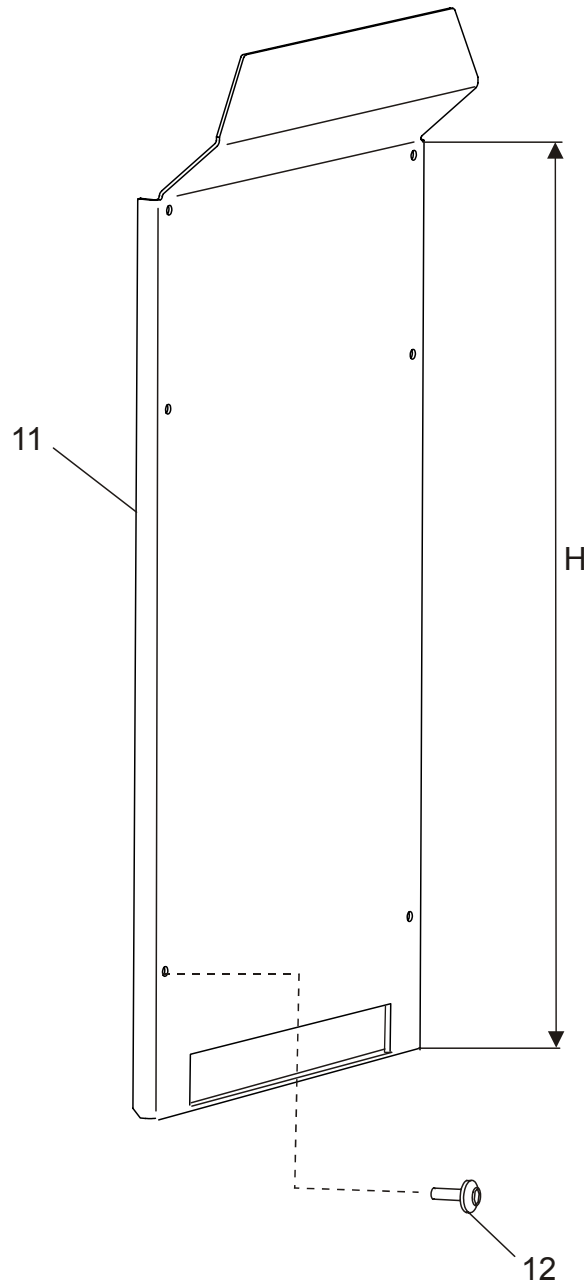
0450-00058 Motor fixing points

[2004-06-16]

Motorupphängning/-fästen; Motoraufhängung/Halterung; Points de fixation moteur;

Pos	Description	Pcs	Part No	Note
			700 7 SM10 700 7 SM12	437050 - 437050 -
11	Screw Skruv; Schraube; Vis	2	28936	
12	Plate Plåt; Platte; Plaque	1	156704	
13	Spring(Complete) Fjäder(Komplett); Feder(Komplett); Ressort(Complet)	2	147035	
15	Locking ring Spärring; Schliessring; Circlip	6	24000	
16	Consol Konsol; Konsole; Console	1	162877	
17	Washer Bricka; Scheibe; Rondelle	8	126723-013	
18	Screw Skruv; Schraube; Vis	2	21820	
19	Clip nut Låsclips; Schlitzmutter; Tôle de ecrou	1	171485	
20	Screw Skruv; Schraube; Vis	1	20050	
21	Axle Axel; Achse; Axe	1	172980	
22	Screw Skruv; Schraube; Vis	2	21820	
23	Bush Bussning; Bague; Bague	4	164092	
24	Bush Bussning; Bague; Bague	2	164090	
25	Torsion tube Vridrör; Drehrohr; Levier de triangle	1	162878	
26	Bush Bussning; Bague; Bague	2	164091	
27	Axle Axel; Achse; Axe	2	162882	
28	Motor bracket Motorfäste; Motorhalterung; Moteur de Support	1	183435	
29	Washer(0,5 mm) Bricka; Scheibe; Rondelle	2	163013-001	0,5mm
29	Washer(1 mm) Bricka; Scheibe; Rondelle	2	163013-002	1 mm
30	Link Länk; Gelenk; Bras	2	162880	

0820-00184



0820-00184 Finger/foot guards

[2004-10-01]

Finger-/fotskydd; Finger-/Fusschutz; Protection de doigts/pieds anti-écrasement;

Battery change device; Batteribytesanordning; Batteriewechselsvorrichtung; Dispositif de changement de batterie			700 7 SM12	570989 -
Pos	Description	Pcs	Part No	Note
11	Finger cover(H = 848,5 mm) Fingerskydd; Fingerschutz; Protège main	1	210822-001	Hilo
11	Finger cover(H = 1153,5 mm) Fingerskydd; Fingerschutz; Protège main	1	210822-002	Hilo
11	Finger cover(H = 1353,5 mm) Fingerskydd; Fingerschutz; Protège main	1	210822-003	Hilo
11	Finger cover(H = 953,5 mm) Fingerskydd; Fingerschutz; Protège main	1	210822-004	Hilo
11	Finger cover(H = 1578,5 mm) Fingerskydd; Fingerschutz; Protège main	1	210822-010	Hilo
12	Screw Skruv; Schraube; Vis	6	29544	

CLICK HERE TO **DOWNLOAD** THE COMPLETE MANUAL

- Thank you very much for reading the preview of the manual.
- You can download the complete manual from: www.heydownloads.com by clicking the link below



- Please note: If there is no response to CLICKING the link, please download this PDF first and then click on it.

CLICK HERE TO **DOWNLOAD** THE COMPLETE MANUAL

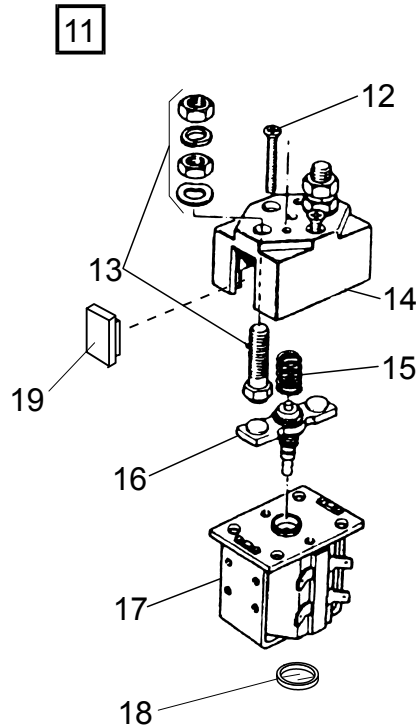
4110-00342 Steering arm/wheel/lever

[2004-10-01]

Styr- arm/ratt/spak; Deichsel, Lenkrad/-hebel; Timon/volant/levier de direction;

Without driver platform; Utan förarplattform; Ohne Fahrerplattform; Sans plate forme du conducteur		700 7 SM10 700 7 SM12	723981 - 723981 -	
Pos	Description	Pcs	Part No	Note
13	Push-button(Complete) Tryckknapp(Komplett); Druckknopf(Komplett); Bouton(Complet)	1	171666	Front Främre; Vordere; Avant
14	Push-button(Complete) Tryckknapp(Komplett); Druckknopf(Komplett); Bouton(Complet)	1	171664	Switch for safety reversing Brytare för säkerhetsreversering; Sicherheitsrücklaufschalter; Bouton rouge anti-écrasement
15	Push-button(Complete) Tryckknapp(Komplett); Druckknopf(Komplett); Bouton(Complet)	1	171665	upper övre; obere; supérieur
18	Screw Skruv; Schraube; Vis	2	171708	
19	Washer Bricka; Scheibe; Rondelle	2	171710	
20	Rocker(Left) Vippa(Vänster); Kippe(Links); Levier oscillant(Gauche)	1	167841	
21	Bearing Lager; Lager; Roulement	2	167846	
22	Support Hållare; Stossfänger; Absorber des chocs	2	167844	
23	Spring Fjäder; Feder; Ressort	1	167840	
24	Axle Axel; Achse; Axe	1	167843	
25	Arm Arm; Arm; Bras	1	167845	
26	Stop lug Stoppklack; Anslagsstück; Arrêter	1	167830	
27	Rocker(Right) Vippa(Höger); Kippe(Recht); Levier oscillant(Droit)	1	167842	
28	Electronic card(Including software) Elektronikkort(Inklusive programvara); Elektronikkarte(Inklusive software); Carte électronique(Compris logiciel)	1	201405-104	
29	Spring Fjäder; Feder; Ressort	1	167839	
30	Housing Kåpa; Haus; Chape	1	167835	
31	Spring Fjäder; Feder; Ressort	1	167836	
32	Housing Kåpa; Haus; Chape	1	167822	
33	Push-button(Left) Tryckknapp(Vänster); Druckknopf(Links); Bouton(Gauche)	1	167848	Horn Signalhorn; Signal; Signal
34	Cover(Transparent plastic) Lock(Plastglas); Deckel(Organisches glass); Couvercle(Plastique transparent)	1	167823	
35	Sealing Tätning; Dichtung; Joint	1	169910	
36	Push-button(Right) Tryckknapp(Höger); Druckknopf(Recht); Bouton(Droit)	1	167847	Horn Signalhorn; Signal; Signal
37	Sealing Tätning; Dichtung; Joint	1	167850	
38	Cover Lock; Deckel; Couvercle	1	171659	
38	Cover(Incl. keypad) Lock(Inkl. tangentbord); Deckel(Inkl. Tastatur); Couvercle(Incl. Tablette à clefs)	1	171660	
39	Screw Skruv; Schraube; Vis	3	171707	
40	Screw Skruv; Schraube; Vis	1	171709	
41	Switch Brytare; Schalter; Rupteur	2	171655	
42	Cable tie Kablagehållare; Kabelabbinder; Frette de câblage	2	171734	

5190-00029



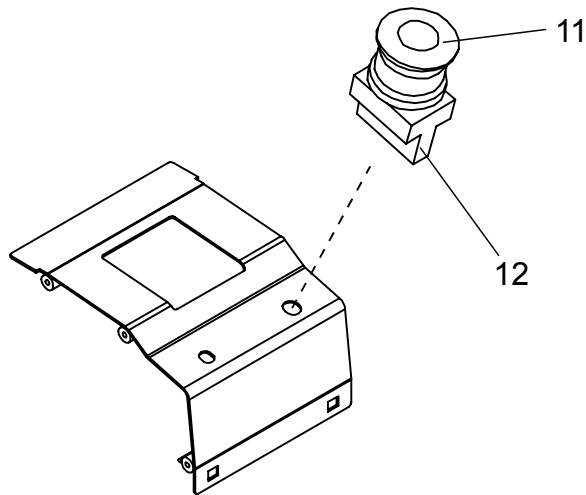
5190-00029 Battery cut out connector/contactor

[2004-08-26]

Batterifrånskiljare, huvudkontaktör; Batterietrennung, Hauptkontaktör; Coupe-circuit de batterie, contacteur;

Pos	Description	Pcs	Part No	Note
11	Contactor compl. Kontaktör kompl.; Kontaktör kompl.; Contacteur compl.	1	177911	
12	Screw Skruv; Schraube; Vis	2	154549	
13	Fixed contact(Complete) Fast kontakt(Komplett); Fester Kontakt(Komplett); Contact fixé(Complet)	2	173916	
14	Housing Kåpa; Haus; Chape	1	154550	
15	Spring Fjäder; Feder; Ressort	1	161484	
16	Contact Kontakt; Kontakt; Contact	1	173917	
17	Magnetic coil Magnetspole; Magnetspule; Bobine électrique	1	173918	
18	Housing Kåpa; Haus; Chape	1	165416	
19	Housing Kåpa; Haus; Chape	1	177914	

5830-00067



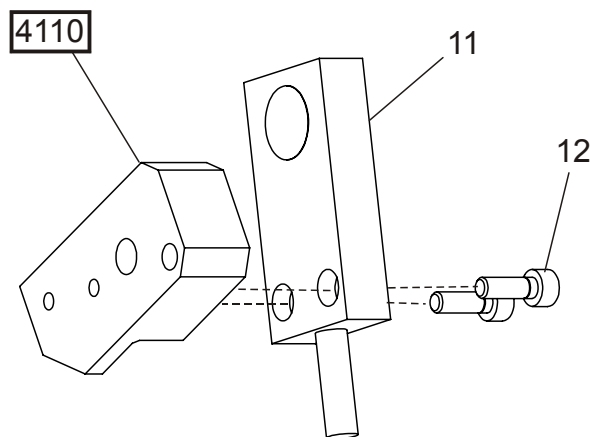
5830-00067 Safety probes/sensors

[2004-08-24]

Säkerhets-givare/-sensor; Sicherheitsgeber/-sensor; Capteurs de sécurité;

Pos	Description	Pcs	Part No	Note
			700 7 SM10 700 7 SM12	440950 - 440950 -
11	Push-button(Red) Tryckknapp(Röd); Druckknopf(Rot); Bouton(Rouge)	1	155567	
12	Contact device Kontaktblock; Kontakteinheit; Unite de contact	1	155568	

5830-00148



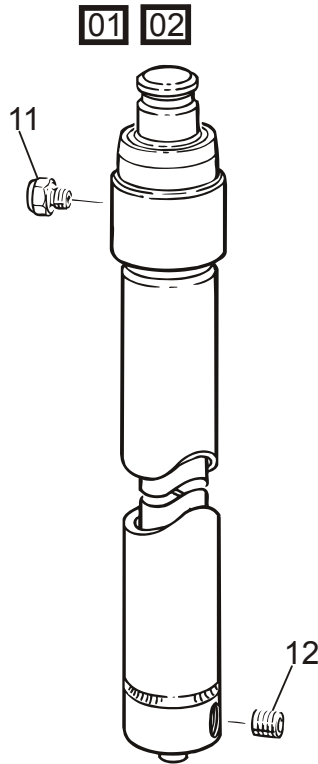
5830-00148 Safety probes/sensors

[2004-10-01]

Säkerhets-givare/-sensor; Sicherheitsgeber/-sensor; Capteurs de sécurité;

Pos	Description	Pcs	Part No	Note
			700 7 SM10 700 7 SM12	723981 - 723981 -
11	Sensing device Induktivgivare; Fühler; Emetteur	1	212481-050	
12	Screw Skruv; Schraube; Vis	2	20725	

6610-00090



6610-00090 Main lift cylinders

[2004-06-16]

Huvudlyftcylindrar; Haupthubzylinder; Vérin de levage principal;

Duplex Tele		700 7 SM12	437050 -	
Pos	Description	Pcs	Part No	Note
01	Lifting cylinder compl Lyftcylinder kompl.; Hubzylinder Kompl.; Verin de levage compl.	1	144690-002	H3 = 2350 mm
01	Lifting cylinder compl Lyftcylinder kompl.; Hubzylinder Kompl.; Verin de levage compl.	1	144690-004	H3 = 2200 mm
01	Lifting cylinder compl Lyftcylinder kompl.; Hubzylinder Kompl.; Verin de levage compl.	1	144690-005	H3 = 2700 mm
01	Lifting cylinder compl Lyftcylinder kompl.; Hubzylinder Kompl.; Verin de levage compl.	1	144690-006	H3 = 3300 mm
01	Lifting cylinder compl Lyftcylinder kompl.; Hubzylinder Kompl.; Verin de levage compl.	1	144690-007	H3 = 3700 mm
01	Lifting cylinder compl Lyftcylinder kompl.; Hubzylinder Kompl.; Verin de levage compl.	1	144690-009	H3 = 2900 mm
02	Packing set Packningssats; Packungssatz; Jeux d' étanchéité.	1	129165	
11	Air bleeder Luftventil; Luftnippel; Soupape (air)	1	25299	
12	Valve Ventil; Ventil; Soupape	1	25150	

9400-00054 Extra electrical equipment

[2002-03-12]

Extra elektrisk utrustning; Elektrische Zusatzausrüstung; Equipement électrique supplémentaire;

Pos	Description	Pcs	Part No	Note
			700 7 SM10 700 7 SM12	437050 - 437050 -
11	Battery charger(Complete) Batteriladdare(Komplett); Batterieladevorrichtung(Komplett); Chargeur (batterie)(Complett)	1	175194	
12	Contact Kontakt; Kontakt; Contact	1	177322	
13	Wiring harness Kablage; Kabelsatz; Câblage	1	164872	
14	Screw Skruv; Schraube; Vis	3	28835	
15	Washer Bricka; Scheibe; Rondelle	1	20375	
16	Screw Skruv; Schraube; Vis	1	21503	
17	Fan Fläkt; Kühlgebläse; Ventilateur	1	164871	
18	Battery charger Batteriladdare; Batterieladevorrichtung; Chargeur (batterie)	1	180512-001	
19	Fuse(6,3 A) Säkring; Sicherung; Fusible	1	28302	
20	Distance piece Distans; Distanz; Distance	4	27022	
21	Cover(Orange) Huv; Haube; Capot	1	175019-031	
22	Sign Skylt; Schild; Vignette	1	164927	
24	List(Meter) List(Meter); Leiste(Meter); Bande(Metre)	1	21762	

CLICK HERE TO **DOWNLOAD** THE COMPLETE MANUAL

- Thank you very much for reading the preview of the manual.
- You can download the complete manual from: www.heydownloads.com by clicking the link below



- Please note: If there is no response to CLICKING the link, please download this PDF first and then click on it.

CLICK HERE TO **DOWNLOAD** THE COMPLETE MANUAL